

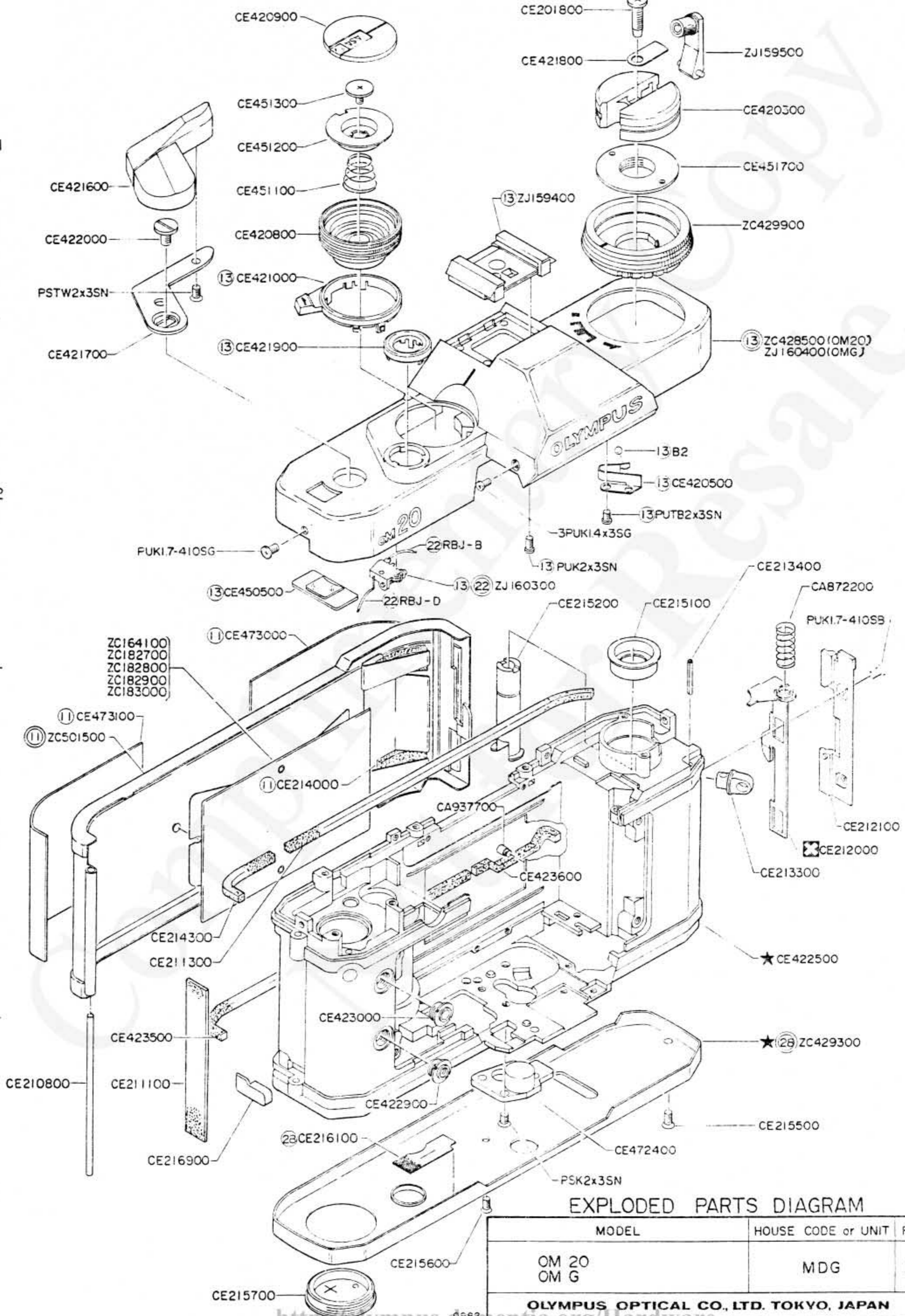
A | B | C | D

1

2

3

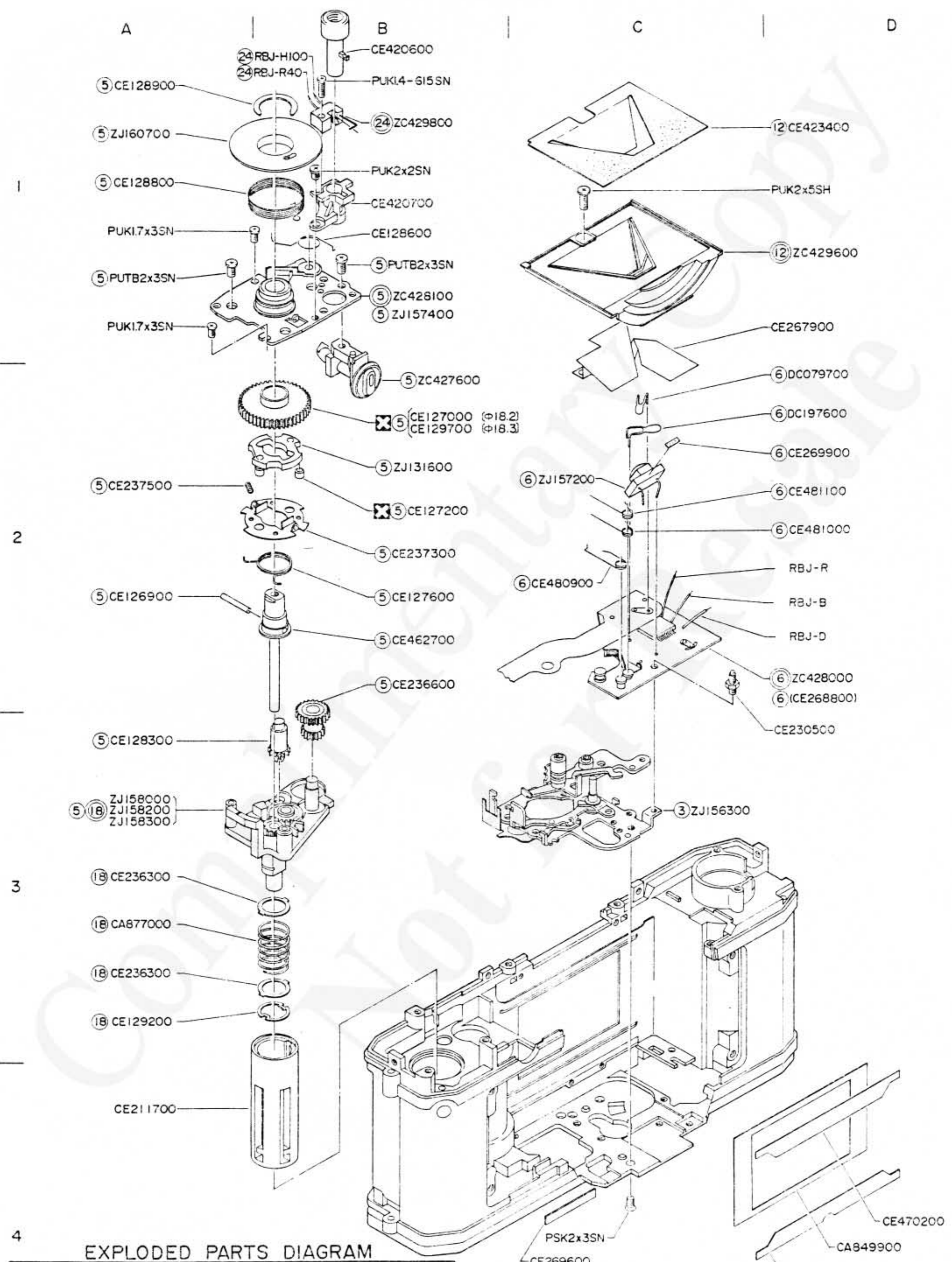
4



EXPLODED PARTS DIAGRAM

MODEL	HOUSE CODE or UNIT	FIG.
OM 20 OM G	MDG	1/8
OLYMPUS OPTICAL CO., LTD. TOKYO, JAPAN		

NOTE: WHEN ORDERING FOR SPARE PARTS, PLEASE CLARIFY A MODEL or HOUSE CODE, PARTS NUMBER AND QUANTITY.



EXPLODED PARTS DIAGRAM

MODEL	HOUSE CODE or UNIT	FIG.
OM 20 OM G	MDG	2/8
OLYMPUS OPTICAL CO., LTD. TOKYO, JAPAN		

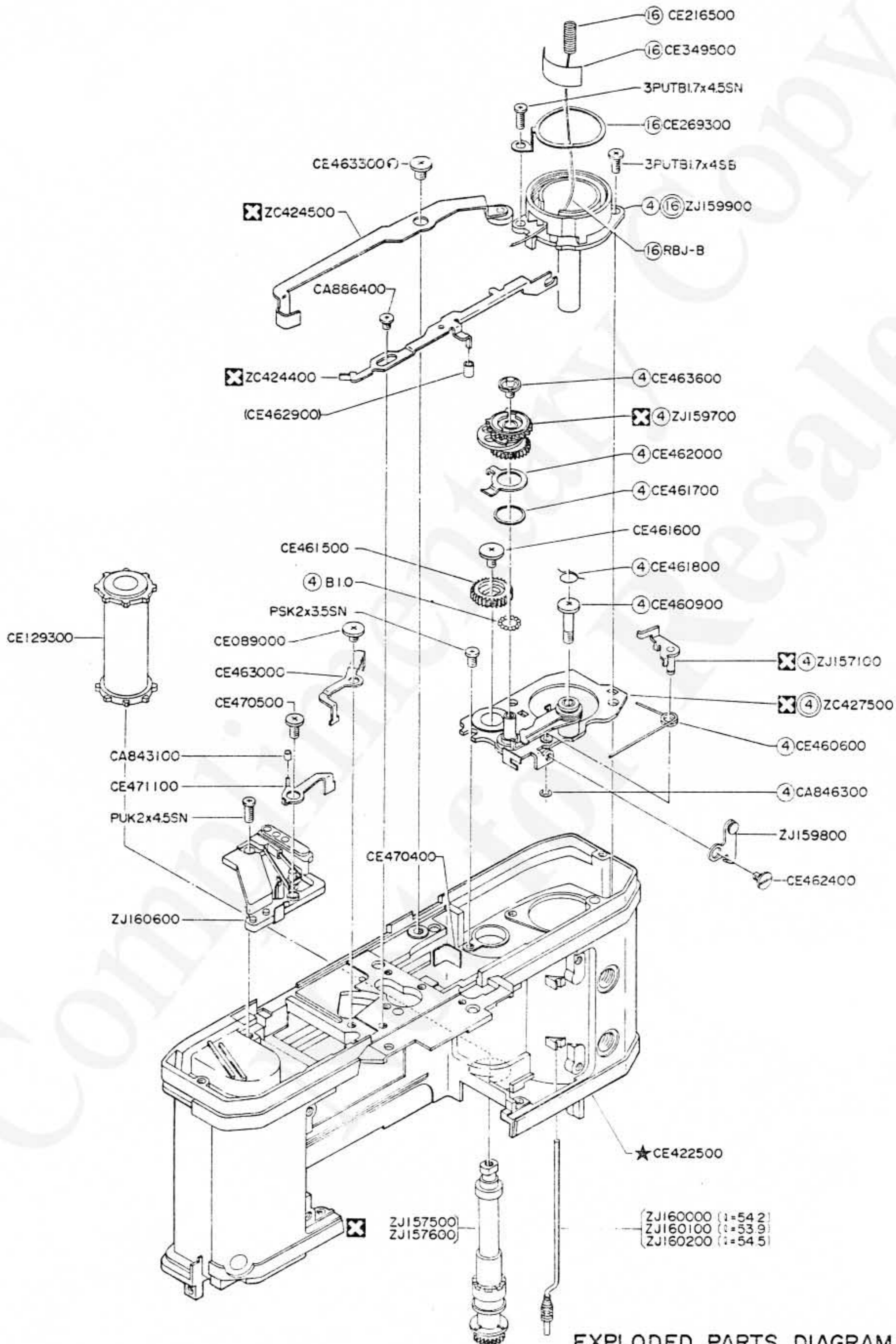
NOTE: WHEN ORDERING FOR SPARE PARTS, PLEASE CLARIFY A MODEL or HOUSE CODE, PARTS NUMBER AND QUANTITY.

A

B

C

D



EXPLODED PARTS DIAGRAM

MODEL	HOUSE CODE or UNIT	FIG.
OM 20 OM G	MDG	3/8
OLYMPUS OPTICAL CO., LTD. TOKYO, JAPAN		

<http://olympus.dementia.com>

0982

NOTE: WHEN ORDERING FOR SPARE PARTS, PLEASE CLARIFY A MODEL or HOUSE CODE, PARTS NUMBER AND QUANTITY.

A

B

C

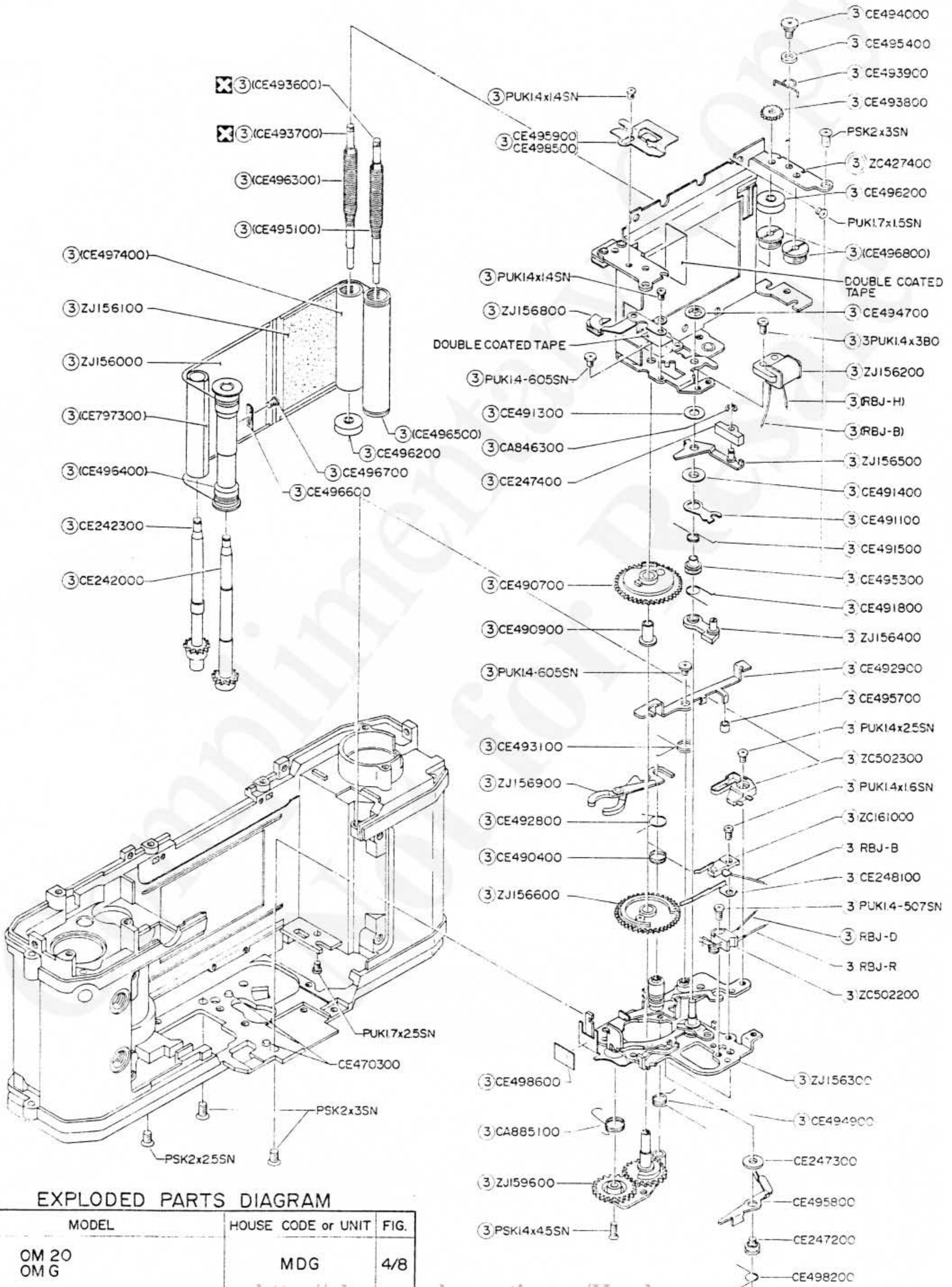
D

1

2

3

4



EXPLODED PARTS DIAGRAM

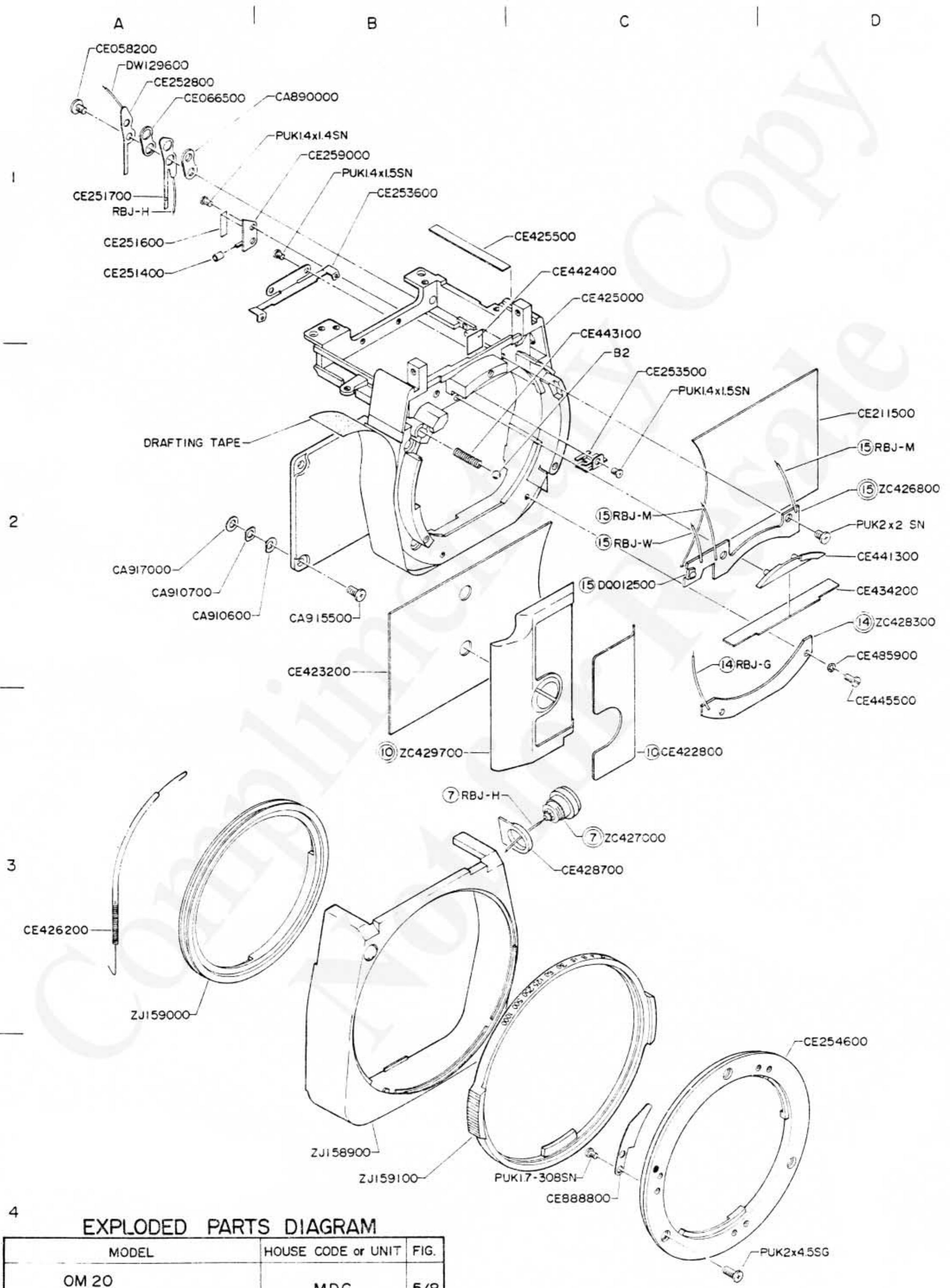
MODEL	HOUSE CODE or UNIT	FIG.
OM 20 OM G	MDG	4/8

OLYMPUS OPTICAL CO., LTD. TOKYO, JAPAN

0982

<http://olympus.dementia.org/Hardware>

NOTE: WHEN ORDERING FOR SPARE PARTS PLEASE CLARIFY A MODEL or HOUSE CODE, PARTS NUMBER, AND QUANTITY.



EXPLODED PARTS DIAGRAM

MODEL	HOUSE CODE or UNIT	FIG.
OM 20 OM G	MDG	5/8
OLYMPUS OPTICAL CO., LTD. TOKYO, JAPAN		

pusdementia.org/Hardware

0982

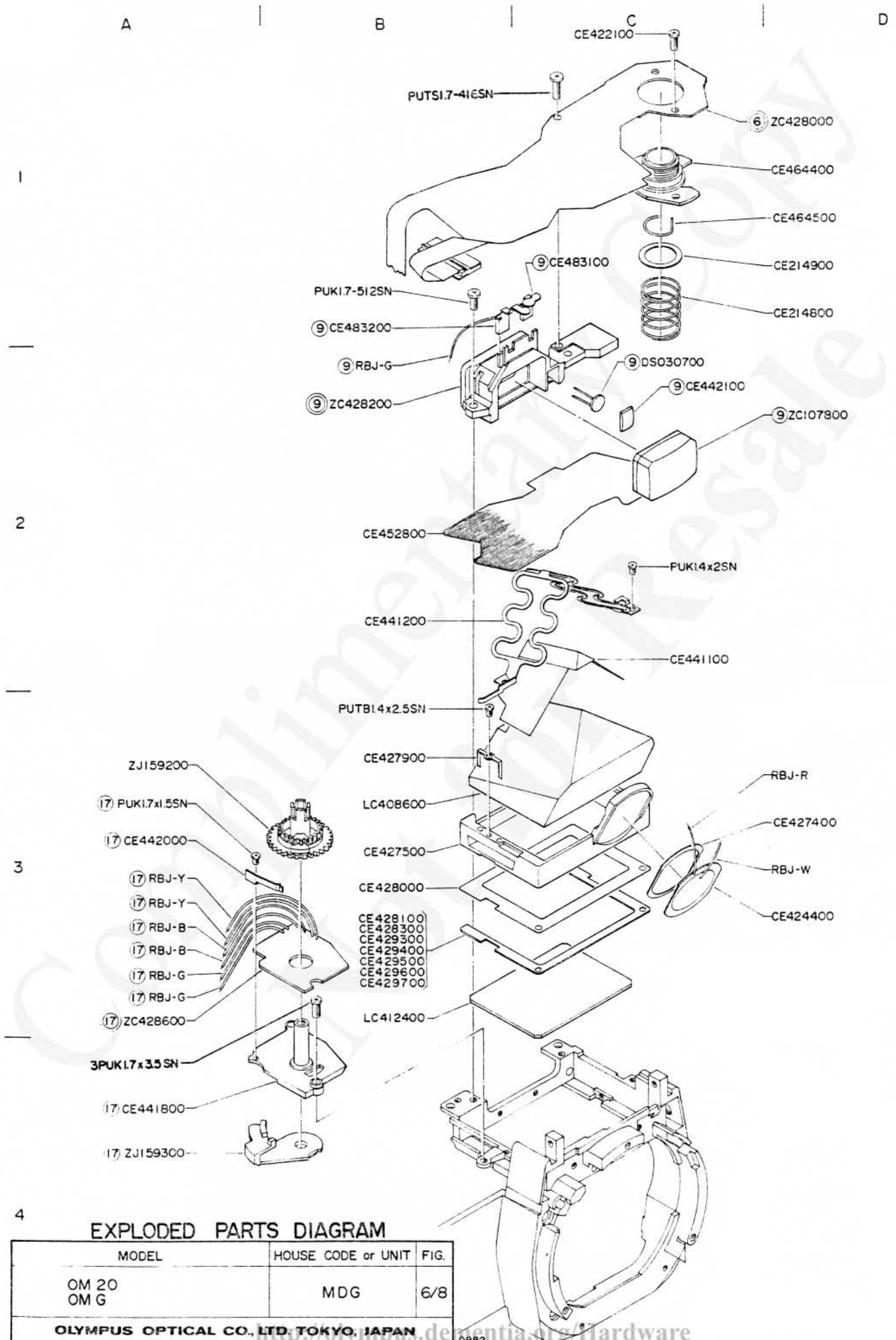
NOTE: WHEN ORDERING FOR SPARE PARTS, PLEASE CLARIFY A MODEL or HOUSE CODE, PARTS NUMBER AND QUANTITY.

A

B

C

D



EXPLODED PARTS DIAGRAM

MODEL	HOUSE CODE or UNIT	FIG.
OM 20 OM G	MDG	6/8
OLYMPUS OPTICAL CO., LTD. TOKYO, JAPAN		

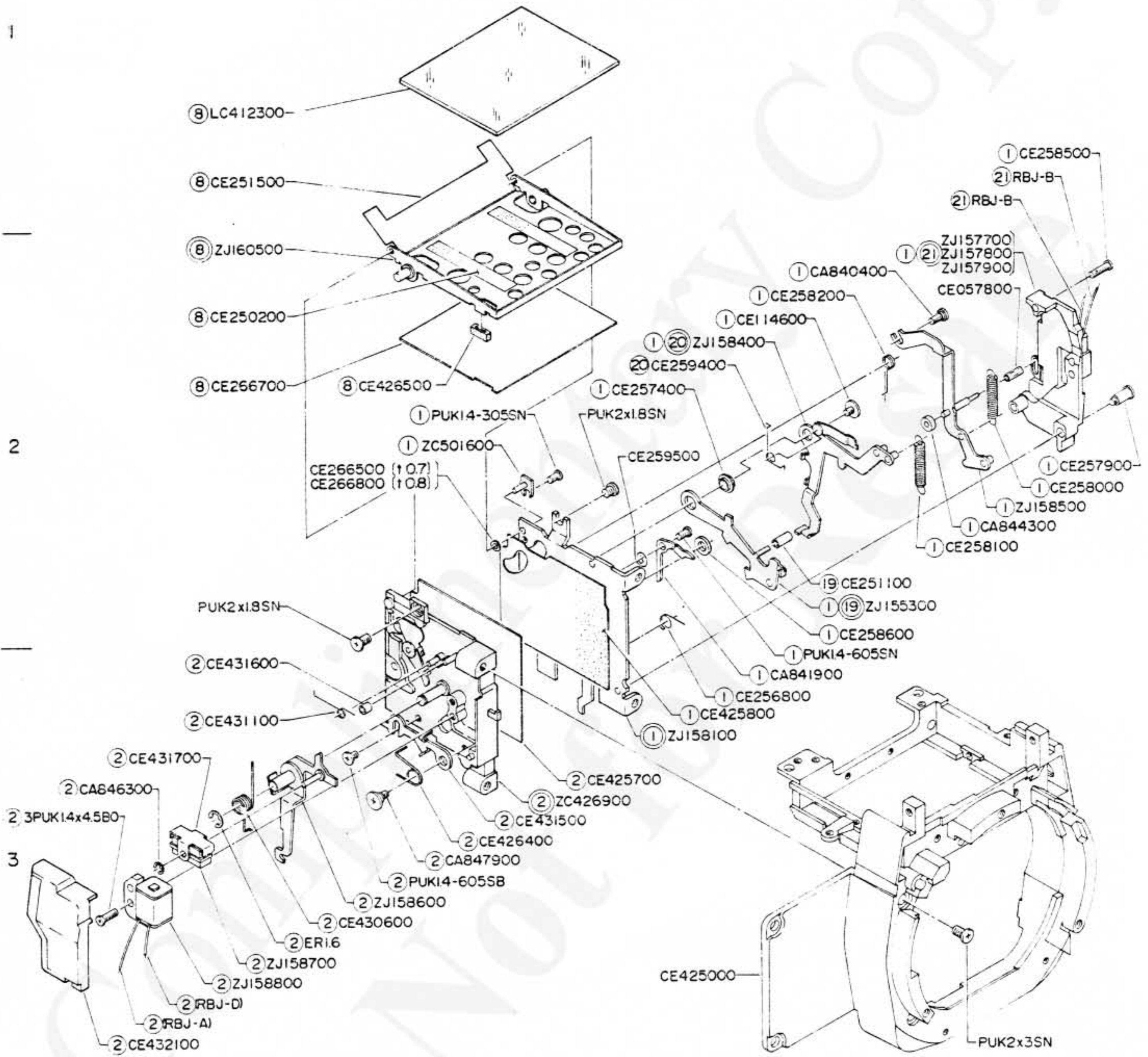
NOTE: WHEN ORDERING FOR SPARE PARTS, PLEASE CLARIFY A MODEL or HOUSE CODE, PARTS NUMBER AND QUANTITY.

A

B

C

D

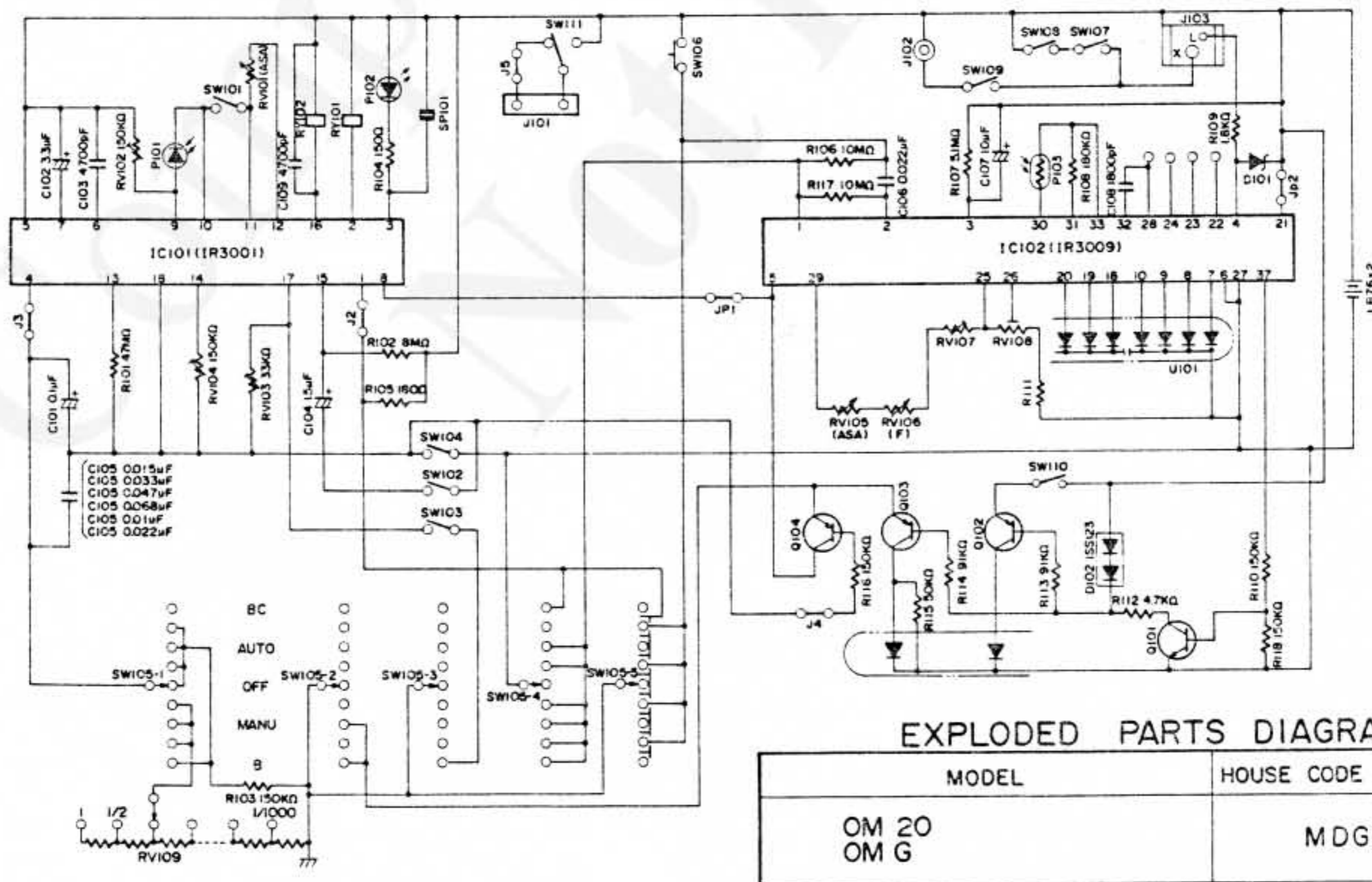
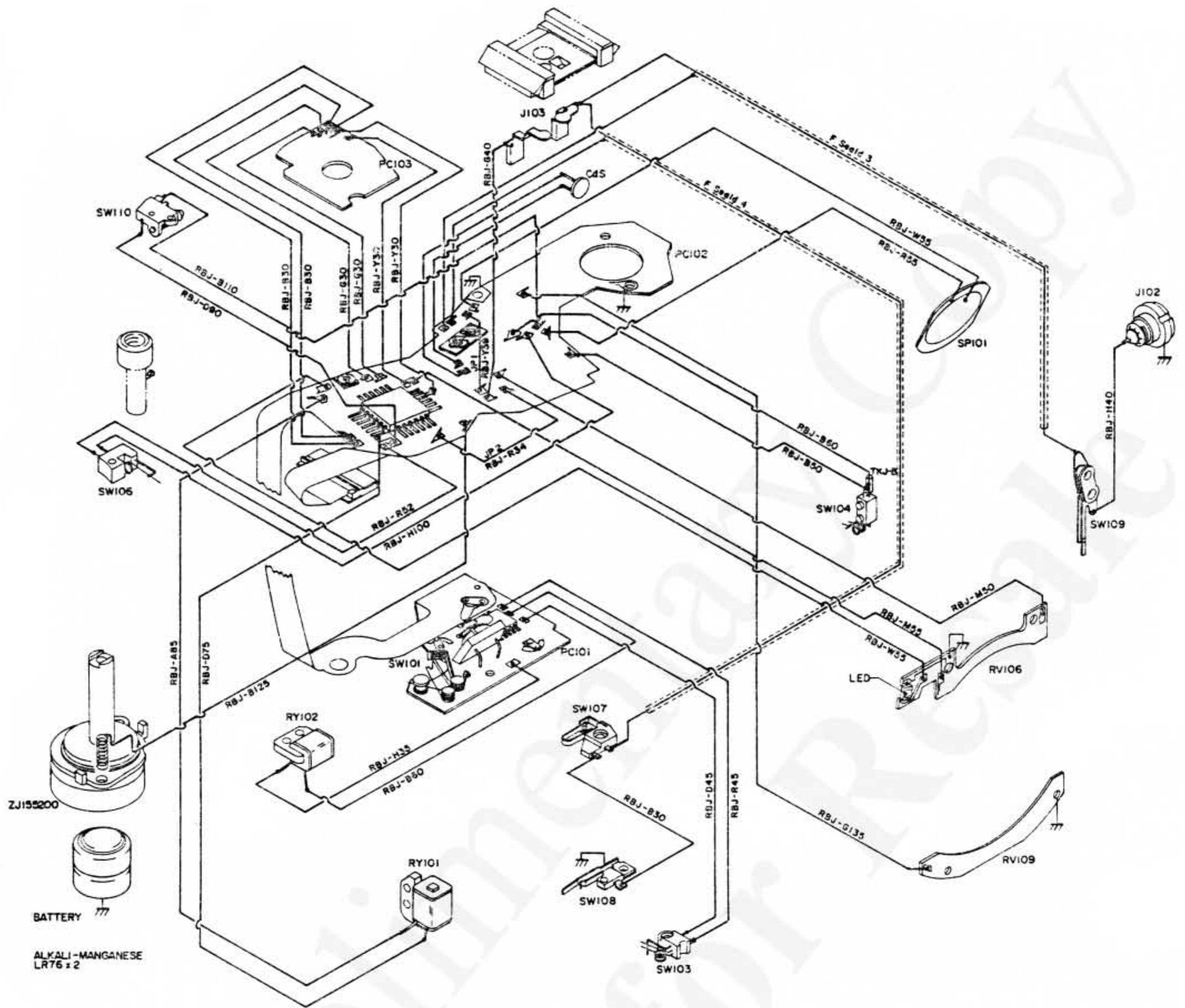


4

EXPLODED PARTS DIAGRAM

MODEL	HOUSE CODE or UNIT	FIG.
OM 20 OM G	MDG	7/8
OLYMPUS OPTICAL CO., LTD. TOKYO, JAPAN		

NOTE: WHEN ORDERING FOR SPARE PARTS, PLEASE CLARIFY A MODEL or HOUSE CODE, PARTS NUMBER AND QUANTITY.



EXPLODED PARTS DIAGRAM

MODEL	HOUSE CODE or UNIT	FIG.
OM 20 OM G	MDG	8/8

OLYMPUS OPTICAL CO., LTD. TOKYO, JAPAN

NOTE : WHEN ORDERING FOR SPARE PARTS, PLEASE CLARIFY A MODEL or HOUSE CODE, PARTS NUMBER AND QUANTITY.