

SERVICE MANUAL

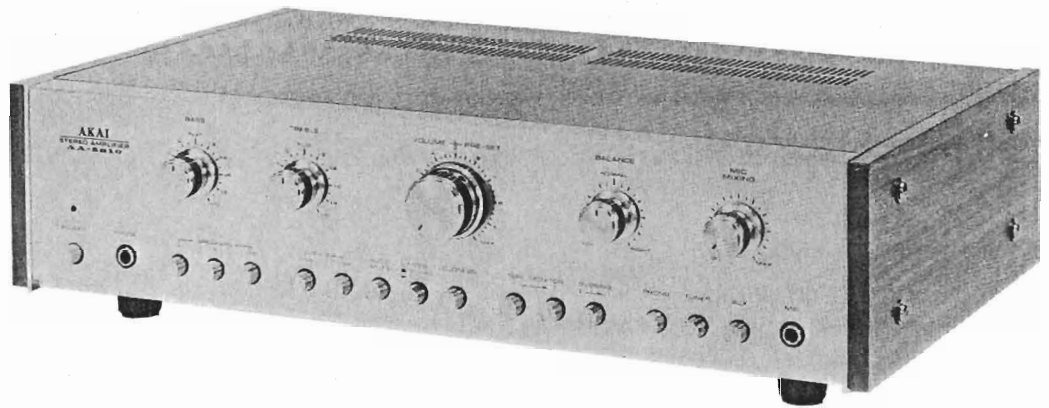
***PARTS LIST** 

AKAI STEREO AMPLIFIER

MODEL **AA-5810**

ALSO APPLICABLE TO MODEL AA-5510

AA-5810
AA-5510



AA-5810



AA-5510

STEREO AMPLIFIER

MODEL **AA-5810**

ALSO APPLICABLE TO MODEL AA-5510

SECTION 1	SERVICE MANUAL	3
SECTION 2	PARTS LIST	17
SECTION 3	PARTS LIST	27
SECTION 4	SCHEMATIC DIAGRAM	36

SECTION 1

SERVICE MANUAL

TABLE OF CONTENTS

I. SPECIFICATIONS	4
II. DISMANTLING OF UNIT	6
III. ADJUSTMENTS	7
1. NECESSARY MEASURING INSTRUMENTS	7
2. CLASSIFICATION OF VARIOUS P.C. BOARDS	7
3. MAIN AMPLIFIER ADJUSTMENTS	8
IV. COMPOSITE VIEWS OF COMPONENTS	9

I. SPECIFICATIONS

§ MODEL AA-5810

An asterisk next to a figure indicates the minimum guaranteed performance.

RATED OUTPUT		50 W x 2/8 ohm (both channels driven)
HARMONIC DISTORTION		Less than 0.3% 20 Hz/8 ohm at rated output Less than 0.3% 20 kHz/8 ohm at rated output 0.15% 1 kHz/8 ohm at rated output
POWER BAND WIDTH (IHF)		15 to 35,000 Hz at 8 ohm
FREQUENCY RESPONSE	PHONO	RIAA ± 1.0 dB *13.11 ± 1.0 dB at 100 Hz *-13.75 ± 1.0 dB at 10 kHz
	AUX	20 to 50,000 Hz ± 1.0 dB
INPUT SENSITIVITY	PHONO	2.5 mV (-50 dBm ± 1.5 dB)
	MIC	2.5 mV (-50 dBm ± 1.5 dB)
	TUNER	140 mV (-15 dBm ± 1.5 dB)
	AUX	140 mV (-15 dBm ± 1.5 dB)
	TAPE	140 mV (-15 dBm ± 1.5 dB)
INPUT IMPEDANCE	PHONO	50 kohm
	MIC	50 kohm
	TUNER	60 kohm
	AUX	60 kohm
	TAPE	60 kohm
SIGNAL TO NOISE RATIO	PHONO	Better than -35 dBm (input shorted)
	MIC	Better than -35 dBm (input shorted) Mic. Vol. max., Vol. min.
	TUNER	Better than -45 dBm (input open)
	AUX	Better than -45 dBm (input open)
	TAPE	Better than -45 dBm (input open)
RESIDUAL NOISE		Better than -50 dBm Vol. min.
TONE CONTROL	BASS	10 ± 1.5 dB, -10 ± 1.5 dB/100 Hz
	TREBLE	10 ± 1.5 dB, -10 ± 1.5 dB/10 kHz
LOUDNESS CONTROL		7 ± 1.0 dB/100 Hz 4.5 ± 1.0 dB/10 kHz -30 dB to rated output
FILTER	LOW	-10 ± 1 dB/50 Hz
	HIGH	-10 ± 1 dB/10 kHz
AUDIO MUTE		-20 dBm ± 2 dB
CROSS TALK		Better than 50 dB at 1 kHz
L-R DEVIATION		Within 1 dB (Volume Control at center position)
RECORDING OUTPUT	PIN	140 mV (-15 ± 1.5 dB)
	DIN	30 mV (-29.5 ± 1.5 dB) (at standard PHONO input)
PROTECTION CIRCUIT		Operates at shorting load
TRANSISTOR		2SA640(I)(L)(M)(P)(Q)(R) 10 2SC1313(G)(H) 4 2SA641(L)(M) 1 2SC1384(Q)(R) 1 2SA814(O)(Y) 2 2SC1624(O)(Y) 2 2SB557(O)(Y) 2 2SC1628(O)(Y) 3 2SC945(Q)(R) 4 2SD234(O)(Y) 1 2SC983(O)(Y) 2 2SD427(Q)(Y) 2 2SC1000(BL)(GR) 10
DIODE		10D1 1 HIFI-SPECIAL 400V 4 10D2 7 1N4003 5
ZENER DIODE		WZ130 1 WZ240 1
VARIATOR		STV-4H
POWER SOURCE		100 to 240 V A.C. 50/60 Hz
POWER CONSUMPTION		250 W
DIMENSIONS		450(W) x 115(H) x 290(D) mm (17.7" x 4.5" x 11.4")
WEIGHT		10.2 kg. (22.4 lbs.)

NOTE: Specifications subject to change without notice.

§ MODEL AA-5510

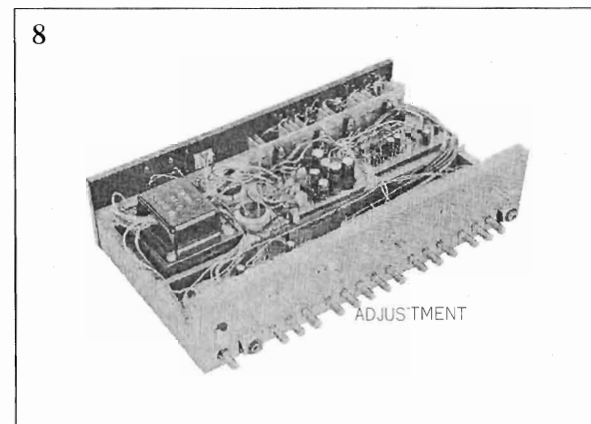
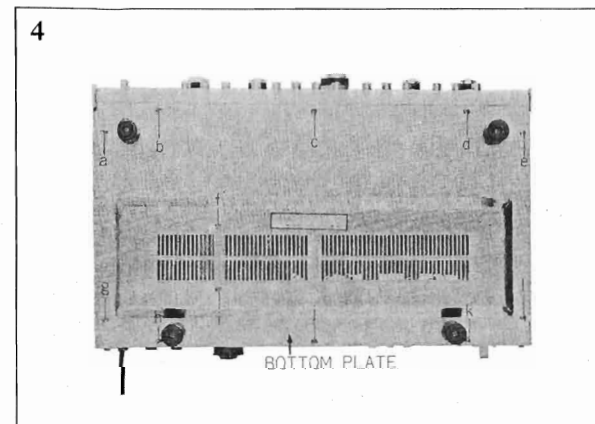
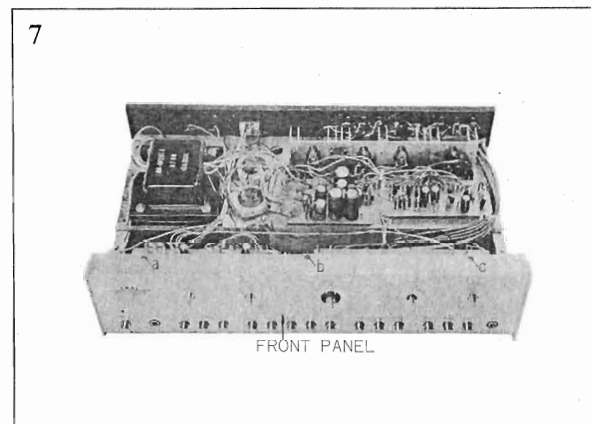
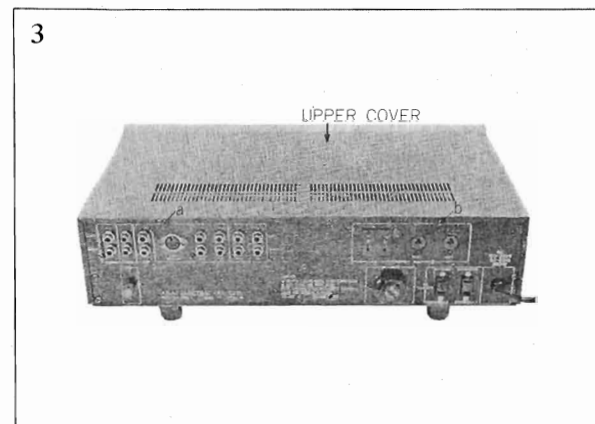
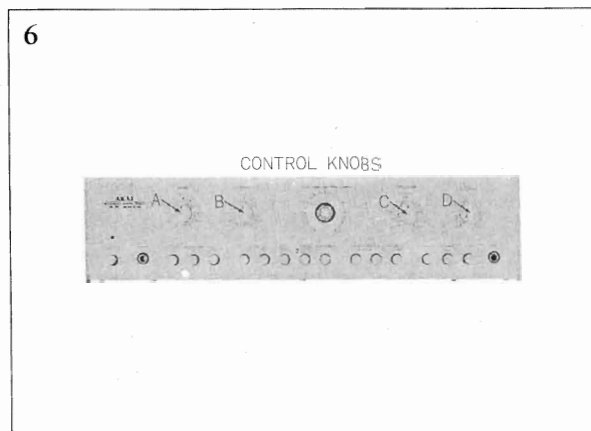
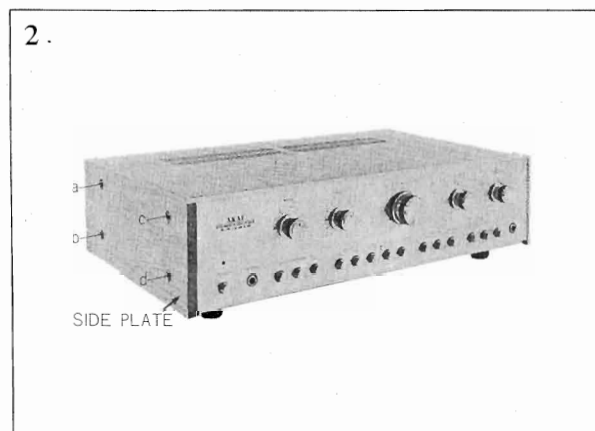
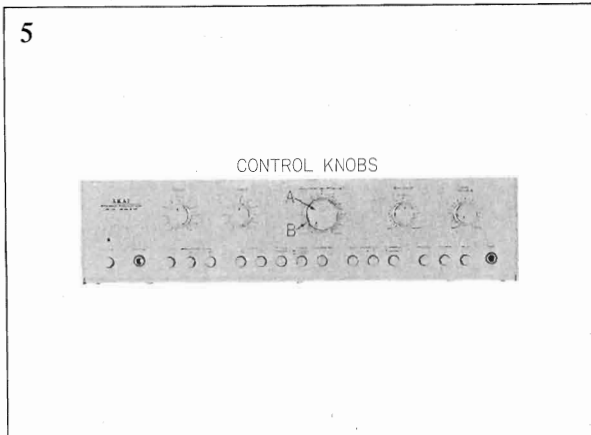
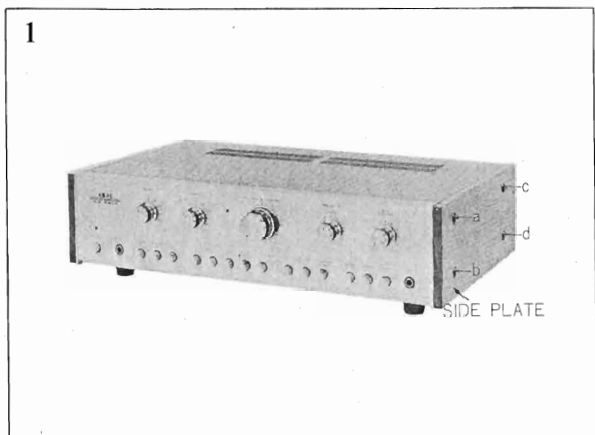
An asterisk next to a figure indicates the minimum guaranteed performance.

RATED OUTPUT		30 W × 2/8 ohm (both channels driven)
HARMONIC DISTORTION		0.5% 1 kHz/8 ohm at rated output
POWER BAND WIDTH		10 to 60,000 Hz at 8 ohm
FREQUENCY RESPONSE	PHONO	RIAA ±1.0 dB *13.11 ±1.0 dB at 100 Hz *-13.75 ±1.0 dB at 10 kHz
	AUX	20 to 50,000 Hz ±1.0 dB
INPUT SENSITIVITY	PHONO	3 mV (-48 dBm ±1.5 dB)
	MIC	2.5 mV (-50 dBm ±1.5 dB)
	TUNER	150 mV (-14.3 dBm ±1.5 dB)
	AUX	150 mV (-14.3 dBm ±1.5 dB)
	TAPE	150 mV (-14.3 dBm ±1.5 dB)
INPUT IMPEDANCE	PHONO	50 kohm
	MIC	50 kohm
	TUNER	70 kohm
	AUX	70 kohm
	TAPE	70 kohm
SIGNAL TO NOISE RATIO	PHONO	Better than -40 dBm (input shorted)
	MIC	Better than -40 dBm (input shorted) Mic. Vol. max., Vol. min.
	TUNER	Better than -50 dBm (input open)
	AUX	Better than -50 dBm (input open)
	TAPE	Better than -50 dBm (input open)
RESIDUAL NOISE		Better than -55 dBm Vol. min.
TONE CONTROL	BASS	10 ±1.5 dB, -10 ±1.5 dB/100 Hz
	TREBLE	10 ±1.5 dB, -10 ±1.5 dB/10 kHz
LOUDNESS CONTROL		8 ±1.5 dB/100 Hz 5.5 ±1.5 dB/10 kHz -30 dB at rated output
FILTER	LOW	-10 ±1.5 dB/50 Hz
	HIGH	-10 ±1.5 dB/10 kHz
AUDIO MUTE		-20 dBm ±1.5 dB
CROSS TALK		Better than 50 dB at 1 kHz
L-R DEVIATION		Within 2 dB (Volume Control at center position)
RECORDING OUTPUT	PIN	150 mV (-14.3 dBm ±2 dB)
	DIN	30 mV (-28.2 dBm ±2 dB) (at standard PHONO input)
TRANSISTOR		2SA640(L)(M) 2 2SC1312(G)(F) 2 2SA706-3(1)(2) 2 2SC1312R(F)(G) 8 2SC1111(O)(Y) 4 2SC1313(F)(G) 6 2SC1124(1)(2) 4 2SD313(D)(E) 1
DIODE		SR3AM4 4
VARISTOR		STV-3H 2
POWER SOURCE		100 to 240 V A.C. 50/60 Hz
POWER CONSUMPTION		200 W
DIMENSIONS		450(W) × 115(H) × 290(D) mm (17.8" × 4.5" × 11.4")
WEIGHT		9.3 kg. (20.5 lbs.)

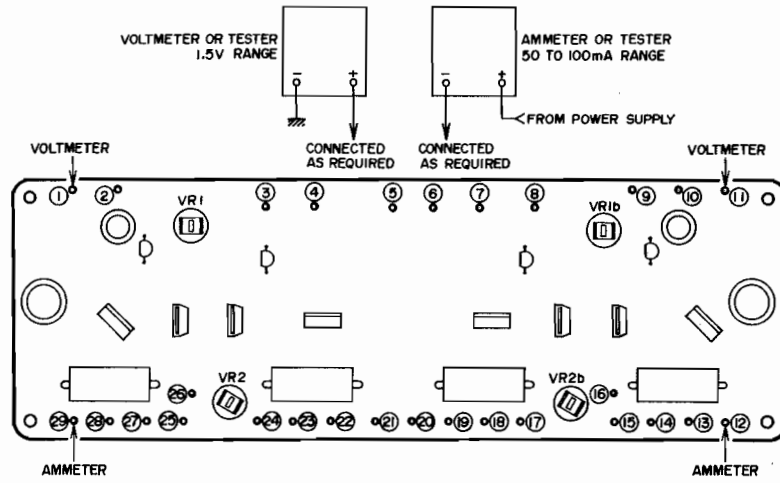
Note: Specifications subject to change without notice.

II. DISMANTLING OF UNIT

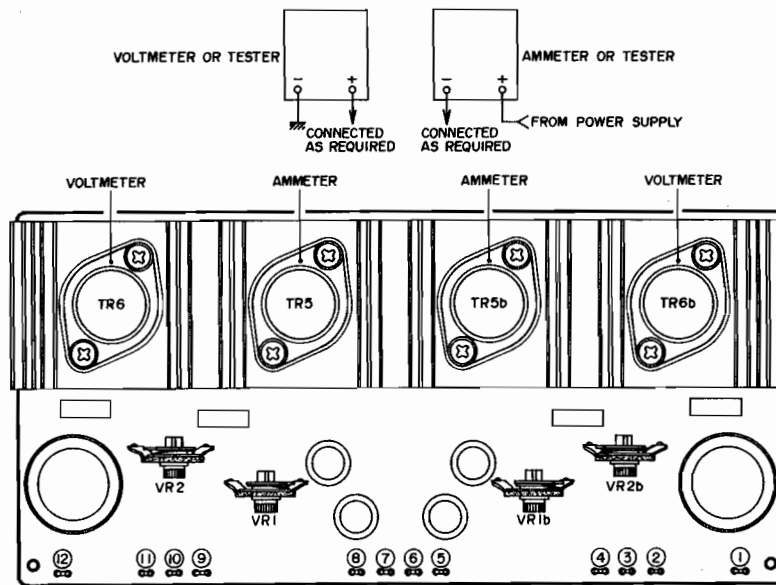
In case of trouble, etc. necessitating disassembly, please disassemble in the order shown in photographs. Reassemble in reverse order.



III. ADJUSTMENTS



MAIN AMP. P.C. BOARD 94-5013



MAIN AMP. P.C. BOARD 92-5005 5ED

1. NECESSARY MEASURING INSTRUMENTS

- Ammeter or TesterYokogawa 2011
- Voltmeter or TesterKikusui 107A
- OscilloscopeMatsushita VP508A

2. CLASSIFICATION OF VARIOUS P.C. BOARDS

P.C. BOARD	MODEL AA-5810	MODEL AA-5510
TONE CONTROL P.C. BOARD	A5-5219	A5-5219
POWER SUPPLY P.C. BOARD	A5-5309	A5-5216
SPEAKER SW. P.C. BOARD	A5-5310	A5-5215
EQUALIZER SW. P.C. BOARD	A5-5311	A5-5217
VOLUME P.C. BOARD	A5-5312	A5-5218
PROTECTOR P.C. BOARD	94-5010	
MAIN AMP. P.C. BOARD	94-5013	92-5005 5ED

3. MAIN AMPLIFIER ADJUSTMENTS

MODEL AA-5810

1) IDLING CURRENT ADJUSTMENT

Adjust VR2 (left channel) and VR2b (right channel) to obtain an idling current of 40mA.

2) D.C. BALANCE ADJUSTMENT

Adjust VR1 (left channel) and VR1b (right channel) to obtain Zero Voltage at Main Amp. P.C. Board terminal ① (left channel) and terminal ② (right channel).

MODEL AA-5510

1) IDLING CURRENT

Adjust VR2 (left channel) and VR2b (right channel) to obtain an idling current of 40mA.

2) D.C. BALANCE ADJUSTMENT

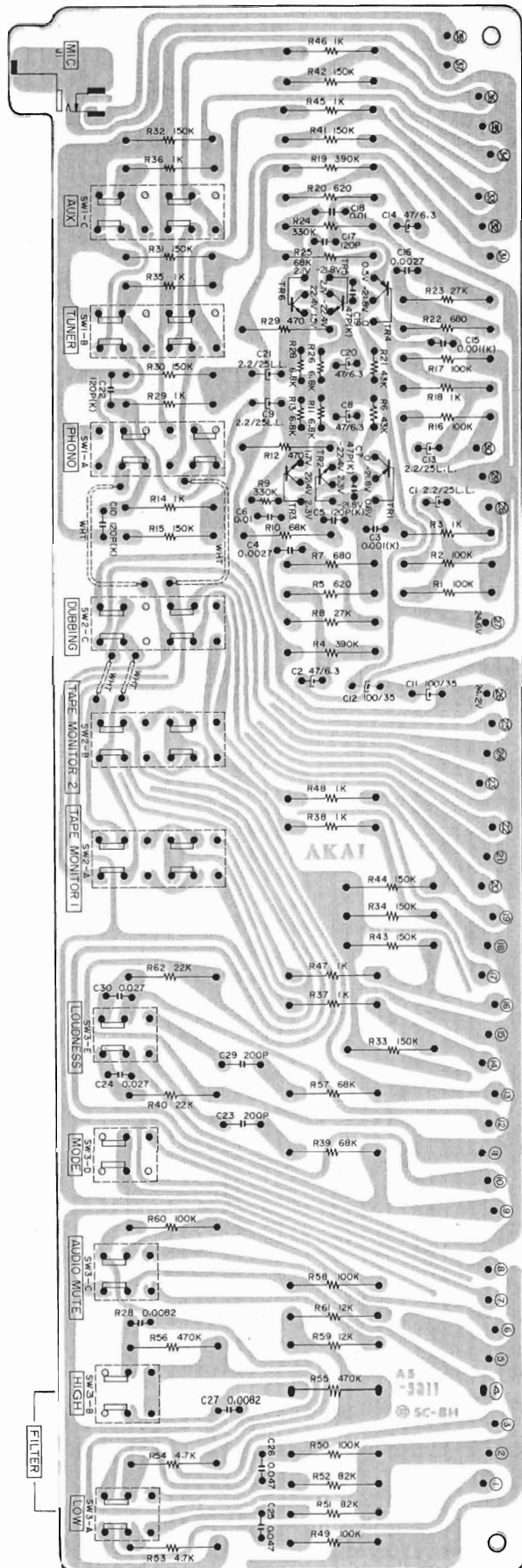
Adjust VR1 (left channel) and VR1b (right channel) so that the collector voltage of Main Amp. P.C. Board Power Transistor TR6 (left channel) and TR6b (right channel) is 1/2 voltage of TR5 and TR5b collector voltage.

IV. COMPOSITE VIEWS OF COMPONENTS

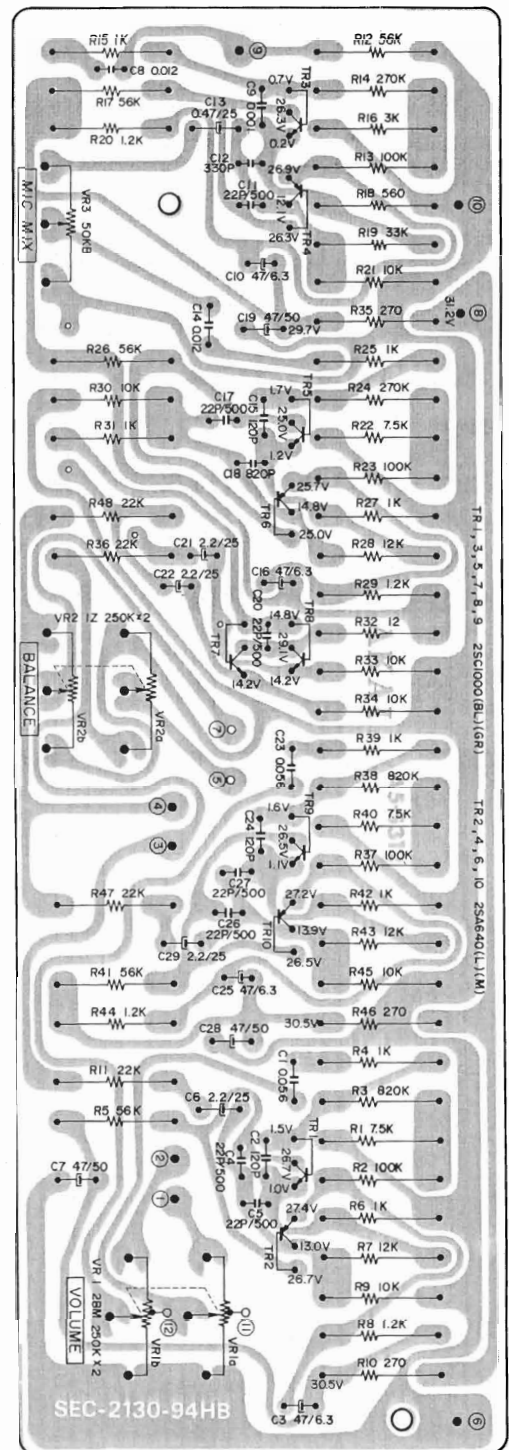
[1] MODEL AA-5810

1. EQUALIZER SW. P.C. BOARD A5-5311

2. VOLUME P.C. BOARD A5-5312



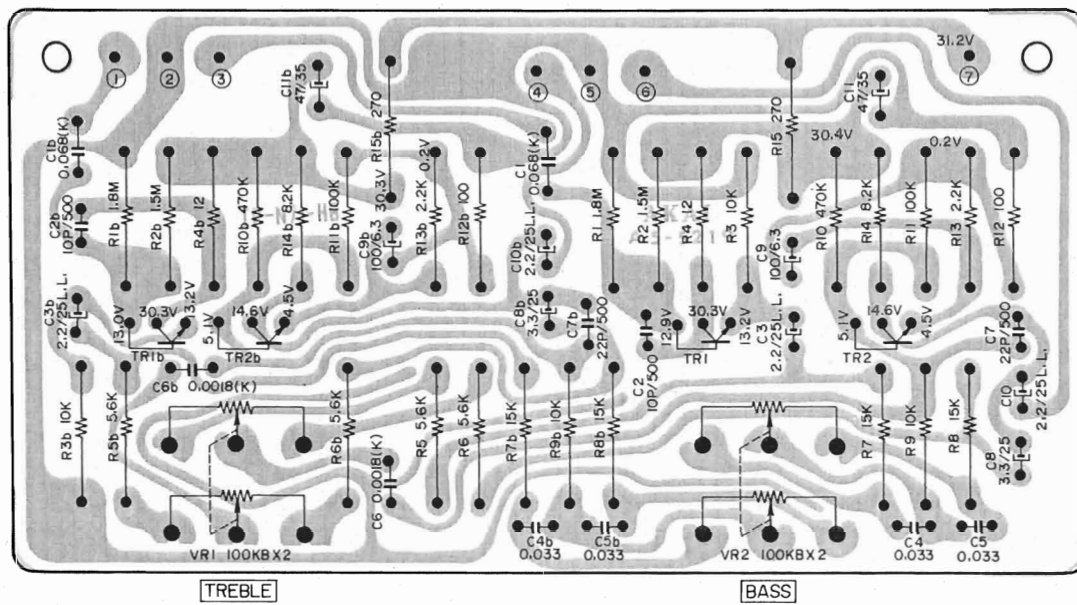
TR1, 4, 25A64Q(L)(M)
TR2, 3, 5, 6, 25C131G(H)



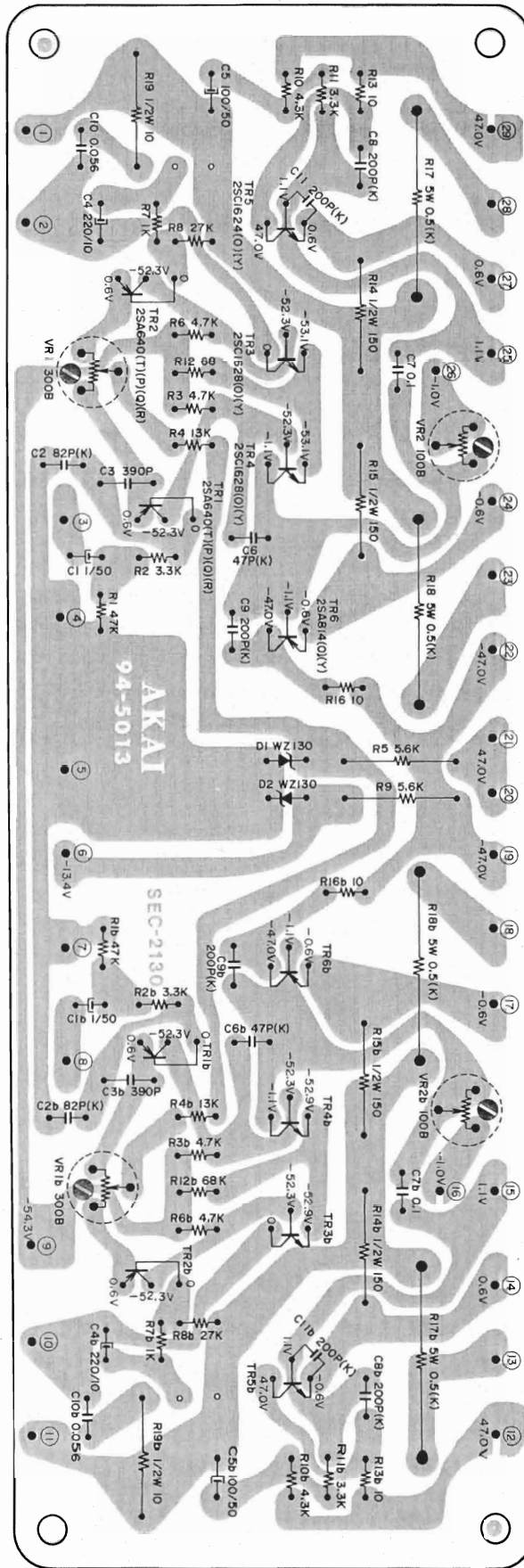
TR1, 3, 5, 7, 8, 9, 25C1000(B)(GR)
TR2, 4, 6, 10, 25A64Q(L)(M)

3. TONE CONTROL P.C. BOARD A5-5219

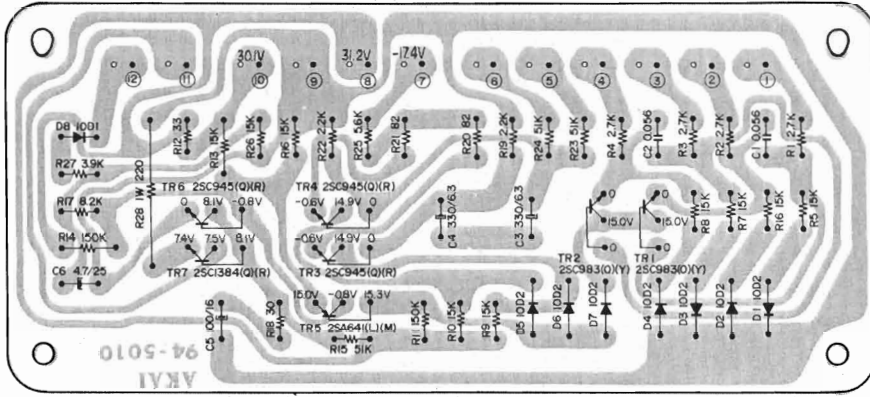
	AA-5510	AA-5810
TRI, 2, 1b, 2b	2SCI312R(F)(G)	2SCI000(BL)(GR)



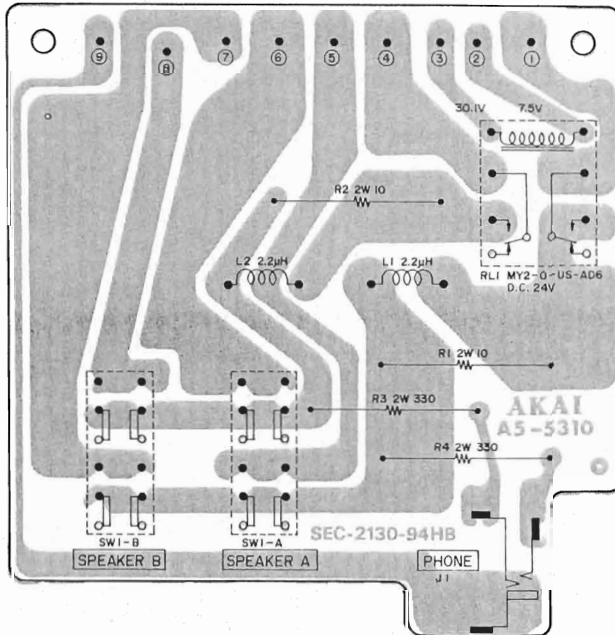
4. MAIN AMP. P.C. BOARD 94-5013



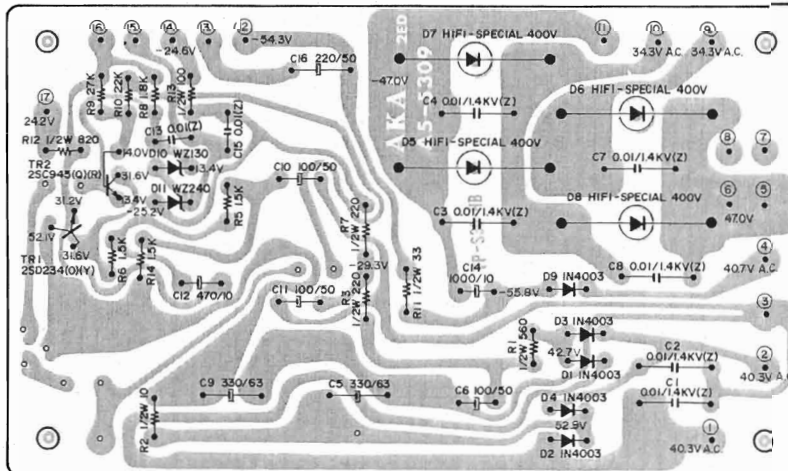
5. PROTECTOR P.C. BOARD 94-5010



6. SPEAKER SW. P.C. BOARD A5-5310



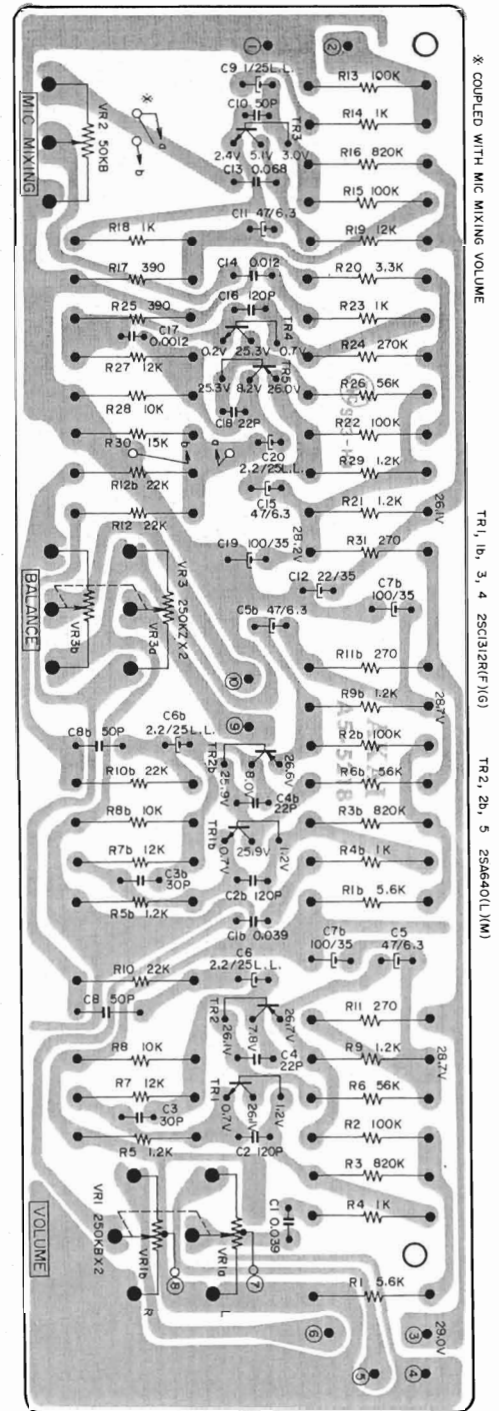
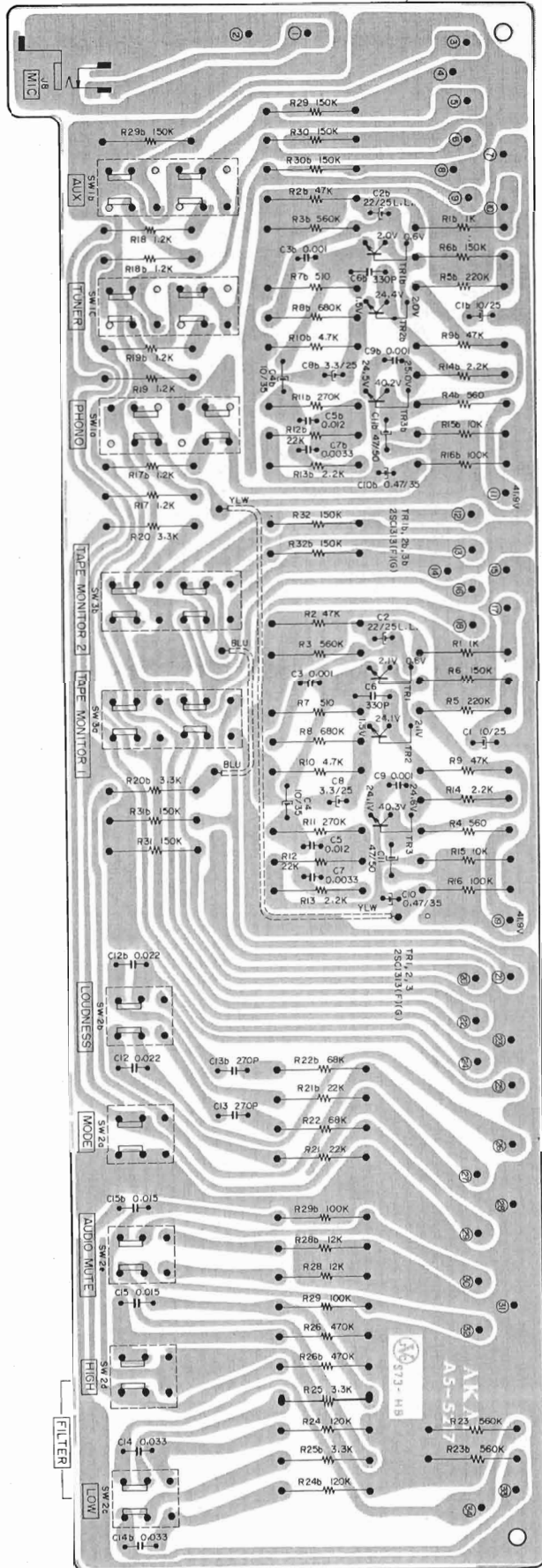
7. POWER SUPPLY P.C. BOARD A5-5309



[2] MODEL AA-5510

1. EQUALIZER SW. P.C. BOARD A5-5217

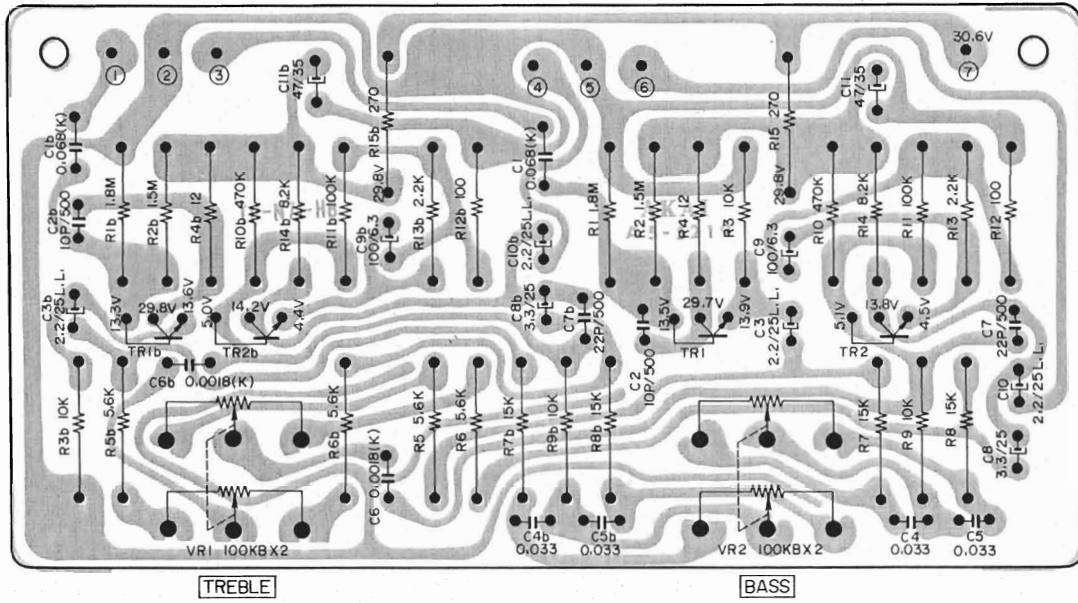
2. VOLUME P.C. BOARD A5-5218



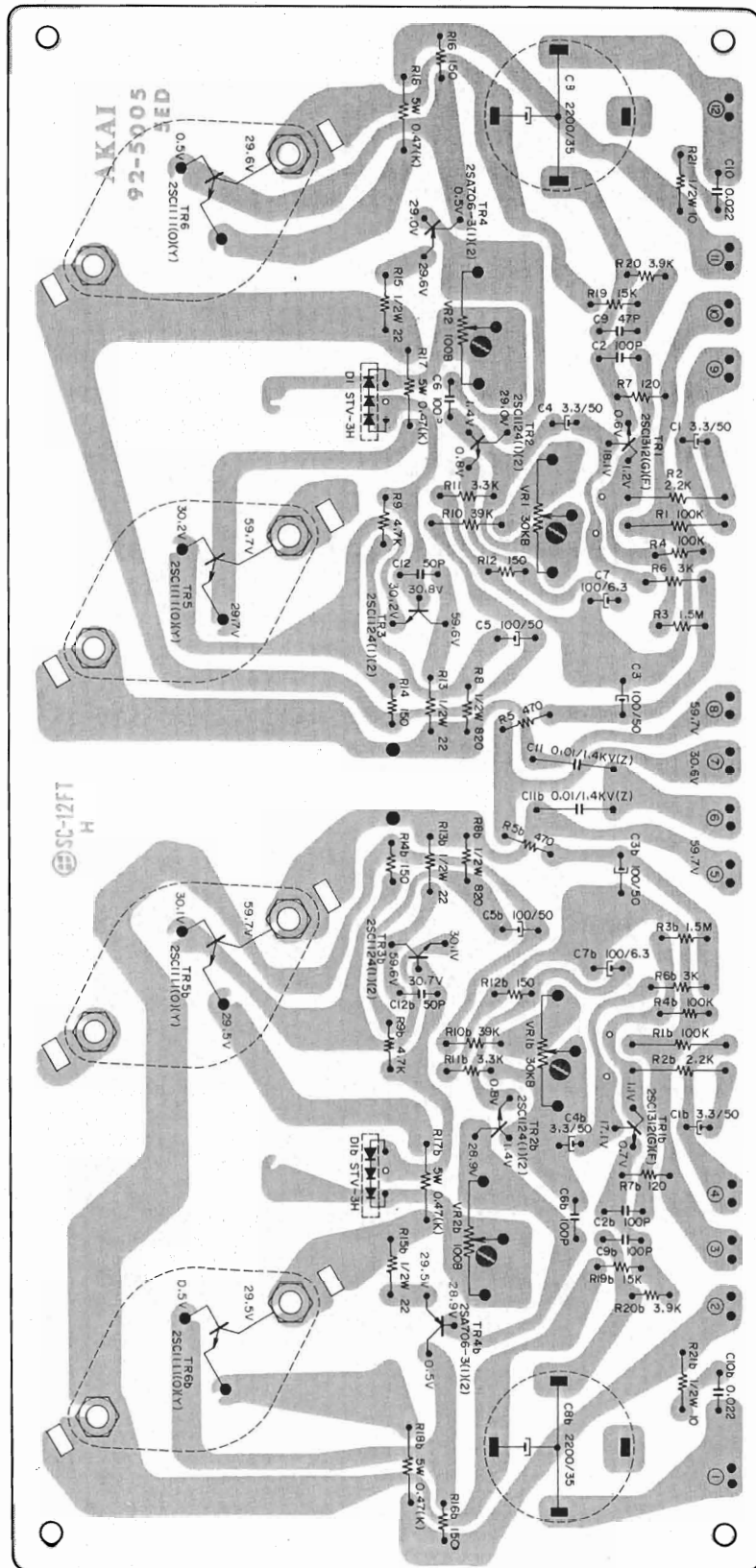
X COUPLED WITH MIC MIXING VOLUME
TR1, 1b, 3, 4 25C1312RF(1G)
TR2, 2b, 5 25A640(L)1M1

3. TONE CONTROL P.C. BOARD A5-5219

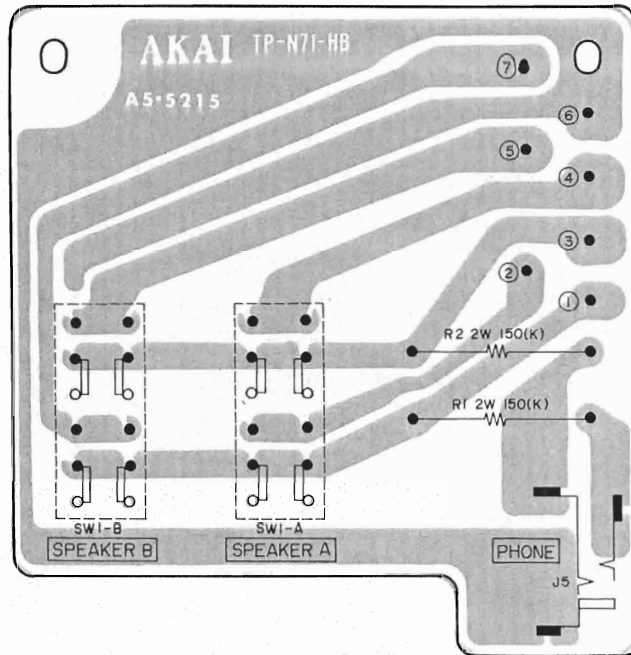
	AA - 5510	AA - 5810
TR1, 2, 1b, 2b	2SC1312R(F)(G)	2SC1000(BL)(GR)



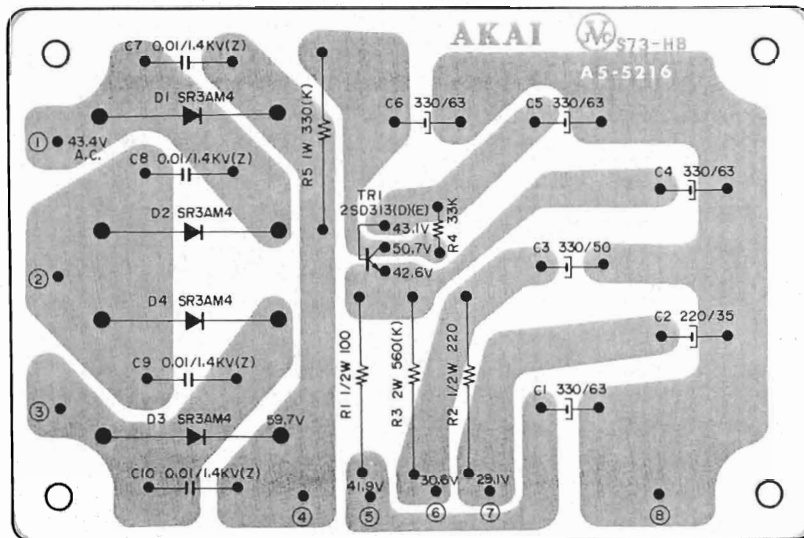
4. MAIN AMP. P.C. BOARD 92-5005



5. SPEAKER SW. P.C. BOARD A5-5215



6. POWER SUPPLY P.C. BOARD A5-5216



SECTION 2

PARTS LIST

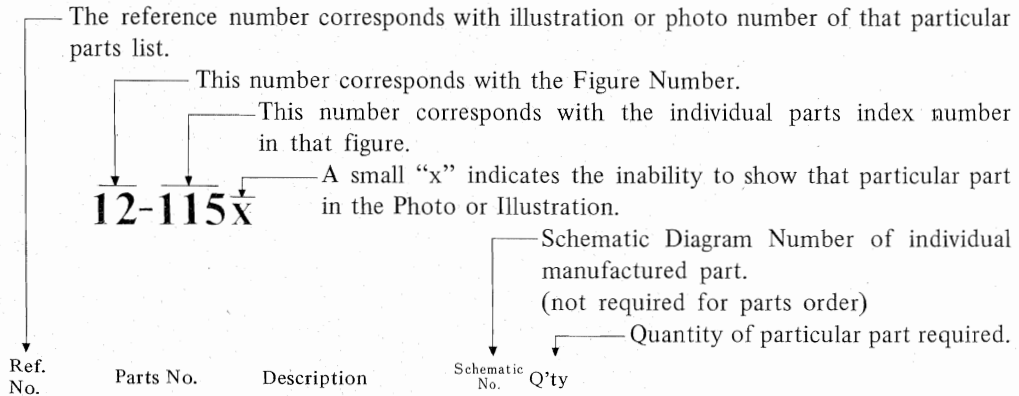
AA-5810

TABLE OF CONTENTS

Fig. 1	EQ. SW. P.C. BOARD (A5-5311) BLOCK	20
Fig. 2	VOL. P.C. BOARD (A5-5312) BLOCK	20
Fig. 3	TONE CONTROL P.C. BOARD (A5-5219) BLOCK	20
Fig. 4	MAIN AMP. (94-5013) BLOCK	22
Fig. 5	PROTECTOR P.C. BOARD (94-5010) BLOCK	22
Fig. 6	SPEAKER SW. P.C. BOARD (A5-5310) BLOCK	23
Fig. 7	POWER SUPPLY P.C. BOARD (A5-5309) BLOCK	23
Fig. 8	ASSEMBLY BLOCK	24
Fig. 9	FINAL ASSEMBLY BLOCK	26

HOW TO USE THIS PARTS LIST

1. This parts list is compiled by various individual blocks based on assembly process.
2. When ordering parts, please describe parts number, serial number, and model number in detail.
3. How to read List



Ref. No.	Parts No.	Description	Schematic No.	Q'ty
FLYWHEEL BLOCK #13				
12-115x	800425	Flywheel Block Assy. Comp.	RDG #13	1
12-116	244506	Flywheel Only	RD-233	1
12-117x	244754	Felt, Flywheel	RD-275	1
12-118	251324	Main Metal Case	RD-236	1
12-119	253080	Main Metal	RD-237	1

4. The symbol numbers shown on the P.C. Board list can be matched with the Composite Views of Components of the Schematic Diagram or Service Manual.
5. The indications of Resistors and Capacitors in the photos of P.C. Board are being eliminated.
6. The shape of the parts and parts name, etc. can be confirmed by comparing them with the parts shown on the Electrical Parts Table of P.C. Board.
7. Please utilize separate "Common List for Service Parts" for Resistor Parts orders.
8. Both the kind of part and installation position can be determined by the Parts Number. To determine where a parts number is listed, utilize Parts Index at end of Parts List.
It is necessary first of all to find the Parts Number. This can be accomplished by using the Reference Number listed at right of parts number in the Parts Index. (meaning of ref. no. outlined in Item 3 above).
9. Utilize separate "Price List for Parts" to determine unit price. The most simple method of finding parts Price is to utilize the reference number.

ELECTRICAL PARTS TABLE

<p>Because the indication of resistors and capacitors in the P.C. Board photos are being eliminated, please confirm parts name and shape by comparing them with the parts shown in this table.</p>	<p style="text-align: center;">1</p>  <p style="text-align: center;">Solid Resistor</p>	<p style="text-align: center;">2</p> <p style="text-align: right;">Stopper Type</p>  <p style="text-align: center;">Carbon Resistor</p>	<p style="text-align: center;">3</p>  <p style="text-align: center;">Metal Oxide Film Resistor</p>
<p style="text-align: center;">4</p>  <p style="text-align: center;">Cement Resistor</p>	<p style="text-align: center;">5</p>  <p style="text-align: center;">Wire-Wound Resistor</p>	<p style="text-align: center;">6</p>  <p style="text-align: center;">Thermister</p>	<p style="text-align: center;">7</p>  <p style="text-align: center;">Enamel Resistor</p>
<p style="text-align: center;">1</p>  <p style="text-align: center;">MP Capacitor (Tubular Type)</p>	<p style="text-align: center;">2</p>  <p style="text-align: center;">Plastic Capacitor</p>	<p style="text-align: center;">3</p>  <p style="text-align: center;">Mylar Capacitor</p>	<p style="text-align: center;">4</p>  <p style="text-align: center;">VFM (Hi-Q) Capacitor</p>
<p style="text-align: center;">5</p>  <p style="text-align: center;">Mylar Capacitor</p>	<p style="text-align: center;">6</p>  <p style="text-align: center;">Tantalum Capacitor</p>	<p style="text-align: center;">7</p>  <p style="text-align: center;">Oil Capacitor (Tubular Type)</p>	<p style="text-align: center;">8</p> <p style="text-align: right;">Vertical Type</p> <p style="text-align: center;">Tubular Type</p>  <p style="text-align: center;">Styrol Capacitor</p>
<p style="text-align: center;">9</p>  <p style="text-align: center;">Electrolytic Capacitor (Tubular Type)</p>	<p style="text-align: center;">10</p> <p style="text-align: right;">Vertical Type</p> <p style="text-align: center;">Tubular Type</p>  <p style="text-align: center;">Electrolytic Capacitor</p>	<p style="text-align: center;">11</p>  <p style="text-align: center;">Ceramic Capacitor</p>	<p style="text-align: center;">12</p>  <p style="text-align: center;">Metalized Mylar (Paper) Capacitor</p>
<p style="text-align: center;">13</p>  <p style="text-align: center;">Trimmer Condenser</p>		<p style="text-align: center;">VR</p>  <p style="text-align: center;">Semi-Fixed Volume</p>	
<p style="text-align: center;">L</p>  <p style="text-align: center;">Ferri Inductor</p>	<p style="text-align: center;">TR</p>  <p style="text-align: center;">Transistor</p>		
<p style="text-align: center;">CR</p>  <p style="text-align: center;">Spark Quencher</p>	<p style="text-align: center;">D</p>  <p style="text-align: center;">Diode (Silicon, Zener, Germanium)</p>		

FIG. 1 PHOTO OF EQ. SW. P.C. BOARD (A5-5311) BLOCK

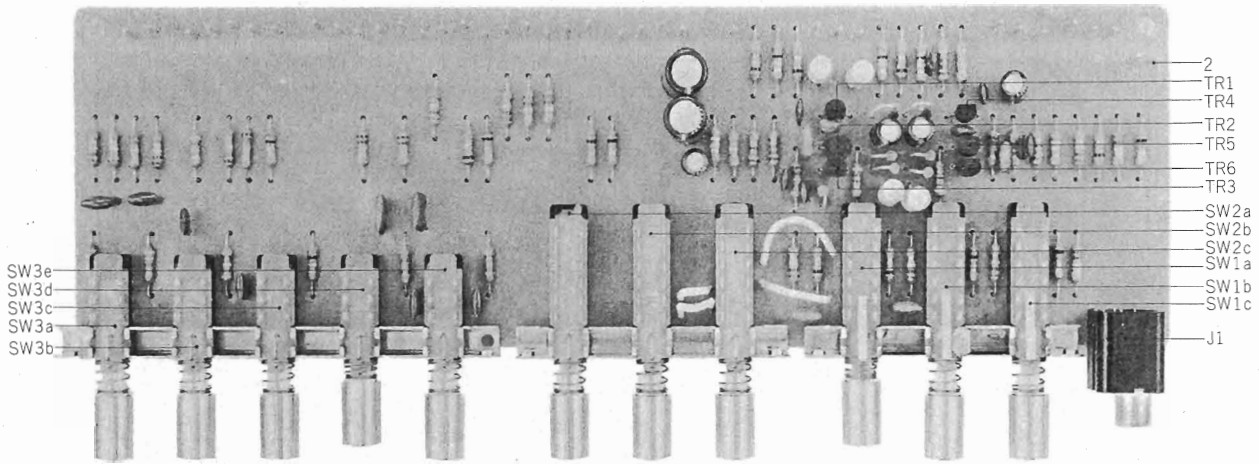


FIG. 2 PHOTO OF VOL. P.C. BOARD (A5-5312) BLOCK

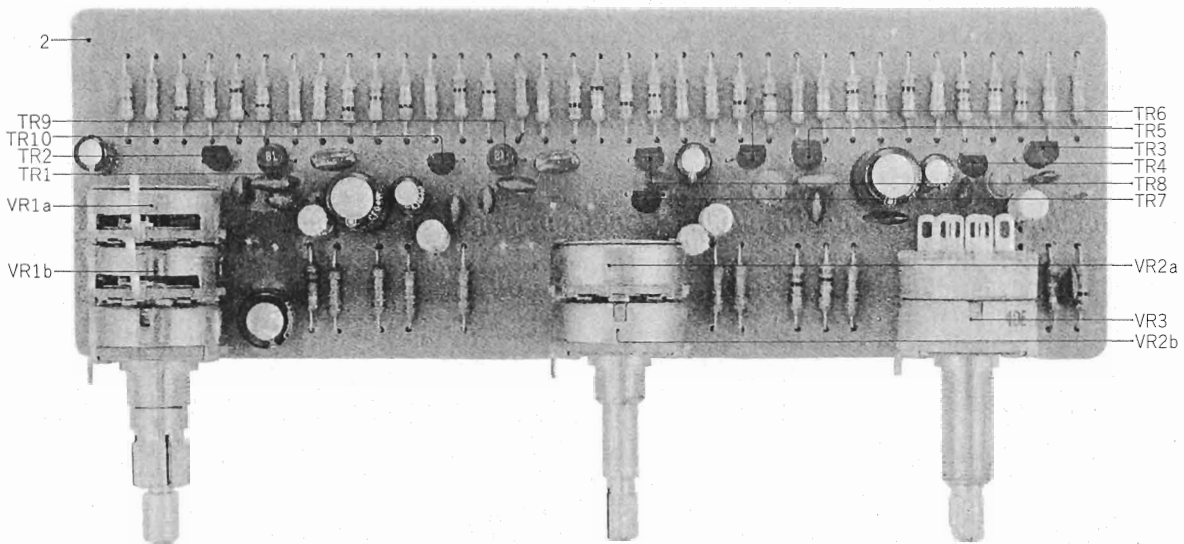
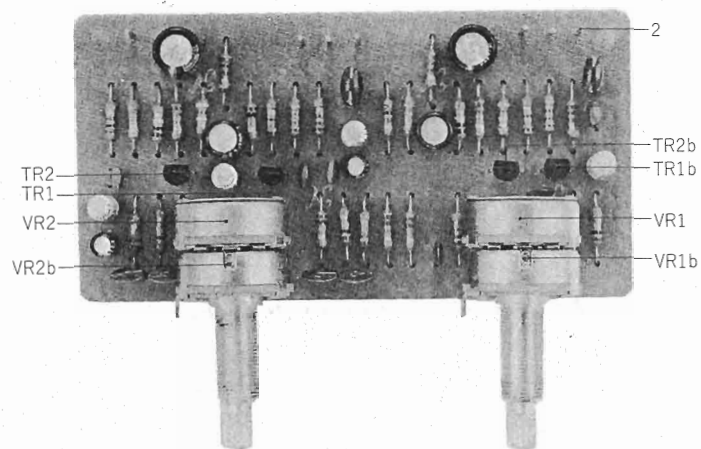


FIG. 3 PHOTO OF TONE CONTROL P.C. BOARD (A5-5219) BLOCK



EQ. SW. P.C. BOARD (A5-5311) BLOCK

Symbol No.	Parts No.	Description	Q'ty
1-1x	BA622880	EQ. SW. P.C. Board Comp. (A5-5311)	1
1-TR1	ET460912	Transistor 2SA640 (L) (M)	1
1-TR2,3	ET604124	Transistor 2SC1313 (G) (H)	2
1-TR4	ET460912	Transistor 2SA640 (L) (M)	1
1-TR5,6	ET604124	Transistor 2SC1313 (G) (H)	2
1-SW1	ES623968	Push SW. 3FT-0001FF1320	1
1-SW2	ES624148	Push SW. 3FS-12U-173	1
1-SW3	ES628672	Push SW. 5FT-0004FF-1320	1
1-J1	EJ391094	Mic. Jack 2PMJ1P	1
1-2	EJ539662	Wrapping Post 1x17	9
Capacitor, Vertical Type			
1-C1	EC478945	Elect. 2.2 μ F 25WV NL	1
1-C2	EC329771	Elect. 47 μ F 6.3WV	1
1-C3	EC302264	Mylar 0.001 μ F (K) 50WV	1
1-C4	EC379776	Mylar 0.0027 μ F (J) 50WV	1
1-C5	EC290542	VFM 120PF (K) 50WV	1
1-C6	EC302321	Mylar 0.01 μ F (J) 50WV	1
1-C7	EC487394	VFM 47PF (K) 50WV	1
1-C8	EC329771	Elect. 47 μ F 6.3WV	1
1-C9	EC478945	Elect. 2.2 μ F 25WV NL	1
1-C10	EC290542	VFM 120PF (K) 50WV	1
1-C11,12	EC455354	Elect. 100 μ F 35WV	2
1-C13	EC478945	Elect. 2.2 μ F 25WV NL	1
1-C14	EC329771	Elect. 47 μ F 6.3WV	1
1-C15	EC302264	Mylar 0.001 μ F (K) 50WV	1
1-C16	EC379776	Mylar 0.0027 μ F (J) 50WV	1
1-C17	EC290542	VFM 120PF (K) 50WV	1
1-C18	EC302321	Mylar 0.01 μ F (J) 50WV	1
1-C19	EC487394	VFM 47PF (K) 50WV	1
1-C20	EC329771	Elect. 47 μ F 6.3WV	1
1-C21	EC478945	Elect. 2.2 μ F 25WV NL	1
1-C22	EC290542	VFM 120PF (K) 50WV	1
1-C23	EC389237	VFM 200PF (J) 50WV	1
1-C24	EC329872	Mylar 0.047 μ F (J) 50WV	1
1-C25,26	EC379225	Mylar 0.047 μ F (J) 50WV	2
1-C27,28	EC413684	Mylar 0.0082 μ F (J) 50WV	2
1-C29	EC389237	VFM 200PF (J) 50WV	1
1-C30	EC329872	Mylar 0.027 μ F (J) 50WV	1
Carbon Resistor Omitted.			

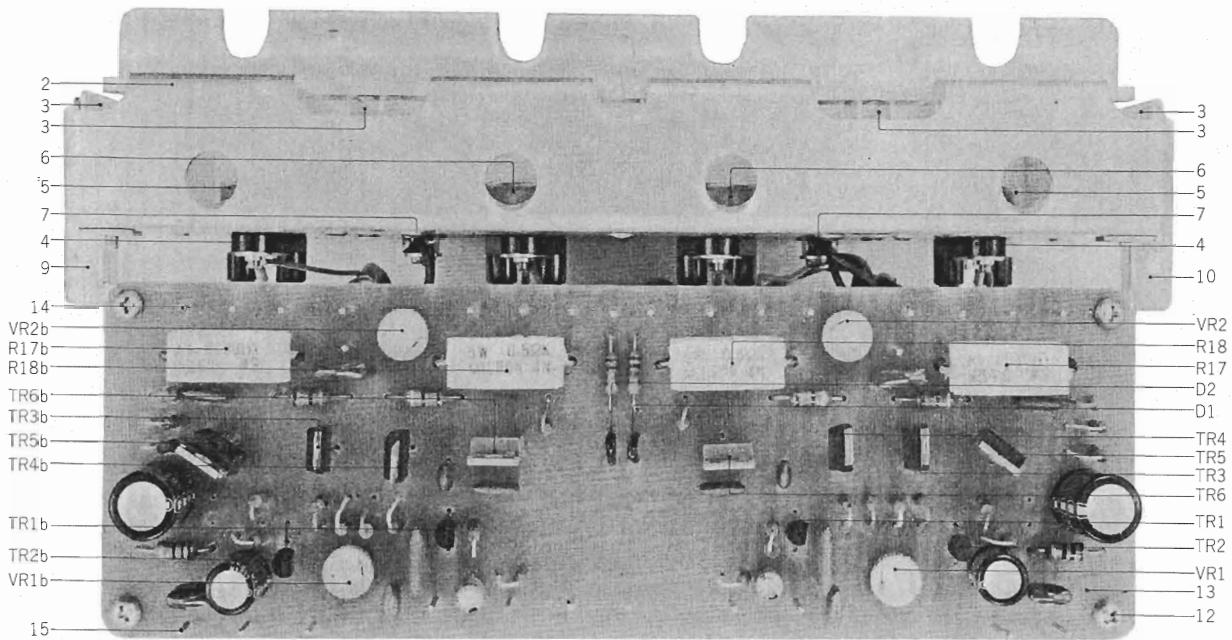
VOL. P.C. BOARD (A5-5312) BLOCK

Symbol No.	Parts No.	Description	Q'ty
2-1x	BA622888	Vol. P.C. Board Comp. (A5-5312)	1
2-TR1	ET622181	Transistor 2SC1000 (BL) (GR)	1
2-TR2	ET460912	Transistor 2SA640 (L) (M)	1
2-TR3	ET622181	Transistor 2SC1000 (BL) (GR)	1
2-TR4	ET460912	Transistor 2SA640 (L) (M)	1
2-TR5	ET622181	Transistor 2SC1000 (BL) (GR)	1
2-TR6	ET460912	Transistor 2SA640 (L) (M)	1
2-TR7to9	ET622181	Transistor 2SC1000 (BL) (GR)	3
2-TR10	ET460912	Transistor 2SA640 (L) (M)	1
2-VR1	EV616623	Co-axial 2-throw/Vol. (w/pre set) V24L5DGM 2BM250kx2	1
2-VR2	EV616645	Co-axial 2-throw/Vol. V24L5GPHN 1Z250kx2	1
2-VR3	EV616634	Vol. (w/switch) VJ11R-SF22 50 kA	1
2-2	EJ539662	Wrapping Post 1x17	10
Capacitor, Vertical Type			
2-C1	EC251201	Mylar 0.056 μ F (K) 50WV	1
2-C2	EC290542	VFM 120PF (K) 50WV	1
2-C3	EC329771	Elect. 47 μ F 6.3WV	1
2-C4,5	EC556525	FM 22PF (K) 500WV	2
2-C6	EC478945	Elect. 2.2 μ F 25WV NL	1
2-C7	EC346735	Elect. 47 μ F 50WV	1
2-C8	EC338670	Mylar 0.012 μ F (K) 50WV	1
2-C9	EC302264	Mylar 0.001 μ F (K) 50WV	1
2-C10	EC329771	Elect. 47 μ F 6.3WV	1
2-C11	EC556525	FM 22PF (K) 500WV	1
2-C12	EC516745	Styrol 330PF (K) 50WV	1
2-C13	EC622991	Elect. 0.47 μ F 25WV	1
2-C14	EC338670	Mylar 0.012 μ F (K) 50WV	1
2-C15	EC290542	VFM 120PF (K) 50WV	1
2-C16	EC329771	Elect. 47 μ F 6.3WV	1
2-C17	EC556525	FM 22PF (K) 500WV	1
2-C18	EC623002	Styrol 820PF (K) 50WV	1
2-C19	EC346735	Elect. 47 μ F 50WV	1
2-C20	EC556525	FM 22PF (K) 500WV	1
2-C21,22	EC478945	Elect. 2.2 μ F 25WV NL	2
2-C23	EC251201	Mylar 0.056 μ F (K) 50WV	1
2-C24	EC290542	VFM 120PF (K) 50WV	1
2-C25	EC329771	Elect. 47 μ F 6.3WV	1
2-C26,27	EC556525	FM 22PF (K) 500WV	2
2-C28	EC346735	Elect. 47 μ F 50WV	1
2-C29	EC478945	Elect. 2.2 μ F 25WV NL	1

TONE CONTROL P.C. BOARD (A5-5219) BLOCK

Symbol No.	Parts No.	Description	Q'ty
3-1x	BA622877	Tone Control P.C. Board Comp. (A5-5219)	1
3-TR1,2	ET517263	Transistor 2SC1312 (G) (H)	4
3-VR1,2	EV602458	Co-axial 2-throw/Vol. V24L5GPHN 1kB 100kx2	2
3-2	EJ539662	Wrapping Post 1x17	7
Capacitor, Vertical Type			
3-C1	EC313323	Mylar 0.068 μ F (K) 50WV	2
3-C2	EC474671	VFM 10PF (K) 50WV	2
3-C3	EC478945	Elect. 2.2 μ F 25WV NL	2
3-C4,5	EC379157	Mylar 0.033 μ F (J) 50WV	4
3-C6	EC362068	Mylar 0.0018 μ F (K) 50WV	2
3-C7	EC556525	FM 22PF (K) 500WV	2
3-C8	EC331828	Elect. 3.3 μ F 25WV	2
3-C9	EC336104	Elect. 100 μ F 6.3WV	2
3-C10	EC478945	Elect. 2.2 μ F 25WV NL	2
3-C11	EC590837	Elect. 47 μ F 35WV	2
Carbon Resistor Omitted.			

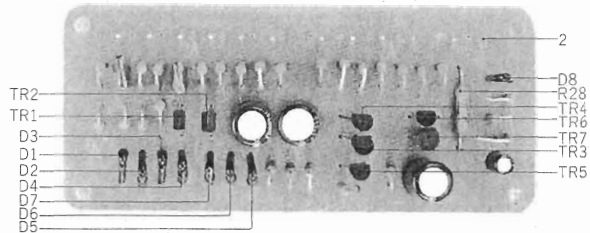
FIG. 4 PHOTO OF MAIN AMP. (94-5013) BLOCK



MAIN AMP. (94-5013) BLOCK

Symbol No.	Parts No.	Description	Q'ty
MAIN AMP. BLOCK			
4-1x	BA622822	Main Amp. Block Comp.	1
4-2	EZ626152	Heat-sink Plate	1
4-3	EZ626141	Heat-sink Plate (Small)	1
4-4	EJ624486	Power TR. Socket	4
4-5	ET623013	Transistor 2SD427 (O) (Y)	2
4-6	ET623024	Transistor 2SB557 (O) (Y)	2
4-7	ED551733	Silicon Varistor STV-4H	2
4-8x	ZS609535	Tapping Screw #2 3x12, w/washer	2
4-9	EZ626220	Heat-sink Mt. Plate A	1
4-10	EZ626354	Heat-sink Mt. Plate B	1
4-11x	ZS379350	ISO Screw, pan head 3x6	2
4-12	ZS325495	Tapping Screw #2 3x6	4
4-13	BA622833	Main Amp. P.C. Board Comp.	1
MAIN AMP. P.C. BOARD BLOCK			
4-13	BA622833	Main Amp. P.C. Board Comp.	1
4-TR1,2	ET561802	Transistor 2SA640 (I)	4
4-TR3,4	ET623035	Transistor 2SC1628 (O) (Y)	4
4-TR5	ET623046	Transistor 2SC1624 (O) (Y)	2
4-TR6	ET623057	Transistor 2SA814 (O) (Y)	2
4-D1,2	ED539976	Zener Diode WZ-130	2
4-VR1	EV551643	Semi-fixed/Vol. SR19R 330ΩB (Solid Type)	2
4-VR2	EV361798	Semi-fixed/Vol. SR19R 100ΩB (Solid Type)	2
4-R17,18	ER442653	Cement/R. 5W 0.5Ω (K) (Wire-wound Type)	4
4-14	EJ551654	Wrapping Post 1x23	18
4-15	EJ539662	Wrapping Post 1x17	11
Capacitor, Vertical Type			
4-C1	EC313108	Elect. 1μF 50WV	2
4-C2	EC389024	VFM 82PF (K) 50WV	2
4-C3	EC350717	VFM 390PF (J) 50WV	2
4-C4	EC329782	Elect. 220μF 10WV	2
4-C5	EC321221	Elect. 100μF 50WV	2
4-C6	EC487394	VFM 47PF (K) 50WV	2
4-C7	EC379170	Mylar 0.1μF (J) 50WV	2
4-C8,9	EC539842	VFM 200PF (K) 50WV	4
4-C10	EC368357	Mylar 0.056μF (J) 50WV	2
4-C11	EC539842	VFM 200PF (K) 50WV	2
		Carbon Resistor Omitted.	

FIG. 5 PHOTO OF PROTECTOR P.C. BOARD (94-5010) BLOCK



PROTECTOR P.C. BOARD (94-5010) BLOCK

Symbol No.	Parts No.	Description	Q'ty
5-1x	BA622855	Protector P.C. Board Comp. (94-5010)	1
5-TR1,2	ET552690	Transistor 2SC983 (O) (Y)	2
5-TR3,4	ET398711	Transistor 2SC945 (Q) (R)	2
5-TR5	ET552701	Transistor 2SA641 (L) (M)	1
5-TR6	ET398711	Transistor 2SC945 (Q) (R)	1
5-TR7	ET565852	Transistor 2SC1384 (Q) (R)	1
5-D1to7	ED224548	Silicon Diode 10D2	7
5-D8	ED224526	Silicon Diode 10D1	1
5-2	EJ539662	Wrapping Post 1x17	12
5-R28	ER429715	Metal Oxide Film/R. 1W 220Ω (J)	1
Capacitor, Vertical Type			
5-C1,2	EC368357	Mylar 0.056μF (J) 50WV	2
5-C3,4	EC343236	Elect. 330μF 6.3WV	2
5-C5	EC220127	Elect. 100μF 16WV	1
5-C6	EC450527	Elect. 4.7μF 25WV	1
		Carbon Resistor Omitted.	

When ordering parts, please describe Parts Number, Serial Number, and Model Number in detail.

FIG. 6 PHOTO OF SPEAKER SW. P.C. BOARD (A5-5310) BLOCK

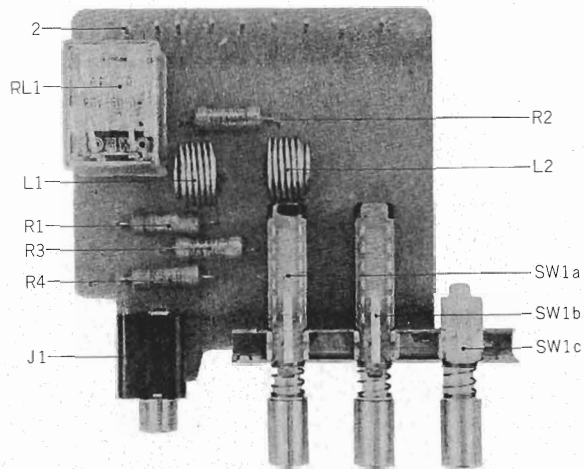
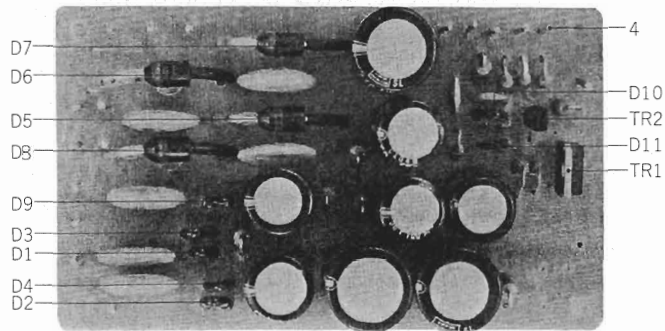


FIG. 7 PHOTO OF POWER SUPPLY P.C. BOARD (A5-5309) BLOCK



SPEAKER SW. P.C. BOARD (A5-5310) BLOCK

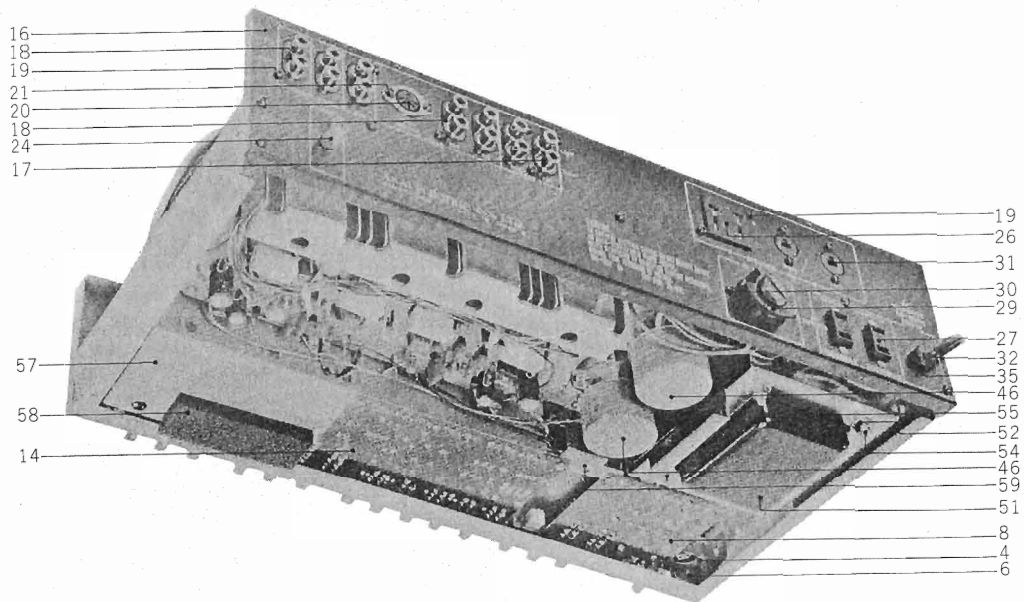
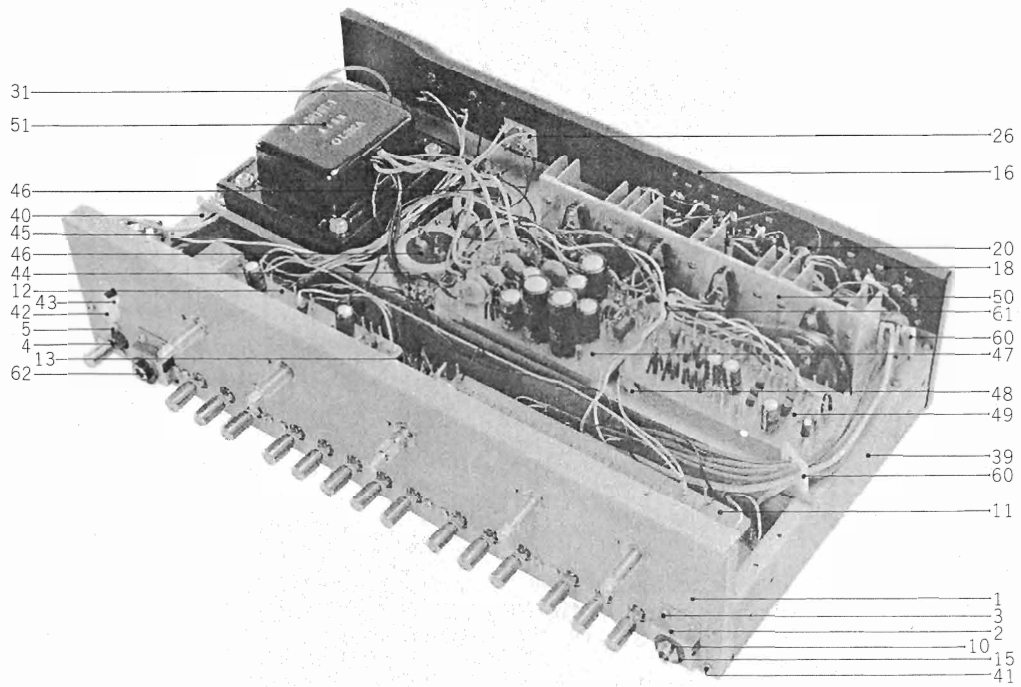
Symbol No.	Parts No.	Description	Q'ty
6-1x	BA622901	Speaker SW. P.C. Board Comp. (A5-5310)	1
6-J1	EJ391083	Mic. Jack 3PMJ1P	1
6-RL1	EP325585	Relay MY2-0-AD6 24V	1
6-L1,2	ED551711	Phase Repair Coil 2.2μH	2
6-SW1	ES616612	Push SW. 3F-0006FF2010	1
6-2	EJ539662	Wrapping Post 1x17	9
6-R1,2	ER624745	Metal Oxide Film/R. 2W 10Ω (J)	2
6-R3,4	ER624756	Metal Oxide Film/R. 2W 330Ω (J)	2

POWER SUPPLY P.C. BOARD (A5-5309) BLOCK

Symbol No.	Parts No.	Description	Q'ty
7-1x	BA622844	Power Supply P.C. Board Comp. (A5-5309)	1
7-TR1	ET393568	Transistor 2SD234 (Y) (O)	1
7-TR2	ET398711	Transistor 2SC945 (Q) (R)	1
7-D1to4	ED570295	Silicon Diode 1N4003	4
7-D5to8	ED558033	Silicon Diode HIFI 400V 3A (Special)	4
7-D9	ED570295	Silicon Diode 1N4003	1
7-D10	ED539976	Zener Diode WZ-130	1
7-D11	ED511918	Zener Diode WZ-240	1
7-2	EZ532203	Power Supply Heat-sink Plate	1
7-3	ZS522922	ISO Screw, pan head 3x6	1
7-4	EJ539662	Wrapping Post 1x17	17
Capacitor, Vertical Type			
7-C1to4	EC551160	Ceramic NB821 YZ 0.01μF (Z)	1.4 kWV 4
7-C5	EC603112	Elect. 330μF 63WV	1
7-C6	EC321221	Elect. 100μF 50WV	1
7-C7,8	EC551160	Ceramic NB821 YZ 0.01μF (Z)	1.4 kWV 2
7-C9	EC603112	Elect. 330μF 63WV	1
7-C10,11	EC321221	Elect. 100μF 50WV	2
7-C12	EC220768	Elect. 470μF 10WV	1
7-C13	EC557627	Ceramic DB203 YZ 0.01μF (Z)	50WV 1
7-C14	EC220410	Elect. 1000μF 10WV	1
7-C15	EC557627	Ceramic DB203 YZ 0.01μF (Z)	50WV 1
7-C16	EC337533	Elect. 220μF 50WV	1
Carbon Resistor Omitted.			

When ordering parts, please describe Parts Number, Serial Number, and Model Number in detail.

FIG. 8 PHOTO OF ASSEMBLY BLOCK

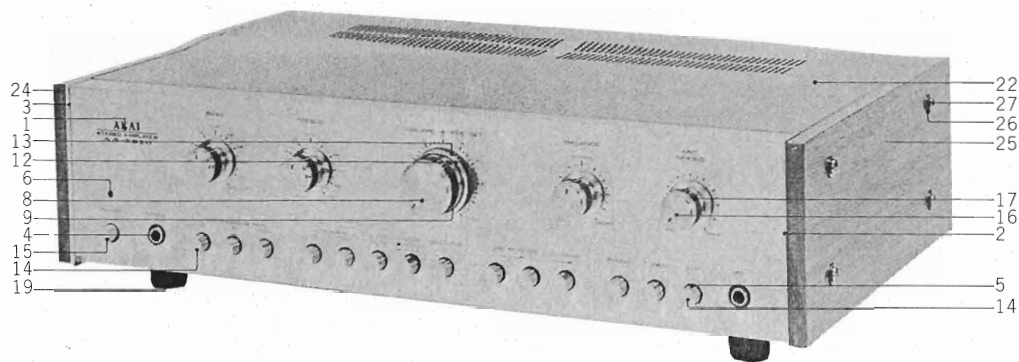


ASSEMBLY BLOCK

Ref. No.	Parts No.	Description	Schematic No.	Q'ty	Ref. No.	Parts No.	Description	Schematic No.	Q'ty
FRONT CHASSIS BLOCK									
8-1	TA610918	Front Chassis	A5-5204	1	8-50	BA622822	Main Amp. Block Comp. AA-5810		1
8-2	EZ610806	Jack Mt. Parts	A5-5205	2	8-51	BT622135	Power Trans. AA-5810T-1	38-4-320	1
8-3	ZS325495	Tapping Screw #2 3x6		4	8-52	ZW622146	Washer (SPC) D4.1x8x0.5t		4
8-4	ES469541	Push SW. TV-3 JB52	25-5-60	1	8-53x	ZW273914	Spring Washer M4		4
8-5	ZS422076	Screw, pan head 3x5		16	8-54	ZW416698	Nut M4		4
8-6	TA609761	SW. Angle	A5-5009	1	8-55	TA626218	Trans. Mt. Plate	A5-5302	1
8-7x	EC551160	Ceramic/C. NB821 YZ 0.01μF (Z) 1.4 kWV	24-5-55	1	8-56x	TA605878	Lead Protector	A5-5007	1
8-8	BA622901	Speaker SW. P.C. Board Block, AA-5810	A5-5310	1	8-57	TA626163	Shield Plate 1, w/plate 3	A5-5304	1
8-9x	EZ225180	Nylon Collar, Jack	LD-520	2	8-58	TA626130	Retaining Cushion	A5-5315	2
8-10	ZW270191	E Jack Nut		2	8-59	EZ626117	P.C. Board Support	A5-5313	1
8-11	BA622888	Vol. P.C. Board Comp. AA-5810	A5-5312	1	8-60	EJ510333	Wire Clip 220-JD481610-0104 (Nylon)	2-7-17	2
8-12	BA622877	Tone Control P.C. Board Comp. AA-5810	A5-5219	1	8-61	MZ229138	Wire Bundle Holder N-108	2-35-1	4
8-13	EZ626128	Shield Plate 2	A5-5314	1	8-62	EZ436217	Collar For Jack	MC-5006	2
8-14	BA622890	EQ. SW. P.C. Board Block AA-5810	A5-5311	1					
8-15	ZW260368	Washer (Fiber) D9.2x18x0.5t		1					
REAR PANEL BLOCK									
8-16	SP626174	Rear Panel	A5-5305	1					
8-17	EJ557875	Wrapping Pin Jack 2P	31-1-110	1					
8-18	EJ551340	Wrapping Pin Jack B T-5347 (B) 6P	31-1-102	2					
8-19	ZS570385	Tap-Tight Screw, pan head 3x8 (Black)		16					
8-20	EJ589533	5P Din Jack	31-1-111	1					
8-21	ZS447761	Tapping Screw #2 3x6 (BR) (Black)		2					
8-22x	ER452777	Carbon/R. RD1/4 160k (J) (Insu. Type)	35-9-5	2					
8-23x	ER364994	Carbon/R. RD1/4 39k (J) (Insu. Type)	35-9-5	2					
8-24	EJ603731	Metal Terminal	32-1-54	1					
8-25x	ZW273802	Toothed Lock Washer M3		1					
8-26	EJ551316	Speaker Consent P0409	31-1-98	1					
8-27	EJ378944	Socket, AC U/L S-I 9122	31-1-47	2					
8-28x	EC551160	Ceramic/C. NB821 YZ 0.01μF (Z) 1.4 kWV	24-5-55	1					
8-29	EJ233370	Socket S-18010 (Volt. Selector)	40-2-3	1					
8-30	ZS421740	Screw, pan head 3x8 (Black)		2					
8-31	EJ602886	Socket CS-220	31-1-117	2					
8-32	EW524845	AC Cord 2.5M (J)	26-3-31	1					
8-33x	EW374894	U/L AC Cord 3M	26-3-19	1					
8-34x	EW315448	Australia Cord (3 core)	26-3-11	1					
8-35	EZ382263	Strain Relief SR-4K-4	2-7-12	1					
8-36x	EZ246936	Strain Relief SR-6W-1 (3 core)	2-7-8	1					
8-37x	ZW562487	Earth Lug M4		1					
8-38x	ZW273756	Nut M3		4					
ASSEMBLY BLOCK									
8-39	TA605924	Side Plate Metal Parts A (Right)	A5-5002	1					
8-40	TA606058	Side Plate Metal Parts B (Left)	A5-5002	1					
8-41	ZS325495	Tapping Screw #2 3x6		18					
8-42	EL443520	Pilot Lamp (L/T) 8V 80MA (60M/Mx2)	28-2-22	1					
8-43	TA510502	Lamp Holder	T5-5035	1					
8-44	EJ551035	Wrapping Terminal T-5251 4P	32-1-36	2					
8-45	EJ254957	Lug Plate KP1L	33-3-2	1					
8-46	EC551024	Elect./C. 6800μF 50WV (Lug Type)	24-10-82	2					
8-47	BA622844	Power Supply P.C. Board Comp. AA-5810	A5-5309	1					
8-48	EJ514034	PC Support	2-7-20	8					
8-49	BA622855	Protector P.C. Board Comp. AA-5810	94-5010	1					

When ordering parts, please describe Parts Number, Serial Number, and Model Number in detail.

FIG. 9 PHOTO OF FINAL ASSEMBLY BLOCK



FINAL ASSEMBLY BLOCK

Ref. No.	Parts No.	Description	Schematic No.	Q'ty
9-1	SP626196	Front Panel	A5-5307	1
9-2	TA609816	Side Fitting (Right)	A5-5017	1
9-3	TA609794	Side Fitting (Left)	A5-5017	1
9-4	EZ436217	Collar For Jack	MC-5006	2
9-5	TA545905	Push Button Bush	98-5061	15
9-6	SZ457975	Lamp Lens B	55-5012	1
9-7x	ZS447840	Tapping Screw #2 3x8 (BR)		3
9-8	SK609838	Volume Knob	A5-5049	1
9-9	MB609851	Knob Rubber Ring C (D=28)	A5-5054	1
9-10x	ZS444240	Set Screw, hexagon socket 4x8 (Cup/p.)		1
9-11x	ZW493312	Washer (Nylon) D6.2x10x1t		1
9-12	SK631192	Memory Knob Ring	A5-5048	1
9-13	SK605880	Knob Rubber Ring D (D=33)	A5-5055	1
9-14	SK531224	Push Button Knob	91-5051	14
9-15	SK627524	Push Button Knob G(Orange)	91-5051	1
9-16	SK627535	Single Knob B-2	A5-5053	4
9-17	MB551092	Single Knob Rubber Ring	3-10-8	4
9-18x	BC610907	Bottom Plate	A5-5210	1
9-19	SA616590	Tran Leg G	2-6-12	4
9-20x	ZS447840	Tapping Screw #2 3x8 (BR)		12
9-21x	ZW559135	Tapping Screw #2 4x18 pan head		4
9-22	SP606036	Upper Plate	A5-5019	1
9-23x	ZS447761	Tapping Screw #2 3x6 (BR) (Black)		2
9-24	SP605946	Side Plate A (Left)	A5-5020	1
9-25	SP606047	Side Plate B (Right)	A5-5020	1
9-26	ZW602381	Washer (SPC) D4.2x11x1t		8
9-27	ZW552824	SIO Screw, binding head 4x18		8
9-28x	EF563657	Fuse 3A 250V	39-1-50	1
9-29x	EF563692	Fuse 1.5A 250V	39-1-50	1
9-30x	EJ552778	Short Pin Plug ASB-2	42-1-65	2
9-31x	EJ550912	Speaker Plug ASP-1	42-1-64	2
9-32x	EJ602346	Speaker Plug CP045-1-1	42-1-75	2
9-33x	EW602357	Pin Plug Cord TP-M6	42-1-74	4

When ordering parts, please describe Parts Number, Serial Number, and Model Number in detail.

SECTION 3

PARTS LIST

AA-5510

TABLE OF CONTENTS

Fig. 10	EQ. SW. P.C. BOARD (A5-5217) BLOCK	28
Fig. 11	VOL. CONTROL P.C. BOARD (A5-5218) BLOCK	28
Fig. 12	TONE CONTROL P.C. BOARD (A5-5219) BLOCK	28
Fig. 13	MAIN AMP. P.C. BOARD (92-5005) BLOCK	30
Fig. 14	SPEAKER SW. P.C. BOARD (A5-5215) BLOCK.....	31
Fig. 15	POWER SUPPLY P.C. BOARD (A5-5216) BLOCK	31
Fig. 16	ASSEMBLY BLOCK	32
Fig. 17	FINAL ASSEMBLY BLOCK	34
INDEX	35

FIG. 10 PHOTO OF EQ. SW. P.C. BOARD (A5-5217) BLOCK

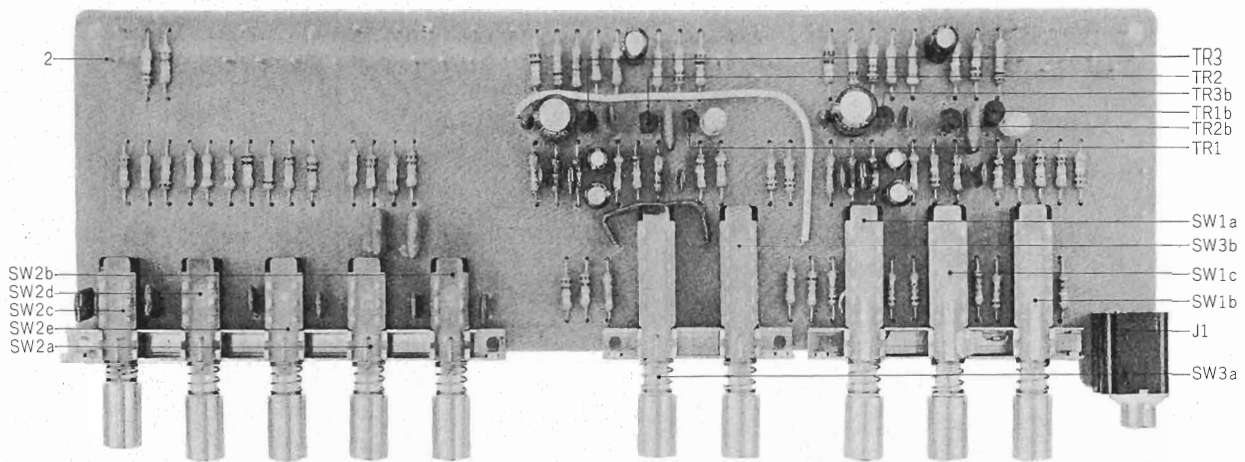


FIG. 11 PHOTO OF VOL. CONTROL P.C. BOARD (A5-5218) BLOCK

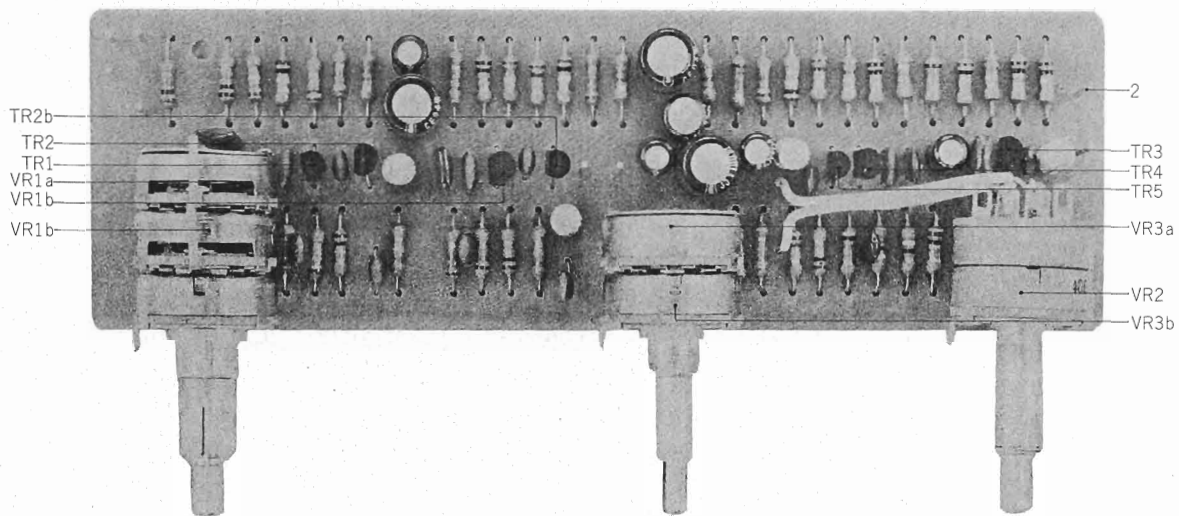
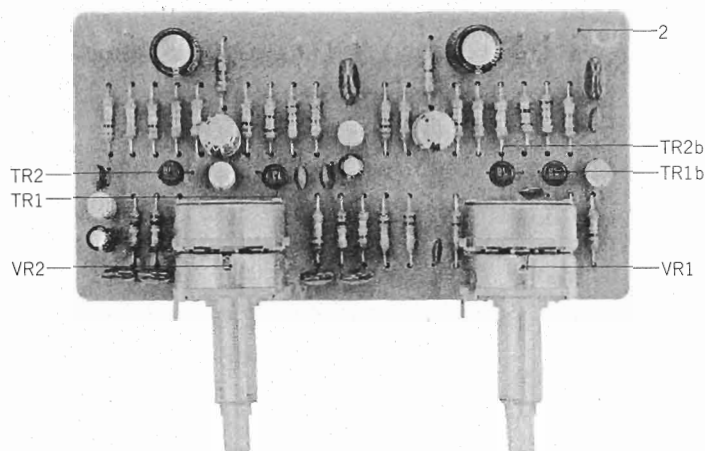


FIG. 12 PHOTO OF TONE CONTROL P.C. BOARD (A5-5219) BLOCK



EQ. SW. P.C. BOARD (A5-5217) BLOCK

Symbol No.	Parts No.	Description	Q'ty
10-1x	BA616792	E.Q. SW. P.C. Board Comp. (A5-5217)	1
10-TR1,2,3	ET602460	Transistor 2SC1313 (F) (G) (H)	6
10-SW1	ES623968	Push SW. 3FT-0001FF1320	1
10-SW2	ES628672	Push SW. 5FT-0004FF-1320	1
10-SW3	ES551272	Push SW. 2FS-8U-70	1
10-J1	EJ391094	Mic. Jack 2PMJ1P	1
10-2	EJ539662	Wrapping Post 1x17	34
Capacitor, Vertical Type			
10-C1	EC220994	Elect. 10 μ F 25WV	2
10-C2	EC478945	Elect. 2.2 μ F 25WV NL	2
10-C3	EC302264	Mylar 0.001 μ F (K) 50WV	2
10-C4	EC460888	Elect. 10 μ F 35WV	2
10-C5	EC311793	Mylar 0.012 μ F (J) 50WV	2
10-C6	EC290575	VFM 330PF (K) 50WV	2
10-C7	EC391004	Mylar 0.0033 μ F (J) 50WV	2
10-C8	EC331828	Elect. 3.3 μ F 25WV	2
10-C9	EC302264	Mylar 0.001 μ F (K) 50WV	2
10-C10	EC496866	Tantalum 0.47 μ F (M) 35WV (DTS Type)	2
10-C11	EC346735	Elect. 47 μ F 50WV	2
10-C12	EC368335	Mylar 0.022 μ F (J) 50WV	2
10-C13	EC336194	VFM 270PF (J) 50WV	2
10-C14	EC379157	Mylar 0.033 μ F (J) 50WV	2
10-C15	EC250975	Mylar 0.015 μ F (J) 50WV	2
Carbon Resistor Omitted.			

TONE CONTROL P.C. BOARD (A5-5219) BLOCK

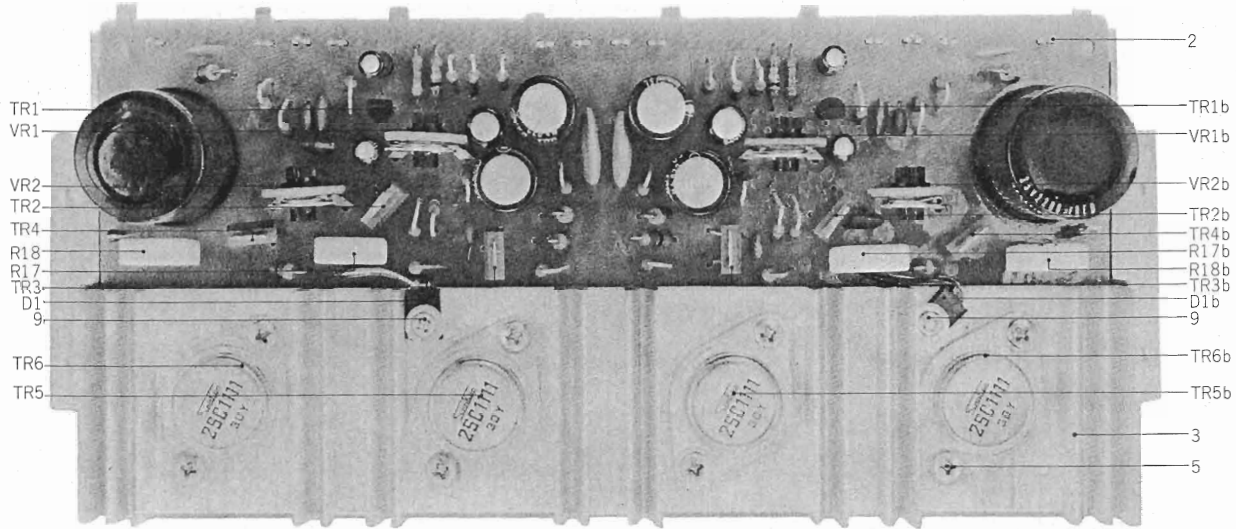
Symbol No.	Parts No.	Description	Q'ty
12-1x	BA616781	Tone Control P.C. Board Comp. (A5-5219)	1
12-TR1,2	ET539987	Transistor 2SC1312 (F) (G)	4
12-VR1,2	EV602458	Co-axial 2-throw/Vol. V24L5GPHN 1 kB 100kx2	2
12-2	EJ539662	Wrapping Post 1x17	7
Capacitor, Vertical Type			
12-C1	EC313323	Mylar 0.068 μ F (K) 50WV	2
12-C2	EC474671	VFM 10PF (K) 50WV	2
12-C3	EC478945	Elect. 2.2 μ F 25WV NL	2
12-C4,5	EC379157	Mylar 0.033 μ F (J) 50WV	4
12-C6	EC362068	Mylar 0.0018 μ F (K) 50WV	2
12-C7	EC556525	FM 22PF (K) 500WV	2
12-C8	EC331828	Elect. 3.3 μ F 25WV	2
12-C9	EC336104	Elect. 100 μ F 6.3WV	2
12-C10	EC478945	Elect. 2.2 μ F 25WV NL	2
12-C11	EC590837	Elect. 47 μ F 35WV	2
Carbon Resistor Omitted.			

VOL. CONTROL P.C. BOARD (A5-5218) BLOCK

Symbol No.	Parts No.	Description	Q'ty
11-1x	BA616814	Vol. Control P.C. Board Comp. (A5-5218)	1
11-TR1	ET539987	Transistor 2SC1312 (F) (G)	2
11-TR2	ET460912	Transistor 2SA640 (L) (M)	2
11-TR3,4	ET539987	Transistor 2SC1312 (F) (G)	2
11-TR5	ET460912	Transistor 2SA640 (L) (M)	1
11-VR1	EV616623	Co-axial 2-throw/Vol. (w/pre set) V24L5DGM 2BM 250kx2	1
11-VR2	EV616634	Vol. (w/switch) VJ11R-SF22 50kA	1
11-VR3	EV616645	Co-axial 2-throw/Vol. V24L5GPHN 1Z 250kx2	1
11-2	EJ539662	Wrapping Post 1x17	8
Capacitor, Vertical Type			
11-C1	EC459505	Mylar 0.039 μ F (K) 50WV	2
11-C2	EC290542	VFM 120PF (K) 50WV	2
11-C3	EC556018	VFM 30PF (K) 50WV	2
11-C4	EC556525	FM 22PF (K) 500WV	2
11-C5	EC329771	Elect. 47 μ F 6.3WV	2
11-C6	EC478945	Elect. 2.2 μ F 25WV NL	2
11-C7	EC455354	Elect. 100 μ F 35WV	2
11-C8	EC357827	VFM 50PF (K) 50WV	2
11-C9	EC493323	Elect. 1 μ F 25WV NL	1
11-C10	EC357827	VFM 50PF (K) 50WV	1
11-C11	EC329771	Elect. 47 μ F 6.3WV	1
11-C12	EC405044	Elect. 22 μ F 35WV	1
11-C13	EC313323	Mylar 0.068 μ F (K) 50WV	1
11-C14	EC250964	Mylar 0.012 μ F (K) 50WV	1
11-C15	EC329771	Elect. 47 μ F 6.3WV	1
11-C16	EC290542	VFM 120PF (K) 50WV	1
11-C17	EC557381	Mylar 0.0012 μ F (K) 50WV	1
11-C18	EC556525	FM 22PF (K) 500WV	1
11-C19	EC455354	Elect. 100 μ F 35WV	1
11-C20	EC478945	Elect. 2.2 μ F 25WV NL	1
Carbon Resistor Omitted.			

When ordering parts, please describe Parts Number, Serial Number, and Model Number in detail.

FIG. 13 PHOTO OF MAIN AMP. P.C. BOARD (92-5005) BLOCK



MAIN AMP. P.C. BOARD (92-5005) BLOCK

Symbol No.	Parts No.	Description	Q'ty
13-1x	BA616757	Main Amp. P.C. Board Comp. (92-5005)	1
13-TR1	ET539987	Transistor 2SC1312 (F) (G)	2
13-TR2,3	ET551564	Transistor 2SC1124 (1) (2)	4
13-TR4	ET556020	Transistor 2SA706-3 (1) (2)	2
13-TR5,6	ET556648	Transistor 2SC1111 (O) (Y)	4
13-D1	ED556514	Varistor STV-3H	2
13-VR1	EV383398	Semi-fixed/Vol. V18K3-2 30 kB (4US)	2
13-VR2	EV409858	Semi-fixed/Vol. V18K3-2 100ΩB (4US)	2
13-2	EJ539728	Wrapping Terminal T4434	12
13-3	EZ542755	Heat-sink B	1
13-4	TA610536	Transistor Mt. Plate A	4
13-5	ZS419861	Screw, binding head 3x16	8
13-6	ZW273756	Nut M3	8
13-7	ZW273745	Spring Washer M3	8
13-8	ZW273802	Toothed Lock Washer M3	8
13-9	ZS608332	Screw, pan head 3x8, w/washer	2
13-R17,18	ER622978	Metal Plate/R. MPC71F1 5W 0.47Ω (K)	4
Capacitor, Vertical Type			
13-C1	EC539943	Elect. 3.3μF 50WV	2
13-C2	EC290531	VFM 100PF (K) 50WV	2
13-C3	EC321221	Elect. 100μF 50WV	2
13-C4	EC539943	Elect. 3.3μF 50WV	2
13-C5	EC321221	Elect. 100μF 50WV	2
13-C6	EC290531	VFM 100PF (K) 50WV	2
13-C7	EC220364	Elect. 100μF 6.3WV	2
13-C8	EC556176	Elect. 2200μF 35WV	2
13-C9	EC487394	VFM 47PF (K) 50WV	2
13-C10	EC384085	Ceramic DB205 YZ 0.022μF (Z) 50WV	2
13-C11	EC551160	Ceramic NB821 YZ 0.01μF (Z) 1.4 kWV	2
13-C12	EC357827	VFM 50PF (K) 50WV Carbon Resistor Omitted.	2

When ordering parts, please describe Parts Number, Serial Number, and Model Number in detail.

FIG. 14 PHOTO OF SPEAKER SW.
P.C. BOARD (A5-5215) BLOCK

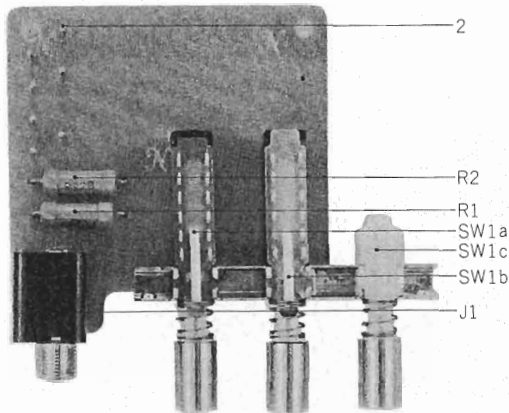
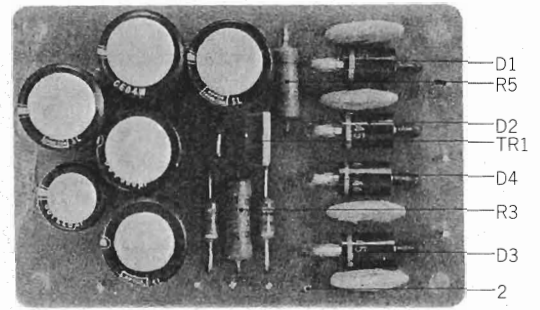


FIG. 15 PHOTO OF POWER SUPPLY
P.C. BOARD (A5-5216) BLOCK



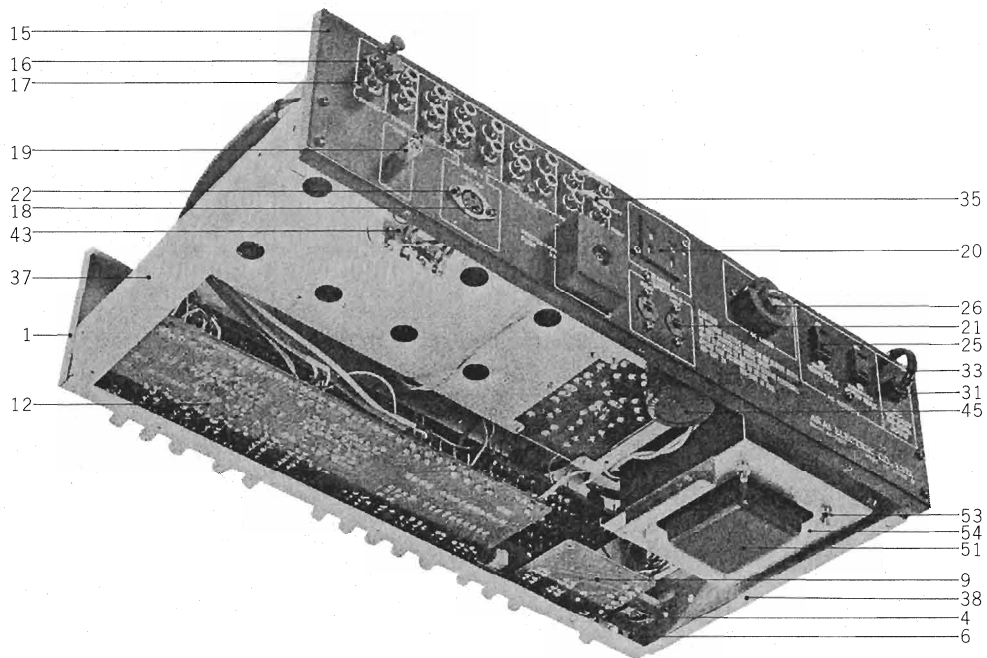
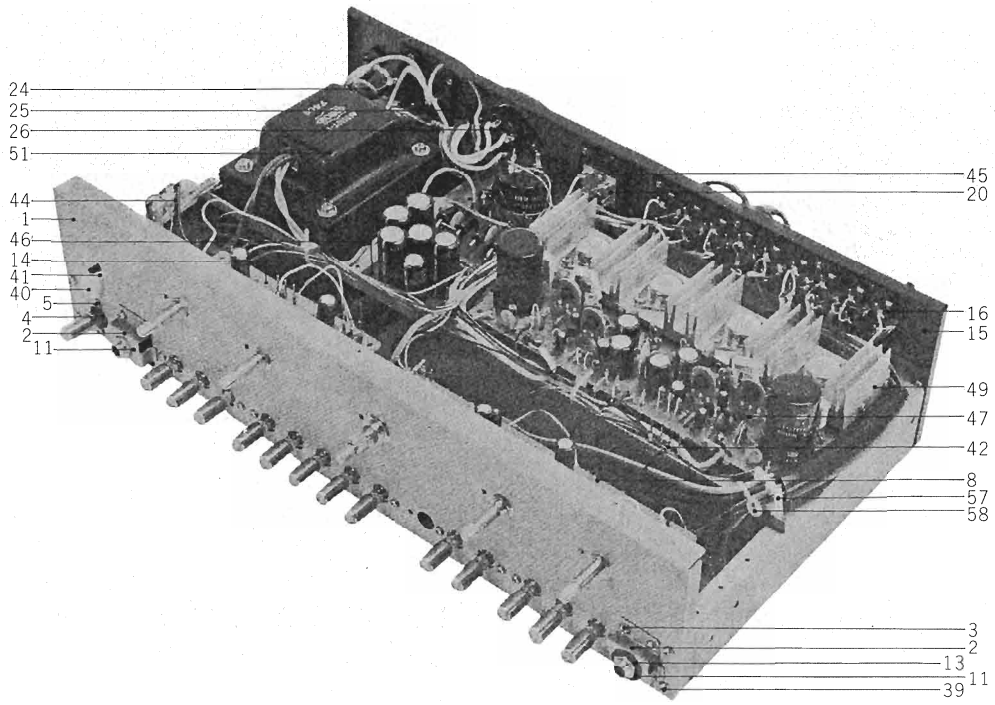
SPEAKER SW. P.C. BOARD (A5-5215) BLOCK

Symbol No.	Parts No.	Description	Q'ty
14-1x	BA616803	Speaker SW. P.C. Board Comp. (A5-5215)	1
14-SW1	ES616612	Push SW. 3F-0006FF2010	1
14-J1	EJ391083	Mic. Jack 3PMJ1P	1
14-2	EJ539662	Wrapping Post 1x17	7
14-R1,2	ER515070	Metal Oxide Film/R. 2W 150Ω (K)	2

POWER SUPPLY P.C. BOARD (A5-5216) BLOCK

Symbol No.	Parts No.	Description	Q'ty
15-1x	BA616768	Power Supply P.C. Board Comp. (A5-5216)	1
15-TR1	ET556086	Transistor 2SD313 (D) (E)	1
15-D1to4	ED556110	Silicon Diode SR3AM-4	4
15-2	EJ539662	Wrapping Post 1x17	8
15-R3	ER490836	Metal Oxide Film/R. 2W 560Ω (K)	1
15-R5	ER372093	Metal Oxide Film/R. 1W 330Ω (K)	1
Capacitor, Vertical Type			
15-C1	EC603112	Elect. 330μF 63WV	1
15-C2	EC372148	Elect. 220μF 35WV	1
15-C3	EC403468	Elect. 330μF 50WV	1
15-C4to6	EC603112	Elect. 330μF 63WV	3
15-C7to10	EC551160	Ceramic NB821 YZ 0.01 μF (Z) 1.4 kWV	4
Carbon Resistor Omitted.			

FIG. 16 PHOTO OF ASSEMBLY BLOCK



ASSEMBLY BLOCK

Ref. No.	Parts No.	Description	Schematic No.	Q'ty	Ref. No.	Parts No.	Description	Schematic No.	Q'ty
FRONT CHASSIS BLOCK									
16-1	TA610918	Front Chassis	A5-5204	1	16-52x	ZW273914	Spring Washer M4		4
16-2	EZ610806	Jack Mt. Parts	A5-5205	2	16-53	ZW416698	Nut M4		4
16-3	ZS325495	Tapping Screw #2 3x6		4	16-54	MZ610828	Trans. Mt. Table	A5-5202	1
16-4	ES469541	Push SW. TV-3 JB52	25-5-60	1	16-55x	ZS447840	Tapping Screw #2 3x8 (BR)		20
16-5	ZS422076	Screw, pan head 3x5		12	16-56x	TA605878	Lead Protector	A5-5007	2
16-6	TA609761	SW. Angle	A5-5009	1	16-57	EJ510333	Wire Clip 220-JD481610-0104 (Nylon)	2-7-17	1
16-7x	EC551160	Ceramic/C. NB821 YZ 0.01μF (Z) 1.4 kWV	24-5-55	1	16-58	MZ229138	Wire Bundle Holder N-108	2-35-1	3
16-8	BA616814	Vol. Control P.C. Board Comp. AA-5510	A5-5218	1					
16-9	BA616803	SP. SW. P.C. Board Comp. AA-5510	A5-5215	1					
16-10x	EZ225180	Nylon Collar, Jack	LD-520	2					
16-11	ZW270191	E Jack Nut		2					
16-12	BA616792	EQ SW. P.C. Board Comp. AA-5217	A5-5217	1					
16-13	ZW260368	Washer (Fiber)D9.2x18x0.5t		1					
16-14	BA616781	Tone Control P.C. Board Comp. (AA-5510)	A5-5219	1					
REAR PANEL BLOCK									
16-15	SP610896	Rear Panel	A5-5206	1					
16-16	EJ551340	Wrapping Pin Jack B T-5347 (B) 6P	31-1-102	3					
16-17	ZS570385	Tap-Tight Screw, pan head 3x8 (Black)		6					
16-18	EJ378990	Jack, 5P Din S-1 8123	31-1-1	1					
16-19	EZ486257	Metal Terminal T-10	32-1-27	1					
16-20	EJ551316	Speaker Consent P0409	31-1-98	1					
16-21	EJ602886	Socket CS-220	31-1-117	2					
16-22	ZS421740	Screw, pan head 3x8		6					
16-23x	ZW273756	Nut M3		4					
16-24	EC551160	Ceramic/C. NB821 YZ 0.01μF (Z) 1.4 kWV	24-5-55	1					
16-25	EJ378944	Socket, AC U/L S-1 9122		2					
16-26	EJ233370	Socket S-18010 (Volt. Selector)	40-2-3	1					
16-27x	ER452777	Carbon/R. RD1/4 160k (J) (Insu. Type)	35-9-5	2					
16-28x	ER364994	Carbon/R. RD1/4 39k (J) (Insu. Type)	35-9-5	2					
16-29x	EJ539796	2P Fuse Holder	40-1-29	1					
16-30x	ZS463353	Tapping Screw #2 3x8 (BR) (Black)		2					
16-31	EZ382263	Strain Relief SR-4K-4	2-7-12	1					
16-32x	EZ246936	Strain Relief SR-6W-1 (3 core)	2-7-8	1					
16-33	EW374894	AC Cord 2.5M (CUL)	26-3-19	1					
16-34x	EW315448	Australia Cord (3 core)	26-3-11	1					
16-35	EJ554578	Short Plug	42-1-66	2					
16-36x	ZW318341	Earth Lug M3 (Special)		1					
ASSEMBLY BLOCK									
16-37	TA605924	Side Plate Metal Parts A (Right)	A5-5002	1					
16-38	TA606058	Side Plate Metal Parts B (Left)	A5-5002	1					
16-39	ZS325495	Tapping Screw #2 3x6		18					
16-40	EL458864	Pilot Lamp (L/T) 8V 80MA (150M/Mx2)	28-2-22	1					
16-41	TA510502	Lamp Holder	T5-5035	1					
16-42	EJ551035	4P Wrapping Terminal T-5251	32-1-36	2					
16-43	EJ255025	Lug Plate KP2L1	33-3-4	1					
16-44	EJ254957	Lug Plate KP1L	33-3-2	1					
16-45	EC616533	Elect./C. 3300μF 63WV (Lug Type)	24-10-97	1					
16-46	BA616768	Power Supply P.C. Board Comp. AA-5510	A5-5216	1					
16-47	BA616757	Main Amp. P.C. Board Comp. AA-5510	92-5005	1					
16-48x	ZS422076	Screw, pan head 3x5		4					
16-49	EZ610784	Heat-sink Mt. Plate A(Right)	A5-5203	1					
16-50x	EZ610795	Heat-sink Mt. Plate B(Left)	A5-5203	1					
16-51	BT616544	Power Trans. AA-5510T-1	38-4-287	1					

When ordering parts, please describe Parts Number, Serial Number, and Model Number in detail.

FIG. 17 PHOTO OF FINAL ASSEMBLY BLOCK



FINAL ASSEMBLY BLOCK

Ref. No.	Parts No.	Description	Schematic No.	Q'ty
17-1	EZ436217	Collar For Jack	MC-5006	2
17-2	SK609838	Volume Knob	A5-5049	1
17-3	MB609851	Knob Rubber Ring C	A5-5054	1
17-4x	ZS444240	Set Screw, hexagon socket 4x8 (Cup/p.)		1
17-5x	ZW493312	Washer (Nylon) D6.2x10x1t		1
17-6	SK631192	Memory Knob Ring	A5-5048	1
17-7	MB605880	Knob Rubber Ring D	A5-5055	1
17-8	SK531224	Push Button Knob	91-5051	13
17-9	SK627524	Push Button Knob G (Orange)	91-5051	1
17-10	SK627535	Single Knob B-2	A5-5053	4
17-11	MB551092	Single Knob Rubber Ring	3-10-8	4
17-12x	BC610907	Bottom Plate	A5-5210	1
17-13	SA616590	Tran Leg G	2-6-12	4
17-14x	ZW559135	Tapping Screw #2 4x18 pan head		4
17-15	SP606036	Upper Plate	A5-5019	1
17-16	SP605946	Side Plate A (Right)	A5-5020	1
17-17	SP606047	Side Plate B (Left)	A5-5020	1
17-18	ZW616656	Washer (SPC) D4.1x11x1t		8
17-19	ZW552824	ISO Screw, binding head 4x18 (Black)		8
17-20x	EF563681	Fuse 1A 250V	39-1-50	1
17-21x	EF563703	Fuse 2A 250V	39-1-50	1
17-22x	EF277413	Fuse ST-2 2A	39-1-26	2
17-23x	TA539537	2P Fuse Holder Cover	2-34-78	1
17-24x	ZS355522	Screw, pan head 3x6		1
17-25	SP610885	Front Panel	A5-5208	1
17-26	TA609816	Side Fitting (Right)	A5-5017	1
17-27	TA609794	Side Fitting (Left)	A5-5017	1
17-28	TA549505	Push Button Bush	98-5061	14
17-29	SZ457975	Lamp Lens B	55-5012	1
17-30x	EJ552778	Short Pin Plug ASB-2	42-1-65	2
17-31x	EJ550912	Speaker Plug	42-1-64	2
17-32x	EJ602346	Speaker Plug	42-1-75	2
17-33x	EW602357	Pin Plug Cord	42-1-74	4

When ordering parts, please describe Parts Number, Serial Number, and Model Number in detail.

INDEX

Parts No.	Ref. No. & Symbol No.	Parts No.	Ref. No. & Symbol No.	Parts No.	Ref. No. & Symbol No.	Parts No.	Ref. No. & Symbol No.	Parts No.	Ref. No. & Symbol No.
TA606058	16-38	ZS419861	13-5	ZW260368	16-13	ZW559135	17-14x		
TA609761	8-6	ZS421740	8-30	ZW270191	8-10	ZW602381	9-26		
TA609761	16-6	ZS421740	16-22	ZW270191	16-11	ZW616656	17-18		
TA609794	9-3	ZS422076	8-5	ZW273745	13-7	ZW622146	8-52		
TA609794	17-27	ZS422076	16-5	ZW273756	8-38x				
TA609816	9-2	ZS422076	16-48x	ZW273756	13-6				
TA609816	17-26	ZS444240	9-10x	ZW273756	16-23x				
TA610536	13-4	ZS444240	17-4x	ZW273802	8-25x				
TA610918	8-1	ZS447761	8-21	ZW273802	13-8				
TA610918	16-1	ZS447761	9-23x	ZW273914	8-53x				
TA626130	8-58	ZS447840	9-7x	ZW273914	16-52x				
TA626163	8-57	ZS447840	16-55x	ZW318341	16-36x				
TA626218	8-55	ZS447840	9-20x	ZW416698	8-54				
ZS325495	4-12	ZS463353	16-30x	ZW416698	16-53				
ZS325495	8-3	ZS522922	7-3	ZW493312	9-11x				
ZS325495	8-41	ZS570385	8-19	ZW493312	17-5x				
ZS325495	16-3	ZS570385	16-17	ZW552824	9-27				
ZS325495	16-39	ZS608332	13-9	ZW552824	17-19				
ZS355522	17-24x	ZS609535	4-8x	ZW562487	8-37x				
ZS379350	4-11x	ZW260368	8-15	ZW559135	9-21x				

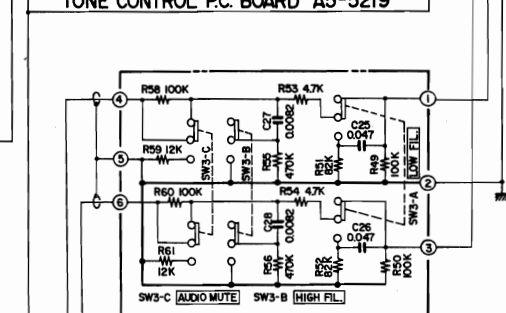
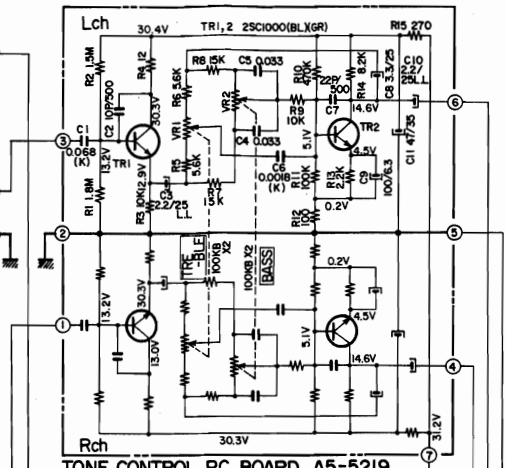
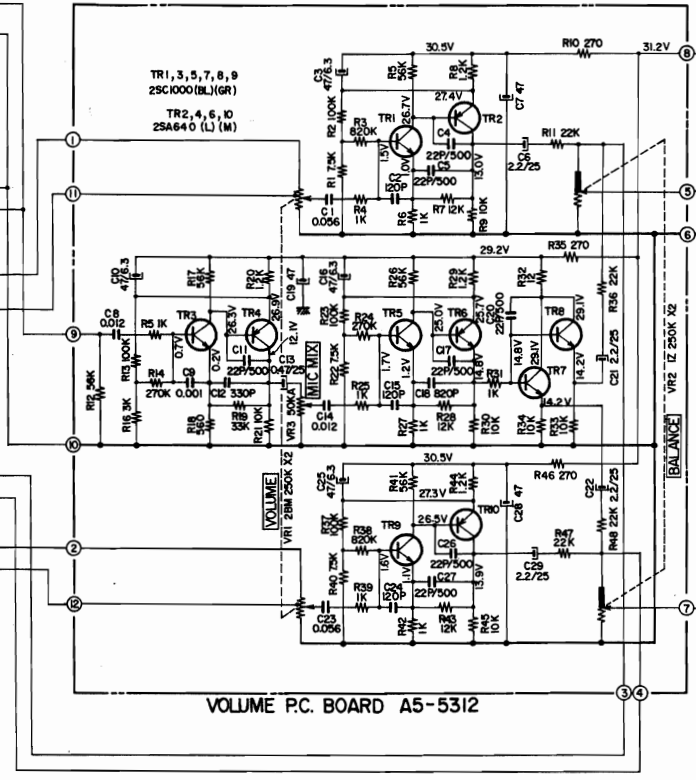
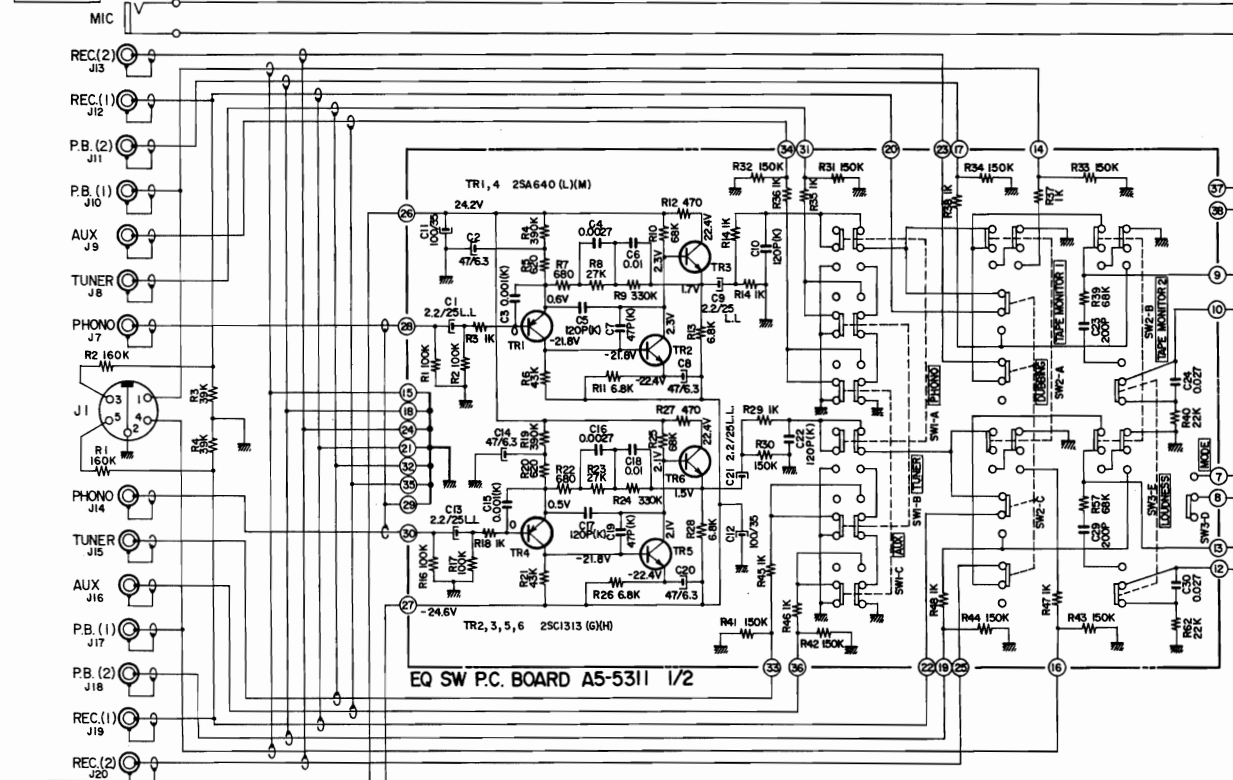
SECTION 4

SCHEMATIC DIAGRAM

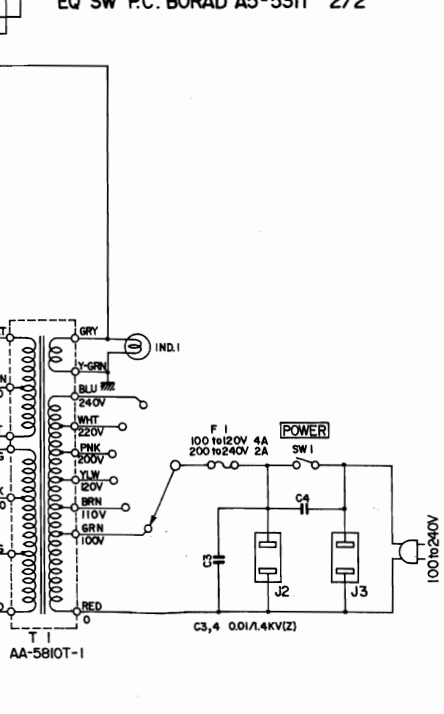
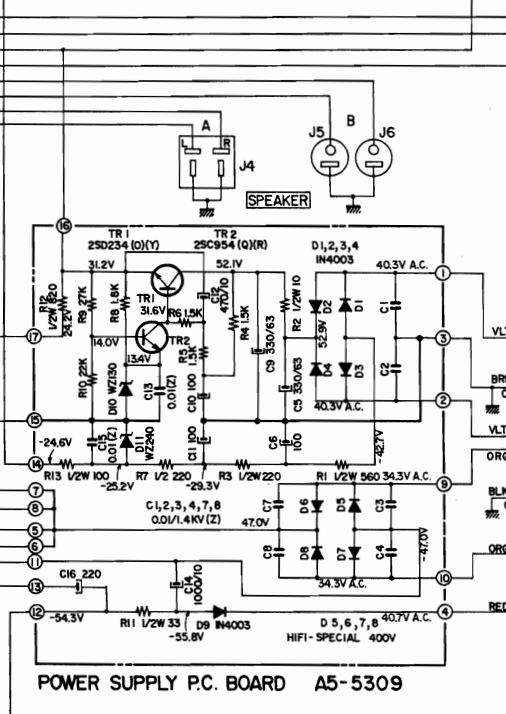
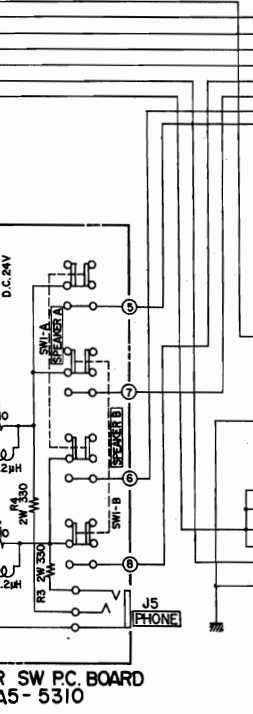
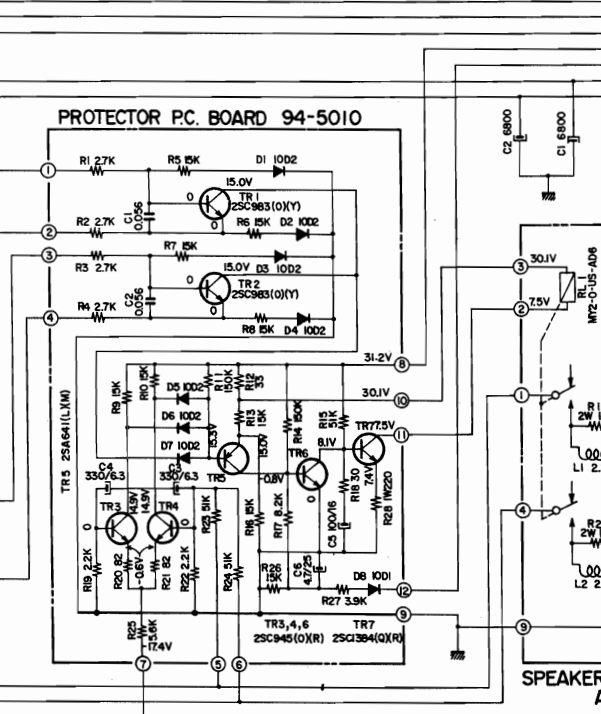
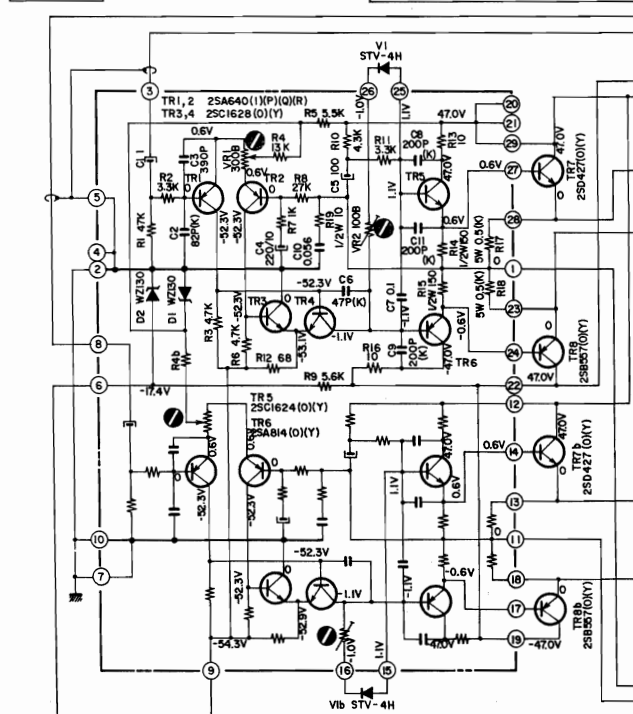
1. AA-5810 SCHEMATIC DIAGRAM
2. AA-5510 SCHEMATIC DIAGRAM

AA-5810

LEFT CH.



RIGHT CH.



MAIN AMP P.C. BOARD 94-5013

PROTECTOR P.C. BOARD 94-5010

SPEAKER SW P.C. BOARD A5-5310

POWER SUPPLY P.C. BOARD A5-5309

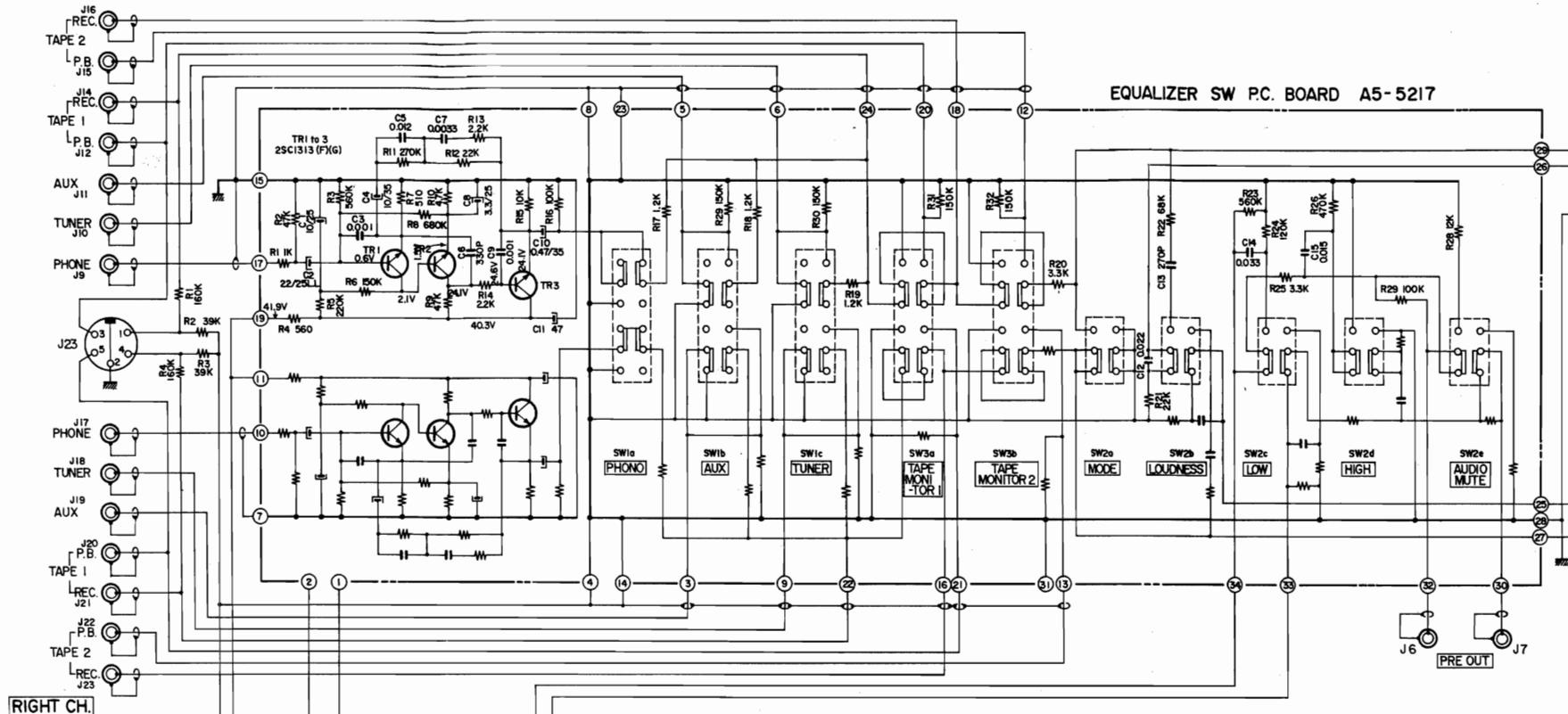
EQ SW P.C. BOARD A5-5311 2/2

NOTE
1. UNLESS OTHERWISE SPECIFIED
ALL RESISTORS IN Ω (W)(J)
ALL CAPACITORS IN μF (30W.V.(J))
2. L.L. INDICATES LOW LEAKAGE
CAPACITORS

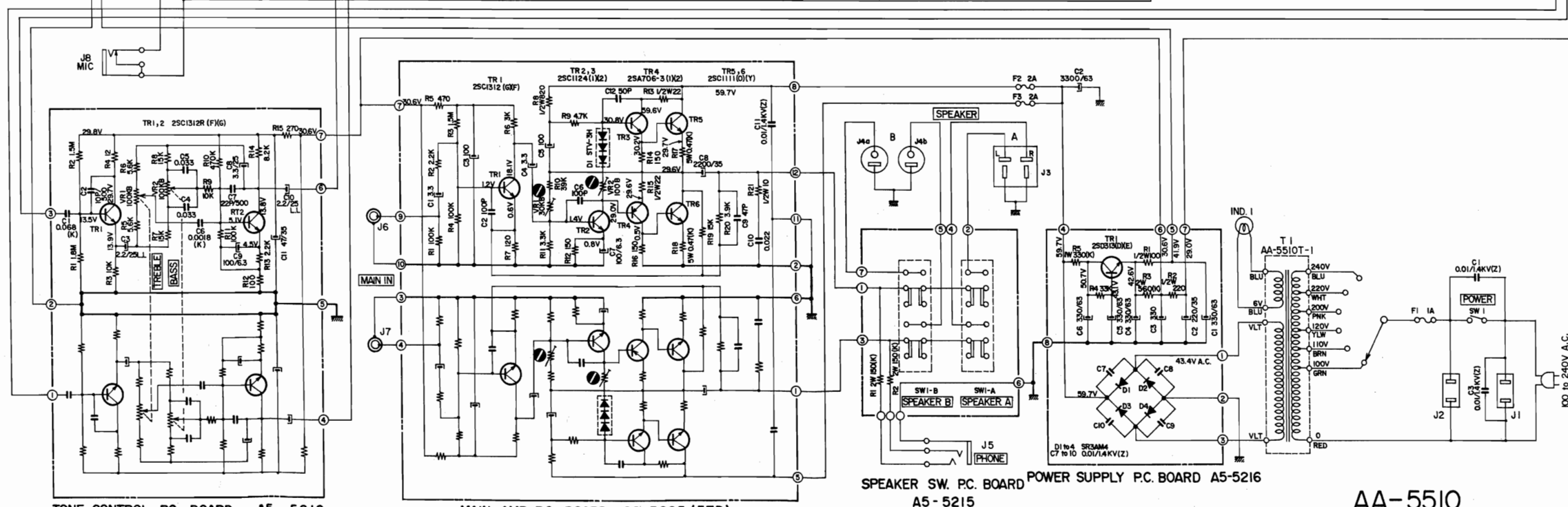
AA-5810
SCHEMATIC DIAGRAM
No. 1500618A

AA-5510

LEFT CH.



RIGHT CH.



NOTE
 1. UNLESS OTHERWISE SPECIFIED
 ALL RESISTORS IN Ω , 1/4W (J)
 ALL CAPACITORS IN μ F 50W.V. (J)
 2. L.L. INDICATES LOW LEAKAGE CAPACITORS

AA-5510
 SCHEMATIC DIAGRAM
 No. 1500620A