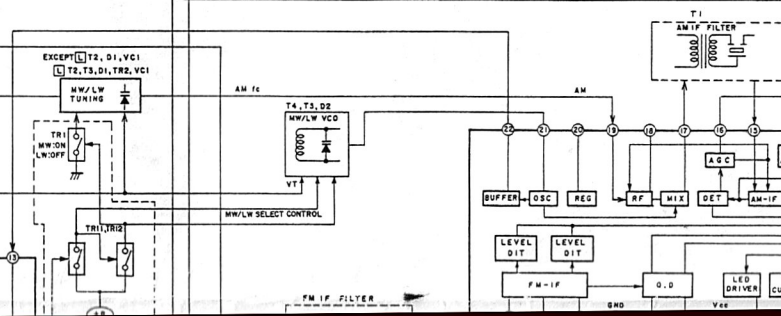
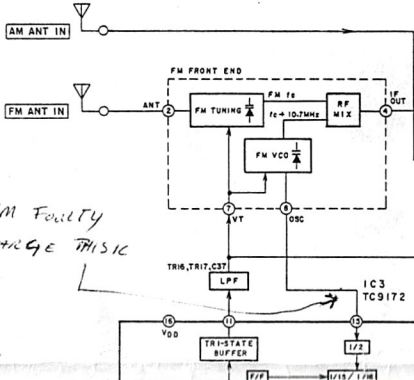
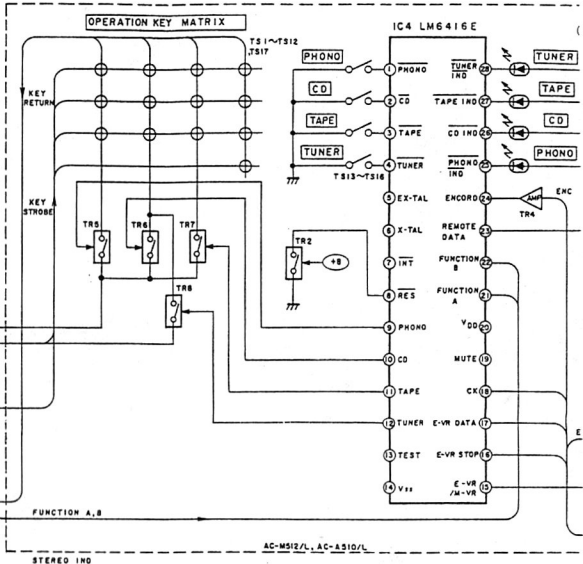
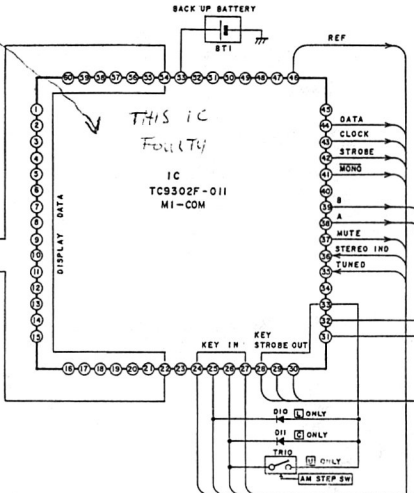
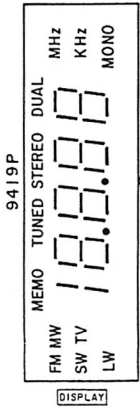
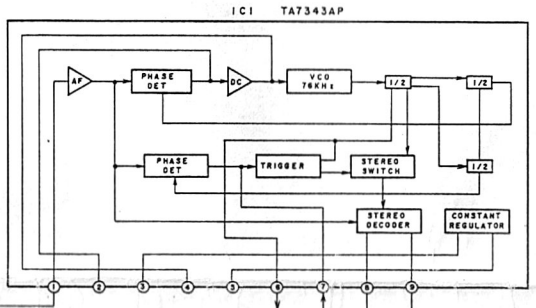
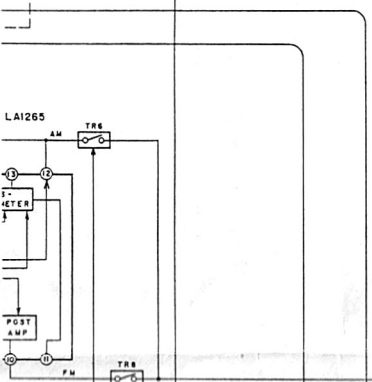
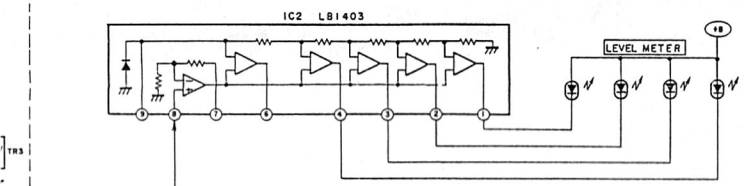
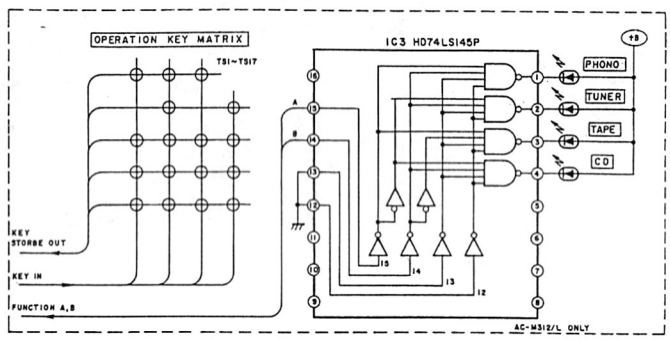
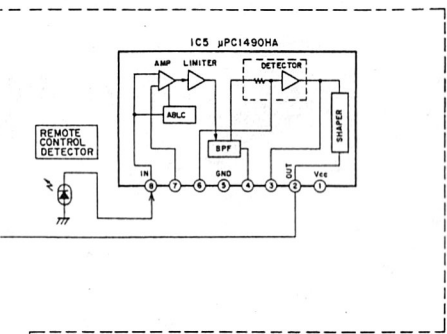


AC-M312/L, AC-M512/L  
 AC-A510/L  
 DECK BLOCK DIAGRAM  
 No. 2-1 870430A

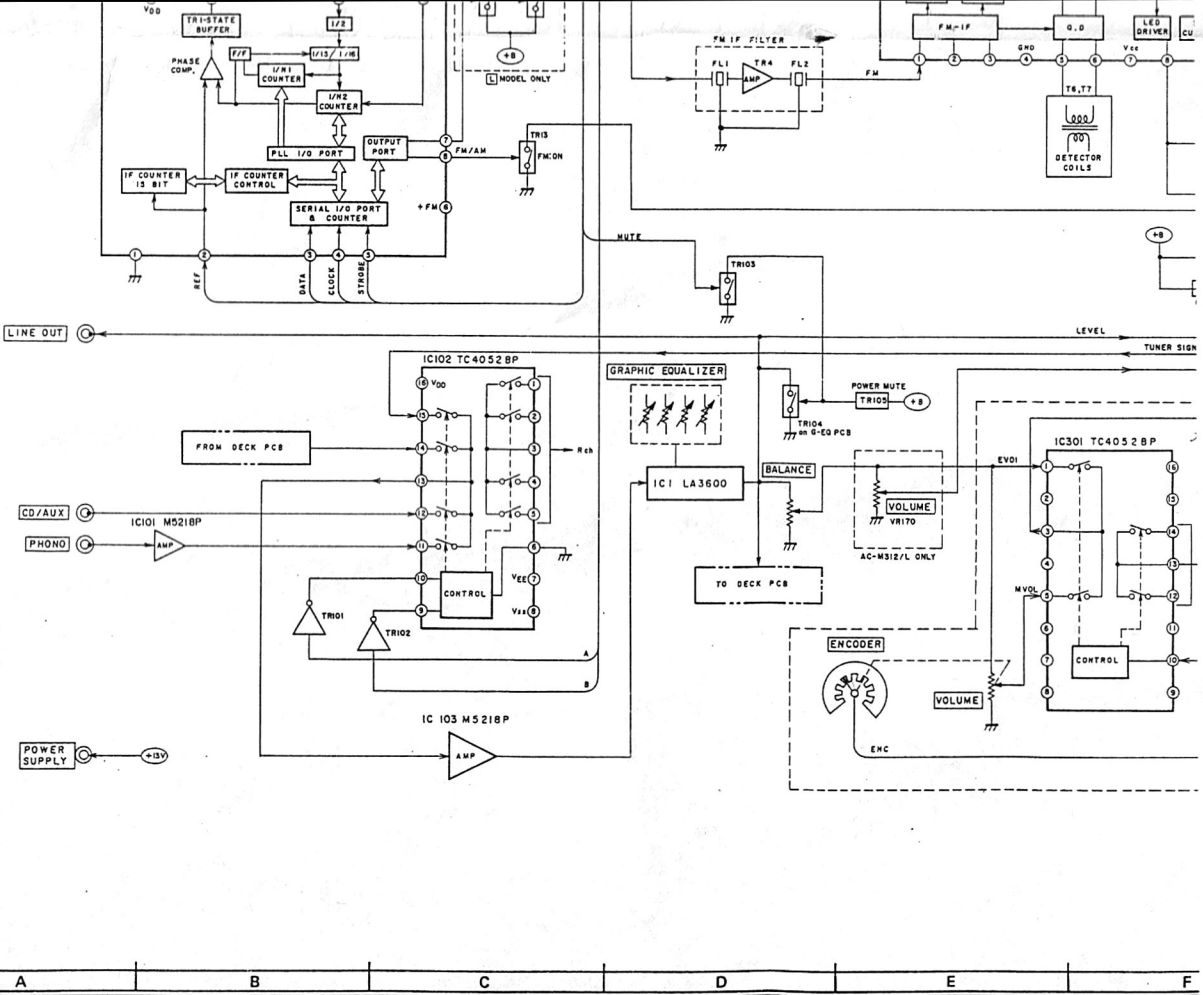
TUNE/SCAN  
PHONO  
TAPE  
CD/VCR



FM Faulty  
CHANGE THIS IC



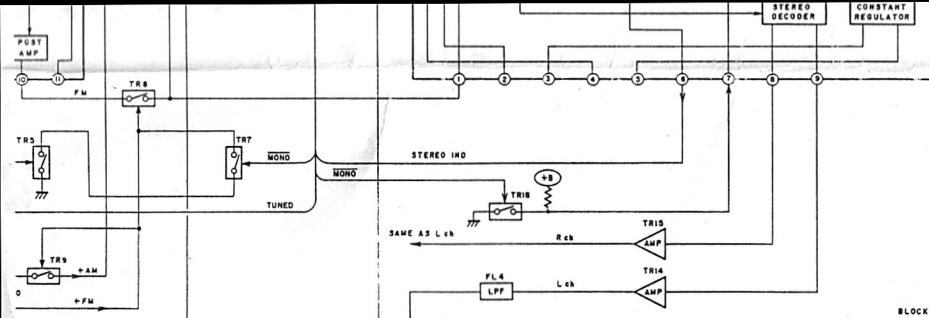
5  
6  
7  
8



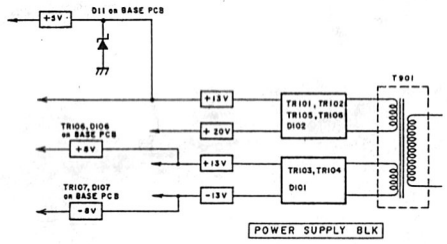
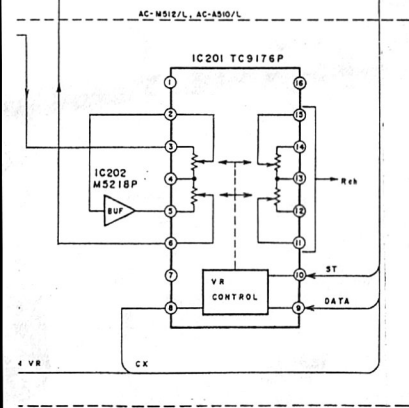
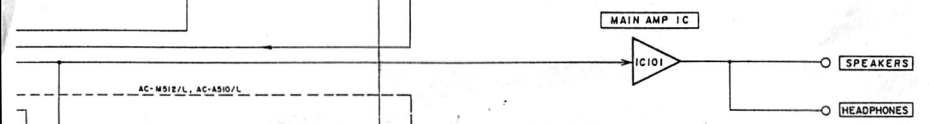
1.2.2

5.1.1





BLOCK DIAGRAM INDICATES LEFT CHANNEL ONLY



AC-M312/L, AC-M512/L  
 AC-A510/L  
 AMP SECTION  
 BLOCK DIAGRAM  
 No. 2-2 860808B



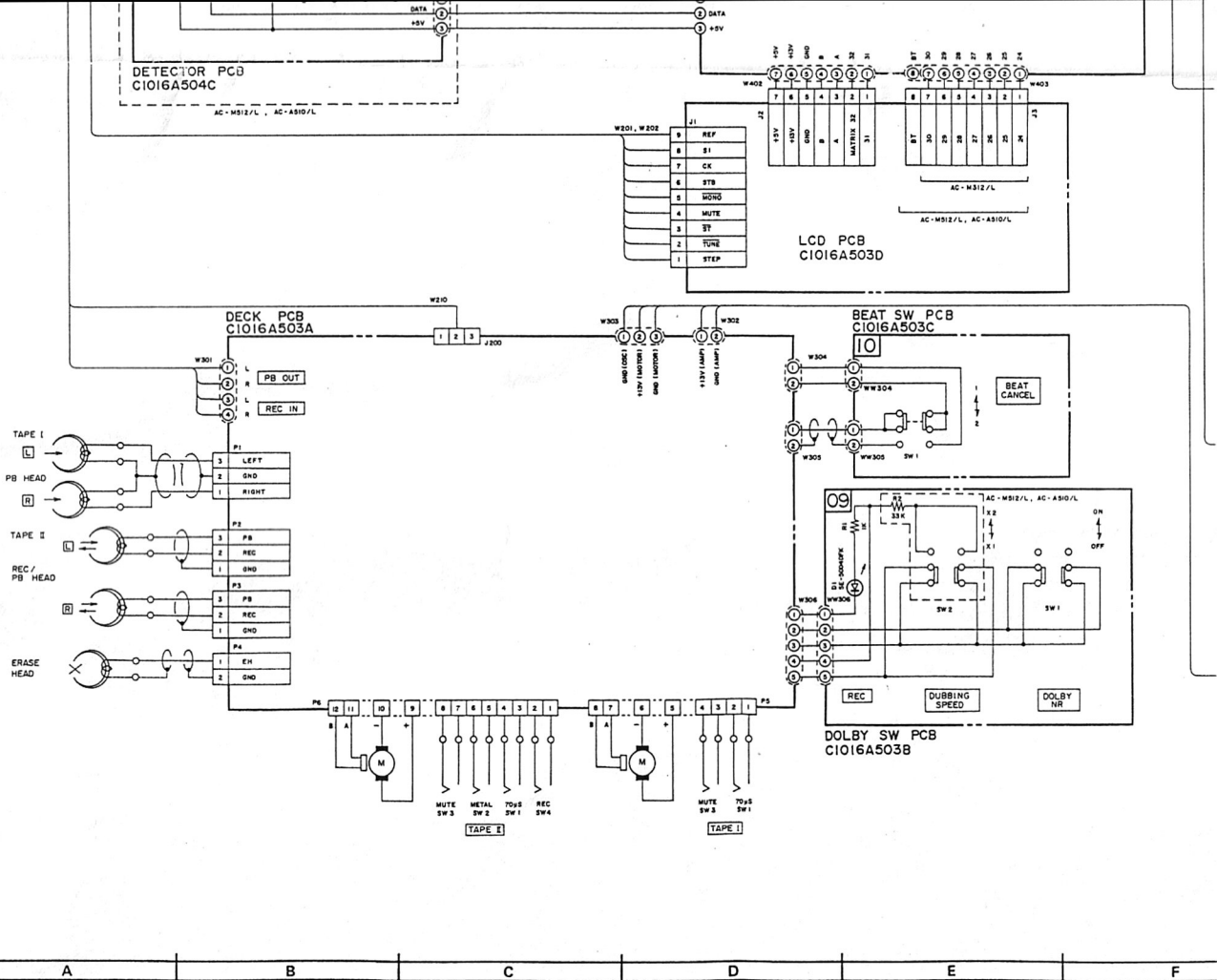


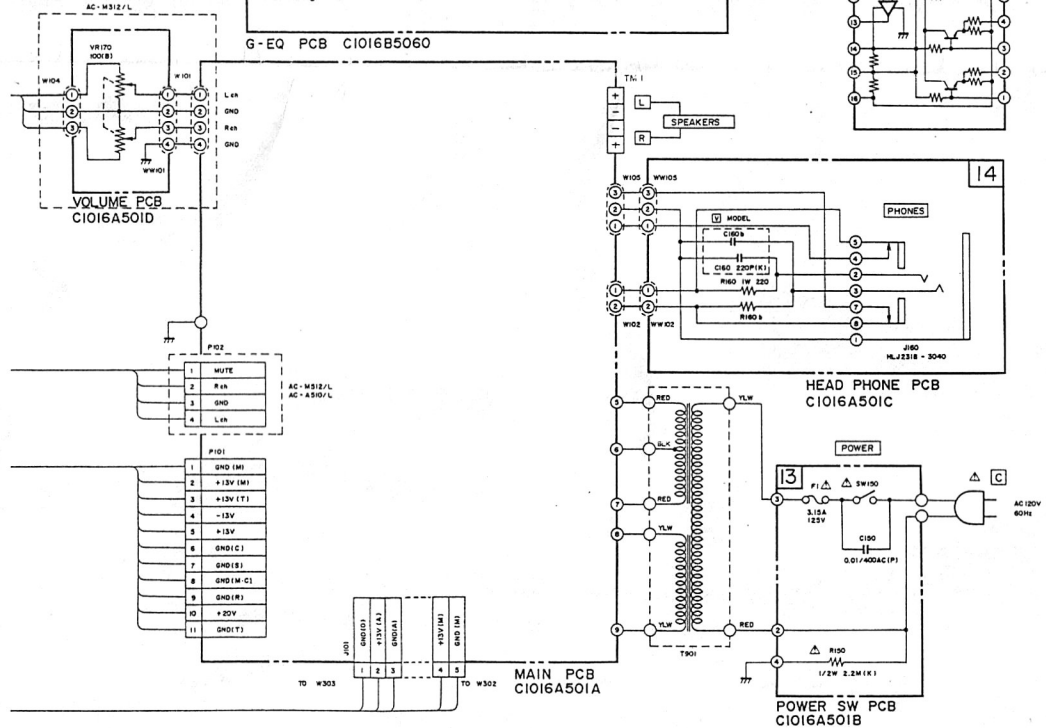
5

6

7

8

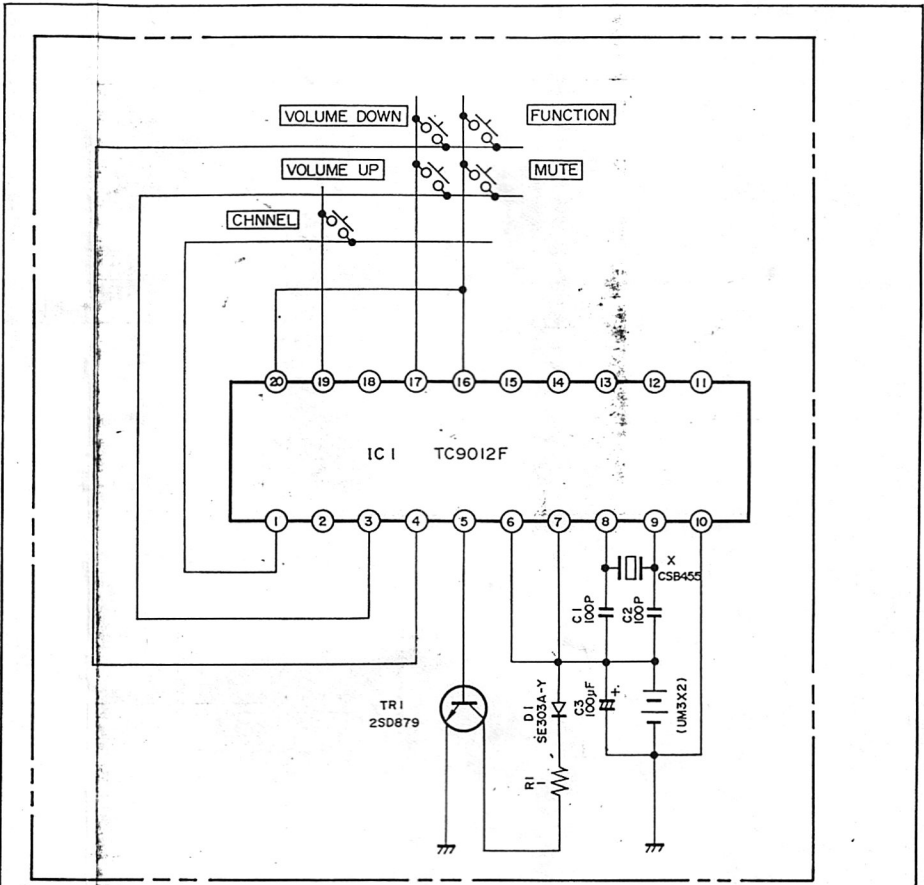




----- B (POWER SUPPLY) LINE  
 - - - - - SIGNAL LINE

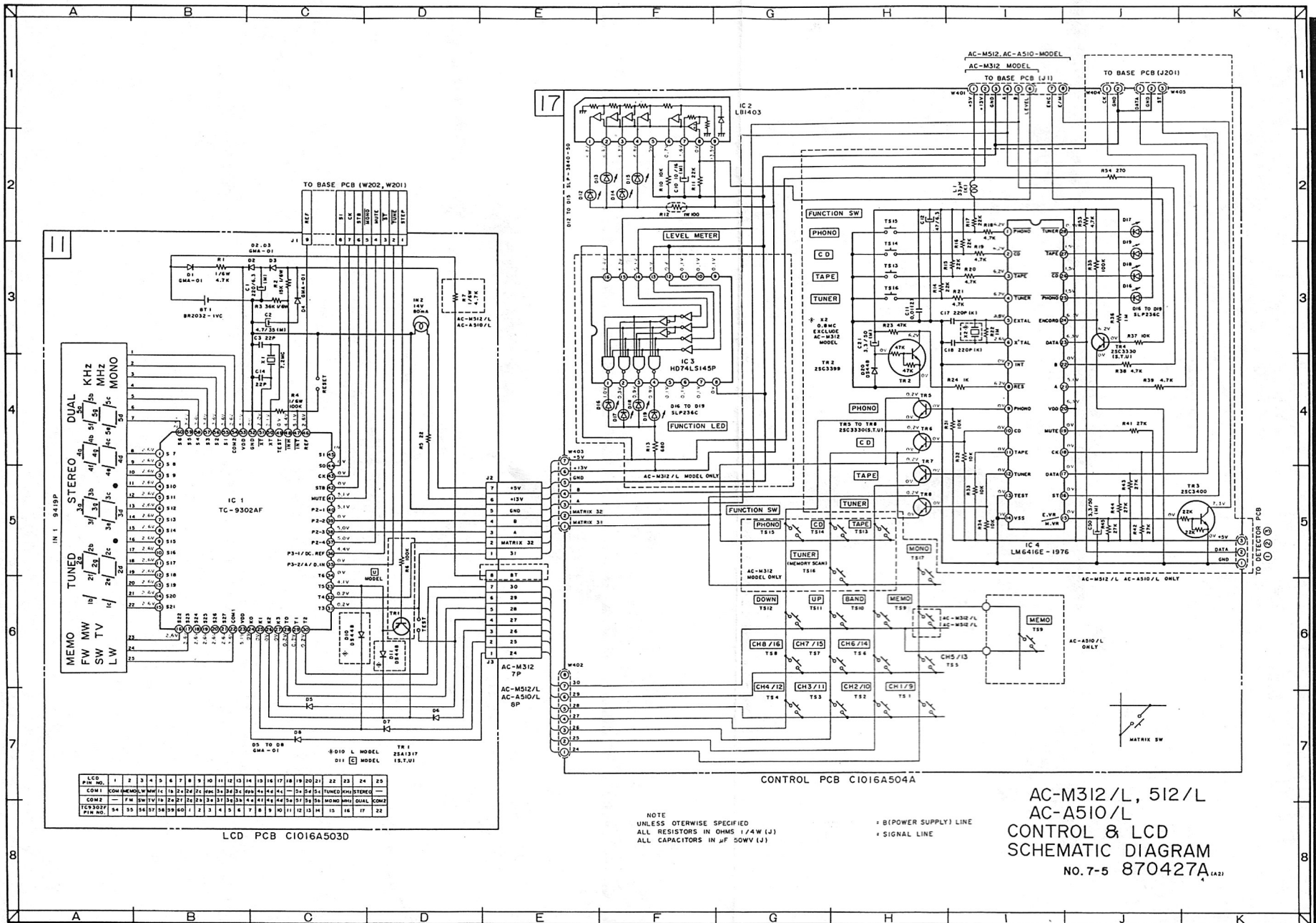
WARNING Δ INDICATES SAFETY CRITICAL COMPONENTS FOR CONTINUED SAFETY  
 REPLACE SAFETY CRITICAL COMPONENTS ONLY WITH MANUFACTURER'S  
 RECOMMENDED PARTS  
 AVERTISSEMENT Δ IL INDIQUE LES COMPOSANTS CRITIQUES DE SECURITE  
 POUR MAINTENIR LE DEGRE DE SECURITE DE L'APPAREIL  
 NE REMPLACER QUE DES PIECES RECOMMANDEES PAR LE FABRICANT

AC-M312/L , AC-M512/L ,  
 AC-A510/L  
 CONNECTION DIAGRAM  
 No. 7-1 870423A



MODEL AC-M512/L, AC-A510/L ONLY

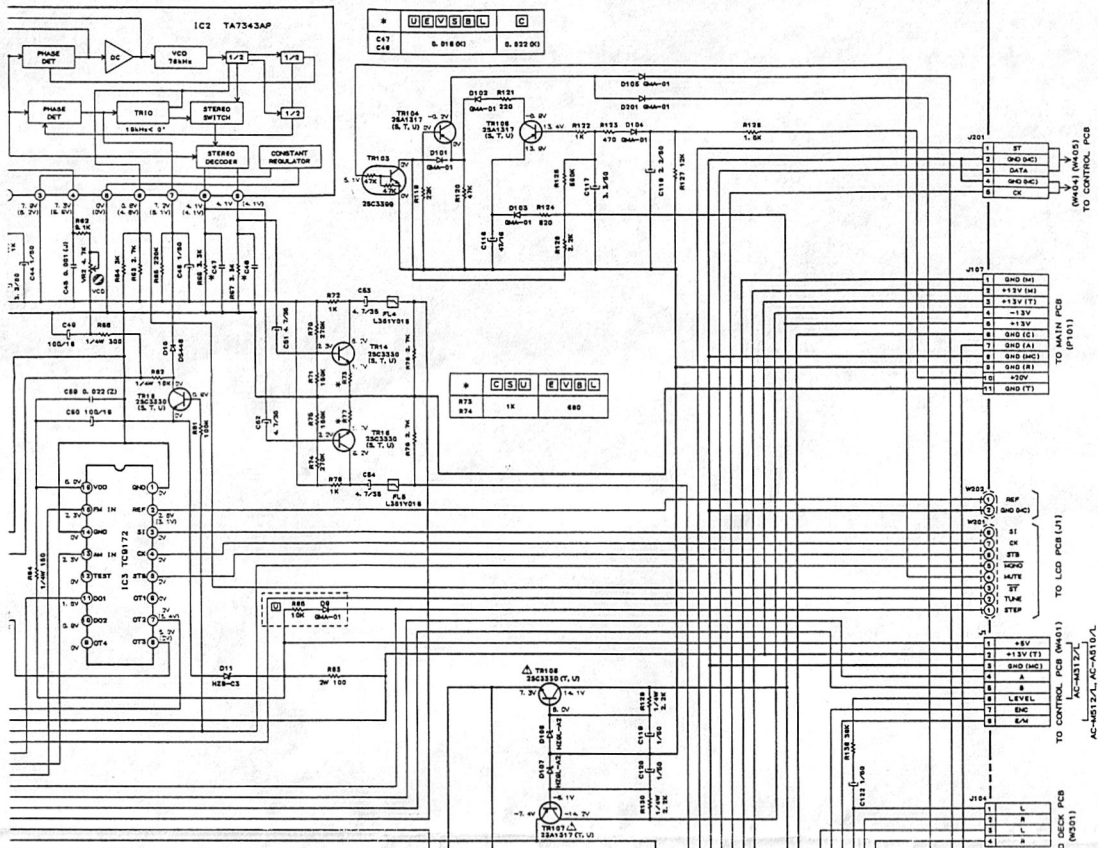
RC-S500  
 REMOTE CONTROL UNIT  
 SCHEMATIC DIAGRAM  
 No. 7-7 870429A









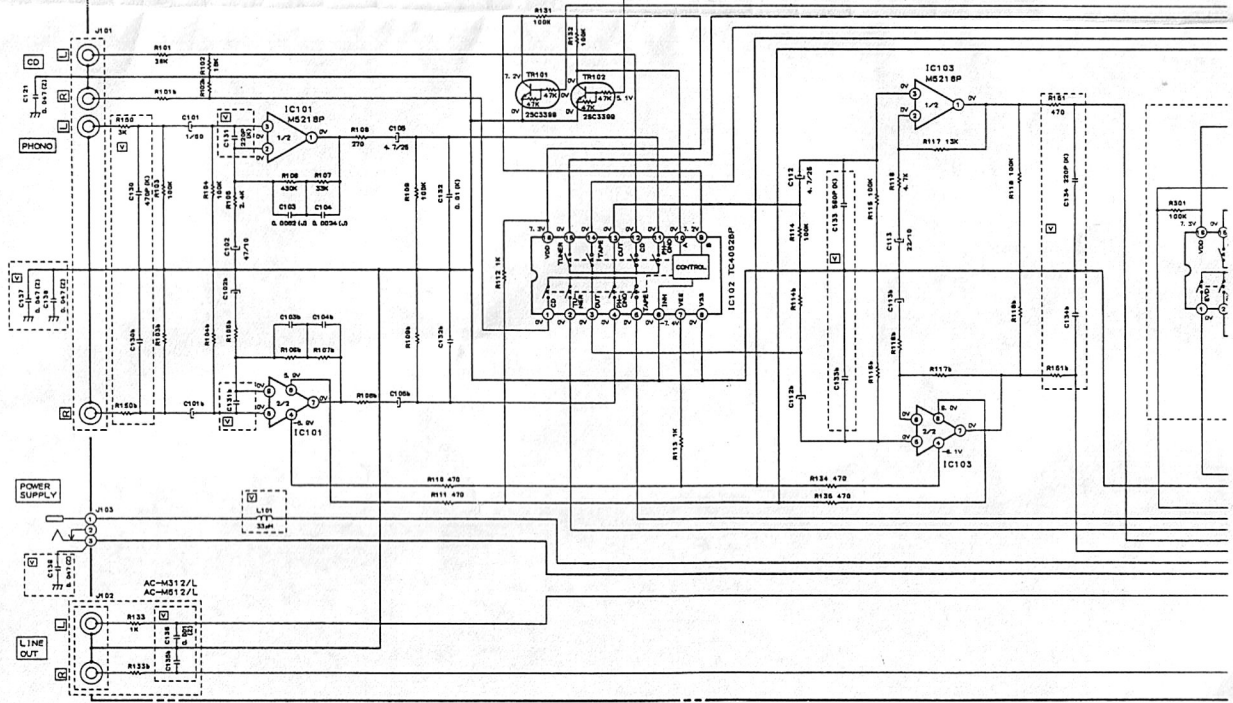


1

2

3

4

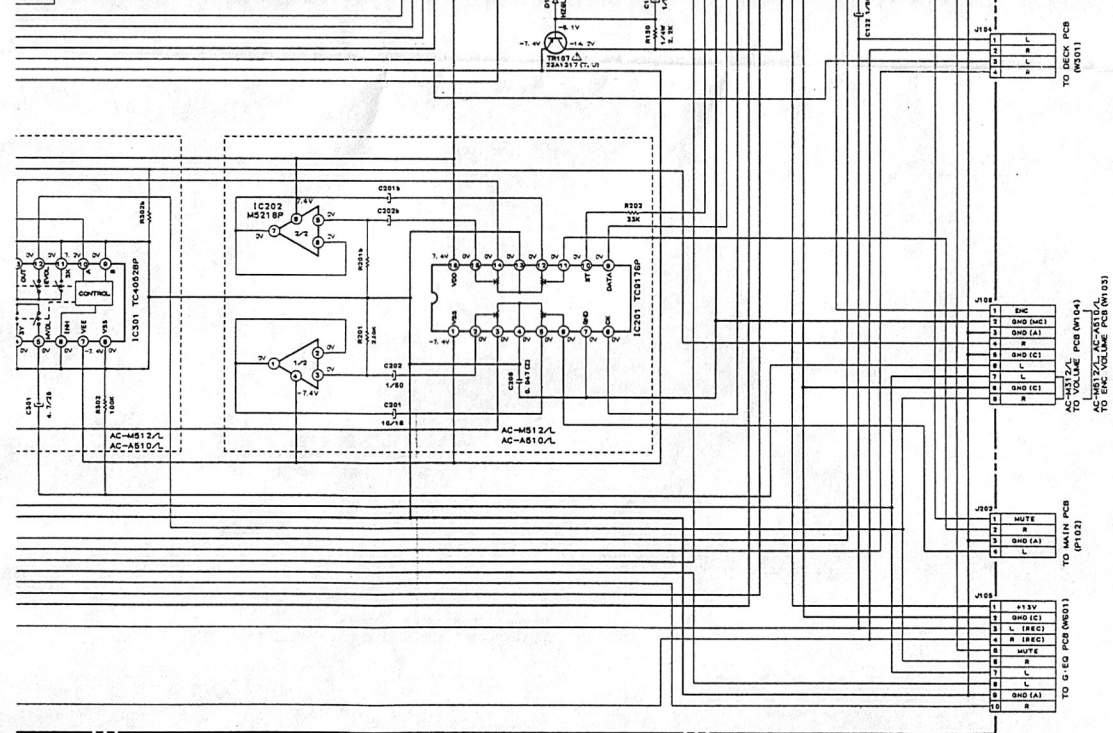


BASE PCB/C1016A5020; EXCEPT  $\square$  MODEL  
 C1016A5025;  $\square$  MODEL

VOLTAGE AT FM STEREO TUNE MODE  
 ( ) AT AM TUNE MODE

WARNING  $\triangle$  INDICATES SAFETY CRITICAL COMPONENTS FOR CONTINUED SAFETY.  
 REPLACE SAFETY CRITICAL COMPONENTS ONLY WITH MANUFACTURER'S  
 RECOMMENDED PARTS.  
 AVERTISSEMENT  $\triangle$  IL INDIQUE LES COMPOSANTS CRITIQUES DE SECURITE  
 POUR MAINTENIR LE DEGRE DE SECURITE DE L'APPAREIL.  
 NE REMPLACEZ QUE DES PIECES RECOMMANDEES PAR LE FABRICANT.

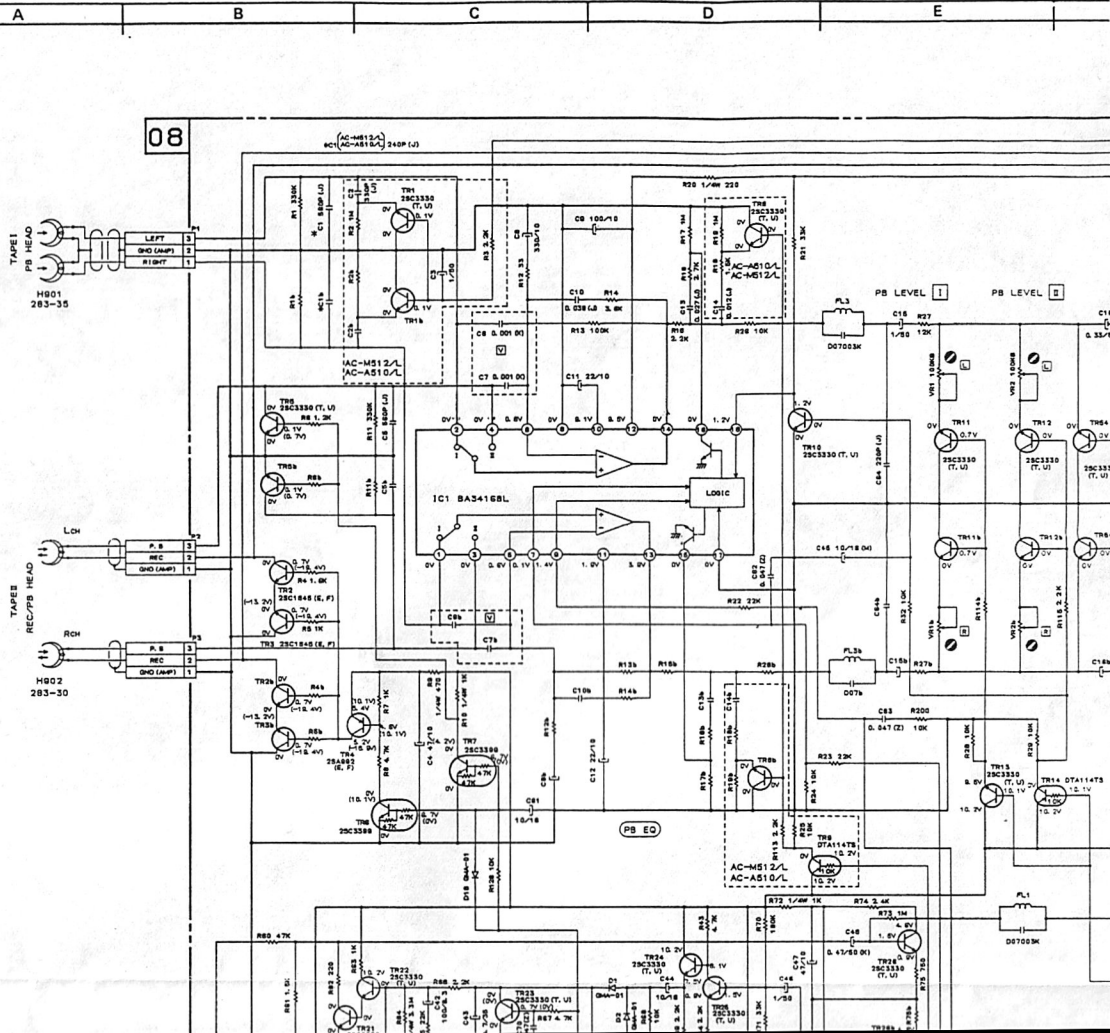
A B C D E F



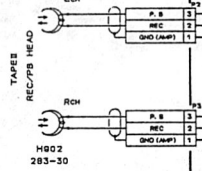
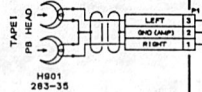
FM SIGNAL LINE  
 AM SIGNAL LINE  
 B (POWER SUPPLY) LINE

NOTE  
 UNLESS OTHERWISE SPECIFIED  
 ALL RESISTORS IN OHMS 1/BW (J)  
 ALL CAPACITORS IN µF 50WV (M)

AC-M312/L, AC-M512/L,  
 AC-A510/L  
 BASE  
 SCHEMATIC DIAGRAM  
 NO. 7-3 870425A



08



AC-MS12/L  
AC-AS10/L 240P (J)

AC-MS12/L  
AC-AS10/L

AC-MS12/L  
AC-AS10/L

AC-MS12/L  
AC-AS10/L

PB ED

PB LEVEL 1

PB LEVEL 2

PB ED

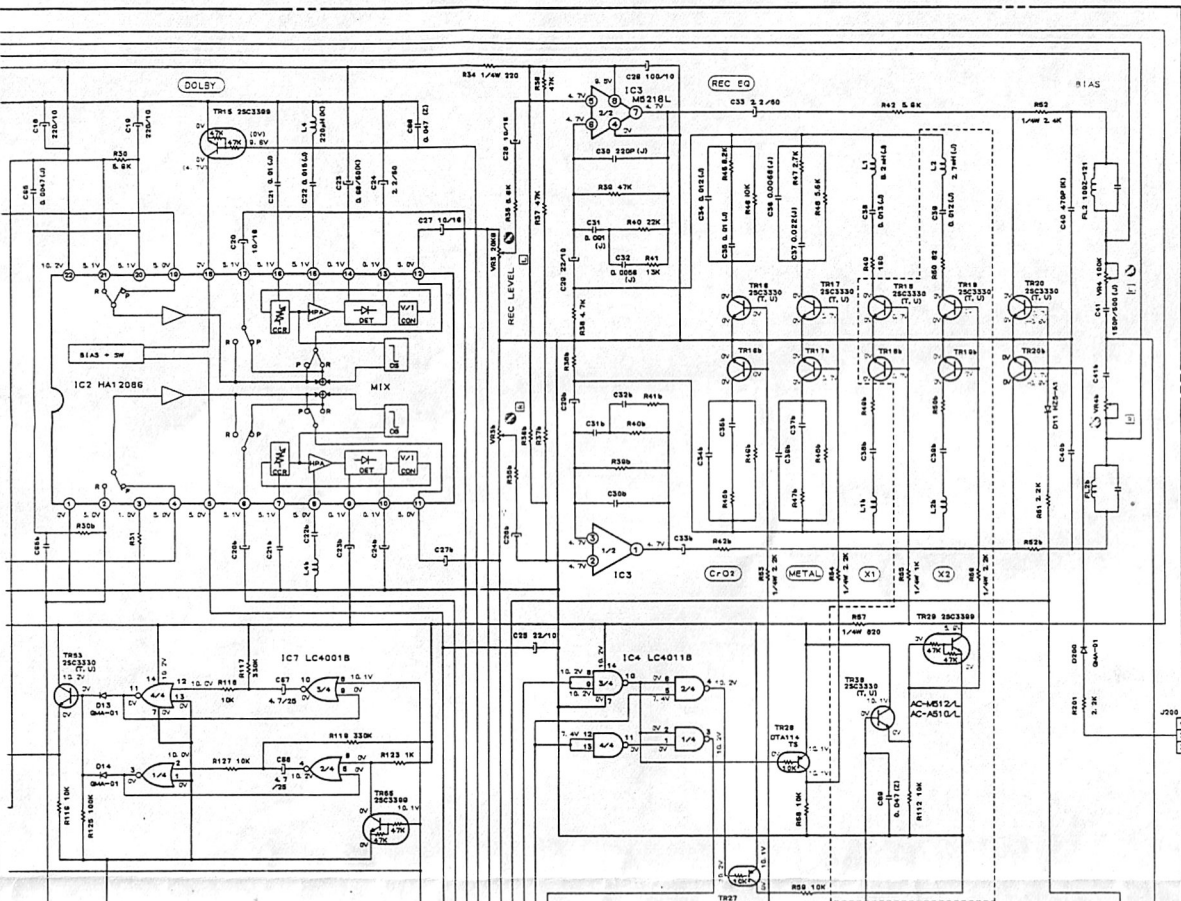
AC-MS12/L  
AC-AS10/L

AC-MS12/L  
AC-AS10/L

PB ED

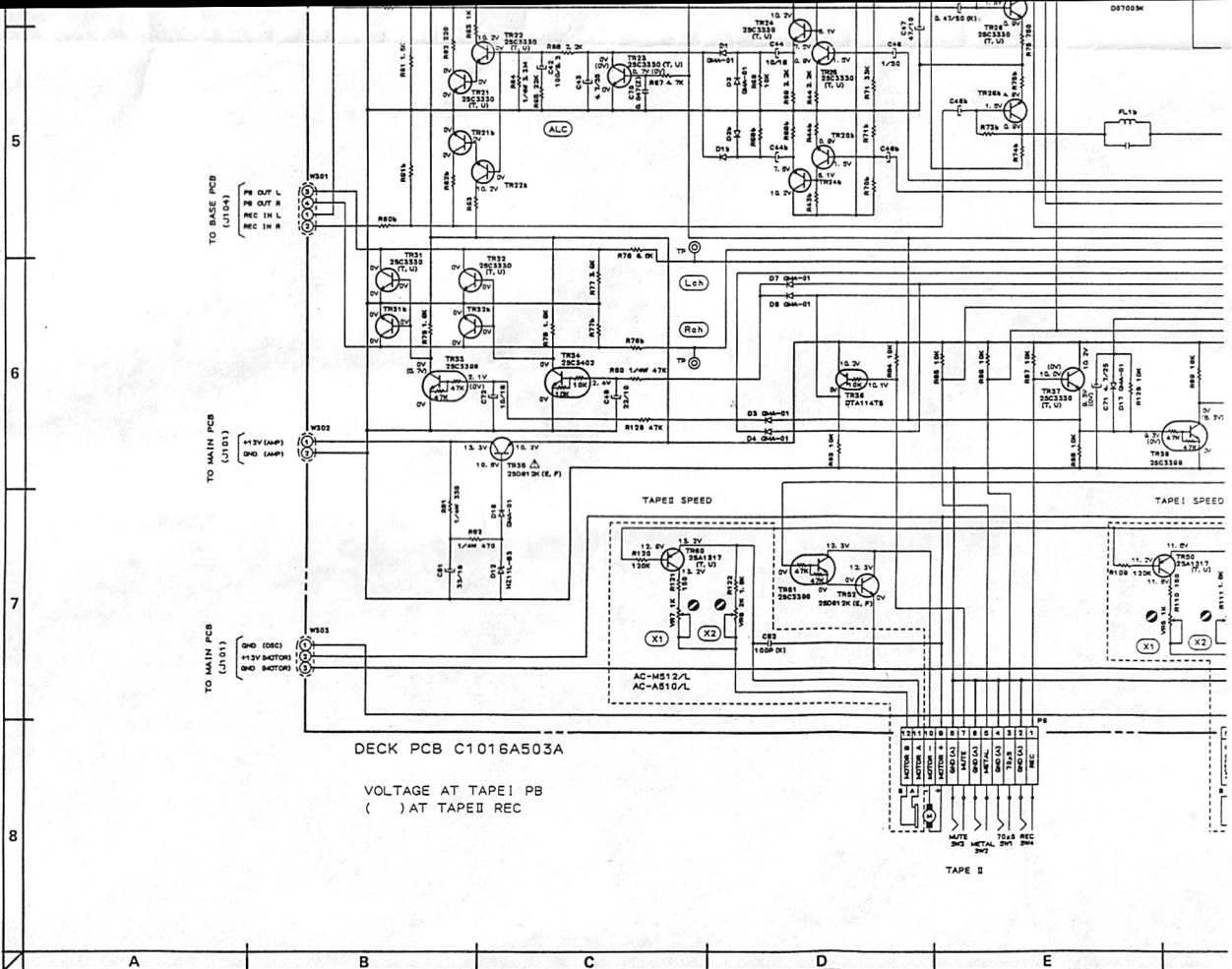
PB ED

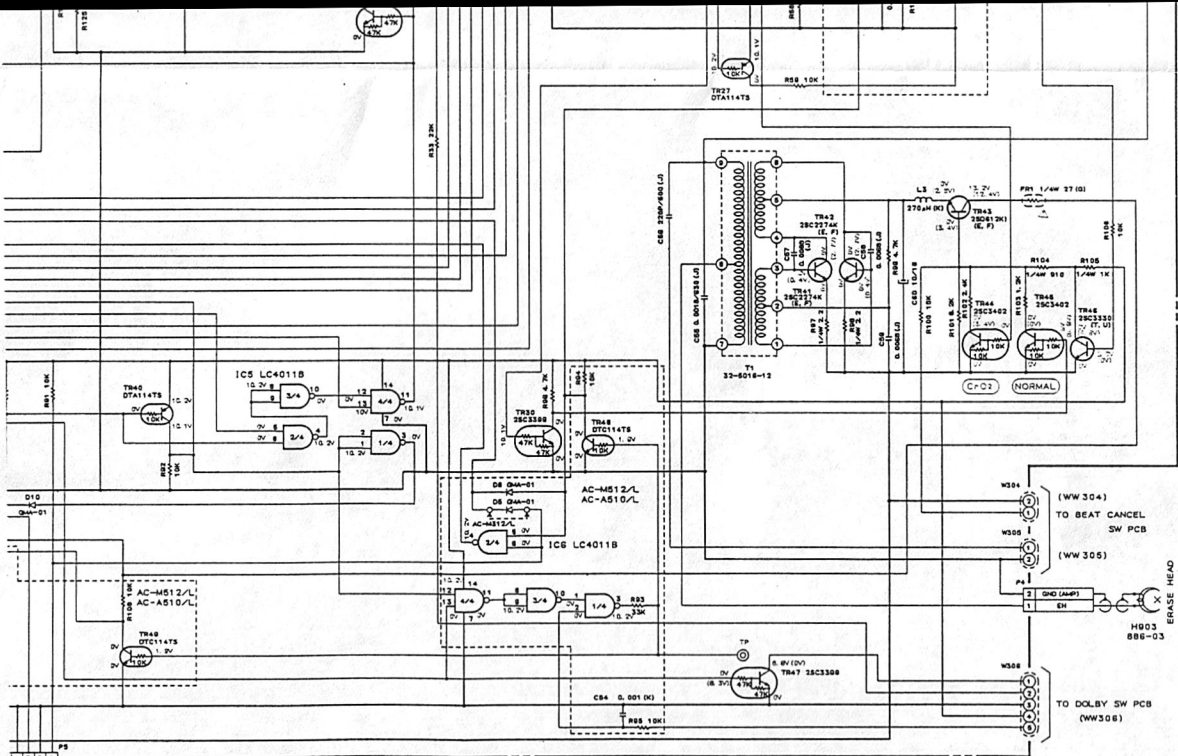
PB ED



TO BASE PCB (W212)







4 3 2 1  
 SPEAKER  
 MUTE  
 TONE  
 300  
 200  
 100

WARNING: INDICATES SAFETY CRITICAL COMPONENTS FOR CONTINUED SAFETY.  
 REPLACE SAFETY CRITICAL COMPONENTS ONLY WITH MANUFACTURER'S  
 RECOMMENDED PARTS.  
 AVERTISSEMENT: A.L. INDIQUE LES COMPOSANTS CRITIQUES DE SECURITE  
 POUR MAINTENIR LE DEGRE DE SECURITE DE L'APPAREIL.  
 NE REMPLACER QUE LES PIECES RECOMMANDEES PAR LE FABRICANT.

DE 1

--- PB SIGNAL LINE  
 --- REC SIGNAL LINE  
 --- B (POWER SUPPLY) LINE

NOTE  
 UNLESS OTHERWISE SPECIFIED  
 ALL RESISTORS IN OHMS 1/8W (J)  
 ALL CAPACITORS IN  $\mu$ F 50W (M)

AC-M312/L, AC-M512/L  
 AC-A510/L  
 DECK  
 SCHEMATIC DIAGRAM  
 NO. 7-4 870426A

5

6

7

8

F G H I J K



1

2

3

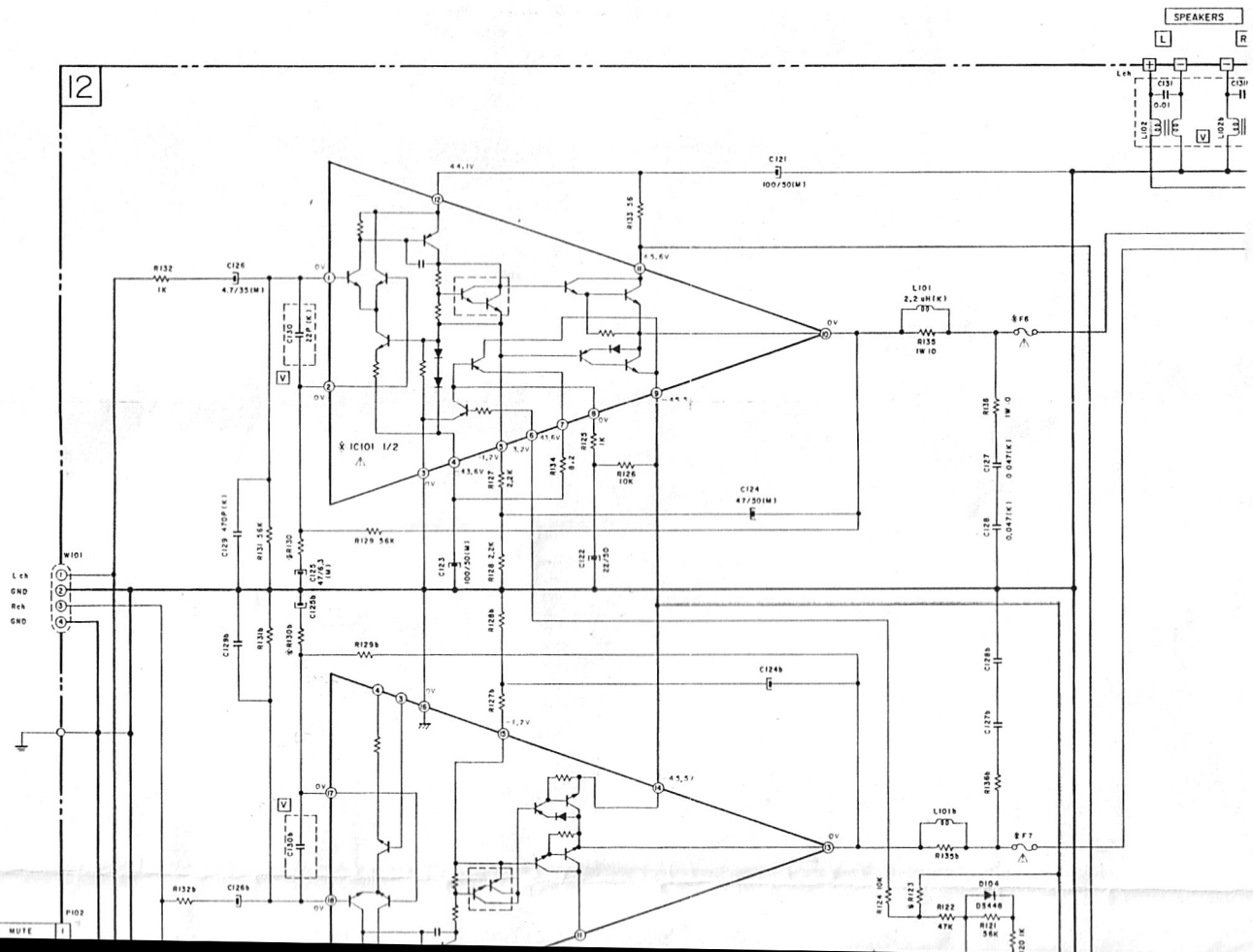
4

TO VOLUME PCB (W101)  
(AC=450K)

L 1A  
SND  
Rca  
SND

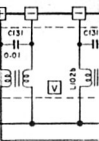
MUTE

12

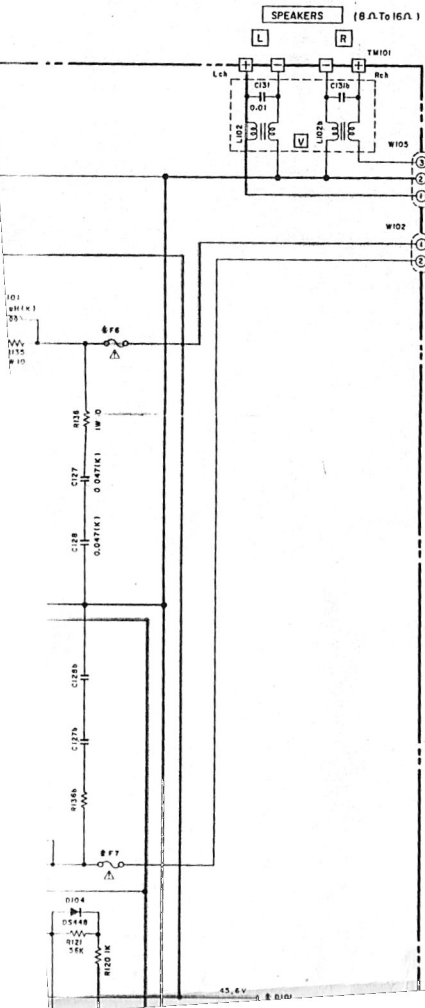


SPEAKERS

L R



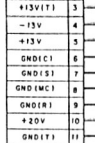
00221  
44-45054-1



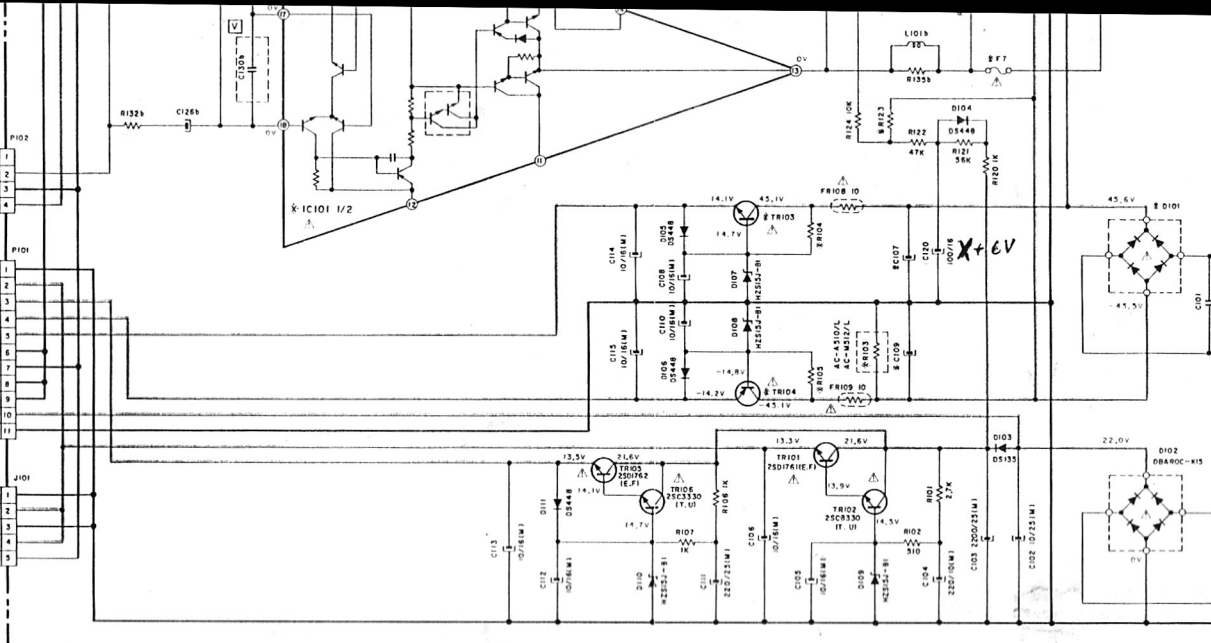
TO BASE PCB(U02)  
(AC-M312/L, AC-A510/L)



TO BASE PCB (U07)



TO DECK PCB  
(M312, M307)



MAIN PCB C1016A501A

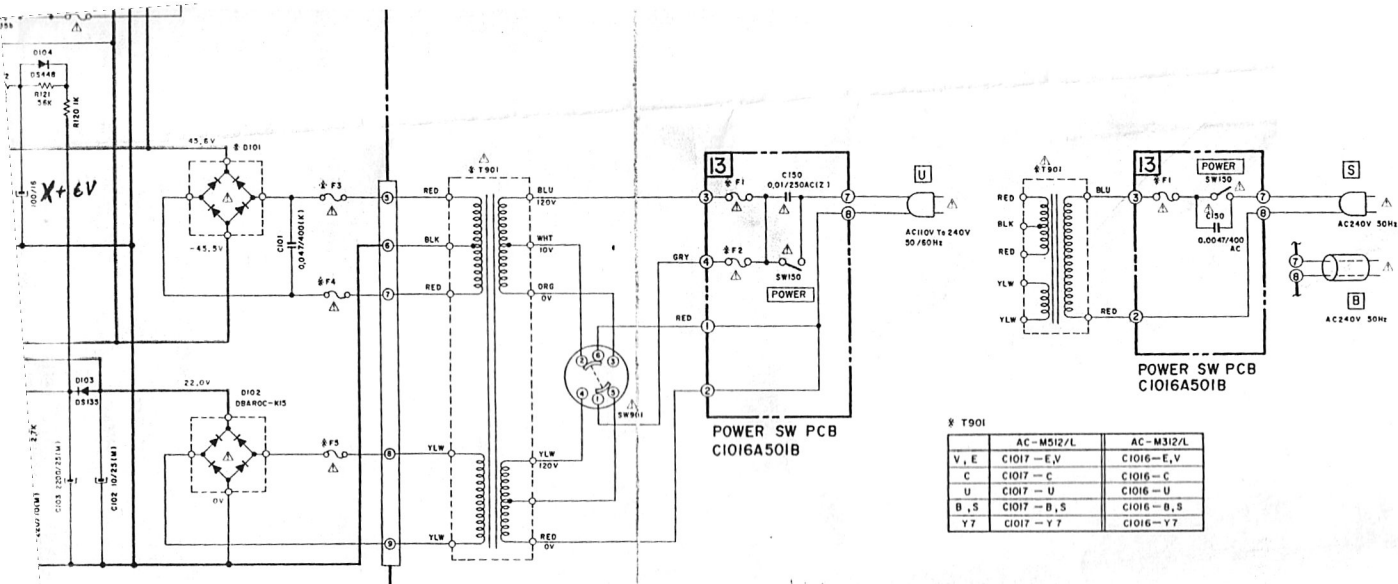
*	C107 109	D101	IC101	RI04 105	RI23	RI30	TR103	TR104	RI03
AC-M512/L, AC-A510/L	4700/50	DBA60C-K15	STK4172-II	12K	270K	680	2SD1761 (E, F)	25B1187 (E, F)	2W 2.2K
AC-M312/L	4700/45	DBA40C-K15	STK4152-II	10K	220K	750	2SD1762 (E, F)	25B1185 (E, F)	

\* POWER

\* SIGNAL L

*	AC-M312/L							AC-M512/L, AC-A510/L						
	F1	F2	F3	F4	F5	F6	F7	F1	F2	F3	F4	F5	F6	F7
U	1.6A/250V	1.6A/250V	—	—	—	4A/250V	4A/250V	2A/250V	2A/250V	—	—	—	—	—
C	3.15A/125V	—	5A/125V	5A/125V	1.6A/125A	4A/125V	4A/125V	3.15A/125V	—	6.3A/125V	6.3A/125V	1.6A/125V	4A/125V	4A/125V
E · V · S	T1A/250V	—	T3.15A/250V	T3.15A/250V	T1.25A/250V	T2.5A/250V	T2.5A/250V	T1.25A/250V	—	T4A/250V	T4A/250V	T1.25A/250V	T3.15A/250V	T3.15A/250V
B	T1A/250V	—	T3.15A/250V	T3.15A/250V	T1.25A/250V	T2.5A/250V	T2.5A/250V	T1.25A/250V	—	T4A/250V	T4A/250V	T1.25A/250V	T3.15A/250V	T3.15A/250V
Y7	1.6A/250V	1.6A/250V	—	—	—	4A/250V	4A/250V	2A/250V	2A/250V	—	—	—	4A/250V	4A/250V

A B C D E F



100V X+6V

27K  
C103 1200/251W  
C102 10/251M1

— B (POWER SUPPLY) LINE  
- - - - - SIGNAL LINE

C-A510/L

F5	F6	F7
	4A/250V	4A/250V
T1.6A/125V	4A/125V	4A/125V
T1.25A/250V	T3.15A/250V	T3.15A/250V
T1.25A/250V	T3.15A/250V	T3.15A/250V
	4A/250V	4A/250V

NOTE  
UNLESS OTHERWISE SPECIFIED  
ALL RESISTORS IN OHMS 1/4W(1J)  
ALL CAPACITORS IN  $\mu$ F 50WV(1J)  
POWER TRANSFORMER DIFFERENT  
ACCORDING TO AREA

WARNING: INDICATES SAFETY CRITICAL COMPONENTS. FOR CONTINUED SAFETY,  
REPLACE SAFETY CRITICAL COMPONENTS ONLY WITH MANUFACTURER'S  
RECOMMENDED PARTS.  
AVERTISSEMENT: AL INDIQUE LES COMPOSANTS CRITIQUES DE SECURITE  
POUR MAINTENIR LE DEGRE DE SECURITE DE L'APPAREIL.  
NE REMPLACER QUE DES PIECES RECOMMANDEES PAR LE FABRICANT

X T901

	AC-M512/L	AC-M312/L
V, E	C1017 - E, V	C1016 - E, V
C	C1017 - C	C1016 - C
U	C1017 - U	C1016 - U
B, S	C1017 - B, S	C1016 - B, S
Y7	C1017 - Y7	C1016 - Y7

AC-M312/L  
AC-M512/L  
AC-A510/L  
MAIN  
SCHEMATIC DIAGRAM  
NO. 7-2 870424A

F G H I J K

6

7

8