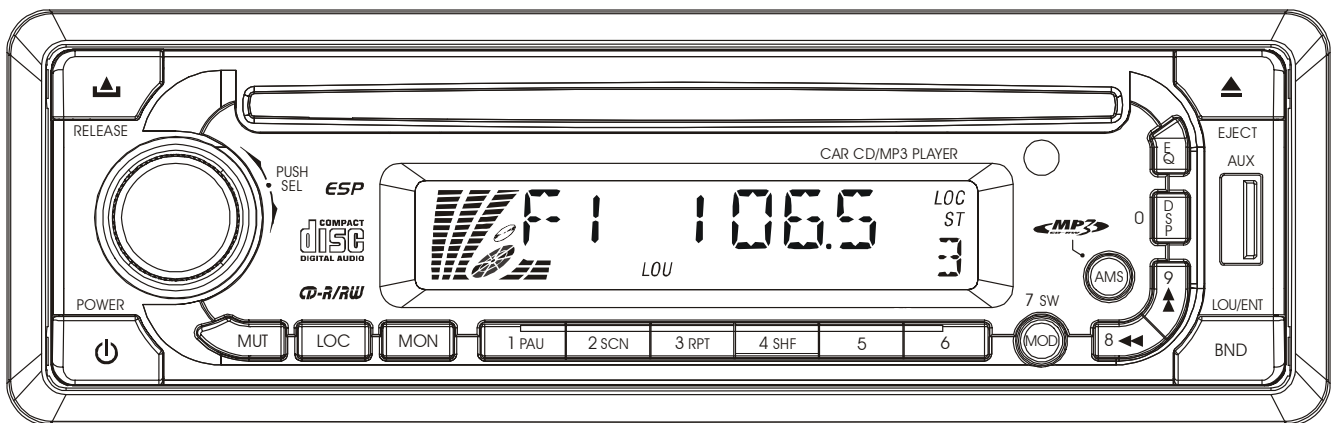


AKAI

Service Manual

PLL SYNTHESIZER STEREO RADIO WITH
COMPACT DISC PLAYER DIGITAL



MODEL: ACR-47MP

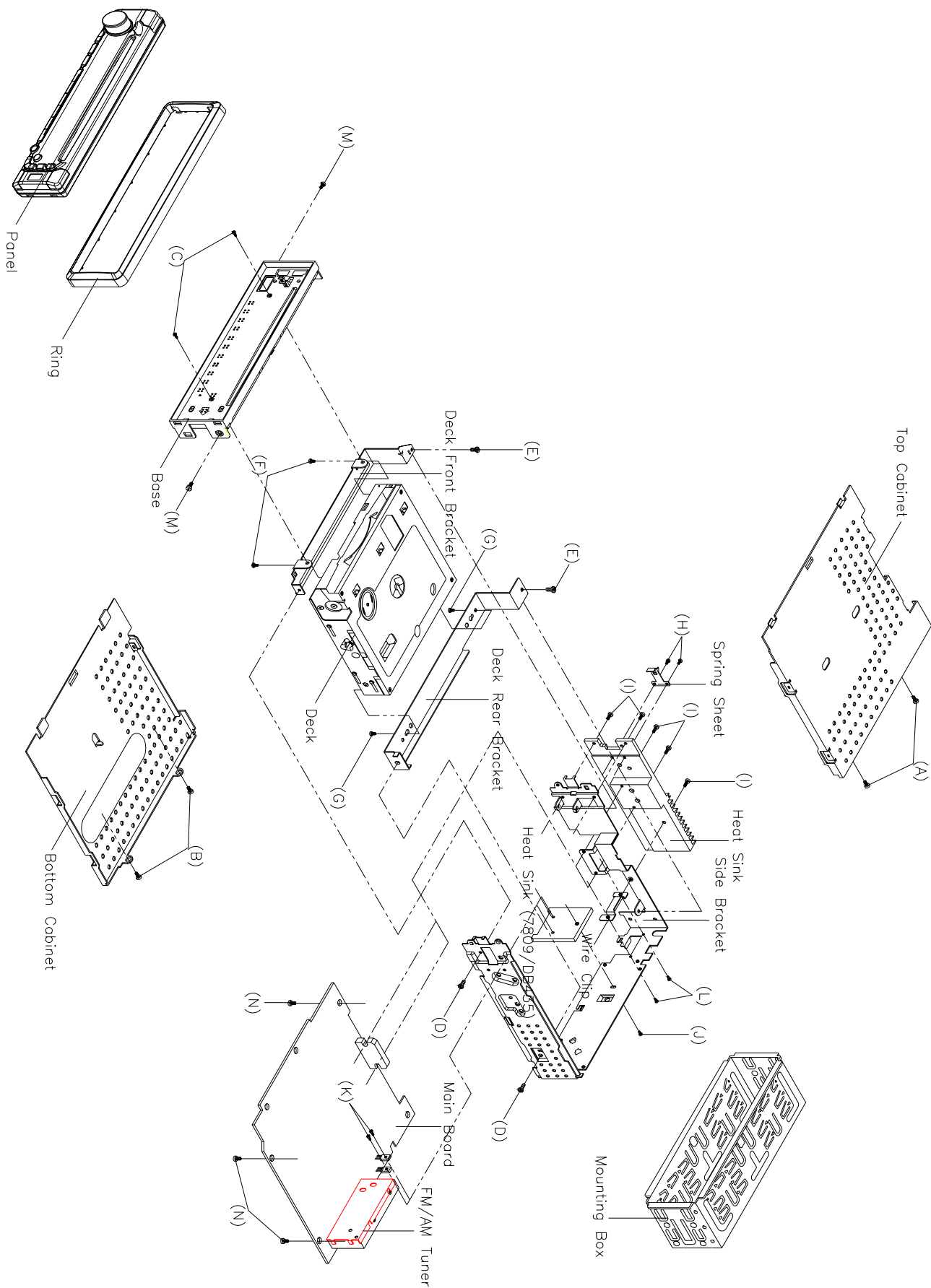
CONTENTS

	Page
Disassembly Instructions	3
Disassembly Diagram	4
Operation Check	5
Block Diagram	6
Alignment Locations	7
Alignment Procedures	8
Printed Circuit Boards	9
Exploded Views (Panel)	15
Exploded View Parts Lists (Panel)	16
Exploded Views (Cabinet)	17
Exploded View Parts Lists (Cabinet)	18
Exploded Views (Deck)	19
Exploded View Parts Lists (Deck)	20
Schematic Diagram	22
Electrical Parts List	25
Specifications	31

DISASSEMBLY INSTRUCTIONS

1. Using the unlock key that came with the unit or a similar tool, unlock the Mounting Box and remove toward the rear of the unit.
2. Remove two screws (A) located on the rear of the top cabinet then remove the Top Cabinet.
3. Remove two screws (B) located on the rear of the bottom cabinet then remove the Bottom Cabinet.
4. Take out the Front Panel and the Ring.
Remove two screws (C) from on the front side of the Base.
5. Remove two screws (D) from on the right side of the side bracket.
Remove two screws (E) from on the left side of the side bracket.
6. Remove two screws (F) from under the deck front bracket then remove the Deck Front Bracket.
Remove two screws (G) from under the deck rear bracket then remove the Deck Rear Bracket and the Deck.
7. Remove two screws (h) from on the left side of the heat sink then remove the Spring Sheet.
8. Remove five screws (I) from on the left side of the heat sink then remove the Heat Sink.
9. Remove the screw (J) from on the back of the side bracket and remove two screws (L) from on the main board then remove the Heat Sink (7809/DB435).
10. Remove two screws (K) from on the back of the side bracket then remove Wire Clip.
11. Remove two screws (L) from each side of the base then remove the Base.
12. Remove three screws (M) from under the main board then remove the Side Bracket and the Main Board.

DISASSEMBLY DIAGRAM



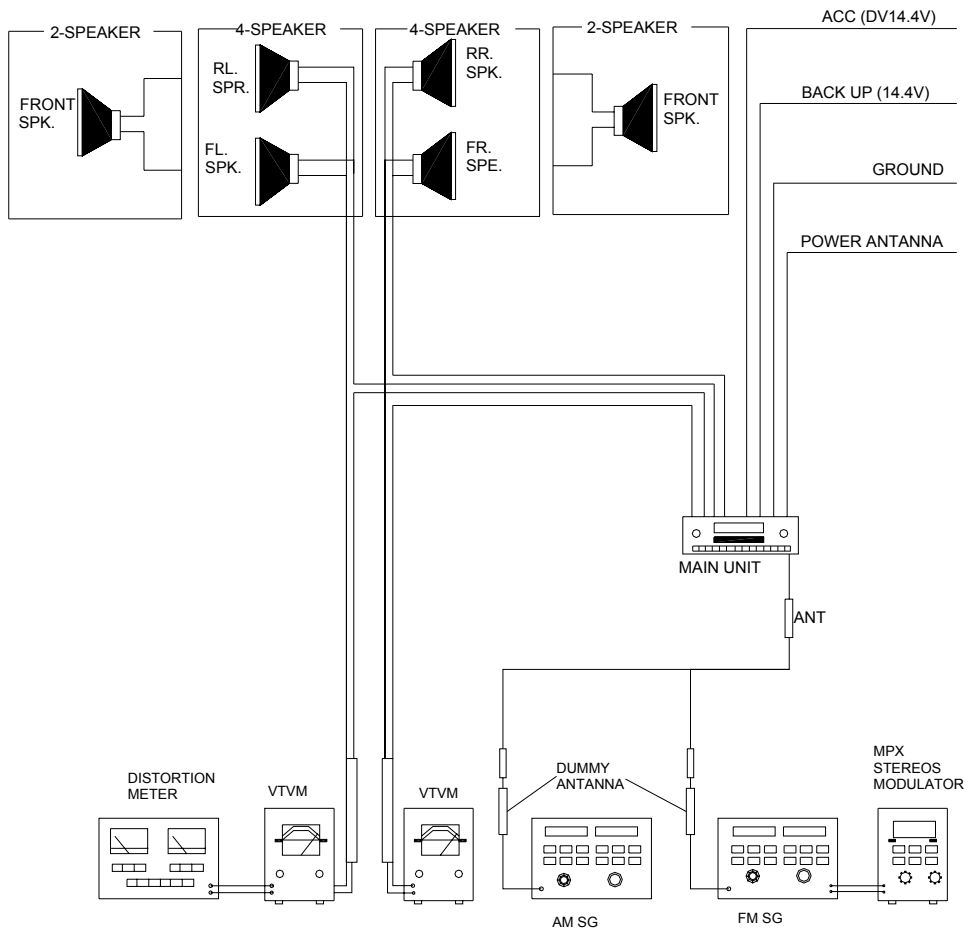
OPERATION CHECK

GENERAL SPECIFICATIONS OF SIGNAL

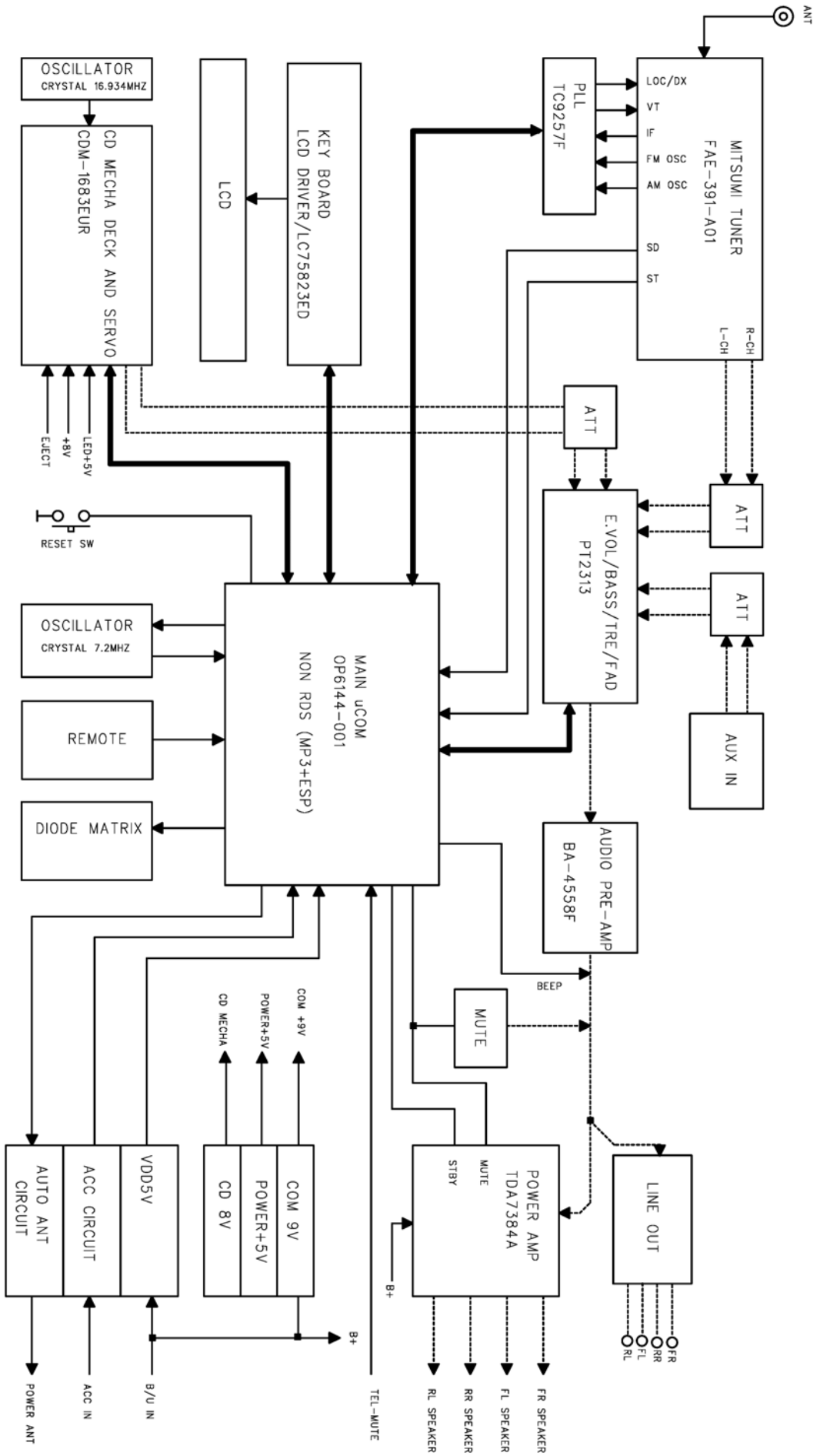
Standard frequency	FM	98.1 MHz (87.5, 108 MHz)
	MW	1000 kHz (522, 1620 kHz)
	LW	200 kHz (144, 288 kHz)
Signal output	FM	1 mV
	MW	5 mV
	LW	5 mV
Modulation	MW	400 Hz 30% MOD.
	FM Stereo	1 kHz 75kHz DEV.
		46% for L only or R only pilot level 8%
AF output level	FM/MW/LW	
Power source voltage	DC 14.0V (Backup voltage is the same as this)	
AF load impedance	4 ohm pure resistance	
Balance	Center position of level	
Tone	Center position	

The signal strength read in this section is voltage on the antenna.

Test Diagram

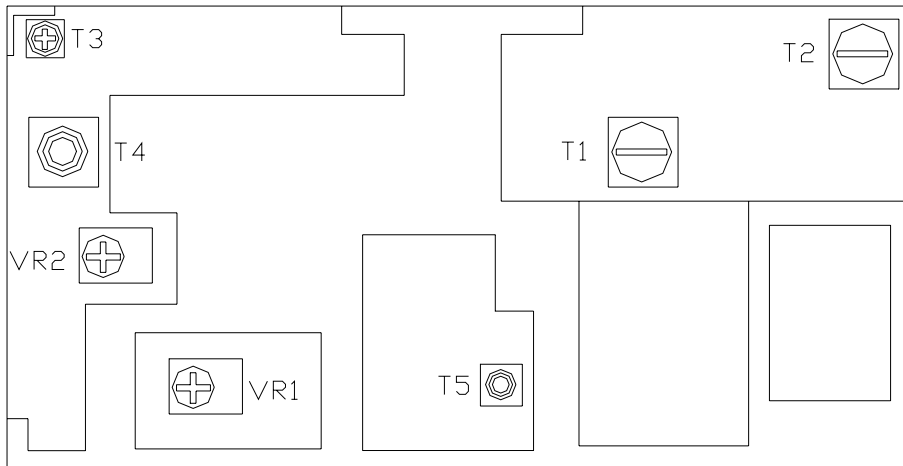


BLOCK DIAGRAM



ALIGNMENT LOCATIONS

FM/AM TUNER



ALIGNMENT PROCEDURES

FM ADJUSTMENT

Equipment Required

- AM IF/RF signal generator
- Solid-state voltmeter (SSVM)
- Regulated DC power supply
- 2-CH voltmeter
- Distortion meter

FM Alignment Using FM Signal Generator

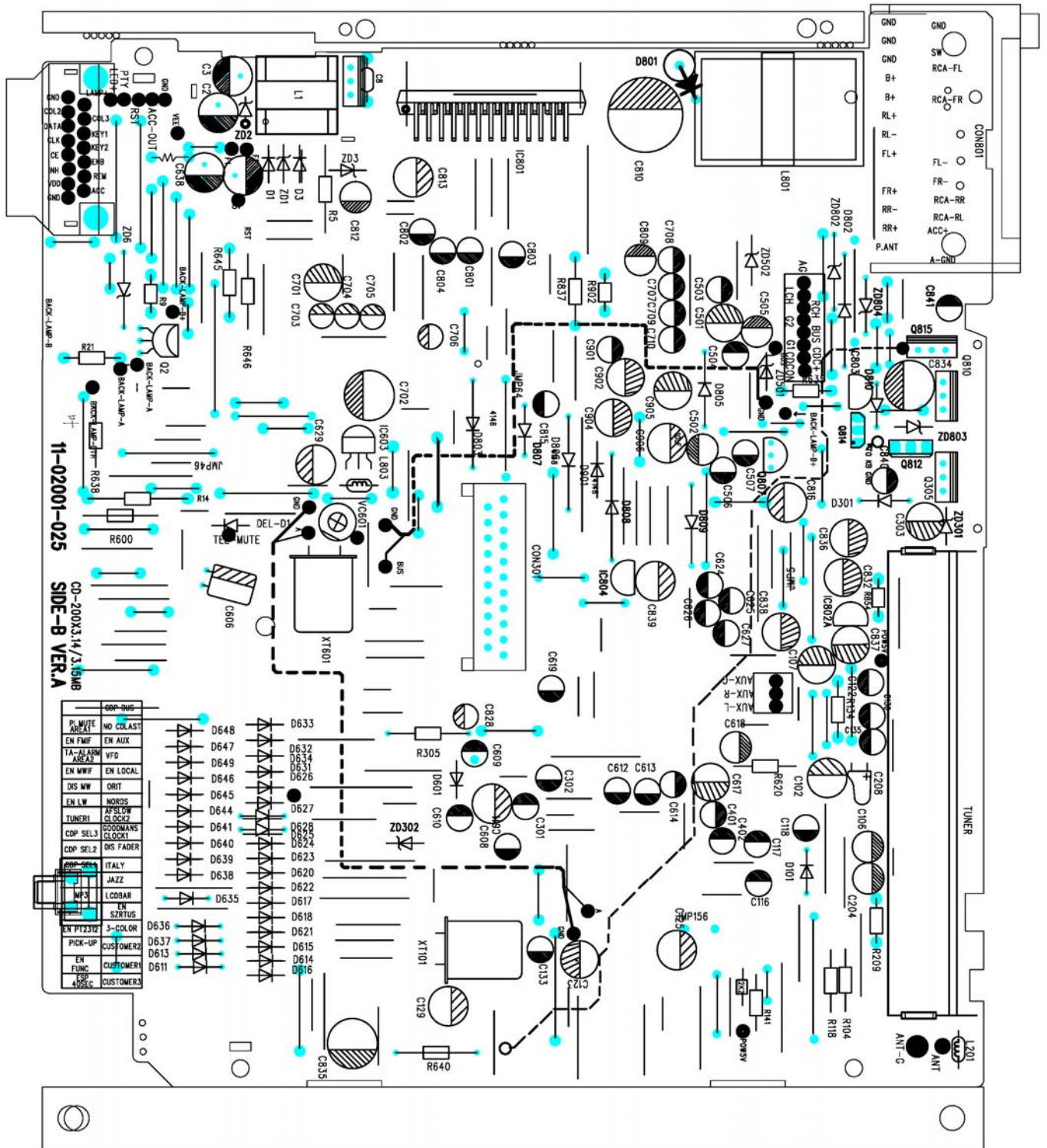
Note: Press the radio power switch to on the radio. Signal generator output must be kept as low as possible to avoid overload and clipping.

Step	Generator Coupling	Generator	Display Setting	Adjustment	Remarks
Stereo Separation	Signal Generator to antenna receptacle	98.1 MHz Int. 1 kHz Dev. 75 kHz L+R = 90 % pilot = 10 %	98.1 MHz	VR1	Adjust AF output power at maximum separating more than 30 dB
FM SNC Adjustment	98.1 MHz Dev. 75 kHz L+R=90 % Int. 1 kHz 60dB μ V output	98.1 MHz @ 40 dB μ	98.1 MHz	VR2	Stereo Separation 25 dB (\pm 5 dB)
Stop SENS.	Signal Generator to antenna receptacle	98.1 MHz Mod. 1kHz Dev 75kHz	98.1 MHz	VR3	Adjust AF to stop station.

Note: The tuner module is well-adjust and adjustment is not recommended.

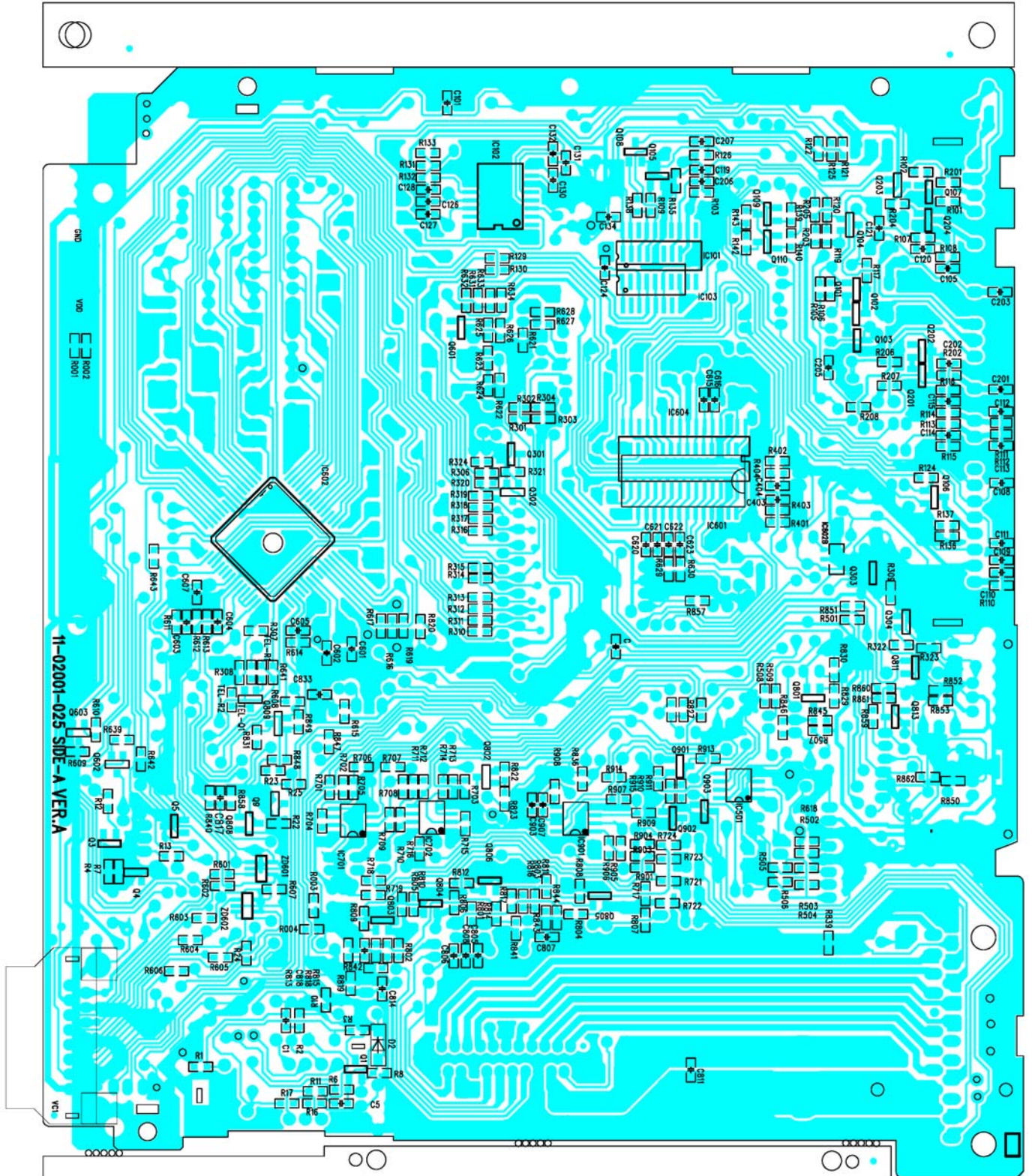
PRINTED CIRCUIT BOARDS

MAIN BOARD



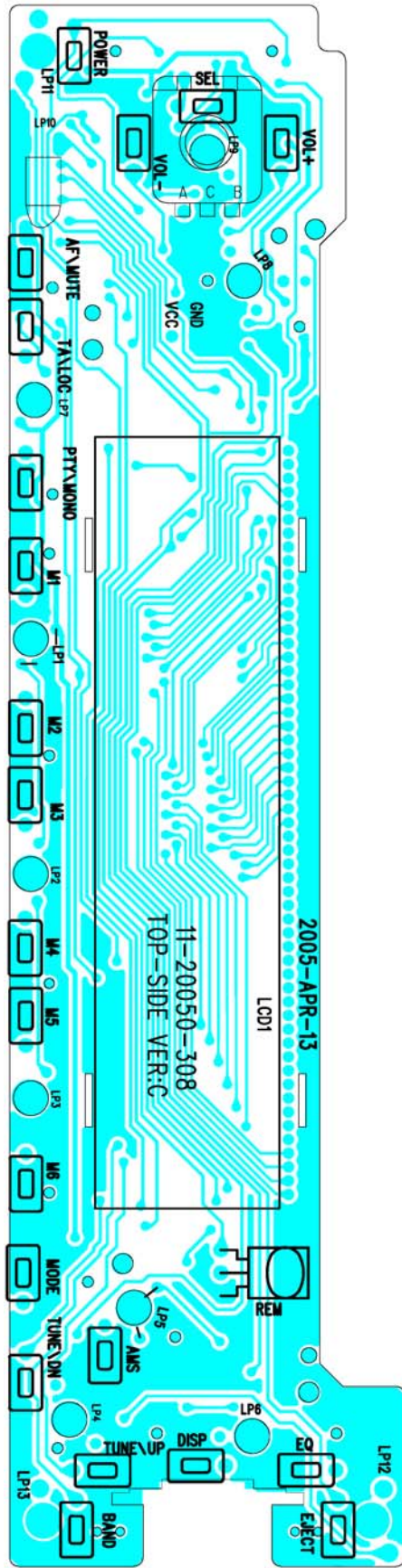
TOP VIEW

MAIN BOARD



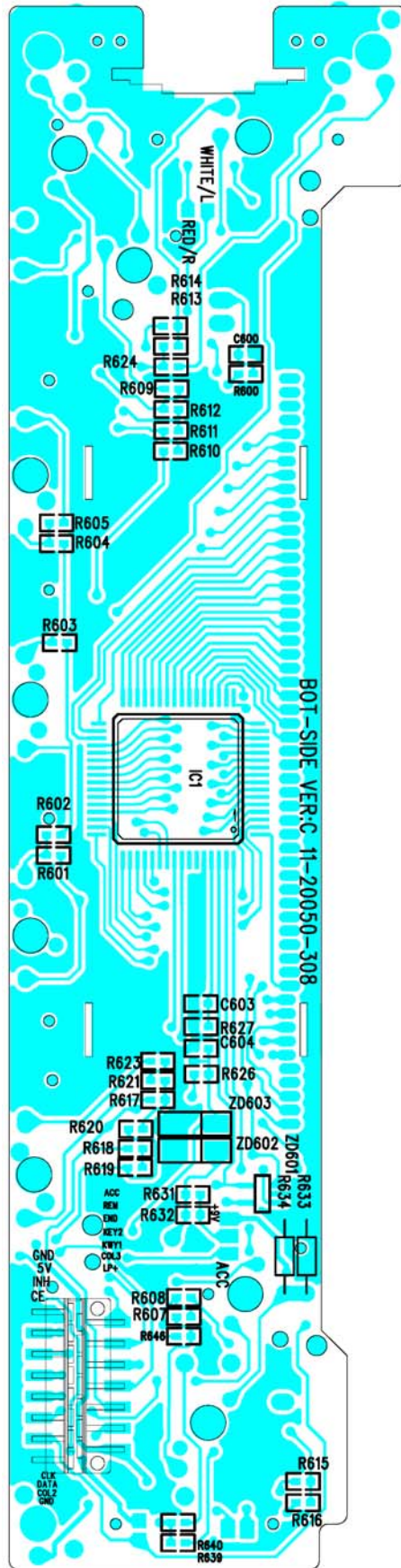
BOTTOM VIEW

KEY BOARD



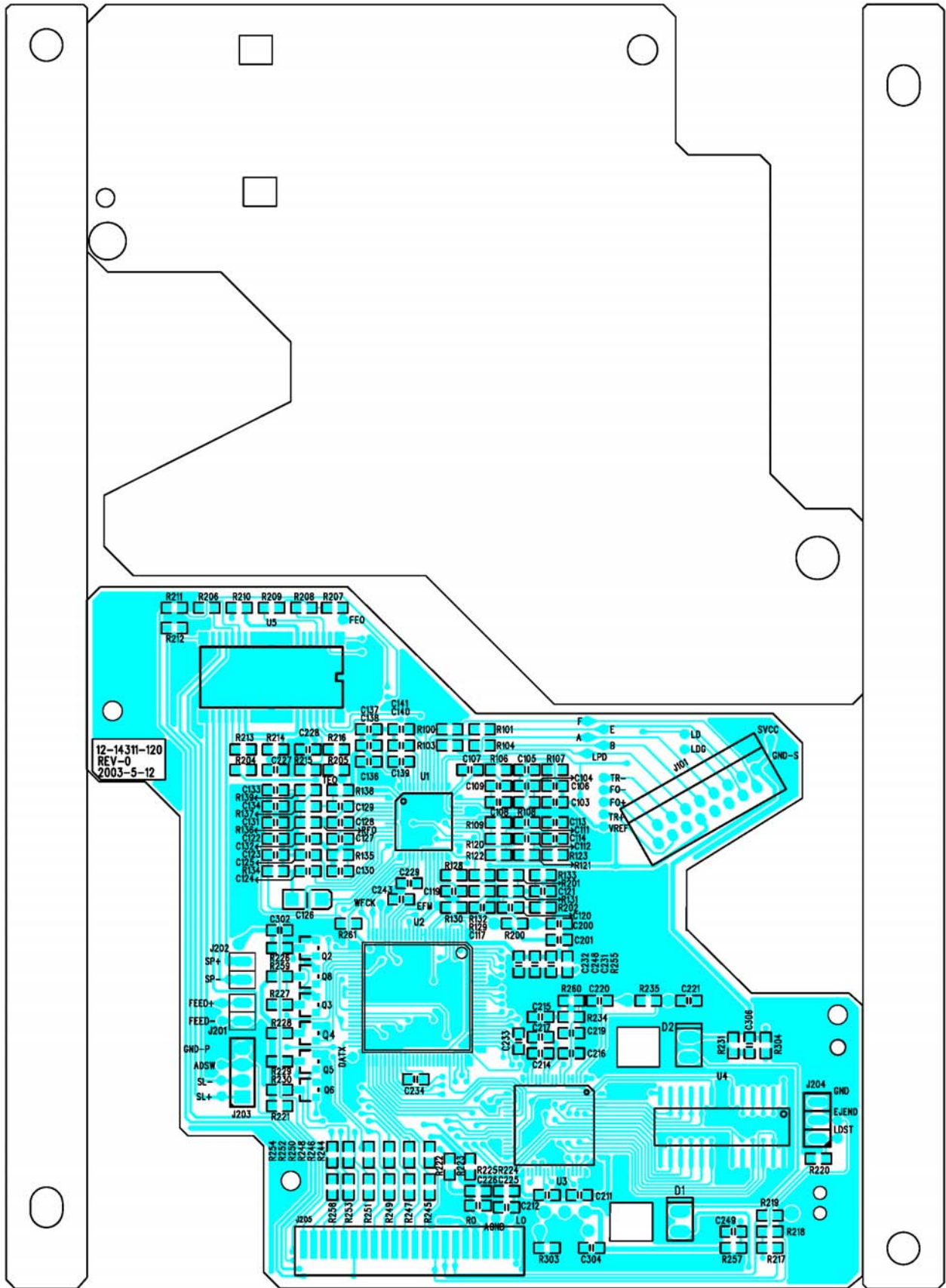
TOP VIEW

KEY BOARD



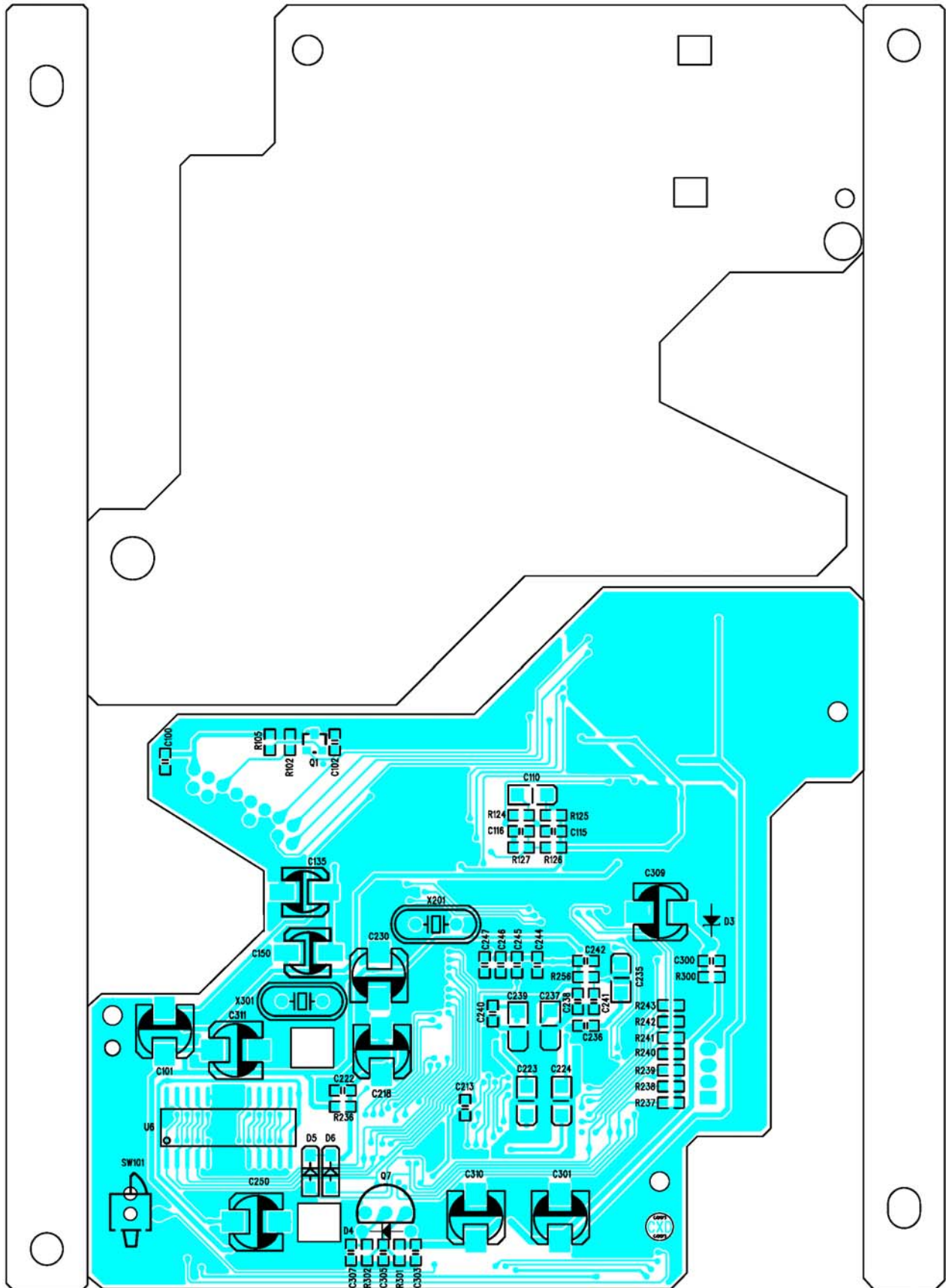
BOTTOM VIEW

CD SERVO BOARD



TOP VIEW

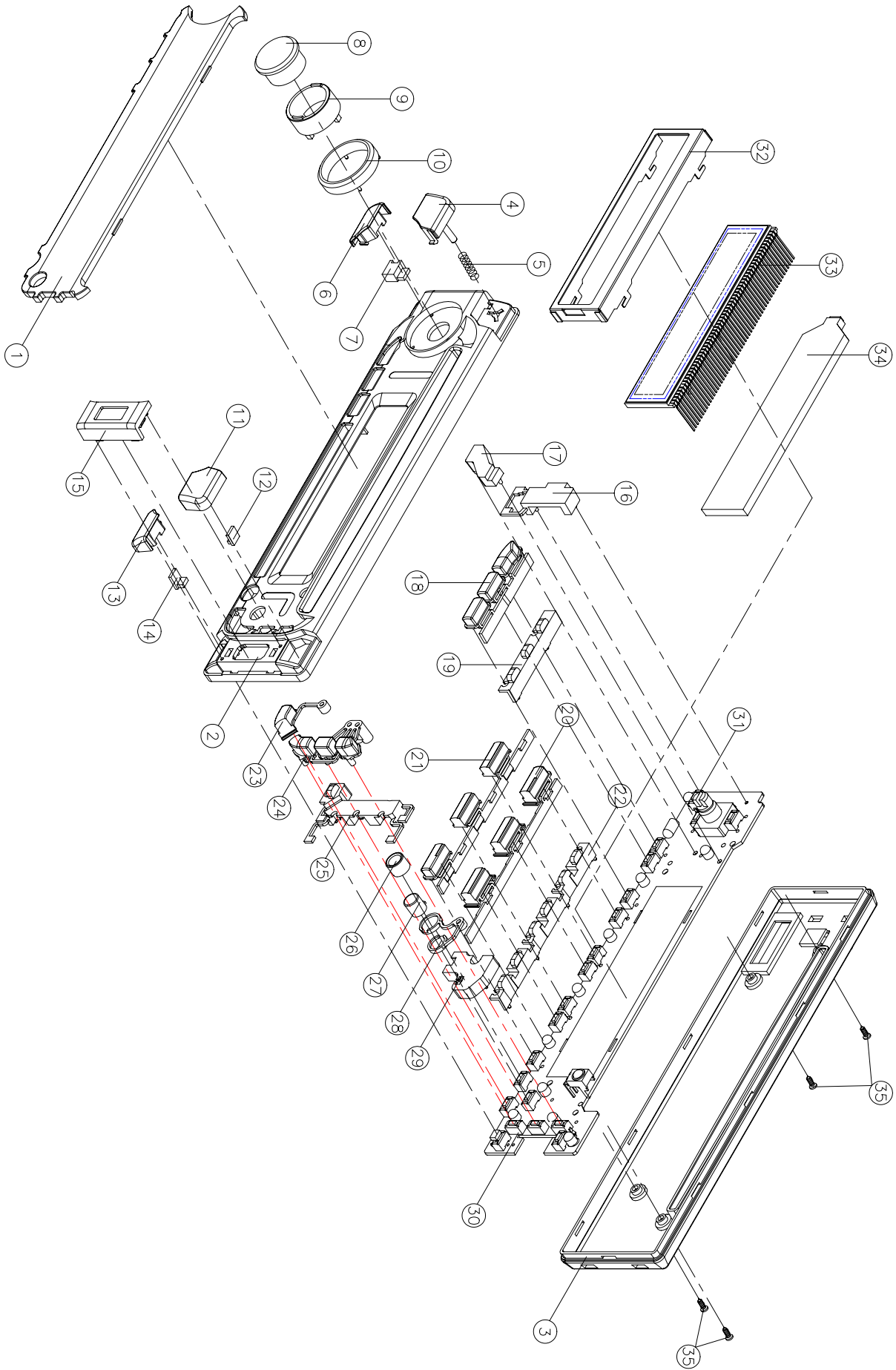
CD SERVO BOARD



BOTTOM VIEW

EXPLODED VIEW

PANEL



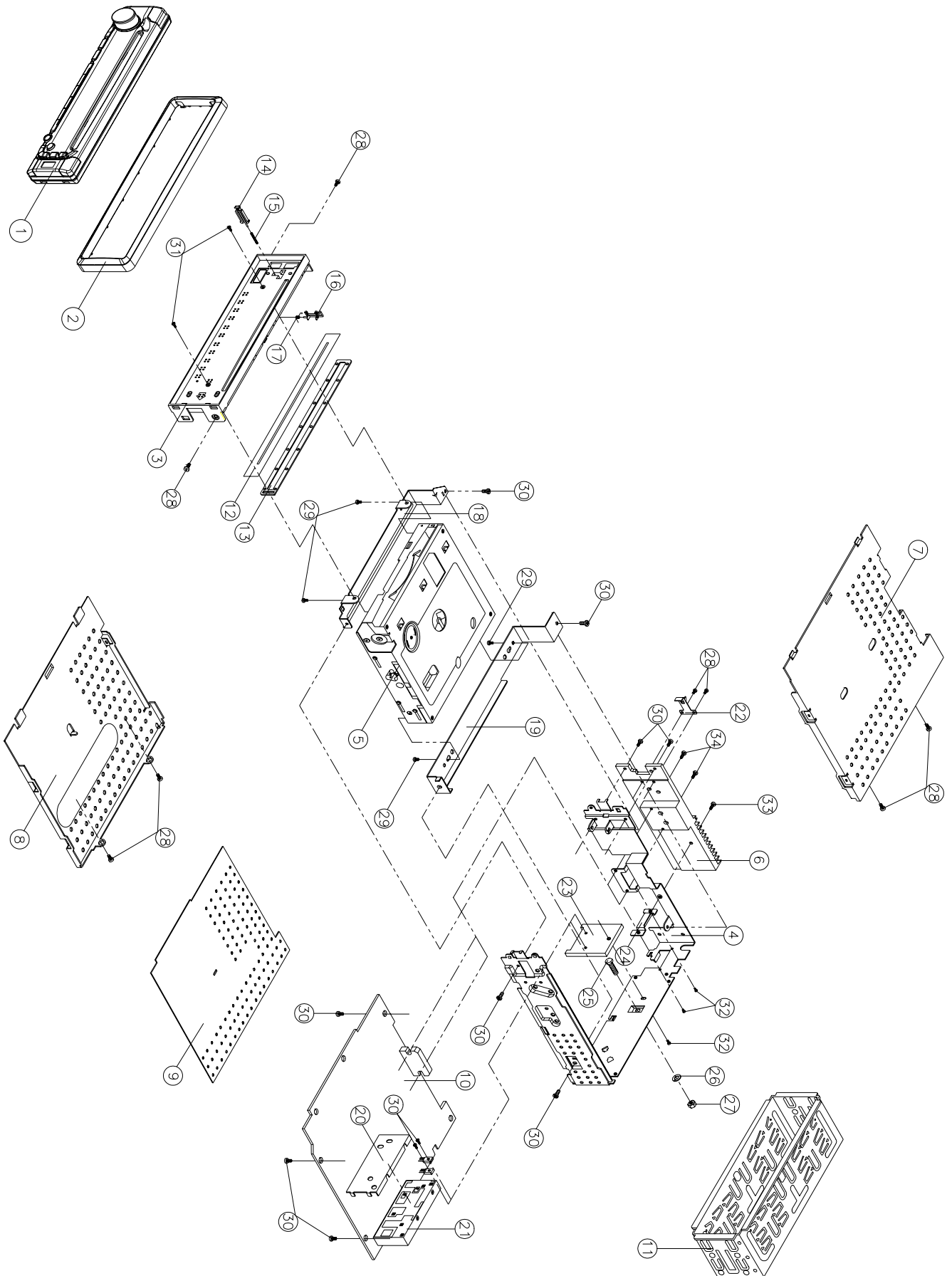
EXPLODED VIEW PARTS LIST

PANEL

Ref. No.	Description	RS Part No.	Mfr's Part No.
1	Lens; (S. OPC0000) X3.22.11 W/D		53-C2520-319
2	T. Panel (S. OPC2001) W/D		51-C2521-31Y
3	Panel Bottom		51-C2522-00
4	Release Key (S. OP2001)		52-C2535-31Y
5	RE Knob Spring		36-11852-00
6	Power Key (L-Up) (S. OP2001)		52-C2522-31
7	PWR Knob Adaptor		52-C2548-00
8	Encode Knob (Electron Plate)		52-C2534-90E
9	Rubber Finish Key (S. OP0000)		52-C2543-30
10	Decorate Ring (Electron Plate)		52-C2531-90E
11	Eject R Key (L-Up) (S. OP2001)		52-C2520-31
12	EJ Knob Adaptor		52-C2546-00
13	BND Key (L-Up) (S. OP2001)		52-C2521-31
14	BND Knob Adaptor		52-C2547-00
15	Eject/LOU/ENT (S. OP2001/PMS422C) W/O USB		52-C2533-33Y
16	PWR Back Light		52-C2544-00
17	CD B.L		52-C2545-00
18	MUT/LOC/MON Key (L-Up) (S. OPC0000)		52-C2525-02
19	MUT Knob Back Light		52-C2539-00
20	1PAU/3RPT/5 Key (L-Up) (S. OP0000)		52-C2526-02
21	2SCN/4SHF/6 Key (L-Up) (S. OP0000)		52-C2527-02
22	PAU Knob Back Light		52-C2540-00
23	TUNE SKIP Key (L-Up) (S. OPC0000)		52-C2528-02
24	TUNE SKIP/DISP/EQ Key (L-Up) (S. OPC0000)		52-C2529-02
25	EQ Knob Back Light		52-C2542-00
26	MOD Key (Crystal/Blue PMS285C)		52-C2536-71B
27	AMS Key (Crystal/Blue PMS285C)		52-C2537-71B
28	MOD Knob Adaptor		52-C2530-00
29	MOD Knob Back Light		52-C2541-00
30	Key Board		11-20050-308
31	CD115 ROTRAY Encoder VOL		18-00115-00
32	LCD Bracket Real (E)		39-E2004-00
33	CD100 LCD TN COLOR NEG 84X22 PIN		27-10000-01Y
34	CD1007 B. Light /White		02-01007-09
35	Screw Ø2X8 BA/ST Black		40-12008-21

EXPLODED VIEW

CABINET

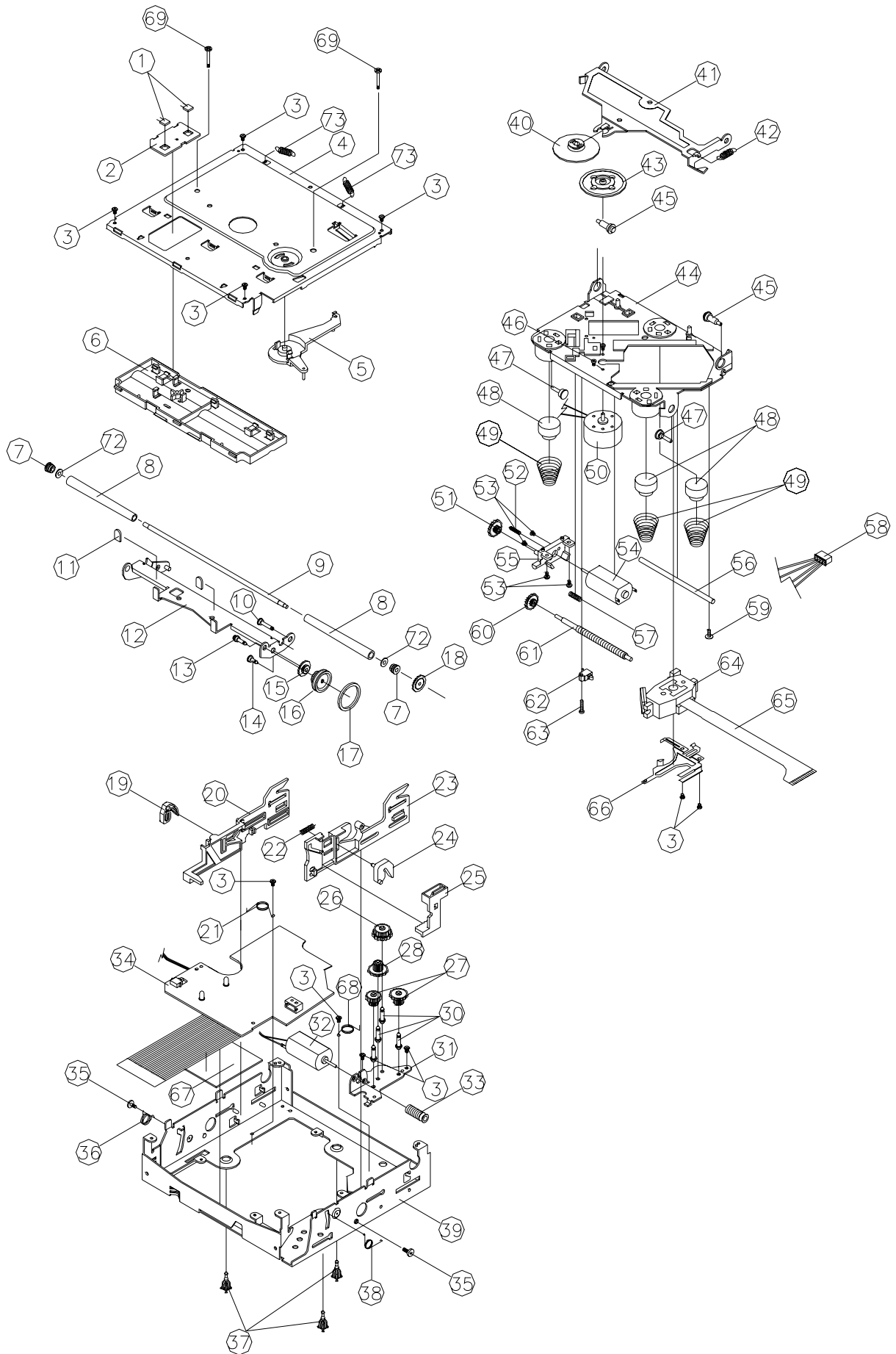


EXPLODED VIEW PARTS LIST

CABINET

Ref. No.	Description	RS Part No.	Mfr's Part No.
1	Panel		
2	Ring /ABS (S. OP2001)		51-E2022-30Y
3	Base Real (E) /777		51-E2020-00
4	Side Bracket (CD200 Wire)		61-E2005-04
5	CD MECHANISM CDM-1683EUK W/O BKT		94-01683-11
6	Heat Sink (For Wire)		61-E2006-00
7	Top Cabinet		61-B0105-01
8	Bottom Cabinet (For Wire)		61-B0114-01
9	Main Fiber		35-B0101-00
10	Main Board		11-20001-025
11	Mounting Box (072)		61-07211-03
12	Shade		81-69005-02
13	CD Windows Sheet		43-A3103-00
14	Lock Panel Knob		52-E2041-00
15	Spring For EJ Panel CD200		36-E2001-00
16	Hook Knob		52-E2040-01
17	Spring For Hook Knob CD200		36-E2002-00
18	Deck Front Bracket		39-E2007-01
19	Deck Rear Bracket		39-B0101-01
20	FM Cover		39-D0507-00
21	MITSUMI TUNER FAE347-A29		29-00347-02
22	Spring Sheet		39-B0102-00
23	Heat Sink (7809/DB435) W/O Shaft		39-B0113-02
24	Wire Clip 1.0MM		39-B1415-00
25	Screw Ø5X18 HH		40-05018-04
26	Spring Washer M5		35-50001-00
27	Hexagon Nut M5		35-40005-00
28	Screw Ø2.6 X 4 BH/MS		40-02604-01
29	Screw Ø2.6 X 5 BH/TAPTITE		40-02605-03
30	Screw Ø2.6 X 6 BH/MS		40-02606-01
31	Screw Ø2.6 X 6 BH/MS Black		40-12606-01
32	Screw Ø2.6 X 8 BH/MS		40-02608-01
33	Screw Ø2.6 X 10 BH/MS		40-02610-01
34	Screw M2.6 X 20 PH/MS		40-02620-00

EXPLODED VIEW (DECK)



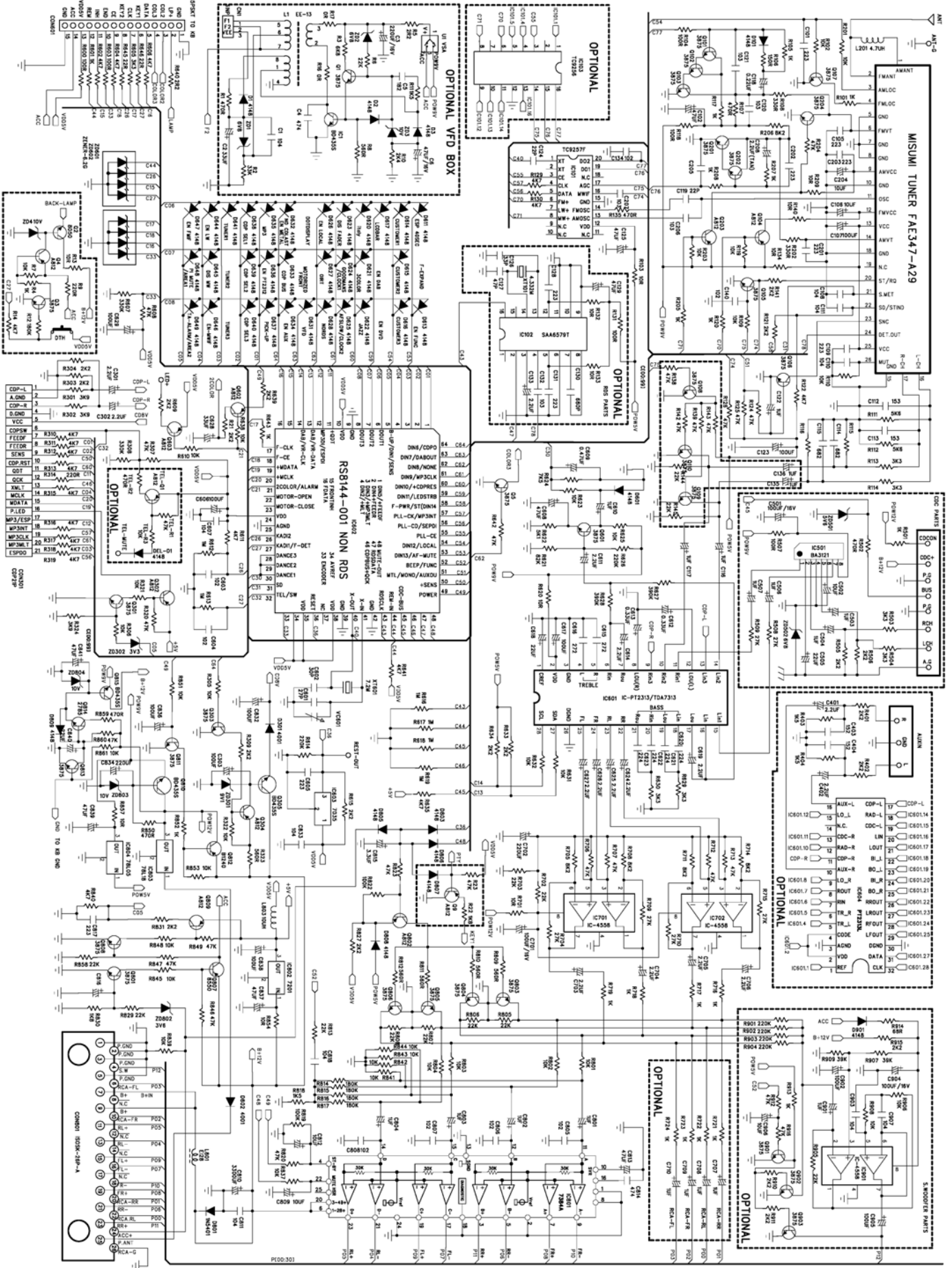
EXPLODED VIEW PARTS LIST (DECK)

Ref. No.	Description	Parts No.	Q'ty
1	SENSOR	ST-23G	2
2	SENSOR PCB	FR	1
3	SCREW	CA/H 0" TT 2*3	12
4	COVER-UPPER	SECC T1.0	1
5	LEVER DISC	POM (F20-03)	1
6	GUIDE UP	POM (F20-03)	1
7	BUSHING ROLLER	POM (F20-03)	2
8	ROLLER DISC	SLICON	2
9	SHAFT ROLLER	SUS 303	1
10	PIN ROLLER	SUM24L-NI (PLATE)	1
11	PVC CAP	PVC	2
12	B/K ROLLER	SECC T1.0	1
13	PIN PULLEY	SUM24L-NI (PLATE)	1
14	PIN IDLE	SUM24L-NI (PLATE)	1
15	GEAR IDLE	POM (F20-03)	1
16	GEAR PULLEY	POM (F20-03)	1
17	BELT PULLEY	CR-WRT	1
18	GEAR ROLLEY	POM (F20-03)	1
19	LOCKER (L)	POM (F20-03)	1
20	CAM (L)	POM (F20-03)	1
21	S/P CAM (L)	SUS304WPB	1
22	S/P RACK	SUS304WPB	1
23	CAM (R)	POM (F20-03)	1
24	LOCKER ®	POM (F20-03)	1
25	GEAR RACK	POM (F20-03)	1
26	GEAR LOAD ©	POM (F20-03)	1
27	GEAR LOAD (D)	POM (F20-03)	1
28	GEAR LOAD (B)	POM (F20-03)	1
29	GEAR LOAD (A)	POM (F20-03)	1
30	PIN LOAD	SUM24L-NI (PLATE)	4
31	B/K GEAR	SECC T1.0	1
32	MOTOR	FF-050SH-11190	1
33	GEAR WORM	POM (F20-03)	1
34	SERVO PCB ASSY	GLASS EPOXY 1.2T	1
35	SPECIAL SCREW	P/H TTS 2*2	4
36	S/P RO (L)	SUS304WPB	1
37	SUPPORT DAMPER	POM (F20-03)	3
38	S/P RO ®	SUS304WPB	1
39	CHASSIS MAIN	SEEC T1.0	1

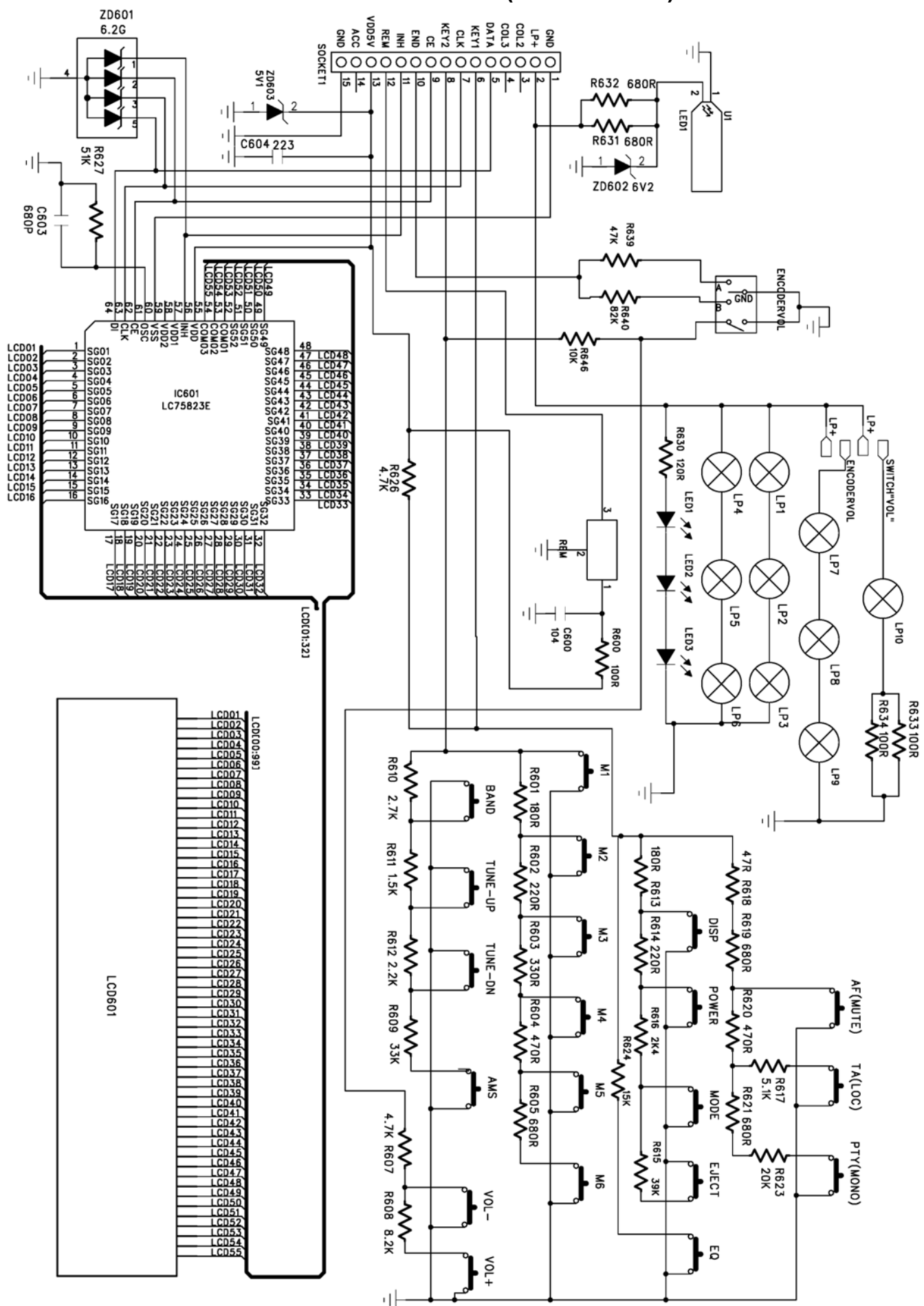
EXPLODED VIEW PARTS LIST - CONTINUED (DECK)

Ref. No.	Description	Parts No.	Q'ty
40	CLAMP DISC	POM (F20-03)	1
41	HOLD CLAMPER	SECC T1.0	1
42	S/P CLAMPER	SUS304WPB	1
43	TURN TABLE	ABS G/F 20%	1
44	BASE PU	POM (F20-03)	1
45	PIN SIDE (A)	SUM24L-NI (PLATE)	2
46	SCREW	CA/H 0" M/S 1.7*2.5	2
47	PIN SIDE (B)	SUM24L-NI (PLATE)	2
48	DAMPER	BUTHYL	1
49	S/P BASE	SUS304WPB	2
50	MOTOR	RF-400CA-12265	1
51	GEAR PU (B)	HYTRELL 5526	1
52	GEAR PU (A)	POM (F20-03)	1
53	SCREW	CA/H 0" M/S 2*2	6
54	MOTOR	FF-050SH-11190	1
55	HOUSING GEAR	POM (F20-03)	1
56	SHAFT PU	KNN11 (PCD18)	1
57	SCREW	R/H (W/W) TTB2*5	1
58	4P CONT WIRE	1007 #28	1
59	SPRING TENSION	SUS304WPB	1
60	GEAR PU ©	POM (F20-03)	1
61	LEAD SCREW	BSBM	1
62	SWITCH	SW-110	1
63	SCREW	B/H TTB1.7*8	1
64	PICK UP	SF-C99	1
65	FPC WIRE	POLY AMIDE	1
66	SPRING PU	SUS T0.2	1
67	FIBER PAPER		1
68	S/P CAM ®	0.55	1
69	TRANSIT SCREW	4.5*18	2
70	INSULATOR COVER	PE	1
71	SWITCH	SW-111	1
72	WASHER PE	PE	2
73	S/P BASE ®	SUS304WPB	2

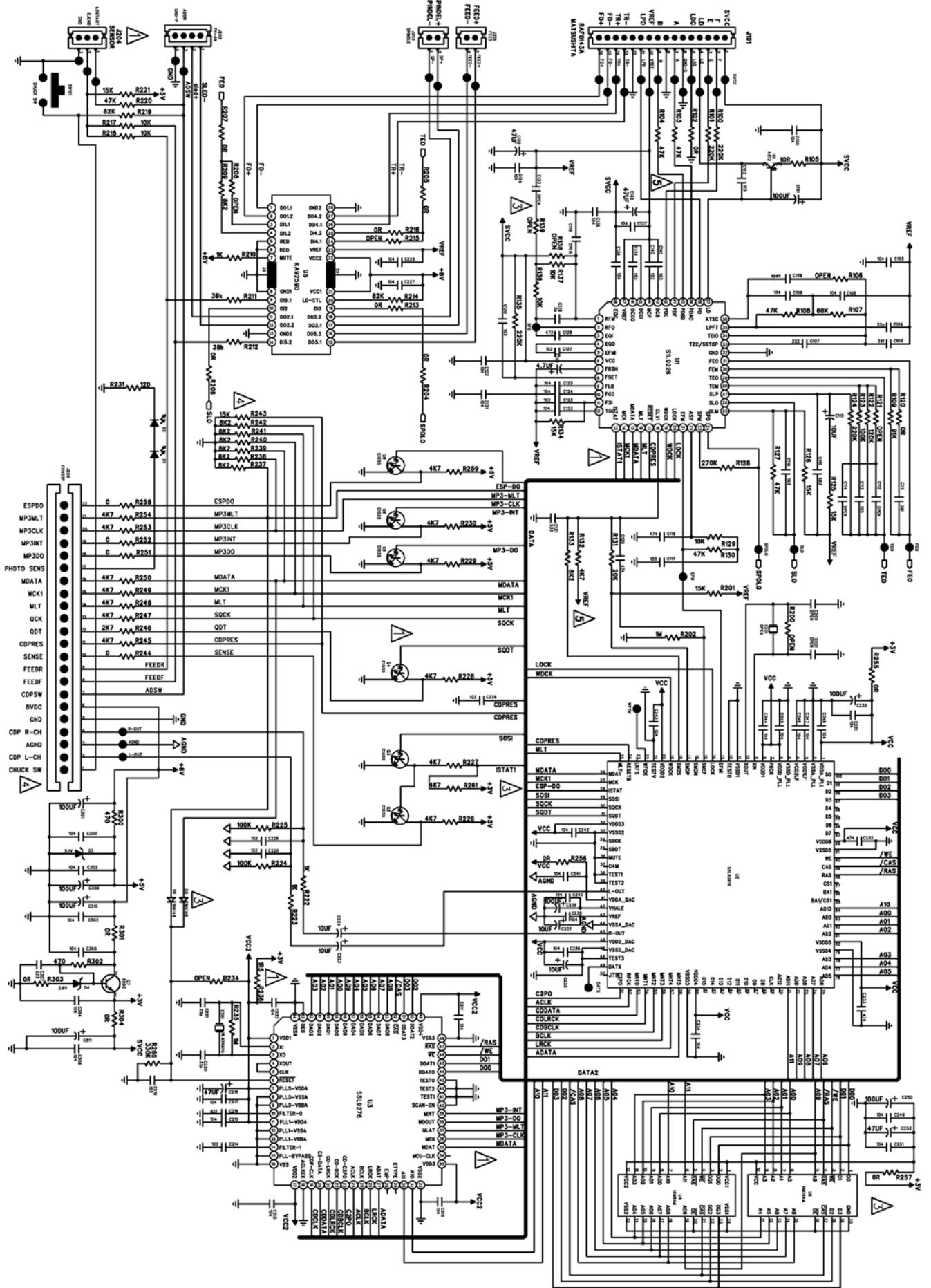
SCHEMATIC DIAGRAM (MAIN BOARD)



SCHEMATIC DIAGRAM (KEY BOARD)



SCHEMATIC DIAGRAM (CD SERVO BOARD)



ELECTRICAL PARTS LIST

Ref. No.	Part No.	Description	Q'ty
PC BOARD ASSY, MAIN BOARD			
Q810	01-00435-00S	TR. BD435 TO-126 SAMSUNG	1
Q104,802/9	01-00812-00	TR. 2SA812	3
Q812	01-01240-00	TRANSISTOR B1240	1
Q105~7,601,801/3~6/8,811	01-03875-07	TRANSISTOR 2SC3875G	11
IC802/4	01-07805-00	IC-REGULATOR 78L05	2
Q807	01-08550-03	TR. 8550C TO-92-B	1
ZD601/2	02-00062-07	E.S.D. DIODE NNCD6.2G (5PIN)	2
D802	02-04001-00	DIODE IN4001	1
D601,617,622/4/6,647,803/5/6/8	02-04148-00A	DIODE 1N-4148 AT. (TAPPING)	11
D801	02-05401-00	DIODE IN5401	1
ZD802	02-50036-00A	ZENER DIODE 3.6V 0.5W AT. ±2%	1
ZD803	02-50100-00A	ZENER DIODE 10V 0.5W AT. TAPE ±2%	1
IC604	03-02313-00	I.C. PT2313L	1
IC701/2	03-04558-16	I.C. BA-4558F	2
IC602	03-06144-00	IC OP6144-001 NON RDS (MP3+ESP)	1
IC603	03-07035-00	IC KIA7035P	1
IC801	03-07384-00	I.C. TDA7384 (4X40W) "Y"	1
IC803	03-07818-00	REGULATOR LC-78L18	1
IC101	03-09257-00	I.C. TC-9257F	1
XT601	04-00072-01H	CRYSTAL 702MHZ HC-49U/S 22PF	1
TUNE TO GND	05-05102-01	AXIAL CER CAP 1000PF ±20%	1
C140,603/4,805~8	05-63102-01	CHIP 1000PF ±10% X7R 0603 SMT	7
C207	05-63103-01	CHIP 0.01µF ±10% X7R 0603 SMT	1
C108,110/1,607,811/8,833	05-63104-01	CHIP 0.1µF ±10% X7R 0603 SMT	7
C119,124	05-63220-00	CHIP CAP 22PF ±5% NPO 0603 SMT	2
C101/5/9,605,817	05-63223-01	CHIP 0.022µF ±10% X7R 0603 SMT	5
C620~3	05-63224-01	CHIP 0.22µF ±10% X7R 0603 SMT	4
C601	05-63270-00	CHIP CAP 27PF ±5% NPO 0603 SMT	1
C615/6	07-63272-01	CHIP 2700PF ±10% X7R 0603 SMT	2
C602	05-63300-00	CHIP CAP 30PF ±5% NPO 0603 SMT	1
C814	05-63474-02	CHIP CAP 0.47µF ±20% X7R 0603 SMT	1
C836/7	06-10107-01	E. CAP 100µF 10V (Ø5X7MM MINI)	2
C107,123,606,617,838	06-10107-02	E. CAP 100µF 10V (6X5) SUPER MINI	5
C834/5	06-10227-01	E. CAP 220µF 10V (Ø6MM MINI)	2
C702	06-10227-02	E. CAP 220µF 10V (Ø8X5MM)	1
C106,809,812	06-16106-02E	E. CAP 10µF/16V (Ø4X5MM RC3)	3
C701	06-16107-04	E. CAP 100µF/16V (Ø6X5MM)	1
C618	06-16226-02	E. CAP 22µF 16V (Ø5X5MM)	1

ELECTRICAL PARTS LIST - CONTINUED

Ref. No.	Part No.	Description	Q'ty
C810	06-16338-00S	E. CAP 3300 μ F/16V 105°C	1
C102,125,608,629,813,839	06-16476-03	E. CAP 47 μ F 16V (6X5)	6
C116/7,122,610,801~4	06-50105-03	E. CAP 1 μ F 50V (\varnothing 4X5 MM)	8
C611/4/9,624~7,703~6	06-50225-02	E. CAP 2.2 μ F 50V (4X5)	11
C612/3	06-50334-03	E. CAP 0.33 μ F 50V (\varnothing 4X5MM)	2
C815	06-50335-01	E. CAP 3.3 μ F 50V (\varnothing 4X7MM)	1
C609	06-50474-02E	E. CAP 0.47 μ F/50V (4X5MM RC03)	1
R640	07-05022-10	RES. 2.2 Ω 1/2W	1
R134	07-05047-16A	RES. 4.7 Ω 1/16W (TAPPING)	1
R854	07-05100-00	RES. 10 Ω 1/4W	1
R620	07-05100-16A	RES. 10 Ω 1/16W (TAPPING)	1
R118	07-05101-16A	RES. 100 Ω 1/16W (TAPPING)	1
R837	07-05103-16A	RES. 10k Ω 1/16W(TAPPING)	1
R645/6	07-05220-16A	RES. 22 Ω 1/16W (TAPPING)	2
R600	07-05470-16A	RES. 47 Ω 1/16W (TAPPING)	1
R140,701,857	07-63100-00	CHIP RES. 10 Ω \pm 5% 0603 SMT	3
R603	07-63101-00	CHIP RES. 100 Ω \pm 5% 0603 SMT	1
R101,120,601,643,716~9,831,852	07-63102-00	CHIP RES. 1k Ω \pm 5% 0603 SMT	10
R102/9,110/9,623/5,631/2,801~4,839,841 ~4/5/8,851/3	07-63103-00	CHIP RES. 10k Ω \pm 5% 0603 SMT	21
R819,822	07-63104-00	CHIP RES. 100k Ω \pm 5% 0603 SMT	2
R612/3/6/9	07-63105-00	CHIP RES. 1M Ω \pm 5% 0603 SMT	4
R818	07-63152-00	CHIP RES. 1.5k Ω \pm 5% 0603 SMT	1
R830	07-63182-00	CHIP RES. 1.8k Ω \pm 5% 0603 SMT	1
R814~7	07-63184-00	CHIP RES. 180k Ω \pm 5% 0603 SMT	4
R850	07-63221-00	CHIP RES. 220 Ω \pm 5% 0603 SMT	1
R121,615,633/4,827	07-63222-00	CHIP RES. 2.2k Ω \pm 5% 0603 SMT	5
R702/3,805~8,813,829,858	07-63223-00	CHIP RES. 22k Ω \pm 5% 0603 SMT	9
R614,626	07-63224-00	CHIP RES. 220k Ω \pm 5% 0603 SMT	2
R704/9,710/5	07-63273-00	CHIP RES. 27k Ω \pm 5% 0603 SMT	4
R108	07-63331-00	CHIP RES. 330 Ω \pm 5% 0603 SMT	1
R113/4,605,629/30	07-63332-00	CHIP RES. 3.3k Ω \pm 5% 0603 SMT	5
R607	07-63334-00	CHIP RES. 330k Ω \pm 5% 0603 SMT	1
R627/8	07-63394-00	CHIP RES. 390k Ω \pm 5% 0603 SMT	2
R122/9/30,602/4/6,611,840	07-63472-00	CHIP RES. 4.7k Ω \pm 5% 0603 SMT	8
R124~6,608,641,706/7,712/3,820/3,846/7/ 9	07-63473-00	CHIP RES. 47k Ω \pm 5% 0603 SMT	15
R622	07-63512-00	CHIP RES. 5.1k \pm 5% 0603 SMT	1
R809~12	07-63561-00	CHIP RES. 560 Ω \pm 5% 0603 SMT	4

ELECTRICAL PARTS LIST – CONTINUED

Ref. No.	Part No.	Description	Q'ty
R624	07-63752-00	CHIP RES. 7.5kΩ ±5% 0603 SMT	1
R705/8,711/4	07-63822-00	CHIP RES. 8.2kΩ ±5% 0603 SMT	4
R621	07-63823-00	CHIP RES. 82kΩ ±5% 0603 SMT	1
L803	09-70100-01	MICRO INDUCTOR 10UH AXIAL TYPE	1
MB	11-02001-025	CD200X3.14/15 YMB 1.6X152X182MM	1
L801	15-27012-11J	RING COIL Ø27X12MM V-TYPE	1
RESET	16-00244-00	TACT SWITCH TC-244 H=6.85MM	1
CON601	25-M1475-00	15PIN SKT R41/1475A (KENWOOD)	1
PC BOARD ASSY, FM TUNER BOARD			
C114/5	05-63682-01	CHIP 6800PF ±10% X7R 0603 SMT	2
R141	07-05222-16A	CHIP RES. 2.2kΩ 1/16W (TAPPING)	1
R111/2	07-636562-00	CHIP RES. 5.6kΩ ±5% 0603 SMT	2
	29-00347-02	MITSUMI TUNER FAE347-A29	1
PC BOARD ASSY, AM TUNER BOARD			
Q203	01-00812-00	TR. 2SA812	1
Q201/2	01-03875-07	TRANSISTOR 2SC3875G	2
D641/6	02-04148-00A	DIODE IN-4148 AT. (TAPPING)	2
C208	05-16225-00	TAN CAP. 2.2µF 16V	1
C206	05-63103-01	CHIP 0.01µF ±10% X7R 0603 SMT	1
C201~3	05-63223-01	CHIP 0.022µF ±10% X7R 0603 SMT	3
C204	06-16106-02E	E. CAP. 10µF/16V (4X5MM RC3)	1
R209	07-05100-16A	ES. 10Ω 1/16W (TAPPING)	1
R205/7/8	07-63102-00	CHIP RES 1kΩ ±5% 0603 SMT	3
R201/3	07-63103-00	CHIP RES 10kΩ ±5% 0603 SMT	2
R202	07-63331-00	CHIP RES 330Ω ±5% 0603 SMT	1
R206	07-63822-00	CHIP RES 8.2kΩ ±5% 0603 SMT	1
L201	09-70470-04	M. INDUCTOR AL03TO4R7 (AXIAL)	1
PC BOARD ASSY, KEY BOARD			
ZD601	02-00062-07	E.S.D. DIODE NNCD6.2G (5PIN)	1
	02-01007-09	CD1007 B.LIGHT /WHT	1
DLP1~12	02-30553-60T	P. LAMP AA 3V 60MA Ø3X5.5 K.T.	12
ZD602	02-50051-00A	ZENER DIODE 5.1V 0.5W AT. ±2%	1
ZD603	02-50062-54	ZENER DIODE SMD 6.2V (LLDS) 1206	1
IC601	03-75823-00	IC LC75823ED	1
C604	05-63223-01	CHIP 0.022µF ±10% X7R 0603 SMT	1
C603	05-63681-00	CHIP 680PF ±5% NPO 0603 SMT	1
R646	07-63103-00	CHIP RES 10kΩ ±5% 0603 SMT	1
R611	07-63152-00	CHIP RES 1.5kΩ ±5% 0603 SMT	1
R624	07-63153-00	CHIP RES 15kΩ ±5% 0603 SMT	1

ELECTRICAL PARTS LIST - CONTINUED

Ref. No.	Part No.	Description	Q'ty
R601,613	07-63181-00	CHIP RES 180Ω ±5% 0603 SMT	2
R623	07-63203-00	CHIP RES 20kΩ ±5% 0603 SMT	1
R602,614	07-63221-00	CHIP RES 220Ω ±5% 0603 SMT	2
R612	07-63222-00	CHIP RES 2.2kΩ ±5% 0603 SMT	1
R616	07-63242-00	CHIP RES 2.4kΩ ±5% 0603 SMT	1
R610	07-63272-00	CHIP RES 2.7kΩ ±5% 0603 SMT	1
R603	07-63331-00	CHIP RES 330Ω ±5% 0603 SMT	1
R609	07-63333-00	CHIP RES 33kΩ ±5% 0603 SMT	1
R615	07-63393-00	CHIP RES 39kΩ ±5% 0603 SMT	1
R618	07-63470-00	CHIP RES 47Ω ±5% 0603 SMT	1
R604,620	07-63471-00	CHIP RES 470Ω ±5% 0603 SMT	2
R626,640	07-63472-00	CHIP RES 4.7kΩ ±5% 0603 SMT	2
R617	07-63512-00	CHIP RES 5.1kΩ ±5% 0603 SMT	1
R627	07-63513-00	HIP RES 51kΩ ±5% 0603 SMT	2
R605,619,621,631/2	07-63681-00	CHIP RES 680Ω ±5% 0603 SMT	5
R639	07-63822-00	CHIP RES 8.2kΩ ±5% 0603 SMT	1
KB	11-20050-308	CDE-2005 15P KB D/S 1.2X185X44.5MM	1
SW RES,VOL+/-	16-01107-02K	TACT SW. KIE KPT-1107CD 4.3M 2P RED	21
PC BOARD ASSY, SDK/CD SERVO BOARD			
Q2~6,8	01-00103-00	TR. KRC103S	6
Q1,302/4	01-00812-00	TR. 2SA812	3
Q7	01-01225-13	TRANSISTOR 2SD1225M	1
Q301/3	01-03875-07	TRANSISTOR 2SC3875G	1
D1,2	02-00144-00	IR LED MIE 144A1MC	2
D5,6	02-04148-02	DIODE CHIP RLS4148 1206 ROHM	2
D611,635	02-04148-00A	DIODE IN-4148 AT. (TAPPING)	2
ZD302	02-50033-00A	ZENER DIODE 3.3V 0.5W AT.	1
D4	02-50036-00	ZENER DIODE 3.6V 0.5W	1
D3	02-50051-00	ZENER DIODE 5.1V 0.5W	1
D7	02-50151-00	5.1V ZENER DIODE (SMD1206)	1
U1	03-09226-00	IC SIL 9226	1
U5	03-09259-00	IC KA9259D	1
U3	03-09276-00	IC S5L 9276X01-EORN	1
U2	03-09291-00	IC S5L9291X01-EORO	1
U4	03-M0404-04	4X4 DRAM SI17400B (FUJITSU DICE)	1
X301	04-00169-00	CRYSTAL HC-49/US 16.934MHZ	1
C10,126,223/4,235/7/9	05-16106-10	TAN CAP 10UF 16V ±10% (4.5X7)	7
C129	05-63020-00	CHIP CAP 2PF ±5% NPO 0603 SMT	1
C127,214	05-63102-01	CHIP 1000PF ±10% X7R 0603 SMT	2

ELECTRICAL PARTS LIST - CONTINUED

Ref. No.	Part No.	Description	Q'ty
C102,113/6/7,130,140/1,219,229	05-63103-01	CHIP 0.01 μ F \pm 10% X7R 0603 SMT	9
C100/3/6/8,119,122/4/5,131/2/4/6~8,211~ 3/5/7,222/7/8,231/4/6/8,240~9,253,300/2 ~6/8	05-63104-01	CHIP 0.1 μ F \pm 10% X7R 0603 SMT	44
C225/6	05-63152-01	CHIP 1500PF \pm 10% X7R 0603 SMT	2
C139	05-63153-01	CHIP 0.015 μ F \pm 10% X7R 0603 SMT	1
C104	05-63220-00	CHIP CAP 22PF \pm 5% NPO 0603 SMT	1
C107,123	05-63222-01	CHIP 2200PF \pm 10% X7R 0603 SMT	2
C307	05-63223-01	CHIP 0.022 μ F \pm 10% X7R 0603 SMT	1
C220/1	05-63330-00	CHIP CAP 33PF \pm 5% NPO 0603 SMT	2
C121	05-63333-01	CHIP 0.033 μ F \pm 10% 0603 SMT	1
C105,111	05-63391-00	CHIP 390PF \pm 5% NPO 0603 SMT	2
C128	05-63472-01	CHIP 4700PF \pm 10% X7R 0603 SMT	1
C120,232/3	05-63474-00	CHIP CAP 0.47 μ F \pm 5% (+80/-20%)	3
C115	05-63683-01	CHIP 0.068 μ F \pm 10% 0603 SMT	1
C216	05-63821-00	CHIP 820PF \pm 5% 0603 SMT	1
C303,832	06-10107-02	E. CAP 100 μ F 10V (6X5) SUPER MINI	2
C101,202/9,218,301/9,310/1	06-16107-54	E. CAP CHIP 100 μ F 16V \varnothing 6.3X5.5	8
C135,142	06-16476-54	E. CAP CHIP 47 μ F 16V \varnothing 5X5.5	2
C301/2	06-50225-02	E. CAP 2.2 μ F 50V (4X5)	2
R301	07-05047-00	RES. 4.7 Ω 1/4W	1
R305	07-05103-16A	RES. 10k Ω 1/16W (TAPPING)	1
R102,120,204~7,213/6,244,251/2/6/8,303	07-63000-00	CHIP RES 0 Ω 0603 SMT	14
R236,255,264,304	07-63015-00	CHIP RES 1.5 Ω 0603 SMT	4
R105	07-63100-00	CHIP RES 10 Ω \pm 5% 0603 SMT	1
R210,222/3	07-63102-00	CHIP RES 1k Ω \pm 5% 0603 SMT	3
R129/30,136/7,217/8,306,321/2	07-63103-00	CHIP RES 10k Ω \pm 5% 0603 SMT	9
R122/3,224/5	07-63104-00	CHIP RES 100k Ω \pm 5% 0603 SMT	4
R202,235	07-63105-00	CHIP RES 1M Ω \pm 5% 0603 SMT	2
R125/6,134,201,221,243	07-63153-00	CHIP RES 15k Ω \pm 5% 0603 SMT	6
R231	07-63181-00	CHIP RES 180 Ω \pm 5% 0603 SMT	1
R131	07-63203-00	CHIP RES 20k Ω \pm 5% 0603 SMT	1
R302,314,323	07-63221-00	CHIP RES 220 Ω \pm 5% 0603 SMT	3
R303/4/9	07-63222-00	CHIP RES 2.2k Ω \pm 5% 0603 SMT	3
R100/1,124,135	07-63224-00	CHIP RES. 220k Ω \pm 5% 0603 SMT	4
R246	07-63272-00	CHIP RES. 2.7k Ω \pm 5% 0603 SMT	1
R128	07-63274-00	CHIP RES. 270k Ω \pm 5% 0603 SMT	1
R220	07-63333-00	CHIP RES 33k Ω \pm 5% 0603 SMT	1
R260,308	07-63334-00	CHIP RES. 330k Ω	2

ELECTRICAL PARTS LIST - CONTINUED

Ref. No.	Part No.	Description	Q'ty
R301/2,324	07-63392-00	CHIP RES 3.9kΩ ±5% 0603 SMT	3
R211/2	07-63393-00	CHIP RES 39kΩ ±5% 0603 SMT	2
R263,300	07-63471-00	CHIP RES 470Ω ±5% 0603 SMT	2
R132,226~30,245~50/3/4/9,261,310~3/5~9	07-63472-00	CHIP RES 4.7kΩ ±5% 0603 SMT	24
R103/4/8,127,307,320	07-63473-00	CHIP RES. 47kΩ ±5% 0603 SMT	6
R107	07-63683-00	CHIP RES. 68kΩ ±5% 0603 SMT	1
R133,209,237~42	07-63822-00	CHIP RES. 8.2kΩ ±5% 0603 SMT	8
R214/9	07-63823-00	CHIP RES 82kΩ ±5% 0603 SMT	2
R109	07-63913-00	CHIP RES. 91kΩ ±5% 0603 SMT	1
	12-14311-120	PCB CDX3.20.11.4 SERVO D/S	1
SW101	16-00033-01	MICRO SWITCH MPU10371MLBO (MIC)	1
PC BOARD ASSY, LINE OUT SECTION			
C707/8	06-50105-03	E. CAP 1μF 50V (Ø4X5MM)	2
R721/2	07-63102-00	CHIP RES 1kΩ ±5% 0603 SMT	2
RCA	20-20360-08	RCA CABLE WIRE 360MM GREY	1

SPECIFICATIONS

T. H. D.....	Less than 0.35%
Signal to Noise Ratio	More than 60 dB
Channel Separation	More than 60 dB
Frequency Response	20Hz-20kHz
Stereo Separating (FM)	30 dB (at 1kHz)
Signal to Noise Ratio (FM)	Better than 50 dB
Output Power	4 X 40W
Speaker Output Impedance.....	4 To 8 ohm
Power Source	DC 12V, Negative ground.
Frequency Range	FM 87.5 - 108 MHz
.....	MW 522 -1620 kHz
.....	LW 144 -288 kHz
Sensitivity.....	FM 3 μ V (S/N=30dB)
.....	MW 32 dB μ (S/N=20 dB)
.....	LW 35 dB μ (S/N=20 dB)

Specifications are subject to change without notice.