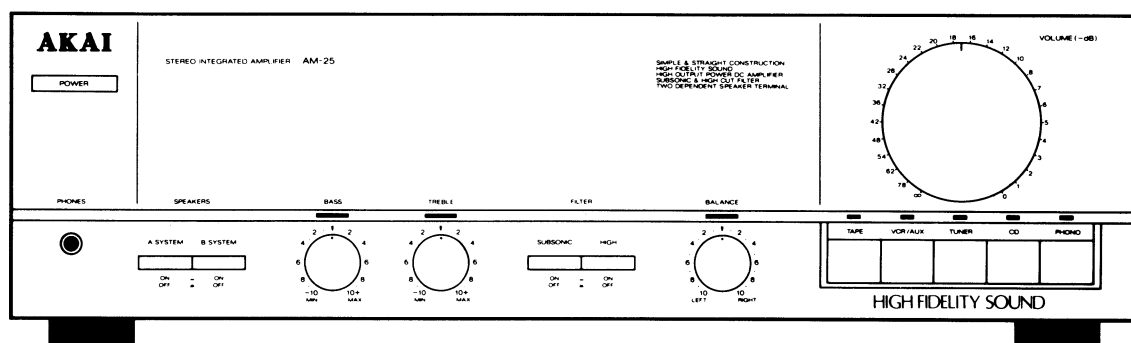


AKAI SERVICE MANUAL



STEREO INTEGRATED AMPLIFIER

MODEL **AM-15**

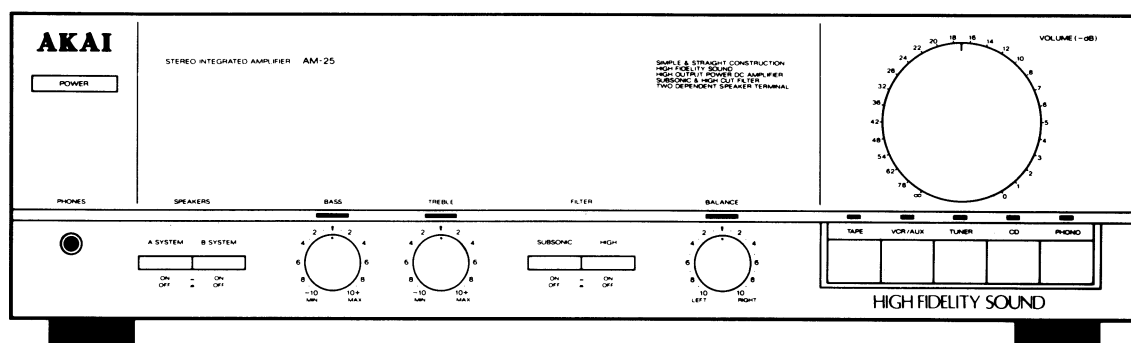
MODEL **AM-25**

SPECIFICATIONS

Power output (DIN 1 kHz) AM-15 35 W+35 W AM-25 60 W+60 W Music power output AM-15 160 W AM-25 270 W S/N (IHF-A) Phono (MM) 75 dB Tuner etc. 100 dB Residual noise 0.4 mV Channel separation (1 kHz) 60 dB Damping factor (1 kHz, 8 ohms) 35 Required speaker impedance A or B 4 ohms to 16 ohms A and B 8 ohms to 16 ohms Input sensitivity/Impedance Phono (MM) 3 mV/47 kohms Tuner, etc 150 mV/47 kohms Phono max. input level (1 kHz) 100 mV	Filters High 7 kHz, -6 dB/oct Subsonic 18 Hz, -6 dB/oct Power requirements 220V, 50 Hz for Europe except UK. 240V, 50 Hz for UK and Australia. 110V/120V/220V/240V, 50/60 Hz convertible for other countries. Dimensions 425(W)×130(H)×270(D) mm (16.7×5.1×10.6 inches) Weight AM-15 8.0 kg(17.6 lbs) AM-25 9.0 kg(19.8 lbs)
	Standard accessories Operator's manual 1

* For improvement purposes, specifications and design are subject to change without notice.

AKAI SERVICE MANUAL



STEREO INTEGRATED AMPLIFIER

MODEL **AM-15**

MODEL **AM-25**

SPECIFICATIONS

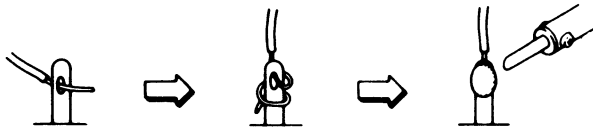
Power output (DIN 1 kHz)	Filters
AM-15 35 W+35 W	High 7 kHz, -6 dB/oct
AM-25 60 W+60 W	Subsonic 18 Hz, -6 dB/oct
Music power output	Power requirements 220V, 50 Hz for Europe except UK.
AM-15 160 W	240V, 50 Hz for UK and Australia.
AM-25 270 W	110V/120V/220V/240V,
S/N (IHF-A)	50/60 Hz convertible for other countries.
Phono (MM) 75 dB	Dimensions 425(W)×130(H)×270(D) mm
Tuner etc. 100 dB	(16.7×5.1×10.6 inches)
Residual noise 0.4 mV	Weight
Channel separation	AM-15 8.0 kg(17.6 lbs)
(1 kHz) 60 dB	AM-25 9.0 kg(19.8 lbs)
Damping factor	
(1 kHz, 8 ohms) 35	
Required speaker impedance	
A or B 4 ohms to 16 ohms	
A and B 8 ohms to 16 ohms	
Input sensitivity/Impedance	
Phono (MM) 3 mV/47 kohms	
Tuner, etc 150 mV/47 kohms	
Phono max. input level	
(1 kHz) 100 mV	
	Standard accessories
	Operator's manual 1

* For improvement purposes, specifications and design are subject to change without notice.

★SAFETY INSTRUCTIONS

PRECAUTIONS DURING SERVICING

1. Parts identified by the \triangle (*) symbol parts are critical for safety. Replace only with parts number specified.
2. In addition to safety, other parts and assemblies are specified for conformance with such regulations as those applying to spurious radiation. These must also be replaced only with specified replacements.
Examples: RF converters, tuner units, antenna selector switches, RF cables, noise blocking capacitors, noise blocking filters, etc.
3. Use specified internal wiring. Note especially:
 - 1) Wires covered with PVC tubing
 - 2) Double insulated wires
 - 3) High voltage leads
4. Use specified insulating materials for hazardous live parts. Note especially:
 - 1) Insulation Tape
 - 2) PVC tubing
 - 3) Spacers (Insulating Barriers)
 - 4) Insulation sheets for transistors
 - 5) Plastic screws for fixing microswitch (especially in turntable)
5. When replacing AC primary side components (transformers, power cords, noise blocking capacitors, etc.), wrap ends of wires securely about the terminals before soldering.



6. Observe that wires do not contact heat producing parts (heatsinks, oxide metal film resistors, fusible resistors, etc.).

7. Check that replaced wires do not contact sharp edged or pointed parts.
8. Also check areas surrounding repaired locations.
9. Use care that foreign objects (screws, solder droplets, etc.) do not remain inside the set.

SAFETY CHECK AFTER SERVICING

After servicing, make measurements of leakage-current or resistance in order to determine that exposed parts are acceptably insulated from the supply circuit. The leakage-current measurement should be done between accessible metal parts (such as chassis, ground terminal, microphone jacks, signal-input/output connectors, etc.) and the earth ground through a resistor of 1500 ohms paralleled with a 0.15 μ F capacitor, under the unit's normal working conditions. The leakage-current should be less than 0.5 mA rms AC. The resistance measurement should be done between accessible exposed metal parts and power cord plug prongs with the power switch (if included) "ON". The resistance should be more than 2.2 Mohms.

★INFORMATION

SYMBOLS FOR PRIMARY DESTINATION

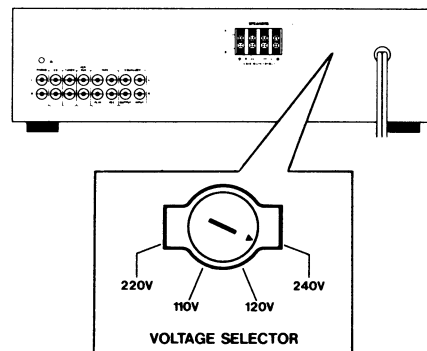
Alphabet indicates the destination of the units as listed below.

Symbols	Principal Destinations
A	USA
B	UK
C	Canada
E	Europe (except UK)
J	Japan
S	Australia
V	W. Germany only
U	Universal Area
Y*	Custom version

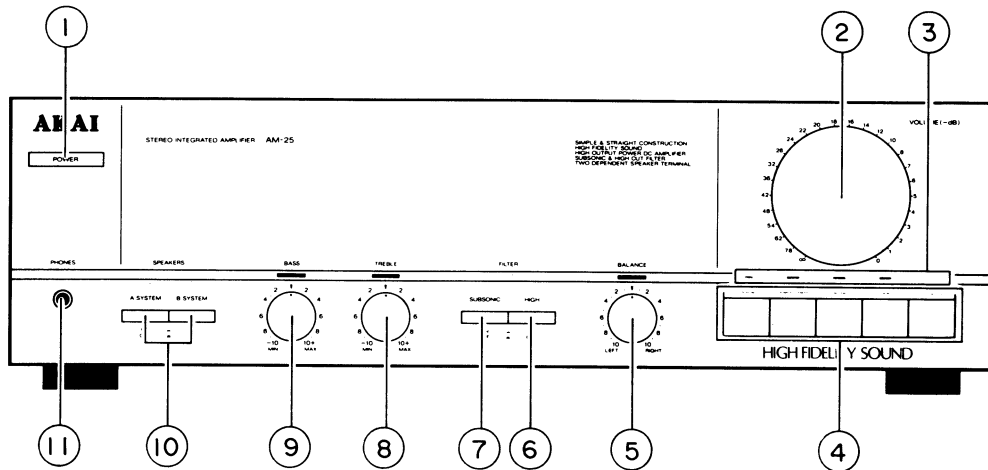
VOLTAGE CONVERSION

(U Model only)

Before connecting the power cord. Set the VOLTAGE SELECTOR located on the rear panel with a screw-driver so that the correct voltage is indicated.



I. CONTROLS

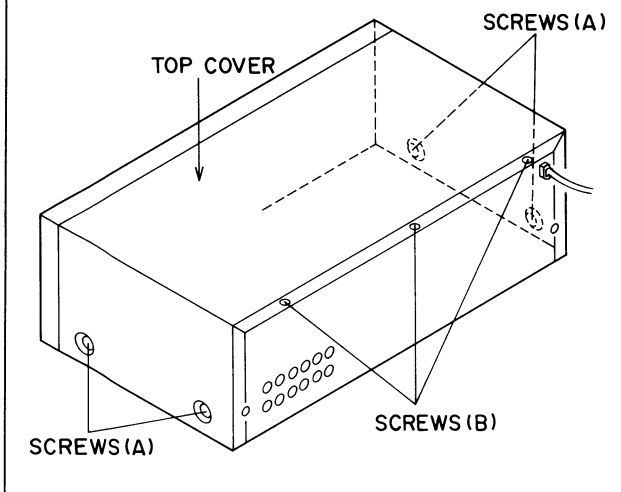


- 1 POWER Button**
To turn the power on and off.
- 2 VOLUME Control**
To adjust the volume level.
- 3 Input Source Indicators (TAPE, VCR/AUX, TUNER, CD, PHONO)**
Tells you the amplifier is turned on and which playback source is selected.
- 4 Input Select Buttons (TAPE, VCR/AUX, TUNER, CD, PHONO)**
To select a playback or recording source you wish to listen to.
- 5 BALANCE Control (LEFT/RIGHT)**
To adjust the left and right channel volume balance.
- 6 HIGH FILTER Switch (ON/OFF)**
To turn the high filter on and off.
- 7 SUBSONIC FILTER Switch (ON/OFF)**
To turn the subsonic filter on and off.
- 8 TREBLE Tone Control**
To adjust the high note (treble) level. When set to 0, the control is ineffective.
- 9 BASS Tone Control**
To adjust the low note (bass) level. When set to 0, the control is ineffective.
- 10 A and B SPEAKERS Switch (ON/OFF)**
To turn the speaker system on and off.
- 11 PHONES Jack**
For headphone listening. Connect the headphone plug to the jack.

II. DISASSEMBLY

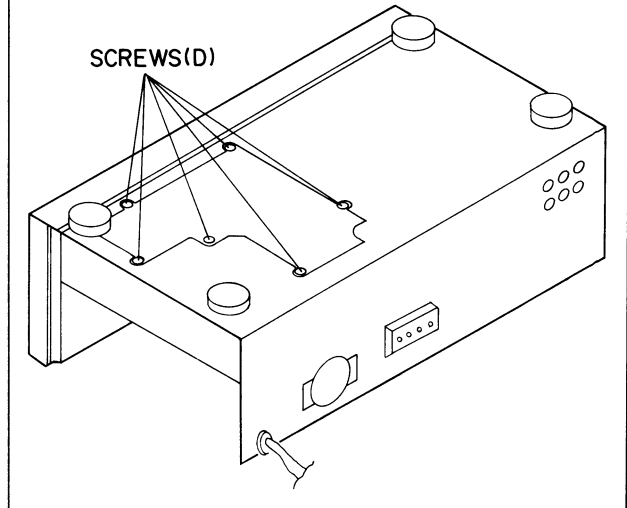
1. Removal of TOP COVER

Remove 4 screws (A) and 3 screws (B).



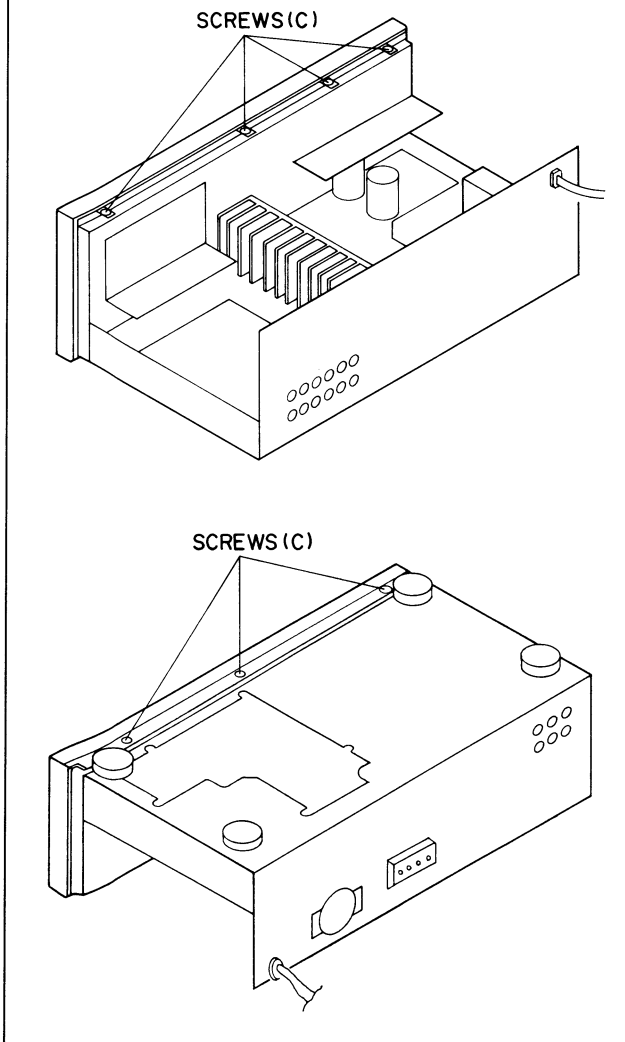
3. Removal of BOTTOM COVER

Remove 6 screws (D).



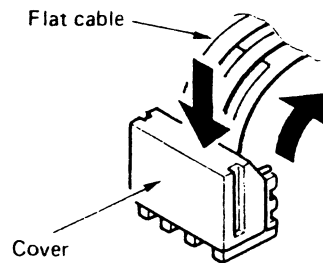
2. Removal of FRONT COVER

Remove 8 screws (C).

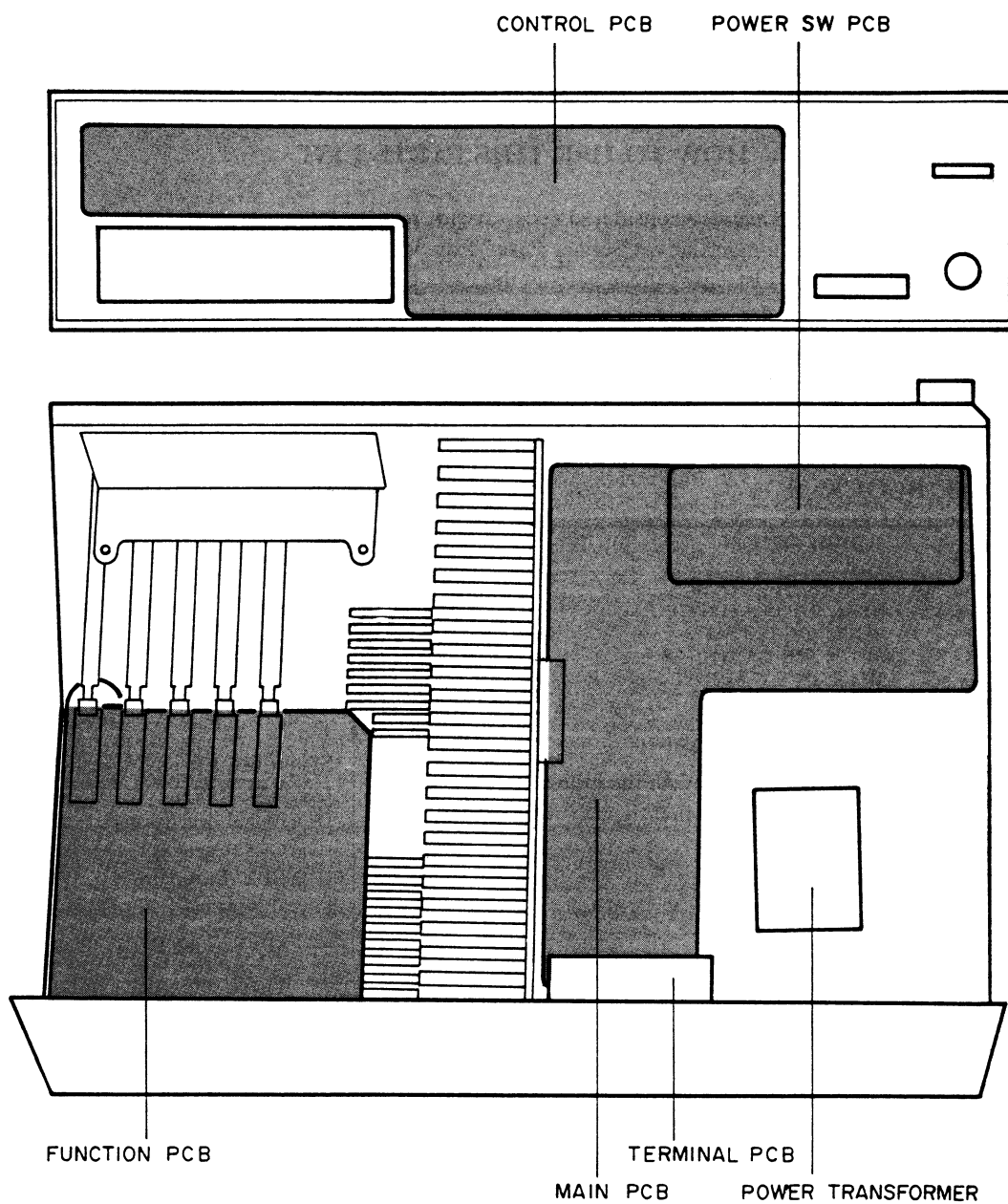


How to disconnect the flat cable

Pull up the flat cable, depressing the cover of connector.



III. PRINCIPAL PARTS LOCATION



IV. PARTS LIST

ATTENTION

1. When placing an order for parts, be sure to list Part No., Model No. and the description of each part. Otherwise, the non-delivery of the part or the delivery of a wrong part may result.
2. Please make sure that Part No. is correct when ordering.
If not, a part different from the one you ordered may be delivered.
3. Since the parts shown in Parts List of Preliminary Service Manual may have been the subject of changes, please use this Parts List for all future reference.

HOW TO USE THIS PARTS LIST

1. This Parts List lists those parts which are considered necessary for repairs. Other common parts, such as resistors and capacitors, are listed in the "Common List for Service Parts" from which these parts should be selected and stocked.
2. The Recommended Spare Parts List shows those parts in the Parts List which are considered particularly important for service.
3. Parts not shown in the Parts List and "Common List for Service Parts" will not in principle be supplied.
4. How to read the Parts List.

a) Mechanism Block

2. HEAD BASE BLOCK

REF. NO.	PART NO.	DESCRIPTION
1	BH-T2023A320A	HEAD BASE BLOCK
2	HP-H2206A010A	HEAD R/P PR4-8FU C
3	ZS-477876	PAN20×03STL CMT
4	ZS-536488	BID20×08STL CMT
5	ZG-402895	SP CS ANGLE ADJUST

SP (Service Parts) Classification

This number corresponds with the individual parts index number in that figure.

b) PC Board

6. MAIN PC BOARD

REF. NO.	PART NO.	DESCRIPTION
IC1	EI-324536	IC HD14049BP
IC2	EI-336801	IC MB8841-564M
C1A	EC-338399	C MMY V 223M 250AC [U,E,B,S]
C1B	EC-350949	C MMY V 223M 250DC [J]
C1C	EC-338397	C MMY V 223M 125AC [C,A]
X1	EI-318384	OSC X'TAL NC-18C

Symbols for primary destination

[A] : AAL (U.S.A) [S] : SAA (Australia)

[B] : BEAB (England) [U] : U/T (Universa

[C] : CSA (Canada) Area

[E] : CEE (Europe) [V] : VDE (W. Germany)

[J] : JPN (Japan) [Y] : Custom Version

SP (Service Parts) Classification

These reference symbols correspond with component symbols in the Schematic Diagrams.

The available PC Board Blocks are listed separately.

5. When Part No. is known, Parts Index at end of Parts List can be used to locate where that part is shown in Parts List by its Reference No. listed at right of Part No.

WARNING

△(*) INDICATES SAFETY CRITICAL COMPONENTS. FOR CONTINUED SAFETY, REPLACE SAFETY CRITICAL COMPONENTS ONLY WITH MANUFACTURE'S RECOMMENDED PARTS.

AVERTISSEMENT

△(*) IL INDIQUE LES COMPOSANTS CRITIQUES DE SÉCURITÉ. POUR MAINTENIR LE DEGRÉ DE SÉCURITÉ DE L'APPAREIL, NE REMPLACER QUE DES PIÈCES RECOMMANDÉES PAR LE FABRICANT.

1. RECOMMENDED SPARE PARTS

We suggest you to stock the following Recommended Spare Part items listed below since they can cover most of the routine service.

Ref. No.	Part No.	Description
1	*BT-727073T	TRANS POW AM-A335(U) [U] [AM-15]
2	*BT-727086T	TRANS POW AM-A535(B,S) [B,S] [AM-25]
3	*BT-727087T	TRANS POW AM-A535(E,V) [E,V] [AM-25]
4	*BT-727088T	TRANS POW AM-A535(U) [U] [AM-25]
5	*BT-720729	TRANS POW TPZ-4066 AM-A305(B,S) [B,S] [AM-15]
6	*BT-720730	TRANS POW TPZ-4067 AM-A305(E) [E,V] [AM-15]
7	ED-727084T	D LED SE-6321 [PHONE]
8	*ED-353550	D SILICON DBA30C-K12 200/3.0A [AM-15]
9	*ED-350748	D SILICON DBA60C-K15 200/6.0A [AM-25]
10	*ED-357754	D SILICON DS135D 200/1.0A
11	*ED-327057	D SILICON H DS442X
12	*ED-308860	D ZENER H RD16E B
13	*EF-359007	FUSE BET T 250V 1.25A [B,S] [AM-25]
14	*EF-364518	FUSE BET T 250V 2.50A [B,S] [AM-15]
15	*EF-359225	FUSE BET T 250V 3.15A [B,S] [AM-15]
16	*EF-359086	FUSE BET T 250V 4.00A [B,S] [AM-25]
17	*EF-358641	FUSE BET T 250V 800MA [B,S] [AM-15]
18	*EF-602550	FUSE SEMKO T 250V 1.25A [U] [AM-15]
19	*EF-601301	FUSE SEMKO T 250V 2.00A [U] [AM-25]
20	*EF-623125	FUSE SEMKO T 250V 2.50A [E,V] [AM-15]
21	*EF-691007	FUSE SEMKO T 250V 3.15A [E,V] [AM-15]
22	*EF-690996	FUSE SEMKO T 250V 4.00A [E,V] [AM-25]
23	*EF-258344	FUSE SEMKO T 250V 800MA [E,V] [AM-15]
24	EI-346071	IC M5218L-21
25	*EI-358554	IC STK4152II [AM-15]
26	*EI-727090T	IC STK4192-2 [AM-25]
27	*ER-368966	R CB H FS RDS 1/4W 8R2J
28	*ER-324337	R CB H S10 FS RDS 1/4W 560J
29	*ER-720717	R CB 1/3W 560J
30	*ER-360064	R OMF H S10 FS 1/2W 221J [AM-15]
31	*ER-378735J	R OMF H S12 FS 1W 391J [AM-25]
32	*ER-341940	R OMF H S15 FS 1W 100J
33	*ER-355633	R OMF H S15 FS 1W 331J [AM-15]
34	*ER-325843	R OMF H S15 FS 1W 391J [AM-25]
35	ES-364176	SW PUSH SPPH11 2-02-02N [SUBSONIC]
36	ES-727077T	SW PUSH SPUF54AA37-CL [INPUT SELECTOR]
37	ES-727078T	SW PUSH SPUL24C003-CL [SPEAKER SELECTOR]
38	*ES-720817	SW PUSH 125V 10A [POWER SW]
39	*ES-349070	SW SELECTOR YKS11-0002 02-4 [U]
40	*ET-348302	TR FET 2SK381 C,D F05
41	*ET-371005	TR 2SA1284 D,E F05

Ref. No.	Part No.	Description	Ref. No.	Part No.	Description
42	*ET-720724	TR 2SC3244 D,E	R51A	*ER-360064	R OMF H S10 FS 1/2W 221J [AM-15]
43	*ET-360137	TR 2SC3330 U,V F05	R51B	*ER-325843	R OMF H S15 FS 1W 391J [AM-25]
44	EV-725592T	VR ROTARY VB161GPV25F-15C50K [BASS]	R61	*ER-720717	R CB 1/3W 560J
45	EV-725471T	VR ROTARY VB161PV25F-4BM10K [BALANCE]	R308	*ER-368966	R CB H FS RDS 1/4W 8R2J
46	EV-727083T	VR VB101GPV25F-15A 103 [VOLUME]	R311	*ER-341940	R OMF H S15 FS 1W 100J
			R312	*ER-341940	R OMF H S15 FS 1W 100J
			R314	*ER-324337	R CB H S10 FS RDS 1/4W 560J
			R315A	*ER-355633	R OMF H S15 FS 1W 331J [AM-15]
			R315B	*ER-378735J	R OMF H S12 FS 1W 391J [AM-25]
			R411	*ER-341940	R OMF H S15 FS 1W 100J
			R412	*ER-341940	R OMF H S15 FS 1W 100J
			R415A	*ER-355633	R OMF H S15 FS 1W 331J [AM-15]
			R415B	*ER-378735J	R OMF H S12 FS 1W 391J [AM-25]

2. P.C BOARD BLOCK

Ref. No.	Part No.	Description	Ref. No.	Part No.	Description
1A	BA-729399T	PC(#) MAIN BLK AM-15(B,S) [B,S]	R801	*ER-720699	R CB 1/3W 100J
1B	BA-729400T	PC(#) MAIN BLK AM-15(V) [V]	R804	*ER-313517	R OMF H S20 FS 2W 222J
1C	BA-729401T	PC(#) MAIN BLK AM-15(E) [E]	SW331	ES-727078T	SW PUSH SPUL24C003-CL [SPEAKER SELECTOR]
1D	BA-729402T	PC(#) MAIN BLK AM-15(U) [U]	TR51	*ET-720724	TR 2SC3244 D,E
1E	BA-729393T	PC(#) MAIN BLK AM-25(B,S) [B,S]	TR52	*ET-348302	TR FET 2SK381 C,D F05
1F	BA-729394T	PC(#) MAIN BLK AM-25(V) [V]	TR61	*ET-371005	TR 2SA1284 D,E F05
1G	BA-729395T	PC(#) MAIN BLK AM-25(E) [E]	TR62	*ET-348302	TR FET 2SK381 C,D F05
1H	BA-729396T	PC(#) MAIN BLK AM-25(U) [U]	TR801	*ET-360137	TR 2SC3330 U,V F05
2	BA-729398T	PC FUNCTION BLK AM-15/25	F3A	*EF-691007	FUSE SEMKO T 250V 3.15A [E,V] [AM-15]
			F3B	*EF-359225	FUSE BET T 250V 3.15A [B,S] [AM-15]
			F3C	*EF-690996	FUSE SEMKO T 250V 4.00A [E,V] [AM-25]
			F3D	*EF-359086	FUSE BET T 250V 4.00A [B,S] [AM-25]
			F4A	*EF-691007	FUSE SEMKO T 250V 3.15A [E,V] [AM-15]
			F4B	*EF-359225	FUSE BET T 250V 3.15A [B,S] [AM-15]
			F4C	*EF-690996	FUSE SEMKO T 250V 4.00A [E,V] [AM-25]
			F4D	*EF-359086	FUSE BET T 250V 4.00A [B,S] [AM-25]
			F5A	*EF-691007	FUSE SEMKO T 250V 3.15A [U] [AM-15]
			F5B	*EF-623125	FUSE SEMKO T 250V 2.50A [E,V] [AM-15]
			F5C	*EF-364518	FUSE BET T 250V 2.50A [B,S] [AM-15]
			F5D	*EF-690996	FUSE SEMKO T 250V 4.00A [U] [AM-25]
			F5E	*EF-691007	FUSE SEMKO T 250V 3.15A [E,V] [AM-25]
			F5F	*EF-359225	FUSE BET T 250V 3.15A [B,S] [AM-25]
			F6A	*EF-691007	FUSE SEMKO T 250V 3.15A [U] [AM-15]
			F6B	*EF-623125	FUSE SEMKO T 250V 2.50A [E,V] [AM-15]
			F6C	*EF-364518	FUSE BET T 250V 2.50A [B,S] [AM-15]
			F6D	*EF-690996	FUSE SEMKO T 250V 4.00A [U] [AM-25]
			F6E	*EF-691007	FUSE SEMKO T 250V 3.15A [E,V] [AM-25]
			F6F	*EF-359225	FUSE BET T 250V 3.15A [B,S] [AM-25]

PC (#) MAIN BLK CONSISTS OF FOLLOWING P.C BOARD.
* MAIN P.C BOARD
* POWER SW P.C BOARD

3. MAIN P.C BOARD

Ref. No.	Part No.	Description
C45A	*EC-352643	C EC V 472M 40DC [AM-15]
C45B	*EC-351909	C EC V CUT SM 472M 50.0DC [AM-25]
C46A	*EC-352643	C EC V 472M 40DC [AM-15]
C46B	*EC-351909	C EC V CUT SM 472M 50.0DC [AM-25]
D31A	*ED-353550	D SILICON DBA30C-K12 200/3.0A [AM-15]
D31B	*ED-350748	D SILICON DBA60C-K15 200/6.0A [AM-25]
D51	*ED-308860	D ZENER H RD16E B
D61	*ED-308860	D ZENER H RD16E B
D802	*ED-327057	D SILICON H DS442X
D803	*ED-357754	D SILICON DS135D 200/1.0A
D804	*ED-348990	D SILICON H DS446
D805	ED-348990	D SILICON H DS446
IC301A	*EI-358554	IC STK4152II [AM-15]
IC301B	*EI-727090T	IC STK4192-2 [AM-25]
J331	EJ-720702	PHONE J [HEADPHONE]
L301	EO-337880	COIL FIX 2 202AK-018 2R2K
L302	EO-342936	COIL BALUM
L401	EO-337880	COIL FIX 2 202AK-018 2R2K
L402	EO-342936	COIL BALUM

4. EQUALIZER P.C BOARD

Ref. No.	Part No.	Description
IC101	*EI-346071	IC M5218L-21
J101	EJ-724649T	PIN J PCB-204S [PHONE/CD]
J102	EJ-720704	PIN J. 4P [TUNER,VCR/AUX]
J103	EJ-720704	PIN J. 4P [TAPE]
J104	EJ-720704	PIN J. 4P [EQUALIZER]
R129	*ER-720699	R CB 1/3W 100J
R130	*ER-720699	R CB 1/3W 100J
SW101	ES-727077T	SW PUSH SPUF54AA37-CL [INPUT SELECTOR]

5. POWER SW P.C BOARD

Ref. No.	Part No.	Description
L11	EO-338409	COIL LF FKOB160MH02 250UH [V]
SW11	*ES-720817	SW PUSH 125V 10A [POWER SW]
F1A	*EF-602550	FUSE SEMKO T 250V 1.25A [U] [AM-15]
F1B	*EF-258344	FUSE SEMKO T 250V 800MA [E,V] [AM-15]
F1C	*EF-358641	FUSE BET T 250V 800MA [B,S] [AM-15]
F1D	*EF-601301	FUSE SEMKO T 250V 2.00A [U] [AM-25]
F1E	*EF-602550	FUSE SEMKO T 250V 1.25A [E,V] [AM-25]
F1F	*EF-359007	FUSE BET T 250V 1.25A [B,S] [AM-25]
F2A	*EF-602550	FUSE SEMKO T 250V 1.25A [U] [AM-15]
F2B	*EF-601301	FUSE SEMKO T 250V 2.00A [U] [AM-25]

6. FUNCTION P.C BOARD

Ref. No.	Part No.	Description
D101	ED-727084T	D LED SE-6321 [PHONE]
D102	ED-727084T	D LED SE-6321 [CD]
D103	ED-727084T	D LED SE-6321 [TUNER]
D104	ED-727084T	D LED SE-6321 [VCR/AUX]
D105	ED-727084T	D LED SE-6321 [TAPE]
IC501	EI-346071	IC M5218L-21
R511	ER-720699	R CB 1/3W 100J
R512	ER-720699	R CB 1/3W 100J
SW501	ES-364176	SW PUSH SPPH11 2-02-02N [SUBSONIC]
SW502	ES-364176	SW PUSH SPPH11 2-02-02N [HIGH]
VR101	EV-727083T	VR VB101GPV25F-15A 103 [VOLUME]
VR102	EV-725471T	VR ROTARY VB161PV25F-4BM10K [BALANCE]
VR501	EV-725592T	VR ROTARY VB161GPV25F-15C50K [BASS]
VR502	EV-725592T	VR ROTARY VB161GPV25F-15C50K [TREBLE]

7. ASSEMBLY BLOCK

Ref. No.	Part No.	Description
1	ZS-320906	ST BR30X06STL CMT
2	MZ-727067T	LINK POWER
3	MZ-727070T	LINK FUNCTION
4A	*BT-727073T	TRANS POW AM-A335(U) [U] [AM-15]
4B	*BT-720730	TRANS POW TPZ-4067 AM-A305(E) [E,V] [AM-15]
4C	*BT-720729	TRANS POW TPZ-4066 AM-A305(B,S) [B,S] [AM-15]
4D	*BT-727088T	TRANS POW AM-A535(U) [U] [AM-25]
4E	*BT-727087T	TRANS POW AM-A535(E,V) [E,V] [AM-25]
4F	*BT-727086T	TRANS POW AM-A535(B,S) [B,S] [AM-25]
5	ZW-727076T	WASHER SPRING
6	ZS-715479	T-SCREW 3X14
7	EJ-722929T	TERMINAL EARTH
8	ZW-727071T	WASHER GND
9	EJ-720690	PLUG SHORT PIN
10	EJ-720705	TERMINAL BOARD (SP)
11	*ES-349070	SW SELECTOR YKS11-0002 02-4 [U]
12	*EZ-371605	BUSH CORD 2271
13A	*EW-374894	AC CORD 2C VM-0129A,VFF U/T [U]
13B	*EW-336923	AC CORD 2C KP-419C,LTCE-2F EV [E,V]
13C	*EW-727063T	AC CORD BS6500 (B) [B]
13D	*EW-347898	AC CORD 2 CORES VM-0436,LCFL S [S]

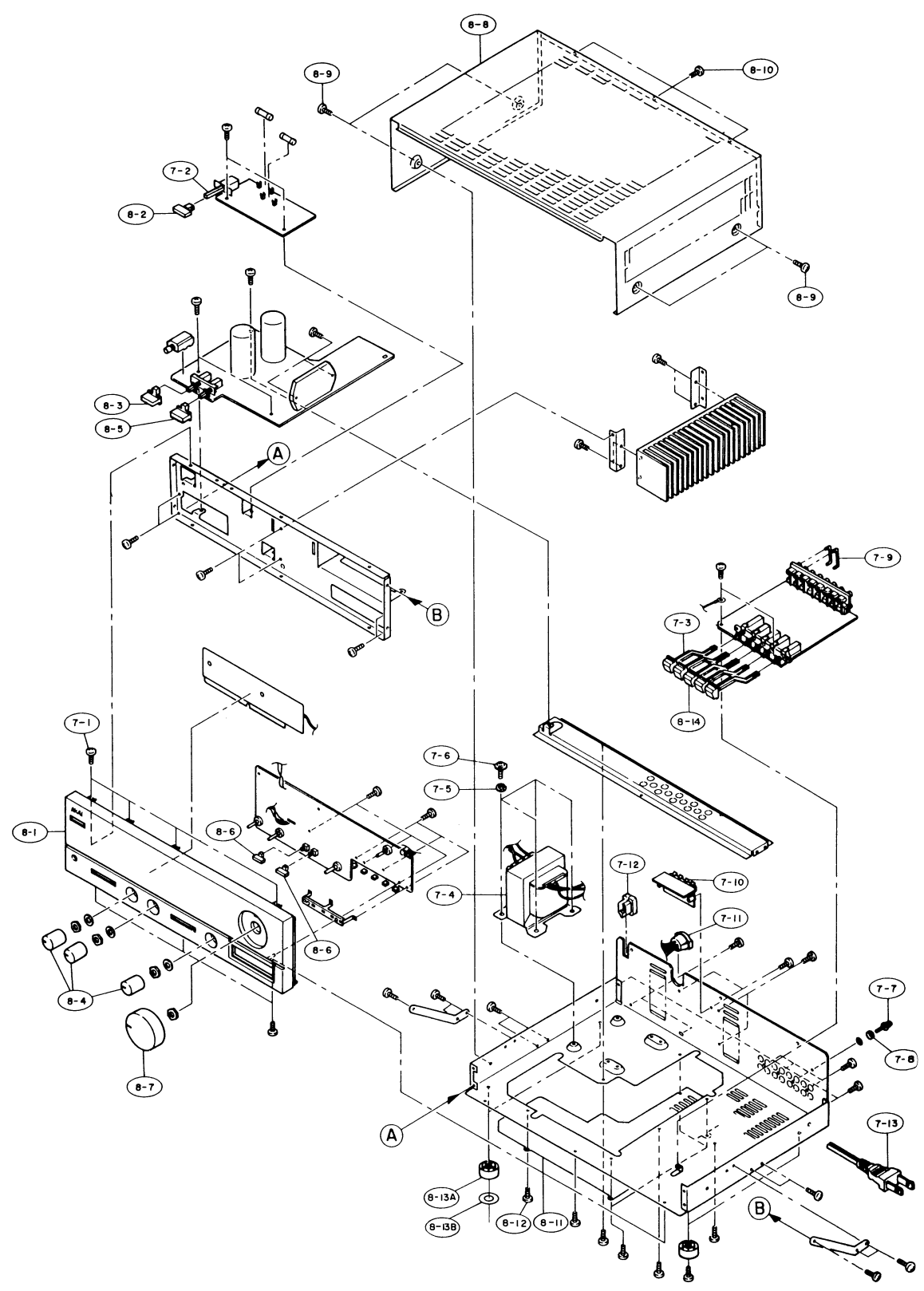
8. FINAL ASSEMBLY BLOCK

Ref. No.	Part No.	Description
1A	BD-729404T	PANEL FRONT BLK AM-15
1B	BD-729397T	PANEL FRONT BLK AM-25
2	SK-720593	KNOB POWER
3	SK-727068T	KNOB SPEAKER
4	SK-725598T	KNOB TONE-B
5	SK-727068T	KNOB SPEAKER
6	SK-727068T	KNOB SPEAKER
7	SK-727080T	KNOB VOLUME
8	SP-727066T	UPPER COVER AM-A335
9	ZS-322580	ST BID40X08STL BNI
10	ZS-725691T	SCREW METAL M3*6
11	SP-727065T	LOWER COVER AM-A335
12	ZS-320906	ST BR30X06STL CMT
13A	SA-729420T	LEG AM-25
13B	SA-729419T	CUSHION LEG
14	SK-727069T	KNOB MODE

NOTE:

Parts will not be supplied if they are not listed in the parts list, even if they appear on the assembling illustrations with reference No.

FINAL ASSEMBLY BLOCK



PARTS LIST

INDEX

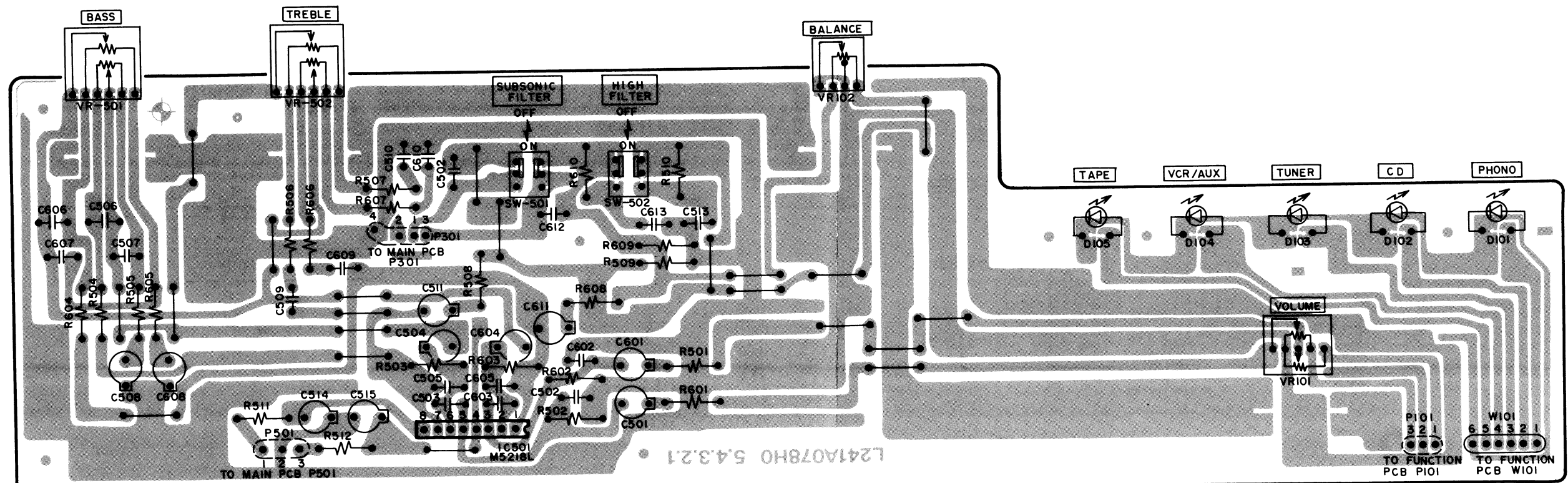
Part No.	Ref. No.	Part No.	Ref. No.	Part No.	Ref. No.	Part No.	Ref. No.
BA-729393T	2-1E	EF-691007	3-F4A	EW-347898	7-13D		
BA-729394T	2-1F	EF-691007	3-F5A	EW-374894	7-13A		
BA-729395T	2-1G	EF-691007	3-F5E	EW-727063T	7-13C		
BA-729396T	2-1H	EF-691007	3-F6A	EZ-371605	7-12		
BA-729398T	2-2	EF-691007	3-F6E	MZ-727067T	7-2		
BA-729399T	2-1A	EI-346071	1-24	MZ-727070T	7-3		
BA-729400T	2-1B	EI-346071	4-IC101	SA-729419T	8-13B		
BA-729401T	2-1C	EI-346071	6-IC501	SA-729420T	8-13A		
BA-729402T	2-1D	EI-358554	1-25	SK-720593	8-2		
BD-729397T	8-1B	EI-358554	3-IC301A	SK-725598T	8-4		
BD-729404T	8-1A	EI-727090T	1-26	SK-727068T	8-3		
BT-720729	1-5	EI-727090T	3-IC301B	SK-727068T	8-5		
BT-720729	7-4C	EJ-720690	7-9	SK-727068T	8-6		
BT-720730	1-6	EJ-720702	3-J331	SK-727069T	8-14		
BT-720730	7-4B	EJ-720704	4-J102	SK-727080T	8-7		
BT-727073T	1-1	EJ-720704	4-J103	SP-727065T	8-11		
BT-727073T	7-4A	EJ-720704	4-J104	SP-727066T	8-8		
BT-727086T	1-2	EJ-720705	7-10	ZS-320906	7-1		
BT-727086T	7-4F	EJ-722929T	7-7	ZS-320906	8-12		
BT-727087T	1-3	EJ-724649T	4-J101	ZS-322580	8-9		
BT-727087T	7-4E	EO-337880	3-L301	ZS-715479	7-6		
BT-727088T	1-4	EO-337880	3-L401	ZS-725691T	8-10		
BT-727088T	7-4D	EO-338409	5-L11	ZW-727071T	7-8		
EC-351909	3-C45B	EO-342936	3-L302	ZW-727076T	7-5		
EC-351909	3-C46B	EO-342936	3-L402				
EC-352643	3-C45A	ER-313517	3-R804				
EC-352643	3-C46A	ER-324337	1-28				
ED-308860	1-12	ER-324337	3-R314				
ED-308860	3-D51	ER-325843	1-34				
ED-308860	3-D61	ER-325843	3-R51B				
ED-327057	1-11	ER-341940	1-32				
ED-327057	3-D802	ER-341940	3-R311				
ED-348990	3-D804	ER-341940	3-R312				
ED-348990	3-D805	ER-341940	3-R411				
ED-350748	1-9	ER-341940	3-R412				
ED-350748	3-D31B	ER-355633	1-33				
ED-353550	1-8	ER-355633	3-R315A				
ED-353550	3-D31A	ER-355633	3-R415A				
ED-357754	1-10	ER-360064	1-30				
ED-357754	3-D803	ER-360064	3-R51A				
ED-727084T	1-7	ER-368966	1-27				
ED-727084T	6-D101	ER-368966	3-R308				
ED-727084T	6-D102	ER-378735J	1-31				
ED-727084T	6-D103	ER-378735J	3-R315B				
ED-727084T	6-D104	ER-378735J	3-R415B				
ED-727084T	6-D105	ER-720699	3-R801				
EF-258344	1-23	ER-720699	4-R129				
EF-258344	5-F1B	ER-720699	4-R130				
EF-358641	1-17	ER-720699	6-R511				
EF-358641	5-F1C	ER-720699	6-R512				
EF-359007	1-13	ER-720717	1-29				
EF-359007	5-F1F	ER-720717	3-R61				
EF-359086	1-16	ES-349070	1-39				
EF-359086	3-F3D	ES-349070	7-11				
EF-359086	3-F4D	ES-364176	1-35				
EF-359225	1-15	ES-364176	6-SW501				
EF-359225	3-F3B	ES-364176	6-SW502				
EF-359225	3-F4B	ES-720817	1-38				
EF-359225	3-F5F	ES-720817	5-SW11				
EF-359225	3-F6F	ES-727077T	1-36				
EF-364518	1-14	ES-727077T	4-SW101				
EF-364518	3-F5C	ES-727078T	1-37				
EF-364518	3-F6C	ES-727078T	3-SW331				
EF-601301	1-19	ET-348302	1-40				
EF-601301	5-F1D	ET-348302	3-TR52				
EF-601301	5-F2B	ET-348302	3-TR62				
EF-602550	1-18	ET-360137	1-43				
EF-602550	5-F1A	ET-360137	3-TR801				
EF-602550	5-F1E	ET-371005	1-41				
EF-602550	5-F2A	ET-371005	3-TR61				
EF-623125	1-20	ET-720724	1-42				
EF-623125	3-F5B	ET-720724	3-TR51				
EF-623125	3-F6B	EV-725471T	1-45				
EF-690996	1-22	EV-725471T	6-VR102				
EF-690996	3-F3C	EV-725592T	1-44				
EF-690996	3-F4C	EV-725592T	6-VR501				
EF-690996	3-F5D	EV-725592T	6-VR502				
EF-690996	3-F6D	EV-727083T	1-46				
EF-691007	1-21	EV-727083T	6-VR101				
EF-691007	3-F3A	EW-336923	7-13B				

AKAI

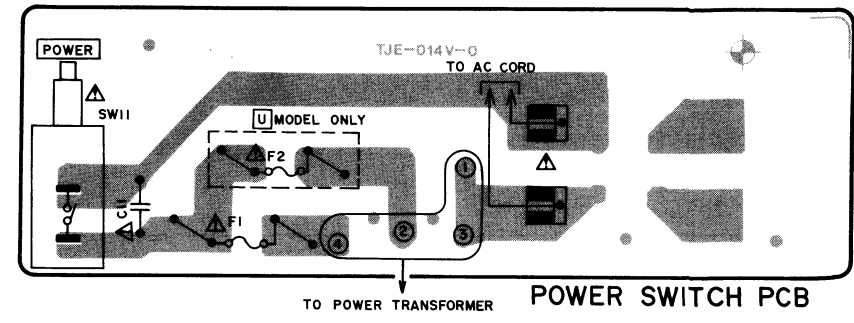
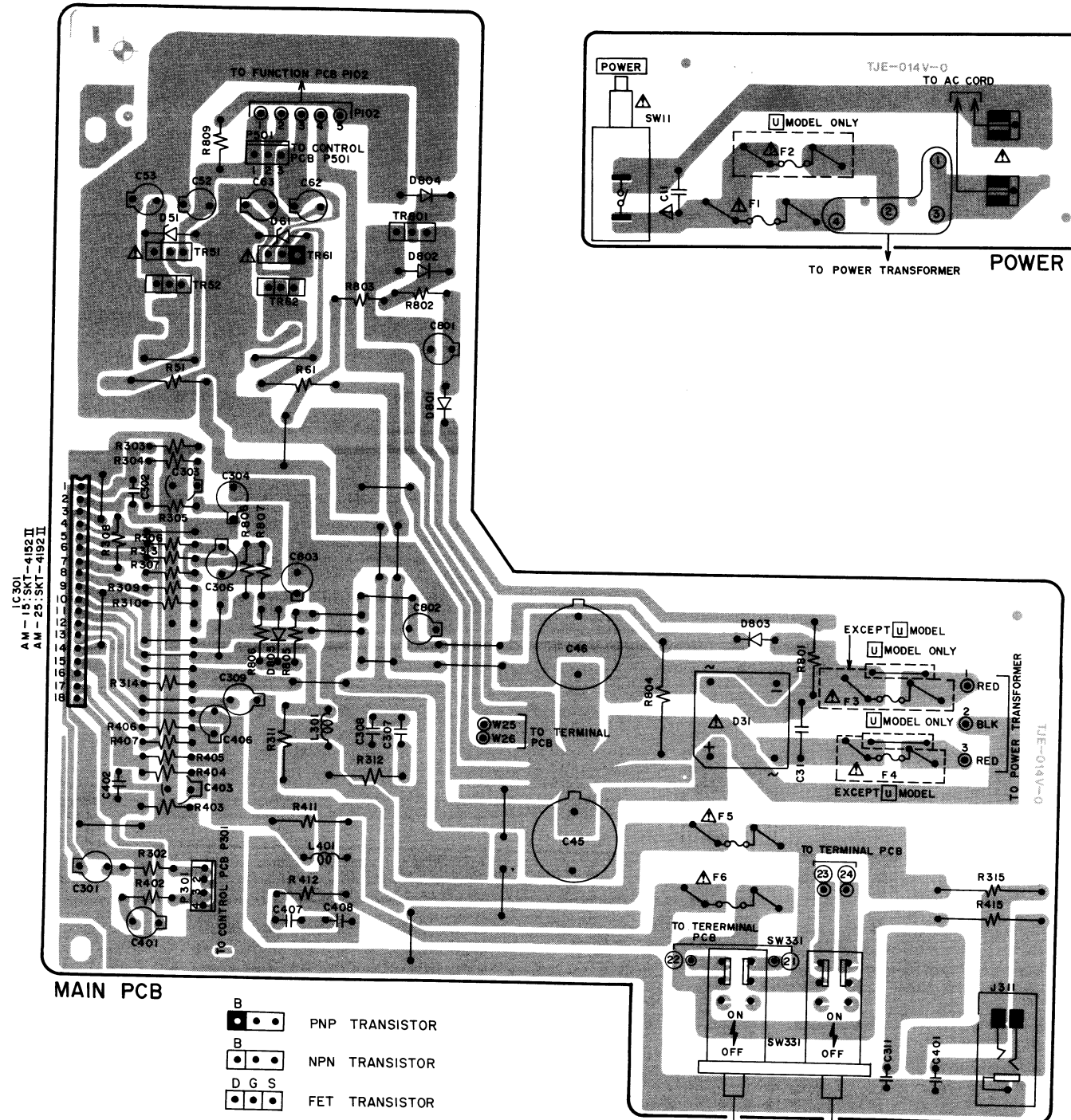
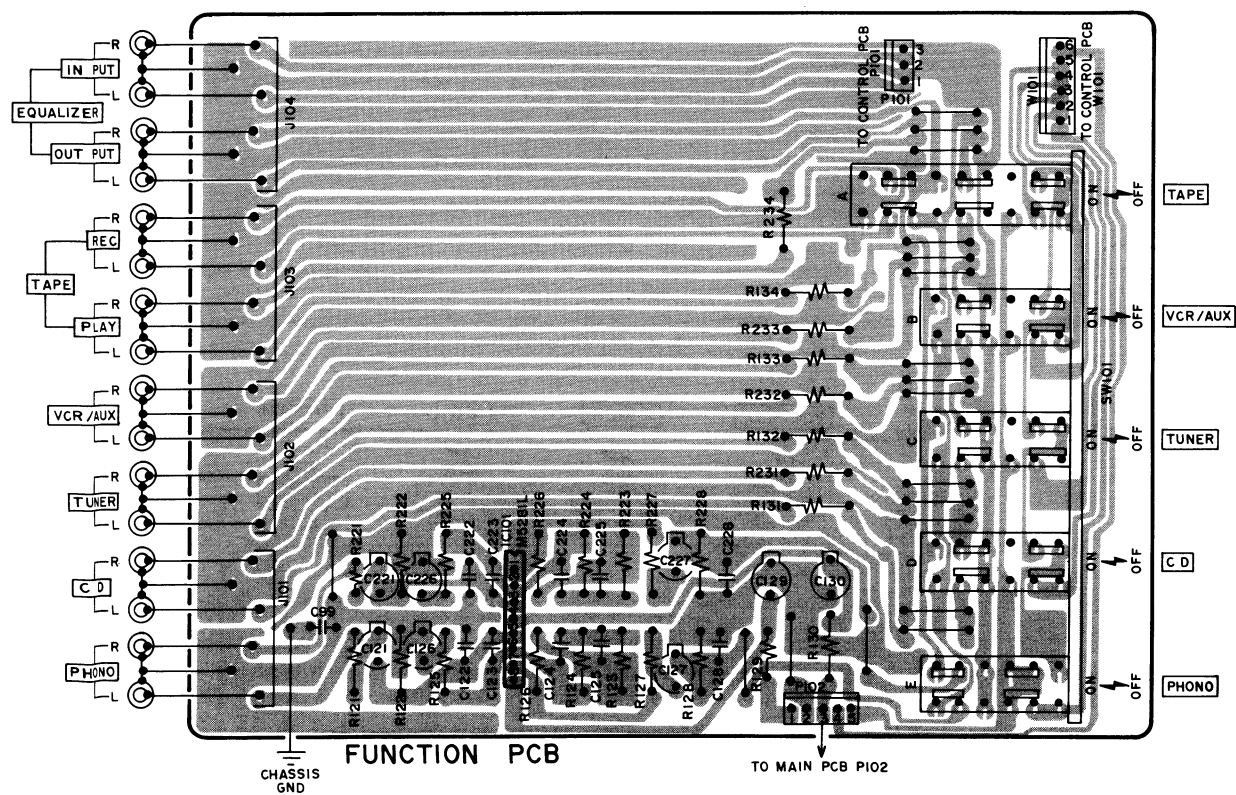
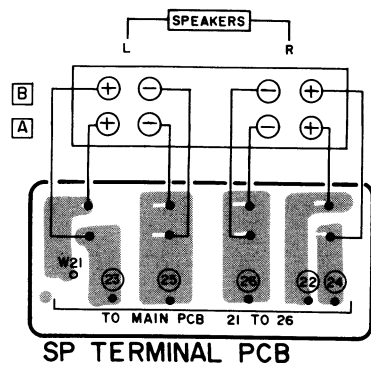
MODEL **AM-15**

MODEL **AM-25**

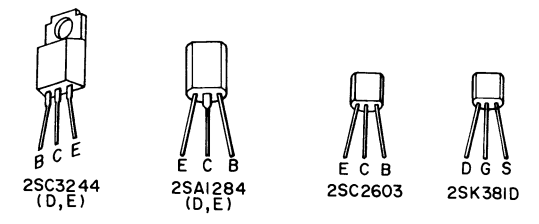
SCHEMATIC DIAGRAMS AND PC BOARDS



CONTROL PCB

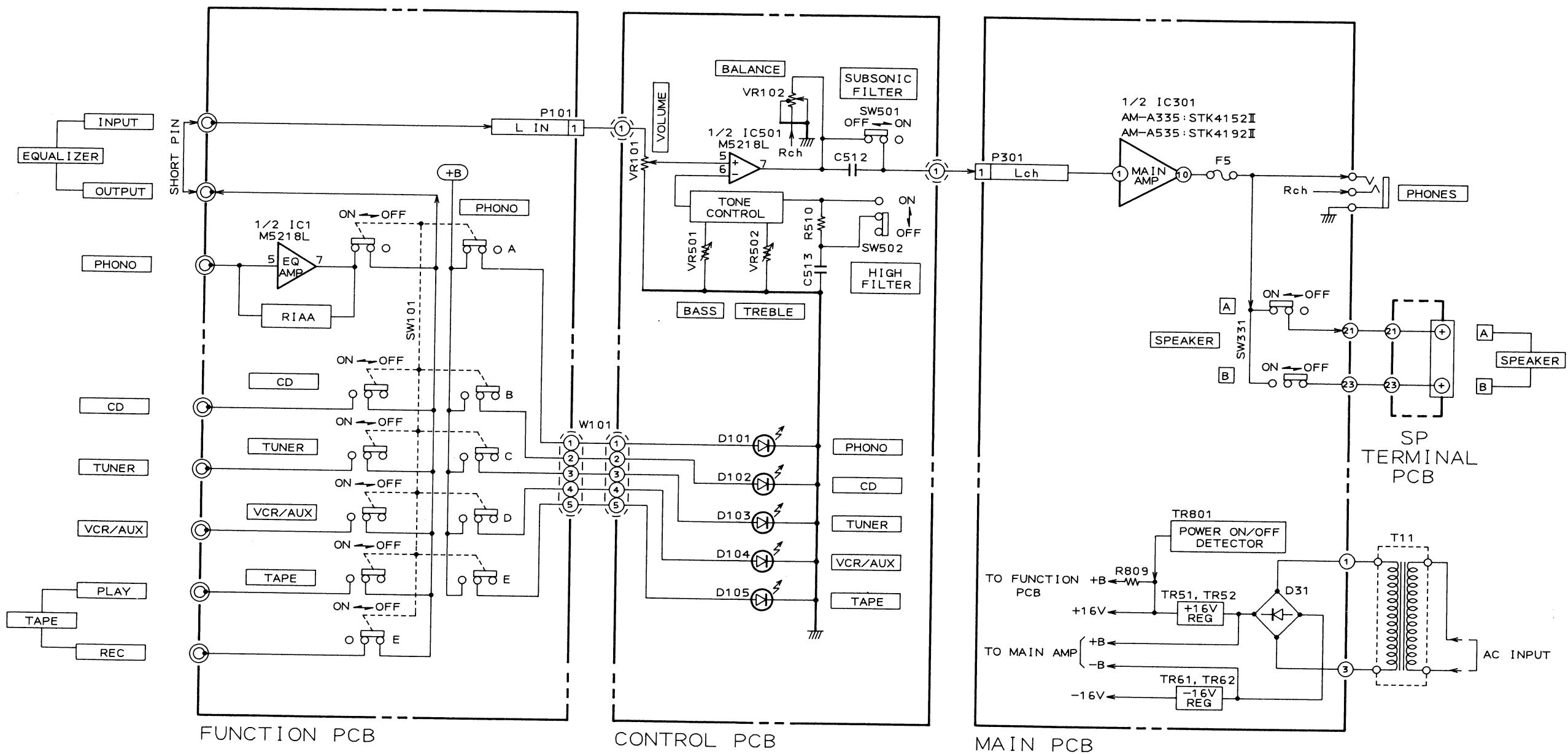


- PNP TRANSISTOR
- NPN TRANSISTOR
- FET TRANSISTOR

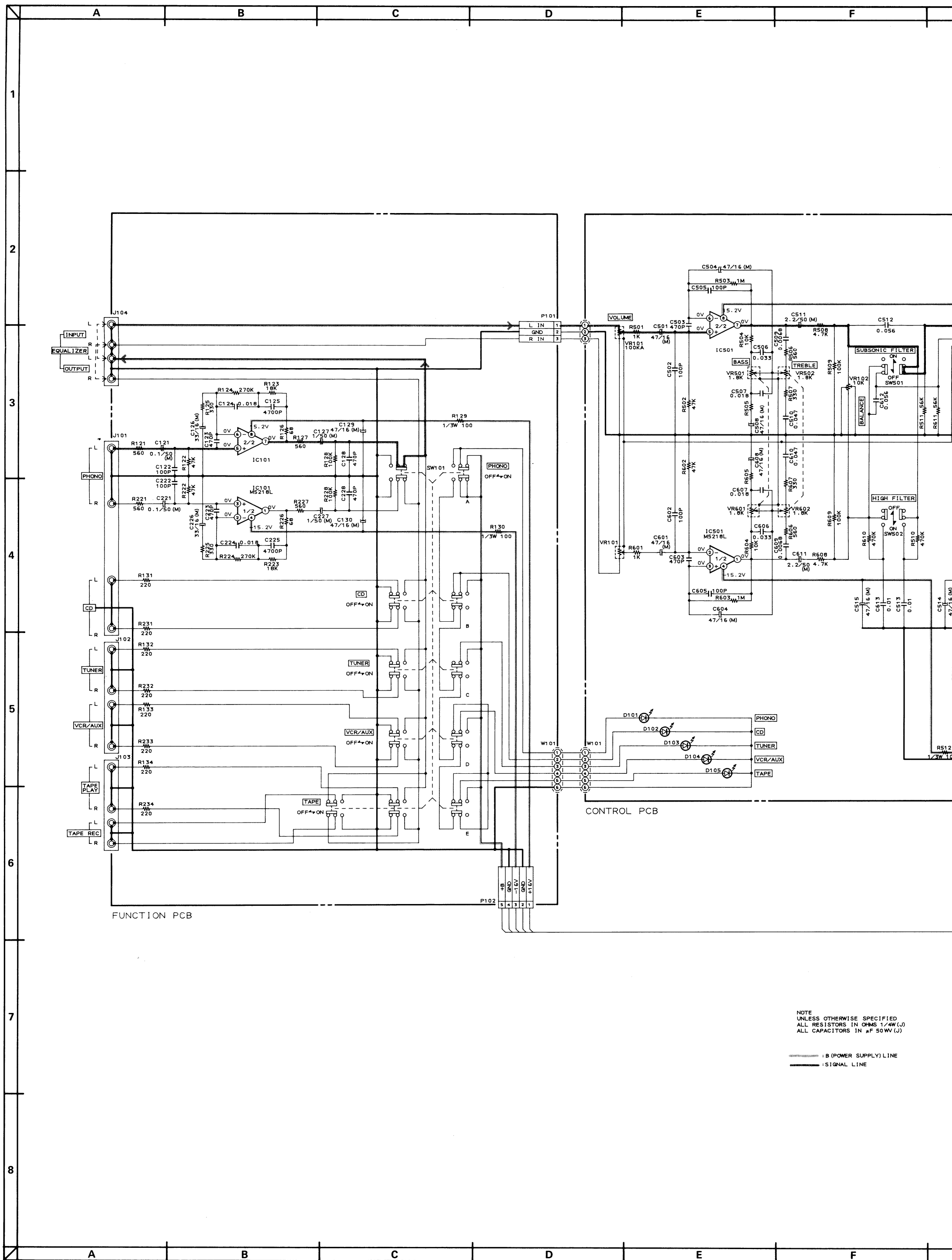


WARNING: Δ INDICATES SAFETY CRITICAL COMPONENTS FOR CONTINUED SAFETY. REPLACE SAFETY CRITICAL COMPONENTS ONLY WITH MANUFACTURER'S RECOMMENDED PARTS.

AVERTISSEMENT: Δ IL INDIQUE LES COMPOSANTS CRITIQUES DE SÉCURITÉ. POUR MAINTENIR LE DEGRÉ DE SÉCURITÉ DE L'APPAREIL, NE REMPLACER QUE DES PIÈCES RECOMMANDÉES PAR LE FABRICANT.

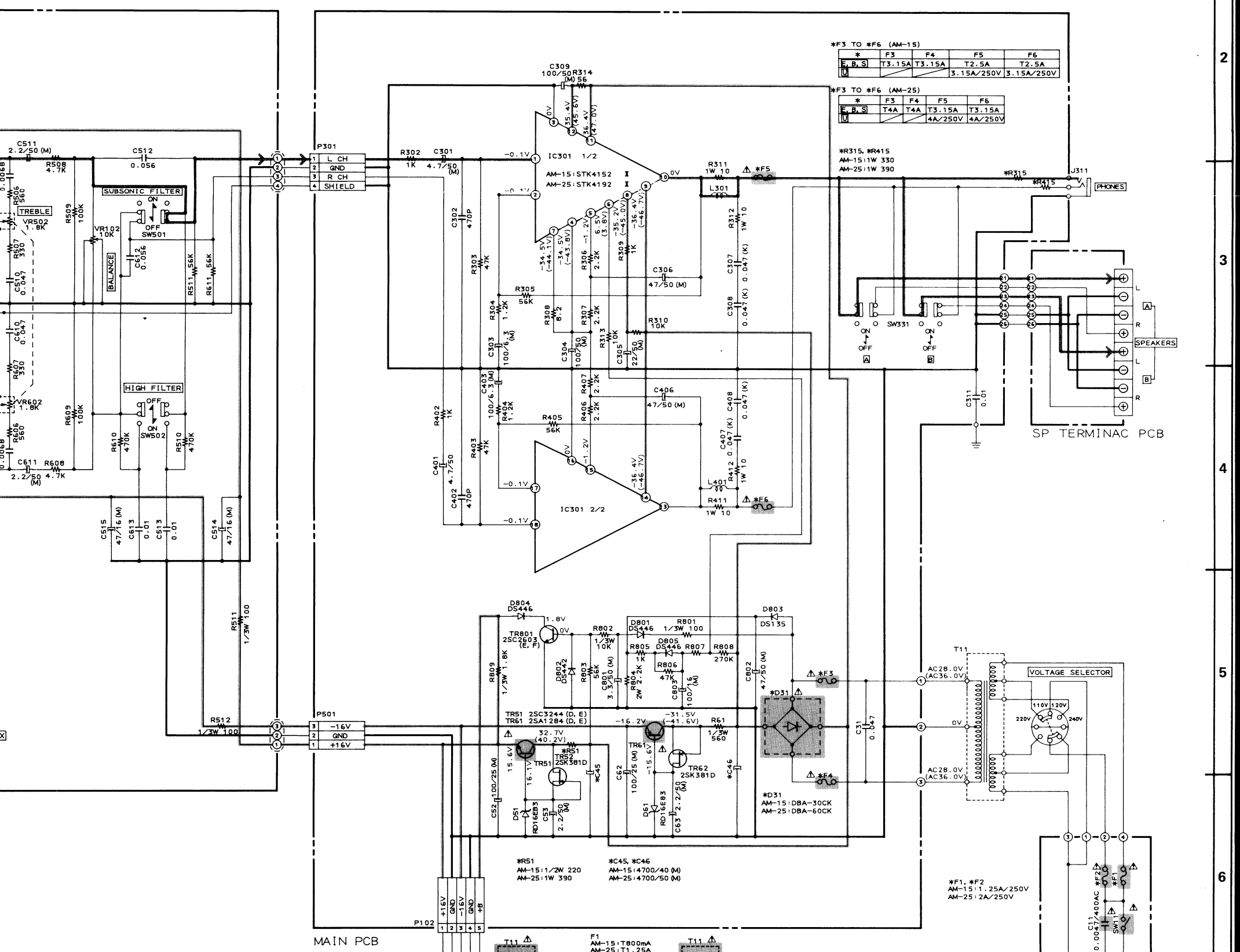


AM-15/25
BLOCK DIAGRAM
AB02051M



NOTE
 UNLESS OTHERWISE SPECIFIED
 ALL RESISTORS IN OHMS 1/4W(J)
 ALL CAPACITORS IN μ F 50W(J)

--- : B (POWER SUPPLY) LINE
 — : SIGNAL LINE



*F3 TO *F6 (AM-15)

*	F3	F4	F5	F6
E, B, S	T3.15A	T3.15A	T2.5A	T2.5A
U	3.15A/250V		3.15A/250V	

*F3 TO *F6 (AM-25)

*	F3	F4	F5	F6
E, B, S	T4A	T4A	T3.15A	T3.15A
U	4A/250V		4A/250V	

NOTE
UNLESS OTHERWISE SPECIFIED
ALL RESISTORS IN OHMS 1/4W (J)
ALL CAPACITORS IN μF 50 WV (J)

— :B (POWER SUPPLY) LINE
— : SIGNAL LINE

WARNING: ⚠ AND ■ INDICATE SAFETY CRITICAL COMPONENTS FOR CONTINUED SAFETY. REPLACE SAFETY CRITICAL COMPONENTS ONLY WITH MANUFACTURER'S RECOMMENDED PARTS

AVERTISSEMENT: ⚠ ET ■, ILS INDIQUENT LES COMPOSANTS CRITIQUES DE SÉCURITÉ. POUR MAINTENIR LE DEGRÉ DE SÉCURITÉ DE L'APPAREIL, NE REMPLACER QUE DES PIÈCES RECOMMANDÉES PAR LE FABRICANT

INDICATED VOLTAGES ARE MEASURED IN PHONO POSITION AND VOLUME IS SET TO MINIMUM.
INDICATED VOLTAGES IN () : FOR AM-A535 ONLY

AM-15/25
SCHEMATIC DIAGRAM
No. AB02002M

ABBREVIATIONS (AMPLIFIER)

ABBREVIATIONS	EXPLANATION
AC	Alternating Current
AMP	AMPIifier
CD	Compact Disc
DC	Direct Current
GND	GrouND
MC	Moving Coil
MM	Moving Magnet
PCB	Printed Circuit Board
REC	RECORD
SW	SWitch
V.DISC	Video DISC
VR	Variable Resistance
VTR	Video Tape Recorder