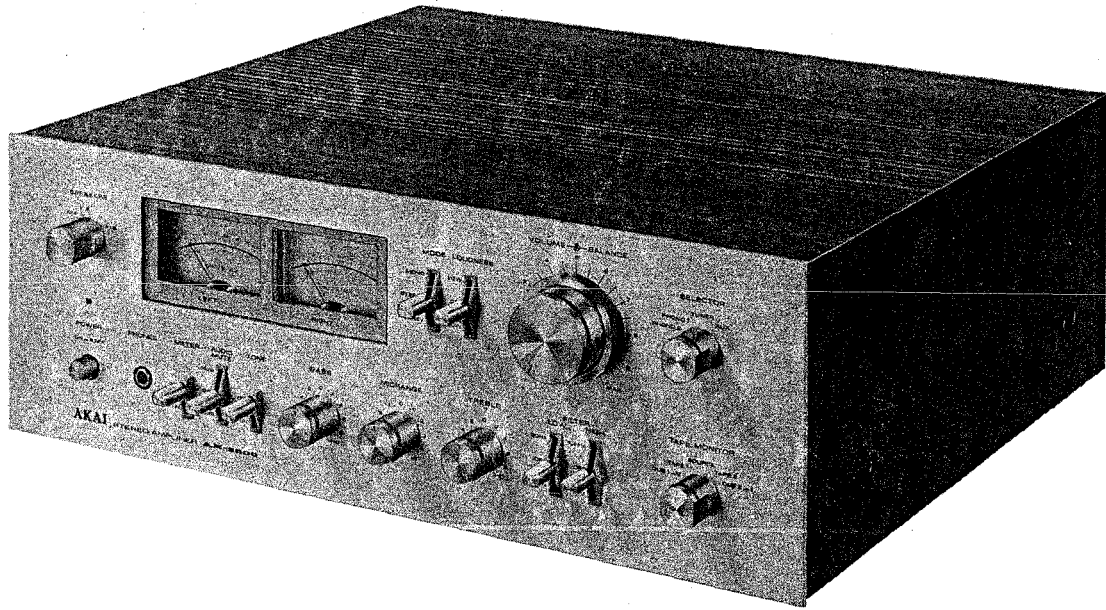


SERVICE MANUAL

PARTS LIST

MODEL AM-2800

AKAI



AKAI STEREO INTEGRATED AMPLIFIER

MODEL **AM-2800**

| | | |
|-----------|-------------------------|----|
| SECTION 1 | SERVICE MANUAL | 1 |
| SECTION 2 | PARTS LIST | 17 |
| SECTION 3 | SCHEMATIC DIAGRAM | 27 |

SECTION 1

SERVICE MANUAL

TABLE OF CONTENTS

| | | |
|------|--|---|
| I. | TECHNICAL DATA | 2 |
| II. | DISMANTLING OF UNIT | 3 |
| III. | CONTROLS | 4 |
| IV. | PRINCIPAL PARTS LOCATION | 5 |
| V. | LEVEL DIAGRAM | 6 |
| VI. | MAIN AMPLIFIER ADJUSTMENT | 7 |
| | 1. IDLING CURRENT ADJUSTMENT | 7 |
| | 2. LEVEL METER ADJUSTMENT | 7 |
| VII. | CLASSIFICATION OF VARIOUS P.C BOARDS | 8 |
| | 1. RELATION OF P.C BOARD TITLE AND IDENTIFICATION NUMBER ... | 8 |
| | 2. COMPOSITION OF VARIOUS P.C BOARDS | 9 |

For basic adjustments, measuring methods, and operating principles, refer to GENERAL OPERATING PRINCIPLES AND ADJUSTMENTS.

I. TECHNICAL DATA

POWER AMPLIFIER SECTION

| | | |
|-----------------------------|-----------|--|
| CONTINUOUS POWER OUTPUT | | 80 watts per channel, minimum RMS, at 8 ohms from 20 to 20,000 Hz with no more than 0.08% total harmonic distortion. |
| POWER BANDWIDTH (IHF) | | 7 Hz to 40 kHz/8 ohms (Total Harmonic Distortion: 0.08%) |
| SIGNAL TO NOISE RATIO (IHF) | PHONO | Better than 75 dB |
| | AUX | Better than 95 dB |
| RESIDUAL NOISE | | Less than 0.5 mV at 8 ohms |
| CHANNEL SEPARATION (IHF) | PHONO | Better than 55 dB at 1,000 Hz |
| DAMPING FACTOR | | More than 60 (1 kHz, 8 ohms) |
| OUTPUT | SPEAKERS | A, B (4 to 16 ohms) / A + B (8 to 16 ohms) |
| | HEADPHONE | 4 to 16 ohms |
| POWER INDICATOR METERS | | (2) 3/100W switchable |

PREAMPLIFIER SECTION

| | | |
|-----------------------------|---------------------------|---|
| INPUT SENSITIVITY/IMPEDANCE | PHONO | Phono 2: 3 mV/33, 47 or 100 k ohms Phono 1: 3 mV/50 k ohms |
| | AUX | 150 mV/100 k ohms |
| | TUNER | 150 mV/100 k ohms |
| | TAPE MONITOR | PIN: 150 mV/100 k ohms DIN: 150 mV/100 k ohms |
| OUTPUT LEVEL/IMPEDANCE | TAPE REC | PIN: 150 mV/100 k ohms DIN: 30 mV/180 k ohms |
| FREQUENCY RESPONSE | | |
| | PHONO (RIAA EQUALIZATION) | 30 Hz to 15 kHz +0.5 dB, -0.5 dB |
| | TUNER, AUX, TAPE MONITOR | 7 Hz to 70 kHz +0 dB, -1 dB |
| TONE CONTROL | BASS | ±9 dB at 100 Hz |
| | MIDRANGE | ±6 dB at 1 kHz |
| | TREBLE | ±9 dB at 10 kHz |
| LOUDNESS CONTROL | | +10 dB at 100 Hz, +6 dB at 10 kHz (Volume control set at -30 dB position) |
| FILTER | HIGH | -5 dB at 10 kHz (7 kHz position), -3 dB at 10 kHz (10 kHz position) |
| | LOW | -2 dB at 50 Hz (30 Hz position), -6 dB at 50 Hz (60 Hz position) |

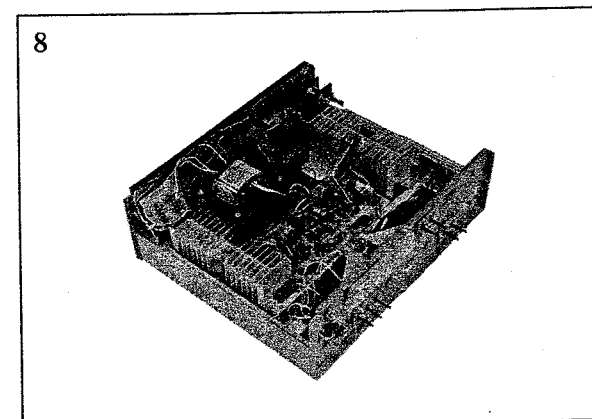
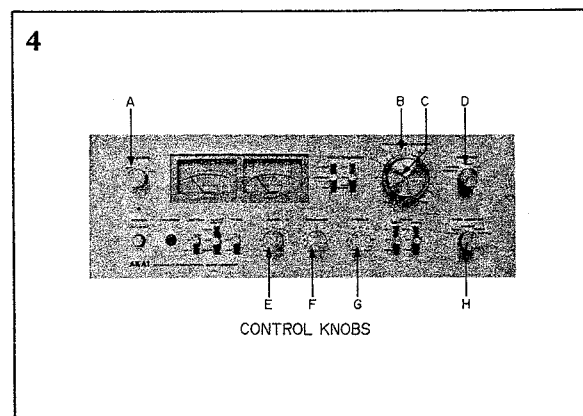
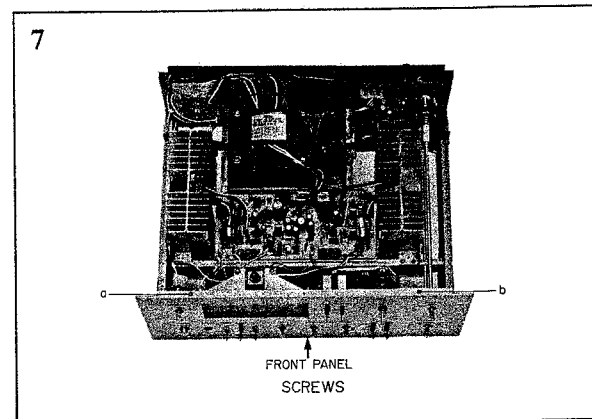
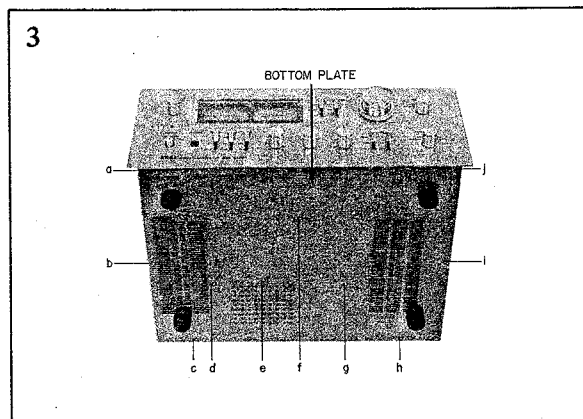
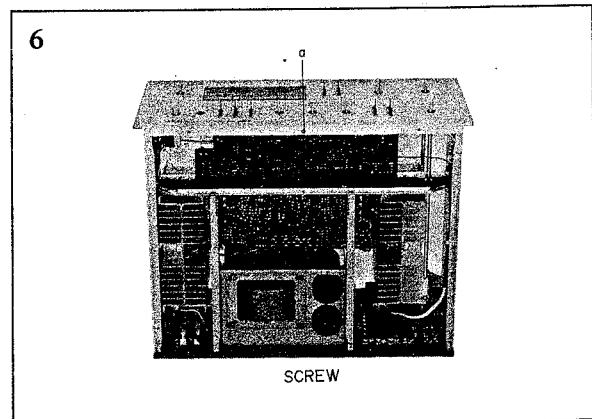
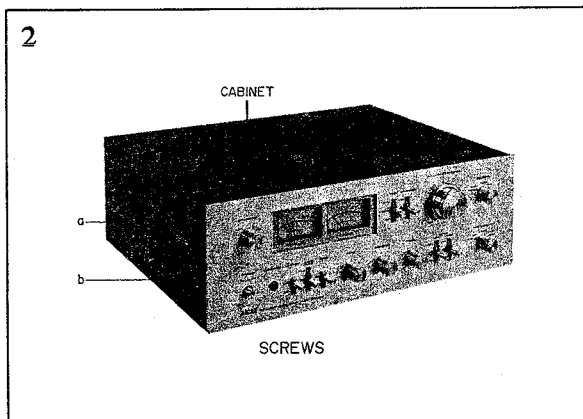
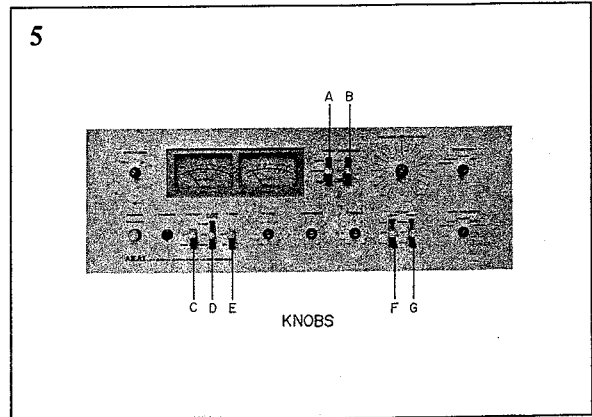
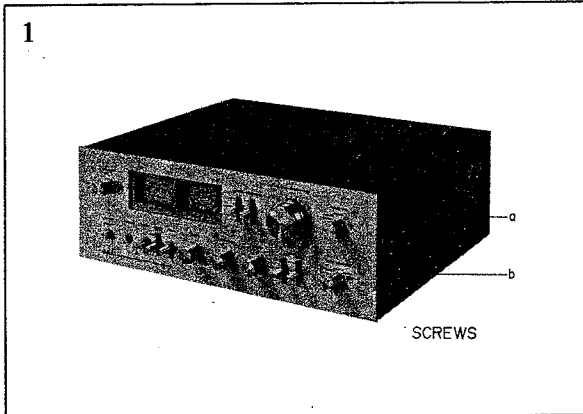
MISCELLANEOUS

| | |
|--------------------|---|
| SEMI CONDUCTORS | Transistors: 37, Diodes: 17 |
| POWER REQUIREMENTS | CSA, UL and LA models: 120V, 60 Hz CEE models: 220V, 50 Hz Other models: 110/220/240V Switchable 50/60 Hz |
| DIMENSIONS | 440(W) x 165(H) x 396(D) mm, (17.3 x 6.5 x 16.6 inches) |
| WEIGHT | 12.9 kg (28.9 lbs) |

* For improvement purposes, specifications and design are subject to change without notice.

II. DISMANTLING OF UNIT

In case of trouble, etc. necessitating disassembly, please disassemble in the order shown in photographs. Reassemble in reverse order.



III. CONTROLS

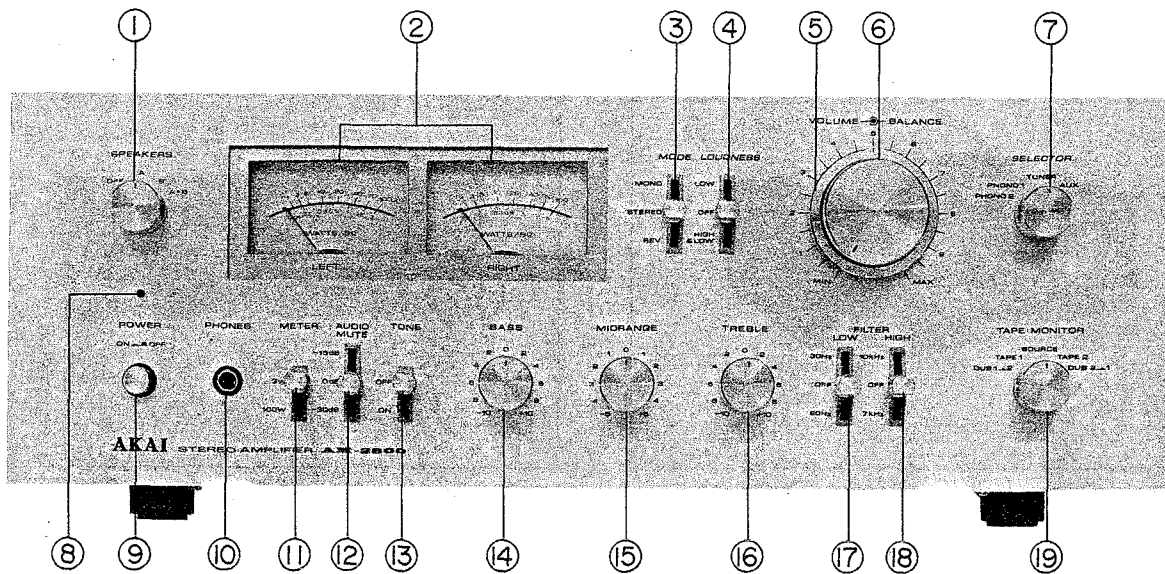


Fig. 1 Controls

- | | |
|---|---------------------------|
| 1. SPEAKER SYSTEM SELECTOR | 11. METER SWITCH |
| 2. OUTPUT POWER LEVEL METERS (LEFT & RIGHT) | 12. AUDIO MUTE SWITCH |
| 3. MODE SWITCH | 13. TONE SWITCH |
| 4. LOUDNESS SWITCH | 14. BASS TONE CONTROL |
| 5. STEREO BALANCE CONTROL | 15. MIDRANGE TONE CONTROL |
| 6. VOLUME CONTROL | 16. TREBLE TONE CONTROL |
| 7. INPUT SELECTOR | 17. LOW FILTER SWITCH |
| 8. POWER INDICATOR LAMP | 18. HIGH FILTER SWITCH |
| 9. POWER SWITCH | 19. TAPE MONITOR SWITCH |
| 10. HEADPHONE JACK | |

IV. PRINCIPAL PARTS LOCATION

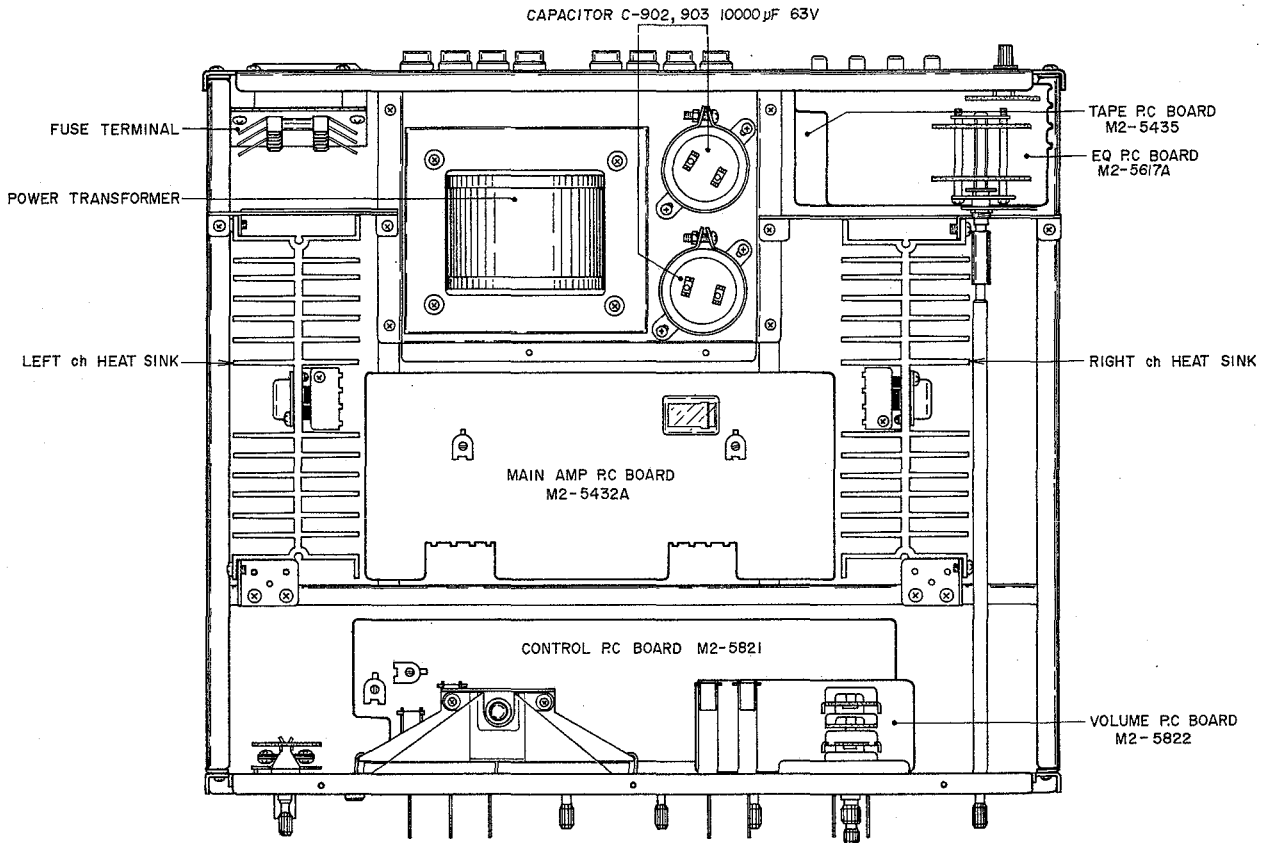


Fig. 2 Top View

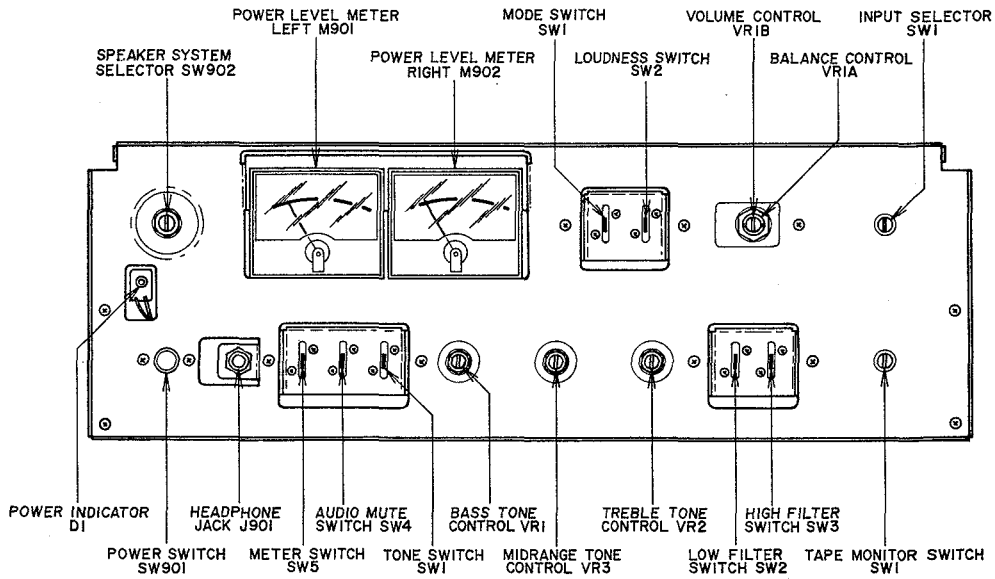


Fig. 3 Front View

V. LEVEL DIAGRAM

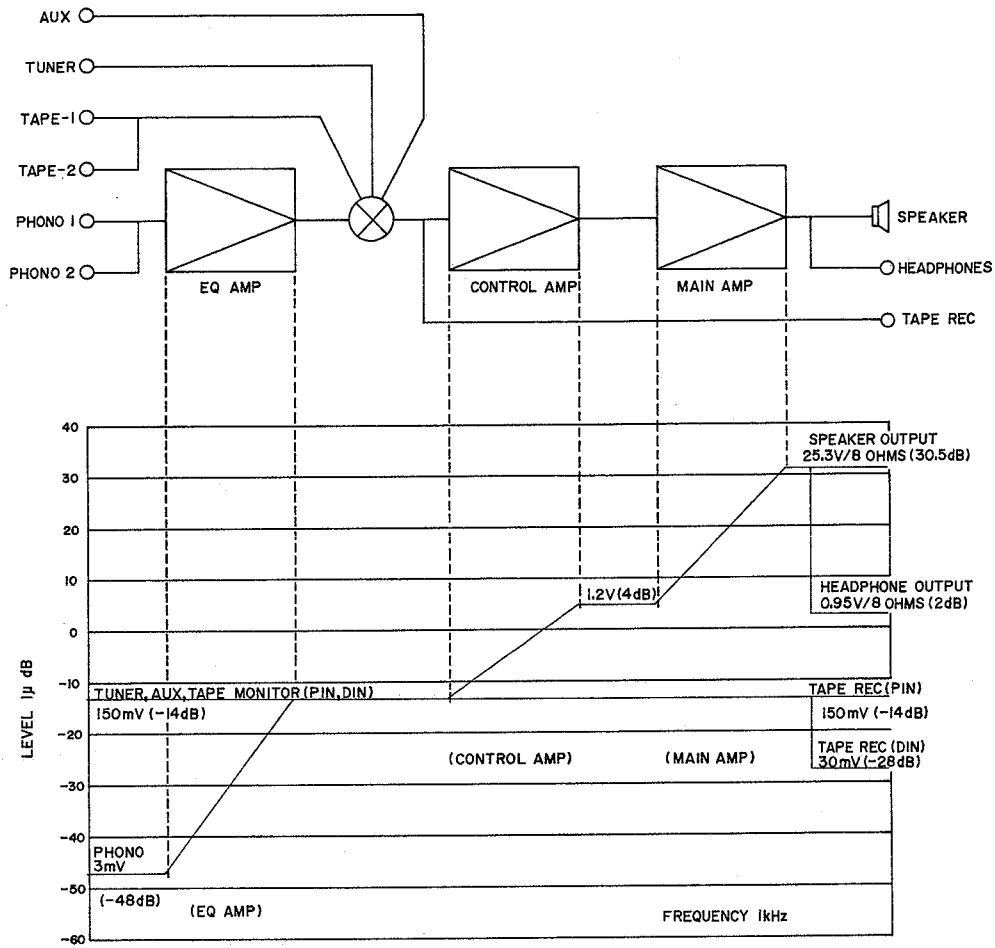


Fig. 4 Level Diagram of Model AM-2800

VI. MAIN AMPLIFIER ADJUSTMENT

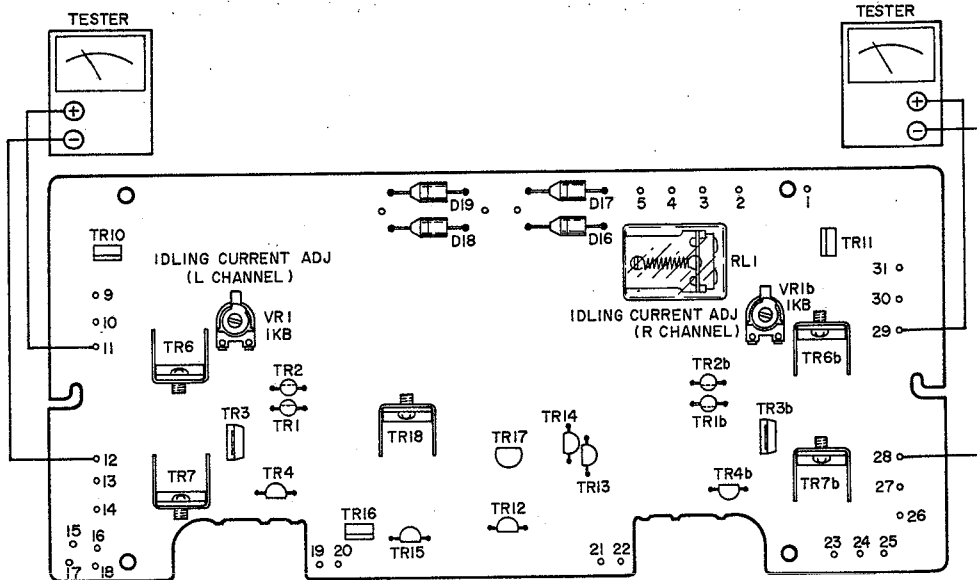


Fig. 5 Main Amp. P.C Board M2-5432A

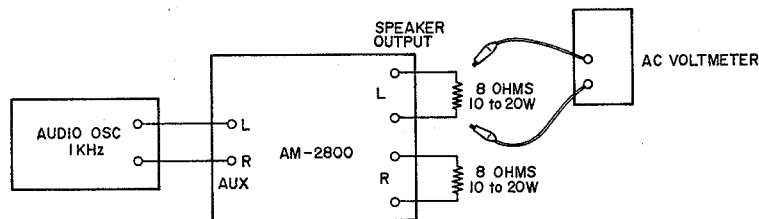


Fig. 6 Level Meter Adjustment

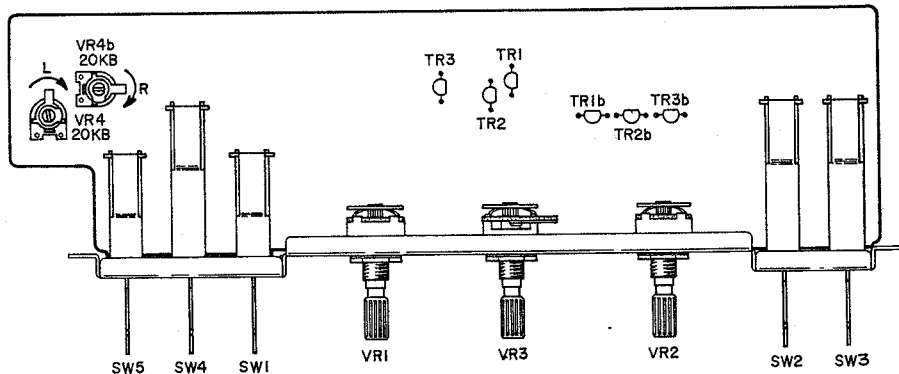


Fig. 7 Tone Control P.C Board M2-5821

1. IDLING CURRENT ADJUSTMENT

Connect a tester to Power Amp P.C Board test point between Pin-11 and Pin-12, and between Pin-29 and Pin-28.

Adjust semifixed resistors VR-1a, VR-1b until the voltage is 30 mV.

2. LEVEL METER ADJUSTMENT

- 1) Connect instruments as shown in Fig. 6.
- 2) Turn Volume Control knob on the front panel until the AC Voltmeter indicates 4.9 volts (3 watts).
- 3) Adjust VR-4, VR-4b so that level meter indicates 3 watts. (Refer to Fig. 7)

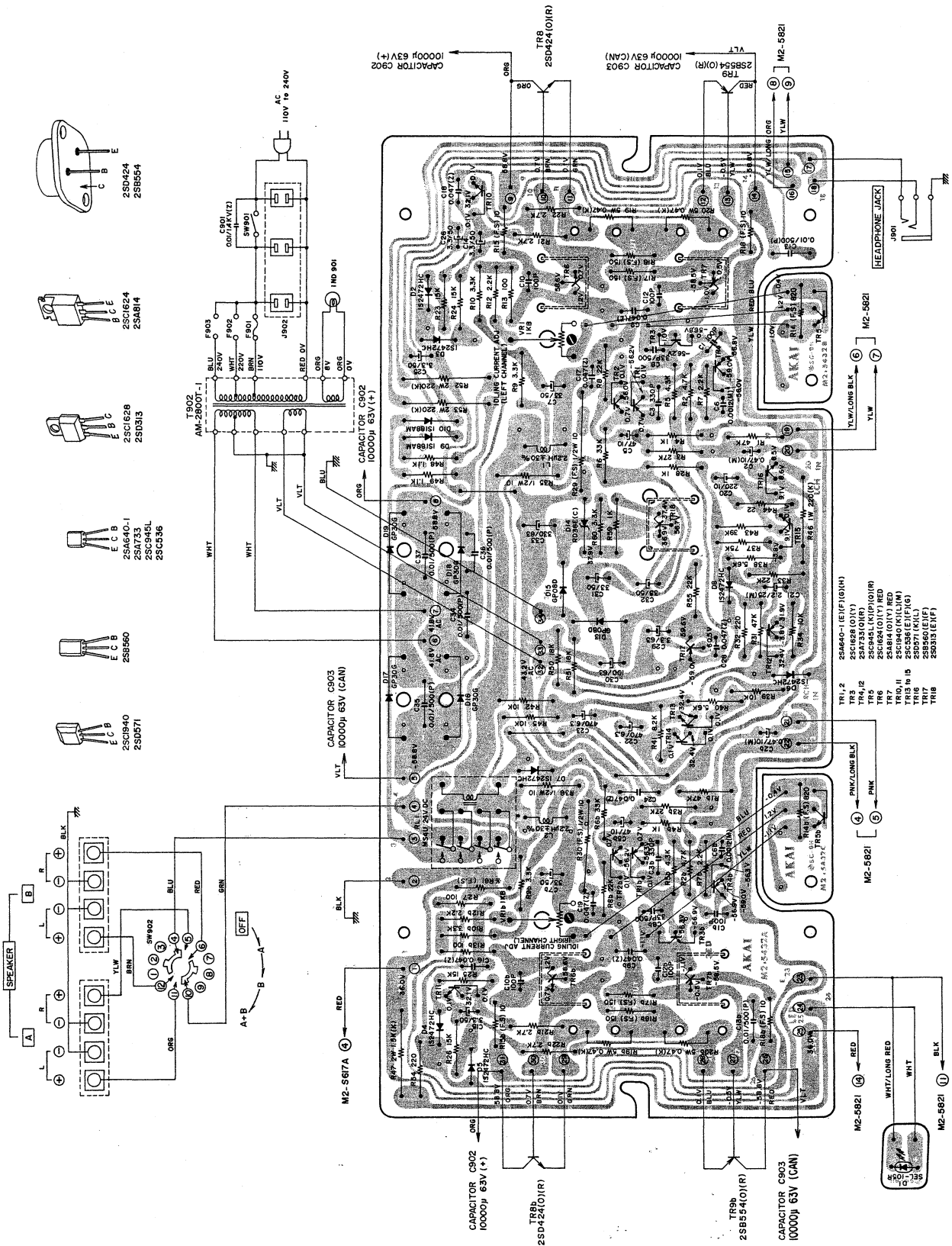
VII. CLASSIFICATION OF VARIOUS P.C BOARDS

1. RELATION OF P.C BOARD TITLE AND IDENTIFICATION NUMBER

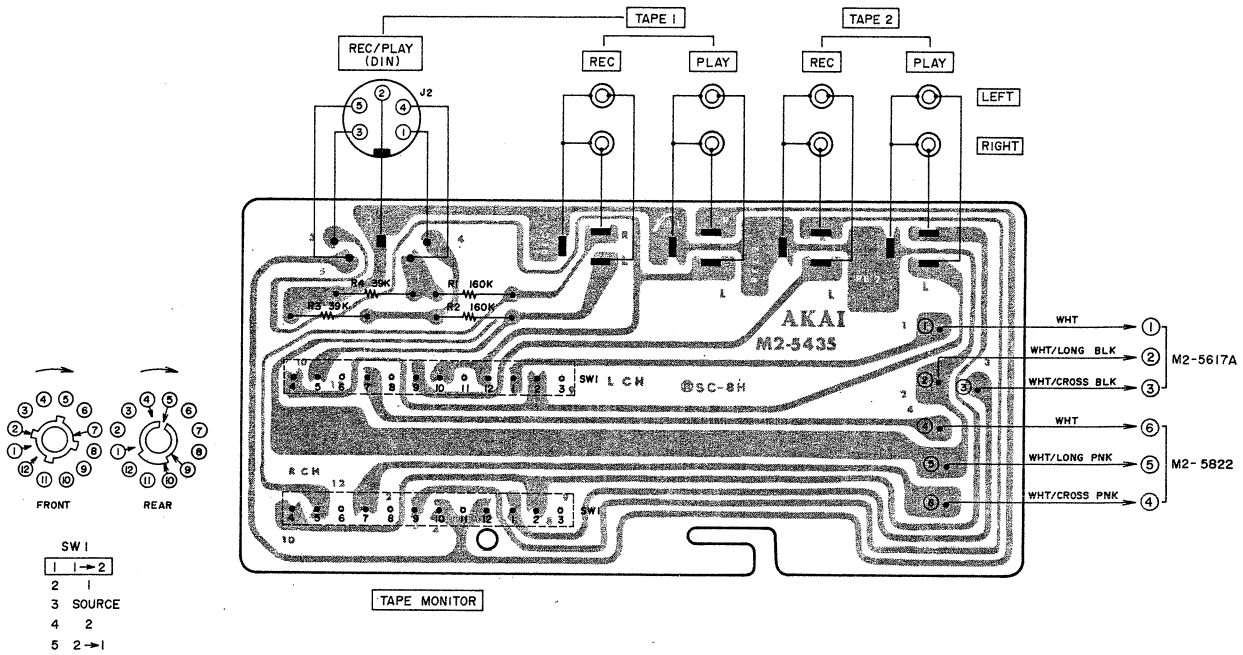
| P.C Board Title | P.C Board Number |
|--------------------------|------------------|
| Main Amplifier P.C Board | M2-5432A |
| Tape P.C Board | M2-5435 |
| Equalizer P.C Board | M2-5617A |
| Tone Control P.C Board | M2-5821 |
| Volume P.C Board | M2-5822 |

2. COMPOSITION OF VARIOUS P.C BOARDS

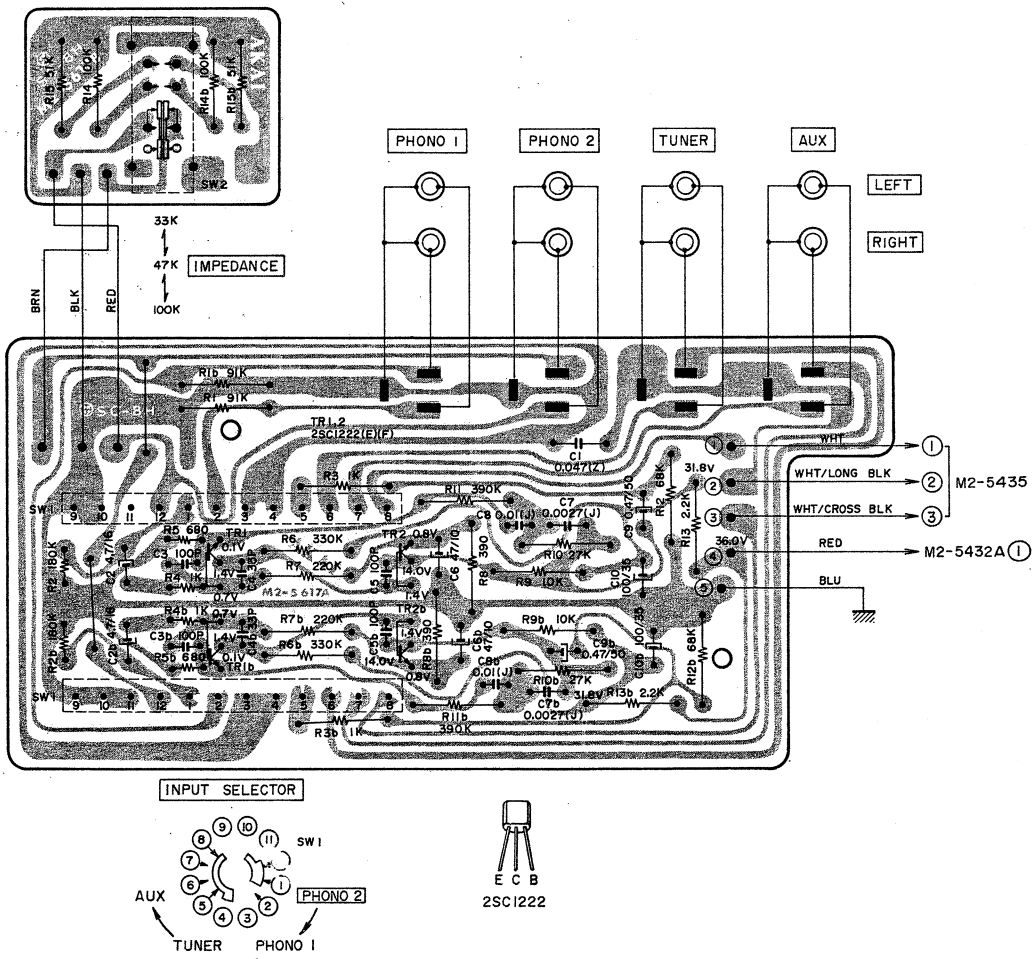
1) MAIN AMPLIFIER P.C BOARD M2-5432A



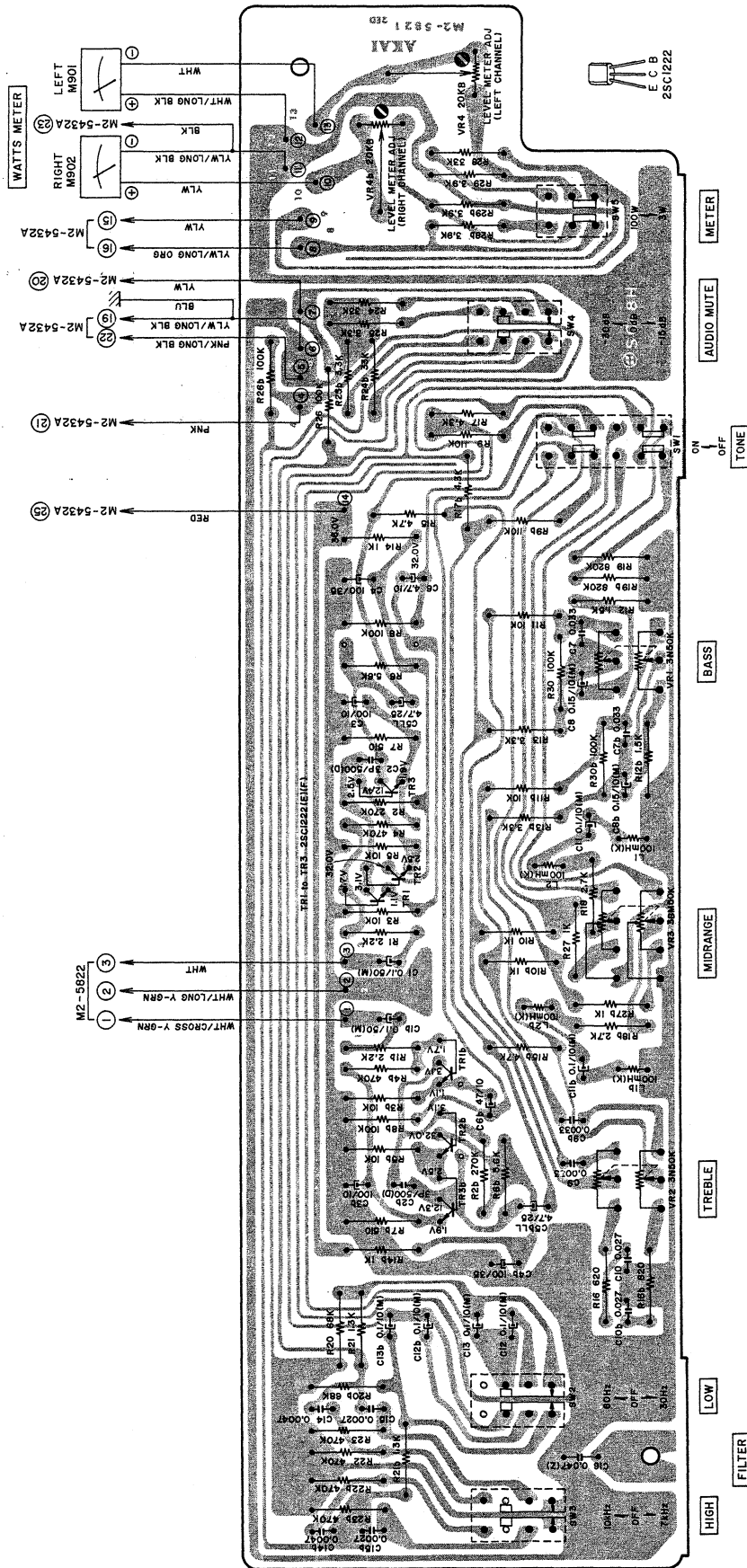
2) TAPE P.C BOARD M2-5435



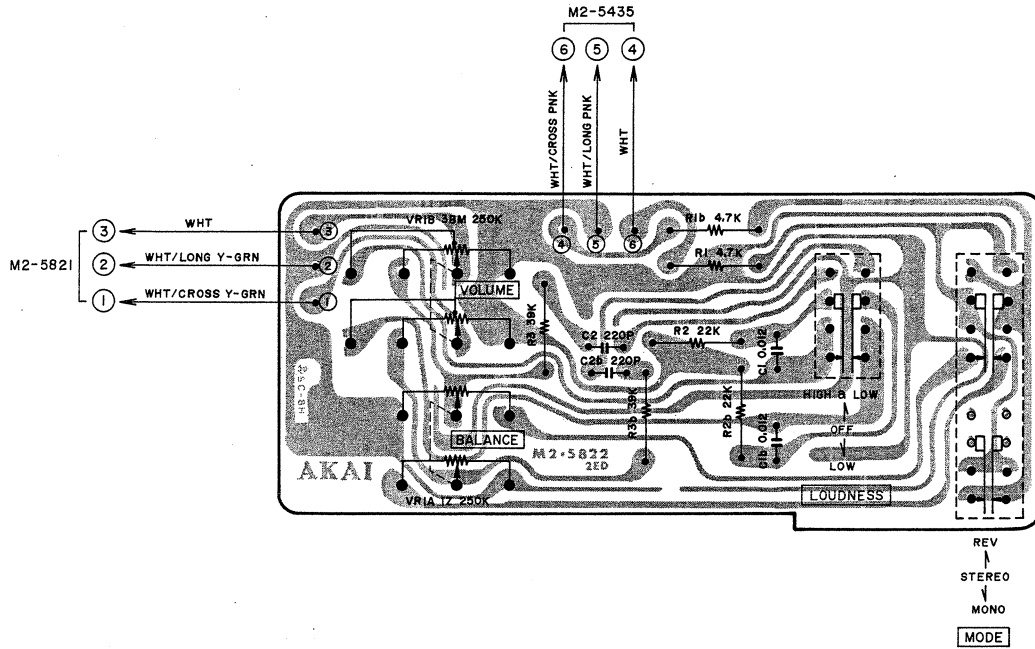
3) EQUALIZER P.C BOARD M2-5617A



4) TONE CONTROL P.C BOARD M2-5821



5) VOLUME P.C BOARD M2-5822



MEMO

MEMO

MEMO

MEMO

SECTION 2

PARTS LIST

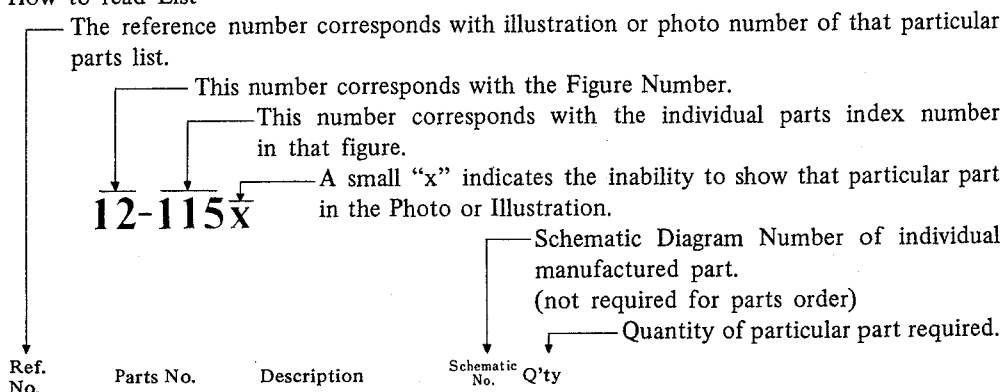
TABLE OF CONTENTS

| | |
|--|----|
| 1. RECOMMENDED SPARE PARTS LIST | 19 |
| 2. MAIN AMP P.C BOARD (M2-5432A) BLOCK | 20 |
| 3. TEMP. COMPENSATION P.C BOARD (M2-5432B) (M2-5432C) BLOCK | 20 |
| 4. TAPE P.C BOARD (M2-5435) BLOCK | 20 |
| 5. EQ. P.C BOARD (M2-5617A) BLOCK | 20 |
| 6. EQ. P.C BOARD (M2-5617B) BLOCK | 20 |
| 7. TONE CONTROL P.C BOARD (M2-5821) BLOCK | 21 |
| 8. VOL. P.C BOARD (M2-5822) BLOCK | 21 |
| 9. ASSEMBLY BLOCK | 22 |
| 10. FINAL ASSEMBLY BLOCK | 24 |
| 11. LIST OF INTERCHANGEABLE SEMICONDUCTORS | 25 |
| INDEX | 26 |

Resistor and Capacitor which is not listed in this parts list, please refer to COMMON LIST FOR SERVICE PARTS.

HOW TO USE THIS PARTS LIST

1. This parts list is compiled by various individual blocks based on assembly process.
2. When ordering parts, please describe parts number, serial number, and model number in detail.
3. How to read List



4. The symbol numbers shown on the P.C. Board list can be matched with the Composite Views of Components of the Schematic Diagram or Service Manual.
5. Please utilize separate "Common List for Service Parts" for Resistor Parts orders.
6. The shape of the parts and parts name, etc. can be confirmed by comparing them with the parts shown on the Electrical Parts Table of P.C. Board.
7. Both the kind of part and installation position can be determined by the Parts Number. To determine where a parts number is listed, utilize Parts Index at end of Parts List.
It is necessary first of all to find the Parts Number. This can be accomplished by using the Reference Number listed at right of parts number in the Parts Index. (meaning of ref. no. outlined in Item 3 above).
8. Utilize separate "Price List for Parts" to determine unit price. The most simple method of finding parts Price is to utilize the reference number.

CAUTION:

1. When placing an order for parts, be sure to list the parts no., model no., and description. There are instances in which if any of this information is omitted, parts cannot be shipped or the wrong parts will be delivered.
2. Please be careful not to make a mistake in the parts no. If the parts no. is in error, a part different from the one ordered may be delivered.
3. Because parts number and parts unit supply in the Preliminary Service Manual (Basic Parts List) may be partially changed, please use this parts list for all future reference.

1. RECOMMENDED SPARE PARTS LIST

Because, if the parts listed below are on hand, almost any repair can be accomplished, we suggest that you stock these Recommended Spare Parts Items.

| Parts No. | Description | Note |
|-----------|---|---|
| BA273082 | Tape P.C Board Comp. M2-5435 | |
| BA236024 | Volume P.C Board Comp. M2-5822 | |
| BA273058 | Temp. Compensation P.C Board B Comp. M2-5432B | |
| BA273068 | Temp. Compensation P.C Board C Comp. M2-5432C | |
| BA273453 | Tone Control P.C Board Comp. M2-5821 | |
| BA273205 | Equalizer P.C Board Comp. M2-5617A | |
| BA273240 | Equalizer P.C Board Comp. M2-5617B | |
| BA273137 | Main Amplifier P.C Board Comp. M2-5432A | (U/T) |
| BA273148 | Main Amplifier P.C Board Comp. M2-5432A | (CEE, BEAB) |
| BA273161 | Main Amplifier P.C Board Comp. M2-5432A | (CSA, AAL) |
| BC242190 | Cabinet M2-5820 | |
| BD235978 | Front Panel Block Comp. M2-5817 | |
| BT245654 | Power Transformer AM-2800T-1 | (U/T) |
| BT245665 | Power Transformer AM-2800T-3 | (CEE, BEAB) |
| BT245643 | Power Transformer AM-2800T-2 | (CSA, AAL) |
| ED245430 | Silicon Diode GP8D | |
| ED245428 | Silicon Diode GP30G | |
| ED240377 | Zener Diode RD36E (C) | |
| EJ624486 | Power Transistor Socket | J902, 903 |
| EL245060 | Lamp (Cord Type) 8V 300 mA (600mmx2) | IND901 |
| EM245744 | Level Meter D34A52R | M901, M902 |
| EP245283 | Relay MY4A 24VDC | RL1 |
| ES224436 | Push Switch JP-1 | (U/T) SW901 |
| ES239218 | Push Switch JP01 (TV-4) | (CSA) SW901 |
| ES242346 | Push Switch JP17 | (CEE) SW901 |
| ES240524 | Rotary Switch SR321N 1-2-4 30KC | SW901, SW902 |
| ES245733 | Rotary Switch SR26N 1-2-5 20KC | SW1 (Tape P.C Board) |
| ES246183 | Lever Switch SX153-3 | SW1 (Vol. P.C Board) |
| ES243674 | Lever Switch SX153-1 | SW2 (Vol. P.C Board) SW2, 4 (Tone P.C Board) |
| ES246240 | Lever Switch SX15-3 | SW1 (Tone P.C Board) |
| ES214650 | Lever Switch SX15-1 | SW5 (Tone P.C Board) |
| ES246194 | Rotary Switch SR26N 2-4-4 20KC | SW1 (EQ P.C Board) |
| ES246227 | Slide Switch SSC323E | SW2 (EQ P.C Board) |
| ET245777 | Power Transistor 2SD424 (O) (R) | |
| ET245755 | Power Transistor 2SB554 (O) (R) | |
| EV246148 | Double Volume 1Z250kx2 3BM250kx2 | VR1 (Vol. P.C Board) |
| EV242267 | Single axial 2 throw Vol. V16L4G3N 50kx2 | VR1, VR2 (Tone P.C Board) |
| EV246238 | Single axial 2 throw Vol. V16L4G3N 3BM 50kx2 | VR3 (Tone P.C Board) |
| SK224886 | Power Knob M2-5021 | |
| SK646817 | Single Knob AA-5250 | |
| SK240063 | Selector Knob M2-5428 | |
| SK233730 | Lever Knob M2-5614 | |
| SK241863 | Volume Knob 2 M2-5612 | |
| SK241874 | Balance Knob M2-5613 | |
| SZ645243 | Circular Foot A CA-6014 | |

2. MAIN AMP P.C BOARD (M2-5432A) BLOCK

| Symbol No. | Parts No. | Description | Schematic No. | Q'ty |
|------------|-----------|--|---------------|------|
| 2-1 | BA273137 | Main Amp P.C Board Comp. (M2-5432A) | | 1 |
| 2-2 | BA273148 | Main Amp P.C Board Comp. (M2-5432A) (CEE) | | 1 |
| 2-3 | BA273161 | Main Amp P.C Board Comp. (M2-5432A) (CSA) | | 1 |
| 2-TR1,2 | ET204221 | Transistor 2SA640-1 (E) (F) (G) (H) | 45-1-168 | 4 |
| 2-TR3 | ET623035 | Transistor 2SC1628 (O) (Y) | 45-1-200 | 2 |
| 2-TR4 | ET557965 | Transistor 2SA733 (Q) (R) | 45-1-124 | 2 |
| 2-TR6 | ET240412 | Transistor 2SC1624 (O) (U) RED | 45-1-246 | 1 |
| 2-TR7 | ET240423 | Transistor 2SA814 (O) (Y) RED | 45-1-247 | 1 |
| 2-TR10,11 | ET240636 | Transistor 2SC1940 (K) (L) (M) | 45-1-241 | 2 |
| 2-TR12 | ET557965 | Transistor 2SA733 (Q) (R) | 45-1-124 | 1 |
| 2-TR13to15 | ET520841 | Transistor 2SC711 (E) (F) (G) | 45-1-67 | 3 |
| 2-TR16 | ET666404 | Transistor 2SD571 (K) (L) | 45-1-218 | 1 |
| 2-TR17 | ET219868 | Transistor 2SB560 (E) (F) | 45-1-232 | 1 |
| 2-TR18 | ET452531 | Transistor 2SD313 (E) (F) | 45-1-105 | 1 |
| 2-D2to8 | ED214457 | Silicon Diode 1S2472 | 45-3-41 | 7 |
| 2-D9,10 | ED562386 | Germanium Diode 1S188AM | 45-3-24 | 2 |
| 2-D13 | ED245430 | Silicon Diode GP08D | 45-2-68 | 1 |
| 2-D14 | ED240377 | Zener Diode RD36E (C) | 45-6-72 | 1 |
| 2-D15 | ED245430 | Silicon Diode GP08D | 45-2-68 | 1 |
| 2-D16to19 | ED245428 | Silicon Diode GP30G | 45-2-69 | 4 |
| 2-VR1,2 | EV484863 | Semi-fixed/Vol. V10K8-4-2 1 kΩ | 36-10-250 | 2 |
| 2-L1,2 | EO551711 | Phase Compensation Coil 2.2μH | 23-1-188 | 2 |
| 2-RL1 | EP245283 | Relay MY4A 24VDC | 47-1-29 | 1 |
| 2-R19,20 | ER622978 | Metal Plate/R. MPC71F1 5W 0.47ohm (K) | 35-16-48 | 4 |
| 2-R46 | ER389687 | Metal Oxide Film/R. 1W 220 ohms (K) | 35-15-10 | 1 |
| 2-R47 | ER245531 | Metal Oxide Film/R. 2W 1.5k (K) | 35-15-8 | 1 |
| 2-R52,53 | ER246363 | Metal Oxide Film/R. 2W 220 ohms (K) | 35-15-18 | 2 |
| 2-C2 | EC538244 | Solid Aluminum/C. 0.47μF (M) 10WV (Vert. Type) | 24-19-2 | 2 |
| 2-C21 | EC662128 | Solid Aluminum/C. 2.2μF (M) 25WV (Vert. Type) | 24-19-2 | 1 |

3. TEMP. COMPENSATION P.C BOARD (M2-5432B) (M2-5432C) BLOCK

| Symbol No. | Parts No. | Description | Schematic No. | Q'ty |
|------------|-----------|------------------------------------|---------------|------|
| 3-1 | EA241795 | Temp. Compensation P.C Board B | M2-5432B | 1 |
| 3-2 | EA245698 | Temp. Compensation P.C Board C | M2-5432C | 1 |
| 3-TR5 | ET635218 | Transistor 2SC945L (K) (P) (Q) (R) | 45-1-85 | 1 |

4. TAPE P.C BOARD (M2-5435) BLOCK

| Symbol No. | Parts No. | Description | Schematic No. | Q'ty |
|------------|-----------|--------------------------------|---------------|------|
| 4-1 | BA273082 | Tape P.C Board Comp. (M2-5435) | | 1 |
| 4-SW1 | ES245733 | Rotary SW. SR26N 1-2-5 20 KC | 25-6-98 | 1 |
| 4-J1 | EJ246216 | 8P Pin Jack | 31-1-188 | 1 |
| 4-J2 | EJ698051 | Din Jack | 31-1-158 | 1 |

5. EQ. P.C BOARD (M2-5617A) BLOCK

| Symbol No. | Parts No. | Description | Schematic No. | Q'ty |
|------------|-----------|------------------------------------|---------------|------|
| 5-1 | BA273205 | EQ. P.C Board Comp. (A) (M2-5617A) | | 1 |
| 5-TR1,2 | ET459810 | Transistor 2SC1222 (E) (F) | 45-1-110 | 4 |
| 5-SW1 | ES246194 | Rotary SW. SR26N 2-4-4 20KC | 25-6-97 | 1 |
| 5-J1 | EJ246216 | 8P Pin Jack | 31-1-188 | 1 |

6. EQ. P.C BOARD (M2-5617B) BLOCK

| Symbol No. | Parts No. | Description | Schematic No. | Q'ty |
|------------|-----------|------------------------------------|---------------|------|
| 6-1 | BA273240 | EQ. P.C Board Comp. (B) (M2-5617B) | | 1 |
| 6-SW2 | ES246227 | Slide SW. SSC323E | 25-3-119 | 1 |

When ordering parts, Please describe Parts Number, Description, and Model Number in detail.

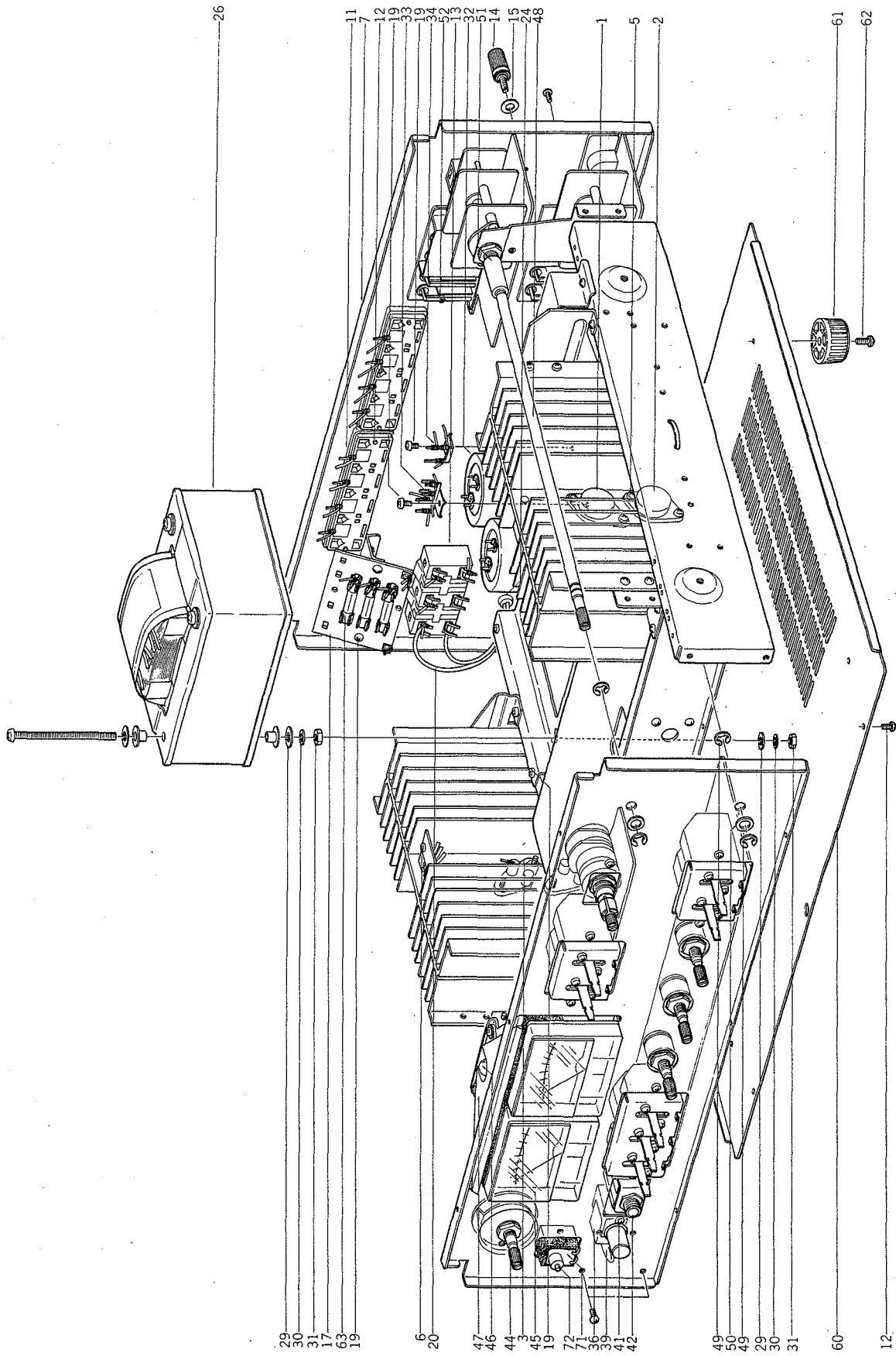
7. TONE CONTROL P.C BOARD (M2-5821) BLOCK

| Symbol No. | Parts No. | Description | Schematic No. | Q'ty |
|------------|-----------|---|---------------|------|
| 7-1 | BA273453 | Tone Control P.C Board Comp. (M2-5821) | | 1 |
| 7-TR1to3 | ET459810 | Transistor 2SC1222 (E) (F) | 45-1-110 | 6 |
| 7-L1,2 | EO656954 | Inductor 100MH (J) | 23-1-245 | 4 |
| 7-VR1,2 | EV242267 | Single axial 2 throw Vol. V16L4G3N 50kx2 | 36-22-19 | 2 |
| 7-VR3 | EV246238 | Single axial 2 throw Vol. V16L4G3N | | |
| 7-VR4 | EV560136 | Semi-fixed/Vol. 3BM50kx2 | 36-22-20 | 1 |
| 7-SW1 | ES246240 | Lever SW. SX15-3 V10K8-4-2 20 kB | 36-10-250 | 2 |
| 7-SW2to4 | ES243674 | Lever SW. SX153-1 | 25-12-34 | 1 |
| 7-SW5 | ES214650 | Lever SW. SX15-1 | 25-12-31 | 3 |
| 7-C8 | EC246328 | Solid Aluminum/C. 0.15μF(M) 10WV (Vert. Type) | 25-12-38 | 1 |
| 7-C11to13 | EC219813 | Solid Aluminum/C. 0.1μF(M) 10WV (Vert. Type) | 24-19-2 | 2 |
| 7-2 | ZS417216 | Screw, pane head 3x4 | 24-19-2 | 6 |
| | | | | 10 |

8. VOL. P.C BOARD (M2-5822) BLOCK

| Symbol No. | Parts No. | Description | Schematic No. | Q'ty |
|------------|-----------|-----------------------------------|---------------|------|
| 8-1 | BA236024 | Vol. P.C Board Comp. (M2-5822) | | 1 |
| 8-VR1 | EV246148 | Double/Vol. 1Z250kx2 3BM250kx2 | 36-3-72 | 1 |
| 8-SW1 | ES246183 | Lever SW. SX153-3 | 25-12-32 | 1 |
| 8-SW2 | ES243674 | Lever SW. SX153-1 | | 1 |
| 8-2 | ZS417216 | Screw, pan head 3x4 | 25-12-31 | 4 |

9. ILLUSTRATION OF ASSEMBLY BLOCK

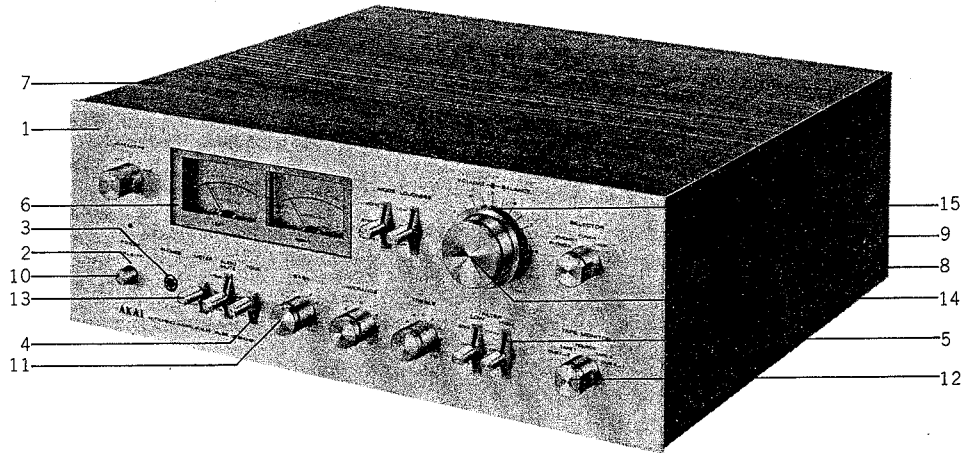


9) ASSEMBLY BLOCK

| Ref. No. | Parts No. | Description | Schematic No. | Q'ty | Ref. No. | Parts No. | Description | Schematic No. | Q'ty |
|-------------------------|-----------|--|---------------|------|----------|-----------|--|---------------|------|
| HEAT-SINK BLOCK | | | | | | | | | |
| 9-1 | ET245777 | Transistor 2SD424 (O) (R) | 45-1-243 | 2 | 9-56x | ZW330434 | Adjust. Washer (U) D4x13x0.5t | | 2 |
| 9-2 | ET245755 | Transistor 2SB554 (O) (R) | 45-1-242 | 2 | 9-57x | ZW330445 | Adjust. Washer (U) D4x13x0.8t | | 2 |
| 9-3 | EJ624486 | Power Tr. Socket | 31-1-97 | 4 | 9-58x | ZW330456 | Adjust. Washer (U) D4x13x1t | | 2 |
| 9-4x | EZ624734 | Mylar Sheet AC-201 | 45-16-18 | 4 | 9-59x | ZW439547 | Adjust. Washer (U) D4x13x1.5t | | 2 |
| 9-5 | ZS417148 | Screw, binding head 3x15 | | 8 | 9-60 | SP242201 | Bottom Plate | M2-5823 | 1 |
| 9-6 | ZS447840 | Tapping Screw #2 3x8 (BR) | | 24 | 9-61 | SZ645243 | Circular Foot A CA | CA-6014 | 4 |
| REAR PANEL BLOCK | | | | | | | | | |
| 9-7 | SP242177 | Rear Panel 1 | M2-5815 | 1 | 9-62 | ZS565942 | Tapping Screw #2 4x8 (Pan) | | 4 |
| 9-8x | SP240502 | Rear Panel 3 (CEE) | M2-5816 | 1 | 9-63 | EF563657 | Fuse 3A 250V | 39-1-50 | 1 |
| 9-9x | SP243347 | Rear Panel 2 (CSA) | M2-5815 | 1 | 9-64x | EF601942 | Fuse (SEMKO T Type) 630MAT | 39-1-53 | 2 |
| 9-10x | SP240513 | Rear Panel 4 (BEAB) | M2-5816 | 1 | 9-65x | EF242605 | Fuse (SEMKO T Type) 6.3AT (CEE, BEAB) | 39-1-53 | 1 |
| 9-11 | EJ240581 | 4P Push Terminal | 32-1-72 | 2 | 9-66x | EF277424 | Fuse ST-4 0.8A | 39-1-28 | 2 |
| 9-12 | ZS447805 | Tapping Screw #2 3x12 (BR) | | 4 | 9-67x | EF268053 | Fuse (Little Type) 6A 250V | 39-1-58 | 1 |
| 9-13 | EJ240535 | 3-throw AC Outlet | 31-1-173 | 1 | 9-68x | ZW273892 | Toothed Lock Washer (BEAB) | | 1 |
| 9-14 | SK652397 | Knob 0512-2 | 34-1-4 | 1 | 9-69x | ZS417150 | Screw, pan head 4x6 (BEAB) | | 1 |
| 9-15 | ZW651082 | Washer (SPC) D3.2x10x1t | | 1 | 9-70x | ZW413188 | Nut M4, #1 (BEAB) | | 1 |
| 9-16x | ZS608477 | Screw, pan head 3x4 | | 2 | 9-71 | EA241986 | LED P.C Board | M2-5617C | 1 |
| 9-17 | EJ223514 | 3P Fuse Holder (Large) A (Lugging Type) | 40-1-97 | 1 | 9-72 | ED656357 | LED SEL-105R | 45-15-11 | 1 |
| 9-18x | EJ246870 | Fuse Holder AM-8S (CEE, BEAB) | 40-1-138 | 1 | | | | | |
| 9-19 | ZS325495 | Tapping Screw #2 3x6 (BR) | | 38 | | | | | |
| 9-20 | EW540123 | AC Cord (CUL) 2.5M | 26-3-20 | 1 | | | | | |
| 9-21x | EW516600 | AC Cord (CEE) VM-0065 | 26-3-28 | 1 | | | | | |
| 9-22x | EW516475 | AC Cord (CSA) 2.5M | 26-3-20 | 1 | | | | | |
| 9-23x | EW604585 | AC Cord (BSI) (BEAB) | 26-3-37 | 1 | | | | | |
| 9-24 | EZ631945 | Strain Relief SR-4N-4 | 2-7-49 | 1 | | | | | |
| 9-25x | EZ246936 | Strain Relief SR-6W-1 (BEAB) | 2-7-8 | 1 | | | | | |
| ASSEMBLY BLOCK | | | | | | | | | |
| 9-26 | BT245654 | Power Trans. AM-2800T-1 | 38-4-443 | 1 | | | | | |
| 9-27x | BT245665 | Power Trans. AM-2800T-3 (CEE, BEAB) | 38-4-445 | 1 | | | | | |
| 9-28x | BT245643 | Power Trans. AM-2800T-2 (CSA, AAL) | 38-4-444 | 1 | | | | | |
| 9-29 | ZW237868 | Washer D5.1x10x1t | | 4 | | | | | |
| 9-30 | ZW274026 | Spring Washer | | 4 | | | | | |
| 9-31 | ZW413278 | Nut M5, #1 | | 4 | | | | | |
| 9-32 | EC246341 | Elect./C. 10000µF 63WV | 24-10-114 | 2 | | | | | |
| 9-33 | EJ551035 | Wrapping Terminal, 4P T-5251 | 32-1-36 | 1 | | | | | |
| 9-34 | EJ539447 | Earth Terminal 2P T4460 | 32-1-32 | 2 | | | | | |
| 9-35x | ZS447761 | Tapping Screw #2 3x6 (BR) (Black) | | 10 | | | | | |
| 9-36 | ES224436 | Push SW. JP01 | 25-5-221 | 1 | | | | | |
| 9-37x | ES239218 | Push SW. JP01 (TV-4) (CEE) | 25-5-222 | 1 | | | | | |
| 9-38x | ES242346 | Push SW. JP17 (CSA) | 25-5-224 | 1 | | | | | |
| 9-39 | EC551160 | Ceramic/C. NB821YZ 0.01µF (Z) 1.4kVW | 24-5-55 | 1 | | | | | |
| 9-40x | EC286198 | Ceramic/C. AL-10 0.01µF (Z) 125WV (CEE) | 24-5-69 | 1 | | | | | |
| 9-41 | ZS417216 | Screw, pan head 3x4 | | 12 | | | | | |
| 9-42 | EJ655716 | Head Phone Jack 3PMJ1E | 31-2-67 | 1 | | | | | |
| 9-43x | ZW554624 | E Jack Nut | 7-1-56 | 1 | | | | | |
| 9-44 | ES240524 | Rotary SW. SR321N 1-2-4 30 KC | 25-7-47 | 1 | | | | | |
| 9-45 | EM245744 | Level Meter D34A52R | 46-1-145 | 2 | | | | | |
| 9-46 | EL245700 | Lamp (Cord Type) 8V 300mA (600m/mx2) | 28-2-57 | 1 | | | | | |
| 9-47 | TA242076 | Meter Illumination Plate | M2-5813 | 1 | | | | | |
| 9-48 | MS241582 | Relay Shaft B | M2-5412 | 2 | | | | | |
| 9-49 | ZW270123 | 'E' Ring 4M | 6-1-9 | 4 | | | | | |
| 9-50 | ZW322110 | Washer (Nylon) D6.1x10.3x1.0t | | 2 | | | | | |
| 9-51 | TA646773 | Joint | AA-5240 | 2 | | | | | |
| 9-52 | ZW698308 | Nylon Rivet (FNPR) 3x5.5 Black | 2-7-54 | 5 | | | | | |
| 9-53x | ZS608185 | Screw, pan head 2.6x4 | | 2 | | | | | |
| 9-54x | ZW330412 | Adjust. Washer (U) D4x13x0.13t | | 2 | | | | | |
| 9-55x | ZW330423 | Adjust. Washer (U) D4x13x0.25t | | 2 | | | | | |

When ordering parts, Please describe Parts Number, Description, and Model Number in detail.

10. PHOTO OF FINAL ASSEMBLY BLOCK



10) FINAL ASSEMBLY BLOCK

| Ref. No. | Parts No. | Description | Schematic No. | Q'ty |
|--------------------------|-----------|--------------------------|---------------------|------|
| FRONT PANEL BLOCK | | | | |
| 10-1 | BD235978 | Front Panel Block Comp. | | 1 |
| 10-2 | MZ224627 | Push Button Bush A | M2-5004 | 1 |
| 10-3 | ZW526577 | Collar B, Jack | MC-5006 | 1 |
| 10-4 | SE233807 | Lever Escutcheon (Small) | M2-5615 | 2 |
| 10-5 | SE244787 | Lever Escutcheon (Large) | M2-5616 | 5 |
| 10-6 | TA242087 | Meter Plate | M2-5818/ M2-5819 | 1 |
| 10-7 | BC242190 | Cabinet AM-2800 | M2-5820 | 1 |
| 10-8 | ZW548010 | Spot Facing Washer | MU-6028 | 4 |
| 10-9 | ZS510344 | Screw, binding head 4x12 | | 4 |
| 10-10 | SK224886 | Power Knob AT-2200 | M2-5021 | 1 |
| 10-11 | SK646817 | Single Knob | AA-5250 | 3 |
| 10-12 | SK240063 | Selector Knob | M2-5428 | 3 |
| 10-13 | SK233730 | Lever Knob | M2-5614 | 7 |
| 10-14 | SK241863 | Vol. Knob 2 | M2-5612 | 1 |
| 10-15 | SK241874 | Balance Knob | M2-5613 | 1 |

When ordering parts, Please describe Parts Number, Description, and Model Number in detail.

11. LIST OF INTERCHANGEABLE SEMICONDUCTORS

As far as service is concerned, in case the original parts cannot be obtained, the interchangeable parts listed below can be substituted.

| Original Parts | | | Interchangeable Parts | |
|----------------------------|-----------|----------------------|--|----------------------|
| Description | Parts No. | Utilizing P.C Board | Description | Parts No. |
| 2SA640-1 (E) (F) (G) (H) | ET204221 | M2-5432A | | |
| 2SA733 (Q) (R) | ET557965 | M2-5432A | 2SA628 (E) (F) | ET557976 |
| 2SA814 (O) (Y) | ET240423 | M2-5432A | | |
| 2SB554 (O) (R) | ET245755 | | | |
| 2SB560 (E) (F) | ET219868 | M2-5432A | 2SA661 (O) (Y) | ET650665 |
| 2SC536 (E) (F) (G) | ET621235 | M2-5432A | 2SC711 (E) (F) (G) | ET520841 |
| 2SC945L (K) (P) (Q) (R) | ET635218 | M2-5432B M2-5432C | 2SC536 (E) (F) (G) 2SC711 (E) (F) (G) | ET621235 ET520841 |
| 2SC1222 (E) (F) | ET459810 | M2-5617A M2-5821 | 2SC1000 (BL) (GR) 2SC1312 (G) (H) | ET622181 ET517263 |
| 2SC1624 (O) (Y) RED | ET240412 | M2-5432A | 2SC1124 (1) (2) | ET551564 |
| 2SC1628 (O) (Y) | ET623035 | M2-5432A | 2SC1124 (1) (2) | ET551564 |
| 2SC1940 (K) (L) (M) | ET240636 | M2-5432A | | |
| 2SD313 (E) (F) | ET452531 | M2-5432A | 2SD571 (L) (M) | ET655536 |
| 2SD424 (O) (R) | ET245777 | | | |
| 2SD571 (K) (L) | ET666406 | M2-5432A | 2SD438 (D) (E) 2SC1384 (Q) (R) | ET699017 ET565852 |
| 1S2472 | ED240412 | M2-5432A | 1S2472HC 1S2473HC | ED656278 ED245441 |
| 1S188AM | ED562386 | M2-5432A | 1N60 | ED691784 |
| GP8D | ED245430 | M2-5432A | | |
| GP30G | ED245428 | M2-5432A | | |
| RD36E (C) | ED240377 | M2-5432A | | |
| SEL105R | ED656357 | M2-5617C | | |

INDEX

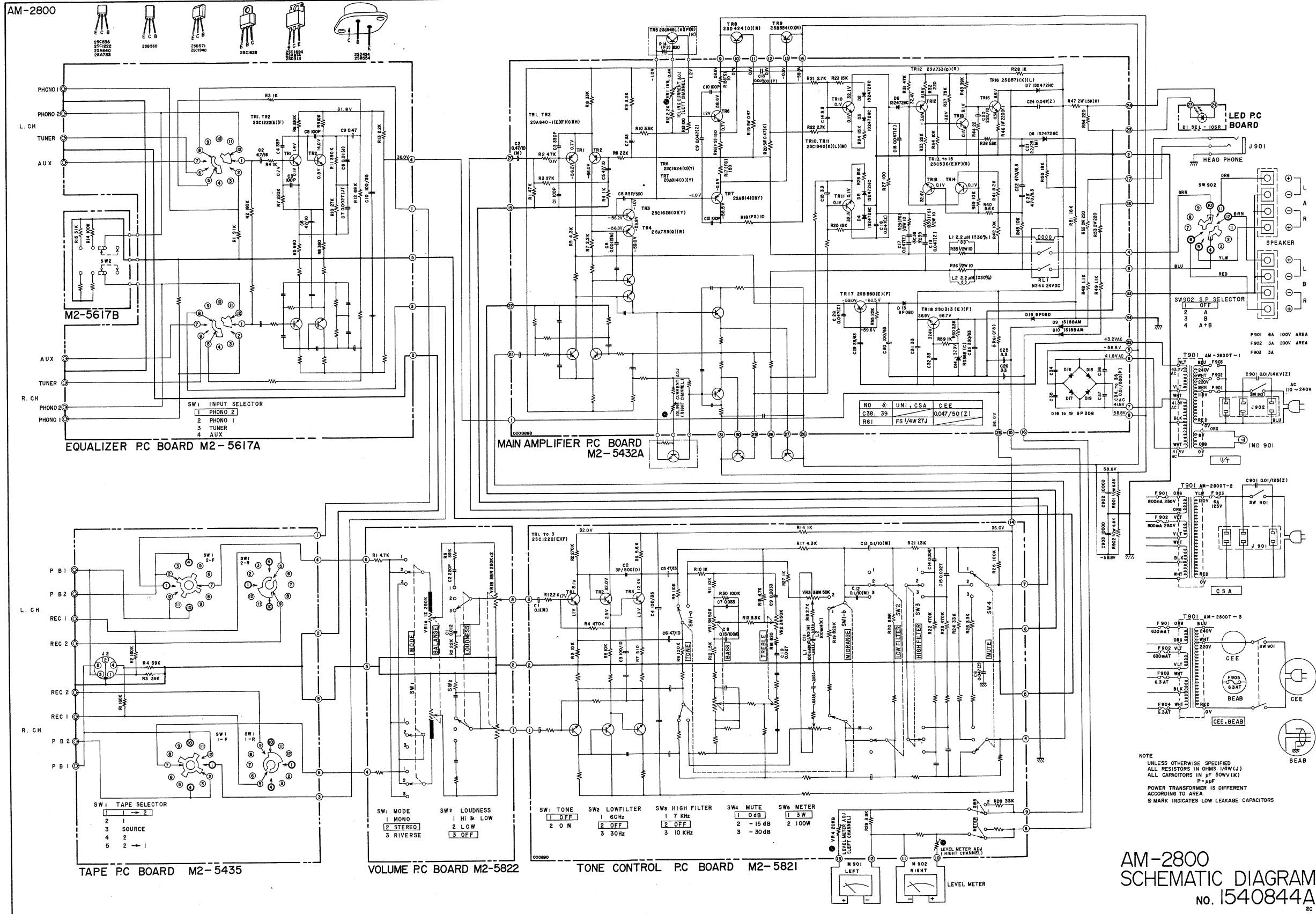
| Parts No. | Ref. No. & Symbol No. | Parts No. | Ref. No. & Symbol No. | Parts No. | Ref. No. & Symbol No. | Parts No. | Ref. No. & Symbol No. | Parts No. | Ref. No. & Symbol No. |
|-----------|-----------------------|-----------|-----------------------|-----------|-----------------------|-----------|-----------------------|-----------|-----------------------|
| BA236024 | 8-1 | ET623035 | 2-TR3 | | | | | | |
| BA273082 | 4-1 | ET635218 | 3-TR5 | | | | | | |
| BA273137 | 2-1 | ET666404 | 2-TR16 | | | | | | |
| BA273148 | 2-2 | EV242267 | 7-VR1,2 | | | | | | |
| BA273161 | 2-3 | EV246148 | 8-VR1 | | | | | | |
| BA273205 | 5-1 | EV246238 | 7-VR3 | | | | | | |
| BA273240 | 6-1 | EV484863 | 2-VR1,2 | | | | | | |
| BA273453 | 7-1 | EV560136 | 7-VR4 | | | | | | |
| BC242190 | 10-7 | EW516475 | 9-22x | | | | | | |
| BD235978 | 10-1 | EW516600 | 9-21x | | | | | | |
| BT245643 | 9-28x | EW540123 | 9-20 | | | | | | |
| BT245654 | 9-26 | EW604585 | 9-23x | | | | | | |
| BT245665 | 9-27x | EZ246936 | 9-25x | | | | | | |
| EA241795 | 3-1 | EZ624734 | 9-4x | | | | | | |
| EA241986 | 9-71 | EZ631945 | 9-24 | | | | | | |
| EA245698 | 3-2 | MS241582 | 9-48 | | | | | | |
| EC219813 | 7-C11to13 | MZ224627 | 10-2 | | | | | | |
| EC246328 | 7-C8 | SE233807 | 10-4 | | | | | | |
| EC246341 | 9-32 | SE244787 | 10-5 | | | | | | |
| EC286198 | 9-40x | SK224886 | 10-10 | | | | | | |
| EC538244 | 2-C2 | SK233730 | 10-13 | | | | | | |
| EC551160 | 9-39 | SK240063 | 10-12 | | | | | | |
| EC662128 | 2-C21 | SK241863 | 10-14 | | | | | | |
| ED214457 | 2-D2to8 | SK241874 | 10-15 | | | | | | |
| ED240377 | 2-D14 | SK646817 | 10-11 | | | | | | |
| ED245428 | 2-D16to19 | SK652397 | 9-14 | | | | | | |
| ED245430 | 2-D13 | SP240502 | 9-8x | | | | | | |
| ED245430 | 2-D15 | SP240513 | 9-10x | | | | | | |
| ED562386 | 2-D9,10 | SP242177 | 9-7 | | | | | | |
| ED656357 | 9-72 | SP242201 | 9-60 | | | | | | |
| EF242605 | 9-65x | SP243347 | 9-9x | | | | | | |
| EF268053 | 9-67x | SZ645243 | 9-61 | | | | | | |
| EF277424 | 9-66x | TA242076 | 9-47 | | | | | | |
| EF563657 | 9-63 | TA242087 | 10-6 | | | | | | |
| EF601942 | 9-64x | TA646773 | 9-51 | | | | | | |
| EJ223514 | 9-17 | ZS325495 | 9-19 | | | | | | |
| EJ240535 | 9-13 | ZS417148 | 9-5 | | | | | | |
| EJ240581 | 9-11 | ZS417150 | 9-69x | | | | | | |
| EJ246216 | 4-J1 | ZS417216 | 7-2 | | | | | | |
| EJ246216 | 5-J1 | ZS417216 | 8-2 | | | | | | |
| EJ246870 | 9-18x | ZS417216 | 9-41 | | | | | | |
| EJ539447 | 9-34 | ZS447761 | 9-35x | | | | | | |
| EJ551035 | 9-33 | ZS447805 | 9-12 | | | | | | |
| EJ624486 | 9-3 | ZS447840 | 9-6 | | | | | | |
| EJ655716 | 9-42 | ZS510344 | 10-9 | | | | | | |
| EJ698051 | 4-J2 | ZS565942 | 9-62 | | | | | | |
| EL245700 | 9-46 | ZS608185 | 9-53x | | | | | | |
| EM245744 | 9-45 | ZS608477 | 9-16x | | | | | | |
| EO551711 | 2-L1,2 | ZW237868 | 9-29 | | | | | | |
| EO656954 | 7-L1,2 | ZW270123 | 9-49 | | | | | | |
| EP245283 | 2-RL1 | ZW273892 | 9-68x | | | | | | |
| ER245531 | 2-R47 | ZW274026 | 9-30 | | | | | | |
| ER246363 | 2-R52,53 | ZW322110 | 9-50 | | | | | | |
| ER389687 | 2-R46 | ZW330412 | 9-54x | | | | | | |
| ER622978 | 2-R19,20 | ZW330423 | 9-55x | | | | | | |
| ES214650 | 7-SW5 | ZW330434 | 9-56x | | | | | | |
| ES224436 | 9-36 | ZW330445 | 9-57x | | | | | | |
| ES239218 | 9-37x | ZW330456 | 9-58x | | | | | | |
| ES240524 | 9-44 | ZW413188 | 9-70x | | | | | | |
| ES242346 | 9-38x | ZW413278 | 9-31 | | | | | | |
| ES243674 | 7-SW2to4 | ZW439547 | 9-59x | | | | | | |
| ES243674 | 8-SW2 | ZW526577 | 10-3 | | | | | | |
| ES245733 | 4-SW1 | ZW548010 | 10-8 | | | | | | |
| ES246183 | 8-SW1 | ZW554624 | 9-43x | | | | | | |
| ES246194 | 5-SW1 | ZW651082 | 9-15 | | | | | | |
| ES246227 | 6-SW2 | ZW698308 | 9-52 | | | | | | |
| ES246240 | 7-SW1 | | | | | | | | |
| ET204221 | 2-TR1,2 | | | | | | | | |
| ET219868 | 2-TR17 | | | | | | | | |
| ET240412 | 2-TR6 | | | | | | | | |
| ET240423 | 2-TR7 | | | | | | | | |
| ET240636 | 2-TR10,11 | | | | | | | | |
| ET245755 | 9-2 | | | | | | | | |
| ET245777 | 9-1 | | | | | | | | |
| ET452531 | 2-TR18 | | | | | | | | |
| ET459810 | 5-TR1,2 | | | | | | | | |
| ET459810 | 7-TR1to3 | | | | | | | | |
| ET520841 | 2-TR13to15 | | | | | | | | |
| ET557965 | 2-TR4 | | | | | | | | |
| ET557965 | 2-TR12 | | | | | | | | |

SECTION 3

SCHEMATIC DIAGRAM

1. AM-2800 NO. 1540844A SCHEMATIC DIAGRAM

AM-2800



**AM-2800
SCHEMATIC DIAGRAM
No. 1540844A**

NOTE
UNLESS OTHERWISE SPECIFIED
ALL RESISTORS IN OHMS 1/4W (L)
ALL CAPACITORS IN μF 50V (K)
POWER TRANSFORMER IS DIFFERENT
ACCORDING TO AREA
* MARK INDICATES LOW LEAKAGE CAPACITORS