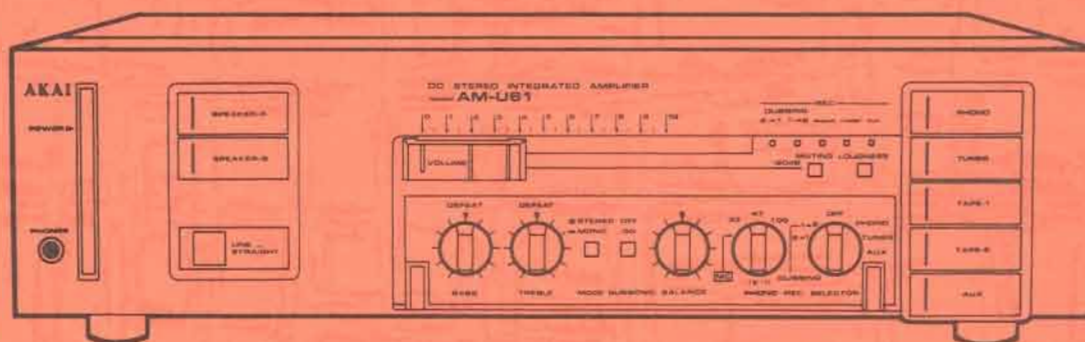
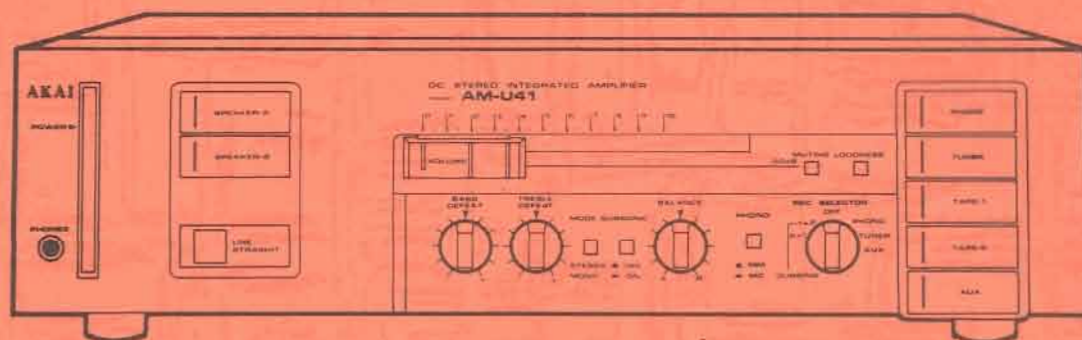
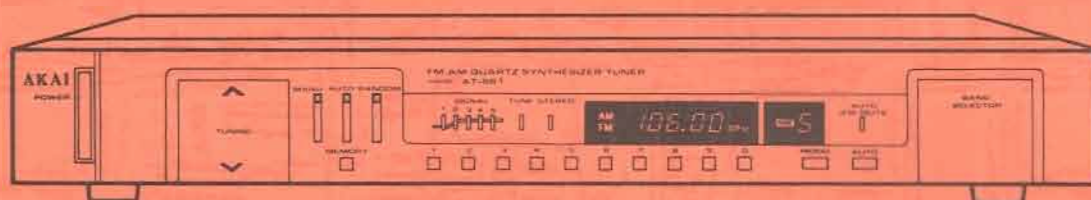


AKAI SERVICE MANUAL

AT-S61/L/J



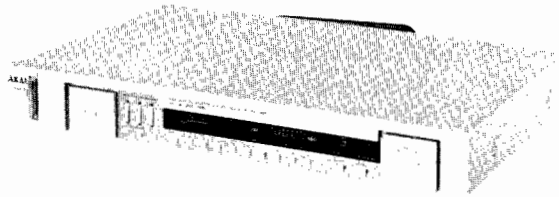
FM AM QUARTZ SYNTHESIZER TUNER

MODEL **AT-S61/L/J**

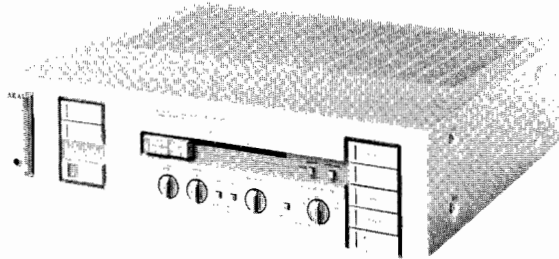
DC STEREO INTEGRATED AMPLIFIER

AM-U41

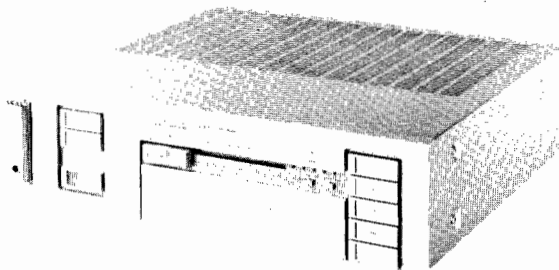
MODEL **AM-U61**



AT-S61/L/J



AM-U41



AM-U61

FM AM QUARTZ SYNTHESIZER TUNER

MODEL AT-S61/L/J

DC STEREO INTEGRATED AMPLIFIER

MODEL AM-U41

DC STEREO INTEGRATED AMPLIFIER

MODEL AM-U61

This manual is applicable to both silver and pearl shadow panel models.

TABLE OF CONTENTS

| | | |
|------------------|---|-----------|
| SECTION 1 | SERVICE MANUAL AT-S61/L/J | 3 |
| SECTION 2 | SERVICE MANUAL AM-U41/AM-U61 | 25 |
| SECTION 3 | PARTS LIST | 47 |
| SECTION 4 | SCHEMATIC DIAGRAM | 70 |

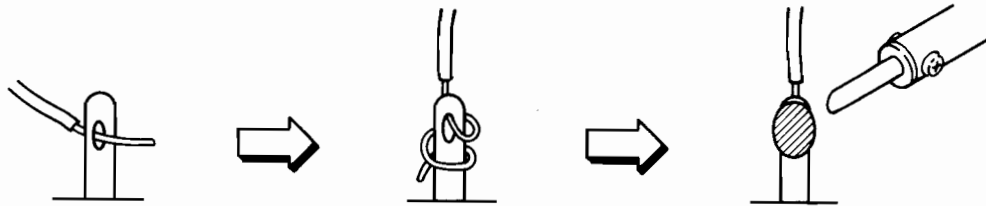
SAFETY INSTRUCTION

SAFETY CHECK AFTER SERVICING

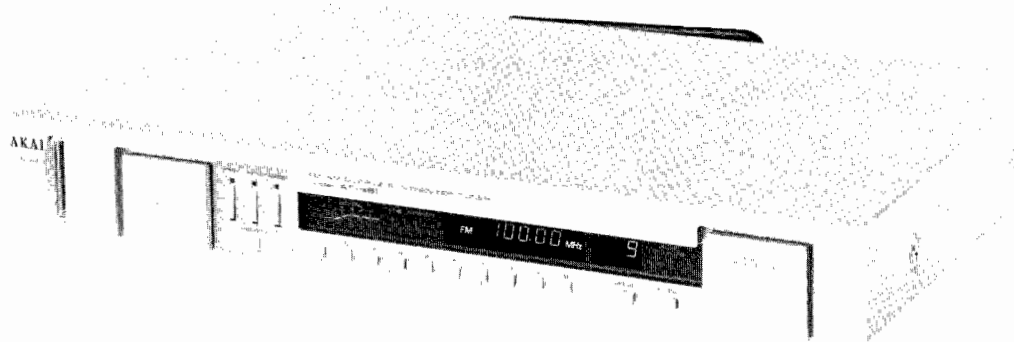
Confirm the specified insulation resistance between power cord plug prongs and externally exposed parts of the set is greater than 10 Mohms, but for equipment with external antenna terminals (tuner, receiver, etc.) and is intended for **C** or **A**, specified insulation resistance should be more than 2.2 Mohms (ground terminals, microphone jacks, headphone jacks, line-in-out jacks etc.)

PRECAUTIONS DURING SERVICING

1. Parts identified by the \triangle symbol parts are critical for safety.
Replace only with parts number specified.
2. In addition to safety, other parts and assemblies are specified for conformance with such regulations as those applying to spurious radiation. These must also be replaced only with specified replacements.
Examples: RF converters, tuner units, antenna selector switches, RF cables, noise blocking capacitors, noise blocking filters, etc.
3. Use specified internal wiring. Note especially:
 - 1) Wires covered with PVC tubing
 - 2) Double insulated wires
 - 3) High voltage leads
4. Use specified insulating materials for hazardous live parts. Note especially:
 - 1) Insulation Tape
 - 2) PVC tubing
 - 3) Spacers (Insulating Barriers)
 - 4) Insulation sheets for transistors
5. When replacing AC primary side components (transformers, power cords, noise blocking capacitors, etc.), wrap ends of wires securely about the terminals before soldering.



6. Observe that wires do not contact heat producing parts (heatsinks, oxide metal film resistors, fusible resistors, etc.).
7. Check that replaced wires do not contact sharp edged or pointed parts.
8. Also check areas surrounding repaired locations.
9. Use care that foreign objects (screws, solder droplets, etc.) do not remain inside the set.



SECTION 1

SERVICE MANUAL

MODEL AT-S61/L/J

This manual is applicable to both silver and pearl shadow panel models.

TABLE OF CONTENTS

| | |
|---|----|
| I. SPECIFICATIONS | 4 |
| II. DISMANTLING OF UNIT | 5 |
| III. CONTROLS | 6 |
| IV. PRINCIPAL PARTS LOCATION..... | 7 |
| V. VOLTAGE CONVERSION | 8 |
| VI. OPERATION | 9 |
| 1. FM SYNTHESIZER BLOCK DIAGRAM..... | 9 |
| 2. FUNCTION OF AT-600 TERMINALS | 10 |
| 3. POWER OFF MANAGE AND RESET CIRCUIT | 12 |
| 4. MUTE CIRCUIT OPERATION..... | 12 |
| 5. STEREO NOISE REDUCTION CIRCUIT | 13 |
| 6. AUTO STOP SIGNAL DETECTING CIRCUIT | 14 |
| 7. KEY MATRIX..... | 15 |
| VII. ELECTRICAL ADJUSTMENT..... | 17 |
| 1. AM (AT-S61L: MW) SECTION ADJUSTMENT | 17 |
| 2. LW SECTION ADJUSTMENTS..... | 18 |
| 3. FM SECTION ADJUSTMENT | 18 |
| VIII. CLASSIFICATION OF VARIOUS P.C BOARDS | 20 |
| 1. P.C BOARD TITLES AND IDENTIFICATION NUMBERS..... | 20 |
| 2. COMPOSITION OF VARIOUS P.C BOARDS | 21 |

For basic adjustment, measuring methods, and operating principles, refer to GENERAL TECHNICAL MANUAL.

I. SPECIFICATIONS

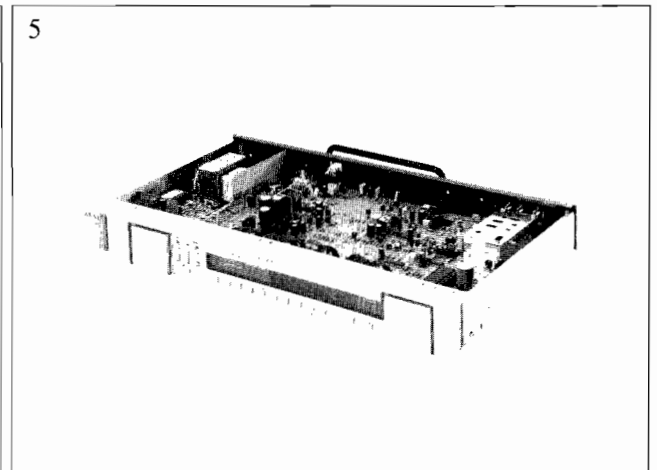
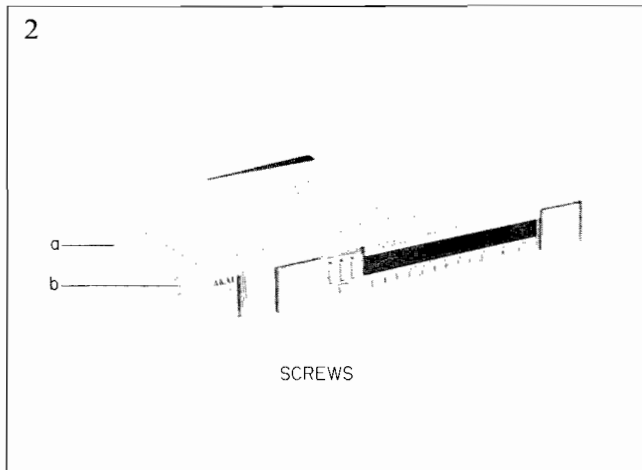
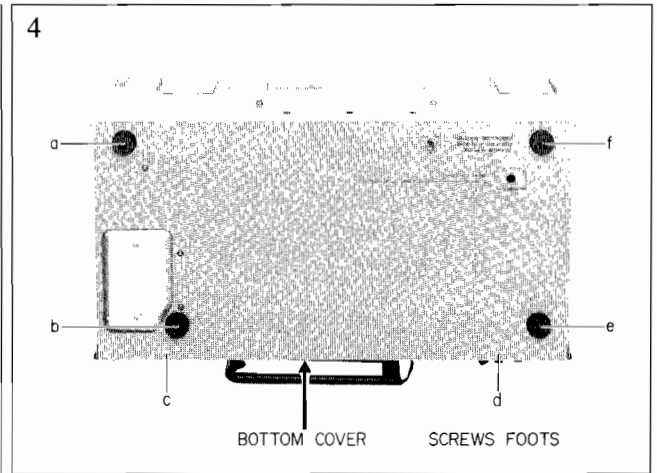
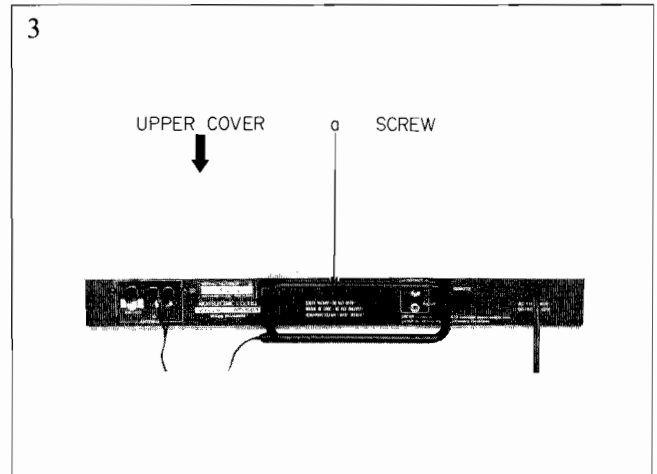
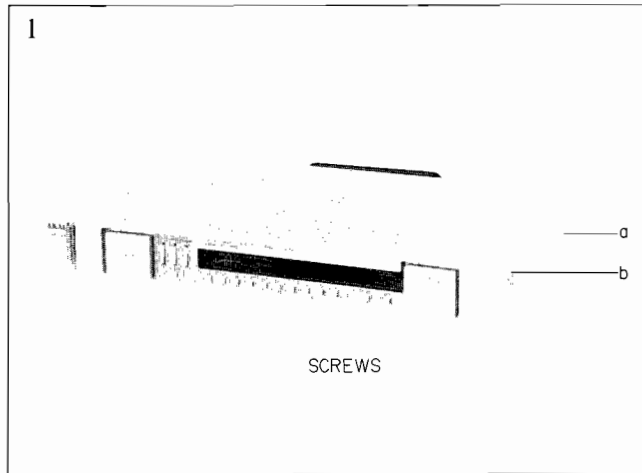
| FM TUNER SECTION | | |
|---|---|----------------|
| TUNING FREQUENCY RANGE | 87.4 to 108.1 MHz (Except JAPAN) 76 to 90 MHz | |
| SENSITIVITY | | |
| USABLE (S/N = 30 dB, MONO) | 11.2 dBf | |
| QUIETING (S/N = 50 dB, Mono/Stereo) | 16.2/37.2 dBf | |
| CAPTURE RATIO | 1.0 dB | |
| SELECTIVITY (± 400 kHz) | 75 dB | |
| IMAGE REJECTION | 95 dB | |
| IF REJECTION | 110 dB | |
| SPURIOUS REJECTION | 100 dB | |
| AM SUPPRESSION | 65 dB | |
| SUB CARRIER SUPPRESSION | 65 dB | |
| S/N (Mono/Stereo) | 78/70 dB | |
| T.H.D. (± 75 kHz DEVIATION, Mono/Stereo) | 0.06/0.09% | |
| STEREO SEPARATION (1 kHz) | 55 dB | |
| FREQUENCY RESPONSE | 25 Hz to 15 kHz +0.5 dB, -1 dB | |
| OUTPUT LEVEL | | |
| (FM, 100% MODULATION) | 550 mV | |
| ANTENNA INPUT IMPEDANCE | 75 ohms | |
| AM TUNER SECTION | | |
| TUNING FREQUENCY RANGE | AM | LW |
| USA AND CANADA | (MW for AT-S61L) | (AT-S61L only) |
| OTHERS | 530 to 1610 kHz | - |
| | 522 to 1611 kHz | 137 to 362 kHz |
| USABLE SENSITIVITY (LOOP) | 300 μ V/m | 800 μ V/m |
| SELECTIVITY | 35 dB | 40 dB |
| IMAGE REJECTION | 45 dB | 45 dB |
| IF REJECTION | 65 dB | 65 dB |
| S/N | 40 dB | 34 dB |
| T.H.D. | 1.0% | 2.0% |
| OUTPUT SECTION | | |
| OUTPUT IMPEDANCE | 3.3 k ohms | |
| OTHERS | | |
| POWER REQUIREMENTS | 100V, 50/60 Hz for Japan 120V, 60 Hz for USA and Canada 220V, 50 Hz for Europe except UK 240V, 50 Hz for UK and Australia 110V/220V/240V, 50/60 Hz switchable for other countries | |
| POWER CONSUMPTION | 13W | |
| DIMENSIONS | 440 (W) \times 63 (H) \times 273 (D) mm (17.3 \times 2.5 \times 10.7 inches) | |
| WEIGHT | 3.3 kg (7.3 lbs) | |

* For improvement purposes, specifications and design are subject to change without notice.

II. DISMANTLING OF UNIT

AT-S61/L/J

In case of trouble, etc. necessitating dismantling, please dismantle in the order shown in the photographs. Reassemble in reverse order.



III. CONTROLS

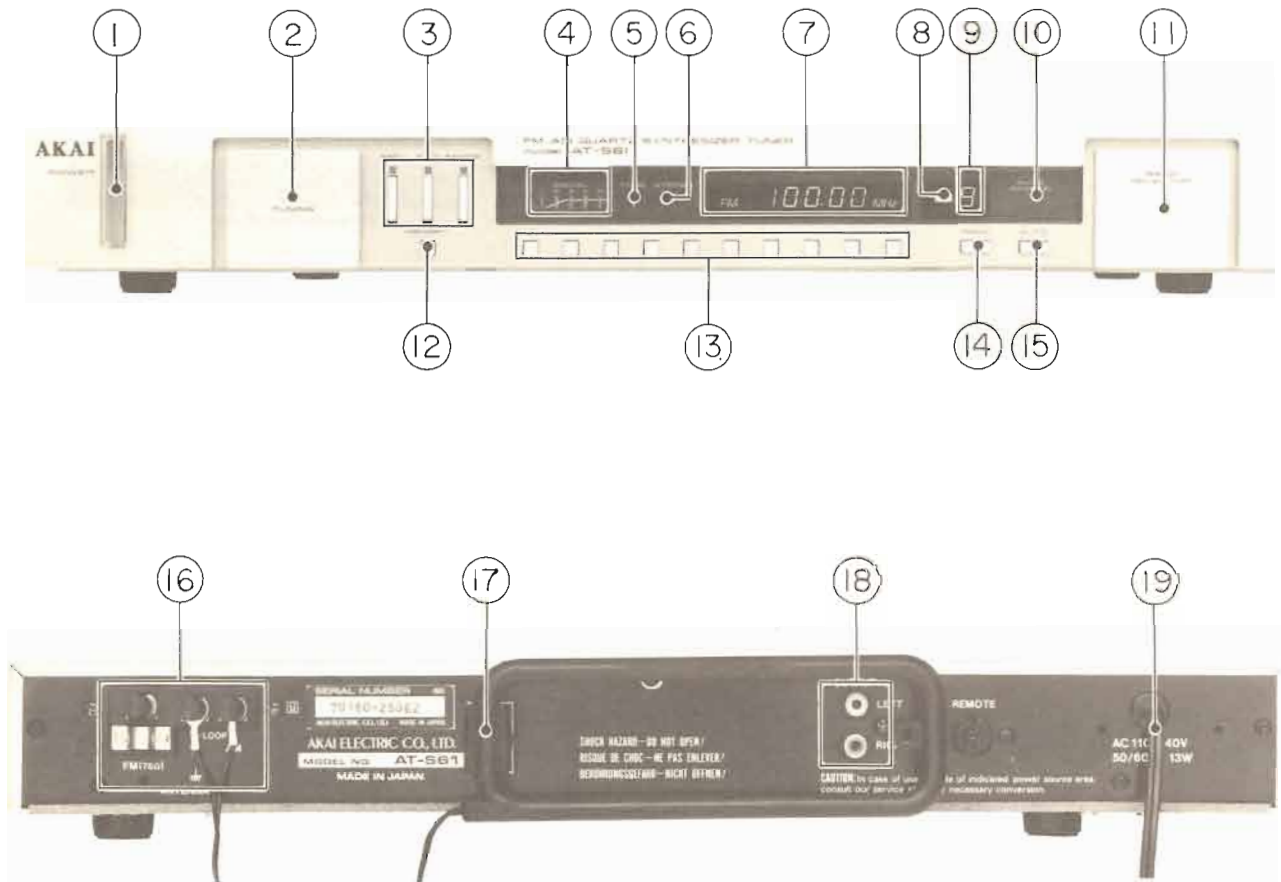
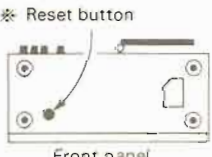


Fig. 1 Controls

- | | |
|--|---|
| <ol style="list-style-type: none"> 1. POWER SWITCH 2. TUNING BUTTON 3. TUNING MODE BUTTONS WITH INDICATORS 4. SIGNAL STRENGTH INDICATORS 5. TUNE INDICATOR 6. STEREO INDICATOR 7. DIGITAL FL DISPLAY 8. MEMORY (ME) INDICATOR 9. PRESET STATION NUMBER DISPLAY 10. AUTO (FM MUTE) INDICATOR 11. BAND SELECTOR 12. MEMORY BUTTON 13. PRESET STATION BUTTONS 14. MONO BUTTON (CAL TONE BUTTON JAPAN Model) | <ol style="list-style-type: none"> 15. FM AUTO BUTTON (MODE SELECTOR JAPAN Model) 16. FM, AM AND AM LOOP ANTENNA TERMINALS 17. AM LOOP ANTENNA HOLDER 18. OUTPUT JACKS 19. REMOTE JACK 20. POWER CORD |
|--|---|

✳ Reset button



Front panel

When the power to the AT-S61/L/J is turned on, the station that was tuned in before the power was turned off, will be tuned in again automatically. In case nothing is displayed or an unexpected frequency is displayed, turn the POWER switch on and off. If a proper frequency is still not displayed, depress the Reset button on the bottom of the unit. Do the same in case of malfunction.

IV. PRINCIPAL PARTS LOCATION

AT-S61/L/J

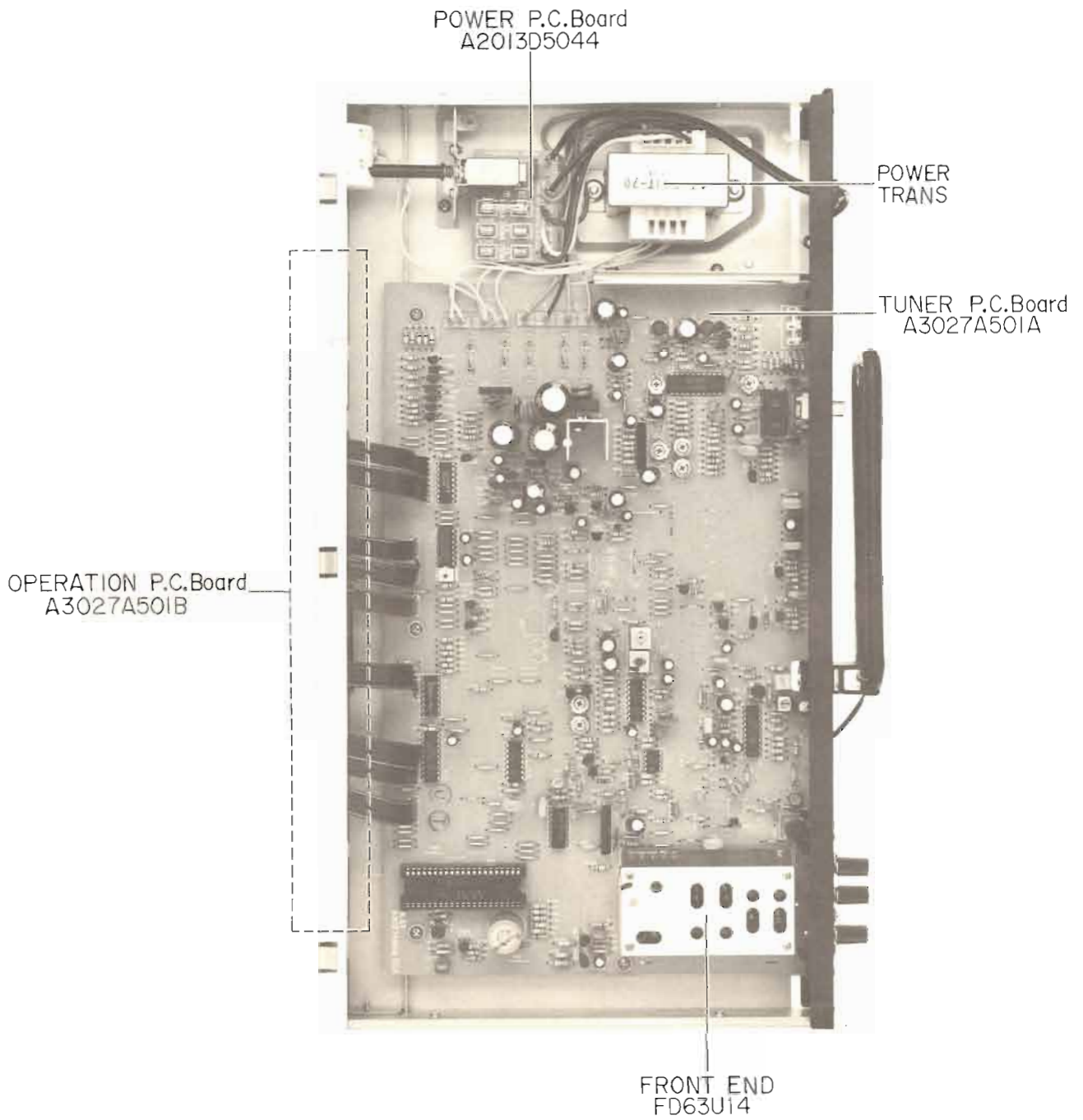
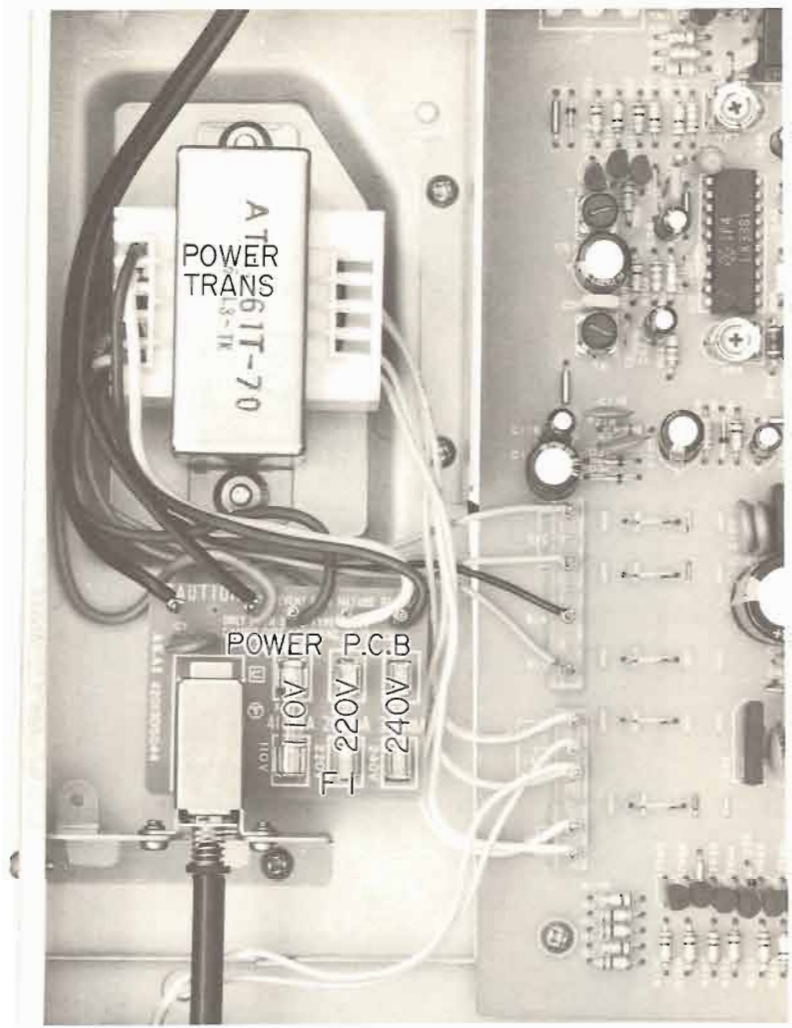


Fig. 2 Top View

V. VOLTAGE CONVERSION



| | |
|-------------|------------|
| 110V AREA : | 250V 400mA |
| 220V AREA : | 250V 200mA |
| 240V AREA : | 250V 200mA |

Fig. 3 Voltage Conversion (U Model Only)

Models for Japan, Canada, USA, Europe, UK and Australia are not equipped with this facility.

Each machine is preset at the factory according to destination, but some machines can be set to 110V, 220V or 240V as required. If voltage change is necessary, this can be accomplished as follows.

1. Disconnect the power cord.
2. Loosen the holding screws and remove the top panel.
3. Remove the Line Voltage Fuse and insert the required Line Voltage Fuse onto the proper Fuse Holder, explicitly following the printed instructions.

VI. OPERATION

1. FM SYNTHESIZER BLOCK DIAGRAM

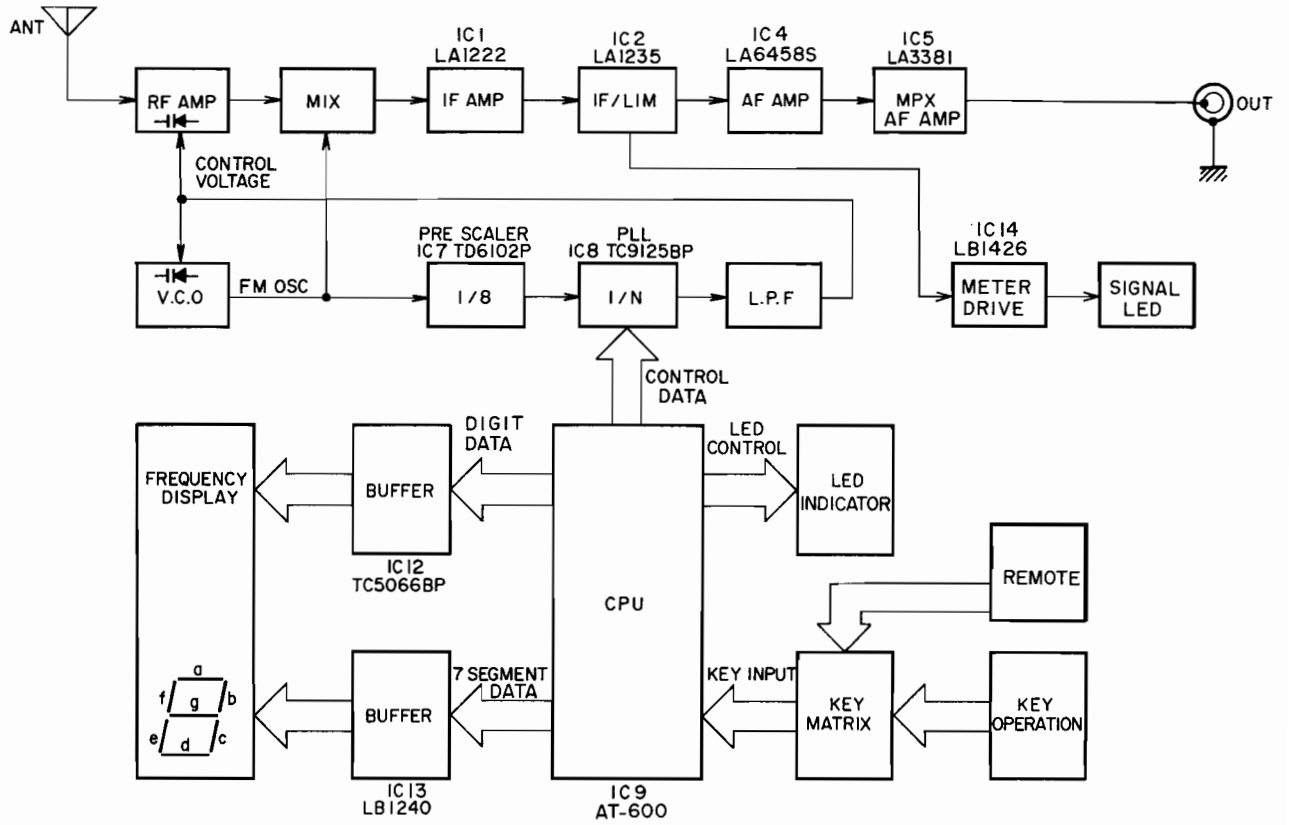



Fig. 4 FM Synthesizer Block Diagram

2. FUNCTION OF AT600 TERMINALS

| No. | Terminal Description | Function |
|-----|----------------------|---|
| 1 | MUTING | H = Muting OFF L = Muting ON |
| 2 | FM | H = FM L = MW (AM) or LW |
| 3 | MW | H = MW (AM) L = FM or LW |
| 4 | LW | H = LW L = FM or MW |
| 5 | LED DATA | Light up the LED of MANUAL, AUTO, RANDOM |
| 6 | K1 SIGNAL | (1) EXCEPT JAPAN K1 SIGNAL becomes "H" when MONO KEY is depressed, and K1 SIGNAL becomes "L" when AUTO KEY is depressed. K2 SIGNAL is always "L". (2) JAPAN MODEL K1 SIGNAL is reversed every time MODE KEY is depressed ("H" at MONO), and K2 SIGNAL is reversed every time CAL TONE KEY is depressed ("H" when CAL TONE is ON). When K2 SIGNAL is "H", CAL is displayed on FREQUENCY DISPLAY, and all tuning modes are released. Therefore, any input other than the inputs by CAL TONE KEY and MODE KEY are not mode. |
| 7 | K2 SIGNAL | |
| 9 | a |  <p>Frequency Display Segment Data</p> |
| 10 | b | |
| 11 | c | |
| 12 | d | |
| 13 | e | |
| 14 | f | |
| 15 | g | |
| 16 | | |
| 8 | T6 | TIMING CONTROL |
| 17 | T5 | |
| 18 | T4 | |
| 19 | T3 | |
| 20 | T2 | |
| 22 | T1 | |
| 21 | GND | |
| 23 | K1 | KEY Input Input...ACTIVE LOW |
| 24 | K2 | |
| 25 | K3 | |
| 26 | K4 | |
| 27 | XIN | Connect a OSC Coil. |
| 28 | XOUT | |
| 29 | CK | CAL TONE Signal (Japan Model only) |
| 30 | TEST | |
| 31 | RESET | ACTIVE LOW → Reset |
| 32 | INT | Interrupt Signal |
| 33 | POF | Power OFF manage. |
| 34 | PLL LOAD | PLL Load Signal |
| 35 | KD | Lock SW input. (Refer to KEY Matrix) |
| 36 | NC | |
| 37 | AUTO STOP | L = AUTO STOP |
| 38 | D | PLL Frequency Data |
| 39 | C | |
| 40 | B | |
| 41 | A | |
| 42 | VDD | Power terminal +5V |

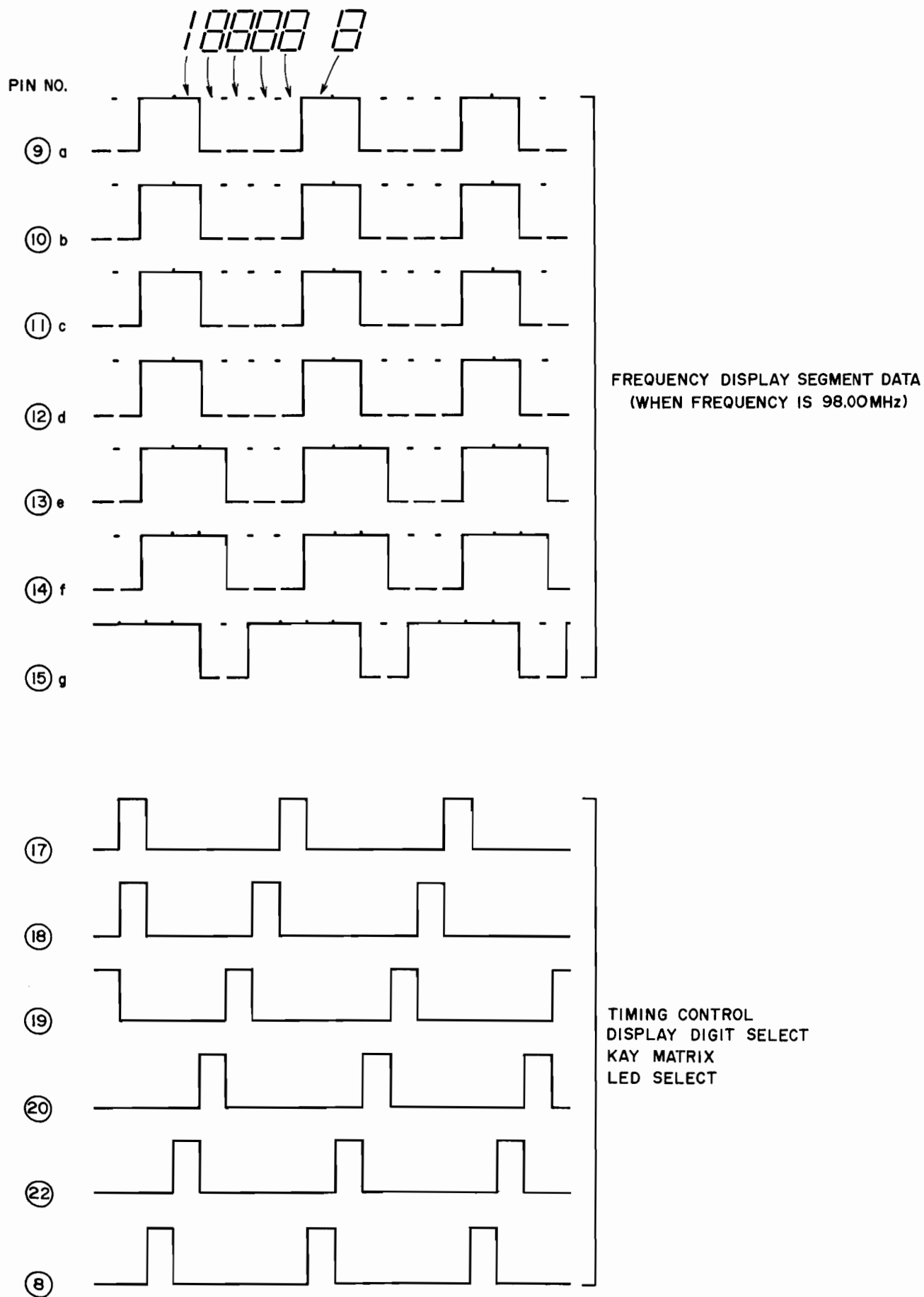


Fig. 5 Waveform of IC9(AT-600)

3. POWER OFF MANAGE AND RESET CIRCUIT

- 1) If power is ON, TR36 is turned ON. At the same time, C106 is charged through D21 and R221. If power is OFF, TR36 is turned OFF, and IC9 ③③ becomes "H" by the electric charge of C106 and CPU is set to Hold.
- 2) Memory by Super Capacitor (C106, 0.22F) can be stored for about 20 days.
- 3) If power is ON while Super Capacitor is discharged, malfunction may be caused. In such a case, depress RESET Button (SW1) to reset Mi-Com. Reset operation should be performed while power is ON.

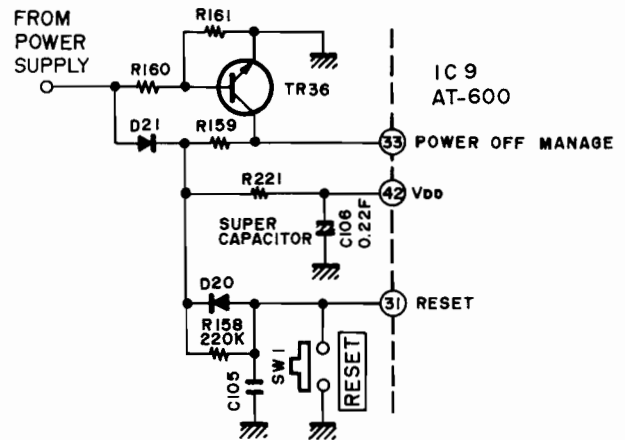


Fig. 6

4. MUTE CIRCUIT OPERATION

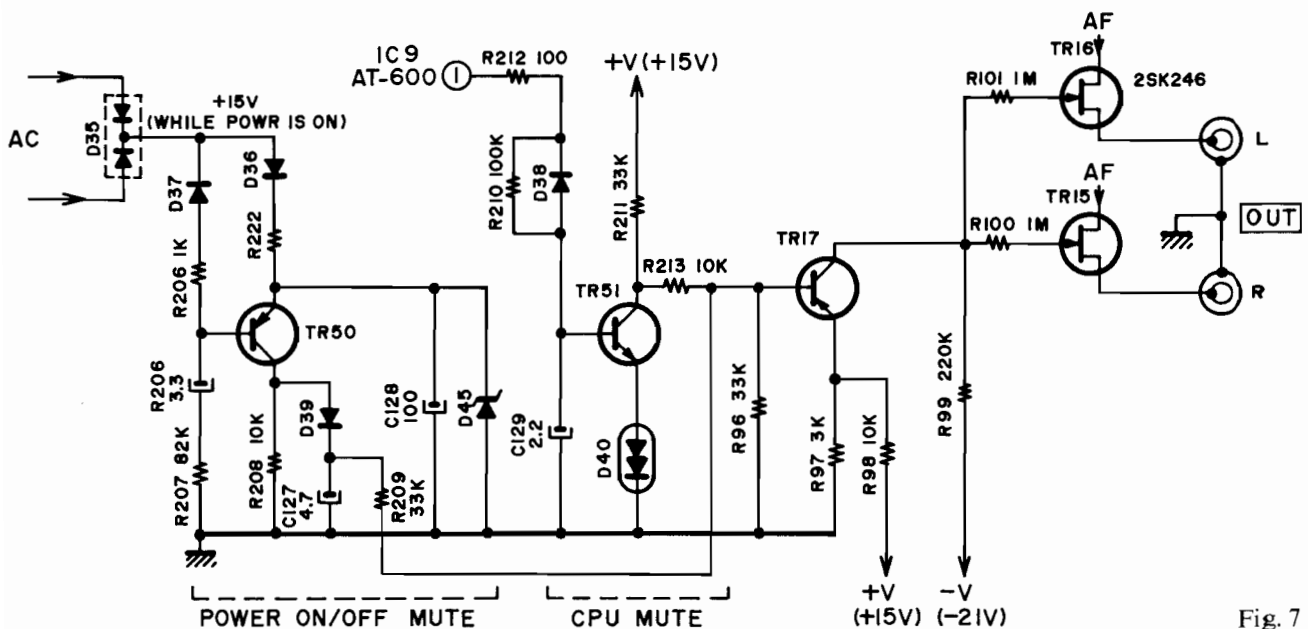


Fig. 7

AT-S61 has two mutes, one at the power ON/OFF operation, and the other by the signal from CPU IC (AT-600).

- 1) When the power switch is turn ON, the DC voltage rectified by D35 is applied to TR50 through D36 and R222. Since TR50 is kept ON until C126 is charged by base current, + voltage is applied to the base of TR17 through D39 and R209. As the base potential of TR17 becomes higher than that of the emitter, it is turned OFF. As - voltage is applied to Gate, TR15 and TR16 are turned OFF and AF signal is not sent to the output terminal. When the charging of C126 is completed, AF signal is output after TR50 → OFF, TR17 → ON and TR15 and TR16 → ON.
- 2) When the power switch is turned OFF, the potential of D35 is lowered faster than other power sources (+15, -21V) since the rectified output of D35 has no smoothing condenser. Moreover, as C126 discharges through R206 and D37, the base potential of TR50 is lowered. On the other hand, the emitter of TR50

comes to have a higher potential due to the electric charge C128, thus causing TR50 to be turned ON. Afterwards, as in the case where power is ON, TR17 → OFF, TR15 and TR16 → OFF, and AF signal is not output. This operation ends when the discharging of C128 is completed.

- 3) Terminal ① of IC9 (AT-600) is "H" at the time of normal reception. At time, TR51 is ON → TR17: ON → TR15 and TR16: ON, and AF signal is output from Line Out.
- 4) Terminal ① of IC9 (AT-600) becomes "L" during scanning when Preset Station Key is depressed at the time of Random Tuning and when Band Selector is depressed. At this time, the base bias is not applied to TR51 and it is turned OFF, while the base potential of TR17 becomes higher than that of the emitter to turn TR17 OFF. On the other hand, minus bias is applied to TR15 and TR16 to turn them OFF, and AF signal is not output.

5. STEREO NOISE REDUCTION CIRCUIT

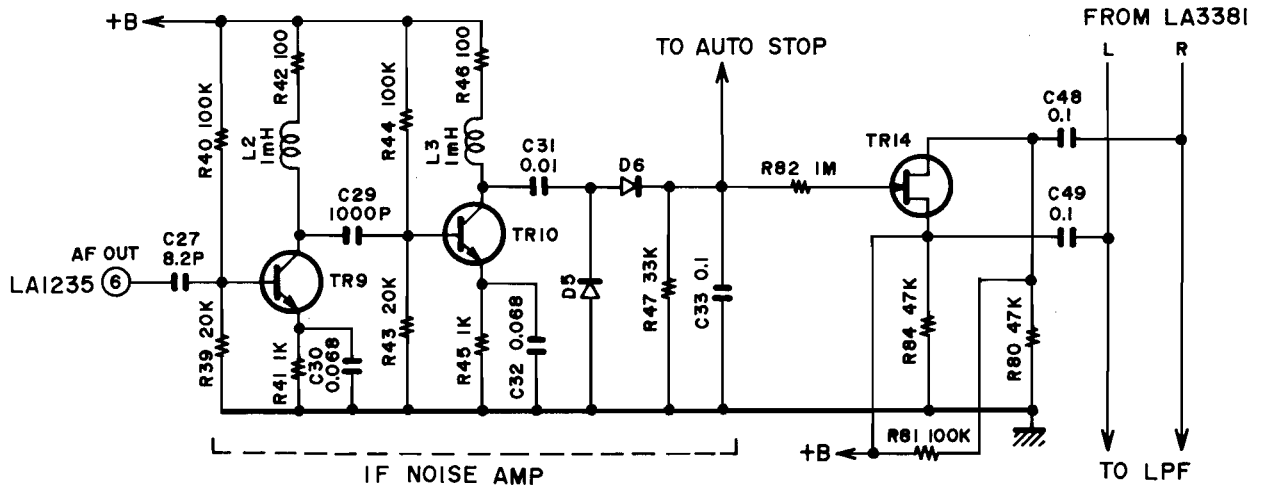


Fig. 8

The noise amplifier is a narrow-band amplifier that amplifies the frequency component of more than 100 kHz, and transforms the output into DC.

To prevent the noise containing a high-band component from increasing at the time of weak electric field, the gate potential of FET is controlled by amplifying the noise and transforming it into DC. Thus, the L-R separation can be deteriorated intentionally to reduce the noise.

6. AUTO STOP SIGNAL DETECTING CIRCUIT

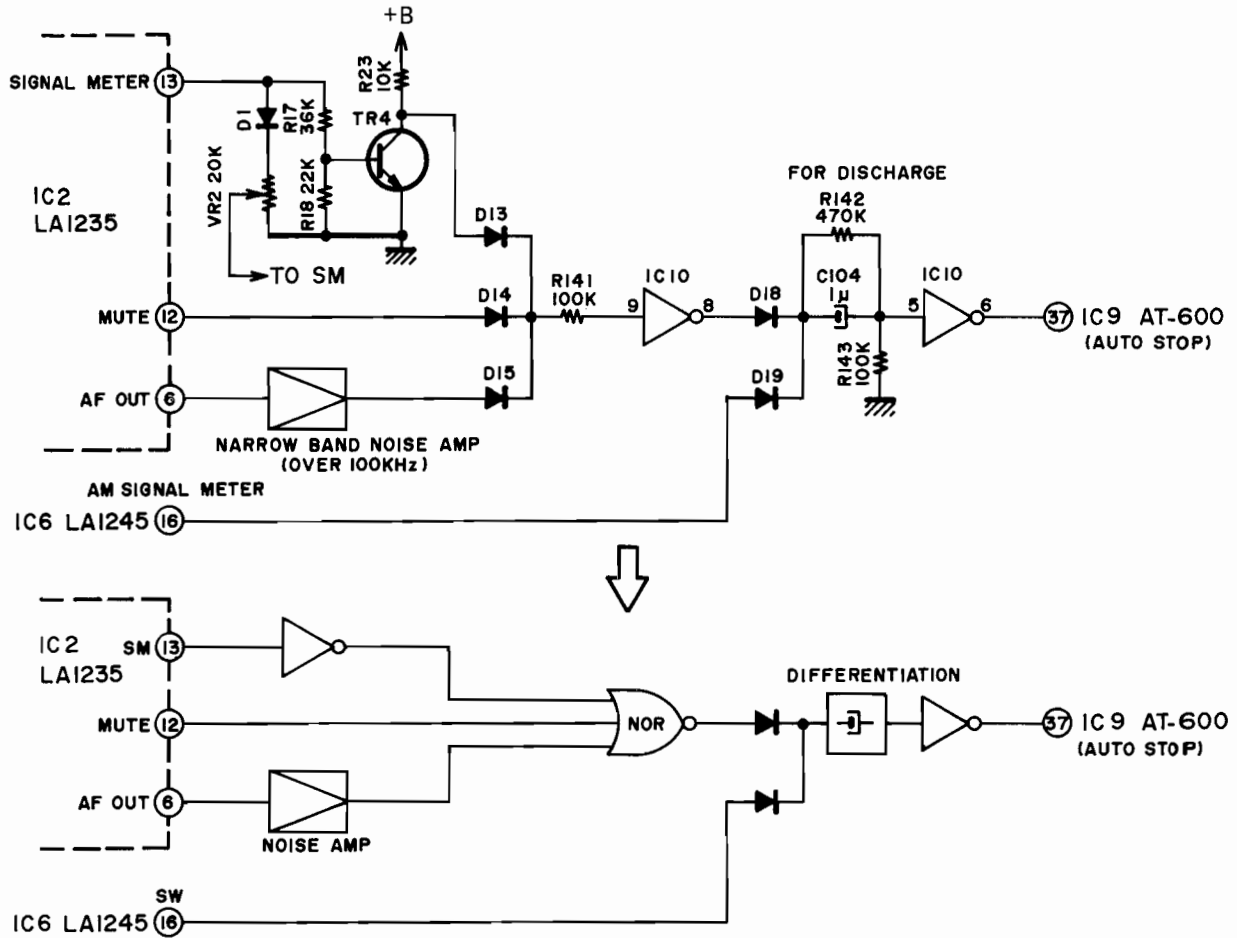


Fig. 9

- 1) During scanning in FM mode IC2 ⑬ is "L" and IC2 ⑫ is "H", and the output of Noise Amp. becomes "H" due to the detuning noise. Since NOR Gate consisting of diode and inverter performs "H" output only when all the inputs are "L", the present output is "L". If a broadcast is received, ⑬ becomes "H", ⑫ becomes "L" and the output of Noise Amp. becomes "L" since detuning noise disappears. Therefore, all the inputs of NOR Gate becomes "L" and the output becomes "H". "H" output of NOR Gate is differentiated and reversed to make ⑳ terminal of IC9 (AT-600) "L" and stop scanning. IC6 ⑯ is always "L" in FM mode. Auto Stop Signal in AM mode uses the signal meter output of IC6 ⑯. IC6 ⑯ is "H" at the time of broadcast reception and is "L" on other occasions. Since IC2 ⑬ is always "H" in AM mode, the output of NOR Gate is "L".

7. KEY MATRIX

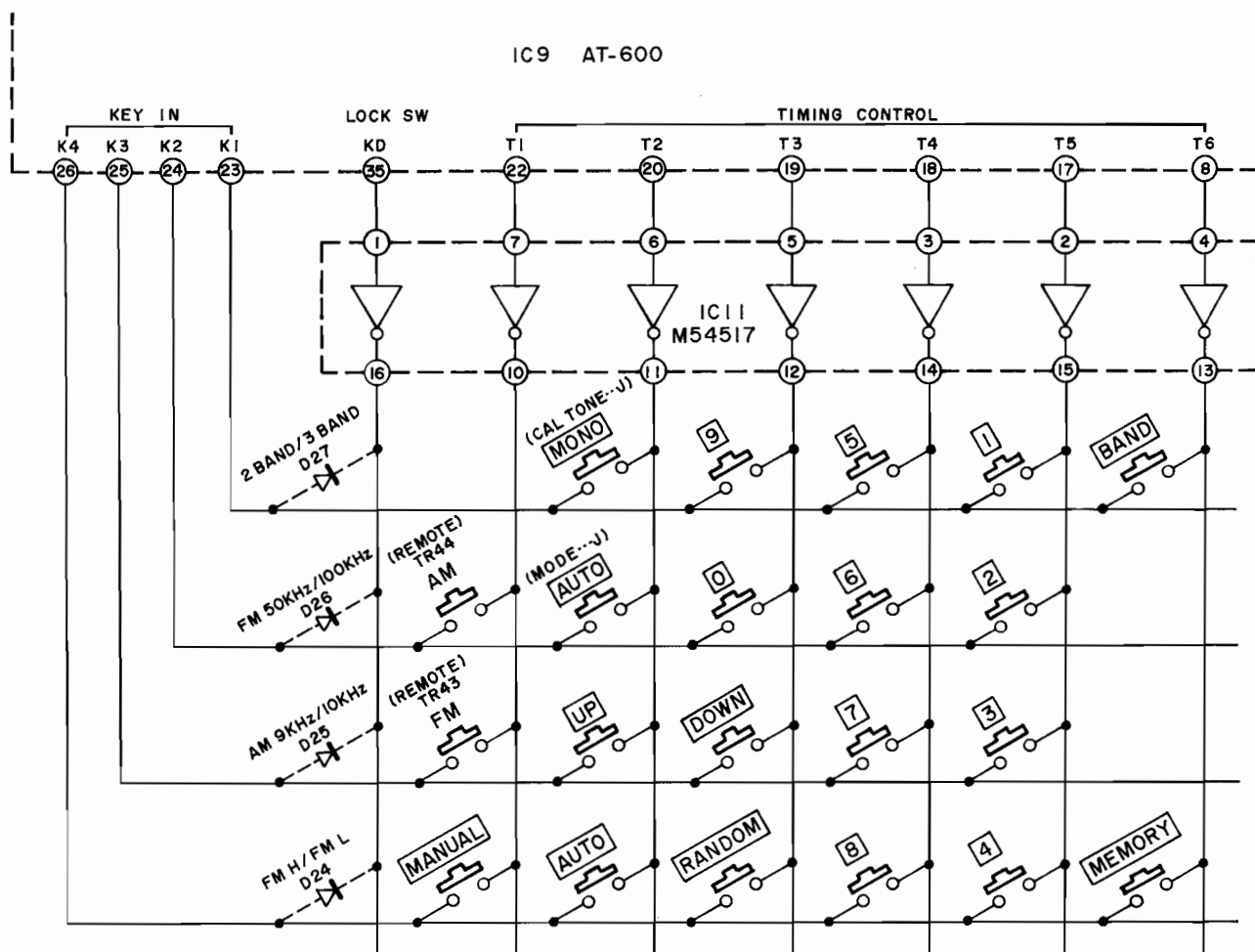


Fig. 10

| Destination | AM | FM | Connected Diode |
|-------------|---|-----------------------------------|-----------------|
| J | 522 ~ 1611 kHz (9 kHz STEP) | 76.00 ~ 90.00 MHz (100 kHz STEP) | D24 |
| C, A | 530 ~ 1610 kHz (10 kHz STEP) | 87.40 ~ 108.10 MHz (100 kHz STEP) | D25, D26 |
| U, E, S, V | 522 ~ 1611 kHz (9 kHz STEP) | 87.40 ~ 108.10 MHz (50 kHz STEP) | None |
| L BAND | LW 137 ~ 362 kHz (10 kHz STEP) MW 522 ~ 1611 kHz (9 kHz STEP) | 87.40 ~ 108.10 MHz (50 kHz STEP) | D27 |

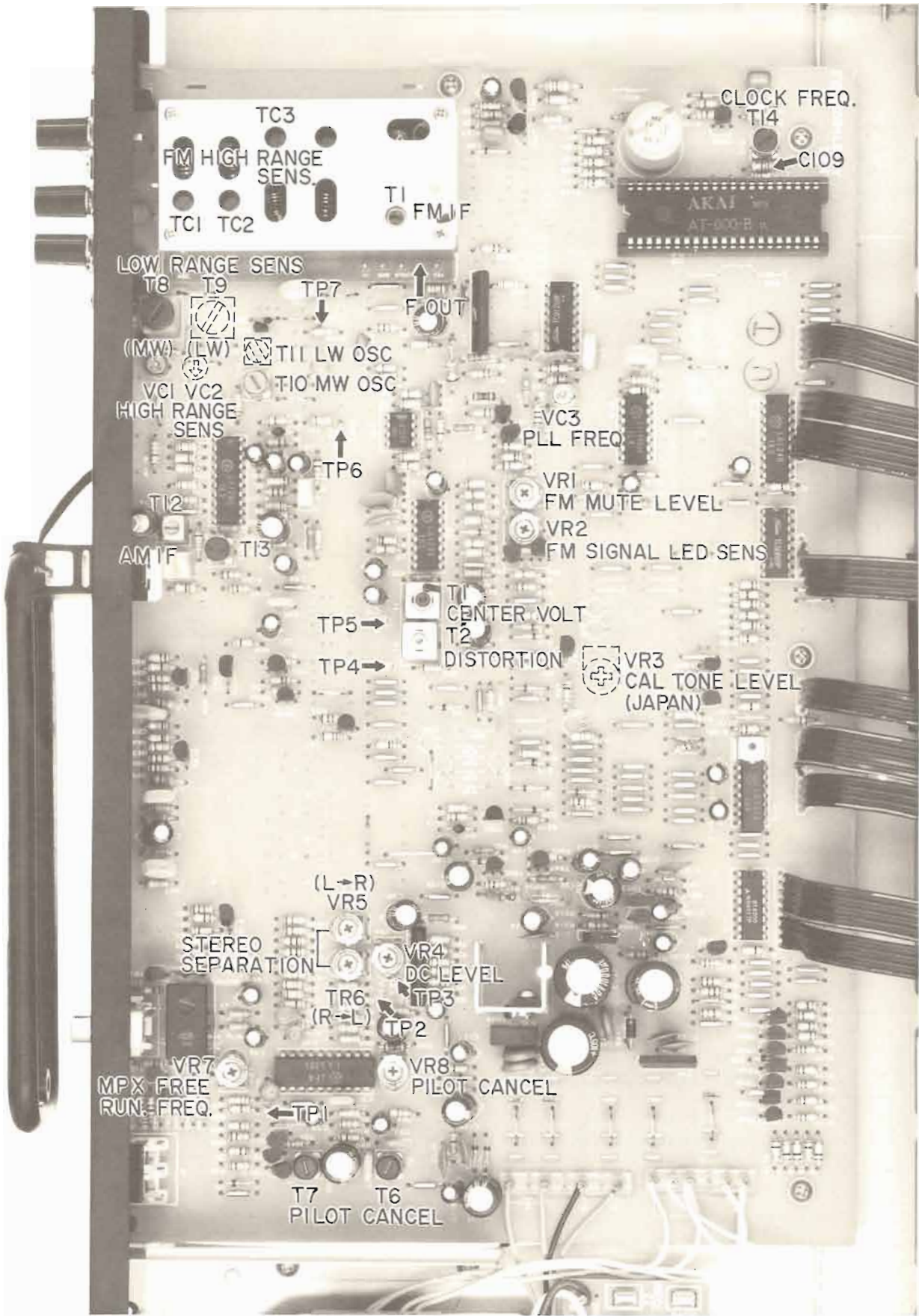


Fig. 11 Tuner P.C Board

VII. ELECTRICAL ADJUSTMENT

AT-S61/L/J

1. AM (AT-S61L: MW) SECTION ADJUSTMENT (Refer to Fig. 4)

Unless otherwise specified, use the adjustment points provided on the Tuner P.C Board. (Fig. 4)

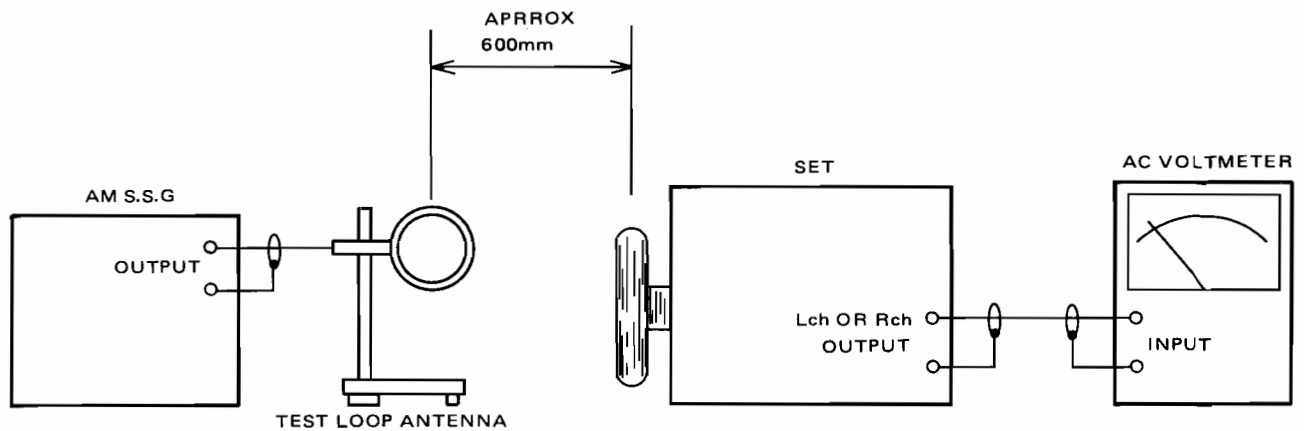


Fig. 12 Instrument Connections for AM Section Adjustment

| STEP | ADJUSTMENT ITEM | ADJUSTMENT POINT | RESULT | REMARKS |
|------|------------------------|------------------------|---|--|
| 1 | Clock Frequency | T14 (BLK) | 420 kHz | Connect a Frequency Counter between C109 (IC9 Pin 28) and GND on the Tuner P.C Board. |
| 2 | PLL Frequency | VC3 | Digital Display Indicating Frequency +10.7 MHz | BAND switch to FM. Connect a Frequency Counter between F. OUT and GND on the FRONT END. |
| 3 | AM (MW) OSC | T10 (RED) | 705 kHz | BAND switch to AM (MW). Short TP7 to GND and connect a Frequency Counter between TP6 and GND on the Tuner P.C Board. |
| 4 | OP. AMP. DC Level | VR4 | 4.80V | BAND switch to AM (MW). Connect a DC Voltmeter between TP3 and GND on the Tuner P.C Board. |
| 5 | AM IF Coil | T12 (YLW) T13 (BLK) | Maximum Output | 1,000 kHz (1,008 kHz), 50 dB, 400 Hz (30%) input. |
| 6 | Low Range Sensitivity | T8 | Maximum Output Distortion Factor: Less than 10% | 600 kHz (603 kHz), 55 dB, 400 Hz (30%) input. |
| 7 | High Range Sensitivity | VC1 | Maximum Output Distortion Factor: Less than 10% | 1,400 kHz (1,404 kHz), 55 dB, 400 Hz (30%) input. |
| 8 | | | | Readjust in Steps 6 and 7. |

2. LW SECTION ADJUSTMENT (AT-S61L only)

| STEP | ADJUSTMENT ITEM | ADJUSTMENT POINT | RESULT | REMARKS |
|------|------------------------|------------------|---|--|
| 1 | LW OSC | T11 | 525 kHz | BAND switch to LW. Short TP5 to GND and connect a Frequency Counter between TP6 and GND on the Tuner P.C Board. |
| 2 | Low Range Sensitivity | T9 | Maximum Output Distortion Factor: Less than 10% | 164 kHz, 50 dB, 400 Hz (30%) input. (Refer to Fig. 5) |
| 3 | High Range Sensitivity | VC2 | Maximum Output Distortion Factor: Less than 10% | 308 kHz, 50 dB, 400 Hz (30%) input. (Refer to Fig. 5) |

3. FM SECTION ADJUSTMENT

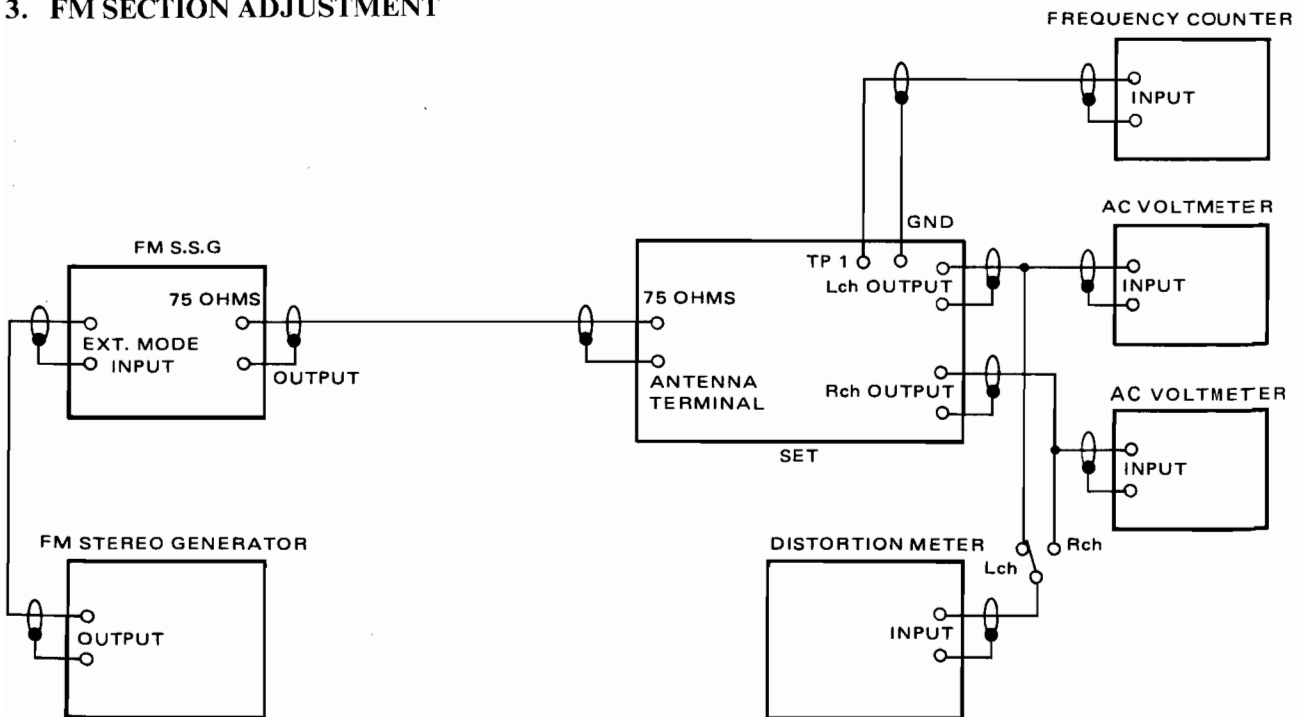


Fig. 13 Instruments Connection for FM Section Adjustment

| STEP | ADJUSTMENT ITEM | ADJUSTMENT POINT | RESULT | REMARKS |
|------|---|--------------------------------|--------------------------------------|--|
| 1 | FM IF Coil | T1 (BLK) (Front End) | Maximum Noise Level | BAND switch to FM, and MODE to MONO. Tunes only noise without interference from broadcasting. |
| 2 | Center Voltage | T1 | Centered Tuning Meter Indication | Connect a Center Tuning Meter between TP4 and TP5 (See Note 1). Tunes only noise without interference from broadcasting. |
| 3 | Distortion Factor | T2 | Distortion Factor: Less than 0.2% | 98 MHz (84 MHz), 60 dB, 1 kHz (Mono 100%) input Less than 0.2% in both channels. |
| 4 | | | | Readjust in Steps 2 and 3. |
| 5 | MPX Free Running Frequency | VR7 | 76 kHz \pm 50 Hz | Connect a Frequency Counter between TP1 and GND on the Tuner P.C Board. |
| 6 | High Range Sensitivity | TC1, TC2 TC3 (Front End) | Distortion Factor: Less than 3% | MODE switch to MONO. 108 MHz (88 MHz), Less than 6 dB, 1 kHz, (MONO) input. |
| 7 | Confirmation of Low Range Sensitivity | | Distortion Factor: Less than 3% | 88 MHz (76 MHz), Less than 6 dB, 1 kHz, (MONO) input. (See Notes 2, 3) |
| 8 | Pilot Signal Cancel | VR8 (T6, T7) | Minimum Output | MODE switch to STEREO. 98 MHz (84 MHz), 60 dB (Stereo), Pilot signal only input. |
| 9 | Stereo Separation (Left \rightarrow Right) | VR5 | More than 45 dB | 98 MHz (84 MHz), 60 dB, 1 kHz (Stereo 100%) Lch input. Minimum Output of Rch. |
| 10 | Stereo Separation (Right \rightarrow Left) | VR6 | More than 45 dB | 98 MHz (84 MHz), 60 dB, 1 kHz (Stereo 100%) Rch input. Minimum output of Lch. |
| 11 | Confirmation of Stereo Distortion Factor | | Distortion Factor: Less than 0.3% | 98 MHz (84 MHz), 60 dB, 1 kHz (Stereo 100%) input. If distortion exceeds 0.5%, first check according to Steps 2, 3, 5, 9 and 10, and then readjust according to Step 1. |
| 12 | Signal LED Sensitivity | VR2 | | 98 MHz (84 MHz), 40 dB input Adjust VR2 to a point where 5th LED of SIGNAL LED light up. (See Note 4) |
| 13 | Muting Level | VR1 | 20 dB \pm 6 dB | MODE switch to STEREO. 98 MHz, 20 dB, 1 kHz (Mono 100%) input. Adjust VR1 until the output signal is reduced to zero. Vary the SSG output by \pm 6 dB and check muting operation. |
| 14 | CAL TONE Level | VR3 | 275 mV | AT-S61J only. |

VIII. CLASSIFICATION OF VARIOUS P.C BOARDS

1. P.C BOARD TITLES AND IDENTIFICATION NUMBERS

1) Model AT-S61

| P.C BOARD TITLE | P.C BOARD NUMBER | NOTES |
|---------------------|------------------|------------|
| TUNER P.C Board | A3027A501A | U |
| TUNER P.C Board | A3027A502A | E, V, S |
| TUNER P.C Board | A3027A503A | C, A |
| OPERATION P.C Board | A3027A501B | U |
| OPERATION P.C Board | A3027A502B | E, V, S |
| OPERATION P.C Board | A3027A503B | C, A |
| POWER P.C Board | A2013D5044 | U |
| POWER P.C Board | A3027D5040 | C, A, E, S |
| POWER P.C Board | A3033D509B | V |
| FILTER P.C Board | A3033D509A | V |

2) Model AT-S61L

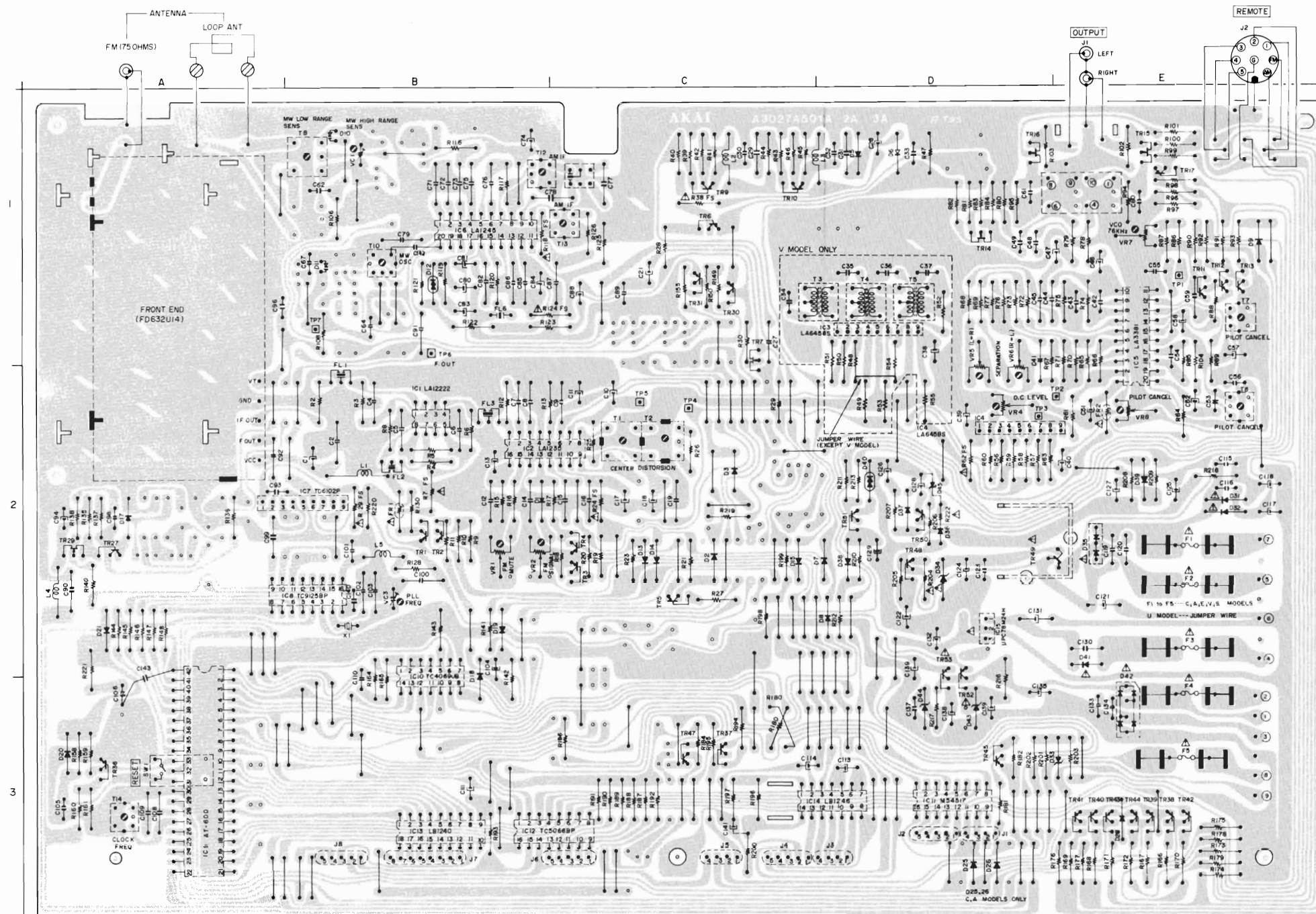
| P.C BOARD TITLE | P.C BOARD NUMBER | NOTES |
|---------------------|------------------|-------|
| TUNER P.C Board | A3027A502A | |
| OPERATION P.C Board | A3027D502B | |
| POWER P.C Board | A3027D5050 | |

3) Model AT-S61J

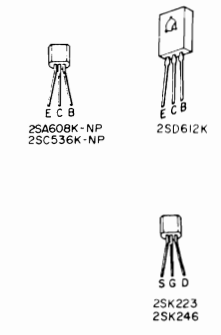
| P.C BOARD TITLE | P.C BOARD NUMBER | NOTES |
|---------------------|------------------|-------|
| TUNER P.C Board | A3027A501A | |
| OPERATION P.C Board | A3027A501B | |
| POWER P.C Board | A3027D5060 | |

2. COMPOSITION OF VARIOUS P.C BOARDS

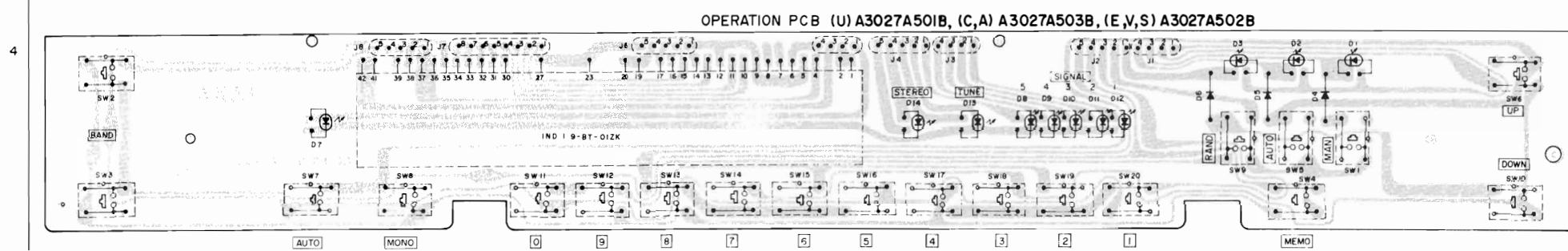
1) Model AT-S61 Tuner P.C Board A3027A501A (U), A3027A502A (E, V, S), A3027A503A (C, A) and Operation P.C Board A3027A501B (U), A3027A502B (E, V, S), A3027A503B (C, A)



- LOCATION OF IC & TR B TERMINAL
- | | | |
|----------------|-------------|-------------|
| TR1,2--B2 | IC1,2--B2 | J1 to 3--D3 |
| TR3 to 5--C2 | IC4--D2 | J4 to 6--C3 |
| TR6,7,9,10--C1 | IC5--E1 | J7,8--B3 |
| TR11 to 13--E1 | IC6--B1 | J9--C3 |
| TR14--D1 | IC7--A2 | |
| TR15--E1 | IC8--B2 | |
| TR16--D1 | IC9--A3 | |
| TR17--E1 | IC10--B2 | |
| | IC11--D3 | |
| | IC12,13--B3 | |
| | IC14--D3 | |
| | IC15--D2 | |
-
- | |
|----------------|
| TR30,31--C1 |
| TR36--A3 |
| TR37--C3 |
| TR38 to 44--E3 |
| TR45--D3 |
| TR46,47--C3 |
| TR48--D2 |
| TR49--E2 |
| TR50,51--D2 |
| TR52,53--D3 |
-
- | |
|------------------------------|
| TR1,6,17--25A608K-NP (E,F,G) |
| TR2 to 5--25C536K-NP (F,G) |
| TR7,14 to 16--25K246 (Y) |
| TR9 to 13--25C536K-NP (F,G) |
-
- | |
|--------------------------------------|
| TR26,27,31 to 44 |
| 48,51,52--25C536K-NP (F,G) |
| TR30,40,46,47,50--25A608K-NP (E,F,G) |
| TR40,53--25D612K (D,E,F) |
| TR28,29--25K223 (F) |



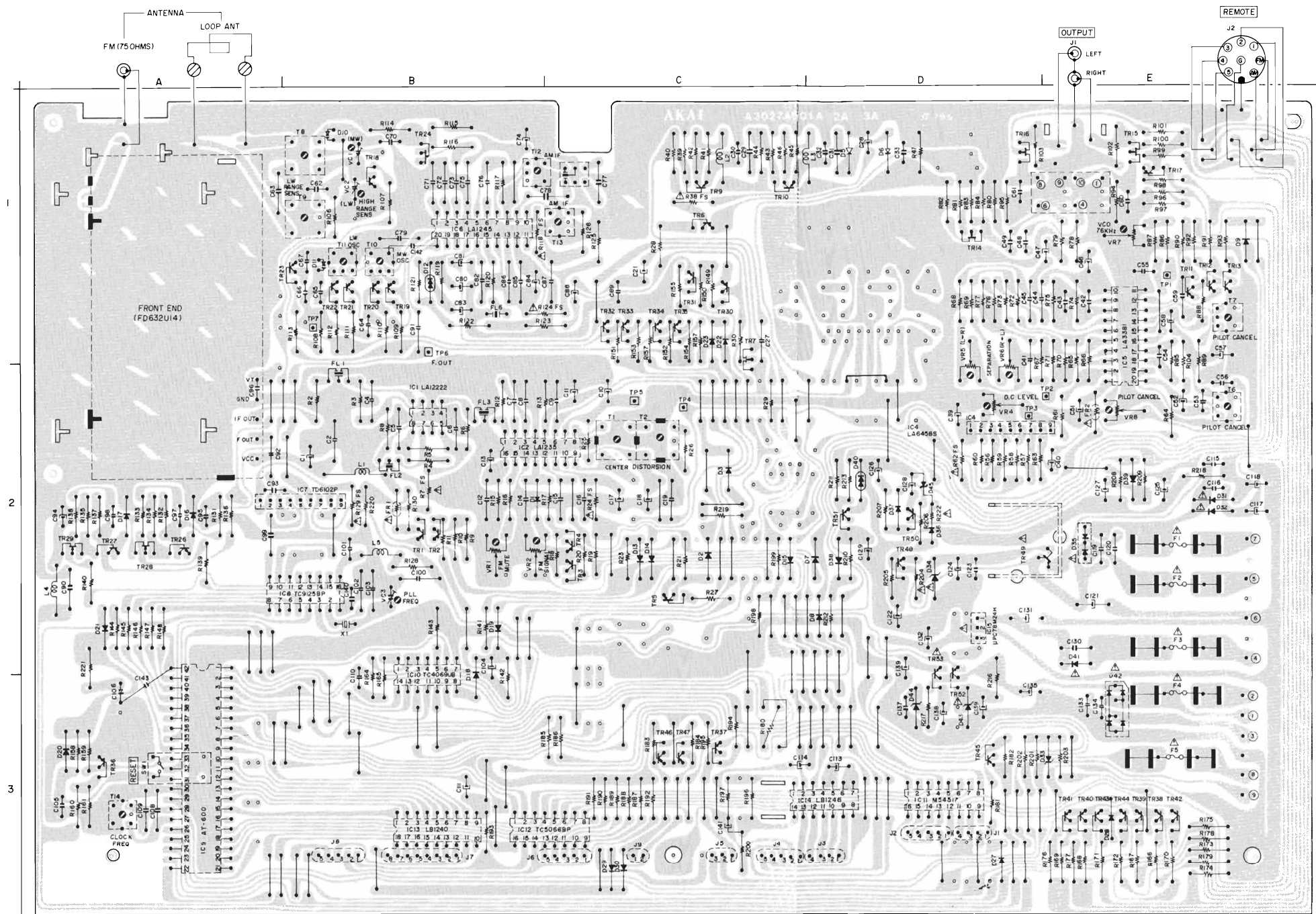
TUNER PCB (U)A3027A501A, (C,A) A3027A503A, (E,V,S) A3027A502A



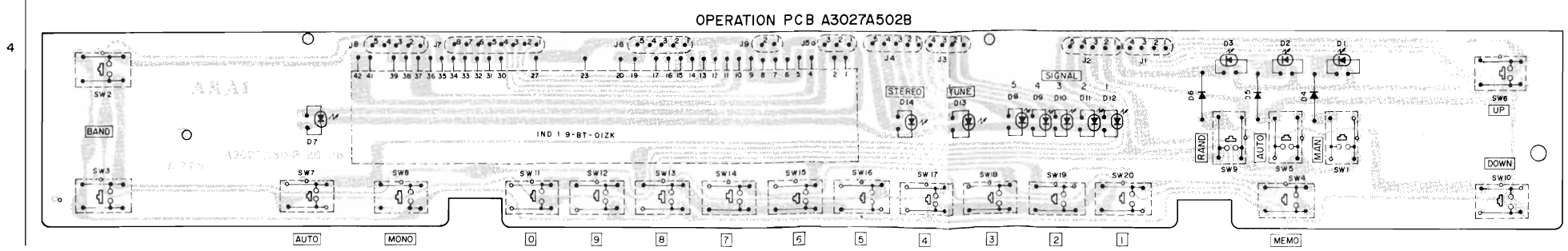
OPERATION PCB (U) A3027A501B, (C,A) A3027A503B, (E,V,S) A3027A502B

WARNING: ⚠ INDICATES SAFETY CRITICAL COMPONENTS FOR CONTINUED SAFETY, REPLACE SAFETY CRITICAL COMPONENTS ONLY WITH MANUFACTURER'S RECOMMENDED PARTS
 AVERTISSEMENT: ⚠ IL INDIQUE LES COMPOSANTS CRITIQUES DE SÛRETÉ POUR MAINTENIR LE DEGRÉ DE SÛRETÉ DE L'APPAREIL. NE REMPLACER LES COMPOSANTS DONT LE FONCTIONNEMENT EST CRITIQUE POUR LA SÛRETÉ QUE PAR DES PIÈCES RECOMMANDÉES PAR LE FABRICANT

2) Model AT-S61L Tuner P.C Board A3027A502A and Operation P.C Board A3027A502B



TUNER PCB A3027A502A(E)

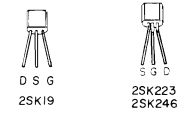
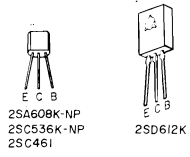


OPERATION PCB A3027A502B

LOCATION OF IC & TR & TERMINAL

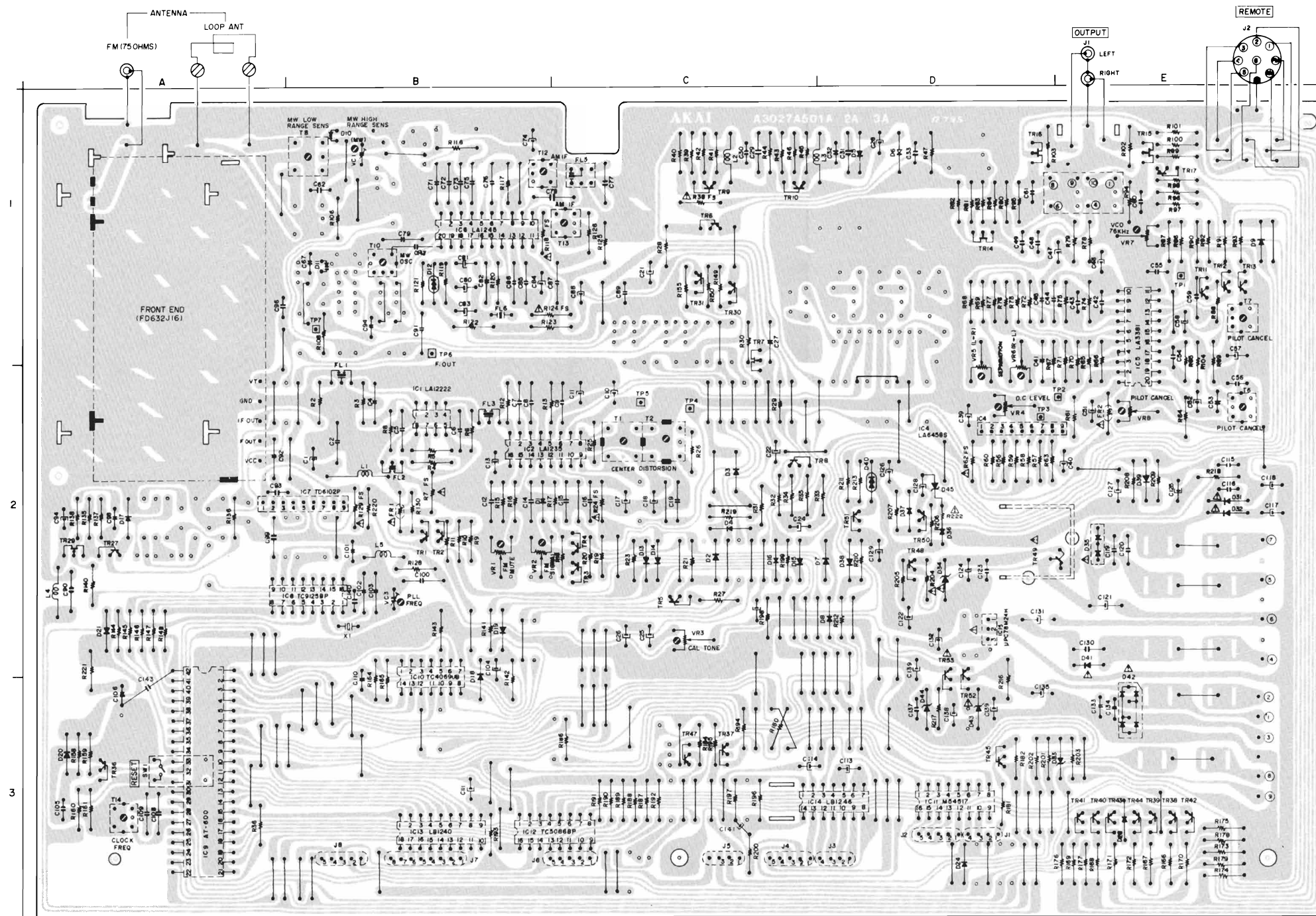
| | | |
|----------------|-------------|-------------|
| TR1,2--B2 | IC1,2--B2 | J1 to 3--D3 |
| TR3 to 5--C2 | IC4--D2 | J4 to 6--C3 |
| TR6,7,9,10--C1 | IC5--E1 | J7,8--B3 |
| TR11 to 13--E1 | IC6--B1 | J9--C3 |
| TR14--D1 | IC7--A2 | |
| TR15--E1 | IC8--B2 | |
| TR16--D1 | IC9--A3 | |
| TR17--E1 | IC10--B2 | |
| TR18 to 23--B1 | IC11--D3 | |
| TR24--B1 | IC12,13--B3 | |
| TR26 to 29--A2 | IC14--D3 | |
| TR30 to 35--C1 | IC15--D2 | |
| TR36--A3 | | |
| TR37--C3 | | |
| TR38 to 44--E3 | | |
| TR45--D3 | | |
| TR46,47--C3 | | |
| TR48--D2 | | |
| TR49--E2 | | |
| TR50,51--D2 | | |
| TR52,53--D3 | | |

- TR1,6,17---2SA608K-NP(E,F,G)
- TR2 to 5---2SC536K-NP(F,G)
- TR7,14 to 16---2SK246(Y)
- TR9 to 13,18,23---2SC536K-NP(F,G)
- TR19 to 22---2SA608K-NP(E,F,G)
- TR24---2SK19(Y)
- TR26,27,31 to 44
- 48,51,52---2SC536K-NP(F,G)
- TR30,45,46,47,50---2SA608K-NP(E,F,G)
- TR49,53---2SD612K(D,E,F)
- TR28,29---2SK223(F)

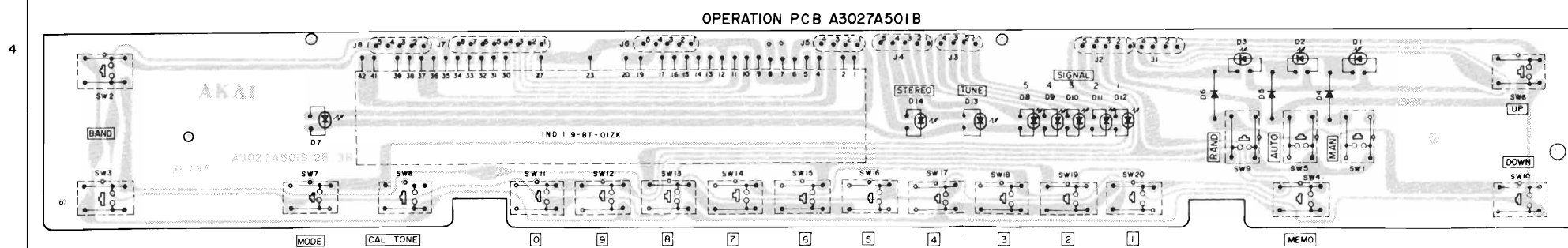


WARNING: Δ INDICATES SAFETY CRITICAL COMPONENTS. FOR CONTINUED SAFETY, REPLACE SAFETY CRITICAL COMPONENTS ONLY WITH MANUFACTURER'S RECOMMENDED PARTS.
 AVERTISSEMENT: Δ IL INDIQUE LES COMPOSANTS CRITIQUES DE SÛRETÉ. POUR MAINTENIR LE DEGRÉ DE SÛRETÉ DE L'APPAREIL, NE REMPLACEZ LES COMPOSANTS DONT LE FONCTIONNEMENT EST CRITIQUE POUR LA SÛRETÉ QUE PAR DES PIÈCES RECOMMANDÉES PAR LE FABRICANT.

3) Model AT-S61J Tuner P.C Board A3027A501A and Operation P.C Board A3027A501A



TUNER PCB A3027A501A(U)

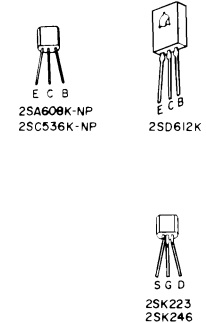


OPERATION PCB A3027A501B

LOCATION OF IC & TR & TERMINAL

| | | |
|----------------|-------------|-------------|
| TR1,2--B2 | IC1,2--B2 | J1 to 3--D3 |
| TR3 to 5--C2 | IC4--D2 | J4 to 6--C3 |
| TR6,7,9,10--C1 | IC5--E1 | J7,8--B3 |
| TR11 to 13--E1 | IC6--B1 | |
| TR14--D1 | IC7--A2 | |
| TR15--E1 | IC8--B2 | |
| TR16--D1 | IC9--A3 | |
| TR17--E1 | IC10--B2 | |
| TR18--C2 | IC11--D3 | |
| TR27--A2 | IC12,13--B3 | |
| TR29--A6 | IC14--D3 | |
| TR30,31--C1 | IC15--D2 | |
| TR36--A3 | | |
| TR37--C3 | | |
| TR38 to 44--E3 | | |
| TR45--D3 | | |
| TR47--C3 | | |
| TR48--D2 | | |
| TR50,51--D2 | | |
| TR52,53--D3 | | |

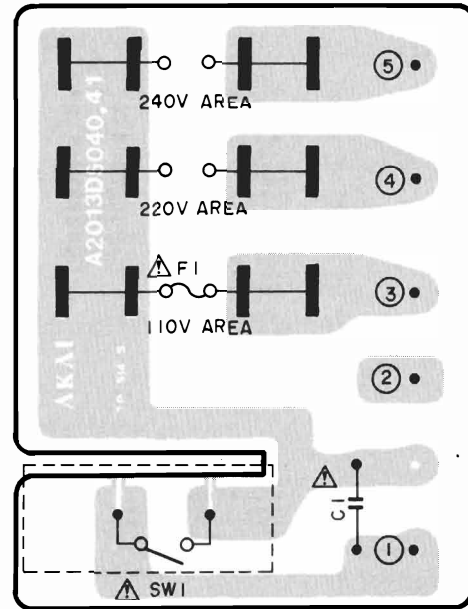
TR1,6,17---25A608K-NP(E,F,G)
 TR2 to 5---28C36K-NP(F,G)
 TR7,8,4 to 16---28K246(Y)
 TR9 to 13---28C36K-NP(F,G)
 TR27,36 to 44,51,52---25C36K-NP(F,G)
 TR29---25K23(F)
 TR30,45,47,50---25A608K-NP(E,F,G)
 TR53---25D612K(D,E,F)



WARNING: Δ INDICATES SAFETY CRITICAL COMPONENTS. FOR CONTINUED SAFETY, REPLACE SAFETY CRITICAL COMPONENTS ONLY WITH MANUFACTURER'S RECOMMENDED PARTS.
 AVERTISSEMENT: Δ IL INDIQUE LES COMPOSANTS CRITIQUES DE SÛRETÉ. POUR MAINTENIR LE DEGRÉ DE SÛRETÉ DE L'APPAREIL, NE REMPLACER LES COMPOSANTS DONT LE FONCTIONNEMENT EST CRITIQUE, POUR LA SÛRETÉ QUE PAR DES PIÈCES RECOMMANDÉES PAR LE FABRICANT.

4) Model AT-S61 Power P.C Board A2013D5044 (U)

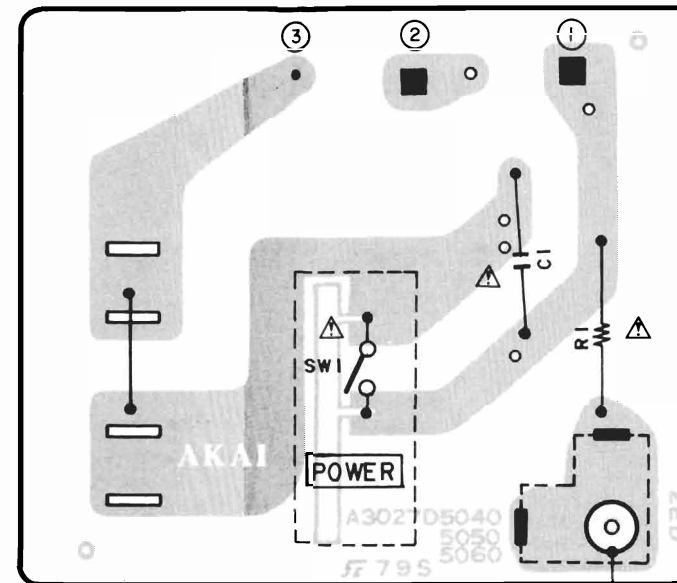
POWER PCB (U) A2013D5044



U
AC 110V to 240V
50/60Hz

5) Model AT-S61 Power P.C Board (C, A) A3027D5040

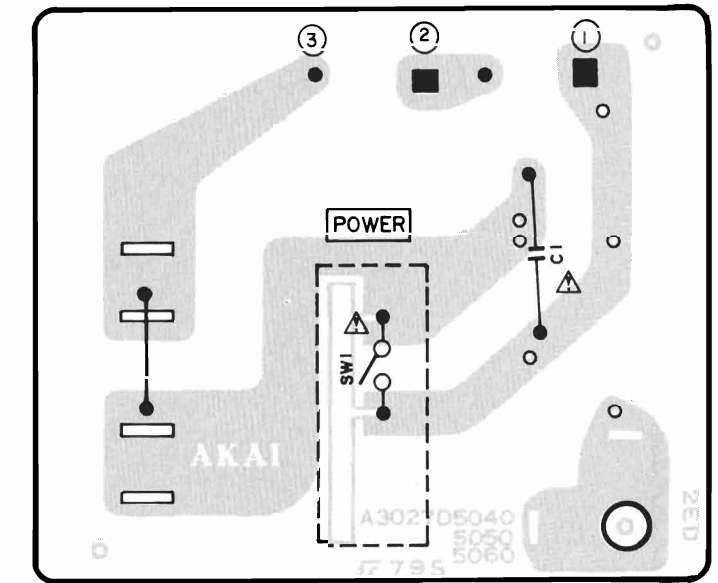
C, A AC 120V 60Hz



POWER PCB A3027D5040

6) Model AT-S61/L Power P.C Board (E, S) A3027D5040

S AC 240V 50Hz
E AC 220V 50Hz

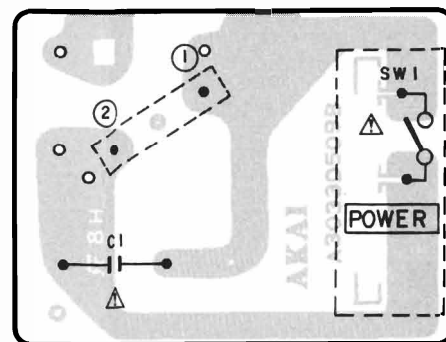


POWER PCB A3027D5040

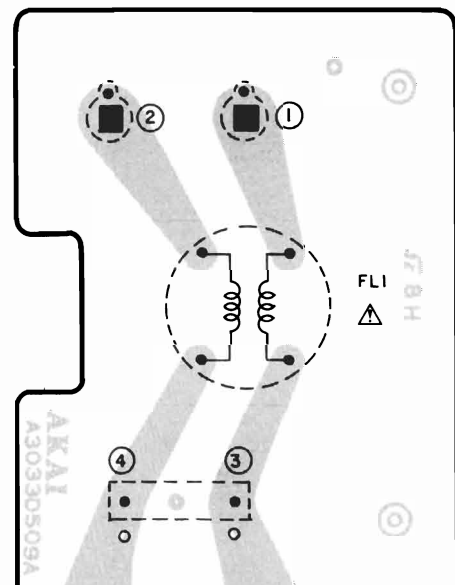
WARNING: Δ INDICATES SAFETY CRITICAL COMPONENTS FOR CONTINUED SAFETY. REPLACE SAFETY CRITICAL COMPONENTS ONLY WITH MANUFACTURER'S RECOMMENDED PARTS.
AVERTISSEMENT: Δ IL INDIQUE LES COMPOSANTS CRITIQUES DE SÛRETÉ. POUR MAINTENIR LE DEGRÉ DE SÛRETÉ DE L'APPAREIL, NE REMPLACER LES COMPOSANTS DONT LE FONCTIONNEMENT EST CRITIQUE POUR LA SÛRETÉ QUE PAR DES PIÈCES RECOMMANDÉES PAR LE FABRICANT.

7) Model AT-S61 Power P.C Board A3033D509B and Filter P.C Board A3033D509A (V Model)

FILTER PCB A3033D509A



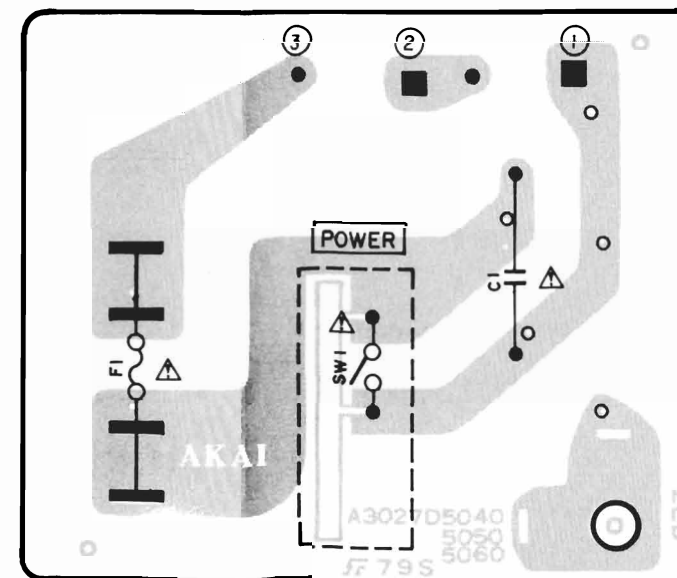
POWER PCB A3033D509B



V
AC 220V 50Hz

8) Model AT-S61L Power P.C Board A3027D5050

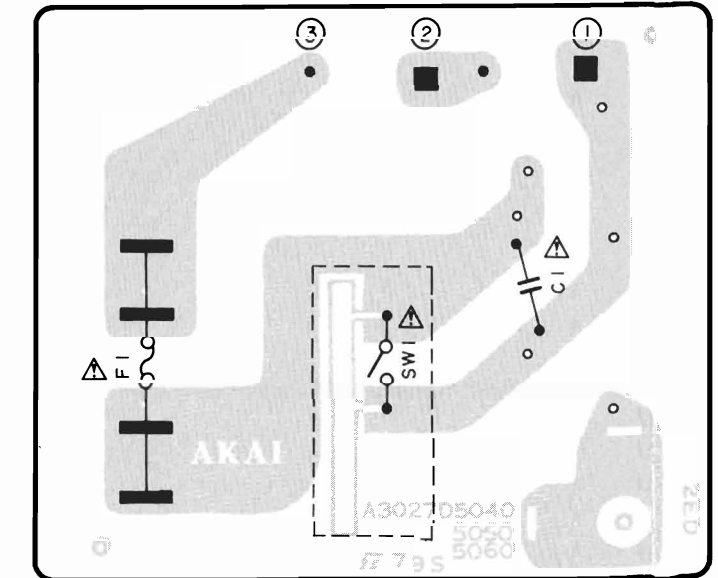
B AC 240V 50Hz



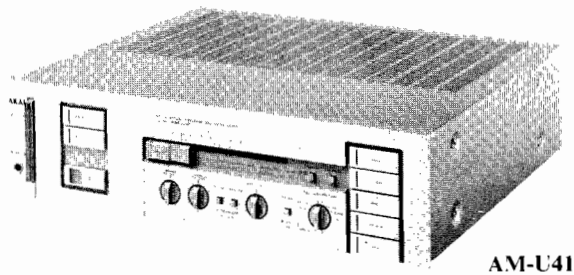
POWER PCB A3027D5050

9) Model AT-S61J Power P.C Board A3027D5060

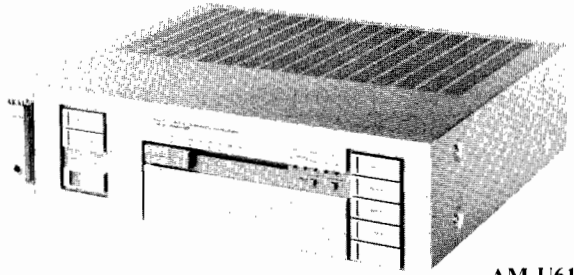
J AC 100V 50/60Hz



POWER PCB A3027D5060



AM-U41



AM-U61

SECTION 2

SERVICE MANUAL

MODEL AM-U41, AM-U61

TABLE OF CONTENTS

| | | |
|-------------|--|-----------|
| I. | SPECIFICATIONS | 26 |
| | 1) MODEL AM-U41 | 26 |
| | 2) MODEL AM-U61 | 27 |
| II. | DISMANTLING OF UNIT (AM-U41/61) | 28 |
| II. | CONTROLS | 29 |
| | 1) MODEL AM-U41 | 29 |
| | 2) MODEL AM-U61 | 30 |
| IV. | PRINCIPAL PARTS LOCATION..... | 31 |
| | 1) MODEL AM-U41 | 31 |
| | 2) MODEL AM-U61 | 32 |
| V. | VOLTAGE CONVERSION (U/T ONLY)..... | 33 |
| VI. | DC OFF-SET VOLTAGE ADJUSTMENT (AM-U61 ONLY) | 33 |
| VII. | CLASSIFICATION OF VARIOUS P.C BOARDS | 34 |
| | 1) P.C BOARD TITLES AND IDENTIFICATION NUMBERS..... | 34 |
| | 1-1) MODEL AM-U41 | 34 |
| | 1-2) MODEL AM-U61 | 35 |
| | 2) COMPOSITION OF VARIOUS P.C BOARD | 36 |

For basic adjustments, measuring methods, and operating principles, refer to GENERAL TECHNICAL MANUAL.

I. SPECIFICATIONS

AM-U41

1. MODEL AM-U41

| | | |
|---|--|---|
| RATED POWER OUTPUT (2 CHANNELS DRIVEN) 20 to 20,000 Hz 1,000 Hz 1 kHz, 0.7% (DIN) | 8 ohms 55W × 2/0.007% 60W × 2/0.007% 65W × 2 | 4 ohms 60W × 2/0.01% 65W × 2/0.01% 70W × 2 |
| POWER BANDWIDTH (IHF -3 dB, 8 OHMS) | 5 Hz to 70 kHz (0.05%) | |
| SIGNAL TO NOISE RATIO (IHF-A) PHONO (MM/MC) TUNER, TAPE, AUX | 86/67 dB 103 dB | |
| RESIDUAL NOISE (8 OHMS, IHF-A) | 110 μV | |
| CHANNEL SEPARATION | 60 (1 kHz)/60 (40 Hz)/50 (10 kHz) dB | |
| DAMPING FACTOR (8 OHMS) | 60 (1 kHz)/60 (40 Hz)/52 (12.5 kHz) | |
| OUTPUT REQUIRED SPEAKER IMPEDANCE | A, B 4 to 16 ohms A + B: 8 to 16 ohms | |
| INPUT SENSITIVITY/IMPEDANCE PHONO MM PHONO MC TUNER, TAPE, AUX | 2.5 mV/47 kohms 0.25 mV/100 ohms 150 mV/47 kohms | |
| OUTPUT LEVEL/IMPEDANCE TAPE REC | 150 mV/1 kohm | |
| FREQUENCY RESPONSE PHONO (RIAA DEVIATION) TUNER, AUX, TAPE | ± 0.2 dB 5 Hz to 100 kHz (-2 dB) | |
| TONE CONTROL BASS TREBLE | ± 8 dB (100 Hz) ± 8 dB (10 kHz) | |
| LOUDNESS CONTROL (VOLUME SET AT -30 dB POSITION) | +10 dB (100 Hz) +6 dB (10 kHz) | |
| SUBSONIC FILTER | -6 dB/Oct at 18 Hz | |
| PHONO MAX. INPUT (1 kHz) MM MC | 250 mV 25 mV | |
| POWER REQUIREMENTS | 100V, 50/60 Hz for Japan 120V, 60 Hz for U.S.A. and Canada 220V, 50 Hz for Europe except UK 240V, 50 Hz for UK and Australia 110V/220V/240V, 50/60 Hz switchable for other countries | |
| POWER CONSUMPTION | 250W (U) 150W (J) 170W (A) 270W (C) 440W (B, S) 410W (E, V) | |
| DIMENSIONS | 440 (W) × 120 (H) × 397 (D) mm (17.3 × 4.7 × 15.6 inches) | |
| WEIGHT | 10.4 kg (22.9 lbs) | |

* For improvement purposes, specifications and design are subject to change without notice.

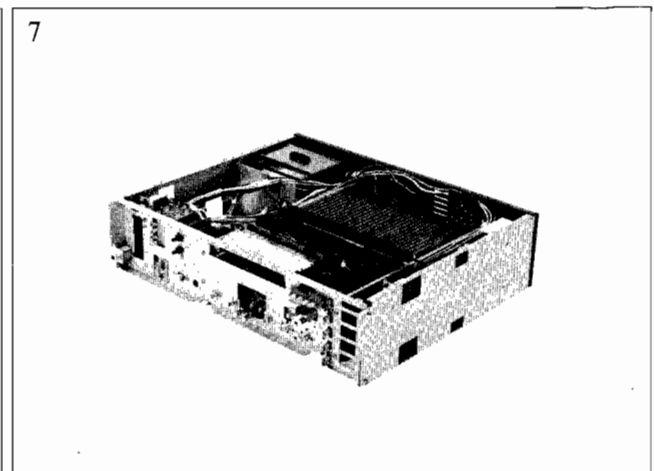
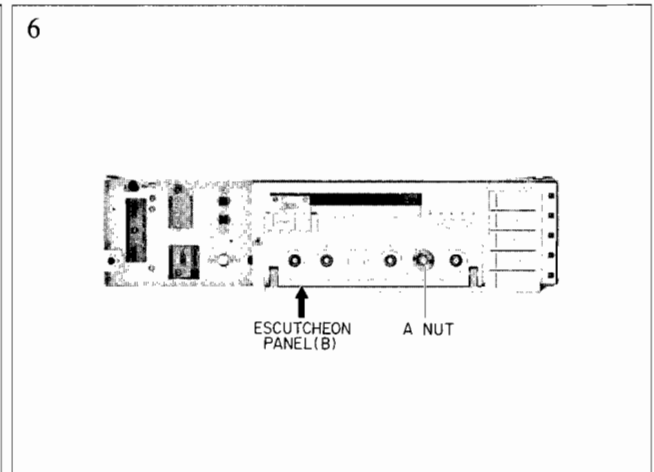
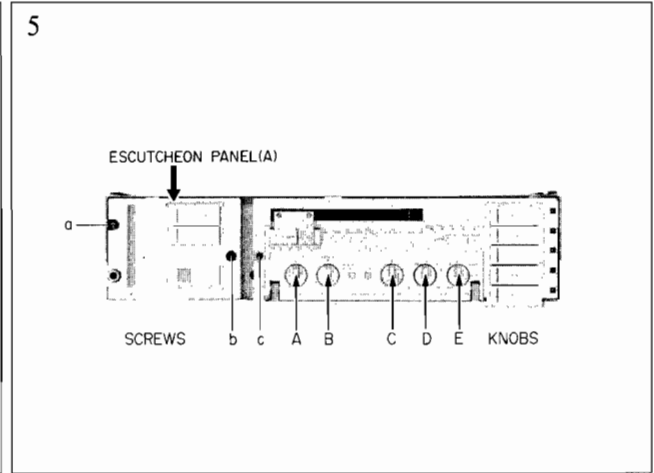
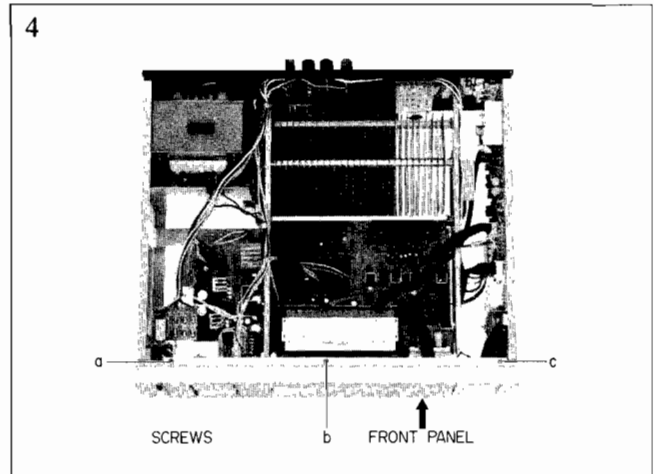
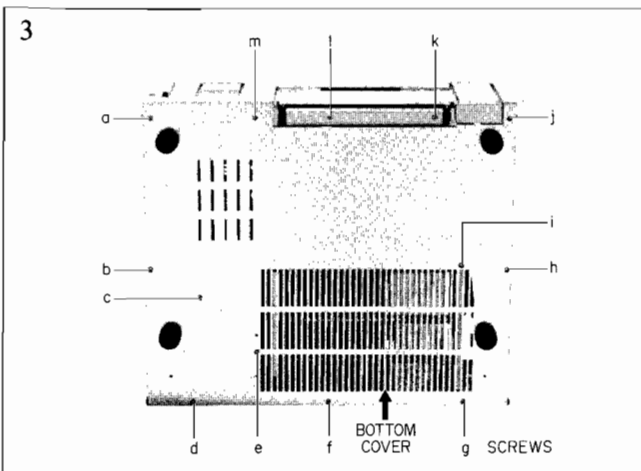
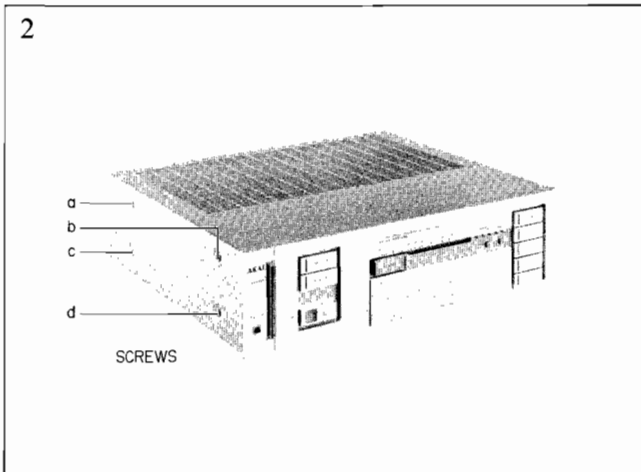
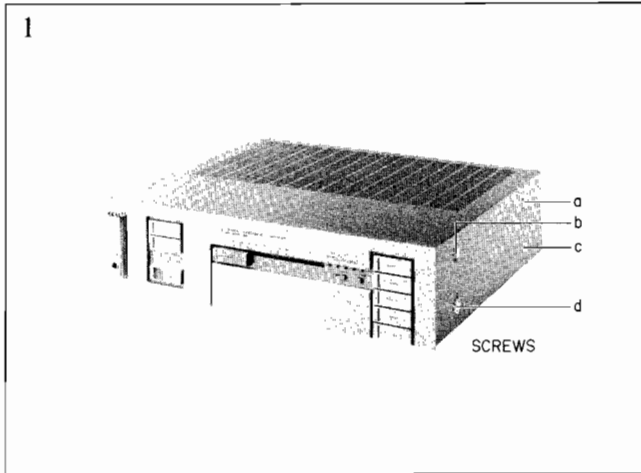
1. MODEL AM-U61

| | | |
|---|--|--|
| RATED POWER OUTPUT (2 CHANNELS DRIVEN) 20 to 20,000 Hz 1,000 Hz 1 kHz, 0.7% (DIN) | 8 ohms 75W × 2/0.007% 85W × 2/0.007% 88W × 2 | 4 ohms 85W × 2/0.01% 85W × 2/0.01% 100W × 2 |
| POWER BANDWIDTH (IHF -3 dB, 8 OHMS) | 5 Hz to 70 kHz (0.05%) | |
| SIGNAL TO NOISE RATIO (IHF-A) PHONO (MM/MC) TUNER, TAPE, AUX | 86/67 dB 103 dB | |
| RESIDUAL NOISE (8 OHMS, IHF-A) | 110 μV | |
| CHANNEL SEPARATION | 60 (1 kHz)/60 (40 Hz)/50 (10 kHz) dB | |
| DAMPING FACTOR (8 OHMS) | 60 (1 kHz)/60 (40 Hz)/52 (12.5 kHz) | |
| OUTPUT REQUIRED SPEAKER IMPEDANCE | A, B 4 to 16 ohms A + B: 8 to 16 ohms | |
| INPUT SENSITIVITY/IMPEDANCE PHONO MM PHONO MC TUNER, AUX, TAPE PLAY | 2.5 mV/33, 47, 100 kohms (switchable) 0.25 mV/100 ohms 150 mV/47 kohms | |
| OUTPUT LEVEL/IMPEDANCE TAPE REC | 150 mV/1 kohm | |
| FREQUENCY RESPONSE PHONO (RIAA DEVIATION) TUNER, AUX, TAPE PLAY | ± 0.2 dB 5 Hz to 100 kHz (-2 dB) | |
| TONE CONTROL BASS TREBLE | ± 8 dB (100 Hz) ± 8 dB (10 kHz) | |
| LOUDNESS CONTROL (VOLUME SET AT -30 dB POSITION) | +10 dB (100 Hz) +6 dB (10 kHz) | |
| SUBSONIC FILTER | -6 dB/Oct at 18 Hz | |
| PHONO MAX. INPUT (1 kHz) MM MC | 250 mV 25 mV | |
| POWER REQUIREMENTS | 100V, 50/60 Hz for Japan 120V, 60 Hz for U.S.A. and Canada 220V, 50 Hz for Europe except UK 240V, 50 Hz for UK and Australia 110V/220V/240V, 50/60 Hz switchable for other countries | |
| POWER CONSUMPTION | 300W (U) 200W (J) 220W (A) 350W (C) 650W (B, S) 550W (E, V) | |
| DIMENSIONS | 440 (W) × 120 (H) × 397 (D) mm (17.3 × 4.7 × 15.6 inches) | |
| WEIGHT | 12 kg (26.4 lbs) | |

* For improvement purposes, specifications and design are subject to change without notice.

II. DISMANTLING OF UNIT

In case of trouble, etc. necessitating dismantling, please dismantle in the order shown in the photographs. Reassemble in reverse order.



1) MODEL AM-U41

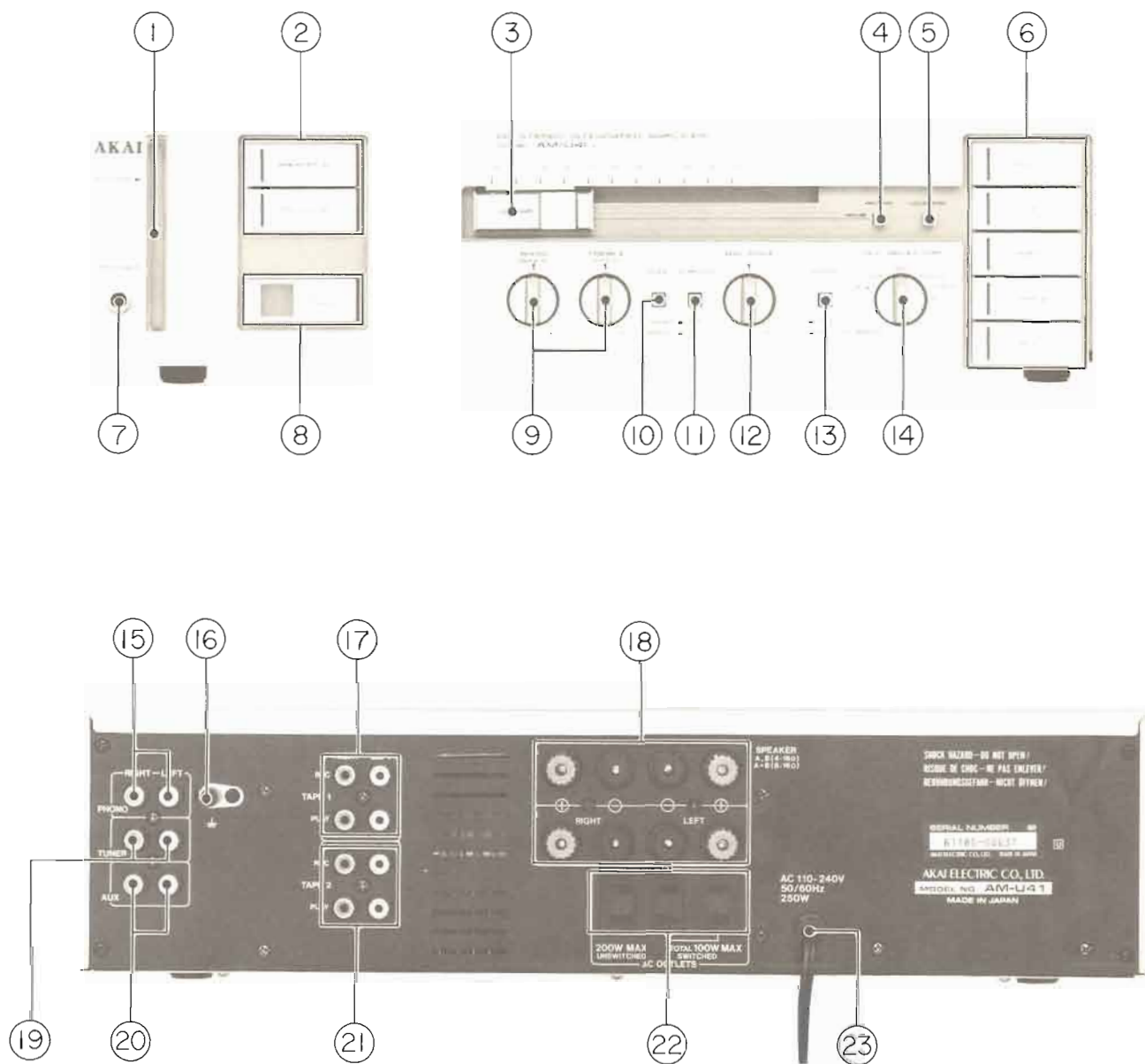


Fig. 1 Controls

- | | |
|---|--|
| 1. POWER SWITCH | 13. PHONO SELECTOR |
| 2. SPEAKER SWITCHES WITH INDICATORS | 14. RECORDING (REC) SELECTOR |
| 3. VOLUME CONTROL | 15. PHONO JACKS |
| 4. MUTING BUTTON | 16. GROUND TERMINAL (\perp) |
| 5. LOUDNESS BUTTON | 17. TAPE 1 REC/PLAY JACKS |
| 6. INPUT SWITCHES WITH INDICATORS | 18. A AND B SPEAKER SYSTEM TERMINALS |
| 7. HEADPHONE JACK (PHONES) | 19. TUNER JACKS |
| 8. LINE STRAIGHT SWITCH WITH INDICATOR | 20. AUX JACKS |
| 9. TONE CONTROLS | 21. TAPE 2 REC/PLAY JACKS |
| 10. MODE SELECTOR | 22. AC OUTLETS (SOME MODELS ARE NOT EQUIPPED WITH THIS FACILITY.) |
| 11. SUBSONIC SWITCH | 23. POWER CORD |
| 12. STEREO BALANCE CONTROL (L: LEFT, R: RIGHT) | |

2) MODEL AM-U61

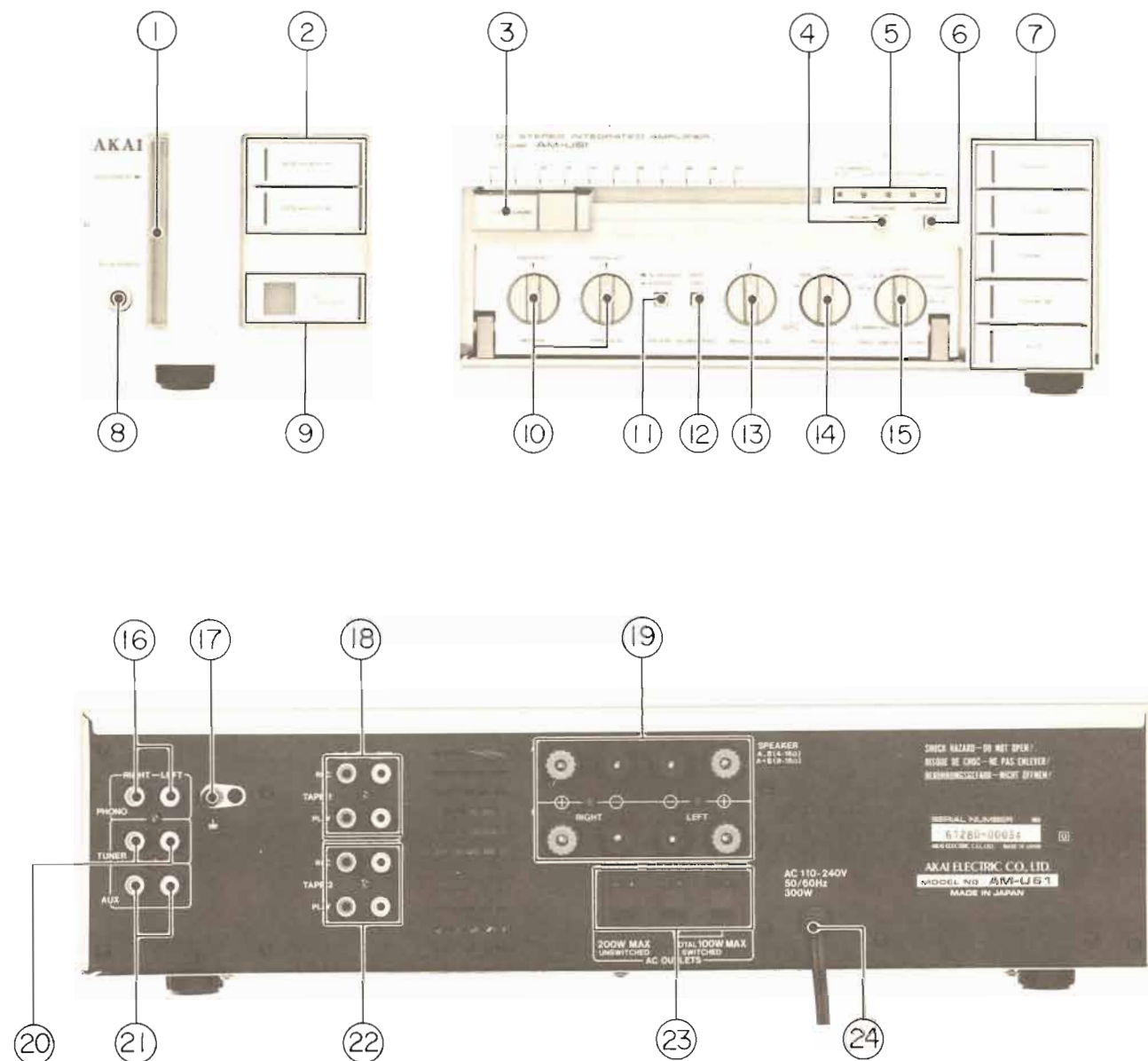


Fig. 2 Controls

- | | |
|---|--|
| 1. POWER SWITCH | 14. PHONO SELECTOR |
| 2. SPEAKERS SWITCHES WITH INDICATORS | 15. RECORDING (REC) SELECTOR |
| 3. VOLUME CONTROL | 16. PHONO JACKS |
| 4. MUTING BUTTON | 17. GROUND TERMINAL (\perp) |
| 5. RECORDING (REC) INDICATORS | 18. TAPE 1 REC/PLAY JACKS |
| 6. LOUDNESS BUTTON | 19. A AND B SPEAKER SYSTEM TERMINALS |
| 7. INPUT SWITCHES WITH INDICATORS | 20. TUNER JACKS |
| 8. HEADPHONE JACK (PHONES) | 21. AUX JACKS |
| 9. LINE STRAIGHT SWITCH WITH INDICATOR | 22. TAPE 2 REC/PLAY JACKS |
| 10. TONE CONTROLS | 23. AC OUTLETS (SOME MODELS ARE NOT EQUIPPED WITH THIS FACILITY.) |
| 11. MODE SELECTOR | 24. POWER CORD |
| 12. SUBSONIC SWITCH | |
| 13. STEREO BALANCE CONTROL (L: LEFT, R: RIGHT) | |

IV. PRINCIPAL PARTS LOCATION

AM-U41

1) MODEL AM-U41

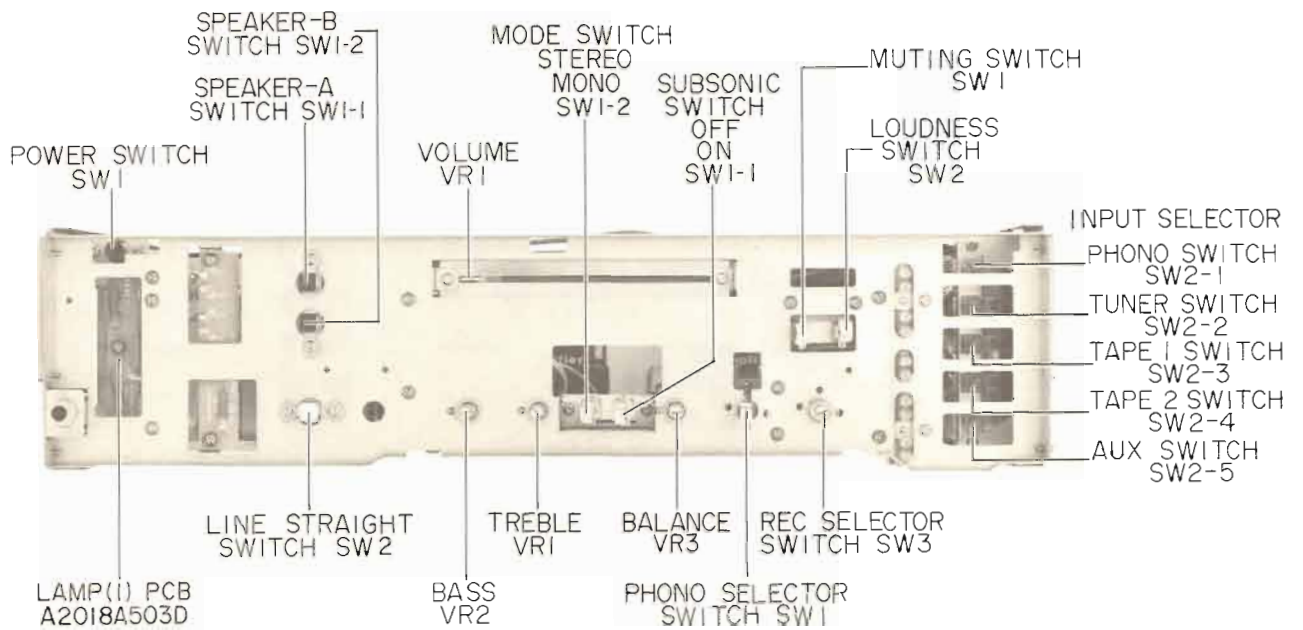


Fig. 3 Front View

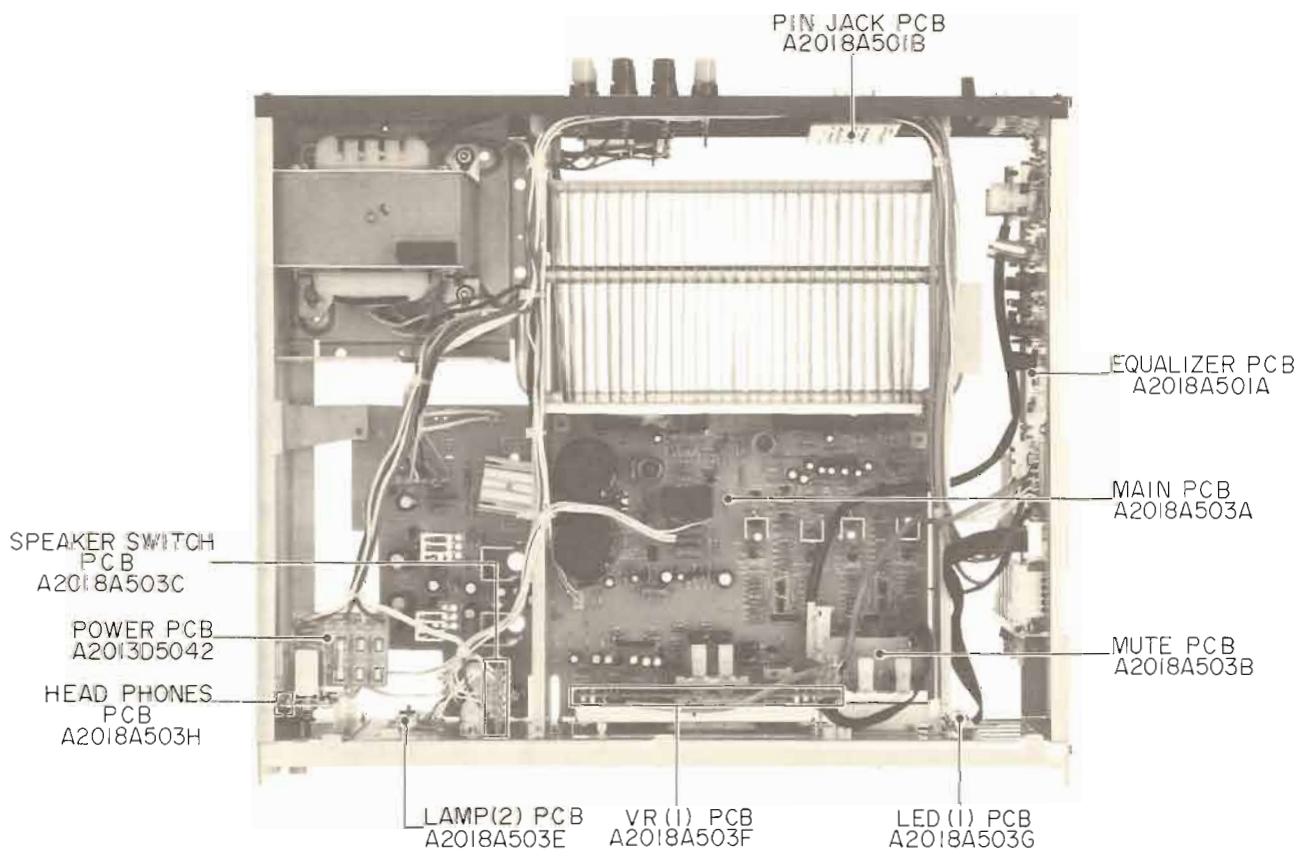


Fig. 4 Top View

2) MODEL AM-U61

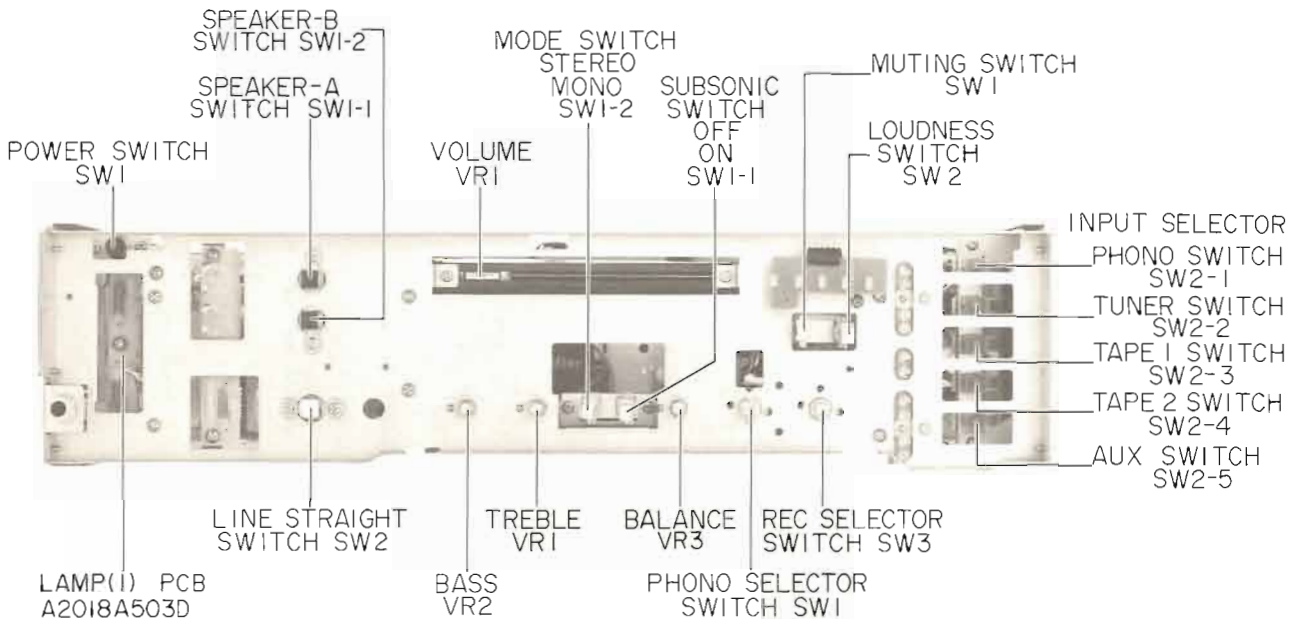


Fig. 5 Front View

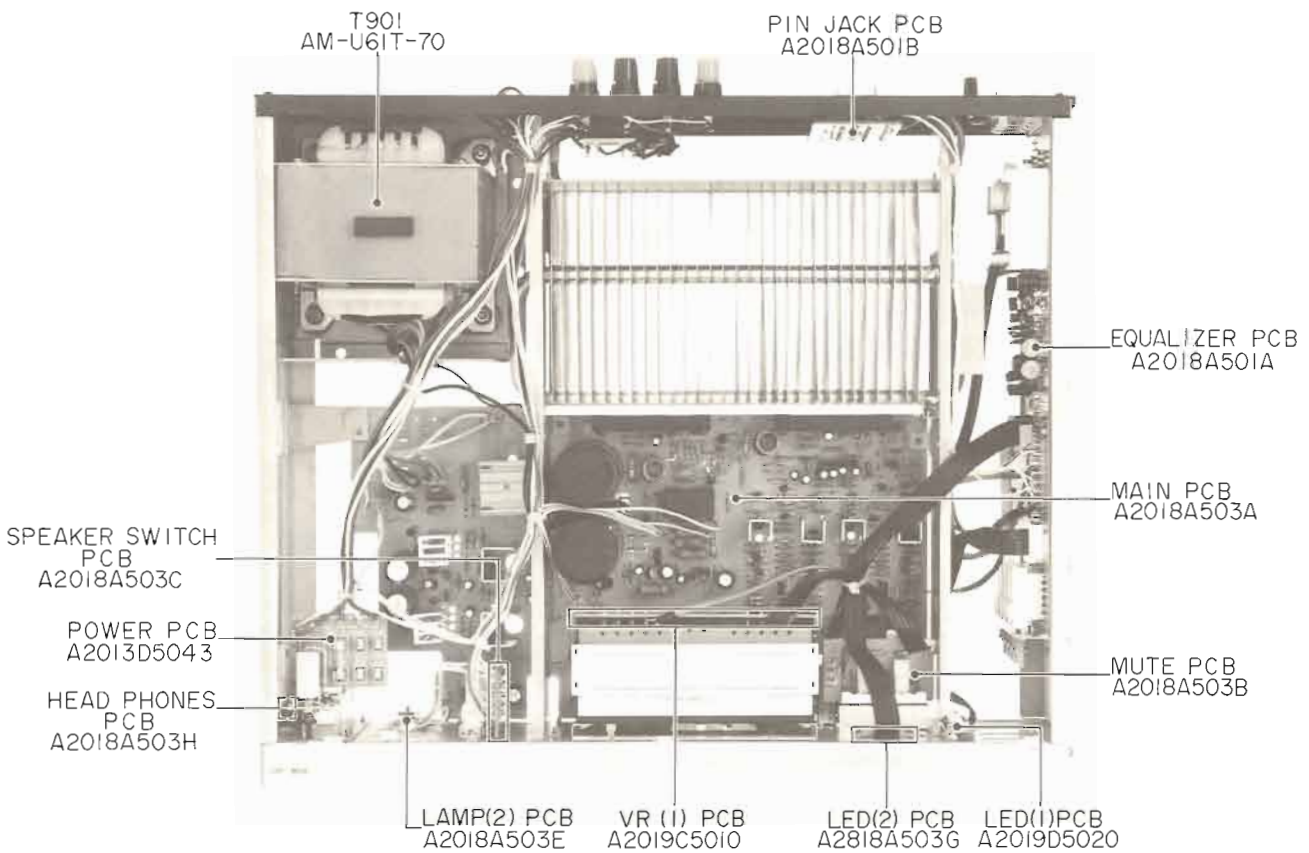


Fig. 6 Top View

V. VOLTAGE CONVERSION (U/T ONLY)

AM-U41, AM-U61

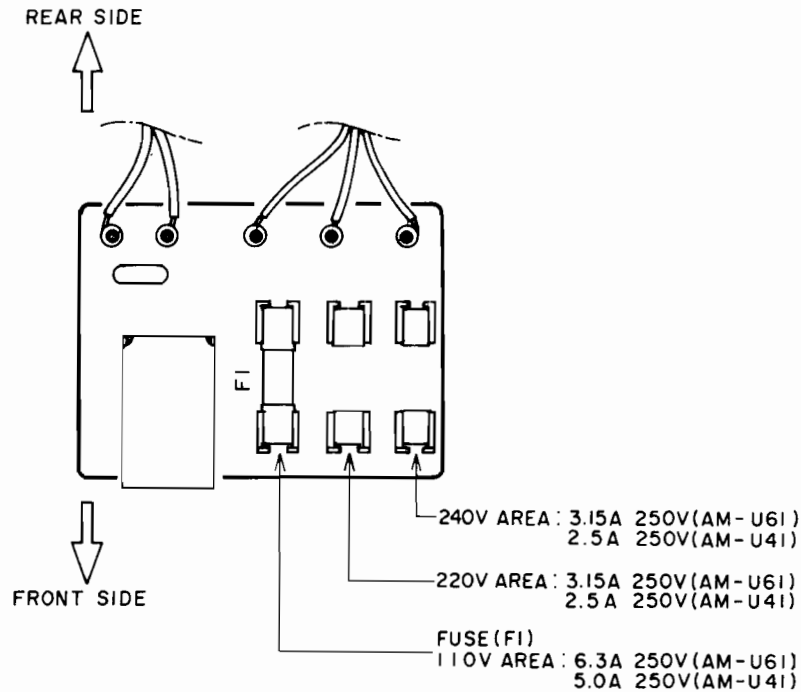


Fig. 7 Voltage Conversion (U Model only)

Models for JAPAN, Canada, U.S.A. Europe, UK and Australia are not equipped with this facility.

Each machine is preset at the factory according to destination, but some machines can be set to 220V or 240V as required.

If voltage change is necessary, this can be accomplished

as follows.

- 1) Disconnect the AC power cord.
- 2) Loosen holding screws and remove upper case.
- 3) Remove existing line voltage fuse in proper fuse holder, explicitly following instructions printed on the rear panel.

VI. DC OFF-SET VOLTAGE ADJUSTMENT (AM-U61 ONLY)

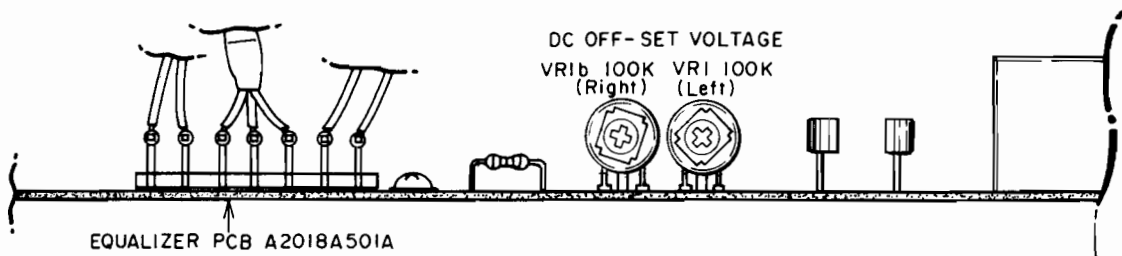


Fig. 8 Equalizer P.C Board A2018A501A

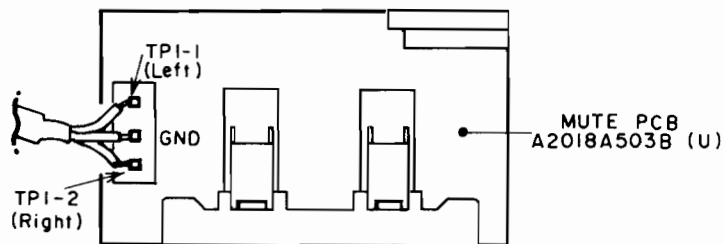


Fig. 9 Mute P.C.B A2018A503B

Set INPUT selector switch to PHONO and PHONO selector switch to MC position. Connect digital voltmeter (or DC voltmeter) to TP1-1 (Left), TP1-2 (Right). Adjust

the VR1 (Left), VR1b (Right) on the Equalizer P.C Board so that the voltmeter reads 0 ± 1 mV.

VII. CLASSIFICATION OF VARIOUS P.C BOARDS

AM-U41

1. P.C BOARD TITLES AND IDENTIFICATION NUMBERS

1) MODEL AM-U41

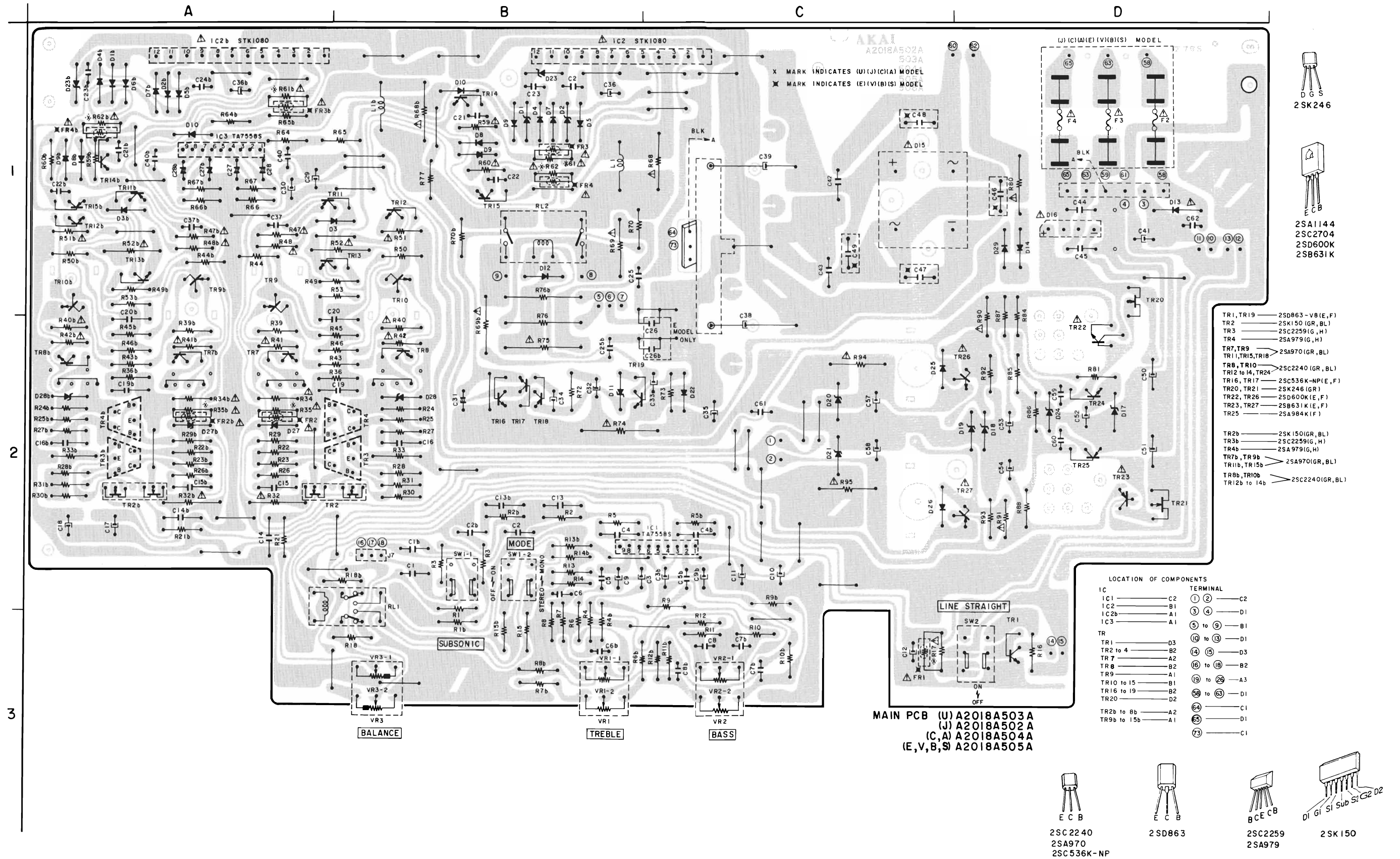
| P.C Board Title | P.C Board Number |
|--------------------------------|------------------|
| POWER P.C Board (U) | A2013D5042 |
| POWER P.C Board (C/A) | A2018D5060 |
| POWER P.C Board (E/V/B/S) | A2018D5072 |
| POWER P.C Board (J) | A2013D5082 |
| EQUALIZER P.C Board | A2018A501A |
| PIN JACK P.C Board | A2018A501B |
| MAIN P.C Board (U) | A2018A503A |
| MAIN P.C Board (J) | A2018A502A |
| MAIN P.C Board (C/A) | A2018A504A |
| MAIN P.C Board (E/V/B/S) | A2018A505A |
| MUTE P.C Board (U) | A2018A503B |
| MUTE P.C Board (J) | A2018A502B |
| MUTE P.C Board (C/A) | A2018A504B |
| MUTE P.C Board (E/V/B/S) | A2018A505B |
| SPEAKER SW P.C Board (U) | A2018A503C |
| SPEAKER SW P.C Board (J) | A2018A502C |
| SPEAKER SW P.C Board (C/A) | A2018A504C |
| SPEAKER SW P.C Board (E/V/B/S) | A2018A505C |
| LAMP (1) P.C Board (U) | A2018A503D |
| LAMP (1) P.C Board (J) | A2018A502D |
| LAMP (1) P.C Board (C/A) | A2018A504D |
| LAMP (1) P.C Board (E/V/B/S) | A2018A505D |
| LAMP (2) P.C Board (U) | A2018A503E |
| LAMP (2) P.C Board (J) | A2018A502E |
| LAMP (2) P.C Board (C/A) | A2018A504E |
| LAMP (2) P.C Board (E/V/B/S) | A2018A505E |
| VR (1) P.C Board (U) | A2018A503F |
| VR (1) P.C Board (J) | A2018A502F |
| VR (1) P.C Board (C/A) | A2018A504F |
| VR (1) P.C Board (E/V/B/S) | A2018A505F |
| LED (1) P.C Board (U) | A2018A503G |
| LED (1) P.C Board (J) | A2018A502G |
| LED (1) P.C Board (C/A) | A2018A504G |
| LED (1) P.C Board (E/V/B/S) | A2018A505G |
| HEADPHONES P.C Board (U) | A2018A503H |
| HEADPHONES P.C Board (J) | A2018A502H |
| HEADPHONES P.C Board (C/A) | A2018A504H |
| HEADPHONES P.C Board (E/V/B/S) | A2018A505H |
| TERMINAL P.C Board | A2018D5070 |

2) MODEL AM-U61

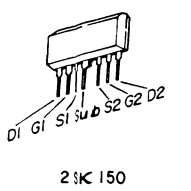
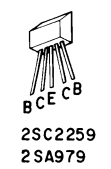
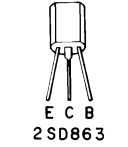
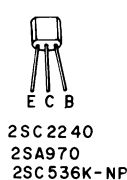
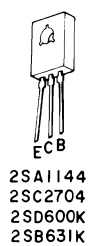
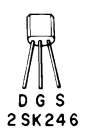
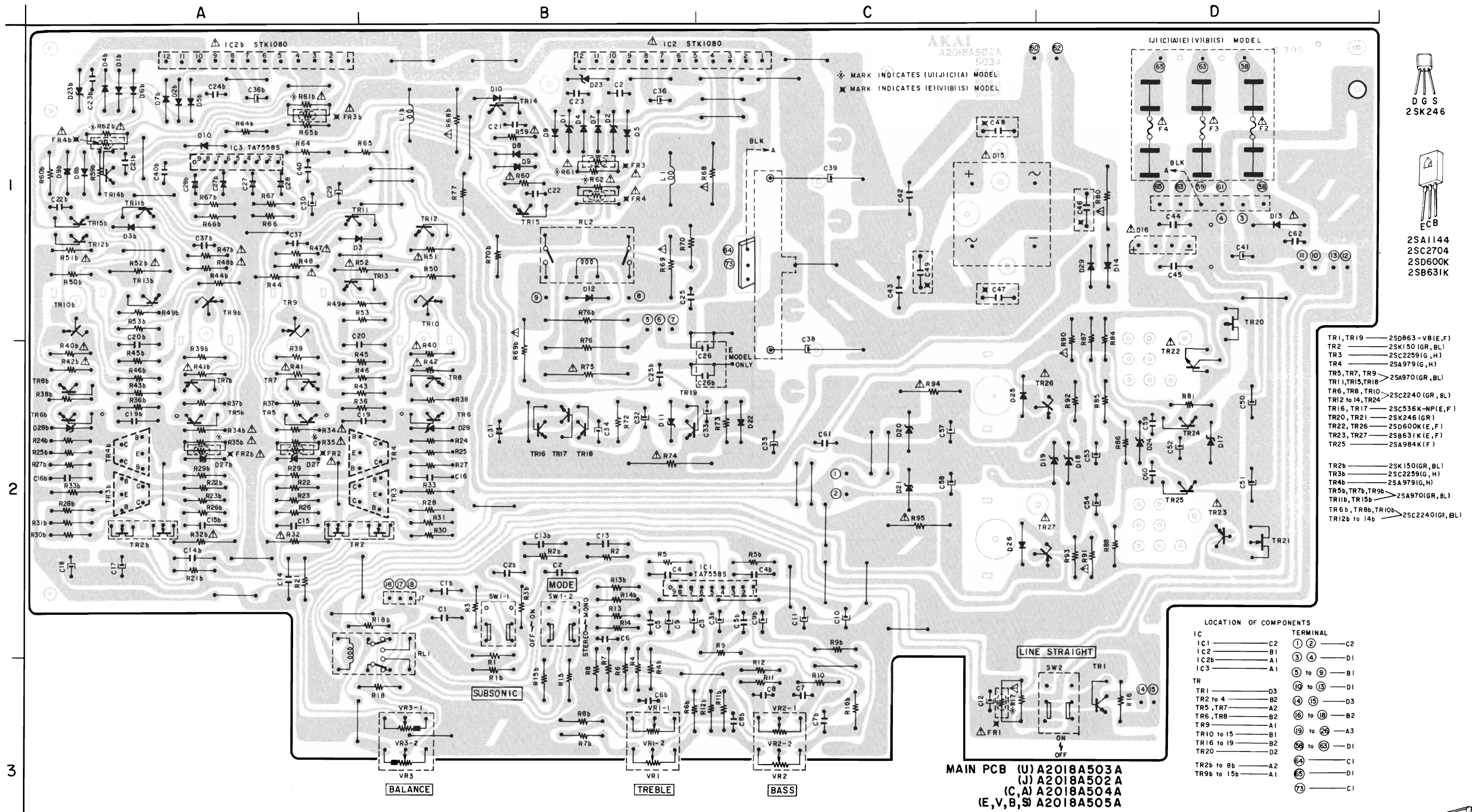
| P.C Board Title | P.C Board Number |
|--------------------------------|------------------|
| POWER P.C Board (U) | A2013D5043 |
| POWER P.C Board (E/V/B/S) | A2013D5073 |
| POWER P.C Board (J) | A2013D5083 |
| POWER P.C Board (C/A) | A2018D5061 |
| EQUALIZER P.C Board | A2018A501A |
| PIN JACK P.C Board | A2018A501B |
| MAIN P.C Board (U) | A2018A503A |
| MAIN P.C Board (J) | A2018A502A |
| MAIN P.C Board (C/A) | A2018A504A |
| MAIN P.C Board (E/V/B/S) | A2018A505A |
| MUTE P.C Board (U) | A2018A503B |
| MUTE P.C Board (J) | A2018A502B |
| MUTE P.C Board (C/A) | A2018A504B |
| MUTE P.C Board (E/V/B/S) | A2018A505B |
| SPEAKER SW P.C Board (U) | A2018A503C |
| SPEAKER SW P.C Board (J) | A2018A502C |
| SPEAKER SW P.C Board (C/A) | A2018A504C |
| SPEAKER SW P.C Board (E/V/B/S) | A2018A505C |
| LAMP (1) P.C Board (U) | A2018A503D |
| LAMP (1) P.C Board (J) | A2018A502D |
| LAMP (1) P.C Board (C/A) | A2018A504D |
| LAMP (1) P.C Board (E/V/B/S) | A2018A505D |
| LAMP (2) P.C Board (U) | A2018A503E |
| LAMP (2) P.C Board (J) | A2018A502E |
| LAMP (2) P.C Board (C/A) | A2018A504E |
| LAMP (2) P.C Board (E/V/B/S) | A2018A505E |
| HEADPHONES P.C Board (U) | A2018A503H |
| HEADPHONES P.C Board (J) | A2018A502H |
| HEADPHONES P.C Board (C/A) | A2018A504H |
| HEADPHONES P.C Board (E/V/B/S) | A2018A505H |
| VR (1) P.C Board | A2019C5010 |
| TERMINAL P.C Board | A2018D5070 |
| LED (1) P.C Board (V) | A2018A503G |
| LED (1) P.C Board (J) | A2018A502G |
| LED (1) P.C Board (C/A) | A2018A504G |
| LED (1) P.C Board (E/V/B/S) | A2018A505G |
| LED (2) P.C Board | A2019D5020 |

2. COMPOSITION OF VARIOUS P.C BOARDS

1) Model AM-U41 MAIN P.C Board A2018A503A (U), A2018A502A (J), A2018A504A (C/A), A2018A505A (E/V/B/S)

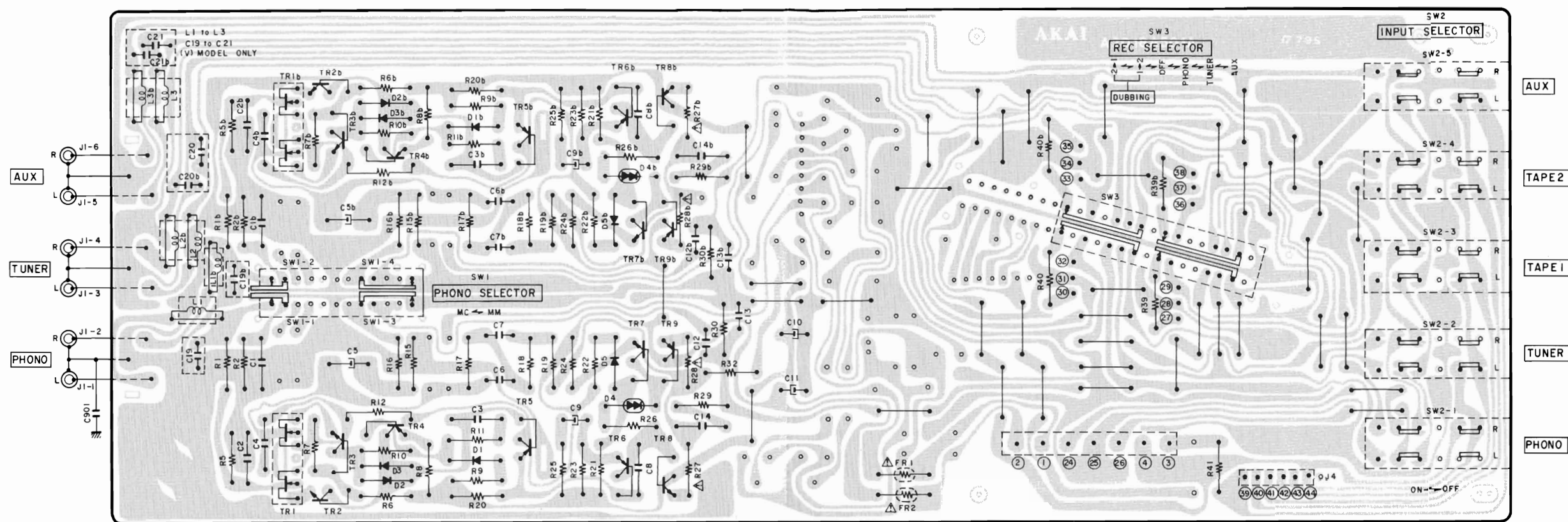


2) Model AM-U61 MAIN P.C Board A2018A503A (U), A2018A502A (J), A2018A504A (C/A), A2018A505A (E/V/B/S)



WARNING: Δ INDICATES SAFETY CRITICAL COMPONENTS. FOR CONTINUED SAFETY, REPLACE SAFETY CRITICAL COMPONENTS ONLY WITH MANUFACTURER'S RECOMMENDED PARTS.
AVERTISSEMENT: Δ IL INDIQUE LES COMPOSANTS CRITIQUES DE SÛRETÉ. POUR MAINTENIR LE DEGRÉ DE SÛRETÉ DE L'APPAREIL, NE REMPLACER LES COMPOSANTS DONT LE FONCTIONNEMENT EST CRITIQUE POUR LA SÛRETÉ QUE PAR DES PIÈCES RECOMMANDÉES PAR LE FABRICANT.

3) Model AM-U41 EQUALIZER P.C Board A2018A501A



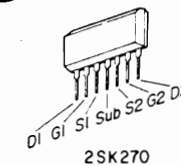
EQUALIZER PCB A2018A501A

WARNING: Δ INDICATES SAFETY CRITICAL COMPONENTS. FOR CONTINUED SAFETY, REPLACE SAFETY CRITICAL COMPONENTS ONLY WITH MANUFACTURER'S RECOMMENDED PARTS.
 AVERTISSEMENT: Δ IL INDIQUE LES COMPOSANTS CRITIQUES DE SÛRETÉ. POUR MAINTENIR LE DEGRÉ DE SÛRETÉ DE L'APPAREIL, NE REMPLACER LES COMPOSANTS DONT LE FONCTIONNEMENT EST CRITIQUE POUR LA SÛRETÉ QUE PAR DES PIÈCES RECOMMANDÉES PAR LE FABRICANT.

- TR1, 1b — 2SK270(GR, BL)
- TR2, 2b
- TR3, 3b — 2SC2240(GR, BL)
- TR7, 7b
- TR4 to 6
- TR4 to 6b — 2SA970(GR, BL)
- TR8, 8b — 2SC2274K(F)
- TR9, 9b — 2SA984K(F)

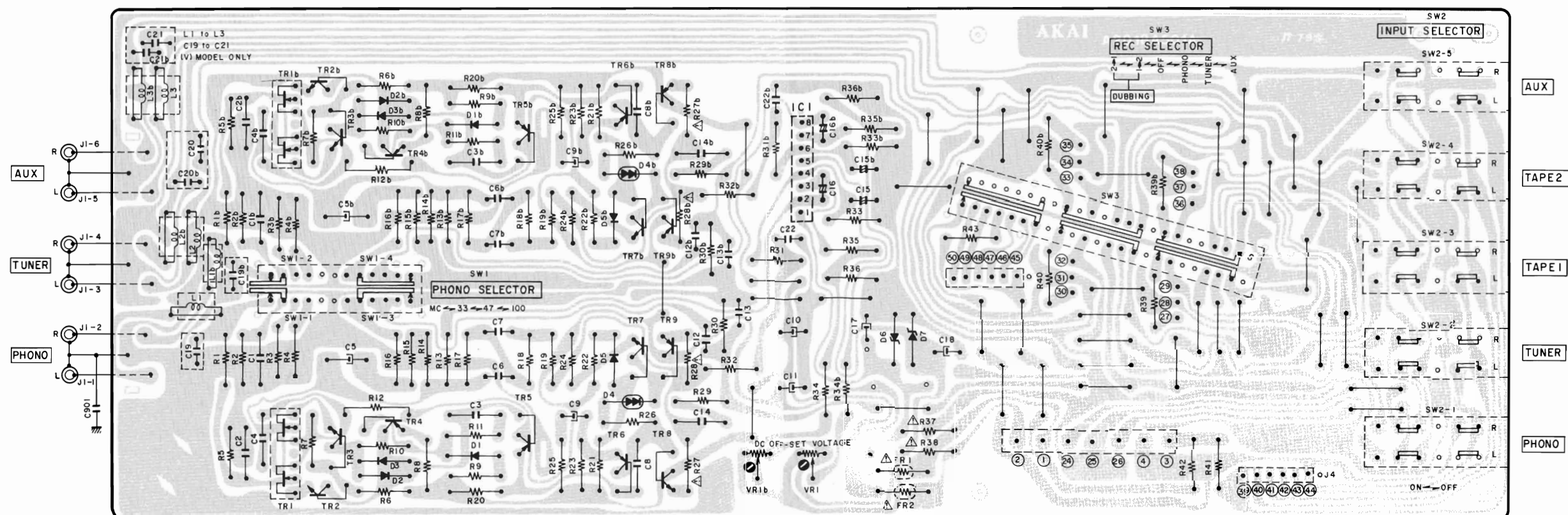


E C B
 2SC2240
 2SA974
 2SA984K



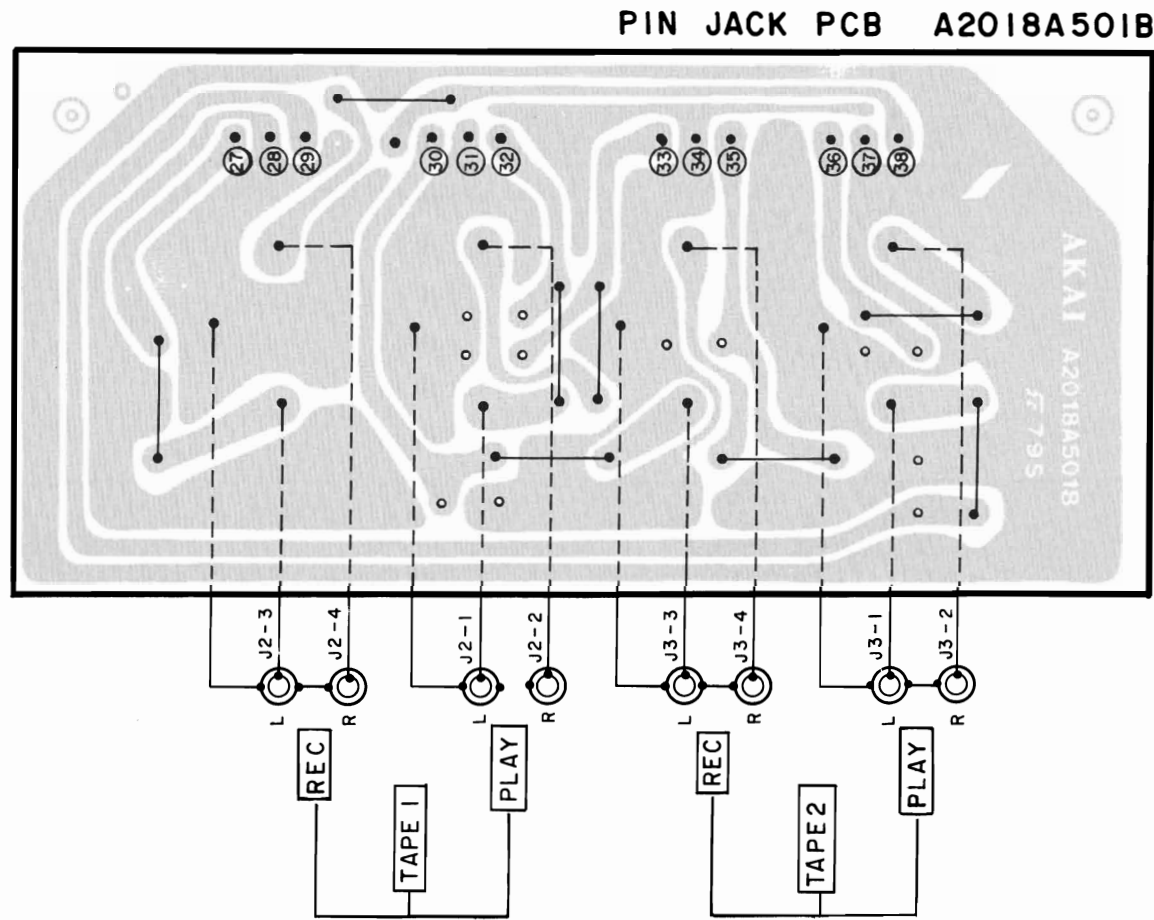
2SK270

4) Model AM-U61 EQUALIZER P.C Board A2018A501A

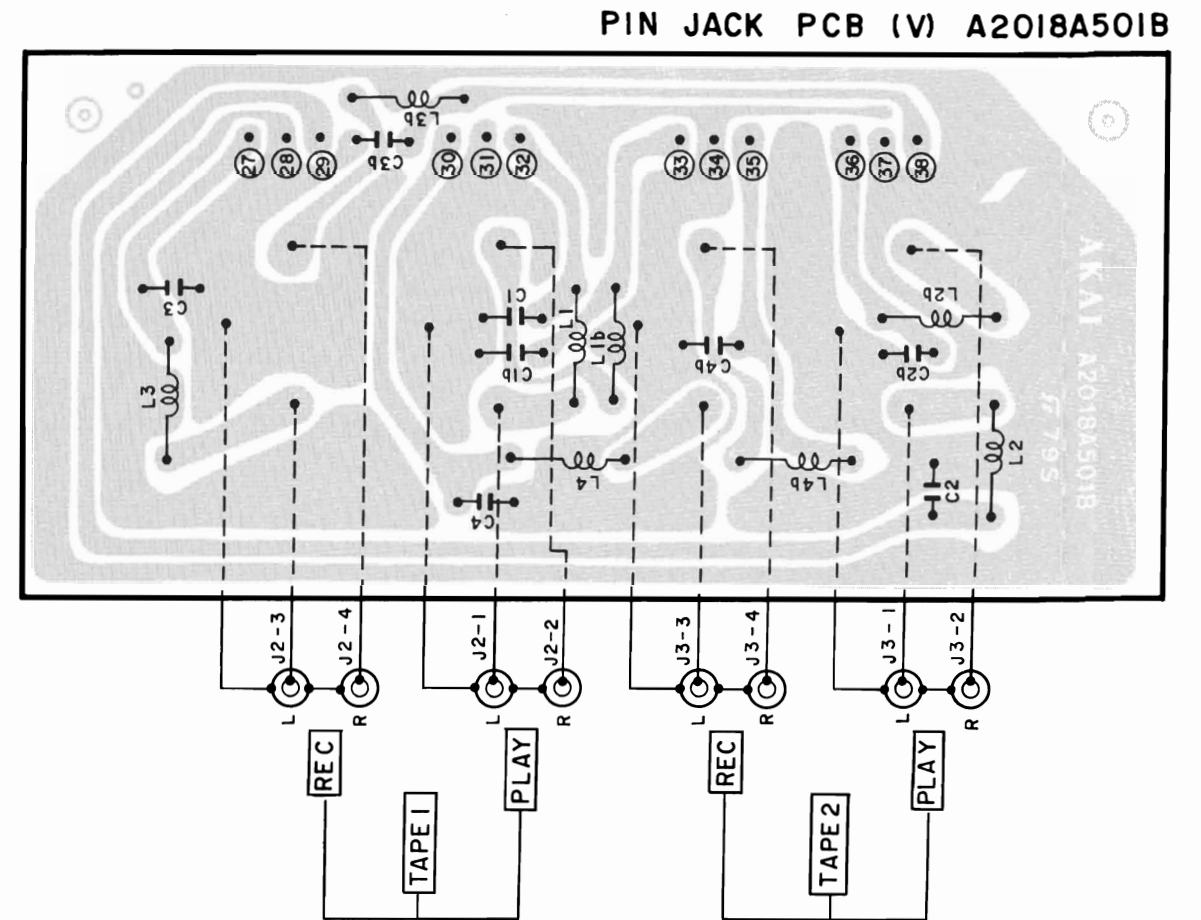


EQUALIZER PCB A2018A501A

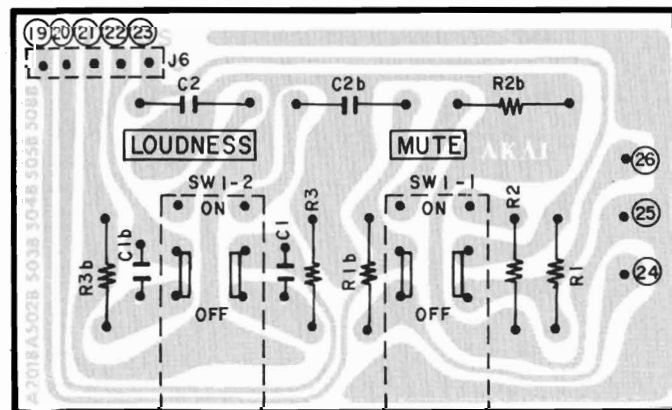
5) Model AM-U41/AM-U61 PIN JACK P.C Board A2018A501B (Except V)



6) Model AM-U41/AM-U61 PIN JACK P.C Board A2018A501B (V only)

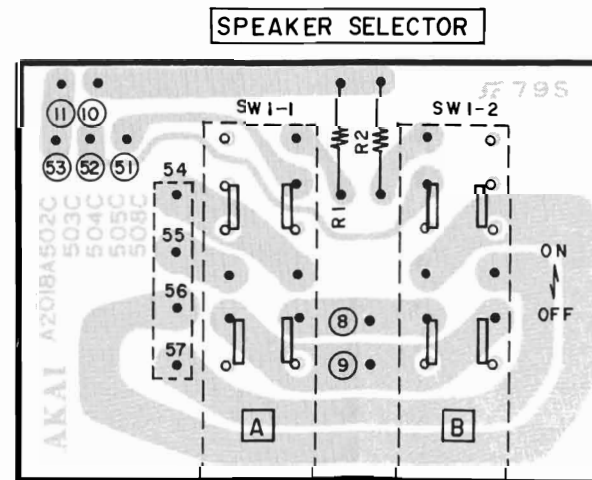


7) Model AM-U41/AM-U61 MUTE P.C Board A2018A503B (U), A2018A502B (J), A2018A504B (C/A), A2018A505B (E/V/B/S)



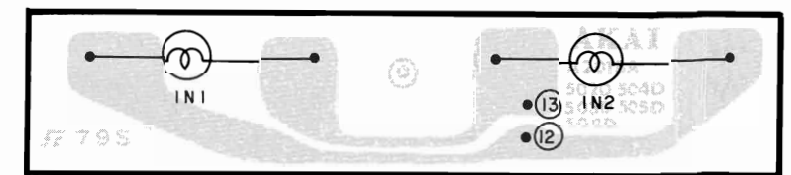
MUTE PCB (U) A2018A503B
(J) A2018A502B
(C,A) A2018A504B
(E,V,B,S) A2018A505B

8) Model AM-U41/AM-U61 SPEAKER SW P.C Board A2018A503C (U), A2018A502C (J), A2018A504C (C/A), A2018A505C (E/V/B/S)



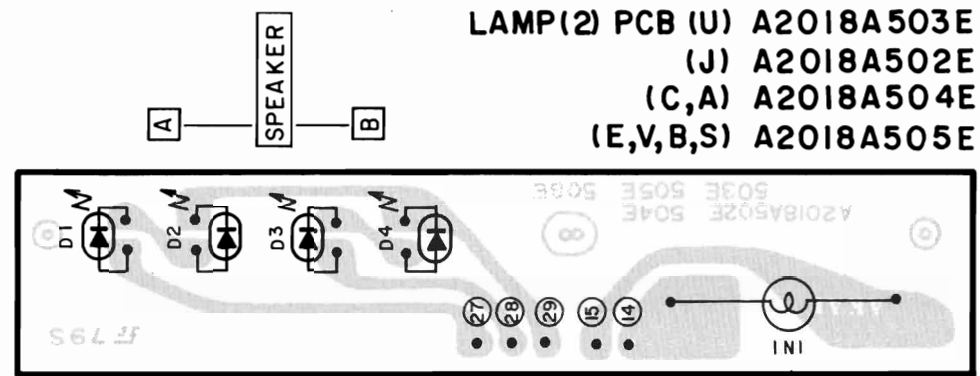
SPEAKER SW PCB (U) A2018A503C
(J) A2018A502C
(C,A) A2018A504C
(E,V,B,S) A2018A505C

9) Model AM-U41/AM-U61 LAMP (1) P.C Board A2018A503D (U), A2018A502D (J), A2018A504D (C/A), A2018A505D (E/V/B/S)

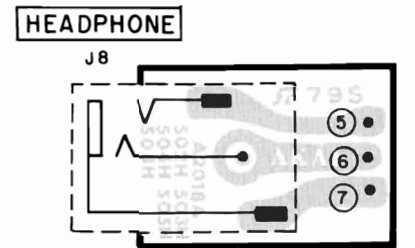


LAMP (1) PCB (U) A2018A503D
(J) A2018A502D
(C,A) A2018A504D
(E,V,B,S) A2018A505D

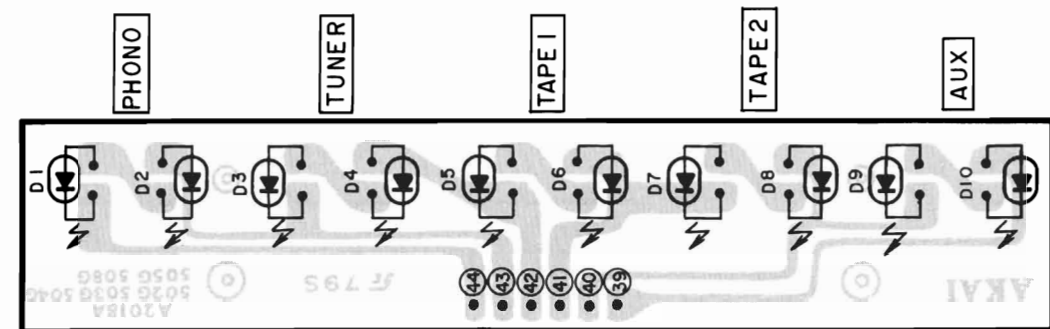
10) Model AM-U41/AM-U61 LAMP (2) P.C Board A2018A503E (U), A2018A502E (J), A2018A504E (C/A), A2018A505E (E/V/B/S)



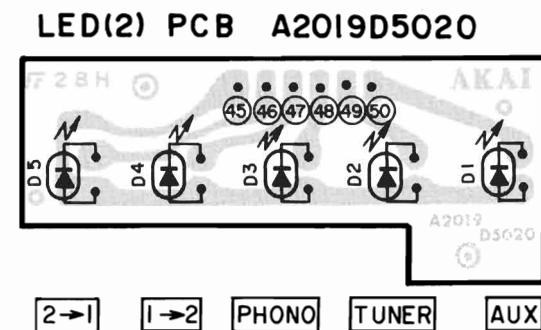
11) Model AM-U41/AM-U61 HEAD PHONE P.C Board A2018A503H (U), A2018A502H (J), A2018A504H (C/A), A2018A505H (E/V/B/S)



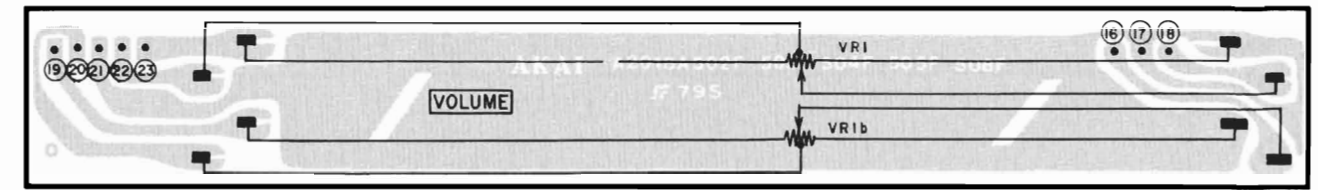
12) Model AM-U41/AM-U61 LED (1) P.C Board A2018A503G (U), A2018A502G (J), A2018A504G (C/A), A2018A505G (E/V/B/S)



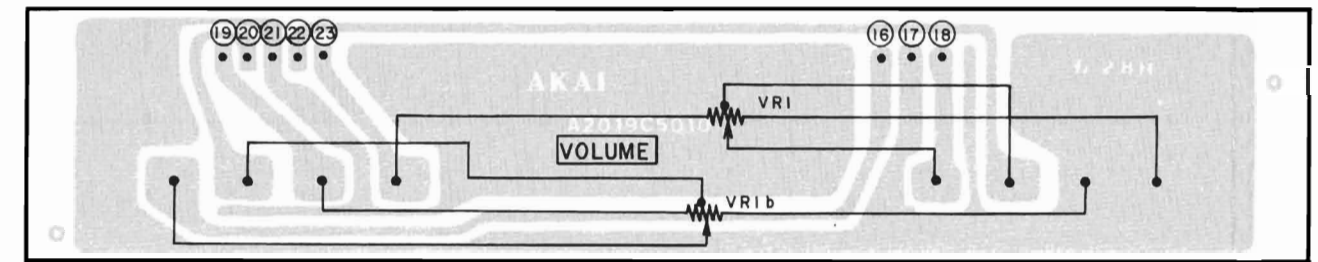
13) Model AM-U61 LED (2) P.C Board A2019D5020



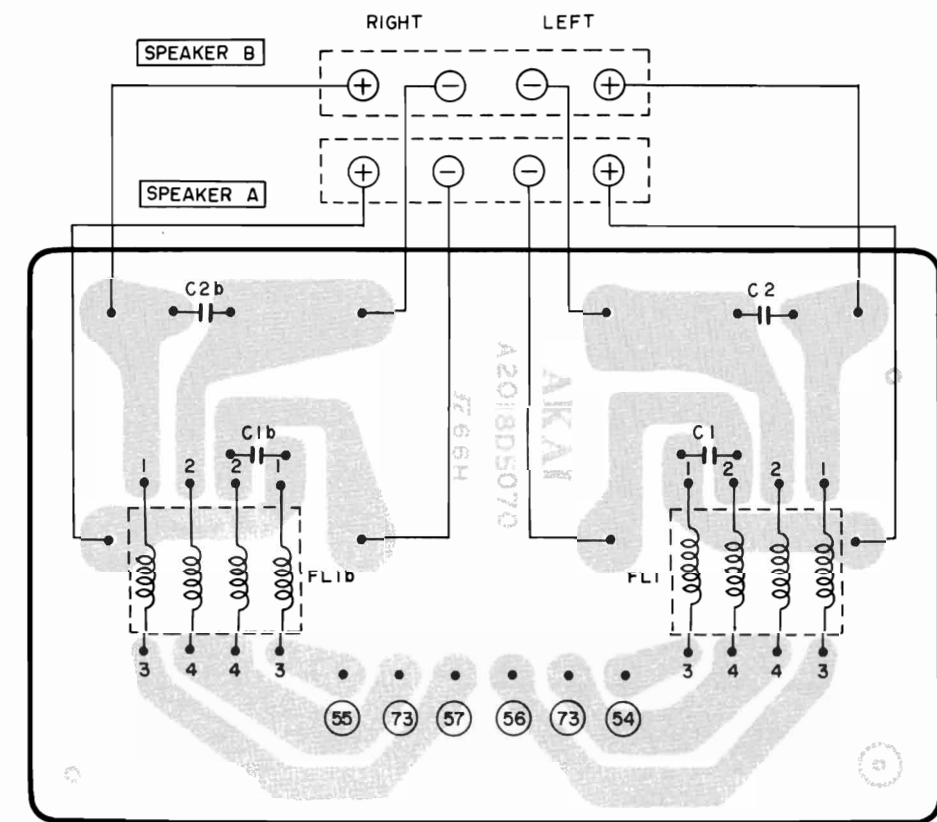
14) Model AM-U41 VR (1) P.C Board A2018A503F (U), A2018A502F (J), A2018A504F (C/A), A2018A505F (E/V/B/S)



15) Model AM-U61 VR (1) P.C Board A2019C5010

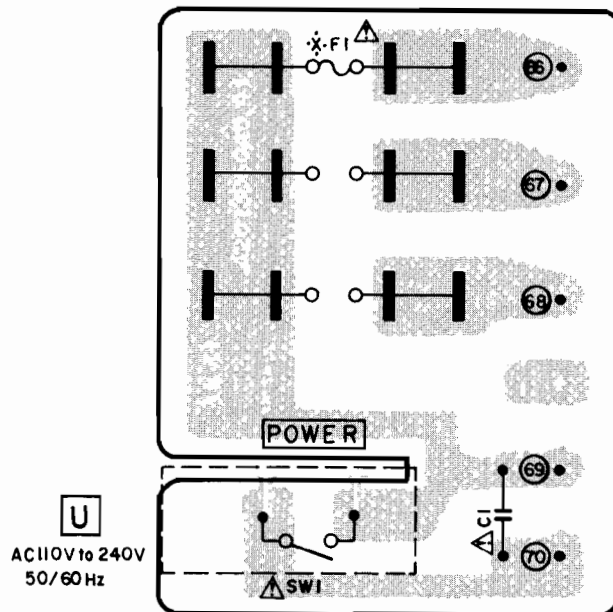


16) Model AM-U41/AM-U61 TERMINAL P.C Board A2018A5070



17) Model AM-U41/AM-U61 POWER P.C Board A2013D5042/A2013D5043 (U)

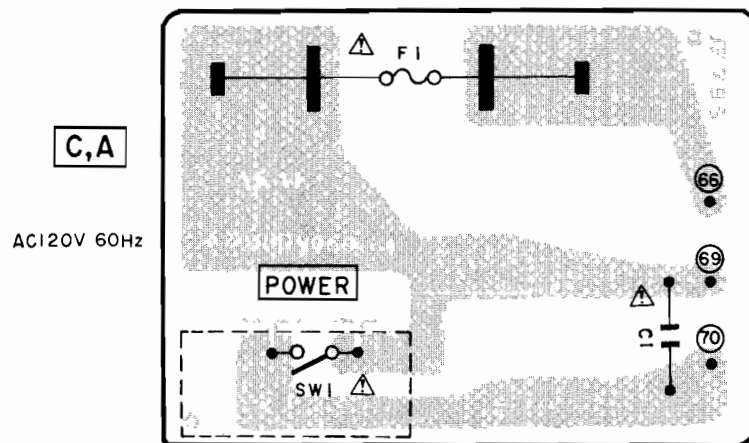
**POWER PCB A2013D5042(AM-U41)
A2013D5043 (AM-U61)**



WARNING & INDICATES SAFETY CRITICAL COMPONENTS FOR CONTINUED SAFETY.
REPLACE SAFETY CRITICAL COMPONENTS ONLY WITH MANUFACTURER'S
RECOMMENDED PARTS
AVERTISSEMENT & IL INDIQUE LES COMPOSANTS CRITIQUES DE SÛRETÉ POUR
MAINTENIR LE DEGRÉ DE SÛRETÉ DE L'APPAREIL. NE REMPLACER LES
COMPOSANTS DON'T LE FONCTIONNEMENT EST CRITIQUE POUR LA SÛRETÉ
QUE PAR DES PIÈCES RECOMMANDÉES PAR LE FABRICANT

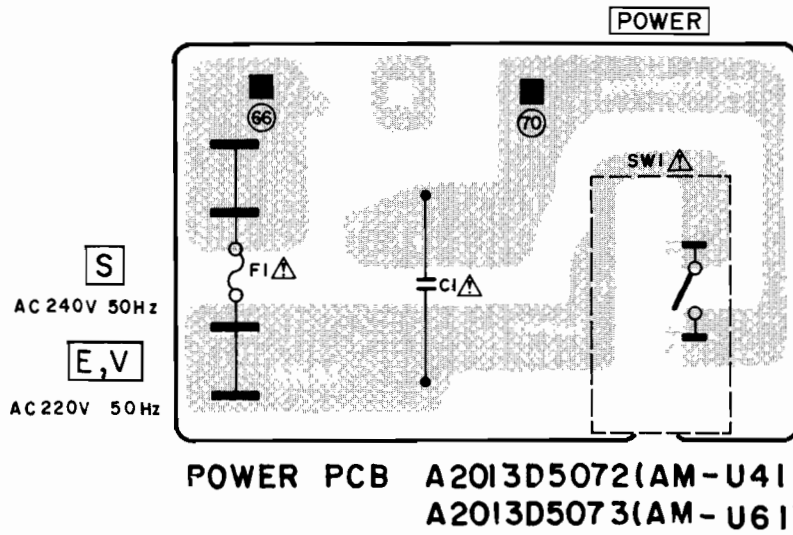
18) Model AM-U41/

R P.C Board A2018D5060/A2018D5061 (C/A)

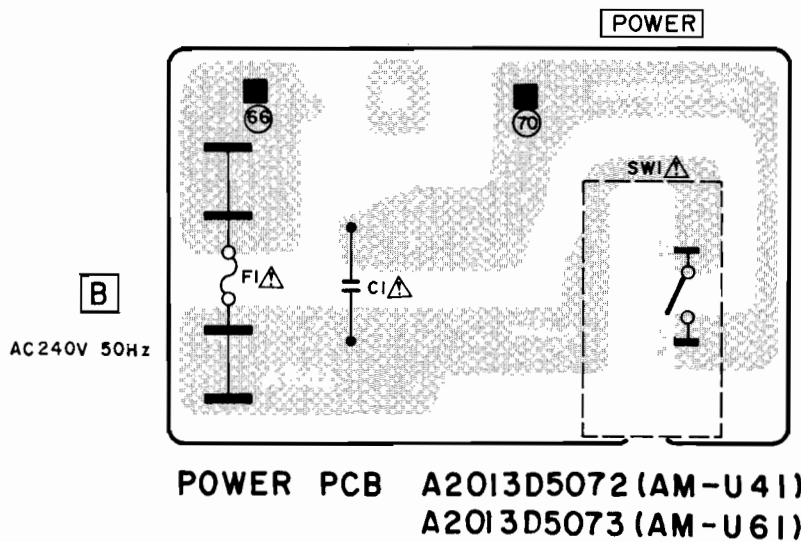


**POWER PCB A2018D5060(AM-U41)
A2018D5061 (AM-U61)**

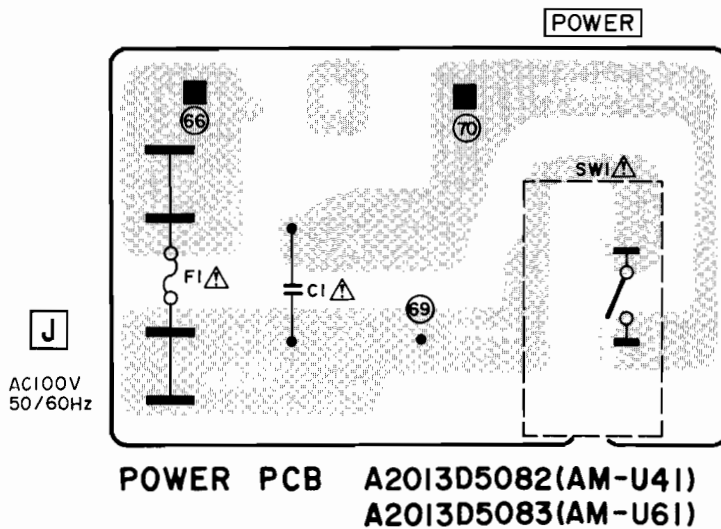
19) Model AM-U41/AM-U61 POWER P.C Board A2013D5072/A2013D5073 (E/V/S)



20) Model AM-U41/AM-U61 POWER P.C Board A2013D5072/A2013D5073 (B)



21) Model AM-U41/AM-U61 POWER P.C Board A2013D5082/A2013D5083 (J)



WARNING: Δ INDICATES SAFETY CRITICAL COMPONENTS. FOR CONTINUED SAFETY, REPLACE SAFETY CRITICAL COMPONENTS ONLY WITH MANUFACTURER'S RECOMMENDED PARTS.
AVERTISSEMENT: Δ IL INDIQUE LES COMPOSANTS CRITIQUES DE SÛRETÉ. POUR MAINTENIR LE DEGRÉ DE SÛRETÉ DE L'APPAREIL, NE REMPLACEZ LES COMPOSANTS DONT LE FONCTIONNEMENT EST CRITIQUE POUR LA SÛRETÉ QUE PAR DES PIÈCES RECOMMANDÉES PAR LE FABRICANT.

MEMO

SECTION 3

PARTS LIST

TABLE OF CONTENTS

| | |
|--|----|
| RECOMMENDED SPARE PARTS LIST (AT-S61/L/J)..... | 49 |
| 1. TUNER P.C BOARD BLOCK..... | 50 |
| 2. POWER P.C BOARD BLOCK..... | 51 |
| 3. FILTER P.C BOARD BLOCK (V ONLY)..... | 51 |
| 4. ASSEMBLY BLOCK..... | 53 |
| 5. FINAL ASSEMBLY BLOCK..... | 54 |
| RECOMMENDED SPARE PARTS LIST (AM-U41)..... | 55 |
| 1. MAIN AMP P.C BOARD BLOCK..... | 56 |
| 2. EQUALIZER P.C BOARD BLOCK..... | 57 |
| 3. POWER P.C BOARD BLOCK..... | 57 |
| 4. ASSEMBLY BLOCK..... | 59 |
| 5. FINAL ASSEMBLY BLOCK..... | 60 |
| RECOMMENDED SPARE PARTS LIST (AM-U61)..... | 61 |
| 1. MAIN AMP P.C BOARD BLOCK..... | 62 |
| 2. EQUALIZER P.C BOARD BLOCK..... | 63 |
| 3. POWER P.C BOARD BLOCK..... | 63 |
| 4. ASSEMBLY BLOCK..... | 65 |
| 5. FINAL ASSEMBLY BLOCK..... | 66 |
| INDEX..... | 67 |

Please refer to COMMON LIST FOR SERVICE PARTS for Resistor and Capacitor not listed in this parts list.

ATTENTION

1. When placing an order for parts, be sure to list the parts no., model no., and description. There are instances in which if any of this information is omitted, parts cannot be shipped or the wrong parts will be delivered.
2. Please be careful not to make a mistake in the parts no. If the parts no. is in error, a part different from the one ordered may be delivered.
3. Because parts number and parts unit supply in the Preliminary Parts List may be partially changed, please use this parts list for all future reference.

HOW TO USE THIS PARTS LIST

1. This Parts List shows the parts that are considered necessary for repairs. Other parts, such as resistors and capacitors, are shown in the "Common List for Service Parts". Select and order such parts from the "Common List for Service Parts".
2. The Recommended Spare Parts shows those parts in the Parts List which are considered particularly important for service.
3. Parts not shown in the Parts List and "Common List for Service Parts" will not be supplied in principle.
4. How to read list
 - a) Mechanism Block
 - b) P.C Board Block

2. HEAD BASE BLOCK

| REF. NO. | PARTS NO. | DESCRIPTION |
|----------|---------------|-------------------------|
| 2-1x | BH-T2023A320A | HEAD BASE BLOCK GX-F66R |
| 2-2 | HP-H2206A010A | HEAD R/P PR4-8FU C |
| 2-3 | ZS-477876 | PAN20x03STL CMT |
| 2-4 | ZS-536488 | BID20x08STL CMT |
| 2-5 | ZG-402895 | CS ANGLE ADJUST SPRING |

SP (Service Parts) Classification

A small "x" indicates the inability to show that particular part in the Photo or Illustration.

This number corresponds with the individual parts index number in that figure

This number corresponds with the Figure Number

6. SYS. CON. P.C BOARD BLOCK

| REF. NO. | PARTS NO. | DESCRIPTION |
|-----------|---------------|---------------------------------|
| 6-1 | BA-T2034A070A | PC SYS CON BLK GX-F44R |
| 6-IC1 | EI-324536 | IC HD14049BP |
| 6-IC2 | EI-336801 | IC MB8841-564M |
| 6-IC3 | EI-331661 | IC SN7405N |
| 6-IC4 | EI-336725 | IC M54527P |
| 6-TR1to4 | ET-200985 | TR 2SC2603 F,G |
| 6-TR5to28 | ET-554657 | TR 2SA733A P,Q |
| 6-D1 | ED-318292 | D SILICON H 1S2473T-77 T2 6 |
| 6-D2to4 | ED-308952 | D GERMA V 1K34A-LR F07 |
| 6-D5to10 | ED-318292 | D SILICON H 1S2473T-77 T2 6 |
| 6-X1 | EI-318384 | OSC X'TAL NC-18C 3.579545MHZ |

SP (Service Parts) Classification

This reference numbers corresponds with symbol numbers of Schematic Diagrams.

5. Both the kind of part and installation position can be determined by the Parts Number. To determine where a parts number is listed, utilize Parts Index at end of Parts List. It is necessary first of all to find the Parts Number. This can be accomplished by using the Reference Number listed at right of parts number in the Parts Index.

WARNING

⚠ INDICATES SAFETY CRITICAL COMPONENTS. FOR CONTINUED SAFETY, REPLACE SAFETY CRITICAL COMPONENTS ONLY WITH MANUFACTURER'S RECOMMENDED PARTS.

AVERTISSEMENT

⚠ IL INDIQUE LES COMPOSANTS CRITIQUES DE SURETE. POUR MAINTENIR LE DEGRE DE SECURITE DE L'APPAREIL NE REMPLACER LES COMPOSANTS DONT LE FONCTIONNEMENT EST CRITIQUE POUR LA SECURITE QUE PAR DES PIECES RECOMMANDEES PAR LE FABRICANT.

RECOMMENDED SPARE PARTS LIST

Because, if the parts listed below are on hand, almost any repair can be accomplished, we suggest that you stock these Recommended Spare Parts Items.

| REF. NO. | PARTS NO. | DESCRIPTION | REF. NO. | PARTS NO. | DESCRIPTION |
|----------|-----------|---|----------|-----------|---|
| 1 | BT-337978 | △ TRANS POWER AT-S61T-11 (J) | 59 | EO-337572 | COIL VARI 2 25-2474 (V) |
| 2 | BT-337971 | △ TRANS POWER AT-S61T-30 (C, A) | 60 | EO-337573 | COIL VARI 2 25-2475 (V) |
| 3 | BT-337973 | △ TRANS POWER AT-S61T-40 (B) (E, V) | 61 | EO-337574 | COIL VARI 2 25-2476 (V) |
| 4 | BT-337974 | △ TRANS POWER AT-S61-T-50 (B) (B, S) | 62 | EO-337598 | COIL VARI 2 25A-1353-01 |
| 5 | BT-337970 | △ TRANS POWER AT-S61T-70 (U) | 63 | EO-337599 | COIL VARI 2 25A-1354-03 (L) |
| 6 | EC-336865 | C S-FIX H CTZ51C 3.0-10 (EXCEPT L) | 64 | ER-338408 | △ R FUSE ERD2FC F10 1/4W 91R0G (V) |
| 7 | EC-337602 | C S-FIX H CTZ51E127 4.5-20 | 65 | ER-318248 | △ R FUSE ERD2FC 1/4W 47R0G |
| 8 | EC-337603 | C S-FIX H CTZ51F132 5.5-30 | 66 | ER-337327 | FILTER CE BFU459C4N 0.459MHz (EXCEPT C, A) |
| 9 | ED-562386 | D GERMA H 1S188AM | 67 | ER-337328 | FILTER CE BFU460C4N 0.46MHz (C, A) |
| 10 | ED-337413 | D LED SLP-135B RED | 68 | ER-337989 | FILTER CE SFE10.7MPKA 10.7MHz |
| 11 | ED-337414 | D LED SLP-235B GRN | 69 | ER-337325 | FILTER CE SFZ459G3L 0.459MHz (EXCEPT C, A) |
| 12 | ED-223547 | D SILICON DS131A 100/1.8A | 70 | ER-337326 | FILTER CE SFZ460G3L 0.46MHz (C, A) |
| 13 | ED336805 | D SILICON DS135D-KBI 200/1.0A | 71 | ER-341654 | FILTER LC LP 42W-1001 |
| 14 | ED301911 | D SILICON H DS448 | 72 | ES-328788 | △ SW PUSH ESB-90144T 01-I UC (C, A) |
| 15 | ED-200469 | D SILICON H DS448 FA5 F10 | 73 | ES-328787 | △ SW PUSH ESB-90149R 01-I J (J) |
| 16 | ED-322238 | D SILICON 1B4B41 100/1.0A | 74 | ES-336909 | △ SW PUSH ESB-90259S 01-I C (U, E, B, S) |
| 17 | ED-337605 | D VARACTOR SVC333(A) DOUBLE | 75 | ES-336760 | SW TACT EVQ-QJR02K |
| 18 | ED323057 | D VARISTER MV12 | 76 | ES-328414 | SW TACT KHC10901 |
| 19 | ED-323216 | D ZENER H 05Z15 Z | 77 | ET-323232 | TR FET 2SK19 Y |
| 20 | ED337606 | D ZENER H 05Z6.2 Y | 78 | ET-336864 | TR FET 2SK223 F |
| 21 | ED-300257 | D ZENER H 05Z6.8 X | 79 | ET-337604 | TR FET 2SK246 Y |
| 22 | EE-337571 | FRONT END FD632J16 76-90MHz (J) | 80 | ET-322778 | TR 2SA608K-NP E, F, G |
| 23 | EE-337570 | FRONT END FD632U14 87-108MHz (EXCEPT J) | 81 | ET-316643 | TR 2SC536K-NP F, G |
| 24 | EF-322975 | △ FUSE EAWK T 250V 0.16A (F3) (E, B, S, V) | 82 | ET-307193 | TR 2SD612K D, E, F |
| 25 | EF-322975 | △ FUSE EAWK T 250V 0.16A (F5) (E, B, S, V) | 83 | EV-337995 | R S-FIX H RVF8P01 3P 103 |
| 26 | EF-300588 | △ FUSE EAWK T 250V 0.20A (F4) (E, B, S, V) | 84 | EV-337996 | R S-FIX H RVF8P01 3P 104 |
| 27 | EF-300599 | △ FUSE FST3100 T 250V 0.40A (F1, 2) (E, B, S, V) | 85 | EV-337993 | R S-FIX H RVF8P01 3P 203 |
| 28 | EF-308933 | △ FUSE TSC A 250V 0.20A (F1) (U) | 86 | EV-338588 | R S-FIX H RVF8P01 3P 503 |
| 29 | EF-309389 | △ FUSE TSC A 250V 0.40A (F1) (U) | | | |
| 30 | EF-327103 | △ FUSE TSC A 250V 0.50A (F1) (J) | | | |
| 31 | EF-315334 | △ FUSE TSC 125V 0.25A (F5) (C, A) | | | |
| 32 | EF-306088 | △ FUSE TSC 125V 0.31A (F4) (C, A) | | | |
| 33 | EF-309390 | △ FUSE TSC 125V 0.50A (F1, 2, 3) (C, A) | | | |
| 34 | EI-337600 | IC AT600 | | | |
| 35 | EI-337363 | IC LA1222 | | | |
| 36 | EI-337417 | IC LA1235 | | | |
| 37 | EI-202218 | IC LA1245 | | | |
| 38 | EI-332206 | IC LA3381 | | | |
| 39 | EI-336761 | IC LA6458S | | | |
| 40 | EI-336794 | IC LB1240 | | | |
| 41 | EI-337365 | IC LB1426 | | | |
| 42 | EI-338171 | IC LC4069UB | | | |
| 43 | EI-332287 | IC M54517P | | | |
| 44 | EI-315379 | IC TC5066BP | | | |
| 45 | EI-336717 | IC TC9125BP | | | |
| 46 | EI-315381 | IC TD6102P | | | |
| 47 | EI-338675 | IC UPC78M24H | | | |
| 48 | EI-327074 | OSC X'TAL HC-18/U 9MHz | | | |
| 49 | EL-337975 | PL CORD 9.0V 40MA 140/140 | | | |
| 50 | EM-337426 | IND FL 9-BT-01ZK CHARACTER | | | |
| 51 | EO-336878 | COIL DET 2 78-1049 | | | |
| 52 | EO-336879 | COIL DET 2 78-1050 | | | |
| 53 | EO-337607 | COIL IFT 08A-04 460KHz | | | |
| 54 | EO-202216 | COIL IFT 7MC-6733C 460KHz | | | |
| 55 | EO-336833 | COIL IFT 7MC-7736Z 460KHz | | | |
| 56 | EO-202215 | COIL OSC 2 7NR6721Y 100μH | | | |
| 57 | EO-307786 | COIL OSC 2 7NR-6722Y 580μH (L) | | | |
| 58 | EO-337415 | COIL VARI 1 126xGS-6323Z 19KHz | | | |

1. TUNER P.C BOARD BLOCK

| REF. NO. | PARTS NO. | DESCRIPTION | REF. NO. | PARTS NO. | DESCRIPTION |
|------------------------------|---------------|--|-------------|-----------|---|
| 1-1 | BA-A3027A030A | PC TUNER BLK AT-S61 (U) | 1-D31, 32 | ED-301911 | △ D SILICON H DS448 |
| 1-2 | BA-A3027A030B | PC TUNER BLK AT-S61 (C) (C, A) | 1-D33, 34 | ED-323216 | △ D ZENER H 05Z15 Z |
| 1-3 | BA-A3027A030C | PC TUNER BLK AT-S61 (E) (E, S) | 1-D35 | ED-223547 | △ D SILICON DS131A 100/1.8A |
| 1-4 | BA-A3027A030D | PC TUNER BLK AT-S61 (V) | 1-D36 | ED-200469 | D SILICON H DS448 FA5 F10 |
| 1-5 | BA-A3027A030E | PC TUNER BLK AT-S61L | 1-D37 to 39 | ED-301911 | D SILICON H DS448 |
| 1-6 | BA-A3027A030F | PC TUNER BLK AT-S61-J | 1-D40 | ED-323057 | D VARISTER MV12 |
| | | | 1-D41 | ED-336805 | △ D SILICON DS135D-KB1 200/1.0A |
| TUNER P.C BOARD BLOCK | | | | | |
| 1-7 | EE-337570 | FRONT END FD632U14 87-108MHz (EXCEPT J) | 1-D42 | ED-322238 | △ D SILICON 1B4B41 100/1.0A |
| 1-8 | EE-337571 | FRONT END FD632J16 76-90MHz (J) | 1-D43 | ED-300257 | D ZENER H 05Z6.8 X |
| 1-IC1 | EI-337363 | IC LA1222 | 1-D44 | ED-337606 | D ZENER H 05Z6.2 Y |
| 1-IC2 | EI-337417 | IC LA1235 | 1-D45 | ED-323216 | D ZENER H 05Z15 Z |
| 1-IC3 | EI-336761 | IC LA6458S (V) | 1-J1 | EJ-337424 | PIN J AJC-034-AAB P 2P |
| 1-IC4 | EI-336761 | IC LA6458S | 1-J2 | EJ-324276 | DIN J TCS4680-01-111 P 8P |
| 1-IC5 | EI-332206 | IC LA3381 | 1-SW1 | ES-328414 | SW TACT KHC10901 |
| 1-IC6 | EI-202218 | IC LA1245 | 1-VR1 | EV-338588 | R S-FIX H RVF8P01 3P 503 |
| 1-IC7 | EI-315381 | IC TD6102P | 1-VR2 | EV-337993 | R S-FIX H RVF8P01 3P 203 |
| 1-IC8 | EI-336717 | IC TC9125BP | 1-VR3 | EV-337995 | R S-FIX H RVF8P01 3P 103 (J) |
| 1-IC9 | EI-337600 | IC AT600 | 1-VR4 to 6 | EV-337993 | R S-FIX H RVF8P01 3P 203 |
| 1-IC10 | EI-338171 | IC LC4069UB | 1-VR7 | EV-337995 | R S-FIX H RVF8P01 3P 103 |
| 1-IC11 | EI-332287 | IC M54517P | 1-VR8 | EV-337996 | R S-FIX H RVF8P01 3P 104 |
| 1-IC12 | EI-315379 | IC TC5066BP | 1-L1 | EO-337608 | COIL FIX 1 LAL04 2.2μH M |
| 1-IC13 | EI-336794 | IC LBI240 | 1-L2, 3 | EO-318365 | COIL FIX 1 LAL04 1MH K |
| 1-IC14 | EI-337365 | IC LBI426 | 1-L4 | EO-318380 | COIL FIX 1 LAL04 270μH K |
| 1-IC15 | EI-338675 | △ IC UPC78M24H | 1-L5 | EO-336934 | COIL FIX 1 LAL03KH 2.2μH M |
| 1-TR1 | ET-322778 | TR 2SA608K-NP E, F, G | 1-T1 | EO-336878 | COIL DET 2 78-1049 |
| 1-TR2 to 5 | ET-316643 | TR 2SC536K-NP F, G | 1-T2 | EO-336879 | COIL DET 2 78-1050 |
| 1-TR6 | ET-322778 | TR 2SA608K-NP E, F, G | 1-T3 | EO-337572 | COIL VARI 2 25-2474 (V) |
| 1-TR7 | ET-337604 | TR FET 2SK246 Y | 1-T4 | EO-337573 | COIL VARI 2 25-2475 (V) |
| 1-TR8 | ET-337604 | TR FET 2SK246 Y | 1-T5 | EO-337574 | COIL VARI 2 25-2476 (V) |
| 1-TR9 to 13 | ET-316643 | TR 2SC536K-NP F, G | 1-T6, 7 | EO-337415 | COIL VARI 1 126xGS-6323Z 19 KHz |
| 1-TR14 to 16 | ET-337604 | TR FET 2SK246 Y | 1-T8 | EO-337598 | COIL VARI 2 25A-1353-01 |
| 1-TR17 | ET-322778 | TR 2SA608K-NP E, F, G | 1-T9 | EO-337599 | COIL VARI 2 25A-1354-03 (L) |
| 1-TR18 | ET-316643 | TR 2SC536K-NP F, G (L) | 1-T10 | EO-202215 | COIL OSC 2 7NR-6721Y 100μH |
| 1-TR19 to 22 | ET-322778 | TR 2SA608K-NP E, F, G (L) | 1-T11 | EO-307786 | COIL OSC 2 7NR-6722Y 580μH (L) |
| 1-TR23 | ET-316643 | TR 2SC536K-NP F, G (L) | 1-T12 | EO-337607 | COIL IFT 08A-04 460KHz |
| 1-TR24 | ET-323232 | TR FET 2SK19 Y (L) | 1-T13 | EO-202216 | COIL IFT 7MC-6733C 460KHz |
| 1-TR26 | ET-316643 | TR 2SC536K-NP F, G (L) | 1-T14 | EO-336833 | COIL IFT 7MC-7736Z 460KHz |
| 1-TR27 | ET-316643 | TR 2SC536K-NP F, G | 1-FL1 to 3 | ER-337989 | FILTER CE SFE10.7MPKA 10.7MHz |
| 1-TR28 | ET-336864 | TR FET 2SK223 F (L) | 1-FL4 | ER-341654 | FILTER LC LP 42W-1001 |
| 1-TR29 | ET-336864 | TR FET 2SK223 F | 1-FL5 | ER-337325 | FILTER CE SFZ459G3L 0.459MHz (EXCEPT C, A) |
| 1-TR30 | ET-322778 | TR 2SA608K-NP E, F, G | 1-FL5 | ER-337326 | FILTER CE SFZ460G3L 0.46MHz (C, A) |
| 1-TR31 | ET-316643 | TR 2SC536K-NP F, G | 1-FL6 | ER-337327 | FILTER CE BFU459C4N 0.459MHz (EXCEPT C, A) |
| 1-TR32 to 35 | ET-316643 | TR 2SC536K-NP F, G (L) | 1-FL6 | ER-337328 | FILTER CE BFU460C4N 0.46MHz (C, A) |
| 1-TR36 to 44 | ET-316643 | TR 2SC536K-NP F, G | 1-X1 | EI-327074 | OSC X'TAL HC-18/U 9MHz |
| 1-TR45 | ET-322778 | TR 2SA608K-NP E, F, G | 1-FR1 | ER-318248 | △ R FUSE ERD2FC 1/4W 47R0G (EXCEPT V) |
| 1-TR46 | ET-322778 | TR 2SA608K-NP E, F, G (L) | 1-FR1 | ER-338408 | △ R FUSE ERD2FC F10 1/4W 91R0G (V) |
| 1-TR47 | ET-322778 | TR 2SA608K-NP E, F, G | 1-FR2 | ER-318248 | △ R FUSE ERD2FC 1/4W 47R0G |
| 1-TR48 | ET-316643 | TR 2SC536K-NP F, G | 1-R5 | ER-324480 | △ R CBH SNP FS RDS 1/4W 470J |
| 1-TR49 | ET-307193 | △ TR 2SD612K D, E, F | 1-R7 | ER-324184 | △ R CBH SNP FS RDS 1/4W 121J |
| 1-TR50 | ET-322778 | TR 2SA608K-NP E, F, G | 1-R24 | ER-324184 | △ R CBH SNP FS RDS 1/4W 121J |
| 1-TR51, 52 | ET-316643 | TR 2SC536K-NP F, G | 1-R38 | ER-324184 | △ R CBH SNP FS RDS 1/4W 121J |
| 1-TR53 | ET-307193 | △ TR 2SD612K D, E, F | 1-R55 | ER-324184 | △ R CBH SNP FS RDS 1/4W 121J (V) |
| 1-D1 to 3 | ED301911 | D SILICON H DS448 | 1-R62 | ER-324184 | △ R CBH SNP FS RDS 1/4W 121J |
| 1-D4 | ED-200469 | D SILICON H DS448 FA5 F10 (L) | 1-R118 | ER-324185 | △ R CBH SNP FS RDS 1/4W 221J (EXCEPT L) |
| 1-D5, 6 | ED-562386 | D GERMA H 1S188AM | 1-R118 | ER-324184 | △ R CBH SNP FS RDS 1/4W 121J (L) |
| 1-D7 to 9 | ED-301911 | D SILICON H DS448 | 1-R124 | ER-324184 | △ R CBH SNP FS RDS 1/4W 121J |
| 1-D10, 11 | ED-337605 | D VARACTOR SVC333 (A) DOUBLE | 1-R129 | ER-322787 | △ R CBH SNP FS RDS 1/4W 100J |
| 1-D12 | ED-323057 | D VARISTER MV12 | 1-R204 | ER-324186 | △ R CBH SNP FS RDS 1/4W 681J |
| 1-D13, 14 | ED-301911 | D SILICON H DS448 | 1-R222 | ER-324186 | R CBH SNP FS RDS 1/4W 81J |
| 1-D15 | ED-200469 | D SILICON H DS448 FA5 F10 | 1-C42 | EC-330309 | C STY F05 CQ09S 511J 50DC (EXCEPT C, A) |
| 1-D16 | ED-200469 | D SILICON H DS448 FA5 F10 (L) | 1-C42 | EC-323252 | C STY V CQ09S 771J 50DC (C, A) |
| 1-D17 | ED-301911 | D SILICON H DS448 | | | |
| 1-D18 | ED-200469 | D SILICON H DS448 FA5 F10 | | | |
| 1-D19 to 21 | ED-301911 | D SILICON H DS448 | | | |
| 1-D22, 23 | ED-200469 | D SILICON H DS448 FA5 F10 (L) | | | |
| 1-D24 | ED-200469 | D SILICON H DS448 FA5 F10 (J) | | | |
| 1-D25, 26 | ED-200469 | D SILICON H DS448 FA5 F10 (C, A) | | | |
| 1-D27 | ED-200469 | D SILICON H DS448 FA5 F10 (V) | | | |
| 1-D28 | ED-200469 | D SILICON H DS448 FA5 F10 | | | |
| 1-D29, 30 | ED-200469 | D SILICON H DS448 FA5 F10 (V) | | | |

When ordering parts, please quote Parts Number, Description and Model Number.

2. POWER P.C BOARD BLOCK

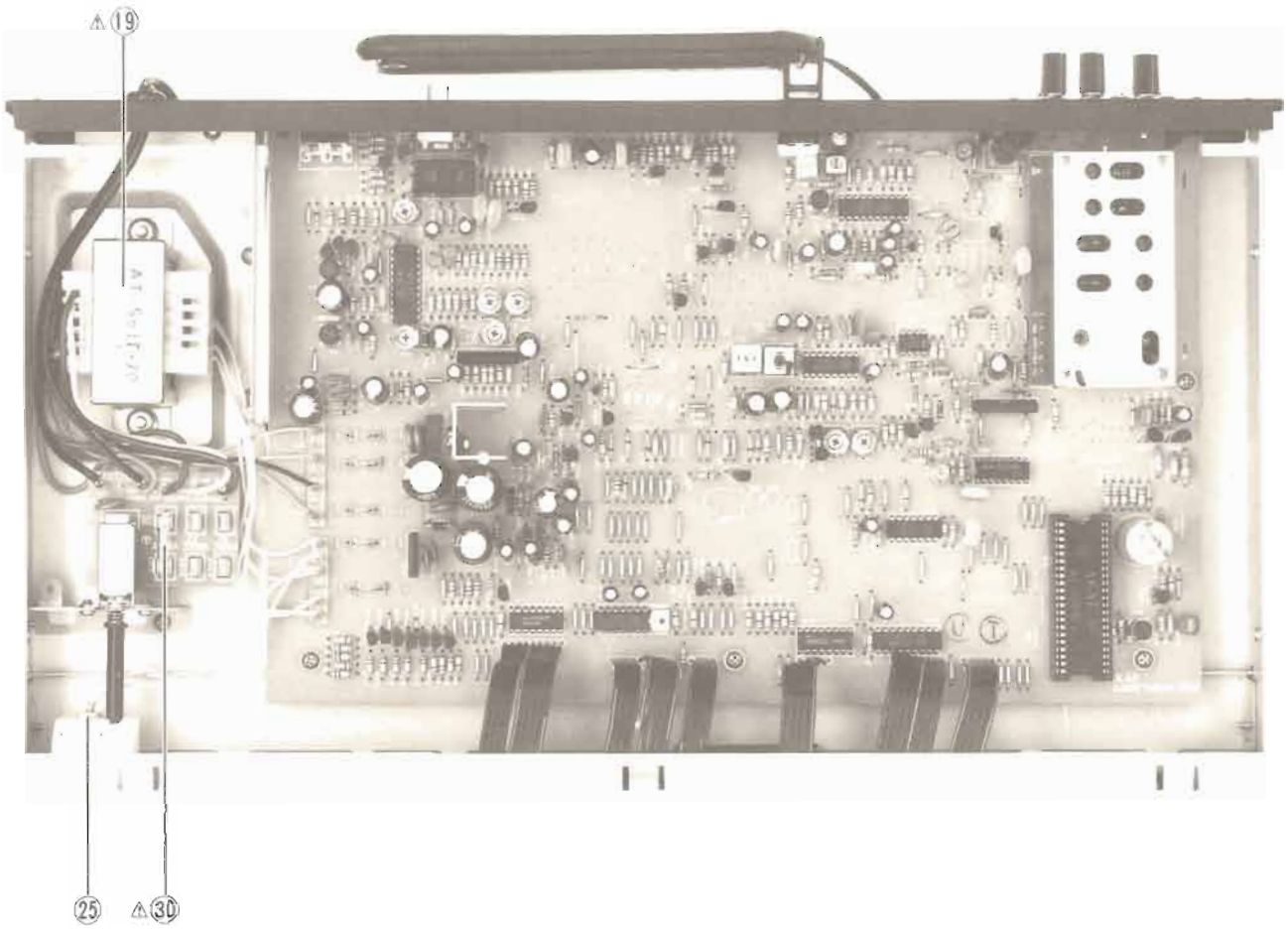
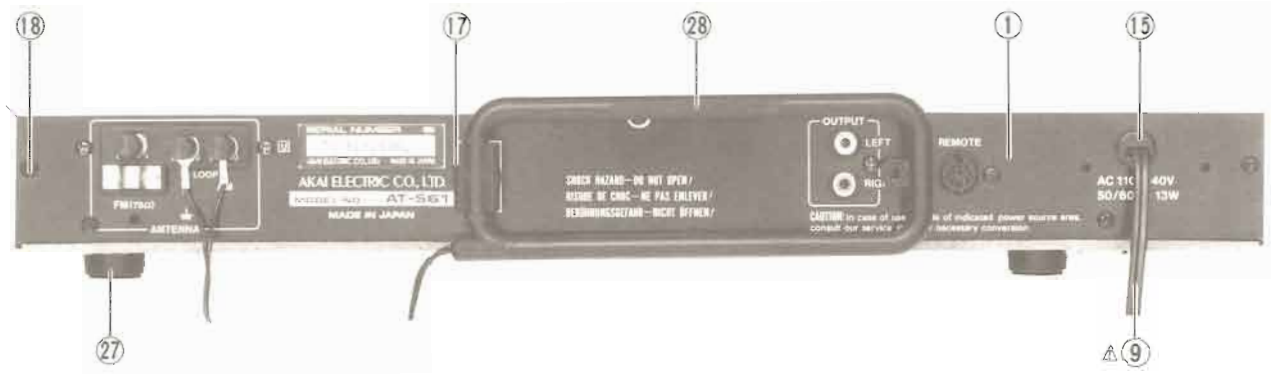
| REF. NO. | PARTS NO. | DESCRIPTION |
|----------------------------------|-----------|--|
| 1-C43 | EC-330309 | C STY F05 CQ09S 511J 50DC (EXCEPT C, A) |
| 1-C43 | EC-323252 | C STY V CQ09S 771J 50DC (C, A) |
| 1-C64 | EC-300448 | C STY V F05 CQ09S 4900G 50DC (EXCEPT L) |
| 1-C64 | EC-338585 | C STY V SNP CQFS 4700G 50DC (L) |
| 1-C65 | EC-334065 | C STY V F05 CQ09S 161J 50DC (L) |
| 1-C106 | EC-337581 | C EC 224 5DC |
| 1-C119, 120 | EC-320548 | C CE V F 103Z 250AC |
| 1-VC1 | EC-336865 | C S-FIX H CTZ51C 3.0-10 (EXCEPT L) |
| 1-VC1 | EC-337603 | C S-FIX H CTZ51F132 5.5-30 (L) |
| 1-VC2 | EC-337602 | C S-FIX H CTZ51E127 4.5-20 (L) |
| 1-VC3 | EC-337603 | C S-FIX H CTZ51F132 5.5-30 |
| 1-TM1 | EJ-341367 | TERMINAL W/SCREW T5827 P 3P (U) |
| 1-TM1 | EJ-337595 | TERMINAL W/SCREW T5820 P.2P (C, A, J) |
| 1-TM1 | EJ-337596 | TERMINAL W/SCREW T5819 P 2P (E, B, S) |
| 1-TM1 | EJ-337597 | TERMINAL W/SCREW T5818 P 2P (V) |
| OPERATION P.C BOARD BLOCK | | |
| 1-IN1 | EM-337426 | IND FL 9-BT-01ZK CHARACTER |
| 1-D1 to 3 | ED-337414 | D LED SLP-235B GRN |
| 1-D4 to 6 | ED-301911 | D SILICON H DS448 |
| 1-D7 to 13 | ED-337414 | D LED SLP-235B GRN |
| 1-D14 | ED-337413 | D LED SLP-135B RED |
| 1-SW1 to 20 | ES-336760 | SW TACT EVQ-QJR02K |

| REF. NO. | PARTS NO. | DESCRIPTION |
|----------|-----------|---|
| 2-SW1 | ES-336909 | △ SW PUSH ESB-90259S 01-1 C (U, E, B, S) |
| 2-SW1 | ES-328788 | △ SW PUSH ESB-90144T 01-1 UC (C, A) |
| 2-SW1 | ES-328787 | △ SW PUSH ESB-90149R 01-1 J (J) |
| 2-C1 | EC-320548 | △ C CE V F 103Z 250AC (U, J) |
| 2-C1 | EC-314688 | △ C CE V FZ 103P 125AC (C, A) |
| 2-C1 | EC-338496 | △ C CE V FZ 472P 400AC (E, B, S) |
| 2-C1 | EC-338577 | △ C CE V F 472M 400AC (E, B) (L) |

3. FILTER P.C BOARD BLOCK (V ONLY)

| REF. NO. | PARTS NO. | DESCRIPTION |
|--|-----------|------------------------------------|
| FILTER P.C BOARD BLOCK (V ONLY) | | |
| 3-FL1 | EO-338409 | △ COIL LF FKOB160MH02 250μH (V) |
| POWER P.C BOARD BLOCK (V ONLY) | | |
| 3-SW1 | ES-336909 | △ SW PUSH ESB-90259S 01-1 C (V) |
| 3-C1 | EC-338496 | △ C CE V FZ 472P 400AC (V) |

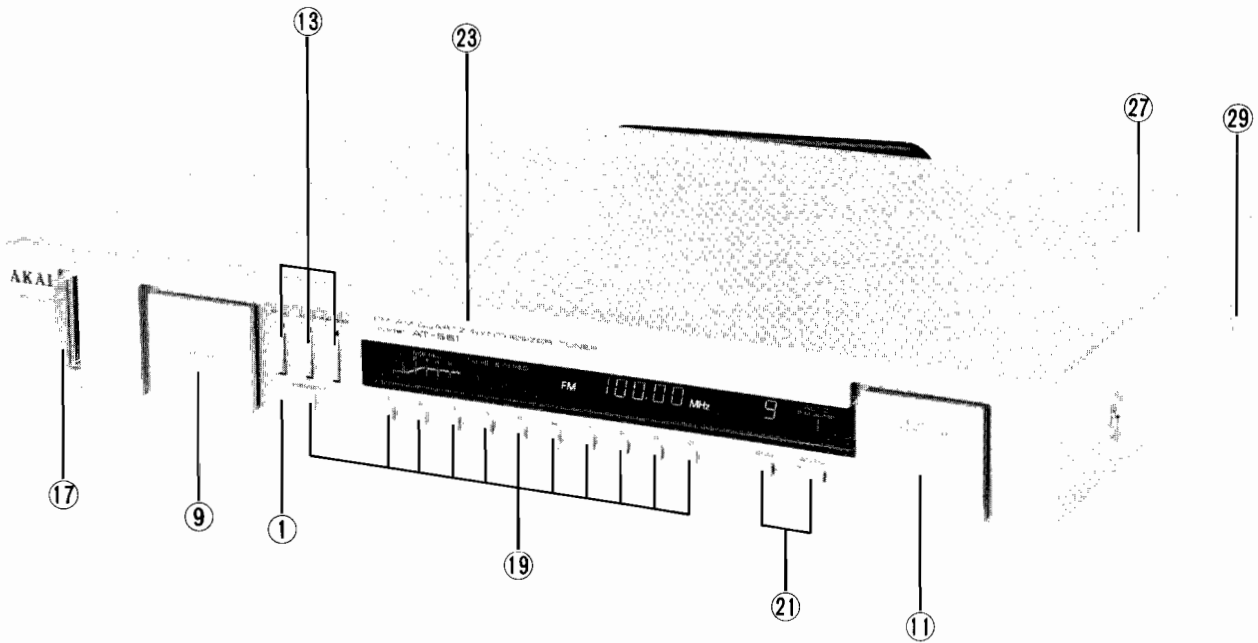
ASSEMBLY BLOCK



4. ASSEMBLY BLOCK

| REF. NO. | PARTS NO. | DESCRIPTION |
|----------|------------|---|
| 4-1 | SP-332734A | PANEL REAR AT-S61(U) |
| 4-2x | SP-332734B | PANEL REAR AT-S61(C) |
| 4-3x | SP-332734C | PANEL REAR AT-S61 (A) |
| 4-4x | SP-332734D | PANEL REAR AT-S61 (E, V) |
| 4-5x | SP-332734E | PANEL REAR AT-S61 (S) |
| 4-6x | SP-332734F | PANEL REAR AT-S61L (E) |
| 4-7x | SP-332734G | PANEL REAR AT-S61L (B) |
| 4-8x | SP-332734H | PANEL REAR AT-S61 (J) |
| 4-9 | EW-306428 | △ AC CORD 2 CORES KP-205A, VFF J (U) |
| 4-10x | EW-306427 | △ AC CORD 2 CORES KP-211, VFF J (J) |
| 4-11x | EW-305691 | △ AC CORD 2 CORES KP-8, SPT-1 UC (C, A) |
| 4-12x | EW-336923 | △ AC CORD 2 CORES KP-419C, LTCE-2F E (E, S) |
| 4-13x | EW-336926 | △ AC CORD GTBS-2F 24/0.20x2 B (B) |
| 4-14x | EW-336924 | △ AC CORD 2 CORES KP-560, LTSA-2F S (V) |
| 4-15 | SZ-631945 | STRAIN RELIEF SR-4N-4 (EXCEPT B) |
| 4-16x | EJ-692908 | STRAIN RELIEF SR-5N-4 (B) |
| 4-17 | SZ-332739 | HOLDER ANTENNA |
| 4-18 | ZS-319460 | T2BR30x06STL BZN PROJECTION |
| 4-19 | BT-337970 | △ TRANS POWER AT-S61T-70 (U) |
| 4-20x | BT-337978 | △ TRANS POWER AT-S61T-11 (J) |
| 4-21x | BT-337971 | △ TRANS POWER AT-S61T-30 (C, A) |
| 4-22x | BT-337973 | △ TRANS POWER AT-S61T-40 (B) (E, V) |
| 4-23x | BT-337974 | △ TRANS POWER AT-S61T-50 (B) (B, S) |
| 4-24x | ZW-698308 | RV NYL30x055 BL |
| 4-25 | EL-337975 | PL CORD 9.0V 40MA 140/140 (IN901) |
| 4-26x | SP-332738 | COVER BOTTOM |
| 4-27 | SA-332850 | ROUND FOOT |
| 4-28 | EE-337976 | ANT LOOP LA-200A |
| 4-29x | ZW-305013 | RV POP32 (A) |
| 4-30 | EF-308933 | △ FUSE TSC A 250V 0.20A (F1) (U) |
| 4-31x | EF-309389 | △ FUSE TSC A 250V 0.40A (F1) (U) |
| 4-32x | EF-327103 | △ FUSE TSC A 250V 0.50A (F1) (J) |
| 4-33x | EF-309390 | △ FUSE TSC 125V 0.50A (F1, 2, 3) (C, A) |
| 4-34x | EF-306088 | △ FUSE TSC 125V 0.31A (F4) (C, A) |
| 4-35x | EF-315334 | △ FUSE TSC 125V 0.25A (F5) (C, A) |
| 4-36x | EF-300599 | △ FUSE FST3100 T 250V 0.40A (F1, 2) (E, B, S, V) |
| 4-37x | EF-322975 | △ FUSE EAWK T 250V 0.16A (F3) (E, B, S, V) |
| 4-38x | EF-300588 | △ FUSE EAWK T 250V 0.20A (F4) (E, B, S, V) |
| 4-39x | EF-322975 | △ FUSE EAWK T 250V 0.16A (F5) (E, B, S, V) |

FINAL ASSEMBLY BLOCK



5. FINAL ASSEMBLY BLOCK

| REF. NO. | PARTS NO. | DESCRIPTION | REF. NO. | PARTS NO. | DESCRIPTION |
|----------|------------------------------|--|----------|-----------------------------|-----------------------------------|
| | PANEL OPERATION BLOCK | | | FINAL ASSEMBLY BLOCK | |
| 5-1 | BD-A3027A020A | PANEL OPERATION BLK AT-S61 (AT-S61/L) | 5-17 | SK-332744 | KNOB POWER |
| 5-2x | BD-A3027A020B | PANEL OPERATION BLK AT-S61-P (AT-S61-P/LP) | 5-18x | ZG-313182 | SP C-4.5/0.35-25.0 C-029 |
| 5-3x | BD-A3027A020C | PANEL OPERATION BLK AT-S61-J | 5-19 | SK-342499A | KNOB PUSH (B-1) |
| 5-4x | BD-A3027A020D | PANEL OPERATION BLK AT-S61-JP | 5-20x | SK-342499B | KNOB PUSH (B-1)-P |
| 5-5x | SP-332743A | PANEL OPERATION (A) (AT-S61/L) | 5-21 | SK-342499C | KNOB PUSH (B-2) |
| 5-6x | SP-332743B | PANEL OPERATION (A)-P (AT-S61-P/LP) | 5-22x | SK-342499D | KNOB PUSH (B-2)-P |
| 5-7x | SP-332743C | PANEL OPERATION (B) (AT-S61J) | 5-23 | SP-332753A | PANEL FRONT AT-S61 (AT-S61/J) |
| 5-8x | SP-332743D | PANEL OPERATION (B)-P (AT-S61JP) | 5-24x | SP-332753B | PANEL FRONT AT-S61-P (AT-S61P/JP) |
| 5-9 | SK-332745A | KNOB TUNING | 5-25x | SP-332753C | PANEL FRONT AT-S61L |
| 5-10x | SK-332745B | KNOB TUNING-P | 5-26x | SP-332753D | PANEL FRONT AT-S61L-P |
| 5-11 | SK-332747A | KNOB BAND | 5-27 | SP-332752A | COVER UPPER |
| 5-12x | SK-332747B | KNOB BAND-P | 5-28x | SP-332752B | COVER UPPER-P |
| 5-13 | SK-332750A | KNOB PUSH (A) | 5-29 | ZS-322570 | ST BID40x08STL NI3 |
| 5-14x | SK-332750B | KNOB PUSH (A)-P | 5-30x | ZS-322580 | ST BID40x08STL BNI |
| 5-15x | SE-342181 | MASK LED | | | |
| 5-16x | SZ-332748 | WIND FRONT | | | |

When ordering parts, please quote Parts Number, Description and Model Number.

II. MODEL AM-U41

AM-U41

RECOMMENDED SPARE PARTS LIST

Because, if the parts listed below are on hand, almost any repair can be accomplished, we suggest that you stock these Recommended Spare Parts Items.

| REF. NO. | PARTS NO. | DESCRIPTION | REF. NO. | PARTS NO. | DESCRIPTION |
|----------|-----------|--|----------|-----------|-----------------------------------|
| 1 | BT-341430 | △ TRANS POWER AMU-41T-10 (J) | 50 | ES-323369 | SW REMOTE S SSR24602D 04-6 |
| 2 | BT-341431 | △ TRANS POWER AMU-41T-20 (A) | 51 | ES-337398 | SW REMOTE W SBU0006F L=120 |
| 3 | BT-341432 | △ TRANS POWER AMU-41T-30 (C) | 52 | ET-337984 | TR FET 2SK150 BL, GR |
| 4 | BT-341433 | △ TRANS POWER AMU-41T-40 (E, V) | 53 | ET-337759 | TR FET 2SK246 GR |
| 5 | BT-341434 | △ TRANS POWER AMU-41T-50 (B, S) | 54 | ET-337234 | TR FET 2SK270 GR, BL |
| 6 | BT-341435 | △ TRANS POWER AMU-41T-70 (U) | 55 | ET-200479 | TR 2SA1115 D, E, F |
| 7 | ED-337391 | D LED GL-5NG6 GRN | 56 | ET-337985 | TR 2SA1144 O, Y |
| 8 | ED-330320 | D SILICON DBA10C 200/1.0A | 57 | ET-305463 | TR 2SA970 GR, BL |
| 9 | ED-336805 | D SILICON DS135D-KBI 200/1.0A | 58 | ET-308866 | TR 2SA979 G, H |
| 10 | ED-337153 | D SILICON H DS446FA5 F10 | 59 | ET-337760 | TR 2SA984K F |
| 11 | ED-200469 | D SILICON H DS448 FA5 F10 | 60 | ET-301165 | TR 2SB631K E, F |
| 12 | ED-323057 | D VARISTOR MV12 | 61 | ET-307195 | TR 2SC2240 GR, BL |
| 13 | ED-330218 | D ZENER H HZ15L 2 | 62 | ET-337758 | TR 2SC2259 G, H |
| 14 | ED-337990 | D ZENER H HZ27L 1 | 63 | ET-308977 | TR 2SC2274K F |
| 15 | ED-337750 | D ZENER H 05Z16Y | 64 | ET-337986 | TR 2SC2704 O, Y |
| 16 | ED-338096 | D ZENER H 05Z2.0 X | 65 | ET-316171 | TR 2SC536K-NP E, F |
| 17 | ED-337761 | D ZENER H 05Z24 X | 66 | ET-300931 | TR 2SD600K E, F |
| 18 | ED-337751 | D ZENER H 05Z4.3 X | 67 | ET-328440 | TR 2SD863-V8 E, F |
| 19 | ED-323534 | D ZENER H 05Z20 Z | 68 | EV-325629 | VR ROTARY 16P20x1Q C104 |
| 20 | EF-258344 | △ FUSE SEMKO T 250V 0.80A (F2, 3, 4) (E, B, S, V) | 69 | EV-325630 | VR ROTARY 16P20x1R C104 |
| 21 | EF-623125 | △ FUSE SEMKO T 250V 2.5A (F1) (E, B, S, V) | 70 | EV-337987 | VR ROTARY 16P20x2W 1Z254 2Z254 |
| 22 | EF-623125 | △ FUSE SEMKO T 250V 2.5A (F1) (U) | 71 | EV-337308 | VR SLIDE 100P2SV0B B254 |
| 23 | EF-249851 | △ FUSE SEMKO T 250V 5A (F1) (U) | | | |
| 24 | EF-459843 | △ FUSE ST6 125V 5A (F1) (C, A) | | | |
| 25 | EF-200952 | △ FUSE TSC A 250V 6.3A (F1) (J) | | | |
| 26 | EF-309388 | △ FUSE TSC A 250V 0.80A (F2, 3, 4) (J) | | | |
| 27 | EF-309391 | △ FUSE TSC 125V 0.08A (F2) (C, A) | | | |
| 28 | EF-310229 | △ FUSE TSC 125V 1A (F3, 4) (C, A) | | | |
| 29 | EI-337593 | IC STK-1060 (2) | | | |
| 30 | EI-200938 | IC TA75558S | | | |
| 31 | EJ-337405 | △ SOCKET OUTLET S2T733T164 JUC 3x2P (U, J, C, A) | | | |
| 32 | EL-337757 | PL LEAD 14.0V 50MA | | | |
| 33 | EP-323565 | RELAY POWER G2Z-222P-US 2NO 24V | | | |
| 34 | EP-337416 | RELAY SIGNAL G2V-282P-NL 2TR 12V | | | |
| 35 | ER-338000 | △ R FUSE ERD2FC F10 1/4W 2200G | | | |
| 36 | ER-337756 | △ R FUSE ERD2FC F10 1/4W 4700G | | | |
| 37 | ER-332225 | △ R FUSE ERD2FC F10 1/4W 56R0G | | | |
| 38 | ES-337390 | △ SW PUSH ESB-70274T 01-1 UC (C) | | | |
| 39 | ES-328788 | △ SW PUSH ESB-90144T 01-1 UC (A) | | | |
| 40 | ES-328787 | △ SW PUSH ESB-90149R 01-1 J (J) | | | |
| 41 | ES-336909 | △ SW PUSH ESB-90259S 01-1 C (U, E, B, S, V) | | | |
| 42 | ES-337394 | SW PUSH SUL122A 02-2 S | | | |
| 43 | ES-337392 | SW PUSH SUL232S 2-THROW | | | |
| 44 | ES-337393 | SW PUSH SUL241A 2-THROW | | | |
| 45 | ES-337998 | SW PUSH SUL532A 5-THROW | | | |
| 46 | ES-337389 | SW PUSH SUN222A 2-THROW | | | |
| 47 | ES-337317 | SW REMOTE B SWR1300 L=300 | | | |
| 48 | ES-337403 | SW REMOTE O SUR510 | | | |
| 49 | ES-337388 | SW REMOTE S SSR2435 04-3 | | | |

When ordering parts, please quote Parts Number, Description and Model Number.

1. MAIN AMP P.C BOARD BLOCK

| REF. NO. | PARTS NO. | DESCRIPTION |
|----------|---------------|----------------------------------|
| 1-1 | BA-A2018A060A | PC MAIN AMP BLK AM-U41 (U) |
| 1-2 | BA-A2018A060B | PC MAIN AMP BLK AM-U41 (J) |
| 1-3 | BA-A2018A060C | PC MAIN AMP BLK AM-U41 (C, A) |
| 1-4 | BA-A2018A060D | PC MAIN AMP BLK AM-U41 (E, B, S) |
| 1-5 | BA-A2018A060E | PC MAIN AMP BLK AM-U41P (U) |
| 1-6 | BA-A2018A060F | PC MAIN AMP BLK AM-U41P (J) |
| 1-7 | BA-A2018A060G | PC MAIN AMP BLK AM-U41 (C, A) |
| 1-8 | BA-A2018A060H | PC MAIN AMP BLK AM-U41 (E, B, S) |
| 1-9 | BA-A2018A060J | PC MAIN AMP BLK AM-U41 (V) |
| 1-10 | BA-A2018A060K | PC MAIN AMP BLK AM-U41-P (V) |

MAIN AMP P.C BOARD BLOCK

| | | |
|--------------|-----------|-------------------------------------|
| 1-IC1 | EI-200938 | IC TA75558S |
| 1-IC3 | EI-200938 | IC TA75558S |
| 1-TR1 | ET-328440 | TR 2SD863-V8 E, F |
| 1-TR2 | ET-337984 | TR FET 2SK150 BL, GR |
| 1-TR3 | ET-337758 | TR 2SC2259 G, H |
| 1-TR4 | ET-308866 | TR 2SA979 G, H |
| 1-TR7 | ET-305463 | TR 2SA970 GR, BL |
| 1-TR8 | ET-307195 | TR 2SC2240 GR, BL |
| 1-TR9 | ET-337985 | △ TR 2SA1144 O, Y |
| 1-TR10 | ET-337986 | △ TR 2SC2704 O, Y |
| 1-TR11 | ET-305463 | TR 2SA970 GR, BL |
| 1-TR12 to 14 | ET-307195 | TR 2SC2240 GR, BL |
| 1-TR15 | ET-305463 | TR 2SA970 GR, BL |
| 1-TR16, 17 | ET-316171 | TR 2SC536K-NP E, F |
| 1-TR18 | ET-305463 | TR 2SA970 GR, BL |
| 1-TR19 | ET-328440 | TR 2SD863-V8 E, F |
| 1-TR20, 21 | ET-337759 | TR FET 2SK246 GR |
| 1-TR22 | ET-300931 | △ TR 2SD600K E, F |
| 1-TR23 | ET-301165 | △ TR 2SB631K E, F |
| 1-TR24 | ET-307195 | TR 2SC2240 GR, BL |
| 1-TR25 | ET-337760 | TR 2SA984K F |
| 1-TR26 | ET-300931 | △ TR 2SD600K E, F |
| 1-TR27 | ET-301165 | △ TR 2SB631K E, F |
| 1-D1, 2 | ED-338096 | D ZENER H 05Z2.0 X |
| 1-D3 | ED-200469 | D SILICON H DS448 FA5 F10 |
| 1-D4 to 7 | ED-337153 | D SILICON H DS446 FA5 F10 |
| 1-D8, 9 | ED-200469 | D SILICON H DS448 FA5 F10 |
| 1-D10 | ED-337153 | D SILICON H DS446 FA5 F10 |
| 1-D11 | ED-337750 | D ZENER H 05Z16 Y |
| 1-D12 | ED-337153 | D SILICON H DS446 FA5 F10 |
| 1-D13 | ED-336805 | △ D SILICON DS135D-KB1 200/1.0A |
| 1-D14 | ED-337153 | D SILICON H DS446 FA5 F10 |
| 1-D15 | ED-200749 | △ D SILICON DBA60-K15 400/6.0A |
| 1-D16 | ED-330320 | △ D SILICON DBA10C 200/1.0A |
| 1-D17 | ED-323534 | D ZENER 05Z20 Z |
| 1-D18, 19 | ED-337990 | D ZENER H HZ27L 1 |
| 1-D20, 21 | ED-330218 | D ZENER H HZ15L 2 |
| 1-D22 | ED-337153 | D SILICON H DS446 FA5 F10 |
| 1-D23 | ED-337751 | D ZENER H 05Z4.3 X |
| 1-D24 | ED-337761 | D ZENER H 05Z24 X |
| 1-D25, 26 | ED-200469 | D SILICON H DS448 FA5 F10 |
| 1-D27, 28 | ED-337751 | D ZENER H 05Z4.3 X |
| 1-D29 | ED-337153 | D SILICON H DS446 FA5 F10 |
| 1-SW1 | ES-337389 | SW PUSH SUN222A 2-THROW |
| 1-SW2 | ES-337394 | SW PUSH SUL122A 02-2 S |
| 1-VR1 | EV-325629 | VR ROTARY 16P20x1Q C104 |
| 1-VR2 | EV-325630 | VR ROTARY 16P20x1R C104 |
| 1-VR3 | EV-337987 | VR ROTARY 16P20x2W 1Z254 2Z254 |
| 1-RL1 | EP-337416 | RELAY SIGNAL G2V-282P-NL 2TR 12V |
| 1-RL2 | EP-323565 | RELAY POWER G2Z-222P-US 2NO 24V |
| 1-L1 | EO-332116 | COIL FIX 2 103AK-006A 2.2μH |

| REF. NO. | PARTS NO. | DESCRIPTION |
|-------------|-----------|---|
| 1-FR1 | ER-332225 | △ R FUSE ERD2FC F10 1/4W 56ROG (U, E, B, S, V) |
| 1-FR2 | ER-338000 | △ R FUSE ERD2FC F10 1/4W 2200G (U, E, B, S, V) |
| 1-FR3, 4 | ER-337756 | △ R FUSE ERD2FC F10 1/4W 4700G (U, E, B, S, V) |
| 1-R17 | ER-324337 | △ R CB H SNP FS RDS 1/4W 560J (U, J, C, A) |
| 1-R32 | ER-337752 | △ R OMF H FS 1W 103J |
| 1-R35 | ER-324185 | △ R CB H SNP FS RDS 1/4W 221J (U, J, C, A) |
| 1-R39, 40 | ER-323075 | △ R CB H SNP FS RDS 1/4W 472J |
| 1-R41, 42 | ER-322591 | △ R CB H SNP FS RDS 1/4W 101J |
| 1-R47, 48 | ER-328082 | △ R CB H SNP FS RDS 1/4W 332J |
| 1-R51 | ER-323075 | △ R CB H SNP FS RDS 1/4W 472J |
| 1-R52 | ER-333689 | △ R CB H SNP FS RDS 1/2W 682J |
| 1-R59, 60 | ER-323075 | △ R CB H SNP FS RDS 1/2W 472J |
| 1-R61, 62 | ER-316802 | △ R CB H SNP FS RDS 1/4W 471J (U, J, C, A) |
| 1-R68, 69 | ER-337754 | △ R OMF H SNP FS 1W 100J |
| 1-R74 | ER-337755 | △ R OMF H SNP FS 2W 222J |
| 1-R75 | ER-322361 | △ R OMF H SNP FS 2W 102J |
| 1-R76 | ER-624756 | △ R OMF H FS 2W 331J |
| 1-R80 | ER-337754 | △ R OMF H SNP FS 1W 100J |
| 1-R90, 91 | ER-323075 | △ R CB H SNP FS RDS 1/4W 472J |
| 1-R94, 95 | ER-333698 | △ R CB H SNP FS RDS 1/2W 821J |
| 1-C27, 28 | EC-332052 | C EC V F05 NP SM 4R7M 35DC |
| 1-C31 | EC-334013 | C EC V CUT NP SM 331M 6.3DC |
| 1-C38, 39 | EC-337306 | C EC V 123/56DC |
| 1-C42 | EC-320548 | C CE V F 103Z 250AC (U, J, C, A) |
| 1-C42 | EC-326583 | C MMY V CUT CF921 473K 400DC (E, B, S, V) |
| 1-C43 | EC-320548 | C CE V F 103Z 250AC (U, J, C, A) |
| 1-C43 | EC-326583 | C MMY V CUT CF921 473K 400DC (E, B, S, V) |
| 1-C44, 45 | EC-320548 | C CE V F 103Z 250AC |
| 1-C46 to 49 | EC-320548 | C CE V F 103Z 250AC (E, B, S, V) |

MUTE P.C BOARD BLOCK

| | | |
|-------|-----------|-------------------------|
| 1-SW1 | ES-337393 | SW PUSH SUL241A 2-THROW |
|-------|-----------|-------------------------|

SPEAKER SW P.C BOARD BLOCK

| | | |
|-------|-----------|-------------------------|
| 1-SW1 | ES-337392 | SW PUSH SUL232S 2-THROW |
|-------|-----------|-------------------------|

LAMP (1) P.C BOARD BLOCK

| | | |
|----------|-----------|--------------------|
| 1-IN1, 2 | EL-337757 | PL LEAD 14-0V 50MA |
|----------|-----------|--------------------|

LAMP (2) P.C BOARD BLOCK

| | | |
|-----------|-----------|--------------------|
| 1-IN1 | EL-337757 | PL LEAD 14.0V 50MA |
| 1-D1 to 4 | ED-337391 | D LED GL-5NG6 GRN |

VR (1) P.C BOARD BLOCK

| | | |
|-------|-----------|-------------------------|
| 1-VR1 | EV-337308 | VR SLIDE 100P2SV0B B254 |
|-------|-----------|-------------------------|

HEAD PHONE P.C BOARD BLOCK

(EXCEPT V)

| | | |
|------|-----------|-------------------------------|
| 1-J8 | EJ-336885 | PHONE J 3P HLJ0607-023 63 |
| 1-J8 | EJ-336886 | PHONE J 3P HLJ0607-020 63 (P) |

HEAD PHONE P.C BOARD BLOCK

(V ONLY)

| | | |
|------|-----------|-------------------------------|
| 1-J8 | EJ-336885 | PHONE J 3P HLJ0607-023 63 |
| 1-J8 | EJ-336886 | PHONE J 3P HLJ0607-020 63 (P) |
| 1-L1 | EO-336934 | COIL FIX 1 LAL03KH 2.2μH M |

2. EQUALIZER P.C BOARD BLOCK

| REF. NO. | PARTS NO: | DESCRIPTION |
|----------|---------------|---|
| 2-1 | BA-A2018A040A | PC EQ BLK AM-U41 (U) (U, J, C, A, E, B, S) |
| 2-2 | BA-A2018A040B | PC EQ BLK AM-U41 (V) |

EQUALIZER P.C BOARD BLOCK

| | | |
|------------|-----------|--|
| 2-TR1 | ET-337234 | TR FET 2SK270 GR, BL |
| 2-TR2, 3 | ET-307195 | TR 2SC2240 GR, BL |
| 2-TR4 to 6 | ET-305463 | TR 2SA970 GR, BL |
| 2-TR7 | ET-307195 | TR 2SC2240 GR, BL |
| 2-TR8 | ET-308977 | TR 2SC2274K F |
| 2-TR9 | ET-337760 | TR 2SA984K F |
| 2-D1 to 3 | ED-200469 | D SILICON H DS448 FA5 F10 |
| 2-D4 | ED-323057 | D VARISTER MV12 |
| 2-D5 | ED-200469 | D SILICON H DS448 FA5 F10 |
| 2-J1 | EJ-337404 | PIN J AJC-052-ABB P 6P |
| 2-J4 | EJ-324913 | SOCKET JAMPER W-D0606 6P |
| 2-SW1 | ES-337388 | SW REMOTE S SSR2435 04-3 |
| 2-SW2 | ES-337998 | SW PUSH SUL532A 5 THROW |
| 2-SW3 | ES-323369 | SW REMOTE S SSR24602D 04-6 |
| 2-L1 | EO-337684 | COIL FIX 2 FL12R751E 750 μ H |
| 2-L2, 3 | EO-336934 | COIL FIX 1 LAL03KH 2.2 μ H M |
| 2-FR1, 2 | ER-332225 | Δ R FUSE ERD2FC F10 1/4W 56R0G |
| 2-R15 | ER-337999 | R MF H F10 1/4W 82R0F |
| 2-R16 | ER-337100 | R MF H F10 1/4W 9R10F |
| 2-R17 | ER-323352 | R MF H F10 1/4W 4532F |
| 2-R18 | ER-323351 | R MF H F10 1/4W 3741F |
| 2-R27, 28 | ER-324934 | R CB H SNP FS RDS 1/4W 220J |
| 2-C6 | EC-324103 | C PP V SNP PS 6972G 50DC |
| 2-C7 | EC-324102 | C PP V SNP PS 2002G 50DC |

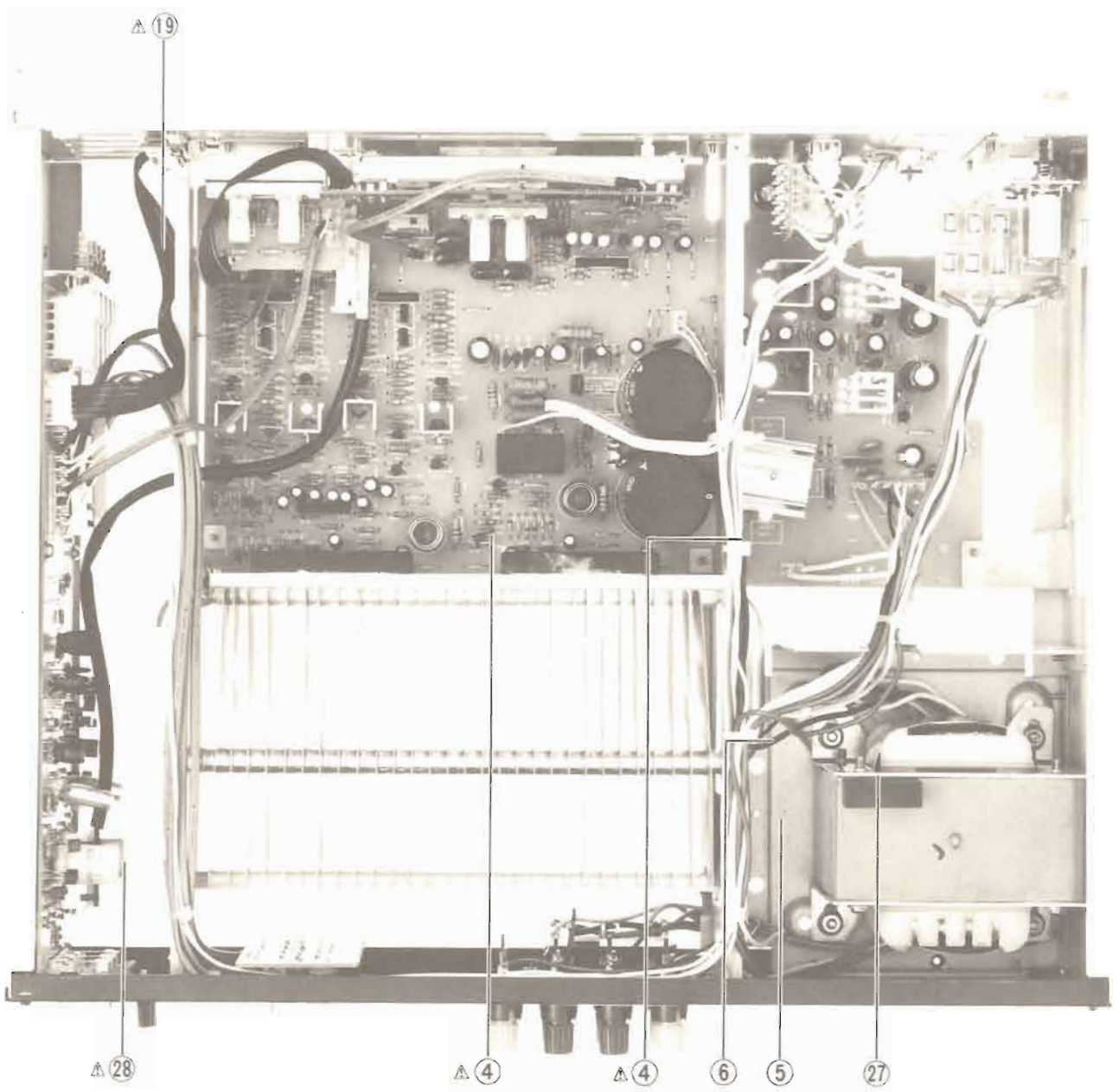
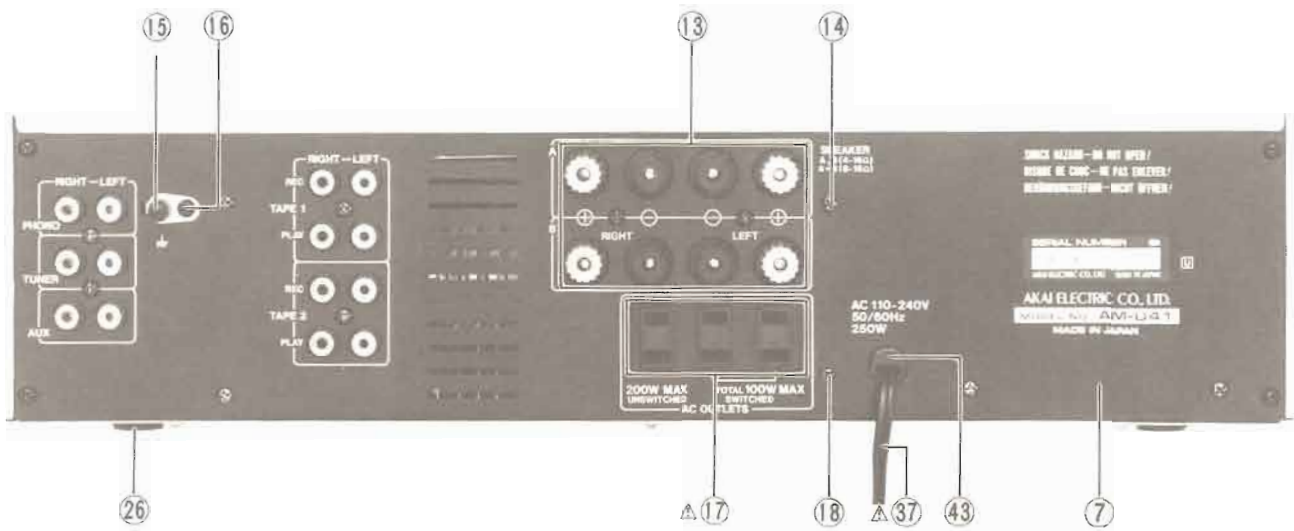
PIN JACK P.C BOARD BLOCK

| | | |
|-----------|-----------|----------------------------------|
| 2-J1 | EO-336934 | COIL FIX 1 LAL03KH 2.2 μ H M |
| 2-J2 | EJ-336915 | PIN J C-810 P 4P |
| 2-L1 to 4 | EO-336934 | COIL FIX 1 LAL03KH 2.2 μ H M |

3. POWER P.C BOARD BLOCK

| REF. NO. | PARTS NO. | DESCRIPTION |
|----------|-----------|---|
| 3-SW1 | ES-336909 | Δ SW PUSH ESB-90259S 01-1 C (U, E, B, S, V) |
| 3-SW1 | ES-328787 | Δ SW PUSH ESB-90149R 01-1 J (J) |
| 3-SW1 | ES-337390 | Δ SW PUSH ESB-70274T 01-1 UC (C) |
| 3-SW1 | ES-328788 | Δ SW PUSH ESB-90144T 01-1 UC (A) |
| 3-FL1 | EO-338409 | Δ COIL LF FKOB160MH02 250 μ H (V) |
| 3-C1 | EC-320548 | Δ C CE V F 103Z 250AC (U, J) |
| 3-C1 | EC-338411 | Δ C CE V FZ 103P 400AC (B, S, V) |
| 3-C1 | EC-330308 | Δ C MMY V ECQUF 103M 250AC (E) |
| 3-C1 | EC-314688 | Δ C CE V FZ 103P 125AC (C, A) |

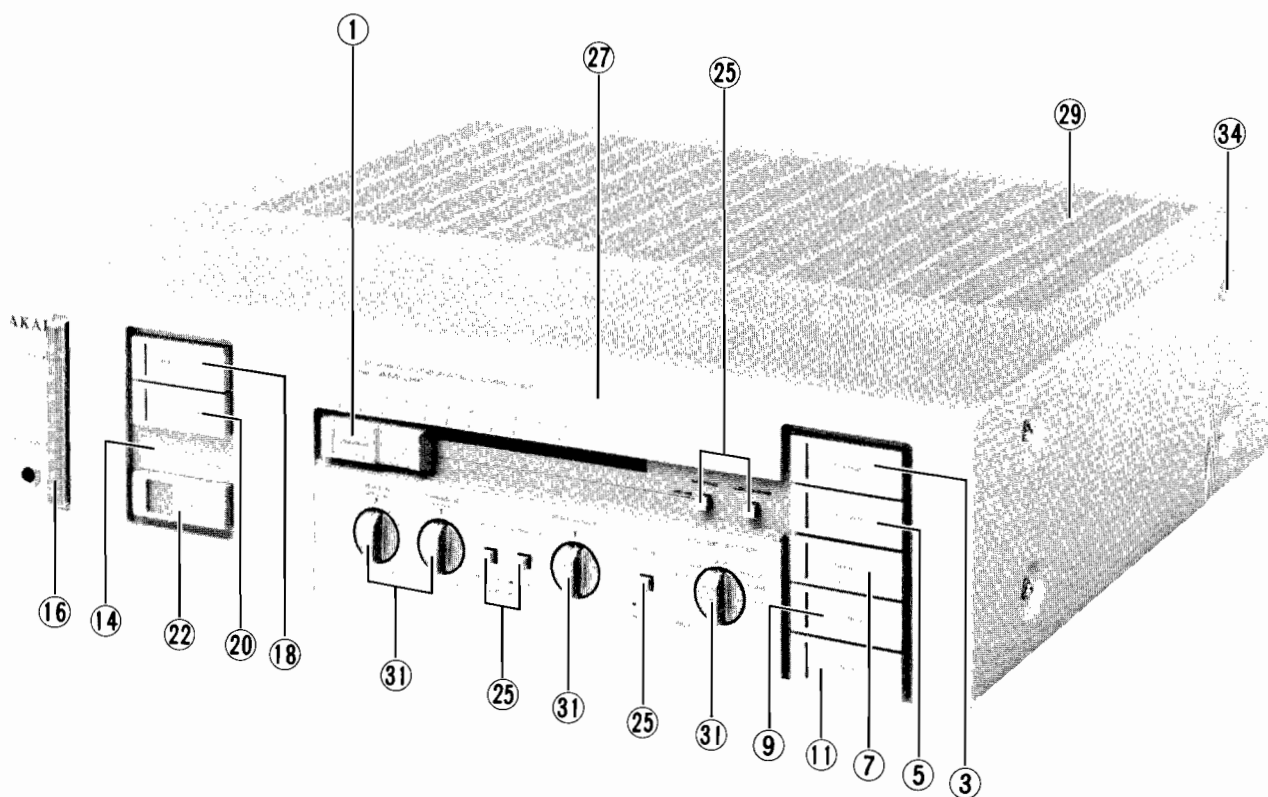
ASSEMBLY BLOCK



4. ASSEMBLY BLOCK

| REF. NO. | PARTS NO. | DESCRIPTION | REF. NO. | PARTS NO. | DESCRIPTION |
|----------|---------------------------------|-------------------------------------|----------|-----------------------|---|
| | LED (1) P.C BOARD BLOCK | | | ASSEMBLY BLOCK | |
| 4-1x | ED-337391 | D LED GL-5NG6 GRN (D1to10) | 4-7 | SP-336440B | PANEL REAR AM-U41 (U) |
| | TERMINAL P.C BOARD BLOCK | | 4-8x | SP-336440A | PANEL REAR AM-U41 (J) |
| 4-2x | EJ-342935 | TERMINAL (J1)(V) | 4-9x | SP-336440D | PANEL REAR AM-U41 (C) |
| 4-3x | EO-342936 | COIL BALUN (FL1)(V) | 4-10x | SP-336440C | PANEL REAR AM-U41 (A) |
| | MAIN AMP BLOCK | | 4-11x | SP-336440E | PANEL REAR AM-U41 (E)(E, V) |
| 4-4 | EI-337593 | △ IC STK-1060 (2)(IC2) | 4-12x | SP-336440F | PANEL REAR AM-U41 (B)(B, S) |
| | SW REMOTE BLOCK | | 4-13 | EJ-337406 | TERMINAL W/SCREW ANB-024-AAA S 8P |
| 4-5 | ES-337403 | SW REMOTE O SUR510 (PHONO MM/MC) | 4-14 | ZS-522865 | T2BR30x12STL BNI |
| 4-6 | ES-337317 | SW REMOTE B SWR1300 L=300 | 4-15 | EJ-329610 | TERMINAL W/SCREW UB-0067 L 1P |
| | | | 4-16 | ZS-308846 | T2BR30x08STL BZN PROJECTION |
| | | | 4-17 | EJ-337405 | △ SOCKET OUTLET S2T733T164 JUC 3x2P (U, J, C, A) |
| | | | 4-18 | ZS-308846 | T2BR30x08STL BZN PROJECTION |
| | | | 4-19 | BT-341435 | △ TRANS POWER AMU-41T-70 (U) |
| | | | 4-20x | BT-341430 | △ TRANS POWER AMU-41T-10 (J) |
| | | | 4-21x | BT-341432 | △ TRANS POWER AMU-41T-30 (C) |
| | | | 4-22x | BT-341431 | △ TRANS POWER AMU-41T-20 (A) |
| | | | 4-23x | BT-341433 | △ TRANS POWER AMU-41T-40 (E, V) |
| | | | 4-24x | BT-341434 | △ TRANS POWER AMU-41T-50 (B, S) |
| | | | 4-25x | SP-336441 | COVER LOWER (A) |
| | | | 4-26 | SA-332850 | ROUND FOOT |
| | | | 4-27 | ES-337398 | SW REMOTE W SBU0006F L=120 (REC SELECTOR) |
| | | | 4-28 | EF-249851 | FUSE SEMKO T 250V 5A (F1)(U) |
| | | | 4-29x | EF-623125 | △ FUSE SEMKO T 250V 2.5A (F1)(U) |
| | | | 4-30x | EF-200952 | △ FUSE TSC A 250V 6.3A (F1)(J) |
| | | | 4-31x | EF-309388 | △ FUSE TSC A 250V 0.80A (F2, 3, 4)(J) |
| | | | 4-32x | EF-459843 | △ FUSE ST6 125V 5A (F1)(C, A) |
| | | | 4-33x | EF-309391 | △ FUSE TSC 125V 0.08A (F2) (C, A) |
| | | | 4-34x | EF-310229 | △ FUSE TSC 125V 1A (F3, 4)(C, A) |
| | | | 4-35x | EF-623125 | △ FUSE SEMKO T 250V 2.5A (F1)(E, B, S, V) |
| | | | 4-36x | EF-258344 | △ FUSE SEMKO T 250V 0.80A (F2, 3, 4)(E, B, S, V) |
| | | | 4-37 | EW-306428 | △ AC CORD 2 CORES KP-205A, VFF J (U) |
| | | | 4-38x | EW-306427 | △ AC CORD 2 CORES KP-211, VFF J (J) |
| | | | 4-39x | EW-328245 | △ AC CORD 2 CORES KP-8/SPT-1 103C UC (C, A) |
| | | | 4-40x | EW-336923 | △ AC CORD 2 CORES KP-419C, LTCE-2 FE (E, V) |
| | | | 4-41x | EW-336926 | △ AC CORD GTBS-2F14/0.20x2 B (B) |
| | | | 4-42x | EW-336924 | △ AC CORD 2 CORES KP-560, LISA-2FS (S) |
| | | | 4-43 | SZ-631945 | STRAIN RELIEF SR-4N4 (U, J, C, A, E, S, V) |
| | | | 4-44x | EJ-692908 | STRAIN RELIEF SR-5N4 (B) |

FINAL ASSEMBLY BLOCK



5. FINAL ASSEMBLY BLOCK

| REF. NO. | PARTS NO. | DESCRIPTION | REF. NO. | PARTS NO. | DESCRIPTION |
|-----------------------------------|---------------|--------------------------------------|-----------------------------|------------|----------------------|
| ESCUTCHEON PANEL (B) BLOCK | | | FINAL ASSEMBLY BLOCK | | |
| 5-1 | SK-336479A | KNOB SLIDE | 5-25 | SK-336471A | KNOB MUTE (A) |
| 5-2x | SK-336479B | KNOB SLIDE-P | 5-26x | SK-336471B | KNOB MUTE (A)-P |
| 5-3 | SK-B336472E | KNOB OPERATE (A-3) PART | 5-27 | SP-336465A | PANEL FRONT AM-U41 |
| 5-4x | SK-B336472F | KNOB OPERATE (A-3)-P PART | 5-28x | SP-336465B | PANEL FRONT AM-U41-P |
| 5-5 | SK-B336472G | KNOB OPERATE (A-4) PART | 5-29 | SP-336443A | COVER UPPER |
| 5-6x | SK-B336472H | KNOB OPERATE (A-4)-P PART | 5-30x | SP-336443B | COVER UPPER-P |
| 5-7 | SK-B336472J | KNOB OPERATE (A-5) PART | 5-31 | SK-336470A | KNOB |
| 5-8x | SK-B336472K | KNOB OPERATE (A-5)-P PART | 5-32x | SK-336470B | KNOB-P |
| 5-9 | SK-B336472L | KNOB OPERATE (A-6) PART | 5-33x | ZW-305013 | RV POP32 |
| 5-10x | SK-B336472M | KNOB OPERATE (A-6)-P PART | 5-34 | ZS-322570 | ST BID40x08STL NI3 |
| 5-11 | SK-B336472N | KNOB OPERATE (A-7) PART | 5-35x | ZS-322580 | ST BID40x08STL BNI |
| 5-12x | SK-B336472P | KNOB OPERATE (A-7)-P PART | | | |
| 5-13x | ZG-313027 | SP T1-5.0/0.32-18.0 T1-140 | | | |
| ESCUTCHEON PANEL (A) BLOCK | | | | | |
| 5-14 | BD-A2018A030A | ESCUTCHEON PANEL (A) BLK AM-U41 | | | |
| 5-15x | BD-A2018A030B | ESCUTCHEON PANEL (A) BLK AM-U41-P | | | |
| 5-16 | SK-B336468 | KNOB OPERAT PART | | | |
| 5-17x | ZG-336449 | SP PLATE (A) | | | |
| 5-18 | SK-B336472A | KNOB OPERATE (A-1) PART | | | |
| 5-19x | SK-B336472B | KNOB OPERATE (A-1)-P PART | | | |
| 5-20 | SK-B336472C | KNOB OPERATE (A-2) PART | | | |
| 5-21x | SK-B336472D | KNOB OPERATE (A-2)-P PART | | | |
| 5-22 | SK-B336474A | KNOB OPERATE (B) PART | | | |
| 5-23x | SK-B336474B | KNOB OPERATE (B)-P PART | | | |
| 5-24x | ZG-336460 | SP PUSH (D) | | | |

When ordering parts, please quote Parts Number, Description and Model Number.

III. MODEL AM-U61

AM-U61

RECOMMENDED SPARE PARTS LIST

Because, if the parts listed below are on hand, almost any repair can be accomplished, we suggest that you stock these Recommended Spare Parts Items.

| REF. NO. | PARTS NO. | DESCRIPTION | REF. NO. | PARTS NO. | DESCRIPTION |
|----------|-----------|---|----------|-----------|-------------------------------|
| 1 | BT-338023 | △ TRANS POWER AM-U61T-10 (J) | 47 | ES-337392 | SW PUSH SUL232S 2-THROW |
| 2 | BT-338024 | △ TRANS POWER AM-U61T-20 (A) | 48 | ES-337393 | SW PUSH SUL241A 2-THROW |
| 3 | BT-338025 | △ TRANS POWER AM-U61T-30 (C) | 49 | ES-337998 | SW PUSH SUL532A 5-THROW |
| 4 | BT-338026 | △ TRANS POWER AM-U61T-40 (E) | 50 | ES-337389 | SW PUSH SUN222A 2-THROW |
| 5 | BT-338028 | △ TRANS POWER AM-U61T-50 (B, S) | 51 | ES-337401 | SW REMOTE S SSR244 04-4 |
| 6 | BT-338029 | △ TRANS POWER AM-U61T-60 (V) | 52 | ES-337400 | SW REMOTE S SSR26602D 06-6 |
| 7 | BT-338030 | △ TRANS POWER AM-U61T-70 (U) | 53 | ES-337399 | SW REMOTE W SBU0006F L=120 |
| 8 | ED-337391 | D LED GL-5NG6 GRN | 54 | ES-337402 | SW REMOTE W SBU004F L=280 |
| 9 | ED-337395 | D LED SR538W RED | 55 | ET-337984 | TR FET 2SK150 BL, GR |
| 10 | ED-330320 | D SILICON DBA10C 200/1.0A | 56 | ET-337759 | TR FET 2SK246 GR |
| 11 | ED-336805 | D SILICON DS135D-KB1 200/1.0A | 57 | ET-337234 | TR FET 2SK270 GR, BL |
| 12 | ED-337153 | D SILICON H DS446 FA5 F10 | 58 | ET-337985 | TR 2SA1144 O,Y |
| 13 | ED-200469 | D SILICON II DS448 FA5 F10 | 59 | ET-305463 | TR 2SA970 GR, BL |
| 14 | ED-338041 | D SILICON 10G4B41 400/10.0A | 60 | ET-308866 | TR 2SA979 G, H |
| 15 | ED-323057 | D VARISTER MV12 | 61 | ET-337760 | TR 2SA984K F |
| 16 | ED-330218 | D ZENER H HZ15L 2 | 62 | ET-301165 | TR 2SB631K E, F |
| 17 | ED-337990 | D ZENER H HZ27L 1 | 63 | ET-307195 | TR 2SC2240 GR, BL |
| 18 | ED-328481 | D ZENER H 05Z20 X | 64 | ET-337758 | TR 2SC2259 G, H |
| 19 | ED-306469 | D ZENER H 05Z22 X | 65 | ET-308977 | TR 2SC2274K F |
| 20 | ED-338049 | D ZENER H 05Z24 Y | 66 | ET-337986 | TR 2SC2704 O, Y |
| 21 | ED-337751 | D ZENER H 05Z4.3 X | 67 | ET-316171 | TR 2SC536K-NP E, F |
| 22 | EF-258344 | △ FUSE SEMKO T 250V 0.80A (F2, 3, 4) (E, B, S, V) | 68 | ET-300931 | TR 2SD600K E, F |
| 23 | EF-691007 | △ FUSE SEMKO T 250V 3.15A (F1) (U) | 69 | ET-328440 | TR 2SD863-V8 E, F |
| 24 | EF-691007 | △ FUSE SEMKO T 250V 3.15A (F1) (E, B, S, V) | 70 | EV-338118 | R S-FIX V HI052A 3P 0.15W 104 |
| 25 | EF-242605 | △ FUSE SEMKO T 250V 6.30A (F1) (U) | 71 | EV-330724 | VR ROTARY 16P20x2C 1Z254 |
| 26 | EF-303348 | △ FUSE ST6 125V 6.30A (F1) (C, A) | 72 | EV-330725 | VR ROTARY 16P20x2D C 104 |
| 27 | EF-309388 | △ FUSE TSC A 250V 0.80A (F2) (J) | 73 | EV-330843 | VR ROTARY 16P20x2E C 104 |
| 28 | EF-306949 | △ FUSE TSC A 250V 1.25A (F3, 4) (J) | 74 | EV-337309 | VR SLIDE 100P2SV0A B254 |
| 29 | EF-341260 | △ FUSE TSC A 250V 8.00A (F1) (J) | | | |
| 30 | EF-309392 | △ FUSE TSC 125V 1.25A (F2, 3, 4) (C, A) | | | |
| 31 | EI-338022 | IC STK-1080 (2) | | | |
| 32 | EI-200938 | IC TA7558S | | | |
| 33 | EJ-337405 | △ SOCKET OUTLET S2T733T164 JUC 3x2P (U, J, C, A) | | | |
| 34 | EL-337757 | PL LEAD 14.0V 50MA | | | |
| 35 | EP-323565 | RELAY POWER G2Z-222P-US 2NO 24V | | | |
| 36 | EP-337416 | RELAY SIGNAL G2V-282P-NL 2TR 12V | | | |
| 37 | ER-338000 | △ R FUSE ERD2FC F10 1/4W 2200G (E, B, S, V) | | | |
| 38 | ER-337756 | △ R FUSE ERD2FC F10 1/4W 4700G (E, B, S, V) | | | |
| 39 | ER-332225 | △ R FUSE ERD2FC F10 1/4W 56R0G | | | |
| 40 | ER-332225 | △ R FUSE ERD2FC F10 1/4W 56R0G (E, B, S, V) | | | |
| 41 | ES-337390 | △ SW PUSH ESB-70274T 01-1 UC (C) | | | |
| 42 | ES-337390 | △ SW PUSH ESB-70274T 01-1 UC (C) | | | |
| 43 | ES-328788 | △ SW PUSH ESB-90144T 01-1 UC (A) | | | |
| 44 | ES-328787 | △ SW PUSH ESB-90149R 01-1 J (J) | | | |
| 45 | ES-336909 | △ SW PUSH ESB-90259S 01-1 C (U, E, B, S, V) | | | |
| 46 | ES-337394 | SW PUSH SUL122A 02-2 S | | | |

When ordering parts, please quote Parts Number, Description and Model Number.

1. MAIN AMP P.C BOARD BLOCK

| REF. NO. | PARTS NO. | DESCRIPTION |
|----------------------------------|---------------|---|
| 1-1 | BA-A2019A060A | PC MAIN AMP BLK AM-61 (U) |
| 1-2 | BA-A2019A060B | PC MAIN AMP BLK AM-U61 (J) |
| 1-3 | BA-A2019A060C | PC MAIN AMP BLK AM-U61 (C) (C, A) |
| 1-4 | BA-A2019A060D | PC MAIN AMP BLK AM-U61 (E) (E, B, S) |
| 1-5 | BA-A2019A060E | PC MAIN AMP BLK AM-U61-P (U) |
| 1-6 | BA-A2019A060F | PC MAIN AMP BLK AM-U61 (J) |
| 1-7 | BA-A2019A060G | PC MAIN AMP BLK AM-U61-P (C) (C, A) |
| 1-8 | BA-A2019A060H | PC MAIN AMP BLK AM-U61-P (E) (E, B, S) |
| 1-9 | BA-A2019A060J | PC MAIN AMP BLK AM-U61 (V) |
| 1-10 | BA-A2019A060K | PC MAIN AMP BLK AM-U61-P (V) |
| MAIN AMP P. C BOARD BLOCK | | |
| 1-IC1 | EI-200938 | IC TA 75558S |
| 1-IC3 | EI-200938 | IC TA75558S |
| 1-TR1 | ET-328440 | TR 2SD863-V8 E, F |
| 1-TR2 | ET-337984 | TR FET 2SK150 BL, GR |
| 1-TR3 | ET-337758 | TR 2SC2259 G, H |
| 1-TR4 | ET-308866 | TR 2SA979 G, H |
| 1-TR5 | ET-305463 | TR 2SA970 GR, BL |
| 1-TR6 | ET-307195 | TR 2SC2240 GR, BL |
| 1-TR7 | ET-305463 | TR 2SA970 GR, BL |
| 1-TR8 | ET-307195 | TR 2SC2240 GR, BL |
| 1-TR9 | ET-337985 | △ TR 2SA1144 O, Y |
| 1-TR10 | ET-337986 | △ TR 2SC2704 O, Y |
| 1-TR11 | ET-305463 | TR 2SA970 GR, BL |
| 1-TR12 to 14 | ET-307195 | TR 2SC2240 GR, BL |
| 1-TR15 | ET-305463 | TR 2SA970 GR, BL |
| 1-TR16, 17 | ET-316171 | TR 2SC536K-NP E, F |
| 1-TR18 | ET-305463 | TR 2SA970 GR, BL |
| 1-TR19 | ET-328440 | TR 2SD863-V8 E, F |
| 1-TR20, 21 | ET-337759 | TR FET 2SK246 GR |
| 1-TR22 | ET-300931 | △ TR 2SD600K E, F |
| 1-TR23 | ET-301165 | △ TR 2SB631K E, F |
| 1-TR24 | ET-307195 | TR 2SC2240 GR, BL |
| 1-TR25 | ET-337760 | TR 2SA984K F |
| 1-TR26 | ET-300931 | △ TR 2SD600K E, F |
| 1-TR27 | ET-301165 | △ TR 2SB631K E, F |
| 1-D3 | ED-200469 | D SILICON H DS448 FA5 F10 |
| 1-D4 to 7 | ED-337153 | D SILICON H DS446 FA5 F10 |
| 1-D8, 9 | ED-200469 | D SILICON H DS448 FA5 F10 |
| 1-D10 | ED-337153 | D SILICON H DS446 FA5 F10 |
| 1-D11 | ED-328481 | D ZENER H 05Z20 X |
| 1-D12 | ED-337153 | D SILICON H DS446 FA5 F10 |
| 1-D13 | ED-336805 | D SILICON DS135D-KB1 200/1.0A |
| 1-D14 | ED-337153 | D SILICON H DS446 FA5 F10 |
| 1-D15 | ED-338041 | △ D SILICON 10G4B41 400/10.0A |
| 1-D16 | ED-330320 | △ D SILICON DBA10C 200/1.0A |
| 1-D17 | ED-306469 | D ZENER H 05Z22 X |
| 1-D18, 19 | ED-337990 | D ZENER H HZ27L 1 |
| 1-D20, 21 | ED-330218 | D ZENER H HZ15L 2 |
| 1-D22 | ED-337153 | D SILICON H DS446 FA5 F10 |
| 1-D23 | ED-337751 | D ZENER H 05Z4.3 X |
| 1-D24 | ED-338049 | D ZENER H 05Z24 Y |
| 1-D25, 26 | ED-200469 | D SILICON H DS448 FA5 F10 |
| 1-D27, 28 | ED-337751 | D ZENER H 05Z4.3 X |
| 1-D29 | ED-337153 | D SILICON H DS446 FA5 F10 |
| 1-SW1 | ES-337389 | SW PUSH SUN222A 2-THROW |
| 1-SW2 | ES-337394 | SW PUSH SUL122A 02-2 S |
| 1-VR1 | EV-330725 | VR ROTARY 16P20x2D C104 |
| 1-VR2 | EV-330843 | VR ROTARY 16P20x2E C104 |
| 1-VR3 | EV-330724 | VR ROTARY 16P20x2C 1Z254 |
| 1-RL1 | EP-337416 | RELAY SIGNAL G2V-282P-NL 2TR 12V |
| 1-RL2 | EP-323565 | RELAY POWER G2Z-222P-US 2NO 24V |
| 1-L1 | EO-332116 | COIL FIX 2 103AK-006A 2.2μH |

| REF. NO. | PARTS NO. | DESCRIPTION |
|-------------|-----------|--|
| 1-FR1 | ER-332225 | △ R FUSE ERD2FC F10 1/4W 56R0G (E, B, S, V) |
| 1-FR2 | ER-338000 | △ R FUSE ERD2FC F10 1/4W 2200G (E, B, S, V) |
| 1-FR3, 4 | ER-337756 | △ R FUSE ERD2FC F10 1/4W 4700G (E, B, S, V) |
| 1-R17 | ER-324337 | △ R CB H SNP FS RDS 1/4W 560J (U, J, C, A) |
| 1-R32 | ER-337752 | △ R OMF H FS 1W 103J |
| 1-R35 | ER-324185 | △ R CB H SNP FS RDS 1/4W 221J (U, J, C, A) |
| 1-R39, 40 | ER-323075 | △ R CB H SNP FS RDS 1/4W 472J |
| 1-R41, 42 | ER-322421 | △ R CB H SNP FS RDS 1/4W 820J |
| 1-R47, 48 | ER-328082 | △ R CB H SNP FS RDS 1/4W 332J |
| 1-R51 | ER-323075 | △ R CB H SNP FS RDS 1/4W 472J |
| 1-R52 | ER-333689 | △ R CB H SNP FS RDS 1/2W 682J |
| 1-R59, 60 | ER-323075 | △ R CB H SNP FS RDS 1/4W 472J |
| 1-R61, 62 | ER-316802 | △ R CB H SNP FS RDS 1/4W 471J |
| 1-R68, 69 | ER-337754 | △ R OMF H SNP FS 1W 100J |
| 1-R74 | ER-337755 | △ R OMF H SNP FS 2W 222J |
| 1-R75 | ER-338084 | △ R OMF H SNP FS 2W 122J |
| 1-R76 | ER-624756 | △ R OMF H FS 2W 331J |
| 1-R80 | ER-337754 | △ R OMF H SNP FS 1W 100J |
| 1-R90, 91 | ER-323075 | △ R CB H SNP FS RDS 1/4W 472J |
| 1-R94, 95 | ER-333698 | △ R CB H SNP FS RDS 1/2W 821J |
| 1-C27, 28 | EC-332052 | C EC V F05 NP SM 4R7M 35DC |
| 1-C31 | EC-334013 | C EC V CUT NP SM 331M 6.3 DC |
| 1-C42 | EC-320548 | C CE V F 103Z 250AC (U, J, C, A) |
| 1-C42 | EC-326583 | C MMY V CUT CF921 473K 400DC (E, B, S, V) |
| 1-C43 | EC-320548 | C CE V F 103Z 250AC (U, J, C, A) |
| 1-C43 | EC-326583 | C MMY V CUT CF921 473K 400DC (E, B, S, V) |
| 1-C44, 45 | EC-320548 | C CE V F 103Z 250AC |
| 1-C46 to 49 | EC-320548 | C CE V F 103Z 250AC |
| 1-C50, 51 | EC-201643 | C EC V CUT SM 471M 80DC |
| 1-C53, 54 | EC-316189 | C EC V F05 SM 1R0M 100DC |
| 1-C59, 60 | EC-338032 | C CE V F05 SL 470K 500DC |

MUTE P.C BOARD BLOCK

| | | |
|-------|-----------|-------------------------|
| 1-SW1 | ES-337393 | SW PUSH SUL241A 2-THROW |
|-------|-----------|-------------------------|

SPEAKER SW P.C BOARD BLOCK

| | | |
|-------|-----------|-------------------------|
| 1-SW1 | ES-337392 | SW PUSH SUL232S 2-THROW |
|-------|-----------|-------------------------|

LAMP (1) P.C BOARD BLOCK

| | | |
|----------|-----------|--------------------|
| 1-IN1, 2 | EL-337757 | PL LEAD 14.0V 50MA |
|----------|-----------|--------------------|

LAMP (2) P.C BOARD BLOCK

| | | |
|-----------|-----------|--------------------|
| 1-IN1 | EL-337757 | PL LEAD 14.0V 50MA |
| 1-D1 to 3 | ED-337391 | D LED GL-5NG5 GRN |
| 1-D4 | ED-337391 | D LED GL-5NG6 GRN |

HEAD PHONE P.C BOARD BLOCK (EXCEPT V)

| | | |
|------|-----------|-------------------------------|
| 1-J8 | EJ-336885 | PHONE J 3P HLJ0607-023 13 |
| 1-J8 | EJ-336886 | PHONE J 3P HLJ0607-020 13 (P) |

HEAD PHONE P.C BOARD BLOCK (V ONLY)

| | | |
|------|-----------|-------------------------------|
| 1-J8 | EJ-336885 | PHONE J 3P HLJ0607-023 13 |
| 1-J8 | EJ-336886 | PHONE J 3P HLJ0607-020 13 (P) |
| 1-L1 | EO-336934 | COIL FIX 1 LAL03KH 2.2μH 1M |

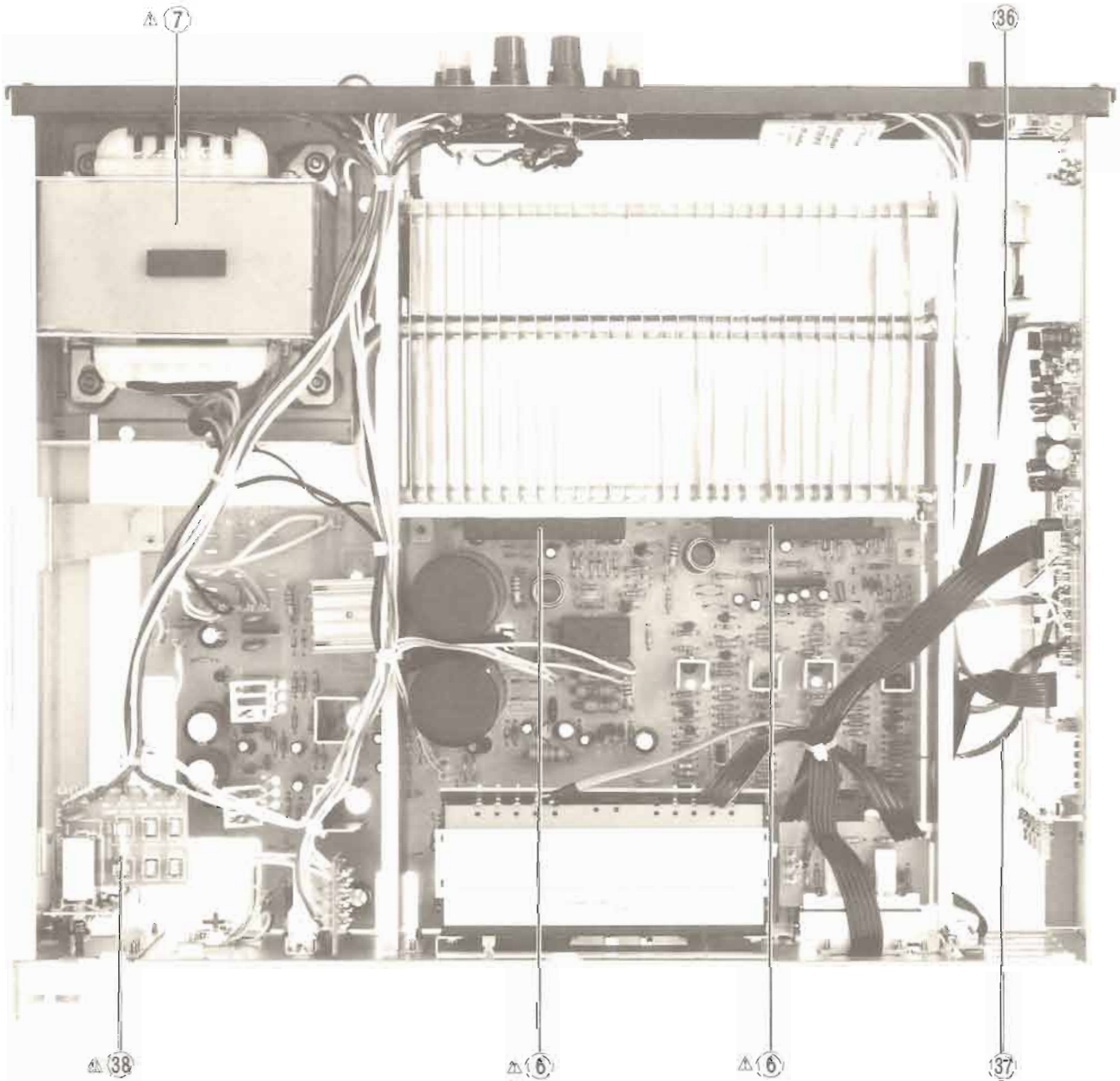
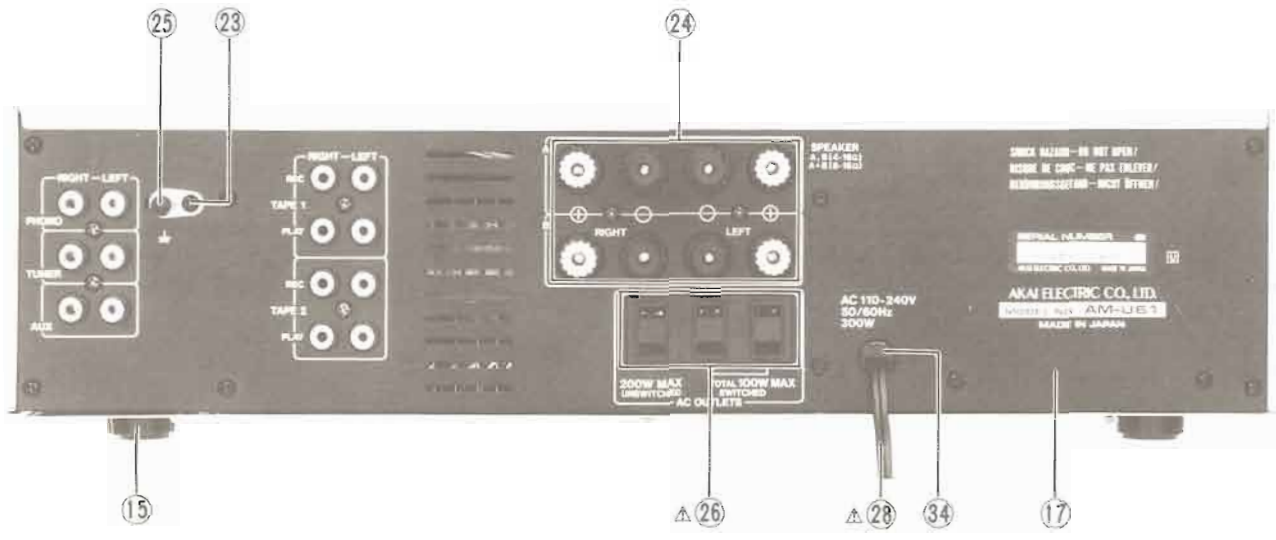
2. EQUALIZER P.C BOARD BLOCK

| REF. NO. | PARTS NO. | DESCRIPTION |
|----------------------------------|---------------|---|
| 2-1 | BA-A2019A120A | PC EQ BLK AM-U61 (U) (U, J, C, A, E, B, S) |
| 2-2 | BA-A2019A120B | PC EQ BLK AM-U61 (V) |
| EQUALIZER P.C BOARD BLOCK | | |
| 2-IC1 | EI-200938 | IC TA75558S |
| 2-TR1 | ET-337234 | TR FET 2SK270 GR, BL |
| 2-TR2, 3 | ET-307195 | TR 2SC2240 GR, BL |
| 2-TR4 to 6 | ET-305463 | TR 2SA970 GR, BL |
| 2-TR7 | ET-307195 | TR 2SC2240 GR, BL |
| 2-TR8 | ET-308977 | TR 2SC2274K F |
| 2-TR9 | ET-337760 | TR 2SA984K F |
| 2-D1, 2 | ED-200469 | D SILICON H DS448 FA5 F10 |
| 2-D3 | ED-200469 | D SILICON H DS448 FA5 F10 |
| 2-D4 | ED-323057 | D VARISTER MV12 |
| 2-D5 | ED-200469 | D SILICON H DS448 FA5 F10 |
| 2-D6, 7 | ED-330218 | D ZENER H HZ15L 2 |
| 2-J1 | EJ-337404 | PIN J AJC-052-ABB P 6P |
| 2-SW1 | ES-337401 | SW REMOTE S SSR244 04-4 |
| 2-SW2 | ES-337998 | SW PUSH SUL532A 5-THROW |
| 2-SW3 | ES-337400 | SW REMOTE S SSR26602D 06-6 |
| 2-VR1 | EV-338118 | R S-FIX V H1052A 3P 0.15A 104 |
| 2-L1 | EO-337684 | COIL FIX 2 FL12R751E 750 μ H |
| 2-L2, 3 | EO-336934 | COIL FIX 1 LAL03KH 2.2 μ H M |
| 2-FR1,2 | ER-332225 | Δ R FUSE ERD2FC F10 1/4W 56R0G |
| 2-R14 | ER-309781 | R MF V 1/4W 1200F |
| 2-R15 | ER-311768 | R MF H 1/4W 2700F |
| 2-R16 | ER-337100 | R MF H F10 1/4W 9R10F |
| 2-R17 | ER-323352 | R MF H F10 1/4W 4532F |
| 2-R18 | ER-323351 | R MF H F10 1/4W 3741F |
| 2-R27, 28 | ER-324934 | Δ R CB H SNP FS RDS 1/4W 220J |
| 2-R37, 38 | ER-200944 | Δ R CB H SNP FS RDS 1/4W 152J |
| 2-C6 | EC-324103 | C PP V SNP PS 6972G 50DC |
| 2-C7 | EC-324102 | C PP V SNP PS 2002G 50DC |
| 2-C15, 16 | EC-332052 | C EC V F05 NP SM 4R7M 35DC |
| PIN JACK P.C BOARD BLOCK | | |
| 2-J2, 3 | EJ-336915 | PIN J C-810 P 4P |
| 2-L1 to 4 | EO-336934 | COIL FIX 1 LAL03KH 2.2 μ H M (V) |

3. POWER P.C BOARD BLOCK

| REF. NO. | PARTS NO. | DESCRIPTION |
|----------|-----------|---|
| 3-SW1 | ES-336909 | Δ SW PUSH ESB-90259S 01-1 C (U, E, B, S, V) |
| 3-SW1 | ES-328787 | Δ SW PUSH ESB-90149R 01-1 J (J) |
| 3-SW1 | ES-337390 | Δ SW PUSH ESB-70274T 01-1 UC (C) |
| 3-SW1 | ES-328788 | Δ SW PUSH ESB-90144T 01-1 UC (A) |
| 3-FL1 | EO-338409 | Δ COIL LF FKOB160MH02 250 μ H (V) |
| 3-C1 | EC-320548 | Δ C CE V F 103Z 250AC (U, J) |
| 3-C1 | EC-338411 | Δ C CE V FZ 103P 400AC (B, S, V) |
| 3-C1 | EC-330308 | Δ C MMY V ECQUF 103M 250AC (E) |
| 3-C1 | EC-314688 | Δ C CE V FZ 103P 125AC (C, A) |

ASSEMBLY BLOCK

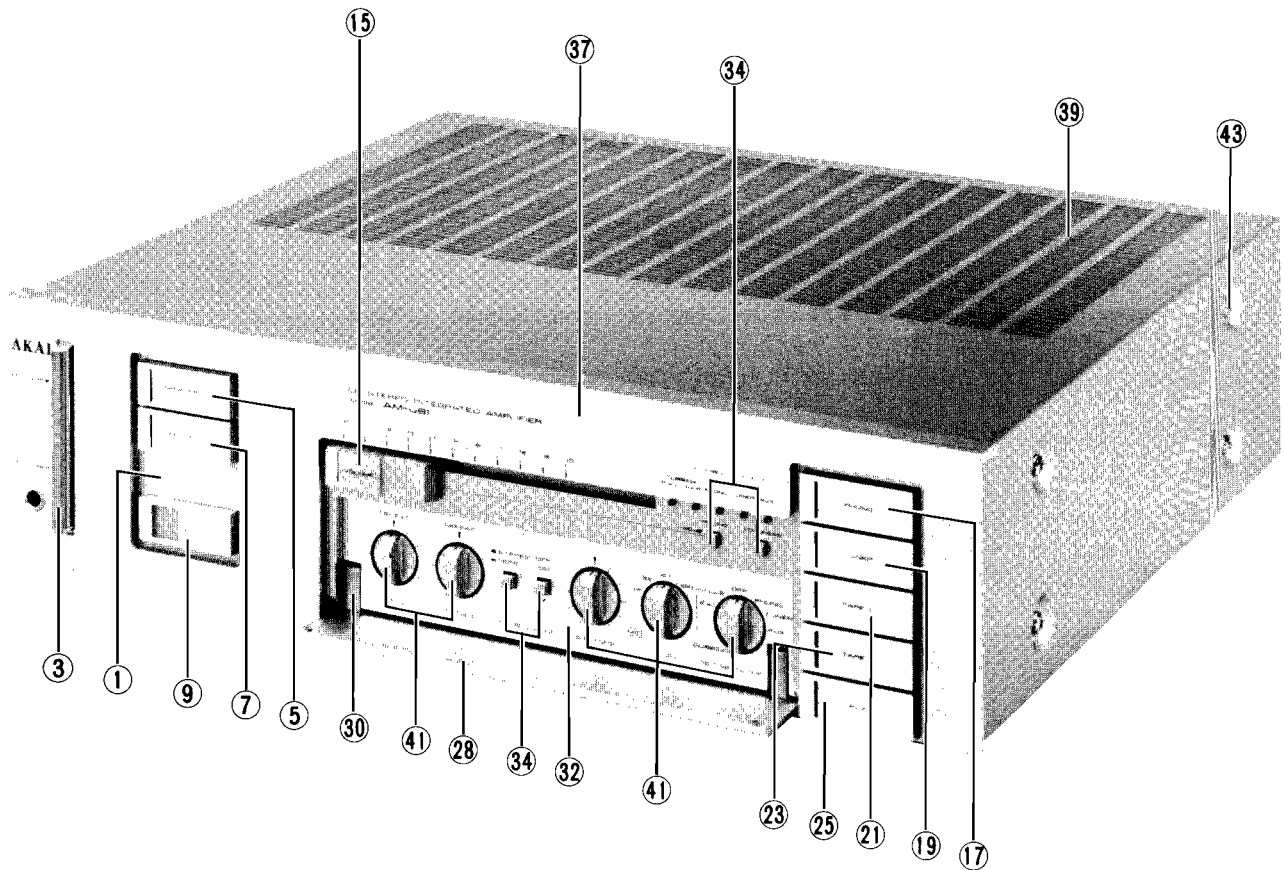


4. ASSEMBLY BLOCK

| REF. NO. | PARTS NO. | DESCRIPTION | REF. NO. | PARTS NO. | DESCRIPTION |
|---------------------------------|------------|---|----------|-----------|---|
| VR P.C BOARD BLOCK | | | | | |
| 4-1x | EV-337309 | VR SLIDE 100P2SV0A B254 (VR1) | 4-43x | EF-303348 | △ FUSE ST6 125V 6.30A (F1) (C, A) |
| LED (1) P.C BOARD BLOCK | | | | | |
| 4-2x | ED-337391 | D LED GL-5NG6 GRN (D1 to 10) | 4-44x | EF-309392 | △ FUSE TSC 125V 1.25A (F2, 3, 4) (C, A) |
| TERMINAL P.C BOARD BLOCK | | | | | |
| 4-3x | EJ-342935 | TERMINAL (J1) (V) | 4-45x | EF-691007 | △ FUSE SEMKO T 250V 3.15A (F1) (E, B, S, V) |
| 4-4x | EO-342936 | COIL BALUN (FL1) (V) | 4-46x | EF-258344 | △ FUSE SEMKO T 250V 0.80A (F2, 3, 4) (E, B, S, V) |
| LED (2) P.C BOARD BLOCK | | | | | |
| 4-5x | ED-337395 | D LED SR538W RED (D1 to 5) | 4-47x | ZW-305013 | RV POP32 (A) |
| MAIN AMP P.C BOARD BLOCK | | | | | |
| 4-6 | EI-338022 | △ IC STK-1080 (2) (IC2) | | | |
| ASSEMBLY BLOCK | | | | | |
| 4-7 | BT-338030 | △ TRANS POWER AM-U61T-70 (U) | | | |
| 4-8x | BT-338023 | △ TRANS POWER AM-U61T-10 (J) | | | |
| 4-9x | BT-338025 | △ TRANS POWER AM-U61T-30 (C) | | | |
| 4-10x | BT-338024 | △ TRANS POWER AM-U61T-20 (A) | | | |
| 4-11x | BT-338026 | △ TRANS POWER AM-U61T-40 (E) | | | |
| 4-12x | BT-338028 | △ TRANS POWER AM-U61T-50 (B, S) | | | |
| 4-13x | BT-338029 | △ TRANS POWER AM-U61T-60 (V) | | | |
| 4-14x | SP-336494 | COVER BOTTOM (B) | | | |
| 4-15 | SA-312465 | CIRCULAR FOOT (A) PART CA | | | |
| 4-16x | ZS-565942 | T2PAN40×08STL CMT | | | |
| 4-17 | SP-336440H | PANEL REAR AM-U61 (U) | | | |
| 4-18x | SP-336440G | PANEL REAR AM-U61 (J) | | | |
| 4-19x | SP-336440K | PANEL REAR AM-U61 (C) | | | |
| 4-20x | SP-336440J | PANEL REAR AM-U61 (A) | | | |
| 4-21x | SP-336440L | PANEL REAR AM-U61(E) (E, V) | | | |
| 4-22x | SP-336440M | PANEL REAR AM-U61 (B) (B, S) | | | |
| 4-23 | ZS-308846 | T2BR30×08STL BZN PROJECTION | | | |
| 4-24 | EJ-337406 | TERMINAL W/SCREW ANB-024-AAA S 8P | | | |
| 4-25 | EJ-329610 | TERMINAL W/SCREW UB-0067 L 1P | | | |
| 4-26 | EJ-337405 | △ SOCKET OUTLET S2T733T164 JUC 3×2P (U, J, A) | | | |
| 4-27x | EJ-337405 | △ SOCKET OUTLET S2T733T164 JUC 3×2P (C) | | | |
| 4-28 | EW-306428 | △ AC CORD 2 CORES KP-205A, VFF J (U) | | | |
| 4-29x | EW-306427 | △ AC CORD 2 CORES KP-211, VFFJ (J) | | | |
| 4-30x | EW-328245 | △ AC CORD 2 CORES KP-8/SPT-1 105C UC (C, A) | | | |
| 4-31x | EW-336923 | △ AC CORD 2 CORES KP-419C, LTCE-2FE (E, V) | | | |
| 4-32x | EW-336926 | △ AC CORD GTBS-2F 24/0.20×2 B (B) | | | |
| 4-33x | EW-336924 | △ AC CORD 2 CORES KP-560, LTSA-2F S (S) | | | |
| 4-34 | SZ-631945 | STRAIN RELIEF SR-4N-4 (U, J, C, A, E, S, V) | | | |
| 4-35x | EJ-692908 | STRAIN RELIEF SR-5N-4 (B) | | | |
| 4-36 | ES-337402 | SW REMOTE W SBU004F L=280 (PHONO MM/MC) | | | |
| 4-37 | ES-337399 | SW REMOTE W SBU0006F L=120 | | | |
| 4-38 | EF-242605 | △ FUSE SEMKO T 250V 6.30A (F1) (U) | | | |
| 4-39x | EF-691007 | △ FUSE SEMKO T 250V 3.15A (F1) (U) | | | |
| 4-40x | EF-341260 | △ FUSE TSC A 250V 8.00A (F1) (J) | | | |
| 4-41x | EF-309388 | △ FUSE TSC A 250V 0.80A (F2) (J) | | | |
| 4-42x | EF-306949 | △ FUSE TSC A 250V 1.25A (F3, 4) (J) | | | |

When ordering parts, please quote Parts Number, Description and Model Number.

FINAL ASSEMBLY BLOCK



5. FINAL ASSEMBLY BLOCK

| REF. NO. | PARTS NO. | DESCRIPTION | REF. NO. | PARTS NO. | DESCRIPTION |
|-----------------------------------|---------------|--------------------------------------|-----------------------------|-------------|----------------------------|
| ESCUTCHEON PANEL A-2 BLOCK | | | | | |
| 5-1 | BD-A2019A020A | ESCUTCHEON PANEL A-2 BLK AM-U61 | 5-21 | SK-B336472J | KNOB OPERATE (A-5)-P PART |
| 5-2x | BD-A2019A020B | ESCUTCHEON PANEL A-2 BLK AM-U61-P | 5-22x | SK-B336472K | KNOB OPERATE (A-5)-P PART |
| 5-3 | SK-B336468 | KNOB OPERATE PART | 5-23 | SK-B336472L | KNOB OPERATE (A-6)-PART |
| 5-5 | SK-B336472A | KNOB OPERATE (A-1) PART | 5-24x | SK-B336472M | KNOB OPERATE (A-6)-P PART |
| 5-6x | SK-B336472B | KNOB OPERATE (A-1)-P PART | 5-25 | SK-B336472N | KNOB OPERATE (A-7)-PART |
| 5-7 | SK-B336472C | KNOB OPERATE (A-2) PART | 5-26x | SK-B336472P | KNOB OPERATE (A-7)-P PART |
| 5-8x | SK-B336472D | KNOB OPERATE (A-2)-P PART | 5-27x | ZG-313027 | SP T1-5.0/0.32-18.0 T1-140 |
| 5-9 | SK-B336474A | KNOB OPERATE (B) PART | 5-28 | BD-B336500A | PANEL DOOR PART |
| 5-10x | SK-B336474B | KNOB OPERATE (B)-P PART | 5-29x | BD-B336500B | PANEL DOOR-P PART |
| 5-11x | ZG-336460 | SP PUSH (D) | 5-30 | TA-336501A | HINGE |
| ESCUTCHEON PANEL (C) BLOCK | | | | | |
| 5-12 | BD-A2019A030A | ESCUTCHEON PANEL (C) BLK AM-U61 | 5-31x | TA-336501B | HINGE-P |
| 5-13x | BD-A2019A030B | ESCUTCHEON PANEL (C) BLK AM-U61-P | 5-32 | SP-336499A | PANEL OPERATION |
| 5-14x | TA-336480 | GUIDE SLIDE KNOB | 5-33x | SP-336499B | PANEL OPERATION |
| 5-15 | SK-336479A | KNOB SLIDE | FINAL ASSEMBLY BLOCK | | |
| 5-16x | SK-336479B | KNOB SLIDE-P | 5-34 | SK-336471A | KNOB MUTE (A) |
| 5-17 | SK-B336472E | KNOB OPERATE (A-3) PART | 5-35x | SK-336471B | KNOB MUTE (A)-P |
| 5-18x | SK-B336472F | KNOB OPERATE (A-3)-P PART | 5-36x | SK-336471C | KNOB MUTE (B) |
| 5-19 | SK-B336472G | KNOB OPERATE (A-4)-P PART | 5-37 | SP-336496A | PANEL FRONT AM-U61 |
| 5-20x | SK-B336472H | KNOB OPERATE (A-4)-P PART | 5-38x | BD-336496B | PANEL FRONT AM-U61-P |
| | | | 5-39 | SP-336443A | COVER UPPER |
| | | | 5-40x | SP-336443B | COVER UPPER-P |
| | | | 5-41 | SK-336470A | KNOB |
| | | | 5-42x | SK-336470B | KNOB-P |
| | | | 5-43 | ZS-322570 | ST BID40x08STL NI3 |
| | | | 5-44x | ZS-322580 | ST BID40x08STL BNI |

When ordering parts, please quote Parts Number, Description and Model Number.

INDEX

AT-S61/L/J

| Parts No. | Ref. No. & Symbol No. | Parts No. | Ref. No. & Symbol No. | Parts No. | Ref. No. & Symbol No. | Parts No. | Ref. No. & Symbol No. |
|---------------|-----------------------|-----------|-----------------------|------------|-----------------------|-----------|-----------------------|
| BA-A3027A030A | 1-1 | EI-315379 | 1-IC12 | ET-316643 | 1-TR2 to 5 | | |
| BA-A3027A030B | 1-2 | EI-315381 | 1-IC7 | ET-316643 | 1-TR31 | | |
| BA-A3027A030C | 1-3 | EI-327074 | 1-X1 | ET-322778 | 1-TR50 | | |
| BA-A3027A030D | 1-4 | EI-332206 | 1-IC5 | ET-322778 | 1-TR47 | | |
| BA-A3027A030E | 1-5 | EI-332287 | 1-IC11 | ET-322778 | 1-TR45 | | |
| BA-A3027A030F | 1-6 | EI-336717 | 1-IC8 | ET-322778 | 1-TR1 | | |
| BD-A3027A020A | 5-1 | EI-336761 | 1-IC4 | ET-322778 | 1-TR30 | | |
| BD-A3027A020B | 5-2x | EI-336761 | 1-IC3 | ET-322778 | 1-TR19 to 22 | | |
| BD-A3027A020C | 5-3x | EI-336794 | 1-IC13 | ET-322778 | 1-TR6 | | |
| BD-A3027A020D | 5-4x | EI-337363 | 1-IC1 | ET-322778 | 1-TR17 | | |
| BT-337970 | 4-19 | EI-337365 | 1-IC14 | ET-322778 | 1-TR46 | | |
| BT-337971 | 4-21x | EI-337417 | 1-IC2 | ET-323232 | 1-TR24 | | |
| BT-337973 | 4-22x | EI-337600 | 1-IC9 | ET-336864 | 1-TR29 | | |
| BT-337974 | 4-23x | EI-338171 | 1-IC10 | ET-336864 | 1-TR28 | | |
| BT-337978 | 4-20x | EI-338675 | 1-IC15 | ET-337604 | 1-TR8 | | |
| EC-300448 | 1-C64 | EJ-324276 | 1-J2 | ET-337604 | 1-TR14 to 16 | | |
| EC-314688 | 2-C1 | EJ-337424 | 1-J1 | ET-337604 | 1-TR7 | | |
| EC-320548 | 1-C119, 120 | EJ-337595 | 1-TM1 | EV-337993 | 1-VR4 to 6 | | |
| EC-320548 | 2-C1 | EJ-337596 | 1-TM1 | EV-337993 | 1-VR2 | | |
| EC-323252 | 1-C42 | EJ-337597 | 1-TM1 | EV-337995 | 1-VR7 | | |
| EC-323252 | 1-C43 | EJ-341367 | 1-TM1 | EV-337995 | 1-VR3 | | |
| EC-330309 | 1-C42 | EJ-692908 | 4-16x | EV-337996 | 1-VR8 | | |
| EC-330309 | 1-C43 | EL-337975 | 4-25 | EV-338588 | 1-VR1 | | |
| EC-334065 | 1-C65 | EM-337426 | 1-IN1 | EW-305691 | 4-11x | | |
| EC-336865 | 1-VC1 | EO-202215 | 1-T10 | EW-306427 | 4-10x | | |
| EC-337581 | 1-C106 | EO-202216 | 1-T13 | EW-306428 | 4-9 | | |
| EC-337602 | 1-VC2 | EO-307786 | 1-T11 | EW-336923 | 4-12x | | |
| EC-337603 | 1-VC3 | EO-318365 | 1-L2, 3 | EW-336924 | 4-14x | | |
| EC-337603 | 1-VC1 | EO-318380 | 1-L4 | EW-336926 | 4-13x | | |
| EC-338496 | 2-C1 | EO-336833 | 1-T14 | SA-332850 | 4-27 | | |
| EC-338496 | 3-C1 | EO-336878 | 1-T1 | SE-342181 | 5-15x | | |
| EC-338577 | 2-C1 | EO-336879 | 1-T2 | SK-332744 | 5-17 | | |
| EC-338585 | 1-C64 | EO-336934 | 1-L5 | SK-332745A | 5-9 | | |
| ED-200469 | 1-D29, 30 | EO-337415 | 1-T6, 7 | SK-332745B | 5-10x | | |
| ED-200469 | 1-D24 | EO-337572 | 1-T3 | SK-332747A | 5-11 | | |
| ED-200469 | 1-D4 | EO-337573 | 1-T4 | SK-332747B | 5-12x | | |
| ED-200469 | 1-D18 | EO-337574 | 1-T5 | SK-332750A | 5-13 | | |
| ED-200469 | 1-D36 | EO-337598 | 1-T8 | SK-332750B | 5-14x | | |
| ED-200469 | 1-D28 | EO-337599 | 1-T9 | SK-342499A | 5-19 | | |
| ED-200469 | 1-D22, 23 | EO-337607 | 1-T12 | SK-342499B | 5-20x | | |
| ED-200469 | 1-D16 | EO-337608 | 1-L1 | SK-342499C | 5-21 | | |
| ED-200469 | 1-D27 | EO-338409 | 3-FL1 | SK-342499D | 5-22x | | |
| ED-200469 | 1-D25, 26 | ER-318248 | 1-FR1 | SP-332734A | 4-1 | | |
| ED-200469 | 1-D15 | ER-318248 | 1-FR2 | SP-332734B | 4-2x | | |
| ED-223547 | 1-D35 | ER-322787 | 1-R129 | SP-332734C | 4-3x | | |
| ED-300257 | 1-D43 | ER-324184 | 1-R38 | SP-332734D | 4-4x | | |
| ED-301911 | 1-D4 to 6 | ER-324184 | 1-R124 | SP-332734E | 4-5x | | |
| ED-301911 | 1-D1 to 3 | ER-324184 | 1-R118 | SP-332734F | 4-6x | | |
| ED-301911 | 1-D19 to 21 | ER-324184 | 1-R55 | SP-332734G | 4-7x | | |
| ED-301911 | 1-D31, 32 | ER-324184 | 1-R62 | SP-332734H | 4-8x | | |
| ED-301911 | 1-D37 to 39 | ER-324184 | 1-R7 | SP-332738 | 4-26x | | |
| ED-301911 | 1-D13, 14 | ER-324184 | 1-R24 | SP-332743A | 5-5x | | |
| ED-301911 | 1-D7 to 9 | ER-324185 | 1-R118 | SP-332743B | 5-6x | | |
| ED-301911 | 1-D17 | ER-324186 | 1-R204 | SP-332743C | 5-7x | | |
| ED-322238 | 1-D42 | ER-324186 | 1-R222 | SP-332743D | 5-8x | | |
| ED-323057 | 1-D12 | ER-324480 | 1-R5 | SP-332752A | 5-27 | | |
| ED-323057 | 1-D40 | ER-337325 | 1-FL5 | SP-332752B | 5-28x | | |
| ED-323216 | 1-D45 | ER-337326 | 1-FL5 | SP-332753A | 5-23 | | |
| ED-323216 | 1-D33, 34 | ER-337327 | 1-FL6 | SP-332753B | 5-24x | | |
| ED-336805 | 1-D41 | ER-337328 | 1-FL6 | SP-332753C | 5-25x | | |
| ED-337413 | 1-D14 | ER-337989 | 1-FL1 to 3 | SP-332753D | 5-26x | | |
| ED-337414 | 1-D7 to 13 | ER-338408 | 1-FR1 | SZ-332739 | 4-17 | | |
| ED-337414 | 1-D1 to 3 | ER-341654 | 1-FL4 | SZ-332748 | 5-16x | | |
| ED-337605 | 1-D10, 11 | ES-328414 | 1-SW1 | SZ-631945 | 4-15 | | |
| ED-337606 | 1-D44 | ES-328787 | 2-SW1 | ZG-313182 | 5-18x | | |
| ED-562386 | 1-D5, 6 | ES-328788 | 2-SW1 | ZS-319460 | 4-18 | | |
| EE-337570 | 1-7 | ES-336760 | 1-SW1 to 20 | ZS-322570 | 5-29 | | |
| EE-337571 | 1-8 | ES-336909 | 2-SW1 | ZS-322580 | 5-30x | | |
| EE-337976 | 4-28 | ES-336909 | 3-SW1 | ZW-305013 | 4-29x | | |
| EF-300588 | 4-38x | ET-307193 | 1-TR53 | ZW-698308 | 4-24x | | |
| EF-300599 | 4-36x | ET-307193 | 1-TR49 | | | | |
| EF-306088 | 4-34x | ET-316643 | 1-TR36 to 44 | | | | |
| EF-308933 | 4-30 | ET-316643 | 1-TR48 | | | | |
| EF-309389 | 4-31x | ET-316643 | 1-TR32 to 35 | | | | |
| EF-309390 | 4-33x | ET-316643 | 1-TR26 | | | | |
| EF-315334 | 4-35x | ET-316643 | 1-TR23 | | | | |
| EF-322975 | 4-37x | ET-316643 | 1-TR18 | | | | |
| EF-322975 | 4-39x | ET-316643 | 1-TR9 to 13 | | | | |
| EF-327103 | 4-32x | ET-316643 | 1-TR51, 52 | | | | |
| EI-202218 | 1-IC6 | ET-316643 | 1-TR27 | | | | |

| Parts No. | Ref. No. & Symbol No. | Parts No. | Ref. No. & Symbol No. | Parts No. | Ref. No. & Symbol No. | Parts No. | Ref. No. & Symbol No. |
|---------------|-----------------------|-----------|-----------------------|-------------|-----------------------|-----------|-----------------------|
| BA-A2018A040A | 2-1 | EJ-337405 | 4-17 | ET-337984 | 1-TR2 | | |
| BA-A2018A040B | 2-2 | EJ-337406 | 4-13 | ET-337985 | 1-TR9 | | |
| BA-A2018A060A | 1-1 | EJ-342935 | 4-2x | ET-337986 | 1-TR10 | | |
| BA-A2018A060B | 1-2 | EJ-692908 | 4-44x | EV-325629 | 1-VR1 | | |
| BA-A2018A060C | 1-3 | EL-337757 | 1-IN1, 2 | EV-325630 | 1-VR2 | | |
| BA-A2018A060D | 1-4 | EL-337757 | 1-IN1 | EV-337308 | 1-VR1 | | |
| BA-A2018A060E | 1-5 | EO-332116 | 1-L1 | EV-337987 | 1-VR3 | | |
| BA-A2018A060F | 1-6 | EO-336934 | 1-L1 | EW-306427 | 4-38x | | |
| BA-A2018A060G | 1-7 | EO-336934 | 2-J1 | EW-306428 | 4-37 | | |
| BA-A2018A060H | 1-8 | EO-336934 | 2-L1 to 4 | EW-328245 | 4-39x | | |
| BA-A2018A060J | 1-9 | EO-336934 | 2-L2, 3 | EW-336923 | 4-40x | | |
| BA-A2018A060K | 1-10 | EO-337684 | 2-L1 | EW-336924 | 4-42x | | |
| BD-A2018A030A | 5-14 | EO-338409 | 3-FL1 | EW-336926 | 4-41x | | |
| BD-A2018A030B | 5-15x | EO-342936 | 4-3x | SA-332850 | 4-26 | | |
| BT-341430 | 4-20x | EP-323565 | 1-RL2 | SK-B336468 | 5-16 | | |
| BT-341431 | 4-22x | EP-337416 | 1-RL1 | SK-B336472A | 5-18 | | |
| BT-341432 | 4-21x | ER-316802 | 1-R61, 62 | SK-B336472B | 5-19x | | |
| BT-341433 | 4-23x | ER-322361 | 1-R75 | SK-B336472C | 5-20 | | |
| BT-341434 | 4-24x | ER-322591 | 1-R41, 42 | SK-B336472D | 5-21x | | |
| BT-341435 | 4-19 | ER-323075 | 1-R39, 40 | SK-B336472E | 5-3 | | |
| EC-314688 | 3-C1 | ER-323075 | 1-R51 | SK-B336472F | 5-4x | | |
| EC-320548 | 1-C42 | ER-323075 | 1-R59, 60 | SK-B336472G | 5-5 | | |
| EC-320548 | 1-C43 | ER-323075 | 1-R90, 91 | SK-B336472H | 5-6x | | |
| EC-320548 | 1-C44, 45 | ER-323351 | 2-R18 | SK-B336472J | 5-7 | | |
| EC-320548 | 1-C46 to 49 | ER-323352 | 2-R17 | SK-B336472K | 5-8x | | |
| EC-320548 | 3-C1 | ER-324185 | 1-R35 | SK-B336472L | 5-9 | | |
| EC-324102 | 2-C7 | ER-324337 | 1-R17 | SK-B336472M | 5-10x | | |
| EC-324103 | 2-C6 | ER-324934 | 2-R27, 28 | SK-B336472N | 5-11 | | |
| EC-326583 | 1-C42 | ER-328082 | 1-R47, 48 | SK-B336472P | 5-12x | | |
| EC-326583 | 1-C43 | ER-332225 | 1-FR1 | SK-B336474A | 5-22 | | |
| EC-330308 | 3-C1 | ER-332225 | 2-FR1, 2 | SK-B336474B | 5-23x | | |
| EC-332052 | 1-C27, 28 | ER-333689 | 1-R52 | SK-336470A | 5-31 | | |
| EC-334013 | 1-C31 | ER-333698 | 1-R94, 95 | SK-336470B | 5-32x | | |
| EC-337306 | 1-C38, 39 | ER-337100 | 2-R16 | SK-336471A | 5-25 | | |
| EC-338411 | 3-C1 | ER-337752 | 1-R32 | SK-336471B | 5-26x | | |
| ED-200469 | 1-D3 | ER-337754 | 1-R68, 69 | SK-336479A | 5-1 | | |
| ED-200469 | 1-D8, 9 | ER-337754 | 1-R80 | SK-336479B | 5-2x | | |
| ED-200469 | 1-D25, 26 | ER-337755 | 1-R74 | SP-336440A | 4-8x | | |
| ED-200469 | 2-D1 to 3 | ER-337756 | 1-FR3, 4 | SP-336440B | 4-7 | | |
| ED-200469 | 2-D5 | ER-337999 | 2-R15 | SP-336440C | 4-10x | | |
| ED-200749 | 1-D15 | ER-338000 | 1-FR2 | SP-336440D | 4-9x | | |
| ED-323057 | 2-D4 | ER-624756 | 1-R76 | SP-336440E | 4-11x | | |
| ED-323534 | 1-D17 | ES-323369 | 2-SW3 | SP-336440F | 4-12x | | |
| ED-330218 | 1-D20, 21 | ES-328787 | 3-SW1 | SP-336441 | 4-25x | | |
| ED-330320 | 1-D16 | ES-328788 | 3-SW1 | SP-336443A | 5-29 | | |
| ED-336805 | 1-D13 | ES-336909 | 3-SW1 | SP-336443B | 5-30x | | |
| ED-337153 | 1-D4 to 7 | ES-337317 | 4-6 | SP-336465A | 5-27 | | |
| ED-337153 | 1-D10 | ES-337388 | 2-SW1 | SP-336465B | 5-28x | | |
| ED-337153 | 1-D12 | ES-337389 | 1-SW1 | SZ-631945 | 4-43 | | |
| ED-337153 | 1-D14 | ES-337390 | 3-SW1 | ZG-313027 | 5-13x | | |
| ED-337153 | 1-D22 | ES-337392 | 1-SW1 | ZG-336449 | 5-17x | | |
| ED-337153 | 1-D29 | ES-337393 | 1-SW1 | ZG-336460 | 5-24x | | |
| ED-337391 | 1-D1 to 4 | ES-337394 | 1-SW2 | ZS-308846 | 4-16 | | |
| ED-337391 | 4-1x | ES-337398 | 4-27 | ZS-308846 | 4-18 | | |
| ED-337750 | 1-D11 | ES-337403 | 4-5 | ZS-322570 | 5-34 | | |
| ED-337751 | 1-D23 | ES-337998 | 2-SW2 | ZS-322580 | 5-35x | | |
| ED-337751 | 1-D27, 28 | ET-300931 | 1-TR26 | ZS-522865 | 4-14 | | |
| ED-337761 | 1-D24 | ET-300931 | 1-TR22 | ZW-305013 | 5-33x | | |
| ED-337990 | 1-D18, 19 | ET-301165 | 1-TR27 | | | | |
| ED-338096 | 1-D1, 2 | TT-301165 | 1-TR23 | | | | |
| EF-249851 | 4-28 | ET-305463 | 1-TR7 | | | | |
| EF-258344 | 4-36x | ET-305463 | 1-TR11 | | | | |
| EF-200952 | 4-30x | ET-305463 | 1-TR15 | | | | |
| EF-309388 | 4-31x | ET-305463 | 1-TR18 | | | | |
| EF-309391 | 4-33x | ET-305463 | 2-TR4 to 6 | | | | |
| EF-310229 | 4-34x | ET-307195 | 1-TR8 | | | | |
| EF-459843 | 4-32x | ET-307195 | 1-TR12 to 14 | | | | |
| EF-623125 | 4-29x | ET-307195 | 1-TR24 | | | | |
| EF-623125 | 4-35x | ET-307195 | 2-TR2, 3 | | | | |
| EI-200938 | 1-IC1 | ET-307195 | 2-TR7 | | | | |
| EI-200938 | 1-IC3 | ET-308866 | 1-TR4 | | | | |
| EI-337593 | 4-4 | ET-308977 | 2-TR8 | | | | |
| EJ-324913 | 2-J4 | ET-316171 | 1-TR16, 17 | | | | |
| EJ-329610 | 4-15 | ET-328440 | 1-TR19 | | | | |
| EJ-336885 | 1-J8 | ET-328440 | 1-TR1 | | | | |
| EJ-336885 | 1-J8 | ET-337234 | 2-TR1 | | | | |
| EJ-336886 | 1-J8 | ET-337758 | 1-TR3 | | | | |
| EJ-336886 | 1-J8 | ET-337759 | 1-TR20, 21 | | | | |
| EJ-336915 | 2-J2 | ET-337760 | 1-TR25 | | | | |
| EJ-337404 | 2-J1 | ET-337760 | 2-TR9 | | | | |

| Parts No. | Ref. No. & Symbol No. | Parts No. | Ref. No. & Symbol No. | Parts No. | Ref. No. & Symbol No. | Parts No. | Ref. No. & Symbol No. |
|---------------|-----------------------|-----------|-----------------------|-------------|-----------------------|-----------|-----------------------|
| BA-A2019A060A | 1-1 | EF-691007 | 4-45x | ET-307195 | 1-TR8 | | |
| BA-A2019A060B | 1-2 | EI-200938 | 1-IC1 | ET-307195 | 1-TR12 to 14 | | |
| BA-A2019A060C | 1-3 | EI-200938 | 1-IC3 | ET-307195 | 1-TR24 | | |
| BA-A2019A060D | 1-4 | EI-200938 | 2-IC1 | ET-307195 | 2-R2, 3 | | |
| BA-A2019A060E | 1-5 | EI-338022 | 4-6 | ET-307195 | 2-TR7 | | |
| BA-A2019A060F | 1-6 | EJ-329610 | 4-25 | ET-308866 | 1-TR4 | | |
| BA-A2019A060G | 1-7 | EJ-336885 | 1-J8 | ET-308977 | 2-TR8 | | |
| BA-A2019A060H | 1-8 | EJ-336885 | 1-J8 | ET-316171 | 1-TR 16, 17 | | |
| BA-A2019A060J | 1-9 | EJ-336886 | 1-J8 | ET-328440 | 1-TR1 | | |
| BA-A2019A060K | 1-10 | EJ-336886 | 1-J8 | ET-328440 | 1-TR19 | | |
| BA-A2019A120A | 2-1 | EJ-336915 | 2-J2, 3 | ET-337234 | 2-TR1 | | |
| BA-A2019A120B | 2-2 | EJ-337404 | 2-J1 | ET-337758 | 1-TR3 | | |
| BD-A2019A020A | 5-1 | EJ-337405 | 4-26 | ET-337759 | 1-TR20, 21 | | |
| BD-A2019A020B | 5-2x | EJ-337405 | 4-27x | ET-337760 | 1-TR25 | | |
| BD-A2019A030A | 5-12 | EJ-337406 | 4-24 | ET-337760 | 2-TR9 | | |
| BD-A2019A030B | 5-13x | EJ-342935 | 4-3x | ET-337984 | 1-TR2 | | |
| BD-B336500A | 5-28 | EJ-692908 | 4-35x | ET-337985 | 1-TR9 | | |
| BD-B336500B | 5-29x | EL-337757 | 1-IN1, 2 | ET-337986 | 1-TR10 | | |
| BD-336496B | 5-38x | EL-337757 | 1-IN1 | EV-330724 | 1-VR3 | | |
| BT-338023 | 4-8x | EO-332116 | 1-L1 | EV-330725 | 1-VR1 | | |
| BT-338024 | 4-10x | EO-336934 | 1-L1 | EV-330843 | 1-VR2 | | |
| BT-338025 | 4-9x | EO-336934 | 2-L2, 3 | EV-337309 | 4-1x | | |
| BT-338026 | 4-11x | EO-336934 | 2-L1 to 4 | EV-338118 | 2-VR1 | | |
| BT-338028 | 4-12x | EO-337684 | 2-L1 | EW-306427 | 4-29x | | |
| BT-338029 | 4-13x | EO-338409 | 3-FL1 | EW-306428 | 4-28 | | |
| BT-338030 | 4-7 | EO-342936 | 4-4x | EW-328245 | 4-30x | | |
| EC-201643 | 1-C50, 51 | EP-323565 | 1-RL2 | EW-336923 | 4-31x | | |
| EC-314688 | 3-C1 | EP-337416 | 1-RL1 | EW-336924 | 4-33x | | |
| EC-316189 | 1-C53, 54 | ER-200944 | 2-R37, 38 | EW-336926 | 4-32x | | |
| EC-320548 | 1-C42 | ER-309781 | 2-R14 | SA-312465 | 4-15 | | |
| EC-320548 | 1-C43 | ER-311768 | 2-R15 | SK-B336468 | 5-3 | | |
| EC-320548 | 1-C44, 45 | ER-316802 | 1-R61, 62 | SK-B336472A | 5-5 | | |
| EC-320548 | 1-C46 to 49 | ER-322421 | 1-R41, 42 | SK-B336472B | 5-6x | | |
| EC-320548 | 3-C1 | ER-323075 | 1-R39, 40 | SK-B336472C | 5-7 | | |
| EC-324102 | 2-C7 | ER-323075 | 1-R51 | SK-B336472D | 5-8x | | |
| EC-324103 | 2-C6 | ER-323075 | 1-R59, 60 | SK-B336472E | 5-17 | | |
| EC-326583 | 1-C42 | ER-323075 | 1-R90, 91 | SK-B336472F | 5-18x | | |
| EC-326583 | 1-C43 | ER-323351 | 2-R18 | SK-B336472G | 5-19 | | |
| EC-330308 | 3-C1 | ER-323352 | 2-R17 | SK-B336472H | 5-20x | | |
| EC-332052 | 1-C27, 28 | ER-324185 | 1-R35 | SK-B336472J | 5-21 | | |
| EC-332052 | 2-C15, 16 | ER-324337 | 1-R17 | SK-B336472K | 5-22x | | |
| EC-334013 | 1-C31 | ER-324934 | 2-R27, 28 | SK-B336472L | 5-23 | | |
| EC-338032 | 1-C59, 60 | ER-328082 | 1-R47, 48 | SK-B336472M | 5-24x | | |
| EC-338411 | 3-C1 | ER-332225 | 1-FR1 | SK-B336472N | 5-25 | | |
| ED-200469 | 1-D8, 9 | ER-332225 | 2-FR1, 2 | SK-B336472P | 5-26x | | |
| ED-200469 | 1-D25, 26 | ER-333689 | 1-R52 | SK-B336474A | 5-9 | | |
| ED-200469 | 1-D3 | ER-333698 | 1-R94, 95 | SK-B336474B | 5-10x | | |
| ED-200469 | 2-D1, 2 | ER-337100 | 2-R16 | SK-336470A | 5-41 | | |
| ED-200469 | 2-D3 | ER-337752 | 1-R32 | SK-336470B | 5-42x | | |
| ED-200469 | 2-D5 | ER-337754 | R68, 69 | SK-336471A | 5-34 | | |
| ED-306469 | 1-D17 | ER-337754 | 1-R80 | SK-336471B | 5-35x | | |
| ED-323057 | 2-D4 | ER-337755 | 1-R74 | SK-336471C | 5-36x | | |
| ED-328481 | 1-D11 | ER-337756 | 1-FR3, 4 | SK-336479A | 5-15 | | |
| ED-330218 | 1-D20, 21 | ER-338000 | 1-FR2 | SK-336479B | 5-16x | | |
| ED-330218 | 2-D6, 7 | ER-338084 | 1-R75 | SP-336440G | 4-18x | | |
| ED-330320 | 1-D16 | ER-624756 | 1-R76 | SP-336440H | 4-17 | | |
| ED-336805 | 1-D13 | ES-328787 | 3-SW1 | SP-336440J | 4-20x | | |
| ED-337153 | 1-D10 | ES-328788 | 3-SW1 | SP-336440K | 4-19x | | |
| ED-337153 | 1-D12 | ES-336909 | 3-SW1 | SP-336440L | 4-21x | | |
| ED-337153 | 1-D14 | ES-337389 | 1-SW1 | SP-336440M | 4-22x | | |
| ED-337153 | 1-D22 | ES-337390 | 3-SW1 | SP-336443A | 5-39 | | |
| ED-337153 | 1-D29 | ES-337392 | 1-SW1 | SP-336443B | 5-40x | | |
| ED-337153 | 1-D4 to 7 | ES-337393 | 1-SW1 | SP-336494 | 4-14x | | |
| ED-337391 | 1-D1 to 3 | ES-337394 | 1-SW2 | SP-336496A | 5-37 | | |
| ED-337391 | 1-D4 | ES-337399 | 4-37 | SP-336499A | 5-32 | | |
| ED-337391 | 4-2x | ES-337400 | 2-SW3 | SP-336499B | 5-33x | | |
| ED-337395 | 4-5x | ES-337401 | 2-SW1 | SZ-631945 | 4-34 | | |
| ED-337751 | 1-D23 | ES-337402 | 4-36 | TA-336480 | 5-14x | | |
| ED-337751 | 1-D27, 28 | ES-337998 | 2-SW2 | TA-336501A | 5-30 | | |
| ED-337990 | 1-D18, 19 | ET-300931 | 1-TR22 | TA-336501B | 5-31x | | |
| ED-338041 | 1-D15 | ET-300931 | 1-TR26 | ZG-313027 | 5-27x | | |
| ED-338049 | 1-D24 | ET-301165 | 1-TR23 | ZG-336460 | 5-11x | | |
| EF-242605 | 4-38 | ET-301165 | 1-TR27 | ZS-308846 | 4-23 | | |
| EF-258344 | 4-46x | ET-305463 | 1-TR5 | ZS-322570 | 5-43 | | |
| EF-303348 | 4-43x | ET-305463 | 1-TR7 | ZS-322580 | 5-44x | | |
| EF-306949 | 4-42x | ET-305463 | 1-TR11 | ZS-565942 | 4-16x | | |
| EF-309388 | 4-41x | ET-305463 | 1-TR15 | ZW-305013 | 4-47x | | |
| EF-309392 | 4-44x | ET-305463 | 1-TR18 | | | | |
| EF-341260 | 4-40x | ET-305463 | 2-TR4 to 6 | | | | |
| EF-691007 | 4-39x | ET-307195 | 1-TR6 | | | | |

SECTION 4

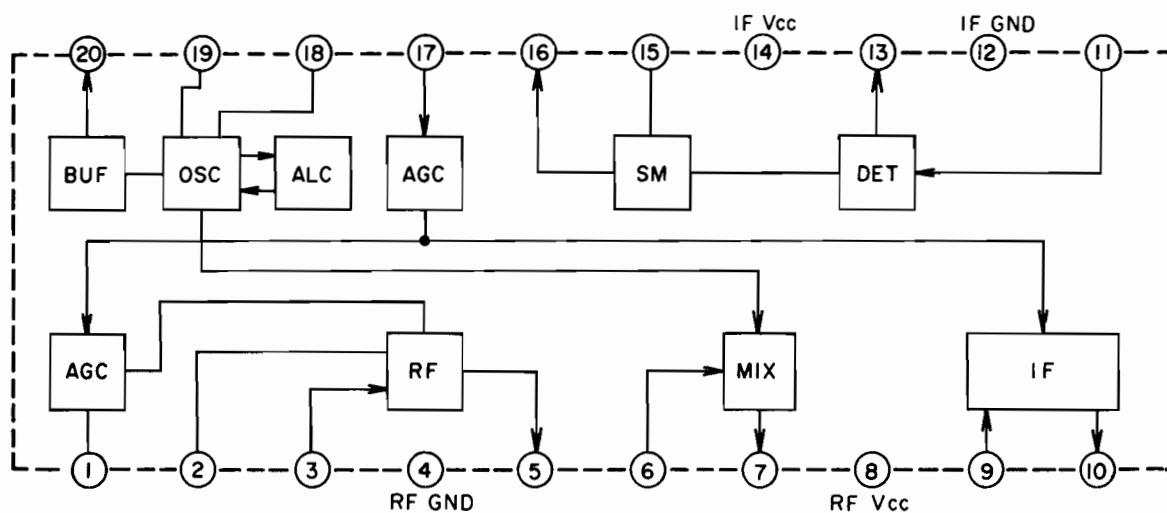
SCHEMATIC DIAGRAM

MODEL AT-S61/L/J MODEL AM-U41, AM-U61

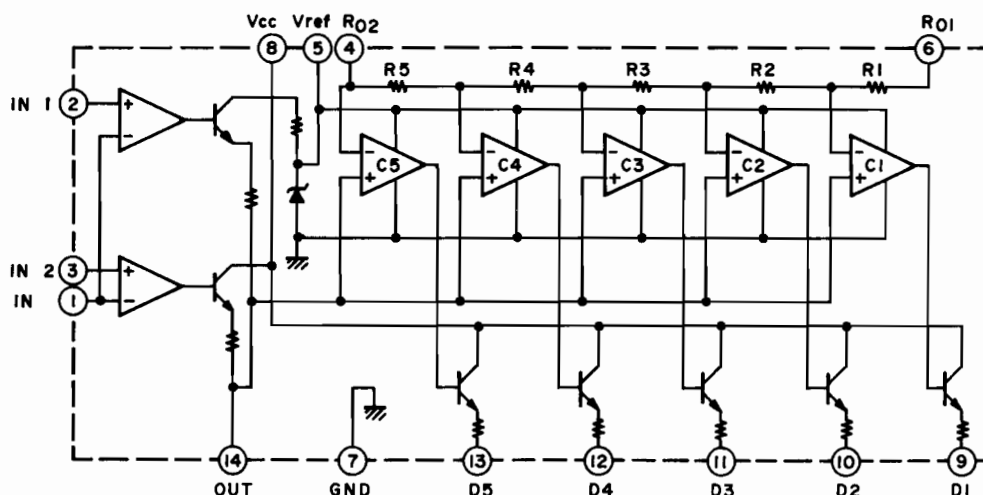
| | |
|--|----|
| 1. SCHEMATIC DIAGRAM OF ICs..... | 70 |
| 2. AT-S61 NO. 1640660A SCHEMATIC DIAGRAM..... | 75 |
| 3. AT-S61L NO. 1640661A SCHEMATIC DIAGRAM..... | 76 |
| 4. FT-S61J NO. 1640662A SCHEMATIC DIAGRAM..... | 77 |
| 5. AM-U41 NO. 1640846A SCHEMATIC DIAGRAM..... | 78 |
| 6. AM-U61 NO. 1640848A SCHEMATIC DIAGRAM..... | 79 |

SCHEMATIC DIAGRAM OF ICs

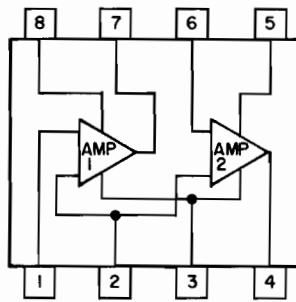
LA1245



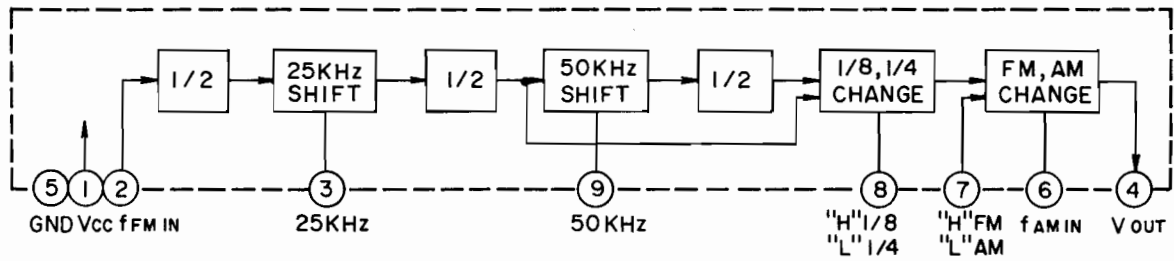
LB1426



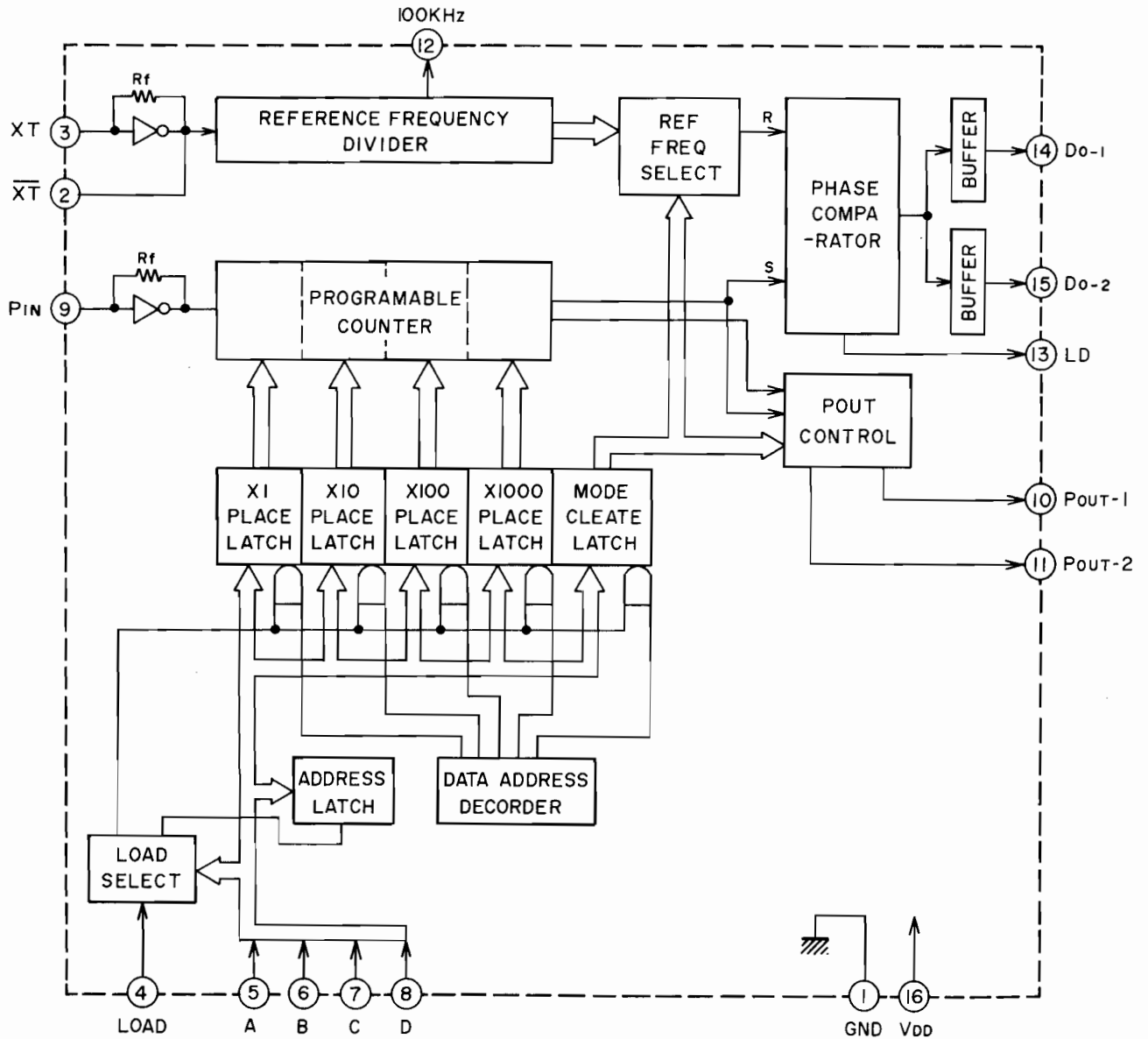
LA1222



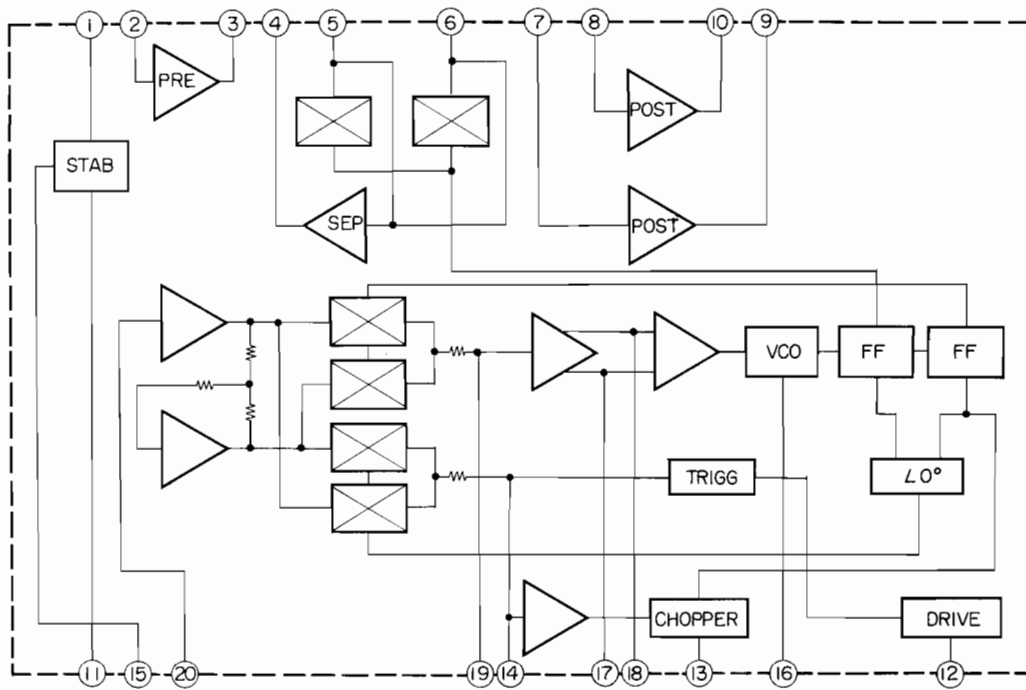
TD6102P



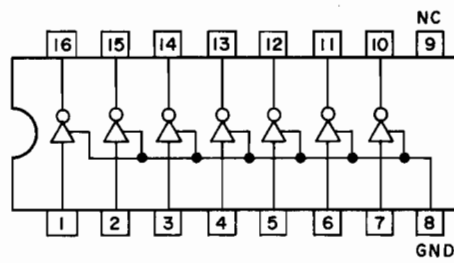
TC9125BP



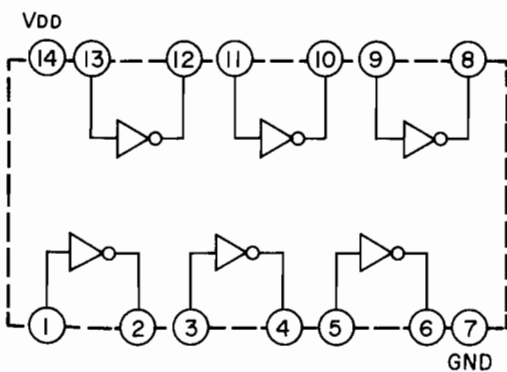
LA3381



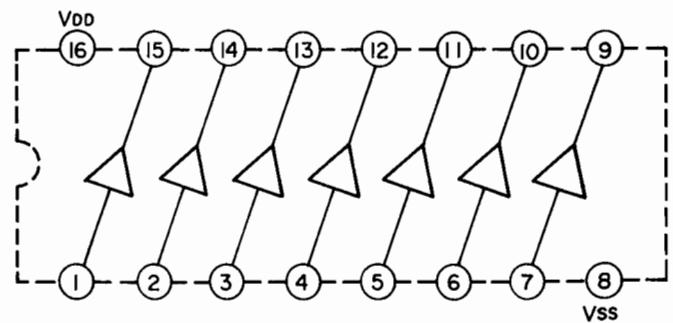
M54517



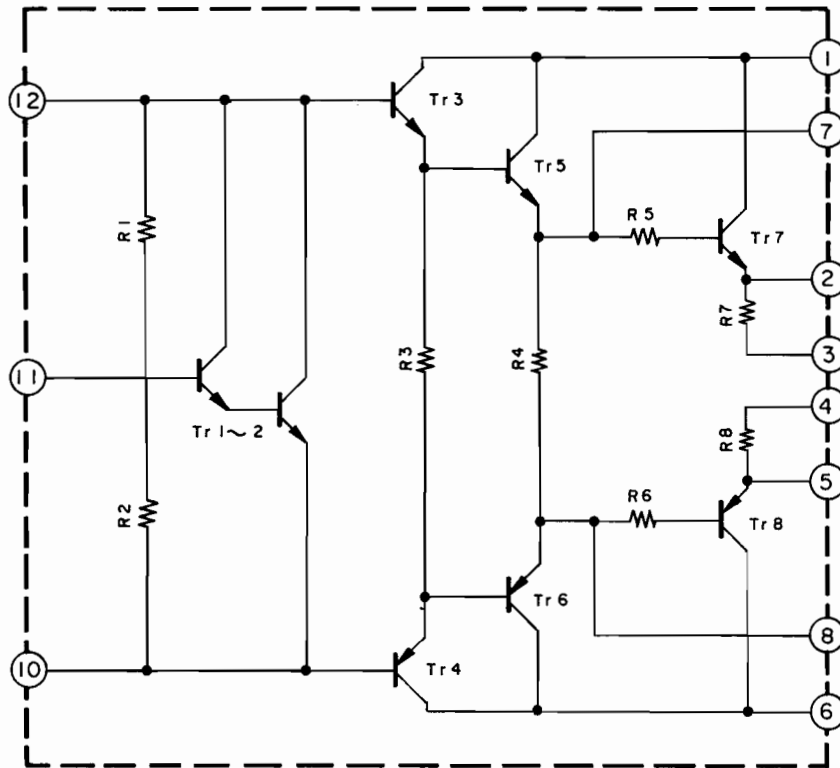
TC4069UB



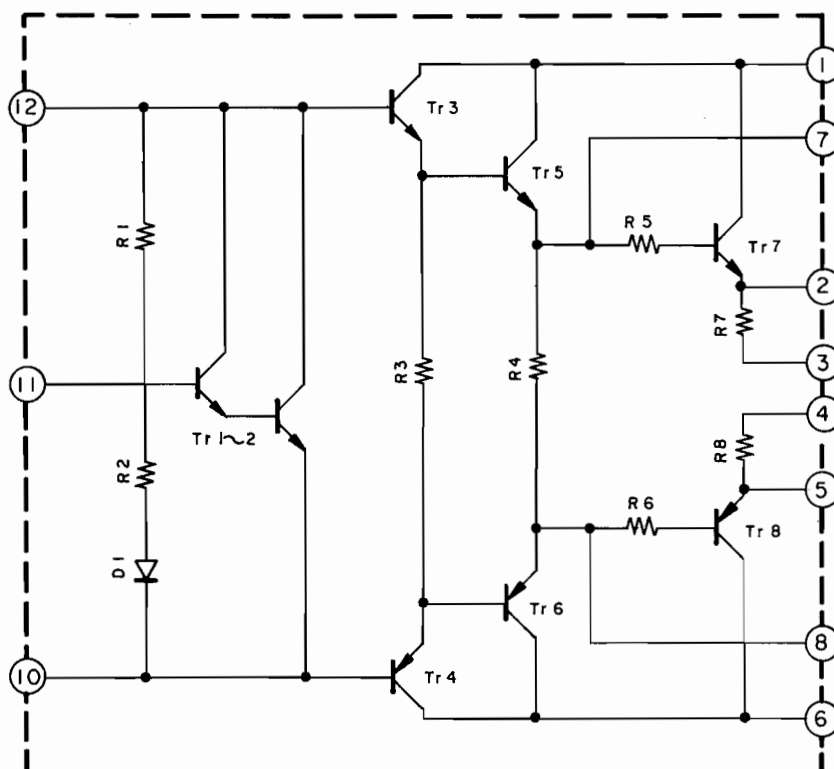
TC5066BP



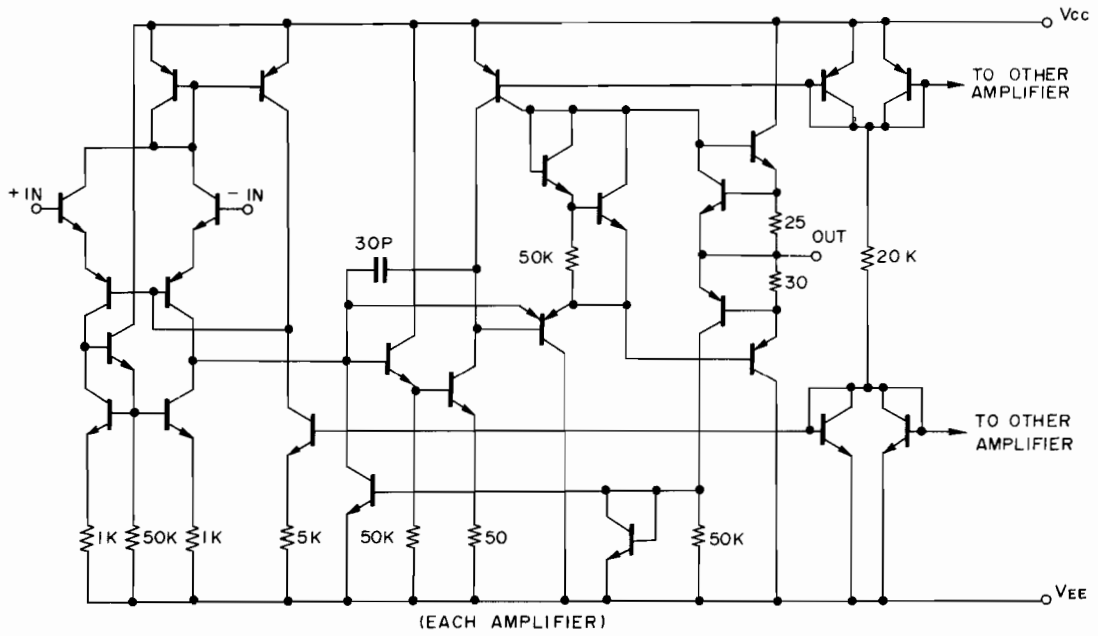
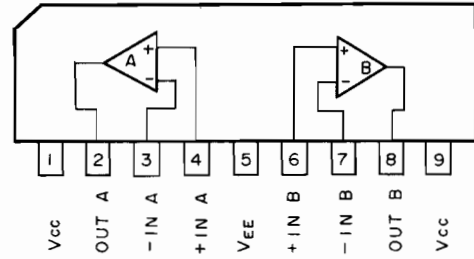
STK-1060II

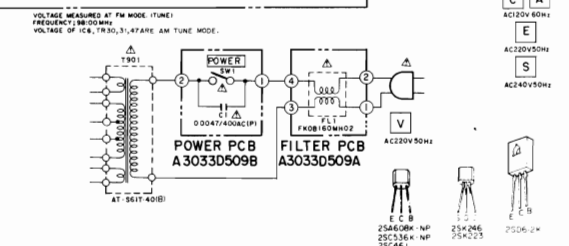
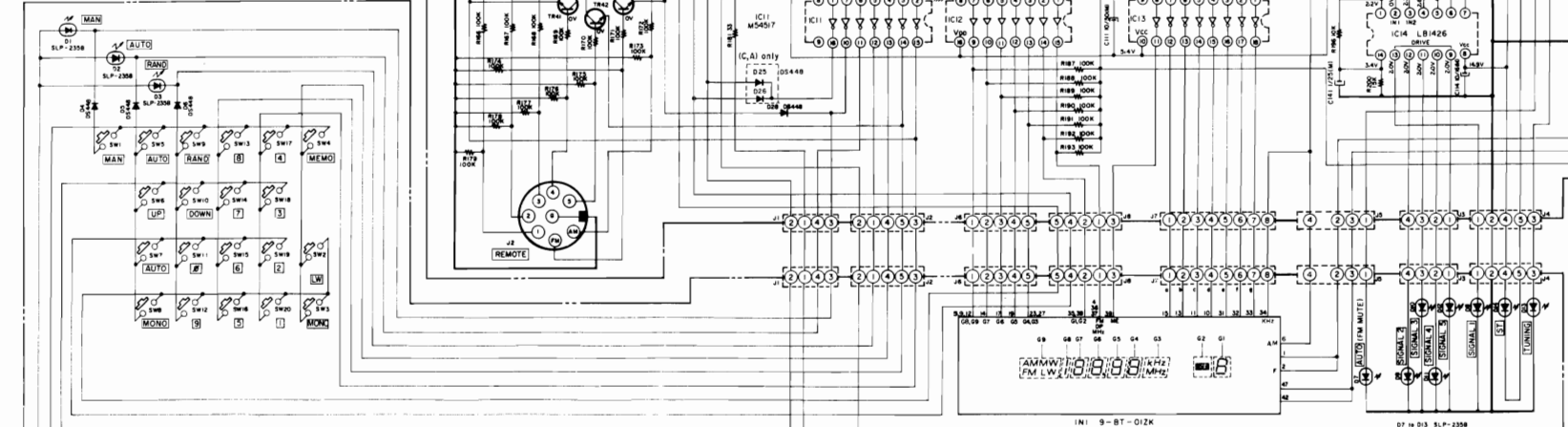
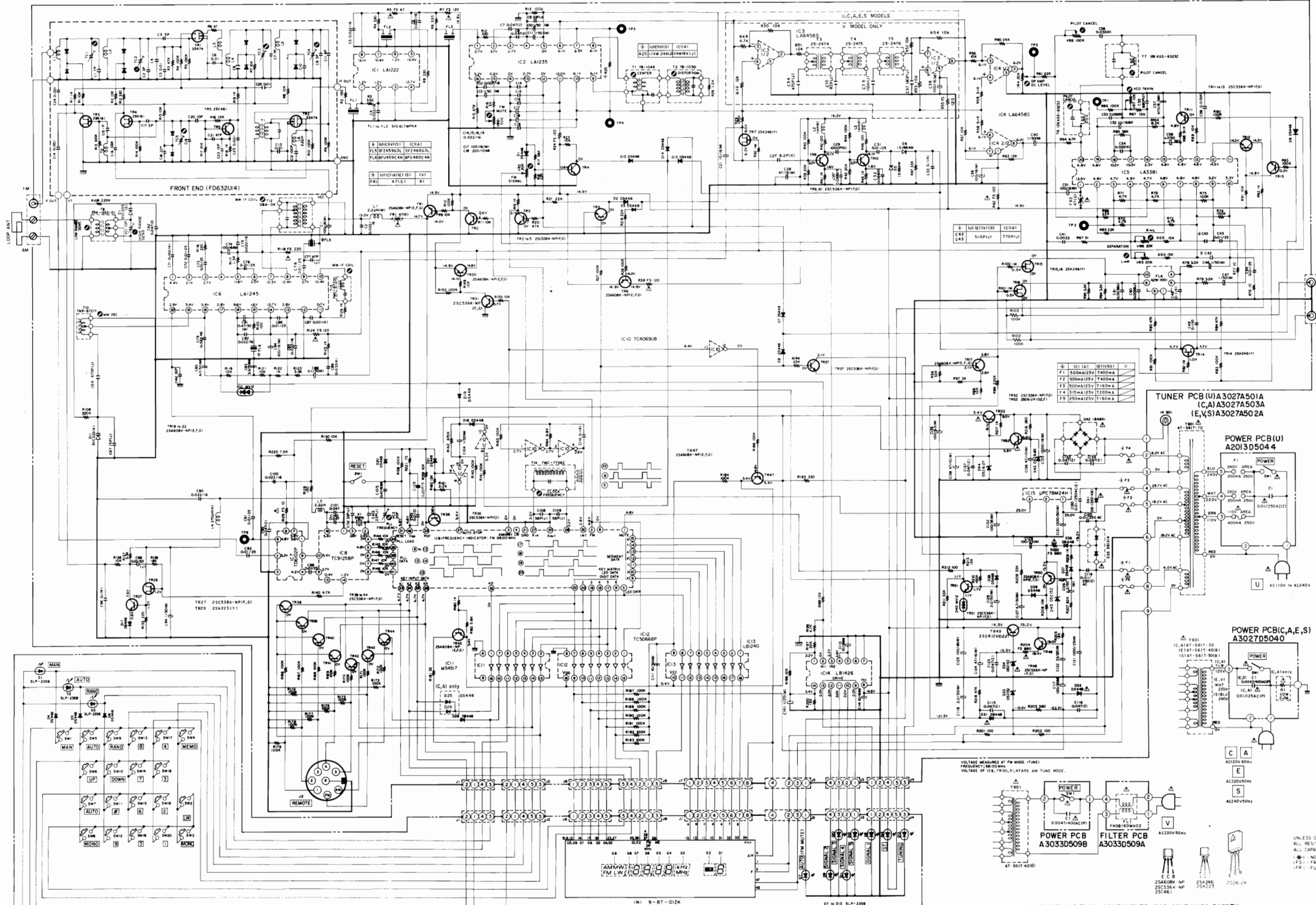
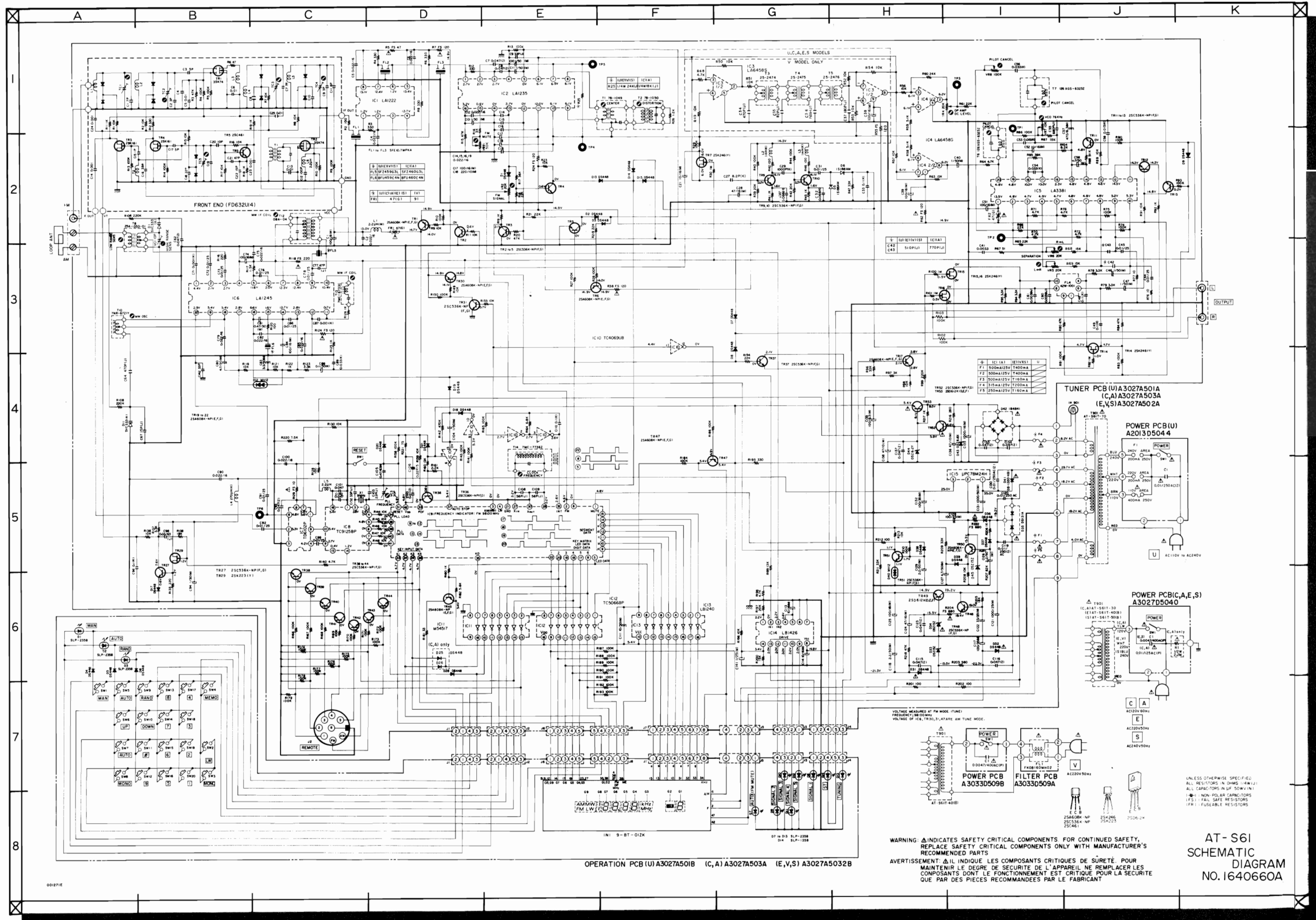


STK-1080II



TA75558S



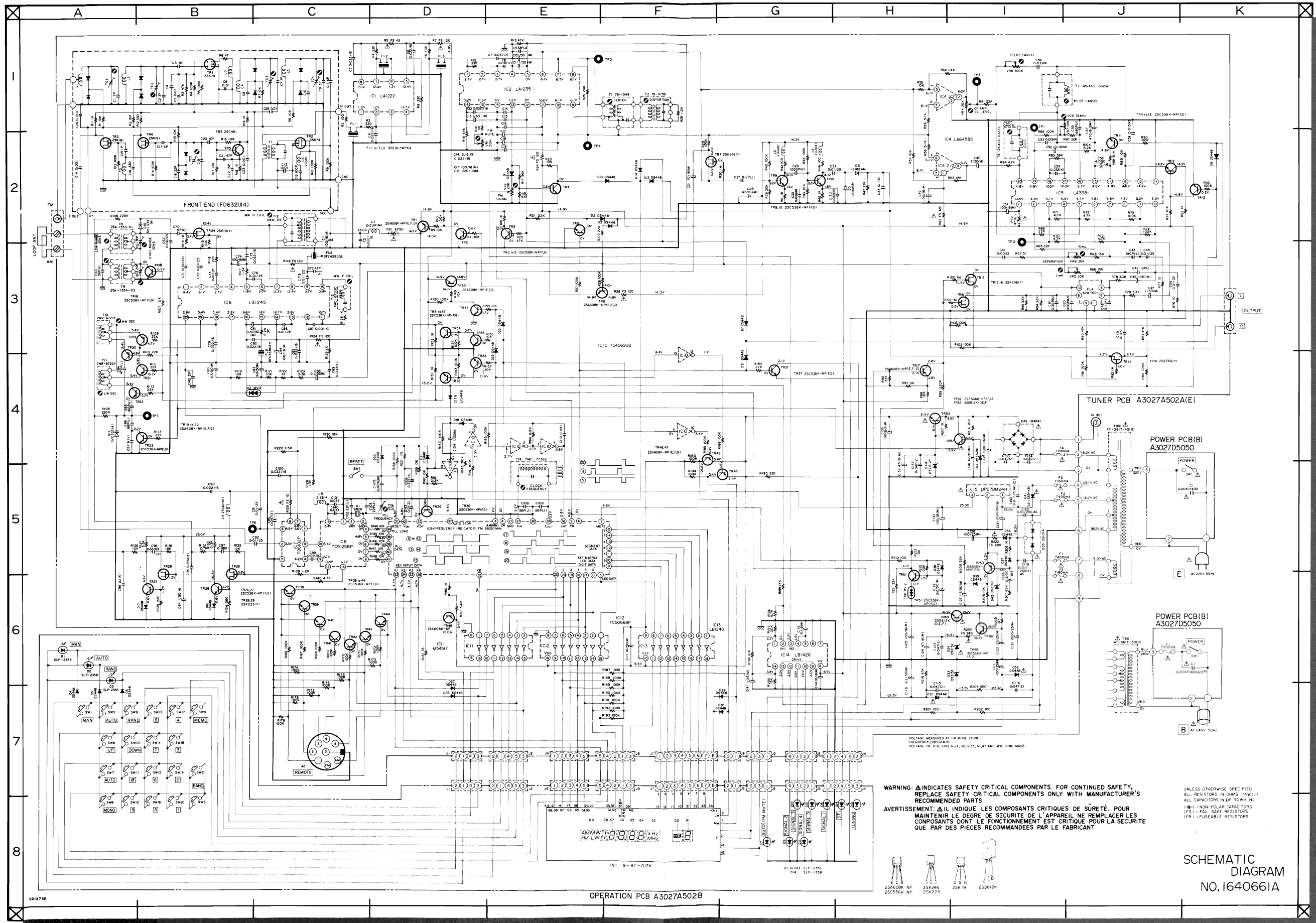


WARNING: Δ INDICATES SAFETY CRITICAL COMPONENTS FOR CONTINUED SAFETY. REPLACE SAFETY CRITICAL COMPONENTS ONLY WITH MANUFACTURER'S RECOMMENDED PARTS.
 AVERTISSEMENT: Δ IL INDIQUE LES COMPOSANTS CRITIQUES DE SÛRETÉ. POUR MAINTENIR LE DEGRÉ DE SÛRETÉ DE L'APPAREIL NE REMPLACER LES COMPOSANTS DONT LE FONCTIONNEMENT EST CRITIQUE POUR LA SÛRETÉ QUE PAR DES PIÈCES RECOMMANDÉES PAR LE FABRICANT.

AT-S61
 SCHEMATIC
 DIAGRAM
 NO. 1640660A

OPERATION PCB (U) A3027A501B (C,A) A3027A503A (E,V,S) A3027A5032B

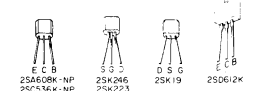
00271E



WARNING: ⚠ INDICATES SAFETY CRITICAL COMPONENTS. FOR CONTINUED SAFETY, REPLACE SAFETY CRITICAL COMPONENTS ONLY WITH MANUFACTURER'S RECOMMENDED PARTS.

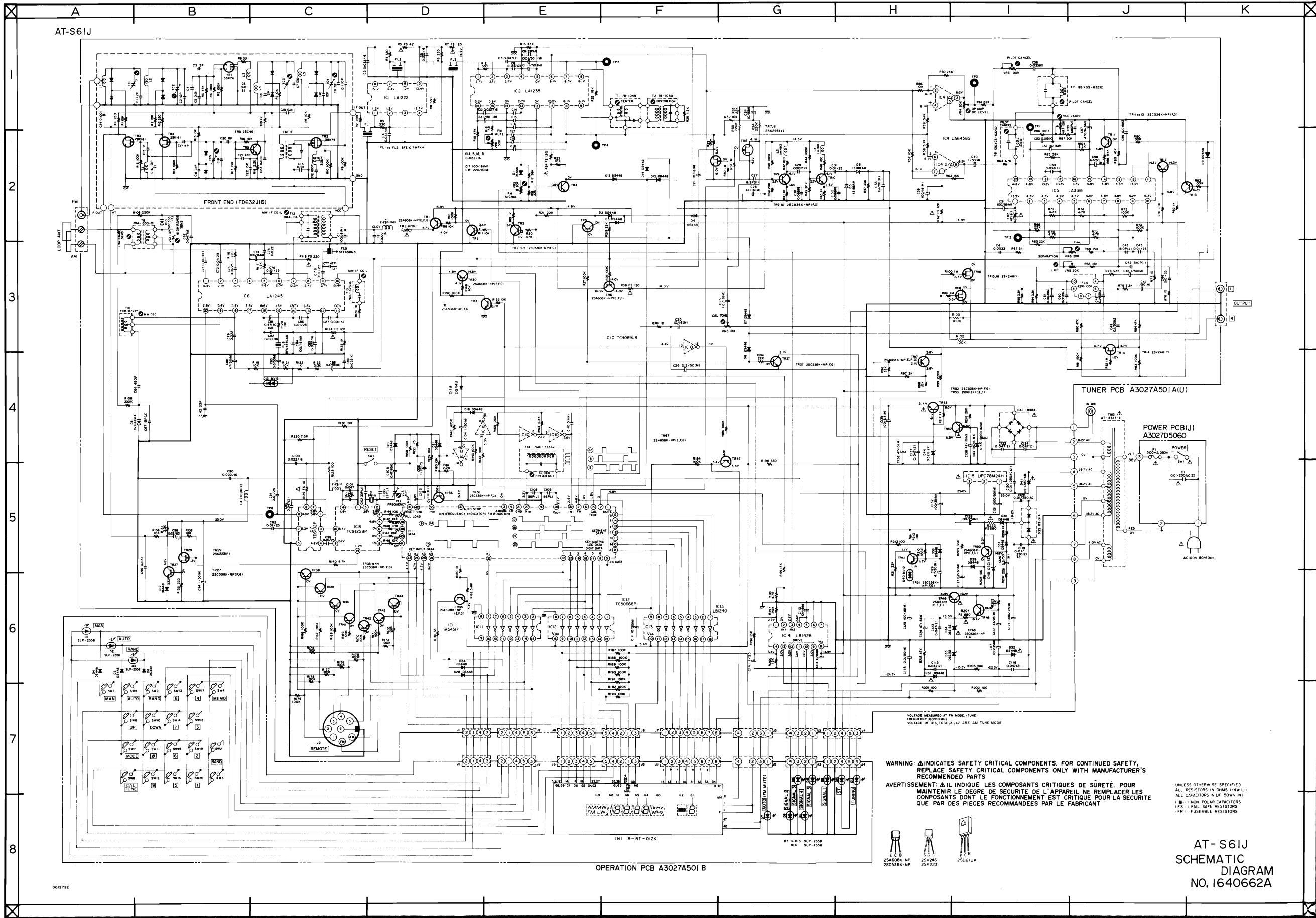
AVERTISSEMENT: ⚠ IL INDIQUE LES COMPOSANTS CRITIQUES DE SÛRETÉ. POUR MAINTENIR LE DEGRÉ DE SÛRETÉ DE L'APPAREIL, NE REMPLACER LES COMPOSANTS DONT LE FONCTIONNEMENT EST CRITIQUE POUR LA SÛRETÉ QUE PAR DES PIÈCES RECOMMANDÉES PAR LE FABRICANT.

UNLESS OTHERWISE SPECIFIED:
 ALL RESISTORS IN OHMS (4W/1/4W)
 ALL CAPACITORS IN P.F. (50WV/1N)
 (N) = NON-POLAR CAPACITORS
 (FS) = FAIL-SAFE RESISTORS
 (FR) = FUSEABLE RESISTORS



SCHEMATIC DIAGRAM NO. I640661A

OPERATION PCB A3027A502B

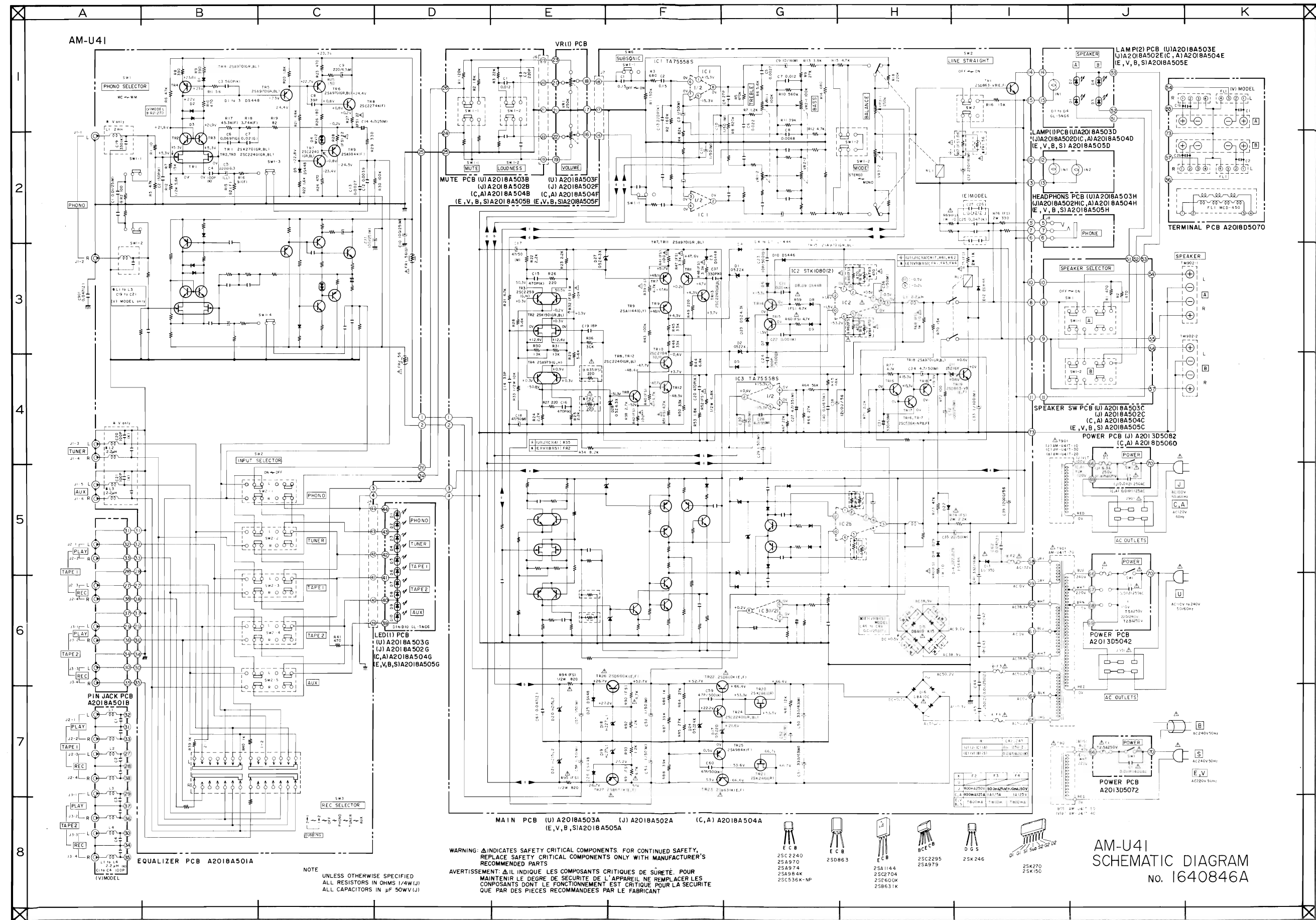


WARNING: ⚠ INDICATES SAFETY CRITICAL COMPONENTS. FOR CONTINUED SAFETY, REPLACE SAFETY CRITICAL COMPONENTS ONLY WITH MANUFACTURER'S RECOMMENDED PARTS.

AVERTISSEMENT: ⚠ IL INDIQUE LES COMPOSANTS CRITIQUES DE SÛRETÉ. POUR MAINTENIR LE DEGRÉ DE SÛRETÉ DE L'APPAREIL, NE REMPLACER LES COMPOSANTS DONT LE FONCTIONNEMENT EST CRITIQUE POUR LA SÛRETÉ QUE PAR DES PIÈCES RECOMMANDÉES PAR LE FABRICANT.

- UNLESS OTHERWISE SPECIFIED:
 ALL RESISTORS IN OHMS (R=K=K)
 ALL CAPACITORS IN UF (SOW=V)
 (N) = NON-POLAR CAPACITORS
 (FS) = FUSE SAFE RESISTORS
 (FR) = FUSEABLE RESISTORS
- ECB
 - 25A00K-NP
 - 25A045
 - 25A023
 - 250612K

AT-S61J
 SCHEMATIC
 DIAGRAM
 NO. 1640662A

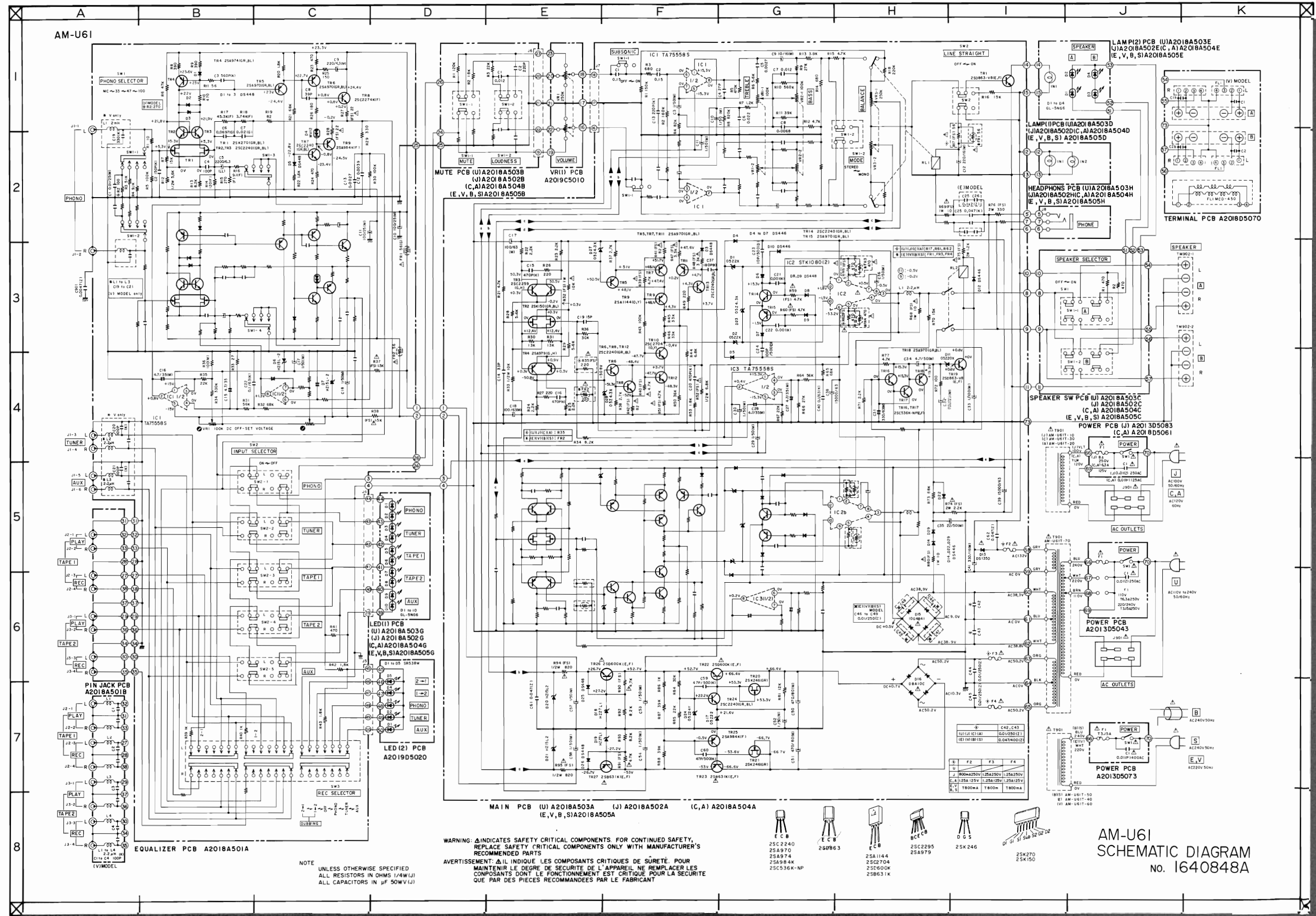


WARNING: Δ INDICATES SAFETY CRITICAL COMPONENTS. FOR CONTINUED SAFETY, REPLACE SAFETY CRITICAL COMPONENTS ONLY WITH MANUFACTURER'S RECOMMENDED PARTS.

AVERTISSEMENT: Δ IL INDIQUE LES COMPOSANTS CRITIQUES DE SÛRETÉ. POUR MAINTENIR LE DEGRÉ DE SÛRETÉ DE L'APPAREIL NE REMPLACER LES COMPOSANTS DONT LE FONCTIONNEMENT EST CRITIQUE POUR LA SÛRETÉ QUE PAR DES PIÈCES RECOMMANDÉES PAR LE FABRICANT.

- | | | | | | | | | | |
|-----|------------|-----|--------|-----|---------|-----|---------|-----|--------|
| ECB | 25C2240 | ECB | 25D063 | ECB | 25A1144 | ECB | 25C2295 | ECB | 25K246 |
| | 25A970 | | | | 25C2704 | | 25A979 | | |
| | 25A974 | | | | 25E600K | | | | |
| | 25A984K | | | | 25B631K | | | | |
| | 25C536K-HP | | | | | | | | |

AM-U41 SCHEMATIC DIAGRAM No. 1640846A



AM-U61
SCHEMATIC DIAGRAM
No. 1640848A