

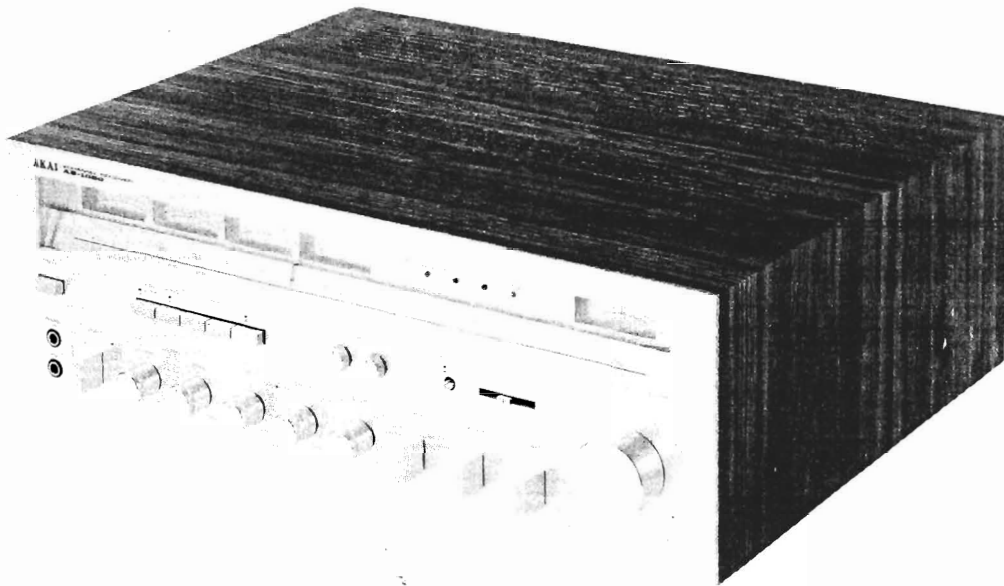
SERVICE MANUAL

PARTS LIST

MODEL AS-1080

AKAI

ALSO APPLICABLE TO MODEL AS-1080DB AND AS-1070



STEREO RECEIVER

MODEL AS-1080

ALSO APPLICABLE TO MODEL AS-1080DB AND AS-1070

SECTION 1	SERVICE MANUAL	1
SECTION 2	PARTS LIST	29
SECTION 3	SCHEMATIC DIAGRAM	41

SECTION 1

SERVICE MANUAL

TABLE OF CONTENTS

I.	TECHNICAL DATA	2
II.	DISMANTLING OF UNIT	6
III.	ARRANGEMENT OF PRINCIPAL PARTS	7
IV.	FM TUNER SECTION ADJUSTMENTS	8
	1. Model AS-1080 and AS-1080DB	9
	2. Model AS-1070	10
V.	AM TUNER SECTION ADJUSTMENTS	11
VI.	CD-4 ADJUSTMENTS	12
VII.	SQ ADJUSTMENTS	14
VIII.	DOLBY N.R. CIRCUIT ADJUSTMENTS	15
IX.	MAIN AMPLIFIER ADJUSTMENTS	16
X.	TUNING CORD THREADING	17
XI.	CLASSIFICATION OF VARIOUS P.C BOARDS	18
	1. P.C BOARD INTERCHANGEABILITY CHART	18
	2. COMPOSITION OF VARIOUS P.C BOARDS	19

For basic adjustments, measuring methods, and operating principles, refer to GENERAL OPERATING PRINCIPLES AND ADJUSTMENTS.

I. TECHNICAL DATA

MODEL AS-1080 and AS-1080DB

1. AMPLIFIER SECTION

CONTINUOUS POWER OUTPUT		
4 CHANNELS DRIVEN		40 watts per channel, min. RMS, at 8 ohms from 20 to 20,000 Hz, with no more than 0.2% total harmonic distortion.
2 CHANNELS DRIVEN		80 watts per channel, min. RMS, at 8 ohms from 20 to 20,000 Hz with no more than 0.2% total harmonic distortion.
TOTAL HARMONIC DISTORTION	(1 kHz)	Less than 0.2%
POWER BANDWIDTH (IHF)		10 to 60,000 Hz/8 ohms (Distortion within 0.2%)
INPUT SENSITIVITY	PHONO	3 mV/47 k ohms (CD-4 1.5 mV/47 k ohms)
	AUX	160 mV/47 k ohms
	TAPE 1 & 2	160 mV/47 k ohms
SIGNAL TO NOISE RATIO (IHF)	PHONO	Better than 80 dB
	AUX	Better than 90 dB
CHANNEL SEPARATION (IHF)	PHONO	Better than 50 dB (at 1,000 Hz)
EQUALIZER		RIAA ± 1 dB (Phono)
TONE CONTROL	BASS	± 10 dB at 100 Hz
	TREBLE	± 10 dB at 10 kHz
LOUDNESS CONTROL		+9 dB at 100 Hz, +4 dB at 10 kHz (Volume Control at -30 dB position)
FILTER	HIGH	-6 dB at 10 kHz
	LOW	-10 dB at 50 Hz
DOLBY SYSTEM		Dolby "B" Processor (AS-1080DB only)
DOLBY TONE		400 Hz/Rec Out, Pin 150 mV (AS-1080DB only)

2. FM TUNER SECTION

FREQUENCY RANGE		88 to 108 MHz
SENSITIVITY (IHF)		1.9 μ V
CAPTURE RATIO (IHF)		1.0 dB
SELECTIVITY (IHF)		Better than 70 dB at 98 MHz
SIGNAL TO NOISE RATIO		Better than 70 dB
IMAGE REJECTION		Better than 75 dB at 98 MHz
IF REJECTION		Better than 90 dB at 98 MHz
SPURIOUS REJECTION		Better than 80 dB at 98 MHz
HARMONIC DISTORTION	MONAURAL	Less than 0.2%
	STEREO	Less than 0.4%
FM STEREO SEPARATION		Better than 40 dB (1,000 Hz)
FM MUTING		Variable (3 to 300 μ V/ON-OFF)
ANTENNA INPUT IMPEDANCE		300 ohms balanced, 75 ohms unbalanced

3. AM TUNER SECTION

FREQUENCY RANGE		535 to 1,605 kHz
SENSITIVITY (IHF)		200 μ V/m (Bar Antenna), 5 μ V (EXT Antenna)
IMAGE REJECTION		Better than 55 dB at 1,000 kHz
IF REJECTION		Better than 45 dB at 1,000 kHz
SELECTIVITY (IHF)		Better than 30 dB at 1,000 kHz
AM DISTORTION		Less than 0.6%
SIGNAL TO NOISE RATIO		Better than 50 dB

4. OTHER

TRANSISTOR	2SA640 (E) (F) 6 (6) 2SA733 (P) (Q) (R) 4 (4) 2SC930 (E) (F) 2 (2) 2SC1000 (GR) (BL) 6 (6) 2SC1384 (P) (Q) 1 (1) 2SC1628 (O) (Y) 8 (8) 2SB548 (P) (Q) 1 (1)	2SA640-1 (E) (F) (G) (H) . . . 8 (8) 2SC458LG (B) (C) 4 (4) 2SC945L (K) (P) (Q) (R) 27 (29) 2SC1222 (E) (F) 10 (10) 2SC1520-3 (K) (L) 4 (4) 2SD313 (E) (F) 2 (2)
DIODE	1S188 0 (4) 1S2472 9 (9) 1S2473F 7 (7) 10D1 4 (4) S5188 1 (1) WZ130 2 (2) IT243M47 3 (3) SEL305GC 0 (1)	1S188AM 4 (8) 1S2473 2 (2) 1S2473VE 10 (10) 10D2 3 (3) WZ120 1 (2) WZ162 3 (3) SEL105RC 4 (4) VD1221 4 (4)
IC	CX-049 1 (1) CX-718 1 (1) TA7129P 2 (2) LA3550 1 (1) NE545B 0 (4)	CX-050 1 (1) CD4-394 2 (2) LA1230 1 (1) μ PC30C 1 (1) S-60W 4 (4)
POWER REQUIREMENT	CSA, UL and LA Models: 120V, 60 Hz only CEE Models: 220V, 50 Hz only Other Models: 110/220/240V (Switchable)	
DIMENSIONS	520 (W) x 182 (H) x 409 (D) mm 20.5 (W) x 7.2 (H) x 16.1 (D) inches	
WEIGHT	19.0 kg (41.8 lbs) Model AS-1080 19.3 kg (42.5 lbs) Model AS-1080DB	

- NOTES: 1. The numbers shown in parentheses (Transistor, Diode and IC) are applicable to Model AS-1080DB.
2. For improvement purposes, specifications and design are subject to change without notice.
3. Noise reduction circuit made under license from Dolby Laboratories Inc.
The word 'DOLBY' and the Double-D symbol are trademarks of Dolby Laboratories Inc.

MODEL AS-1070

1. AMPLIFIER SECTION

CONTINUOUS POWER OUTPUT		
4 CHANNELS DRIVEN		25 watts per channel, min. RMS, at 8 ohms from 20 to 20,000 Hz, with no more than 0.3% total harmonic distortion.
2 CHANNELS DRIVEN		50 watts per channel, min. RMS, at 8 ohms from 20 to 20,000 Hz, with no more than 0.3% total harmonic distortion.
POWER BANDWIDTH (IHF)		10 to 60,000 Hz/8 ohms (Distortion within 0.3%)
INPUT SENSITIVITY	PHONO	3 mV/47 k ohms (CD-4 1.5 mV/47 k ohms)
	AUX	160 mV/47 k ohms
	TAPE 1 & 2	160 mV/47 k ohms
SIGNAL TO NOISE RATIO (IHF)	PHONO	Better than 80 dB
	AUX	Better than 90 dB
CHANNEL SEPARATION (IHF)	PHONO	Better than 50 dB (at 1,000 Hz)
EQUALIZER		RIAA ± 1 dB (Phono)
TONE CONTROL	BASS	± 10 dB at 100 Hz
	TREBLE	± 10 dB at 10 kHz
LOUDNESS CONTROL		+9 dB at 100 Hz, +4 dB at 10 kHz (Volume Control at -30 dB position)
FILTER	HIGH	-6 dB at 10 kHz
	LOW	-10 dB at 50 Hz

2. FM TUNER SECTION

FREQUENCY RANGE		88 to 108 MHz
SENSITIVITY (IHF)		1.9 μ V
CAPTURE RATIO (IHF)		1.0 dB
SELECTIVITY (IHF)		Better than 70 dB at 98 MHz
SIGNAL TO NOISE RATIO		Better than 70 dB
IMAGE REJECTION		Better than 65 dB at 98 MHz
IF REJECTION		Better than 80 dB at 98 MHz
SPURIOUS REJECTION		Better than 70 dB at 98 MHz
HARMONIC DISTORTION	MONAURAL	Less than 0.2%
	STEREO	Less than 0.4%
FM STEREO SEPARATION		Better than 40 dB (1,000 Hz)
FM MUTING		Variable (3 to 300 μ V/ON-OFF)
ANTENNA INPUT IMPEDANCE		300 ohms balanced, 75 ohms unbalanced

3. AM TUNER SECTION

FREQUENCY RANGE		535 to 1,605 kHz
SENSITIVITY (IHF)		200 μ V/m (Bar Antenna) 5 μ V (EXT Antenna)
IMAGE REJECTION		Better than 55 dB at 1,000 kHz
IF REJECTION		Better than 45 dB at 1,000 kHz
SELECTIVITY (IHF)		Better than 30 dB at 1,000 kHz
AM DISTORTION		Less than 0.6%
SIGNAL TO NOISE RATIO		Better than 50 dB

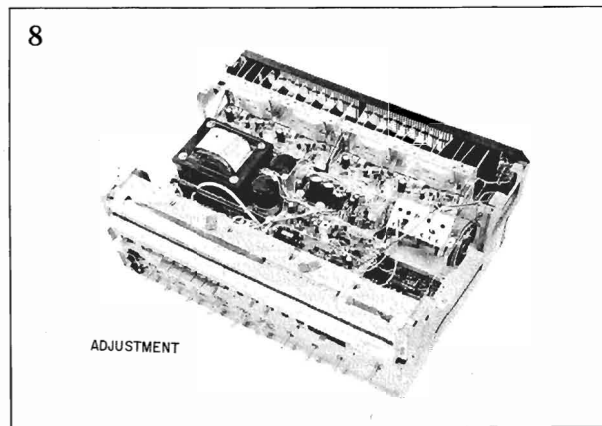
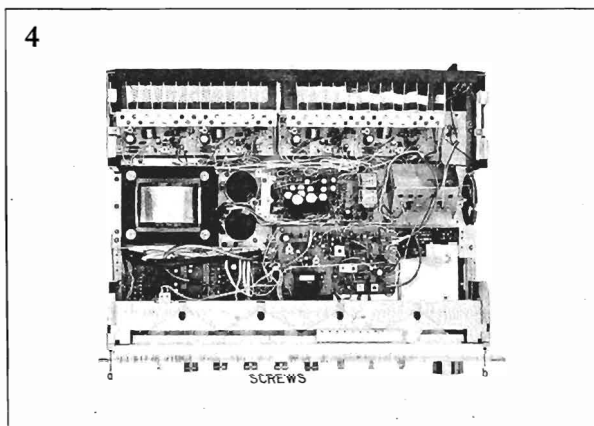
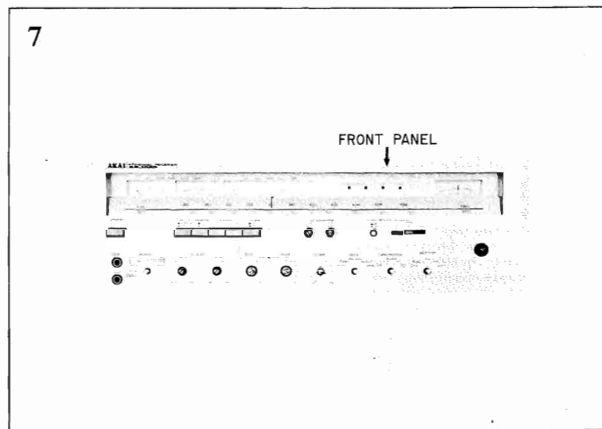
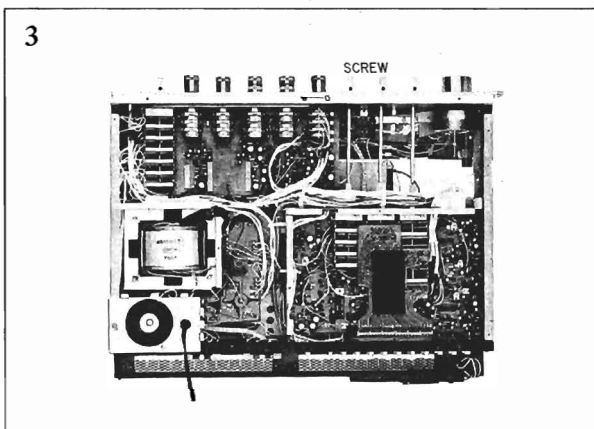
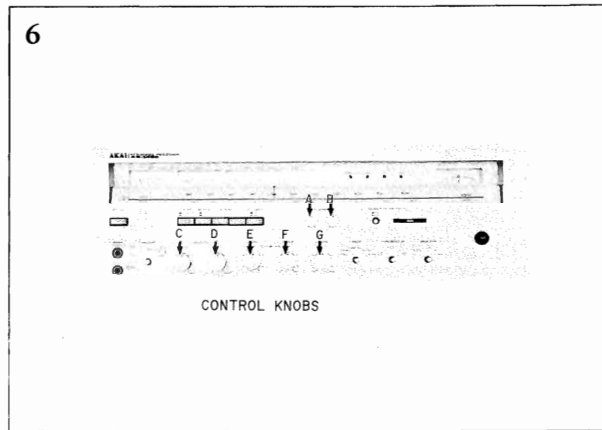
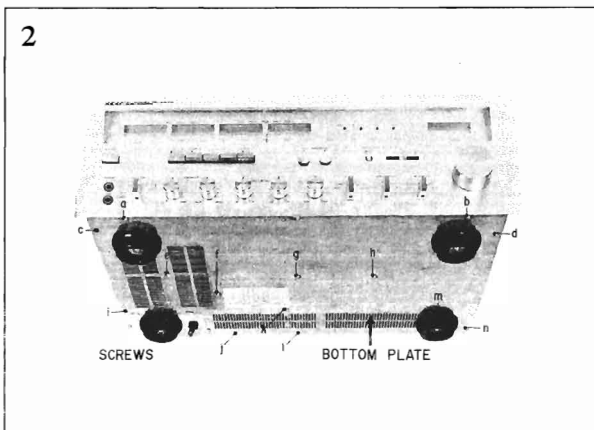
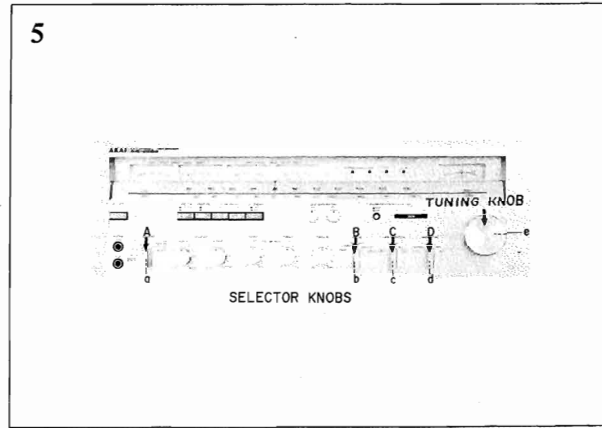
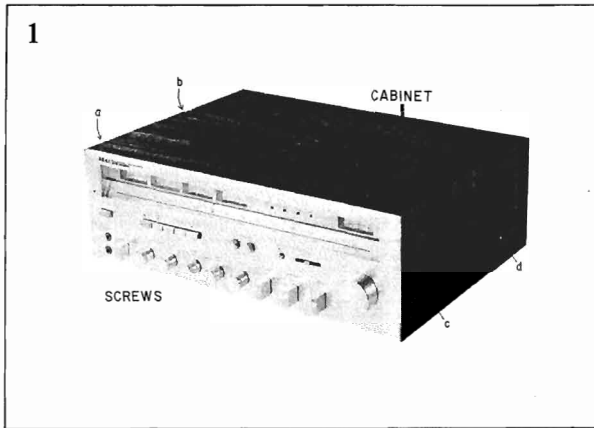
4. OTHER

TRANSISTOR	2SA640 (E) (F) 6 2SA733 (P) (Q) (R) 4 2SC930 (E) (F) 2 2SC1000 (GR) (BL)..... 6 2SC1384 (P) (Q) 1 2SC1628 (P) (Y) 4 2SB548 (P) (Q) 1	2SA640-1 (E) (F) (G) (H) ... 8 2SC458LG (B) (C)..... 4 2SC945L (K) (P) (Q) (R).... 23 2SC1222 (E) (F) 10 2SC1520-3 (K) (L)..... 4 2SD313 (E) (F) 2
DIODE	1S188AM 2 1S2473 2 10D1 4 HIFI SPECIAL 400V 3A . 4 WZ120 1 WZ162 3 SEL105RC 3	1S2472 9 1S2473VE 10 10D2 3 WZ130 2 IT243M47 3 VD1221 4
IC	CX-049 1 CX-718 1 TA7129P 2 LA3350 1 S-40W 4	CX-050 1 CD4-392 2 LA1230 1 μ PC30C 1
POWER REQUIREMENT	CSA, UL and LA Models: 120V, 60 Hz only CEE Models: 220V 50 Hz only Other Models: 110/220/240V (Switchable)	
DIMENSIONS	520 (W) \times 182 (H) \times 409 (D) mm 20.5 (W) \times 7.2 (H) \times 16.1 (D) inches	
WEIGHT	17.6 kg (38.7 lbs)	

NOTE: For improvement purposes, specifications and design are subject to change without notice.

II. DISMANTLING OF UNIT

In case of trouble, etc. necessitating disassembly, please disassemble in the order shown in photographs. Reassemble in reverse order.



III. ARRANGEMENT OF PRINCIPAL PARTS

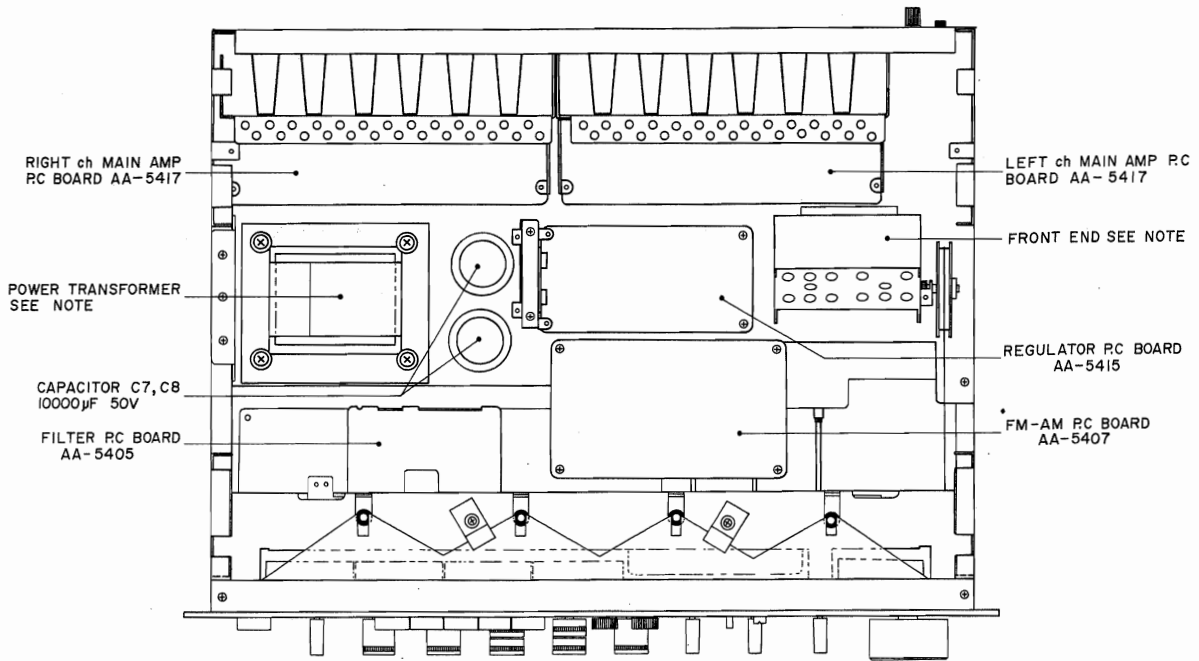


Fig. 1 Top View

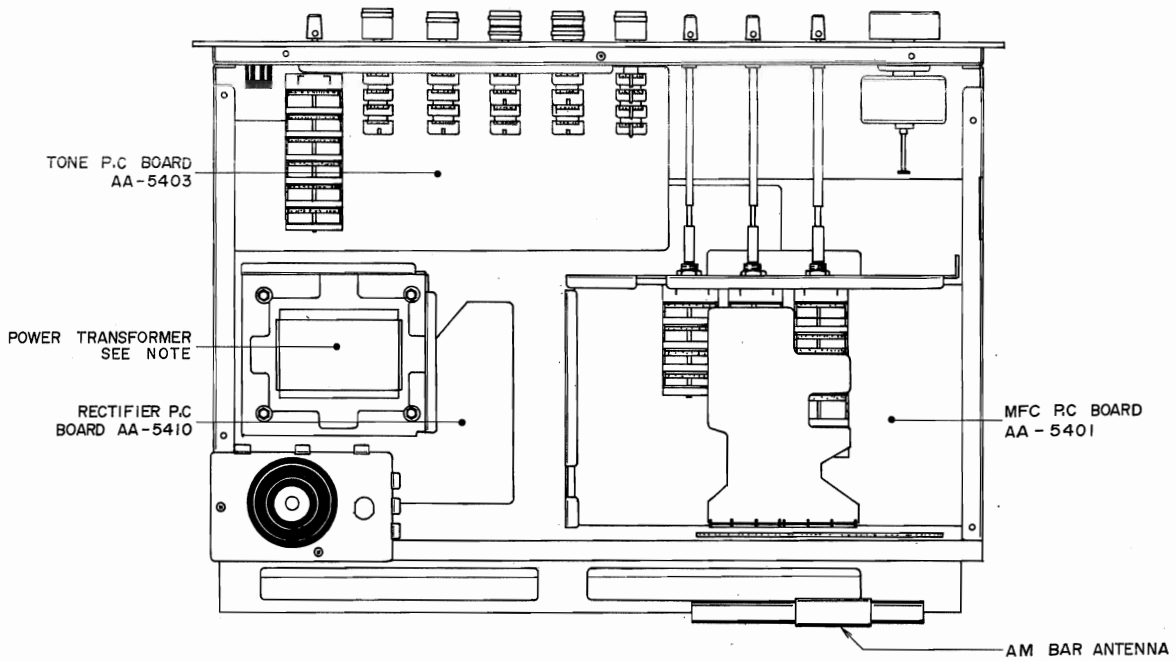


Fig. 2 Bottom View

NOTE

Model	Power Trans	Front End
AS-1080	AA-1080T-5	FL329U
AS-1080DB	AA-1080T-5	FL329U
AS-1070	AA-1070T-5	FB112U21

IV. FM TUNER SECTION ADJUSTMENTS

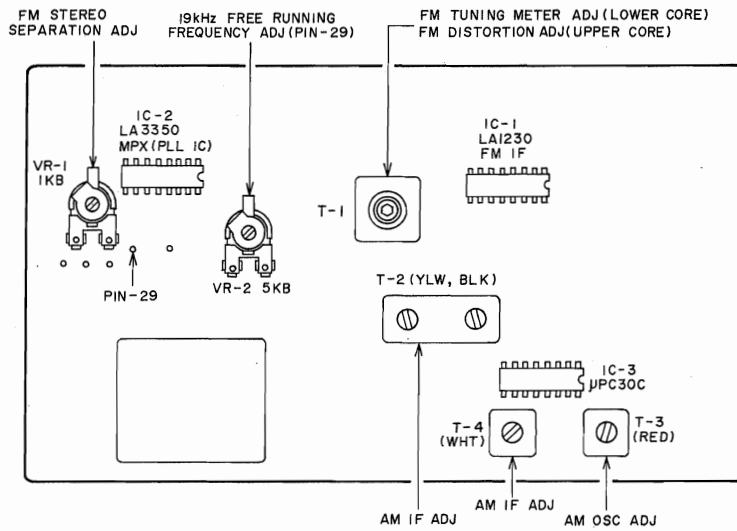


Fig. 3 IF P.C Board AA-5407

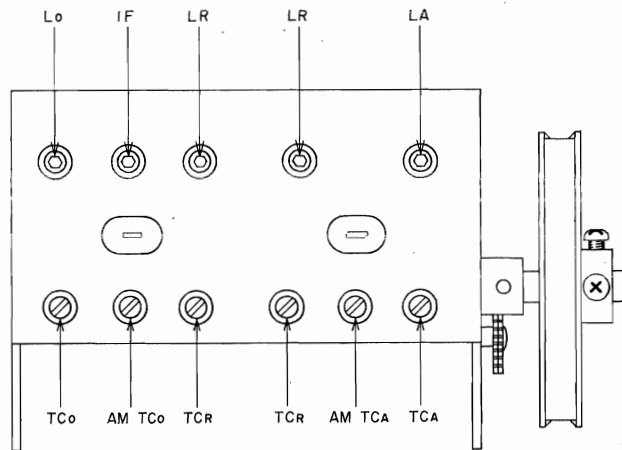


Fig. 4 Front End AS-1080/DB

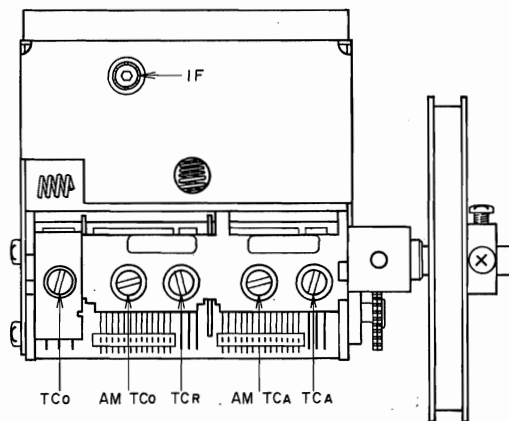


Fig. 5 Front End AS-1070

1. Model AS-1080 and AS-1080DB

Step	Adjustment Item	Adjustment Point	Result	Remarks
1	Front End IF coil adjustment	IF coil (Front End)	Maximum noise level	Selector to "FM" Tune only noise without interference of broadcasting.
2	Tuning Meter Centering	T-1 Lower side core (IF P.C Board)	Center indication of Tuning Meter	Same as above
3	Distortion factor adjustment	T-1 Upper side core (IF P.C Board)	Less than 0.5% distortion factor	108 MHz, 60 dB (mono) input. Less than 0.5% on both channels.
4	Confirmation of Tuning Meter indication			If Tuning Meter indication is not at center position, re-adjust STEPS 2 and 3 above.
5	Frequency Coverage adjustment	TCo (high range) Lo (low range) (Front End)	error: within ± 250 kHz	108 MHz, 60 dB (mono) input.
6	Sensitivity adjustment	TCR, TCA (high range) LR, LA (low range) (Front End)	Less than 3% distortion factor	108 MHz, Less than 10 dB (mono) input.
7	PLL IC Free Running Frequency adjustment	VR-2 5 kB (IF P.C Board)	19.00 kHz	Mute Switch to "ON". Frequency Counter to PIN-29 (IF P.C Board). See NOTE-2.
8	Stereo Indicator Lighting confirmation			98 MHz, 60 dB (stereo) input. Failure of stereo indicator to light means that stereo broadcasts are not being received.
9	Stereo Separation adjustment	VR-1 1 kB (IF P.C Board)	More than 38 dB	98 MHz, 60 dB (stereo), L-ch input. Distortion factor must be Less than 0.7%
10	Stereo Separation adjustment		More than 38 dB	98 MHz, 60 dB (stereo), R-ch input. Distortion factor must be less than 0.7% and if it exceeds 0.7%, adjust the coil in STEP 1 within a half turn.
11	Confirmation of Tuning Meter indication		Tuning Meter: Center	

Chart-1

NOTE-1: In the event that the distortion factors in STEP 6 is not less than 3%, re-adjust Front End Trimmers TCR, TCA, LR, LA to obtain an optimum distortion factor on the average of three points 88, 98 and 109 MHz.

NOTE-2: Free running frequency of the PLL IC must be an exact 19.00 kHz.

2. Model AS-1070

Step	Adjustment Item	Adjustment Point	Result	Remarks
1	Front End IF coil adjustment	IF coil (Front End)	Maximum noise level	Selector to "FM". Tune only noise without interference of broadcasting.
2	Tuning Meter Centering	T-1 Lower side core (IF P.C Board)	Center indication of Tuning Meter	Same as above
3	Distortion factor adjustment	T-1 Upper side core (IF P.C Board)	Less than 0.5% distortion factor	108 MHz, 60 dB (mono) input. Less than 0.5% on both channels.
4	Confirmation of Tuning Meter Indication			If Tuning Meter indication is not at center position, re-adjust in STEPS 2 and 3 above.
5	Frequency Coverage adjustment	TCo (high range) (Front End)	error: within ± 250 kHz	108 MHz, 60 dB (mono) input.
6	Sensitivity adjustment	TCR, TCA (high range) (Front End)	Less than 3% distortion factor	108 MHz, Less than 10 dB (mono) input.
7	PLL IC Free Running Frequency adjustment	VR-2 5 kB (IF P.C Board)	19.00 kHz	Mute Switch to "ON". Frequency Counter to PIN-29 (IF P.C Board). See NOTE-2.
8	Stereo Indicator Lighting confirmation			98 MHz, 60 dB (stereo) input. Failure of stereo indicator to light means that stereo broadcasts are not being received.
9	Stereo Separation adjustment	VR-1 1 kB (IF P.C Board)	More than 38 dB	98 MHz, 60 dB (stereo), R-ch input. Distortion factor must be less than 0.7%.
10	Stereo Separation adjustment		More than 38 dB	98 MHz, 60 dB (stereo), R-ch input. Distortion factor must be less than 0.7% and if it exceeds 0.7%, adjust the coil in STEP 1 within a half turn.
11	Confirmation of Tuning Meter indication		Tuning Meter: Center	

Chart-2

NOTE-1: In the event that the distortion factors in STEP 6 is not less than 3%, re-adjust Front End Trimmers TCR, TCA to obtain an average minimum distortion factor at 88, 98 and 108 MHz (same value at all three frequencies).

NOTE-2: Free running frequency of the PLL IC must be an exact 19.00 kHz.

V. AM TUNER SECTION ADJUSTMENTS

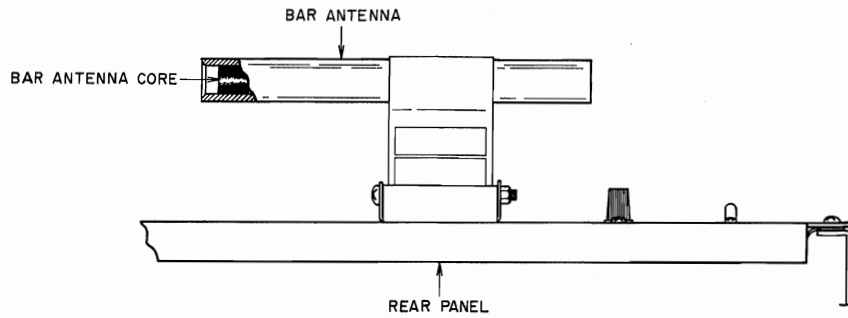


Fig. 6 Bar Antenna

Step	Adjustment Item	Adjustment Point	Result	Remarks
1	Low Range Frequency Coverage adjustment	T-3 (RED) (IF P.C Board)	error: Less than 2%	520 kHz optional input.
2	Sensitivity adjustment	Bar Antenna core T-2 (YLW, BLK) T-4 (WHT) (IF P.C Board)	Maximum sensitivity	520 kHz optional input.
3	High Range Frequency Coverage adjustment	AM TCo (Front End)	error: Less than 2%	1,400 kHz optional input.
4	Sensitivity adjustment	AM TCA (Front End)	Maximum sensitivity	1,400 kHz optional input.

Chart-3

NOTE: Repeat procedures in STEPS 1 through 4 two or three times.

VI. CD-4 ADJUSTMENTS

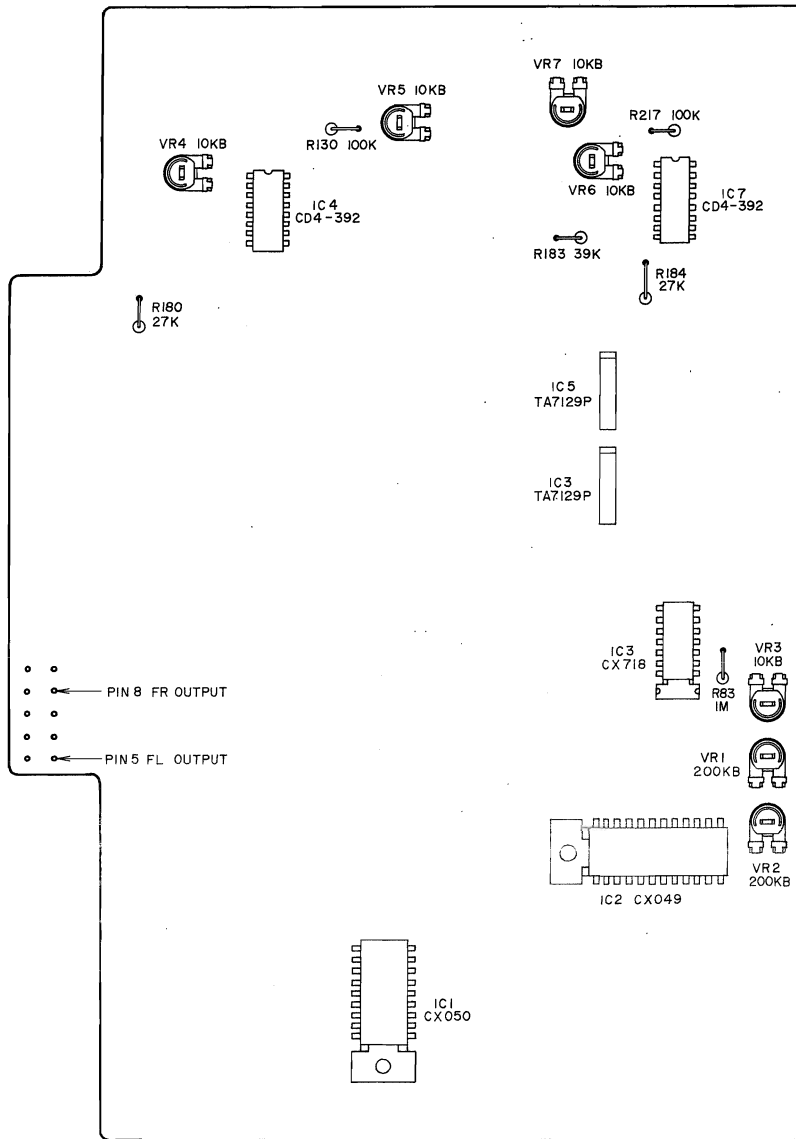


Fig. 7 MFC P.C Board AA-5401

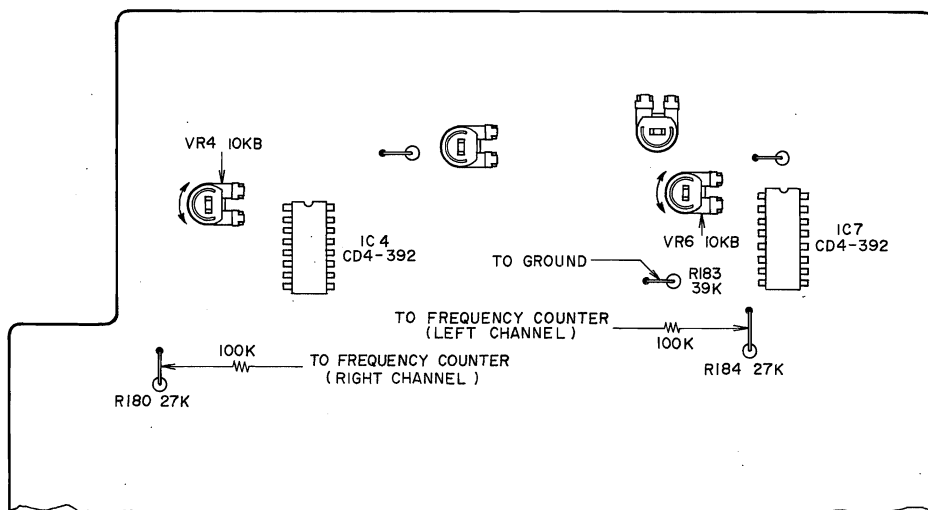


Fig. 8 VCO Adjustment (MFC P.C Board AA-5401)

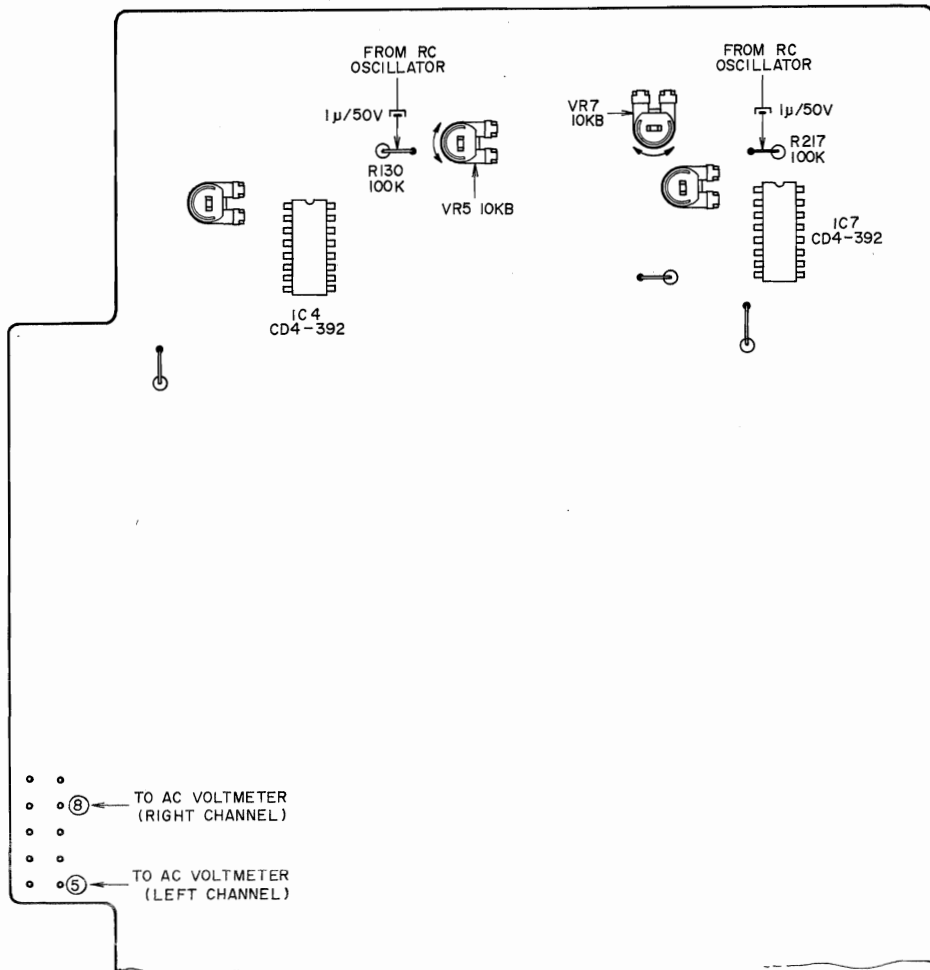


Fig. 9 ANRS Expander Adjustment (MFC P.C Board AA-5401)

1. Before adjustment, set switch positions as follows:

- 1) MODE switch to "DISC-4CH".
- 2) TAPE MONITOR switch to "SOURCE".
- 3) SELECTOR switch to "CD-4".

2. VCO Adjustments (Refer to Fig. 8)

- 1) Short phono inputs.
- 2) Ground resistor R183 39 k ohms. (Mute off)
- 3) Connect a Frequency Counter to R184 27 k ohms (left channel) and R180 27 k ohms (right channel) through a 100 k ohms resistor.
- 4) Adjust semi-fixed resistors VR 6 10 kB (left channel) and VR4 10 kB (right channel) to obtain a 30 kHz \pm 100 Hz VCO oscillating frequency.

3. ANRS Expander Adjustments (Refer to Fig. 9)

- 1) Short phono inputs.
- 2) Connect an RC Oscillator to resistors R217 100 k ohms (left channel) and R130 100 k ohms (right channel) through a 1 μ /50V capacitor and supply a 1 kHz -30 dBm signal.
- 3) Connect an AC Voltmeter to Pin-5 (left channel) and Pin-8 (right channel).
- 4) Adjust semi-fixed resistors VR7 10 kB (left channel) and VR5 10 kB (right channel) to obtain a -36 dBm indication on the AC Voltmeter.

VII. SQ ADJUSTMENTS

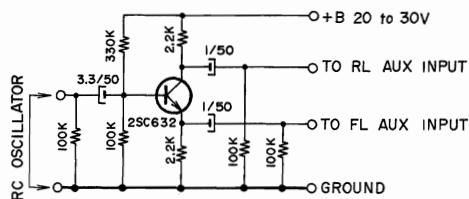


Fig. 10 Phase Inverter

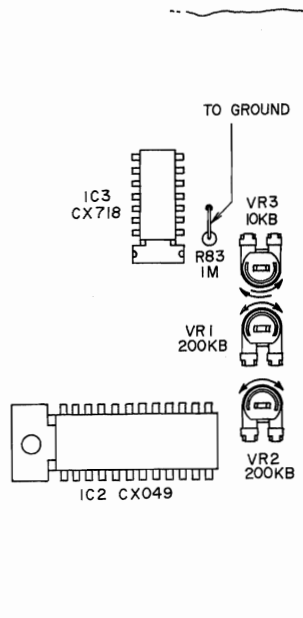


Fig. 11 SQ Adjustment (MFC P.C Board AA-5401)

1. Before adjustment, set switch positions

as follows:

- 1) MODE switch to "SQ LOGIC".
- 2) TAPE MONITOR switch to "SOURCE".
- 3) SELECTOR switch to "AUX".

2. Adjustments (Refer to Fig. 10 and Fig. 11)

- 1) Ground resistor R83 1M ohms (Pin (3) of IC3 CX-718).
- 2) As shown in Fig. 10, supply a 1 kHz -15 dBm signal through a Phase Inverter to AUX FL channel.
- 3) Connect an AC Voltmeter to Tape 2 FL and RL channel Rec terminals.

- 4) Turn semi-fixed resistor VR3 10 kB fully counter-clockwise. Then adjust output by turning VR3 clockwise to the point at which a 3 dB lower output than at fully counter-clockwise position is attained.
- 5) Disconnect resistor R83 1M ohms from ground.
- 6) Adjust semi-fixed resistor VR2 200 kB to obtain a 15 dB decrease in RL channel output as compared to FL channel output.
- 7) Supply output signal from Phase Inverter shown in Fig. 10 to AUX FL and RL channels respectively.
- 8) Adjust semi-fixed resistor VR1 200 kB to obtain a 13.5 dB decrease in FL channel output as compared to RL channel output.

VIII. DOLBY N.R. CIRCUIT ADJUSTMENTS

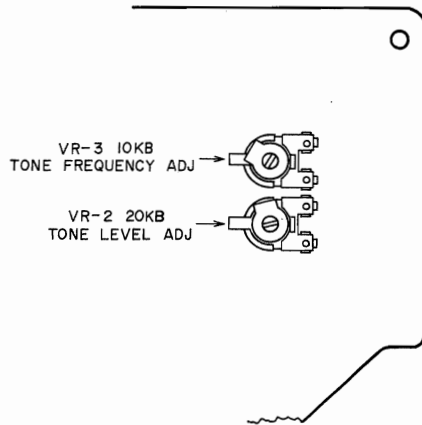


Fig. 12 Dolby N.R. P.C Board AA-5408

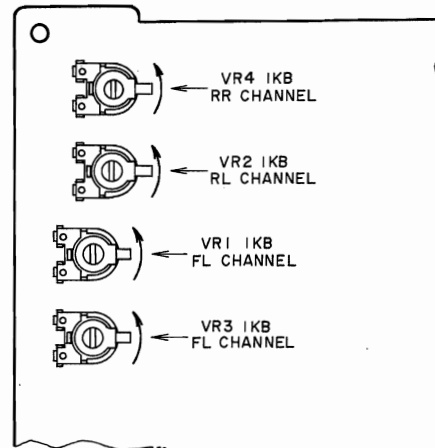


Fig. 13 Filter P.C Board A AA-5404

1. Before adjustment, set switch positions as follows:

- 1) MODE switch to "CAL TONE".
- 2) METER switch to "DOLBY LEVEL".

2. Dolby Tone Frequency Adjustment (Refer to Fig. 12)

Connect a Frequency Counter or Oscilloscope to the recording output terminal and adjust semi-fixed resistor VR3 10 kB to obtain a 400 Hz oscillation frequency.

3. Dolby Tone Level Adjustment (Refer to Fig. 12)

Adjust semi-fixed resistor VR2 20 kB to obtain a 150 mV on recording output terminal.

4. Level Meter Sensitivity Adjustment (Refer to Fig. 13)

Adjust semi-fixed resistors to obtain a "0" VU indication of level meters respectively.

FRONT LEFT CHANNEL	VR1	1 kB
FRONT RIGHT CHANNEL	VR3	1 kB
REAR LEFT CHANNEL	VR2	1 kB
REAR RIGHT CHANNEL	VR4	1 kB

IX. MAIN AMPLIFIER ADJUSTMENTS

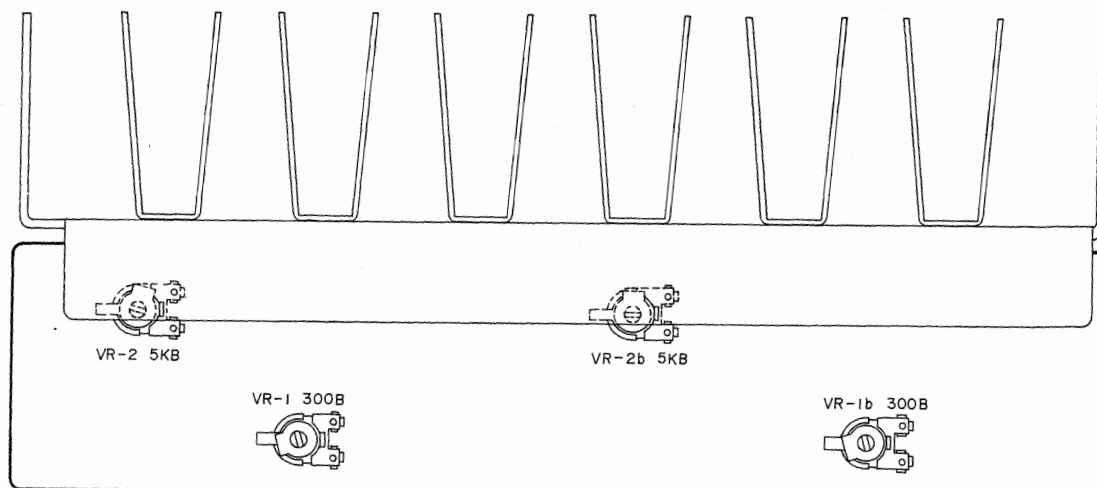


Fig. 14 Main Amp P.C Board AA-5417

1. Idling Current Adjustment

- 1) Disconnect the lead wires of terminals (6), (30) of Main amplifier P.C Board from power supply.
- 2) Connect a 50 to 100 mA scale ammeter between power supply and the Main amplifier P.C Board terminals.
- 3) Adjust Main amplifier P.C Board semi-fixed resistors VR2 5 kB (left channel), and VR2b (right channel) to obtain 40 mA on both channels.

2. Zero Electrical Potential Adjustment

- 1) Set voltmeter or tester to 1.5V DC range and connect between terminals (3), (16) of Main amplifier P.C Board and chassis.
- 2) Adjust semi-fixed resistors VR1 300B (left channel), and VR1b 300B (right channel) to obtain a Zero voltmeter indication.

X. TUNING CORD THREADING

Model AS-1080 and AS-1080DB (Also applicable to Model AS-1070) Difference is only Front End

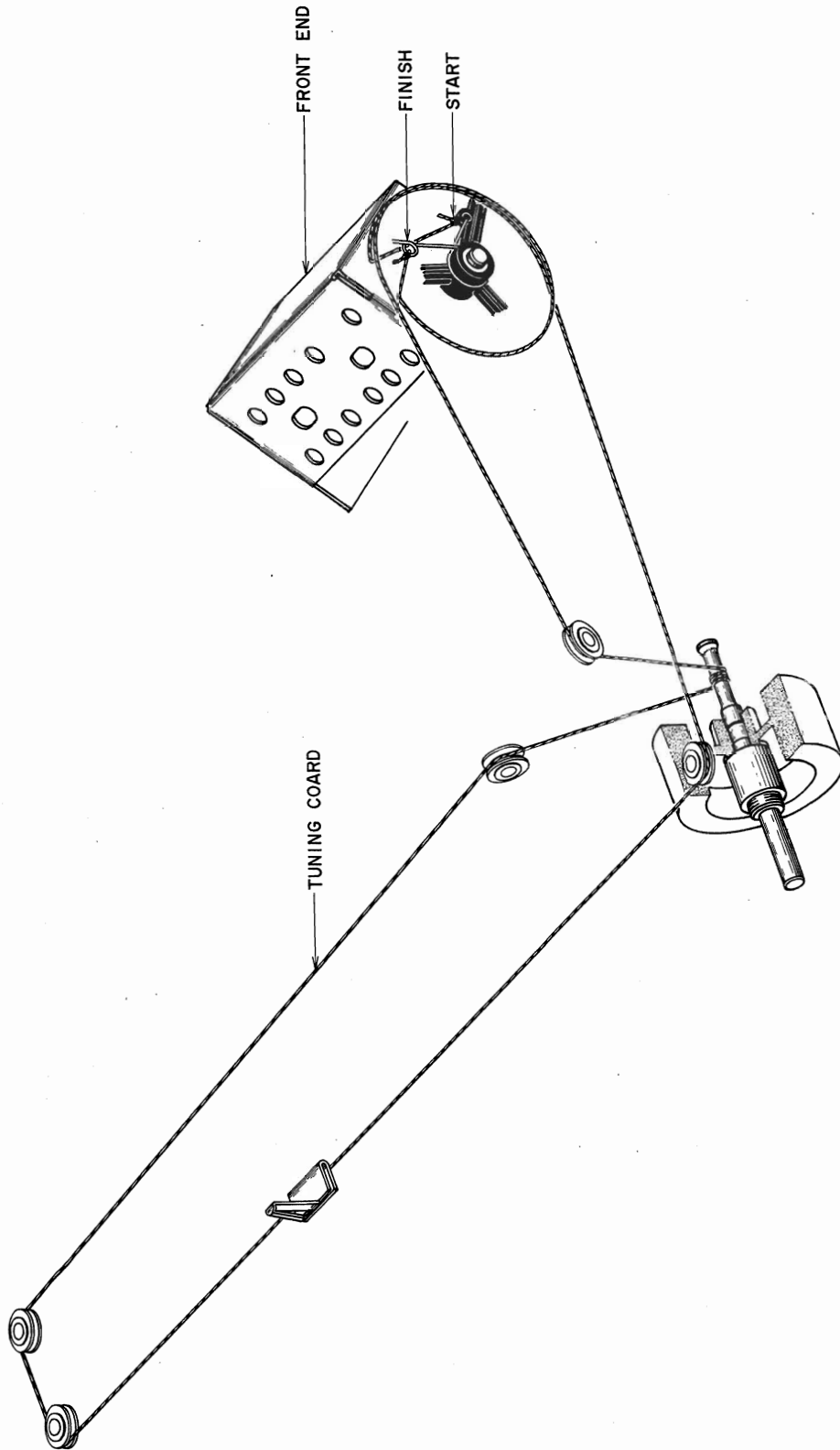


Fig. 15

XI. CLASSIFICATION OF VARIOUS P.C BOARDS

1. P.C BOARD INTERCHANGEABILITY CHART

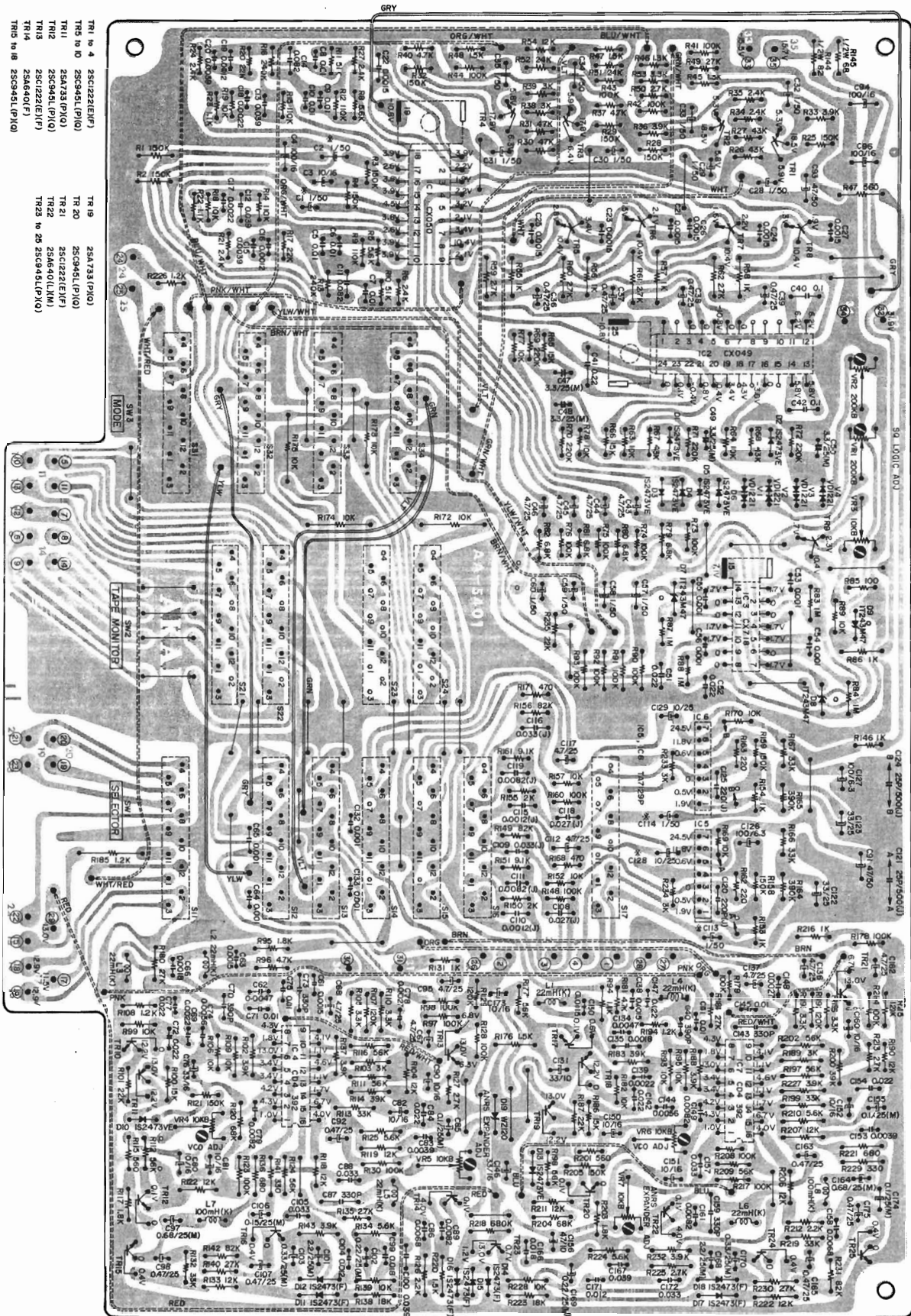
P.C Board	AS-1080	AS-1080DB	AS-1070
MFC P.C Board	AA-5401	AA-5401	AA-5401
Jack P.C Board	AA-5402	AA-5402	AA-5402
Tone Control P.C Board	AA-5403	AA-5403	AA-5403
Dolby N.R. P.C Board		AA-5408	
Filter P.C Board B	AA-5405		
Filter P.C Board A		AA-5404	
Filter P.C Board C			AA-5406
Main Amplifier P.C Board	AA-5417	AA-5417	*AA-5417
IF P.C Board	AA-5407	*AA-5407	*AA-5407
Regulator P.C Board	AA-5415	AA-5415	AA-5415
Rectifier P.C Board	AA-5410	AA-5410	AA-5410
LED P.C Board	AA-5413	*AA-5413	*AA-5413
Mute P.C Board	AA-5507	AA-5412	AA-5507

Chart-4

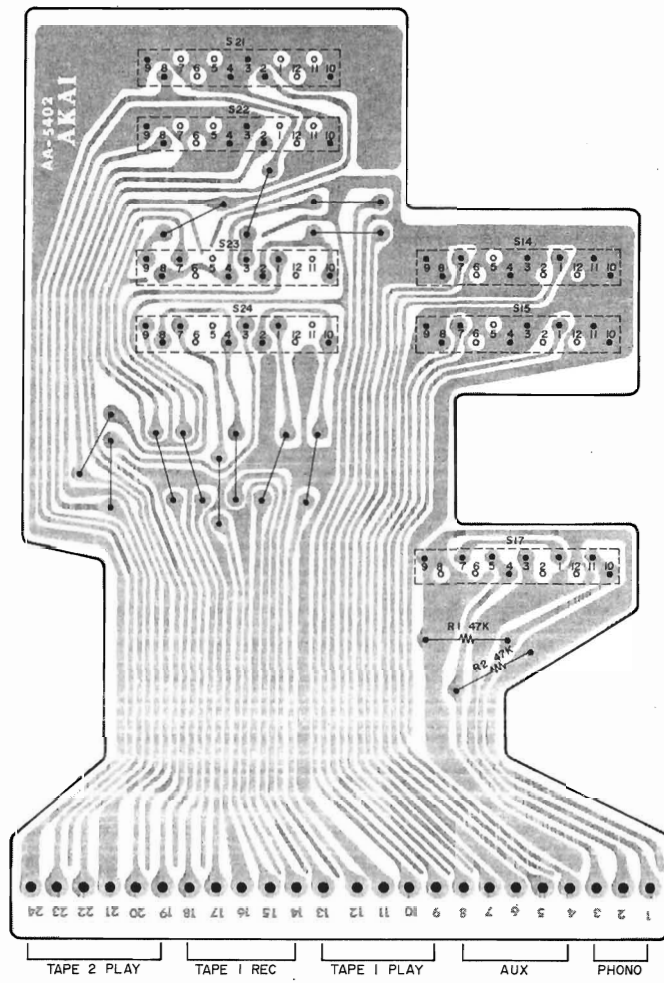
* Mark indicates non-interchangeability

2. COMPOSITION OF VARIOUS P.C BOARDS

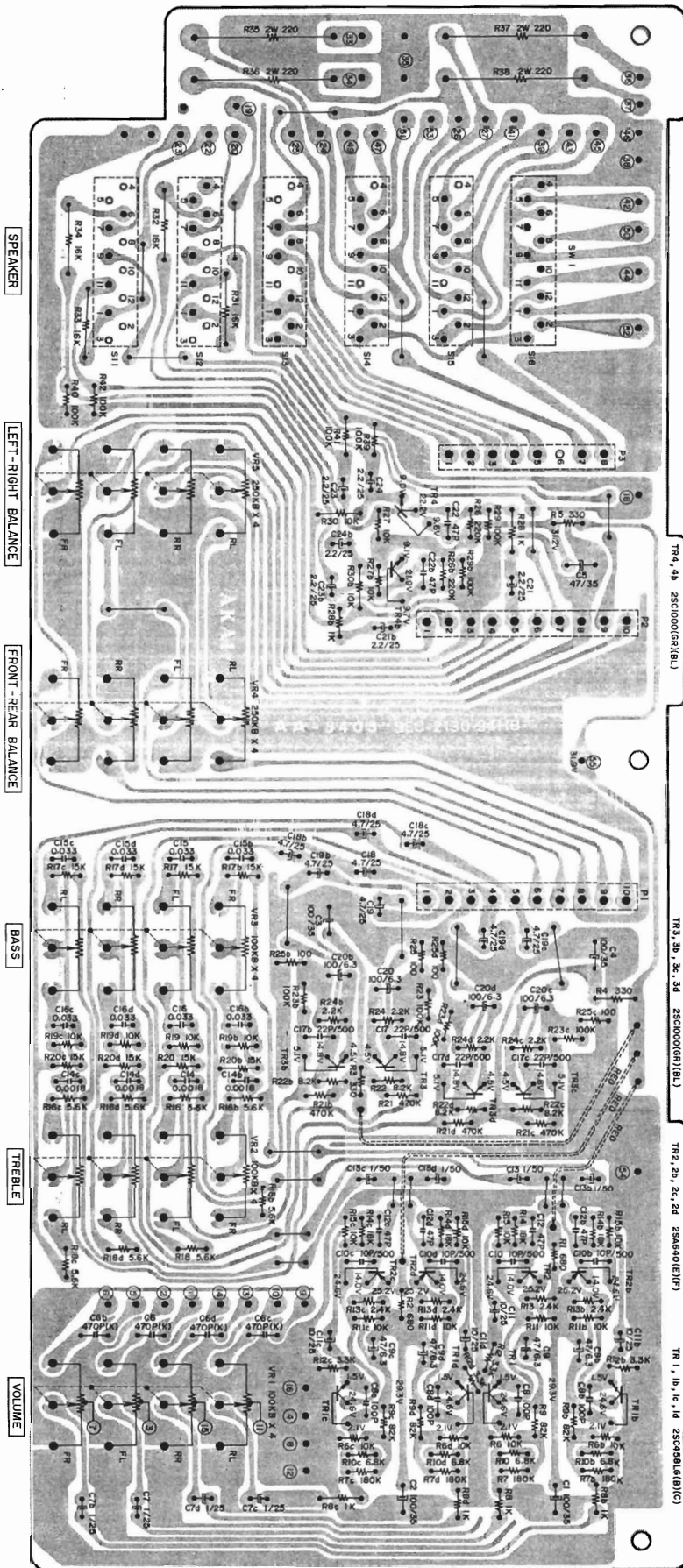
1) MFC P.C BOARD AA-5401



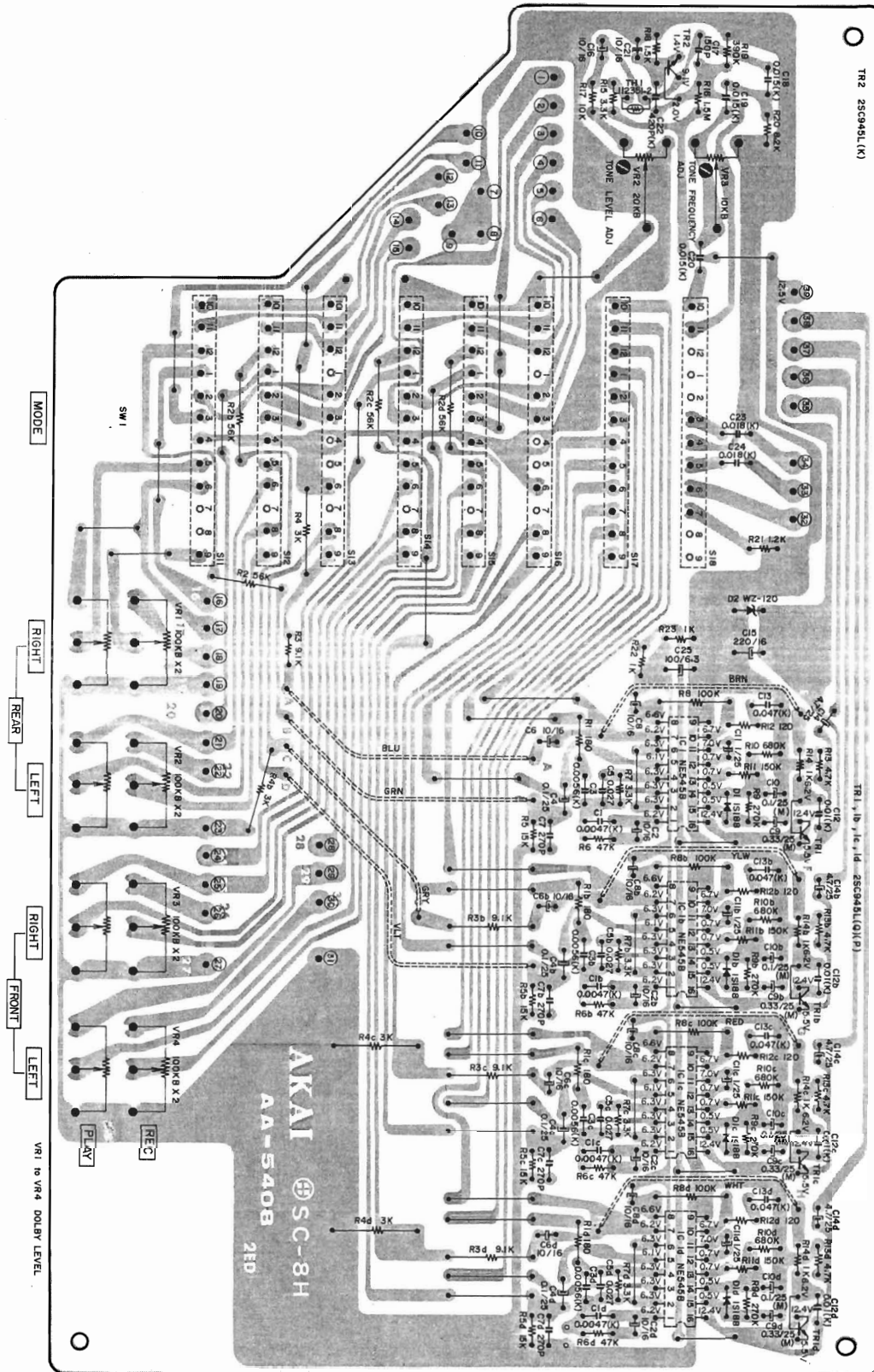
JACK P.C BOARD AA-5402



2) TONE CONTROL P.C BOARD AA-5403

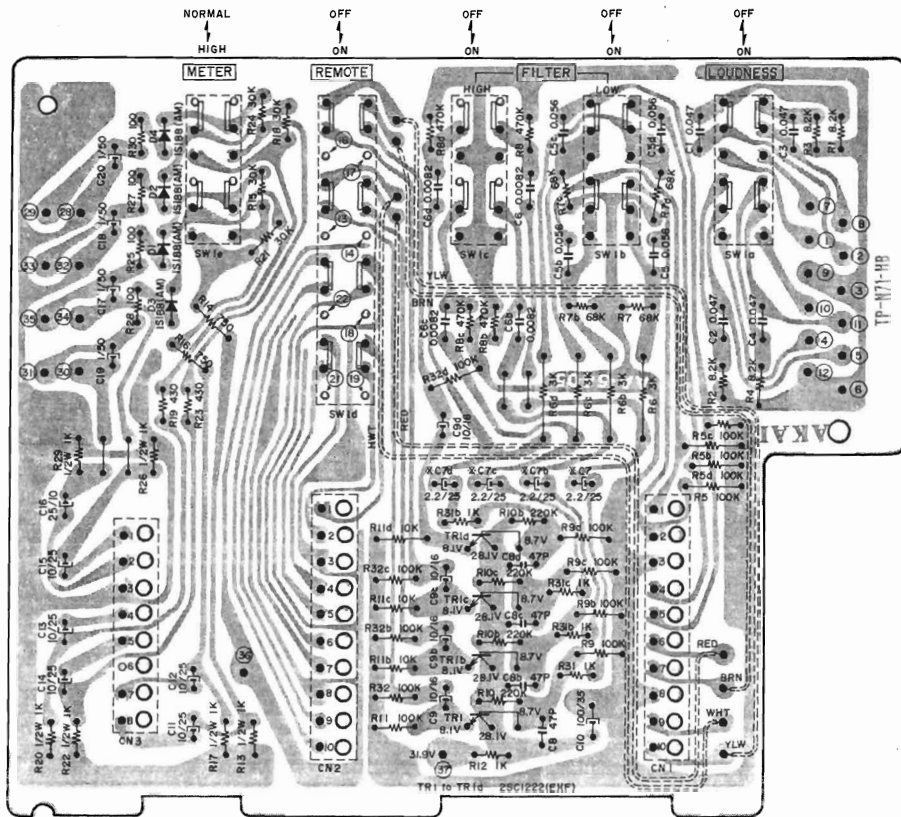


3) DOLBY N.R. P.C BOARD AA-5408 (AS-1080DB)

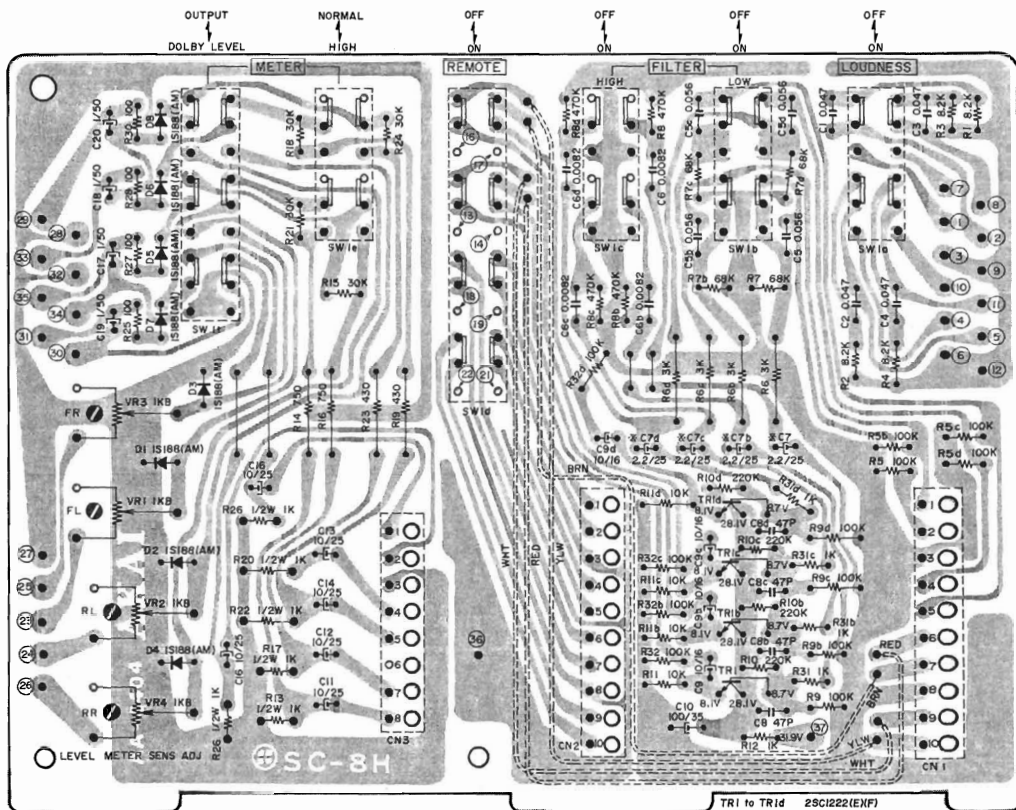


Noise reduction circuit made under license from Dolby Laboratories Inc.
 The word 'DOLBY' and the Double-D symbol are trademarks of Dolby Laboratories Inc.

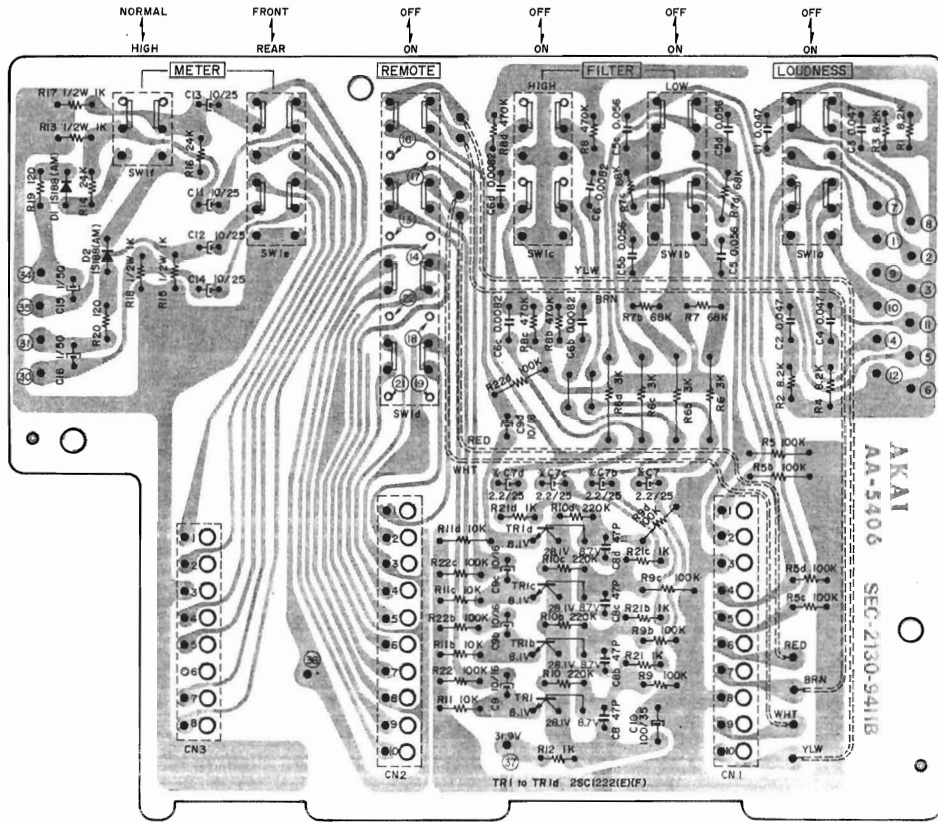
4) FILTER P.C BOARD B AA-5405 (AS-1080)



FILTER P.C BOARD A AA-5404 (AS-1080DB)

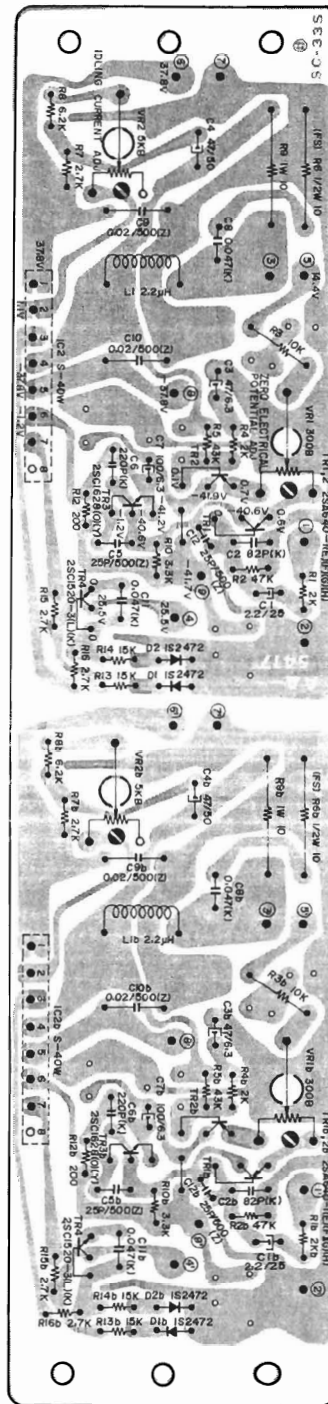
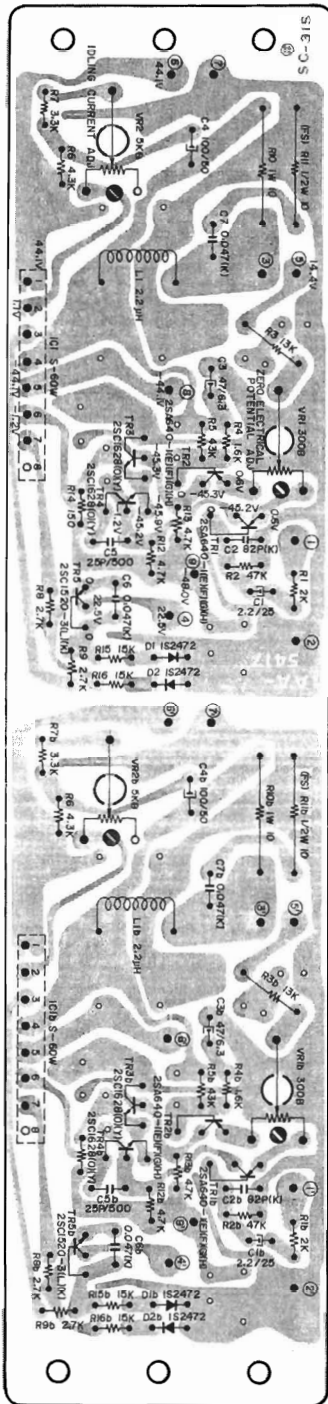


FILTER P.C BOARD C AA-5406 (AS-1070)

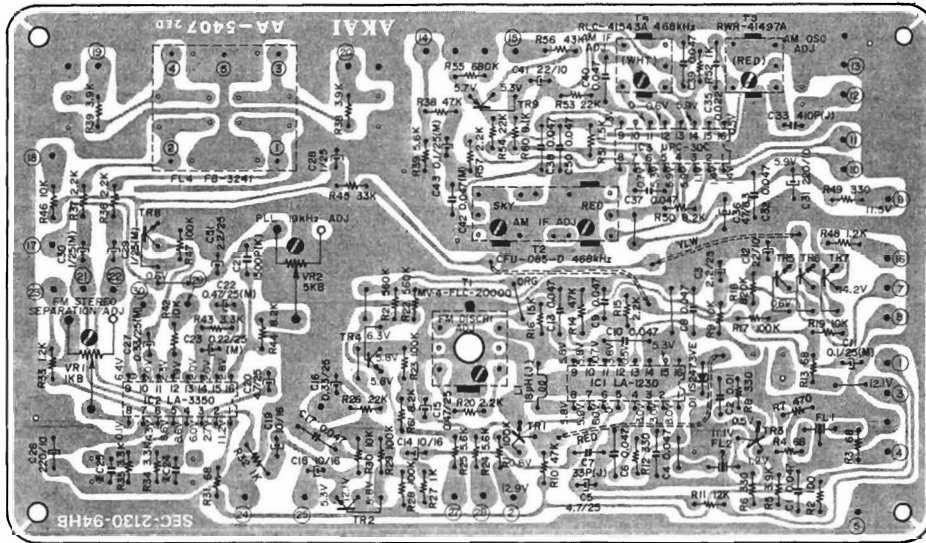


5) MAIN AMPLIFIER P.C BOARD AA-5417
(AS-1080, AS-1080DB)

6) MAIN AMPLIFIER P.C BOARD AA-5417
(AS-1070)



7) IF P.C BOARD AA-5407 (AS-1080, AS-1080DB)

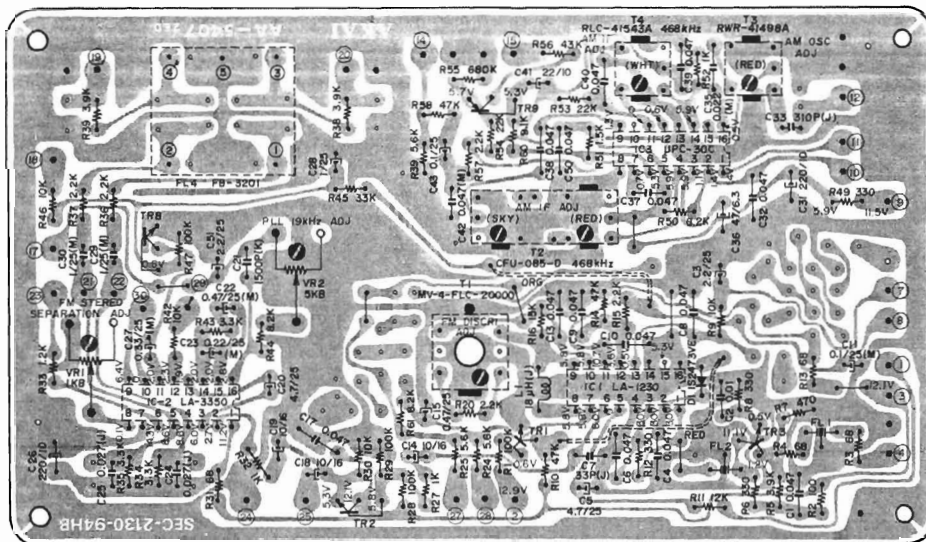


MODEL	% C24, C25
AS-1080	0.027(J)
AS-1080DB	0.012(J)

TR1, 4 to 8 2SC945L(P)(Q)
 TR2,3 2SC930(E)(F)
 TR9 2SA733(Q)(R)

FL1, 2 SFE-10.7MA-8-Z

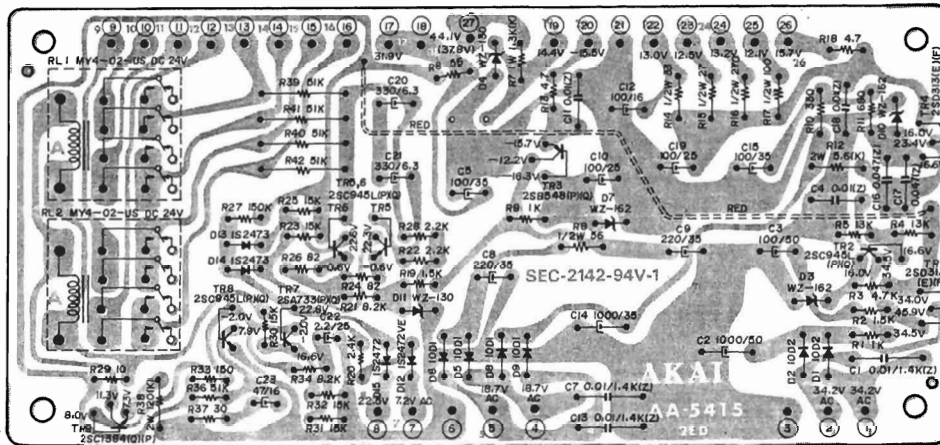
IF P.C BOARD AA-5407 (AS-1070)



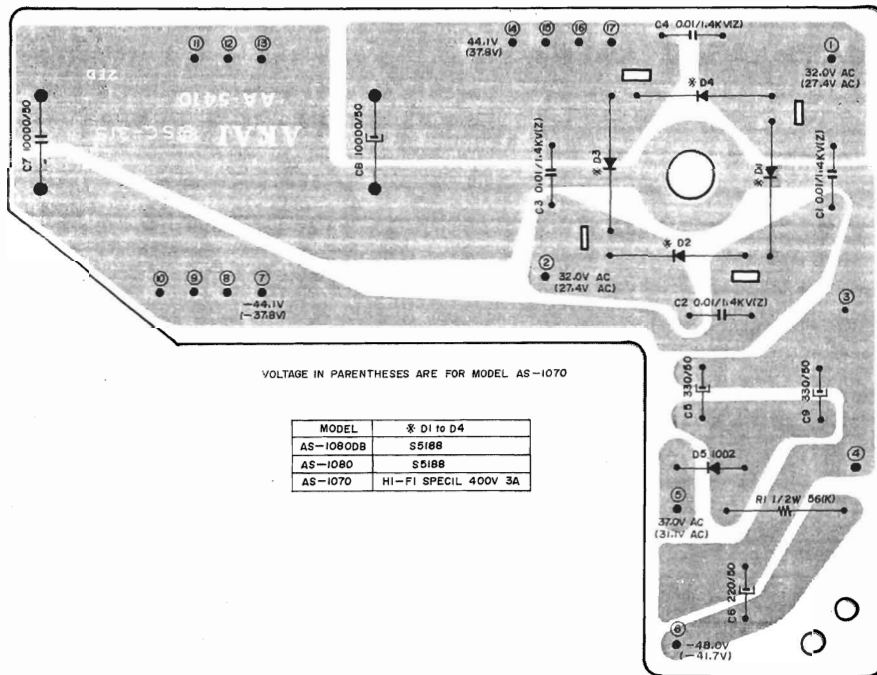
TR1, 8 2SC945L(P)(Q)
 TR2,3 2SC930(E)(F)
 TR9 2SA733(Q)(R)

FL1, 2 SFE-10.7MA-8-Z

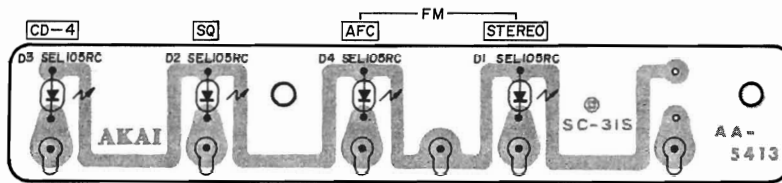
8) REGULATOR P.C BOARD AA-5415



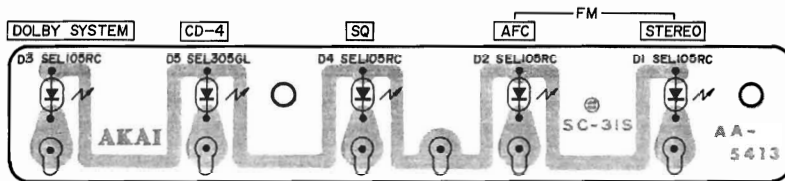
9) RECTIFIER P.C BOARD AA-5410



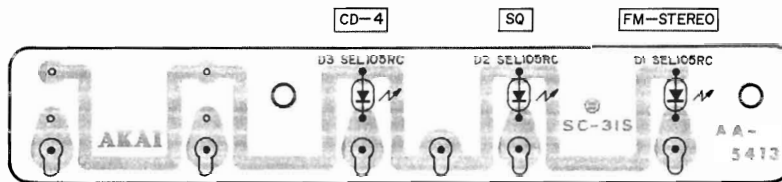
10) LED P.C BOARD AA-5413 (AS-1080)



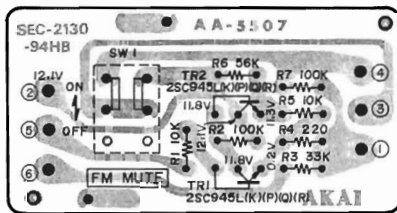
LED P.C BOARD AA-5413 (AS-1080DB)



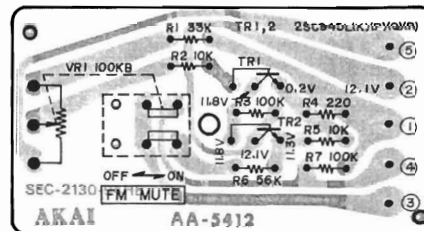
LED P.C BOARD AA-5413 (AS-1070)



11) MUTE P.C BOARD AA-5507
(AS-1080, AS-1070)



12) MUTE P.C BOARD AA-5412 (AS-1080DB)



SECTION 2

PARTS LIST

TABLE OF CONTENTS

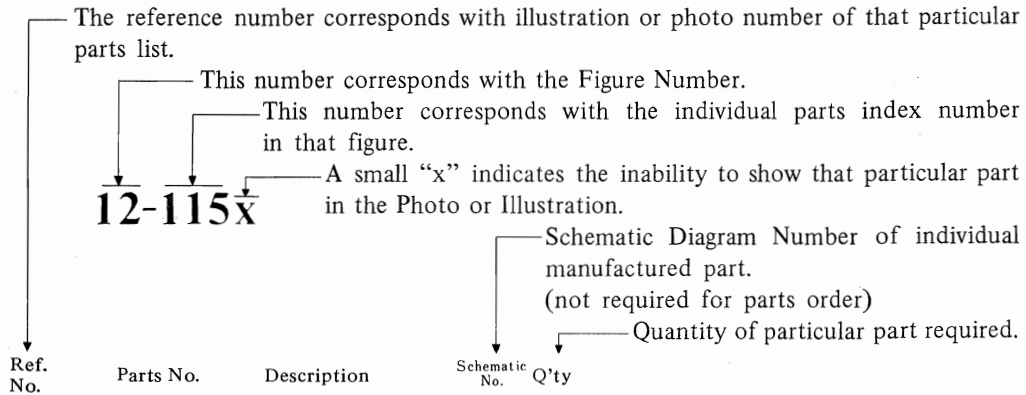
BASIC PARTS LIST	31
1. MULTI FUNCTION P.C BOARD (AA-5401) BLOCK	32
2. TONE P.C BOARD (AA-5403) BLOCK	32
3. DOLBY P.C BOARD (AA-5408) BLOCK	32
4. FILTER P.C BOARD (AA-5404, 5405, 5406) BLOCK	32
5. MAIN AMP P.C BOARD (AA-5417) BLOCK	33
6. MAIN AMP P.C BOARD (AA-5417) BLOCK	33
7. IF P.C BOARD (AA-5407) BLOCK	33
8. REGULATOR P.C BOARD (AA-5415) BLOCK	33
9. RECTIFIER P.C BOARD (AA-5410) BLOCK	33
10. LED P.C BOARD (AA-5413) BLOCK	34
11. MUTE P.C BOARD (AA-5507) BLOCK	34
12. MUTE P.C BOARD (AA-5412) BLOCK	34
13. ASSEMBLY BLOCK	34
14. FINAL ASSEMBLY BLOCK	37
15. LIST OF INTERCHANGEABLE SEMICONDUCTORS	38
INDEX	40

Some of the parts in this parts list are only available as a complete assembly, and can not be supplied as individual parts.

Resistor and Capacitor which is not listed in this parts list, please refer to Common Parts List.

HOW TO USE THIS PARTS LIST

1. This parts list is compiled by various individual blocks based on assembly process.
2. When ordering parts, please describe parts number, serial number, and model number in detail.
3. How to read List



FLYWHEEL BLOCK #13

12-115x	800425	Flywheel Block Assy. Comp.	RDG #13	1
12-116	244506	Flywheel Only	RD-233	1
12-117x	244754	Felt, Flywheel	RD-275	1
12-118	251324	Main Metal Case	RD-236	1
12-119	253080	Main Metal	RD-237	1

4. The symbol numbers shown on the P.C. Board list can be matched with the Composite Views of Components of the Schematic Diagram or Service Manual.
5. Please utilize separate "Common List for Service Parts" for Resistor Parts orders.
6. The shape of the parts and parts name, etc. can be confirmed by comparing them with the parts shown on the Electrical Parts Table of P.C. Board.
7. Both the kind of part and installation position can be determined by the Parts Number. To determine where a parts number is listed, utilize Parts Index at end of Parts List.
It is necessary first of all to find the Parts Number. This can be accomplished by using the Reference Number listed at right of parts number in the Parts Index. (meaning of ref. no. outlined in Item 3 above).
8. Utilize separate "Price List for Parts" to determine unit price. The most simple method of finding parts Price is to utilize the reference number.

BASIC PARTS LIST

Parts Nomenclature	Parts No.	Parts Nomenclature	Parts No.
MFC P.C Board Comp.	BA680815	Power Trans. AS-1080T-5	BT668248
Tone P.C Board Comp.	BA657742	Power Trans. AS-1070T-5	BT656550
Tone P.C Board Comp. (1070)	BA657731	Front End FL329U	TA656583
Dolby P.C Board Comp. (1080DB)	BA657663	Front End FB-112U-12 (1070)	TA562735
Filter P.C Board Comp.	BA657685	Slide Volume VJ-308-45N25D2 100K	EV656616
Filter P.C Board Comp. (1080DB)	BA657696	Flywheel Block Comp.	BF671038
Filter P.C Board Comp. (1070)	BA657674	Scale Plate	TA652623
Main Amp P.C Board Comp.	BA657876	Scale Plate B (1070)	TA665098
Main Amp P.C Board Comp. (1070)	BA657865	Pointer	TA652757
IF P.C Board Comp.	BA657764	Front Panel B	SP656425
IF P.C Board Comp. (1080DB)	BA657775	Front Panel A (1080DB)	SP656414
IF P.C Board Comp. (1070)	BA657753	Front Panel C (1070)	SP656436
Regulator P.C Board Comp.	BA680758	Front Glass	SZ652285
Rectifier P.C Board Comp.	BA680771	Bottom Plate	SP652331
Rectifier P.C Board Comp. (1070)	BA680760	Cabinet	BC652634
LED P.C Board Comp.	BA657628	Tuning Knob (Large)	SK647967
LED P.C Board Comp. (1080DB)	BA657630	Push Button (Square)	SB679860
LED P.C Board Comp. (1070)	BA657617	Single Knob	SK646817
Mute P.C Board Comp.	BA657707	Double Knob (Upper)	SK644670
Mute P.C Board Comp. (1080DB)	BA657720	Double Knob (Lower)	SK645208
Lamp, Lead Type 8V 190mA	EL668362	Selector Knob	SK646830
Rear Panel 1	BZ657887	Single Knob (Small)	SK647548
Bar Antenna	TA656313	4 Ch. Small Double Knob (Upper) (1080DB)	SK677057
Bar Antenna (1070)	TA656324	4 Ch. Small Double Knob (Lower) (1080DB)	SK677046
Level Meter T-85-1061	EM650902	I.C S-60W	EI656256
Tuning Meter T-85-1060	EM650226	I.C S-40W (1070)	EI656245

1. MULTI FUNCTION P.C BOARD (AA-5401) BLOCK

Symbol No.	Parts No.	Description	Q'ty
1-1	BA657808	Multi Function P.C Board Comp. (AA-5401)	1
1-2	BA670522	Multi Function P.C Board Comp. (AA-5401) (CSA)	1
1-3	BA680815	Multi Function P.C Board (AA-5401) (CEE)	1
1-IC1	E1656976	IC CX-050	1
1-IC2	E1656965	IC CX-049	1
1-IC3	E1656987	IC CX-718	1
1-IC4	E1656958	IC CD4-392	1
1-IC5,6	E1657000	IC TA7129P	2
1-IC7	E1656958	IC CD4-392	1
1-TR1to4	ET459810	Transistor 2SC1222(E) (F)	4
1-TR5to10	ET639437	Transistor 2SC945L (Q) (P)	6
1-TR11	ET554657	Transistor 2SA733 (P) (Q)	1
1-TR12	ET639437	Transistor 2SC945L (Q) (P)	1
1-TR13	ET459810	Transistor 2SC1222 (E) (F)	1
1-TR14	ET665842	Transistor 2SA640 (F)	1
1-TR15to18	ET639437	Transistor 2SC945L (Q) (P)	4
1-TR19	ET554657	Transistor 2SA733 (P) (Q)	1
1-TR20	ET639437	Transistor 2SC945L (Q) (P)	1
1-TR21	ET459810	Transistor 2SC1222 (E) (F)	1
1-TR22	ET460912	Transistor 2SA640 (L) (M)	1
1-TR23to25	ET639437	Transistor 2SC945L (Q) (P)	3
1-D1to6	ED560913	Silicon Diode 1S2473VE	6
1-D7to9	ED657011	Silicon Diode 1T243M-47	3
1-D10	ED560913	Silicon Diode 1S2473 VE	1
1-D11,12	ED657022	Silicon Diode 1S2473F	2
1-D13	ED560913	Silicon Diode 1S2473 VE	1
1-D14to18	ED657022	Silicon Diode 1S2473F	5
1-D19	ED510772	Zener Diode WZ-120	1
1-L1,2	E0656943	Inductor RCP-095 22MH(K)	2
1-L3,4	E0656932	Inductor RC875 22MH(K)	2
1-L5,6	E0656943	Inductor RCP-095 22MH(K)	2
1-L7,8	E0656954	Inudctor RCP-095 100MH(J)	2
1-VR1,2	EV465017	Semi-fixed/Vol. V8K4-1 200 k Ω	2
1-VR3to7	EV520806	Semi-fixed/Vol. V8K4-1 10 k Ω	5
1-V1to4	ED657033	Verister VD-1221	4
1-SW1	ES657077	Rotary SW. SRA-7245	1
1-SW2	ES657088	Rotary SW. SRA-4165	1
1-SW3	ES657050	Rotary SW. SRA-495	1
1-4	BA657810	Jack P.C Board Comp. (AA-5402)	1

Capacitor, Vertical Type

1-C85	EC523282	Solid Aluminum 0.1 μ F(M) 25WV	1
1-C97	EC657055	Solid Aluminum 0.68 μ F(M) 25WV	1
1-C101	EC662126	Solid Aluminum 2.2 μ F(M) 25WV	1
1-C102	EC522167	Solid Aluminum 0.22 μ F(M) 25WV	1
1-C103	EC604440	Solid Aluminum 0.33 μ F(M) 25WV	1
1-C106	EC657066	Solid Aluminum 0.15 μ F(M) 25WV	1
1-C140	EC516756	Styrol 390PF(K) 50WV	1
1-C155	EC523282	Solid Aluminum 0.1 μ F(M) 25WV	1
1-C164	EC657055	Solid Aluminum 0.68 μ F(M) 25WV	1
1-C168	EC662128	Solid Aluminum 2.2 μ F(M) 25WV	1
1-C169	EC522167	Solid Aluminum 0.22 μ F(M) 25WV	1
1-C170	EC604440	Solid Aluminum 0.33 μ F(M) 25WV	1
1-C174	EC657066	Solid Aluminum 0.15 μ F(M) 25WV	1

2. TONE P.C BOARD (AA-5403) BLOCK

Symbol No.	Parts No.	Description	Q'ty
2-1	BA657742	Tone P.C Board Comp. (AA-5403) (1080/DB)	1
2-2	BA657731	Tone P.C Board Comp. (AA-5403) (1070)	1
2-3	BA670511	Tone P.C Board Comp. (AA-5403) (1080/DB) (CSA)	1
2-4	BA670500	Tone P.C Board Comp. (AA-5403) (1070) (CSA)	1

Symbol No.	Parts No.	Description	Q'ty
2-TR1	ET234843	Transistor 2SC458LG (B) (C)	4
2-TR2	ET655615	Transistor 2SA640 (E) (F)	4
2-TR3,4	ET622181	Transistor 2SC1000 (BL) (GR)	6
2-SW1	ES656831	Rotary SW. SRA-6186	1
2-VR1	EV656842	Co-axial 4-throw/Vol. V24L5GPHN 3BM 100kx4	1
2-VR2,3	EV656876	2-axial 4-throw/Vol. V24L5GPHN 1 k Ω 100kx4	2
2-VR2,3	EV656864	Co-axial 4-throw/Vol. V24L5GPHN 1 k Ω 100kx4 (1070)	2
2-VR4,5	EV656853	Co-axial 4-throw/Vol. V24L5GPHN 1Z2 50kx4	2
2-P1,2	EJ656886	Connector Pin 10P 5095-10D	2
2-P3	EJ656897	Connector Pin 8P 5095-8D	1

3. DOLBY P.C BOARD (AA-5408) BLOCK

Symbol No.	Parts No.	Description	Q'ty
3-1	BA657663	Dolby P.C Board Comp. (AA-5408) (1080DB)	1
3-IC1	E1605013	IC NE545B	4
3-TR1	ET639437	Transistor 2SC945L (Q) (P)	4
3-TR2	ET658102	Transistor 2SC945L (K)	1
3-D1	ED562386	Germanium Diode 1S188AM	4
3-D2	ED510772	Zener Diode WL-120	1
3-SW1	ES658884	Rotary SW. SR26N 8-23-5 40S	1
3-VR1	EV658895	Double Vol. V24L5DPHN 100 k Ω x2	4
3-VR2	EV560136	Semi-fixed/Vol. V10K8-4-2 20 k Ω	1
3-VR3	EV604438	Semi-fixed/Vol. V10K8-4-2 10 k Ω	1
3-TH1	ED485370	Thermister 112351-2	1

Capacitor, Vertical Type

3-C4	EC523282	Solid Aluminum 0.1 μ F(M) 25WV	4
3-C9	EC604440	Solid Aluminum 0.33 μ F(M) 25WV	4
3-C10	EC523282	Solid Aluminum 0.1 μ F(M) 25WV	4
3-C22	EC516767	Styrol 470PF (K) 50WV	1

4. FILTER P.C BOARD (AA-5404, 5405, 5406) BLOCK

Symbol No.	Parts No.	Description	Q'ty
4-1	BA657685	Filter P.C Board Comp. (AA-5405)	1
4-2	BA657696	Filter P.C Board Comp. (AA-5404) (1080DB)	1
4-3	BA657674	Filter P.C Board Comp. (AA-5406) (1070)	1
4-TR1	ET459810	Transistor 2SC1222 (E) (F)	4
4-SW1	ES656730	Push SW. 5FT-0001 FF6620	1
4-SW1	ES656741	Push SW. 6FT-0002 FF6620 (1080DB)	1
4-SW1	ES656728	Push SW. 6FT-0001 FF6620 (1070)	1
4-D1to4	ED562386	Germanium Diode 1S188AM	4
4-D1to8	ED562386	Germanium Diode 1S188AM (1080DB)	8
4-D1,2	ED562386	Germanium Diode 1S188AM (1070)	2
4-VR1to4	EV484863	Semi-fixed/Vol. V10K8-4-2 1 k Ω (metalized Film) (1080DB)	4
4-J1,2	EJ656785	Jack 10P 2145-10B	2
4-J3	EJ656796	Jack 8P 2145-8B	1

When ordering parts, Please describe Parts Number, Serial Number, and Model Number in detail.

5. MAIN AMP P.C BOARD (AA-5417) BLOCK

Symbol No.	Parts No.	Description	Q'ty
5-1	BA657876	Main Amp P.C Board Comp. (AA-5417) (1080/DB)	1
5-TR1,2	ET661836	Transistor 2SA640-1 (P) (Q)	4
5-TR3,4	ET623035	Transistor 2SC1628 (O) (Y)	4
5-TR5	ET656267	Transistor 2SC1520(3)	2
5-D1,2	ED656278	Silicon Diode 1S2472	4
5-VR1	EV604484	Semi-fixed/Vol. V10K8-4-2 B300 ohms	2
5-VR2	EV499364	Semi-fixed/Vol. V10K8-4-2 5 kB	2
5-L1	E0650823	Phase Equalizer Coil 2.2μH (K)	2
5-R10	ER658124	Metal Oxide Film/R. 1W 10 ohms (J)	2

6. MAIN AMP P.C BOARD (AA-5417) BLOCK

Symbol No.	Parts No.	Description	Q'ty
6-1	BA657865	Main Amp P.C Board Comp. (AA-5417) (1070)	1
6-TR1,2	ET661836	Transistor 2SA640-1 (P) (Q)	4
6-TR3	ET623035	Transistor 2SC1628 (O) (Y)	2
6-TR4	ET656267	Transistor 2SC1520-3 (L) (K)	2
6-D1,2	ED656278	Silicon Diode 1S2472	4
6-VR1	EV604484	Semi-fixed/Vol. V10K8-4-2 300 ohms (B)	2
6-VR2	EV499364	Semi-fixed/Vol. V10K8-4-2 5 kB	2
6-L1	ED650823	Phase Equalizer Coil 2.2μH (K)	2
6-R6	ER658124	Metal Oxide Film/R. 1W 10 ohms (J)	2

7. IF P.C BOARD (AA-5407) BLOCK

Symbol No.	Parts No.	Description	Q'ty
7-1	BA657764	IF P.C Board Comp. (AA-5407)	1
7-2	BA657775	IF P.C Board Comp. (AA-5407) (1080DB)	1
7-3	BA657753	IF P.C Board Comp. (AA-5407) (1070)	1
7-IC1	E1650586	IC LA-1230	1
7-IC2	E1650597	IC LA-3350A	1
7-IC3	E1650362	IC MPC-30C	1
7-TR1	ET639437	Transistor 2SC945L (Q) (P)	1
7-TR2,3	ET618873	Transistor 2SC930 (E) (F)	2
7-TR4to8	ET639437	Transistor 2SC945L (Q) (P) (1080/DB)	5
7-TR8	ET639437	Transistor 2SC945L (Q) (P) (1070)	1
7-TR9	ET557965	Transistor 2SA733 (Q) (R)	1
7-D1	ED560913	Silicon Diode 1S2473VE	1
7-T1	E0650608	Discri Coil MV4-FLC-20000	1
7-T2	E0650384	AM-IF Trans. CFU-085-D 468 kHz	1
7-T3	E0645838	OSC. Coil RWR41497A (1080/DB)	1
7-T3	E0650395	OSC. Coil RWR41498A (1070)	1
7-T4	E0650373	AM-IF Trans. RLC-41543A 468 kHz	1
7-FL1to3	ER650430	Ceramic Filter SFE-10.7 MA-8-Z (1080/DB)	3
7-FL1,2	ER650430	Ceramic Filter SFE-10.7MA-8-Z (1070)	2
7-FL4	ER656908	Block Filter FB3201	1

Symbol No.	Parts No.	Description	Q'ty
7-L1	E0560610	Inductor 144LZ 18μH (J)	1
7-VR1	EV484863	Semi-fixed/Vol. V10K8-4-2 1 kB (Metalized Film)	1
7-VR2	EV499364	Semi-fixed/Vol. V10K8-4-2 5 kB	1
Capacitor, Vertical Type			
7-C11	EC523282	Solid Aluminum 0.1μF(M) 25WV	1
7-C16	EC604440	Solid Aluminum 0.33μF(M) 25WV	1
7-C21	EC666483	Styrol 1500PF(K) 50WV	1
7-C22	EC621257	Solid Aluminum 0.47μF(M) 25WV	1
7-C23	EC522167	Solid Aluminum 0.22μF(M) 25WV	1
7-C27	EC604440	Solid Aluminum 0.33μF(M) 25WV	1
7-C29,30	EC522516	Tantalum 1μF(M) 25WV (DTS Type)	2
7-C33	EC658001	Styrol 410PF(J) 50WV (1080/DB)	1
7-C33	EC650406	Styrol 310PF(J) 50WV (1070)	1
7-C43	EC523282	Solid Aluminum 0.1μF(M) 25WV	1

8. REGULATOR P.C BOARD (AA-5415) BLOCK

Symbol No.	Parts No.	Description	Q'ty
8-1	BA680758	Regulator P.C Board Comp. (AA-5415)	1
8-TR1	ET452531	Transistor 2SD313 (E) (F)	1
8-TR2	ET639437	Transistor 2SC945L (Q) (P)	1
8-TR3	ET656910	Transistor 2SB548 (P) (Q)	1
8-TR4	ET452531	Transistor 2SD313 (E) (F)	1
8-TR5,6	ET639437	Transistor 2SC945L (Q) (P)	2
8-TR7	ET554657	Transistor 2SA733 (P) (Q)	1
8-TR8	ET639437	Transistor 2SC945L (Q) (P)	1
8-TR9	ET658067	Transistor 2SC1384 (Q) (P)	1
8-D1,2	ED224548	Silicon Diode 10D2	2
8-D3	ED494627	Zener Diode WZ162	1
8-D4	ED539976	Zener Diode WZ-130	1
8-D5,6	ED224526	Silicon Diode 10D1	2
8-D7	ED494627	Zener Diode WZ-162	1
8-D8,9	ED224526	Silicon Diode 10D1	2
8-D10	ED494627	Zener Diode WZ-162	2
8-D11	ED539976	Zener Diode WZ-130	1
8-D12to14	ED560913	Silicon Diode 1S2473VE	3
8-D15	ED656278	Silicon Diode 1S2472	1
8-RL1,2	EP638763	Relay MY4-02-US DC24V	2
8-2	ZW632226	Insulator Washer Bush M	2
8-3	ZS379350	Screw, pan head 3x6	2
8-4	ZS447840	Trapping Screw #2 3x8 (BR)	2
8-R12	ER656921	Metal Oxide Film/R. 2W 5.6 ohms (K)	1
8-R38	ER658091	Metal Oxide Film/R. 2W 120 ohms (K)	1

9. RECTIFIER P.C BOARD (AA-5410) BLOCK

Symbol No.	Parts No.	Description	Q'ty
9-1	BA680771	Rectifier P.C Board Comp. (AA-5410)	1
9-2	BA680760	Rectifier P.C Board Comp. (AA-5410) (1070)	1
9-D1to4	ED656234	Silicon Diode S5188	1
9-D1to4	ED558033	Silicon Diode HIFI SPECIAL 400V 3A (1070)	4
9-D5	ED224548	Silicon Diode 10D2	1

When ordering parts, Please describe Parts Number, Serial Number, and Model Number in detail.

10. LED P.C BOARD (AA-5413) BLOCK

Symbol No.	Parts No.	Description	Q'ty
10-1	BA657628	LED P.C Board Comp. (AA-5413)	1
10-2	BA657630	LED P.C Board Comp. (AA-5413) (1080DB)	1
10-3	BA657617	LED P.C Board Comp. (AA-5413) (1070)	1
10-D1to4	ED694091	Luminous Diode SEL-105RC (1080/DB)	4
10-D1	ED694091	Luminous Diode SEL-105RC (1070)	1
10-D3,4	ED694091	Luminous Diode SEL-105RC (1070)	2
10-4	TA652678	Lamp Retainer (AA-5485)	1
10-5	ZS325495	Tapping Screw #2 3x6 (BR)	2

11. MUTE P.C BOARD (AA-5507) BLOCK

Symbol No.	Parts No.	Description	Q'ty
11-1	BA657707	Mute P.C Board Comp. (AA-5507)	1
11-TR1,2	ET635218	Transistor 2SC945L (K) (P) (Q) (R)	2
11-SW1	ES656820	Push SW. SPG202C	1

12. MUTE P.C BOARD (AA-5412) BLOCK

Symbol No.	Parts No.	Description	Q'ty
12-1	BA657720	Mute P.C Board Comp. (AA-5412) (1080DB)	1
12-TR1,2	ET635218	Transistor 2SC945L (K) (P) (Q) (P)	2
12-VR1	EV656818	Vol. V16L4PHS 100 kB	1

13) ASSEMBLY BLOCK

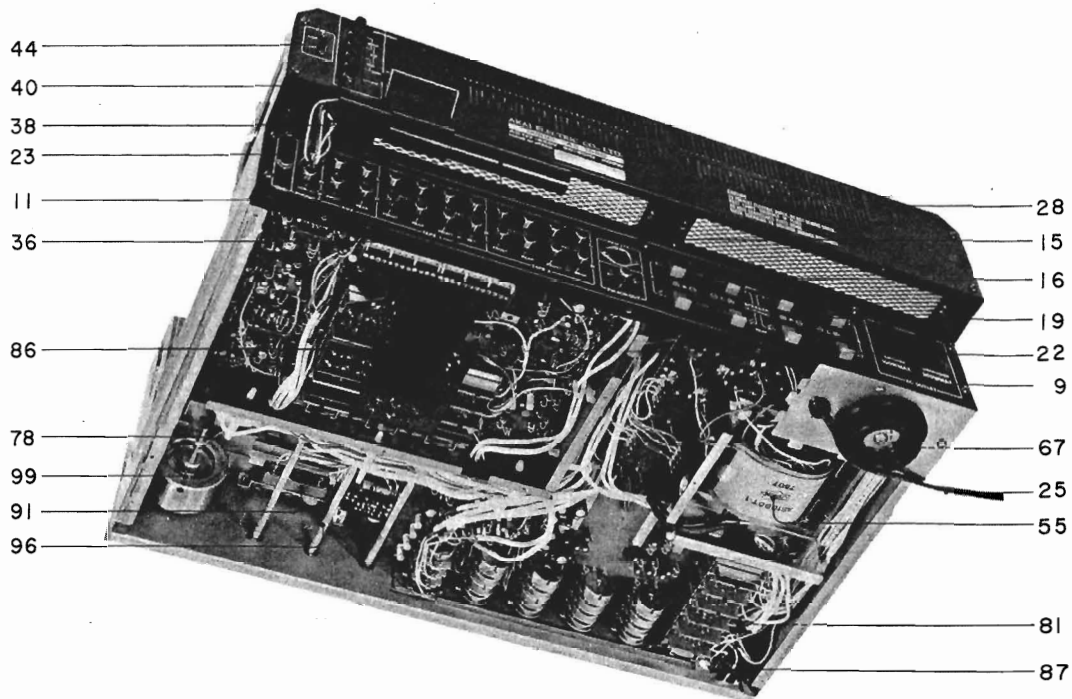
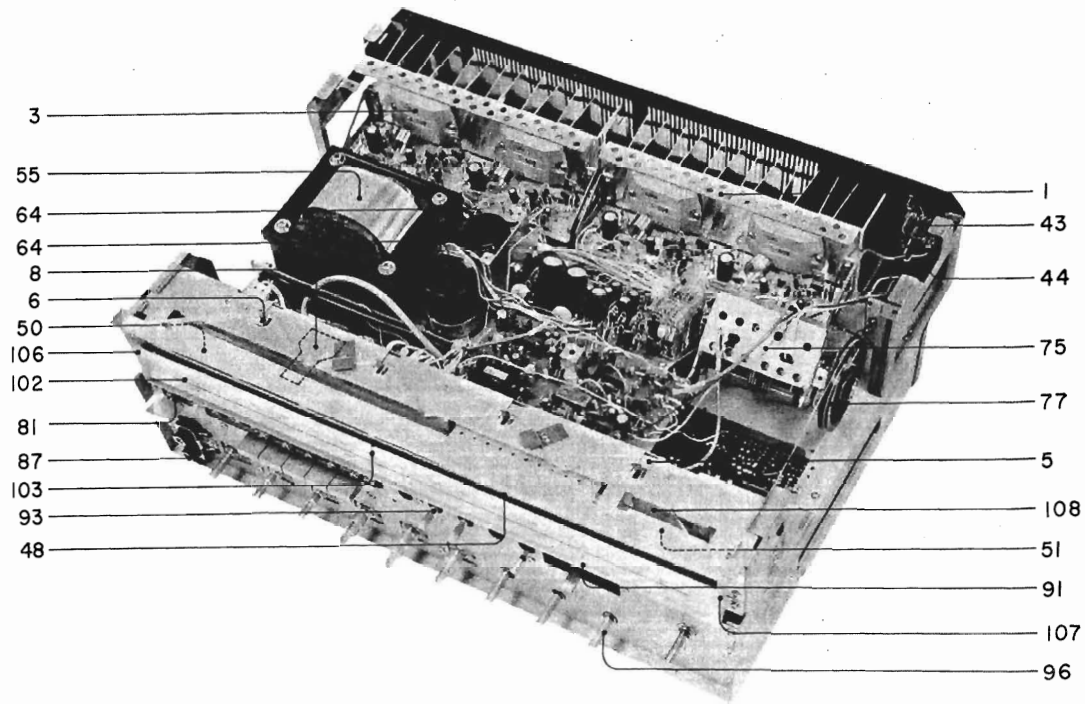
Ref. No.	Parts No.	Description	Schematic No.	Q'ty
MAIN AMP BLOCK				
13-1	EZ652162	Heat-sink	AA-5472	1
13-2x	EI656245	IC S-40W (1070)	45-8-157	4
13-3	EI656256	IC S-60W	45-8-158	4
13-4x	ZW379394	ISO Screw, round head 3x8		4
ILLUMINATION BLOCK				
13-5	EZ652454	Lamp P.C Board	AA-5418	1
13-6	EL668362	Pilot Lamp 8V 190MA (Lead Type)	28-2-50	4
13-7x	MB650147	Rubber Bushing No. 6552	3-13-44	4
REAR PANEL BLOCK				
13-8	EA652476	Remote P.C Board	AA-5411	1
13-9	SP656447	Rear Panel 1	AA-5469	1
13-10x	SP665998	Rear Panel 2 (CEE)	AA-5469	1
13-11	EJ656280	Pin Jack Plate	31-1-152	1
13-12x	EA652803	Pin Jack P.C Board	AA-5409	1
13-13x	EJ656291	Connector Pin 12P 2461-12B	42-1-92	2
13-14x	ZS366120	Screw, round head 3x6		6
13-15	MZ665032	8P Cable Connector	51-1-129	1
13-16	EJ354936	Pin Jack 1P	31-1-32	1
13-17x	ZS447761	Tapping Screw #2 3x6 (BR) (Black)		2
13-18x	ZS393794	Screw, round head 3x8		2
13-19	EJ655683	4P Speaker Jack C	32-1-68	4
13-20x	ZS393794	Screw, round head 3x8		8
13-21x	ZW273756	Nut M3		8
13-22	EJ650261	AC Consent U/L S-16432	31-1-147	2
13-23	SK652397	Knob 0512-2	34-1-4	1
13-24x	ZW651082	Washer D3.2x10x1t		1
13-25	EW374894	AC Cord CUL 3M	26-3-19	1
13-26x	EW516600	AC Cord VM-0065 (CEE)	26-3-28	1
HEAT-SINK COVER BLOCK				
13-27x	EZ656458	Heat-sink Cover (1070)	AA-5476	1
13-28	EZ654941	Heat-sink Cover B	AA-5476	1
13-29x	EZ654952	Heat-sink Cover C (1080DB)	AA-5476	1
13-30x	EZ669150	Heat-sink Cover A-1 (1070) (CSA)	AA-5476	1
13-31x	MZ669172	Heat-sink Cover B-1 (1080) (CSA)	AA-5476	1
13-32x	MZ669194	Heat-sink Cover C-1 (1080DB) (CSA)	AA-5476	1
13-33x	MZ669161	Heat-sink Cover A-2 (1070) (CEE)	AA-5476	1
13-34x	MZ669183	Heat-sink Cover B-2 (1080) (CEE)	AA-5476	1
13-35x	MZ669205	Heat-sink Cover C-2 (1080DB) (CEE)	AA-5476	1
13-36	TA656313	Bar Antenna	55-1-29	1
13-37x	TA656324	Bar Antenna (1070)	55-1-27	1
13-38	TA530910	Antenna Channel	91-5029	1
13-39x	ZS447761	Tapping Screw #2 3x6 (BR) (Black)		2
13-40	EZ655187	5P Antenna Terminal Plate	32-1-69	1
13-41x	ZS393794	Screw, round head 3x8		4
13-42x	ZW273756	Nut M3		3
13-43	BT444137	Balum Trans. 75 ohms- 300 ohms	23-1-129	1
13-44	ES656335	Slide SW. SSB02210	25-3-117	1
13-45x	ZS463353	Tapping Screw #2 3x8 (BR)		4
13-46x	TA652691	Heat-sink Ventilator	AA-5480	1
METER PLATE BLOCK				
13-47x	SP656381	Meter Panel A (1080DB)	AA-5446	1
13-48	SP656392	Meter Panel B	AA-5446	1
13-49x	SP656403	Meter Panel C (1070)	AA-5446	1
13-50	EM650902	Level Meter 85C226	46-1-102	4
13-51	EM650226	Tuning Meter 85C225	46-1-103	1
ASSEMBLY BLOCK				
13-52x	MR530651	Roller A	91-5008	4
13-53x	ZS530673	Roller Screw A	91-5010	4
13-54x	ZS447840	Tapping Screw #2 3x8 (BR)		4
13-55	BT668248	Power Trans. AS-1080T-5	38-4-399	1

When ordering parts, Please describe Parts Number, Serial Number, and Model Number in detail.

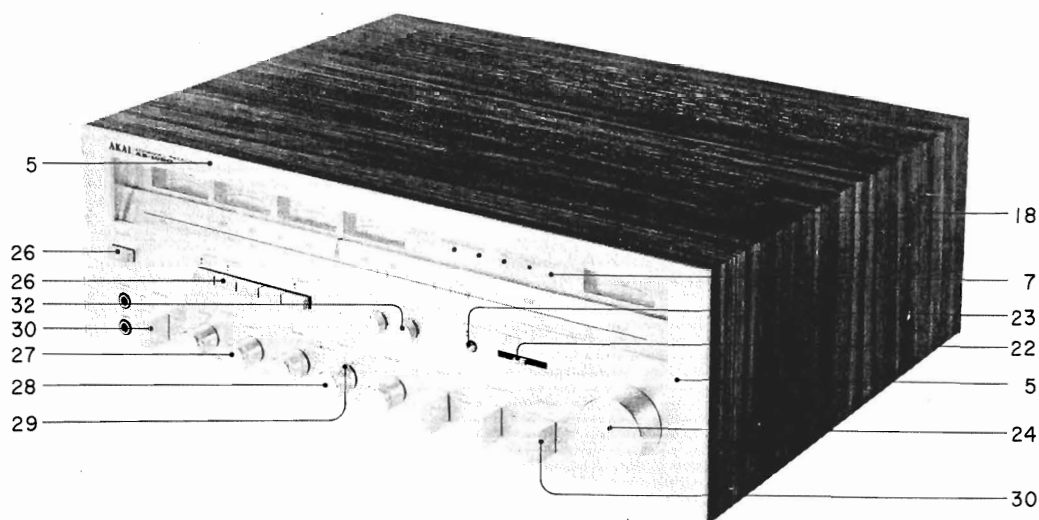
Ref. No.	Parts No.	Description	Schematic No.	Q'ty	Ref. No.	Parts No.	Description	Schematic No.	Q'ty
13-56x	BT656550	Power Trans. AS-1070T-5 (1070)	38-4-385	1	13-116x	EF602550	Fuse 1.25AT 250V (Semko T Type (1070) (CEE)	39-1-53	1
13-57x	BT669216	Power Trans. 1070T-2 (1070) (CSA)	38-4-402	1	13-117x	EF601964	Fuse 1.6AT (Semko T Type) (CEE)	39-1-53	1
13-58x	BT663478	Power Trans. AS-1080T-2 (1080/DB) (CSA)	38-4-398	1	13-118x	EF690996	Fuse 4AT (Semko T Type) (CEE)	39-1-53	1
13-59x	BT691018	Power Trans. AS-1080T-3 (1080/DB) (CEE)	38-4-414	1	13-119x	EF691007	Fuse 3.15AT (Semko T Type) (1070) (CEE)	39-1-53	1
13-60x	BT674526	Power Trans. AS-1070T-3 (1070) (CEE)	38-4-410	1	13-120x	EF623103	Fuse 1AT (Semko T Type) (CEE)	39-1-53	1
13-61x	ZW462688	Washer D5.1x11.5x1t		4	13-121x	EF601942	Fuse 630MAT (Semko Type) (CEE)	39-1-53	4
13-62x	ZW274026	Spring Washer M5		4					
13-63x	ZW413278	Nut M5		4					
13-64	EC656561	Elect./C. 10000µF 50WV (Lug Type)	24-10-104	2					
13-65x	ZS325495	Tapping Screw #2 3x6 (BR)		4					
13-66x	ZS593201	Screw, pan head 3x16		1					
13-67	EZ652410	Fuse Holder 3P Table	40-1-68	1					
13-68x	EZ663480	Fuse Holder 2P Table (CSA)	40-1-73	1					
13-69x	EZ655198	Fuse Holder 5P Base (CSA)	40-1-71	1					
13-70x	EZ689545	2P Fuse Holder (Large) (1070) (CSA)	40-1-92	1					
13-71x	EZ692087	2P Fuse Holder (Small) (1070) (CEE)	40-1-93	1					
13-72x	EZ691020	2P Fuse Holder (Small) (CEE)	40-1-89	1					
13-73x	EZ691064	5P Fuse Holder (Small) (1070) (CEE)	40-1-78	1					
13-74x	EV656572	2-throw Vol. V16L4GN 100kBx2 (1080DB)	36-22-15	2					
13-75	TA656583	Front End FL329U	57-2-36	1					
13-76x	TA562735	Front End FB112U21 (1070)	57-2-29	1					
13-77	MR656594	Pulley	2-14-32	1					
13-78	TA676890	Dial Thread 1.9m		1					
13-79x	ED539820	Peaking Coil 2.2µH(K) (1070)	23-1-187	1					
13-80x	EA668755	Peaking Coil P.C Board (1070)	AA-5063	1					
13-81	ES664222	Push SW. SDG5P	25-5-202	1					
13-82x	ES665807	Push SW. SDG-5P (CEE)	25-5-182	1					
13-83x	EC551160	Ceramic/C. NB821YZ 0.01µF(Z) 1.4 kWV	24-5-55	1					
13-84x	EC551160	Ceramic/C. NB821YZ 0.01µF(Z) 1.4 kWV (CSA)	24-5-55	2					
13-85x	ZS432674	Screw, pan head 3x3		2					
13-86	MZ653411	Cushion 1	AA-5471	2					
13-87	EJ656605	2-throw Jack	31-2-68	1					
13-88x	ZS455207	Tapping Screw #2 3x5 (BR)		2					
13-89x	MR530662	Roller B	91-5009	1					
13-90x	ZS530684	Roller Screw B	91-5010	1					
13-91	EV656616	Slide Vol. VJ308-45N25D2 100 kB	36-21-3	1					
13-92x	ZS432843	Screw, pan head 2.6x4		2					
13-93	EV656627	Vol. V16L4N 10 kB	36-6-18	2					
13-94x	TA674752	Cushion 3 (1080DB)	AA-5551	2					
13-95x	TA695722	Cushion 4 (1080DB)	AA-5552	2					
13-96	MS652724	Connector Shaft	AA-5455	3					
13-97x	TA646773	Joint	AA-5240	3					
13-98x	ZW270123	'E' Ring 4M	6-1-9	6					
13-99	BF671038	Flywheel Block Comp.		1					
13-100x	ZW610492	Nut M11	36-13-3	1					
13-101x	TA665098	Scale Plate B (1070)	AA-5442	1					
13-102	TA652623	Scale Plate	AA-5442	1					
13-103	TA652757	Pointer	AA-5448	1					
13-104x	TA646784	Pointer Base	AA-5241	1					
13-105x	TA665572	Pointer Sheet	AA-5522	1					
13-106	SP652364	Wall Plate A (Left)	AA-5458	1					
13-107	SP652375	Wall Plate B (Right)	AA-5458	1					
13-108	TA652320	Illumination Plate	AA-5444	1					
13-109x	EF658170	Fuse 8A 250V	39-1-50	1					
13-110x	EF575234	Fuse 6A 250V (1070)	39-1-50	1					
13-111x	EF668507	Fuse 3AG 125V 7A (CSA)	39-1-57	1					
13-112x	EF459843	Fuse ST-2 5A (1070) (CSA)	39-1-26	1					
13-113x	EF277402	Fuse ST-2 1A (CSA)	39-1-26	1					
13-114x	EF277413	Fuse ST-2 2A (1070) (CSA)	39-1-26	1					
13-115x	EF424811	Fuse ST-2 2.5A (CSA)	39-1-26	1					

When ordering parts, Please describe Parts Number, Serial Number, and Model Number in detail.

13. ASSEMBLY BLOCK



14. FINAL ASSEMBLY BLOCK



14) FINAL ASSEMBLY BLOCK

Ref. No.	Parts No.	Description	Schematic No.	Q'ty
14-1x	BZ657562	Front Panel Block Comp.		1
14-2x	BZ657573	Front Panel Block Comp (1080DB)		1
14-3x	BZ657551	Front Panel Block Comp. (1070)		1
14-4x	SP656414	Front Panel A (1080DB)	AA-5463	1
14-5	SP656425	Front Panel B	AA-5465	1
14-6x	SP656436	Front Panel C (1070)	AA-5467	1
14-7	SZ652285	Front Glass	AA-5445	1
14-8x	ZG652713	Glass Retaining Spring	AA-5456	2
14-9x	SE653433	Escutcheon 1	TE-6313	1
14-10x	SE653444	Escutcheon 2	TE-6313	1
14-11x	SE653455	Escutcheon 3 (1070, 1080DB)	TE-6313	1
14-12x	SE631585	Button Escutcheon D	CG-6814	1
ASSEMBLY BLOCK				
14-13x	SP652331	Bottom Plate	AA-5439	1
14-14x	SP676607	Bottom Plate B (CEE) (CSA)	AA-5439	1
14-15x	SZ651958	Fuse Cover	AA-5438	1
14-16x	SA545005	Amp. Foot	98-5051	4
14-17x	ZS463375	Tapping Screw #2 4x15 (Truss)		4
14-18	BC652634	Cabinet	AA-5440	1
14-19x	SE655108	Cabinet Rear Net	AA-5503	1
14-20x	ZW548010	Spot Facing Washer	MU-6028	4
14-21x	ZS558050	Screw, binding head 4x14		4
14-22	SK652386	Slide Knob	AA-5478	1
14-23	SK665223	Memory Cap A	AA-5521	1
14-24	SK647967	Tuning Knob (Large)	AA-5332	1
14-25x	ZS344463	Set Screw, hexagon socket 4x6		1
14-26	SB679860	Push Button (Square)	TE-6320	6
14-27	SK646817	Single Knob	AA-5250	3
14-28	SK644670	Double Knob (Upper)	AA-5355	2
14-29	SK645208	Double Knob (Lower)	AA-5353	2
14-30	SK646830	Selector Knob	AA-5253	4
14-31x	ZS344531	Set Screw, hexagon socket 4x5		4
14-32	SK647548	Single Knob (Small)	CJ-6031	2
14-33x	SK677057	4 Ch Small Double Knob (Upper) (1080DB)	AA-5548	4
14-34x	SK677046	4 Ch Small Double Knob (Lower) (1080DB)	AA-5549	4

When ordering parts, Please describe Parts Number, Serial Number, and Model Number in detail.

15 LIST OF INTERCHANGEABLE SEMICONDUCTORS

As far as service in concerned, in case the original parts cannot be obtained, the interchangeable parts listed below can be substituted.

Original Parts			Interchangeable Parts	
Description	Parts No.	Utilizing P.C Board	Description	Parts No.
2SA640-1 (P) (Q)	ET661836	AA-5417	2SA564 (Q) (R) 2SA733 (Q) (R)	ET538154 ET538378
2SC1628 (O) (Y)	ET623035	AA-5417	2SC1124 (1) (2)	ET551564
2SC1222 (E) (F)	ET459810	AA-5401 AA-5404 AA-5406 AA-5405	2SC1000 (BL) (GR) 2SC1313 (G) (H)	ET622181 ET604124
2SC945L (P) (Q)	ET639437	AA-5401 AA-5415 AA-5407 AA-5408	2SC1647 (R) (S) 2SC711 (G) 2SC536 (E) (F)	ET658181 ET399870 ET370607
2SA733 (P) (Q)	ET554657	AA-5401 AA-5415 AA-5407	2SA628 (D) (E) 2SA564 (Q) (R)	ET538110 ET538154
2SA640 (F)	ET665842	AA-5401 AA-5403	2SA628 (D) (E) 2SA733 (Q) (R) 2SA564 (Q) (R)	ET538110 ET538378 ET538154
2SD313 (E) (F)	ET452531	AA-5415	2SD571 (L) (M)	ET655356
2SC1384 (P) (Q)	ET658067	AA-5415	2SD400 (K) 2SC959 (L) (M) 2SC1211 (C) (D)	ET631877 ET452597 ET430907
2SC930 (E) (F)	ET618873	AA-5307	2SC454 (B) (C) 2SC372 (Y)	ET591366 ET234808
2SC458LG (B) (C)	ET234843	AA-5403	2SC1000 (Y) (GR) 2SC693U (F) 2SC1312S (G) (H)	ET654862 ET315472 ET603257
2SC1000 (BL) (GR)	ET622181	AA-5403	2SC458LG (C) 2SC1222 (E) (F)	ET234854 ET459810
2SC945L (K) (P) (Q) (R)	ET635218	AA-5507 AA-5412	2SC1647 (R) (S) 2SC536 (E) (F) 2SC711 (G)	ET658181 ET370607 ET399870
2SC1520-3 (L) (K)	ET656267	AA-5417		
2SB548 (P) (Q)	ET656910	AA-5415		
S-60W	EI656256	AA-5417		
S-40W	EI656245	AA-5417		
CX-050	EI656976	AA-5401		
CX-049	EI656965	AA-5401		
CX-718	EI656987	AA-5401		
CD4-392	EI656998	AA-5401		
TA7129P	EI657000	AA-5401		
LA-1230	EI650586	AA-5407		
LA3350A	EI650597	AA-5407		
μPC-30C	EI650362	AA-5407		

Original Parts			Interchangeable Parts	
Description	Parts No.	Utilizing P.C Board.	Description	Parts No.
1S2473VE	ED560913	AA-5401	1S1588	ED557447
1S2473F	ED657022	AA-5415	WG599	ED514721
1S2472VE	ED656278	AA-5407	WG713	ED515990
10D1	ED224526	AA-5415	1N4001	ED538615
10D2	ED224548	AA-5410 AA-5415	1N4003	ED570295
1S188AM	ED562386	AA-5406 AA-5408	1N34A	ED417442
1T243M-47	ED657011	AA-5401		
WZ-120	ED510772	AA-5401 AA-5408		
WZ-162	ED494627	AA-5415		
WZ-130	ED539976	AA-5415		
SEL305GL	ED656346	AA-5413		
SEL105R	ED656357	AA-5413		
S5188	ED656234	AA-5410		
HIFI 400V 3A (SPECIAL)	ED558033	AA-5410		

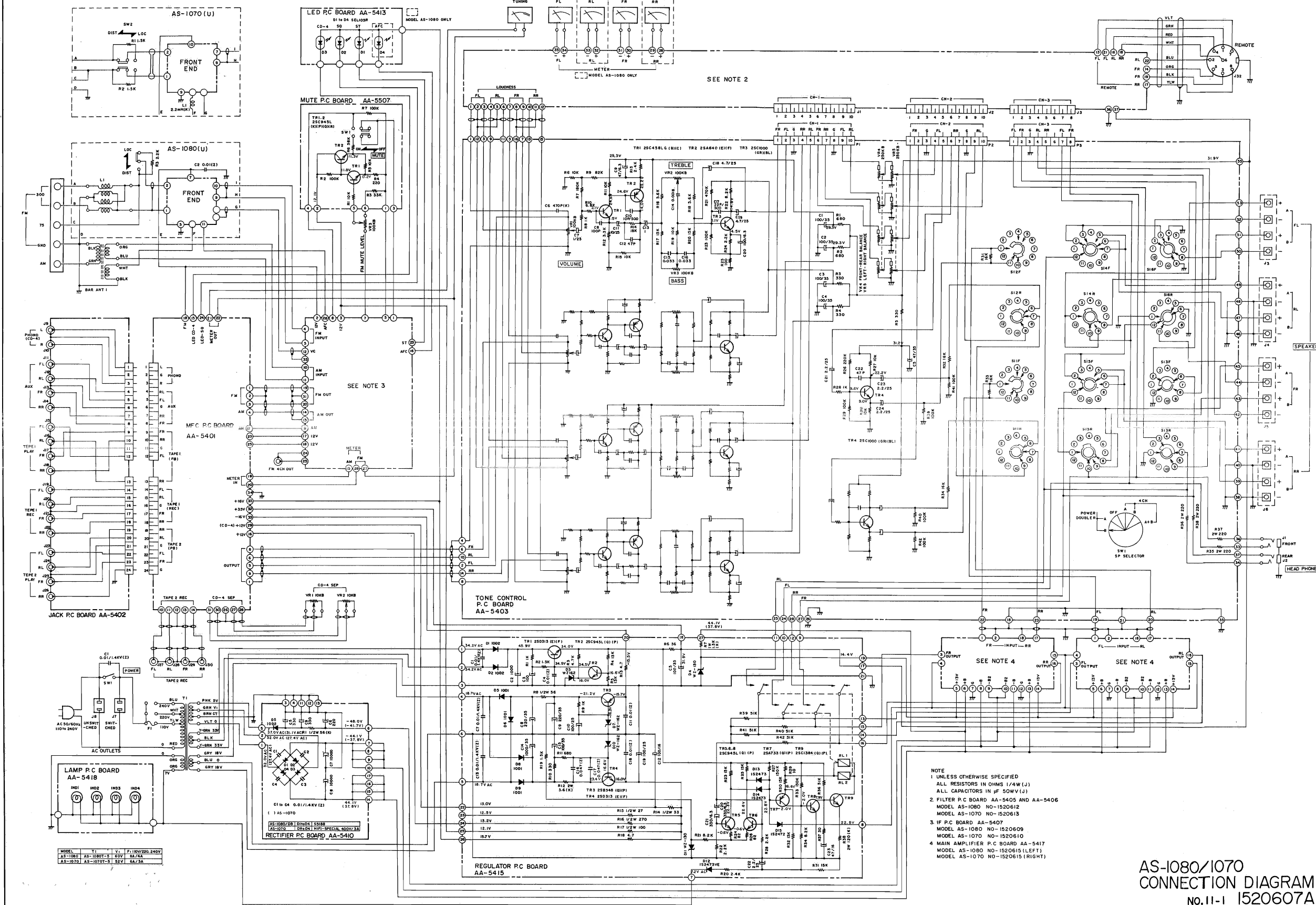
INDEX

Parts No.	Ref. No. & Symbol No.	Parts No.	Ref. No. & Symbol No.	Parts No.	Ref. No. & Symbol No.	Parts No.	Ref. No. & Symbol No.	Parts No.	Ref. No. & Symbol No.
BA657617	10-3	ED510772	3-D2	ER658091	8-R38	EZ655187	13-40	ZS432674	13-85x
BA657628	10-1	ED539820	13-79x	ER658124	5-R10	EZ655198	13-69x	ZS432843	13-92x
BA657630	10-2	ED539976	8-D4	ER658124	6-R6	EZ656458	13-27x	ZS447761	13-17x
BA657663	3-1	ED539976	8-D11	ES656335	13-44	EZ663480	13-68x	ZS447761	13-39x
BA657674	4-3	ED558033	9-D1to4	ES656728	4-SW1	EZ689545	13-70x	ZS447840	8-4
BA657685	4-1	ED560913	1-D1to6	ES656730	4-SW1	EZ691020	13-72x	ZS447840	13-54x
BA657696	4-2	ED560913	1-D10	ES656741	4-SW1	EZ691064	13-73x	ZS455207	13-88x
BA657707	11-1	ED560913	1-D13	ES656820	11-SW1	EZ692087	13-71x	ZS463353	13-45x
BA657720	12-1	ED560913	7-D1	ES656831	2-SW1	MB650147	13-7x	ZS463375	14-17x
BA657731	2-2	ED560913	8-D12to14	ES657050	1-SW3	MR530651	13-52x	ZS530673	13-53x
BA657742	2-1	ED562386	3-D1	ES657077	1-SW1	MR530662	13-89x	ZS530684	13-90x
BA657753	7-3	ED562386	4-D1,2	ES657088	1-SW2	MR656594	13-77	ZS558050	14-21x
BA657764	7-1	ED562386	4-D1to4	ES658884	3-SW1	MS652724	13-96	ZS593201	13-66x
BA657775	7-2	ED562386	4-D1to8	ES664222	13-81	MZ653411	13-86	ZW270123	13-98x
BA657808	1-1	ED650823	6-L1	ES665807	13-82x	MZ665032	13-15	ZW273756	13-21x
BA657810	1-4	ED656234	9-D1to4	ET234843	2-TR1	MZ669150	13-30x	ZW273756	13-42x
BA657865	6-1	ED656278	5-D1,2	ET452531	8-TR1	MZ669161	13-33x	ZW274026	13-62x
BA657876	5-1	ED656278	6-D1,2	ET452531	8-TR4	MZ669172	13-31x	ZW379394	13-4x
BA670500	2-4	ED656278	8-D15	ET459810	1-TR1to4	MZ669183	13-34x	ZW413278	13-63x
BA670511	2-3	ED657011	1-D7to9	ET459810	1-TR13	MZ669194	13-32x	ZW462688	13-61x
BA670522	1-2	ED657022	1-D11,12	ET459810	1-TR21	MZ669205	13-35x	ZW548010	14-20x
BA680758	8-1	ED657022	1-D14to18	ET459810	4-TR1	SA545005	14-16x	ZW610492	13-100x
BA680760	9-2	ED657033	1-V1to4	ET460912	1-TR22	SB679860	14-26	ZW632226	8-2
BA680771	9-1	ED694091	10-D1	ET554657	1-TR11	SE631585	14-12x	ZW651082	13-24x
BA680815	1-3	ED694091	10-D1to4	ET554657	1-TR19	SE653433	14-9x		
BC652634	14-18	ED694091	10-D3,4	ET554657	8-TR7	SE653444	14-10x		
BF671038	13-99	EF277402	13-113x	ET557965	7-TR9	SE653455	14-11x		
BT444137	13-43	EF277413	13-114x	ET618873	7-TR2,3	SE655108	14-19x		
BT656550	13-56x	EF424811	13-115x	ET622181	2-TR3,4	SK644670	14-28		
BT663478	13-58x	EF459843	13-112x	ET623035	5-TR3,4	SK645208	14-29		
BT668248	13-55	EF575234	13-110x	ET623035	6-TR3	SK646817	14-27		
BT669216	13-57x	EF601964	13-117x	ET635218	11-TR1,2	SK646830	14-30		
BT674526	13-60x	EF601942	13-121x	ET635218	12-TR1,2	SK647548	14-32		
BT691018	13-59x	EF602550	13-116x	ET639437	1-TR5to10	SK647967	14-24		
BZ657551	14-3x	EF623103	13-120x	ET639437	1-TR12	SK652386	14-22		
BZ657562	14-1x	EF658170	13-109x	ET639437	1-TR15to18	SK652397	13-23		
BZ657573	14-2x	EF668507	13-111x	ET639437	1-TR20	SK665223	14-23		
EA652454	13-5	EF690996	13-118x	ET639437	1-TR23to25	SK677046	14-34x		
EA652476	13-8	EF691007	13-119x	ET639437	3-TR1	SK677057	14-33x		
EA652803	13-12x	EI605013	3-IC1	ET639437	7-TR1	SP652331	14-13x		
EA668755	13-80x	EI650362	7-IC3	ET639437	7-TR4to8	SP652364	13-106		
EC516756	1-C140	EI650586	7-IC1	ET639437	7-TR8	SP652375	13-107		
EC516767	3-C22	EI650597	7-IC2	ET639437	8-TR2	SP656381	13-47x		
EC522167	1-C102	EI656245	13-2x	ET639437	8-TR5,6	SP656392	13-48		
EC522167	1-C169	EI656256	13-3	ET639437	8-TR8	SP656403	13-49x		
EC522167	7-C23	EI656958	1-IC7	ET655615	2-TR2	SP656414	14-4x		
EC522516	7-C29,30	EI656958	1-IC4	ET656267	5-TR5	SP656425	14-5		
EC523282	1-C85	EI656965	1-IC2	ET656267	6-TR4	SP656436	14-6x		
EC523282	1-C155	EI656976	1-IC1	ET656910	8-TR3	SP656447	13-9		
EC523282	3-C4	EI656987	1-IC3	ET658067	8-TR9	SP665998	13-10x		
EC523282	3-C10	EI657000	1-IC5,6	ET658102	3-TR2	SP676607	14-14x		
EC523282	7-C11	EJ354936	13-16	ET661836	5-TR1,2	SZ651958	14-15x		
EC523282	7-C43	EJ650261	13-22	ET661836	6-TR1,2	SZ652285	14-7		
EC551160	13-83x	EJ655683	13-19	ET665842	1-TR14	TA530910	13-38		
EC551160	13-84x	EJ656280	13-11	EV484863	4-VR1to4	TA562735	13-76x		
EC604440	1-C103	EJ656291	13-13x	EV484863	7-VR1	TA646773	13-97x		
EC604440	1-C170	EJ656605	13-87	EV465017	1-VR1,2	TA646784	13-104x		
EC604440	3-C9	EJ656785	4-J1,2	EV499364	5-VR2	TA652320	13-108		
EC604440	7-C16	EJ656796	4-J3	EV499364	6-VR2	TA652623	13-102		
EC604440	7-C27	EJ656886	2-P1,2	EV499364	7-VR2	TA652678	10-4		
EC621257	7-C22	EJ656897	2-P3	EV520806	1-VR3to7	TA652691	13-46x		
EC650406	7-C33	EL668362	13-6	EV560136	3-VR2	TA652757	13-103		
EC656561	13-64	EM650226	13-51	EV604438	3-VR3	TA656313	13-36		
EC657055	1-C97	EM650902	13-50	EV604484	5-VR1	TA656324	13-37x		
EC657055	1-C164	EO560610	7-L1	EV604484	6-VR1	TA656583	13-75		
EC657066	1-C106	EO645838	7-T3	EV656572	13-74x	TA665098	13-101x		
EC657066	1-C174	EO650373	7-T4	EV656616	13-91	TA665572	13-105x		
EC658001	7-C33	EO650384	7-T2	EV656627	13-93	TA674752	13-94x		
EC662126	1-C101	EO650395	7-T3	EV656818	12-VR1	TA676890	13-78		
EC662128	1-C168	EO650608	7-T1	EV656842	2-VR1	TA695722	13-95x		
EC666483	7-C21	EO650823	5-L1	EV656853	2-VR4,5	ZG652713	14-8x		
ED224526	8-D5,6	EO656932	1-L3,4	EV656864	2-VR2,3	ZS325495	10-5		
ED224526	8-D8,9	EO656943	1-L1,2	EV656876	2-VR2,3	ZS325495	13-65x		
ED224548	8-D1,2	EO656943	1-L5,6	EV658895	3-VR1	ZS344463	14-25x		
ED224548	9-D5	EO656954	1-L7,8	EW374894	13-25	ZS344531	14-31x		
ED485370	3-TH1	EP638763	8-RL1,2	EW516600	13-26x	ZS366120	13-14x		
ED494627	8-D3	ER650430	7-FL1,2	EZ652162	13-1	ZS379350	8-3		
ED494627	8-D7	ER650430	7-FL1to3	EZ652410	13-67	ZS393794	13-18x		
ED494627	8-D10	ER656908	7-FL4	EZ654941	13-28	ZS393794	13-20x		
ED510772	1-D19	ER656921	8-R12	EZ654952	13-29x	ZS393794	13-41x		

SECTION 3

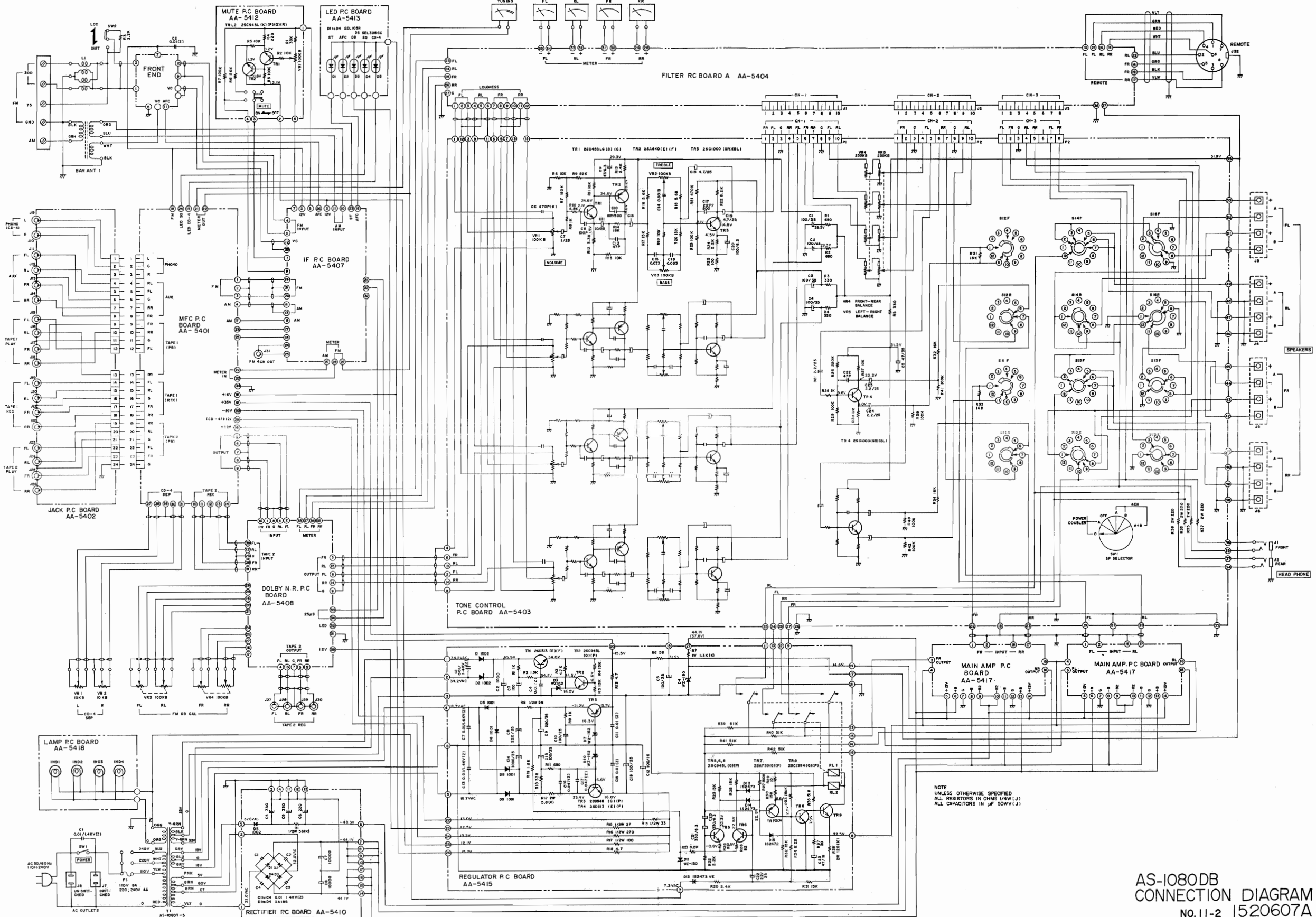
SCHEMATIC DIAGRAM

1.	AS-1080/1070	CONNECTION DIAGRAM	No. 11-1	1520607A
2.	AS-1080DB	CONNECTION DIAGRAM	No. 11-2	1520607A
3.	AS-1080/DB/ 1070	MFC SCHEMATIC DIAGRAM	No. 11-3	1520608A
4.	AS-1080/DB (U)	IF SCHEMATIC DIAGRAM	No. 11-4	1520609A
5.	AS-1070 (U)	IF SCHEMATIC DIAGRAM	No. 11-5	1520610A
6.	AS-1080	FILTER SCHEMATIC DIAGRAM	No. 11-6	1520611A
7.	AS-1080DB	FILTER SCHEMATIC DIAGRAM	No. 11-7	1520612A
8.	AS-1070	FILTER SCHEMATIC DIAGRAM	No. 11-8	1520613A
9.	AS-1080DB	DOLBY N.R. SCHEMATIC DIAGRAM	No. 11-9	1520614A
10.	AS-1080/DB/ 1070	MAIN AMP SCHEMATIC DIAGRAM	No. 11-10	1520615A
11.	AS-1080/DB/ 1070	POWER TRANS SCHEMATIC DIAGRAM..	No. 11-11	1520616A



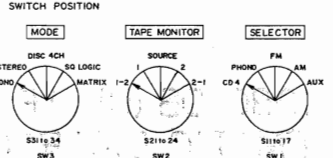
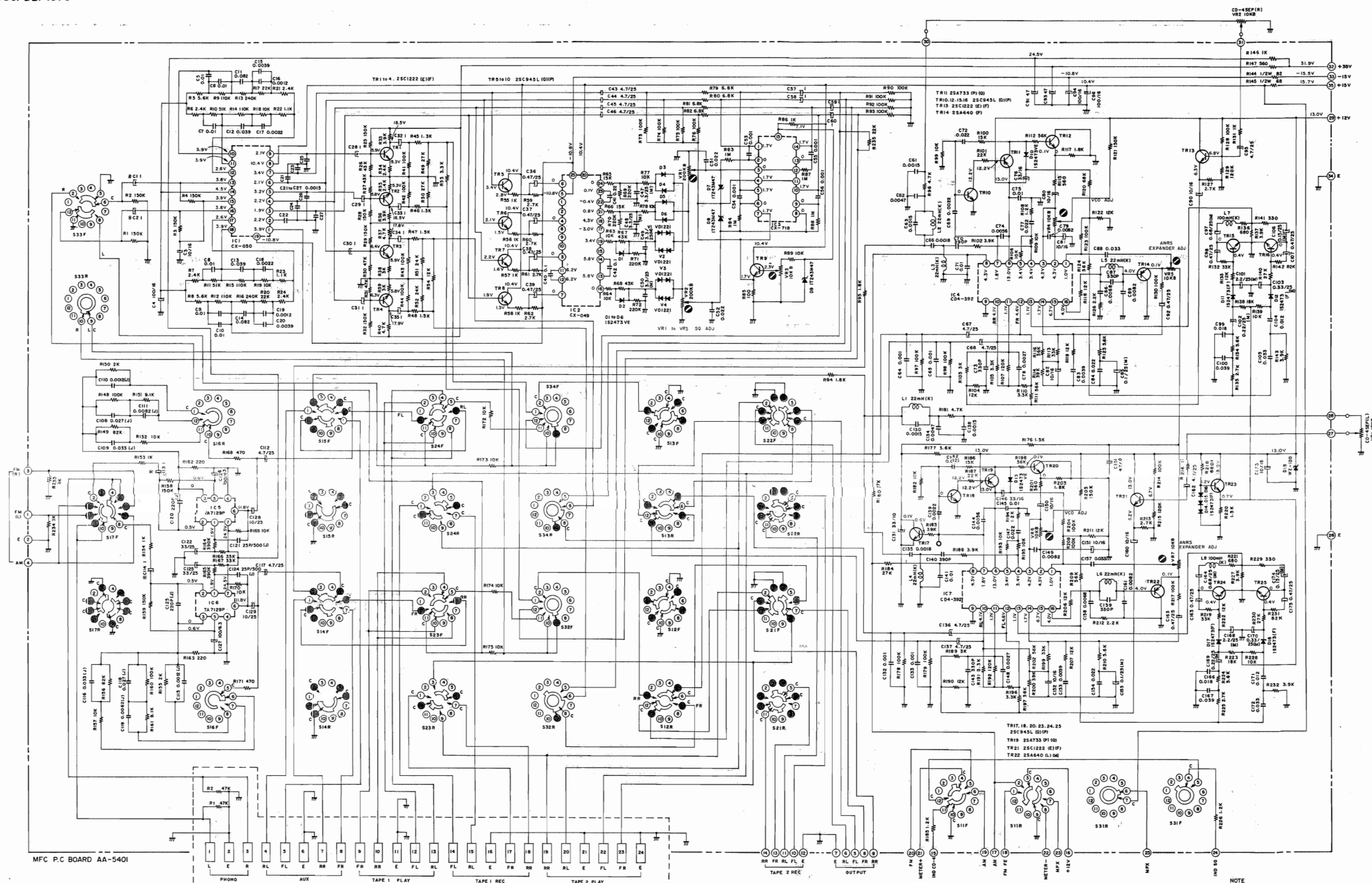
NOTE
 1 UNLESS OTHERWISE SPECIFIED
 ALL RESISTORS IN OHMS 1/4W (J)
 ALL CAPACITORS IN μ F 50WV (J)
 2 FILTER P.C. BOARD AA-5405 AND AA-5406
 MODEL AS-1080 NO-1520612
 MODEL AS-1070 NO-1520613
 3 IF P.C. BOARD AA-5407
 MODEL AS-1080 NO-1520609
 MODEL AS-1070 NO-1520610
 4 MAIN AMPLIFIER P.C. BOARD AA-5417
 MODEL AS-1080 NO-1520615 (LEFT)
 MODEL AS-1070 NO-1520615 (RIGHT)

AS-1080/1070
 CONNECTION DIAGRAM
 No. 11-1 1520607A



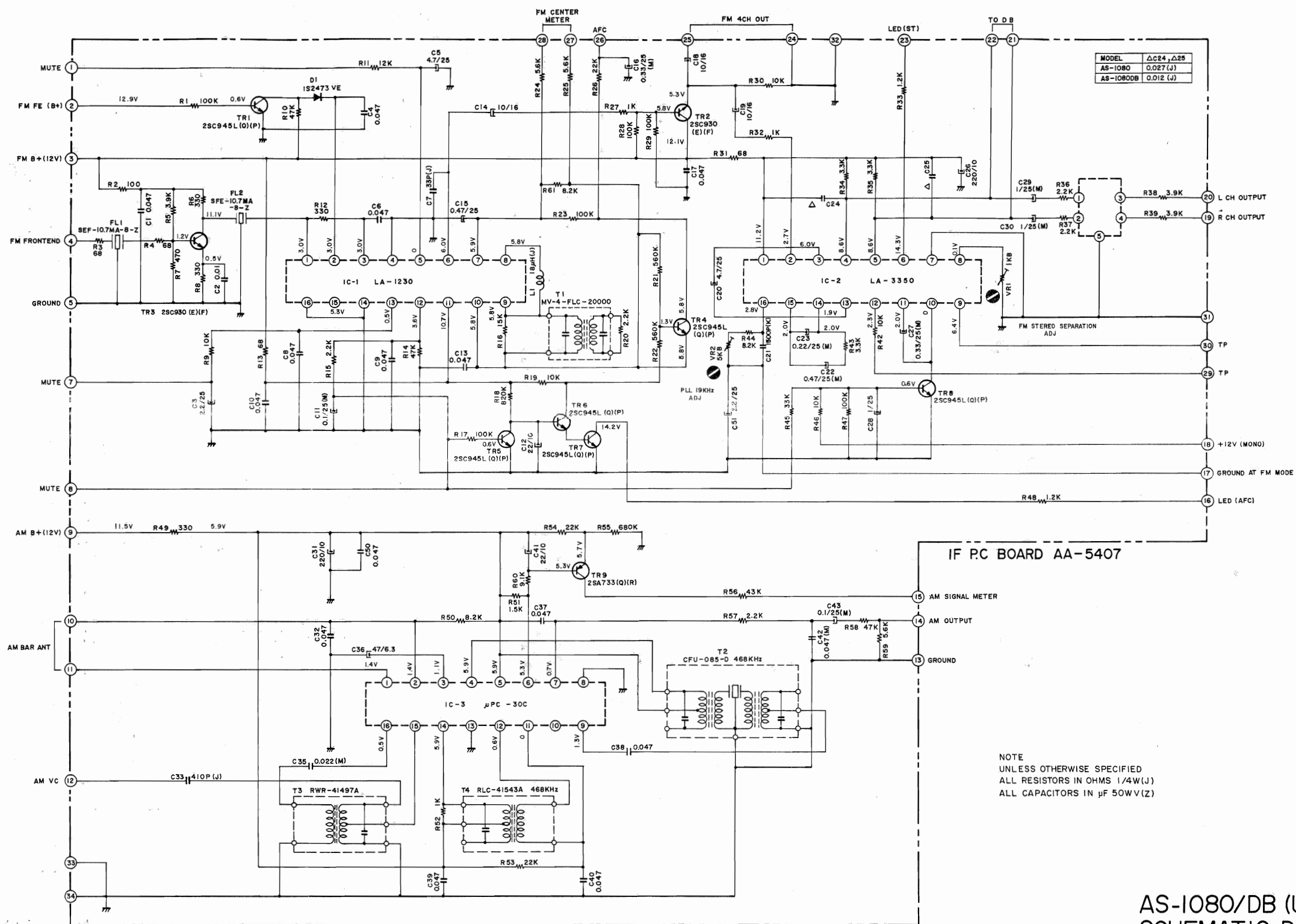
NOTE
UNLESS OTHERWISE SPECIFIED
ALL RESISTORS IN OHMS (AWV.1)
ALL CAPACITORS IN μ F (50MV.1.1)

AS-1080DB
CONNECTION DIAGRAM
NO.11-2 152067A



NOTE
 1. UNLESS OTHERWISE SPECIFIED
 ALL RESISTORS IN OHMS 1/4W (1)
 ALL CAPACITORS IN μ F 50WV (1)
 2. \otimes MARK INDICATES LOW LEAKAGE CAPACITORS
 3. THE COLORED RED MARK OF THE ROTARY SWITCH
 TERMINAL INDICATES THAT F AND R ARE CONNECTED

AS-1080/DB(U)

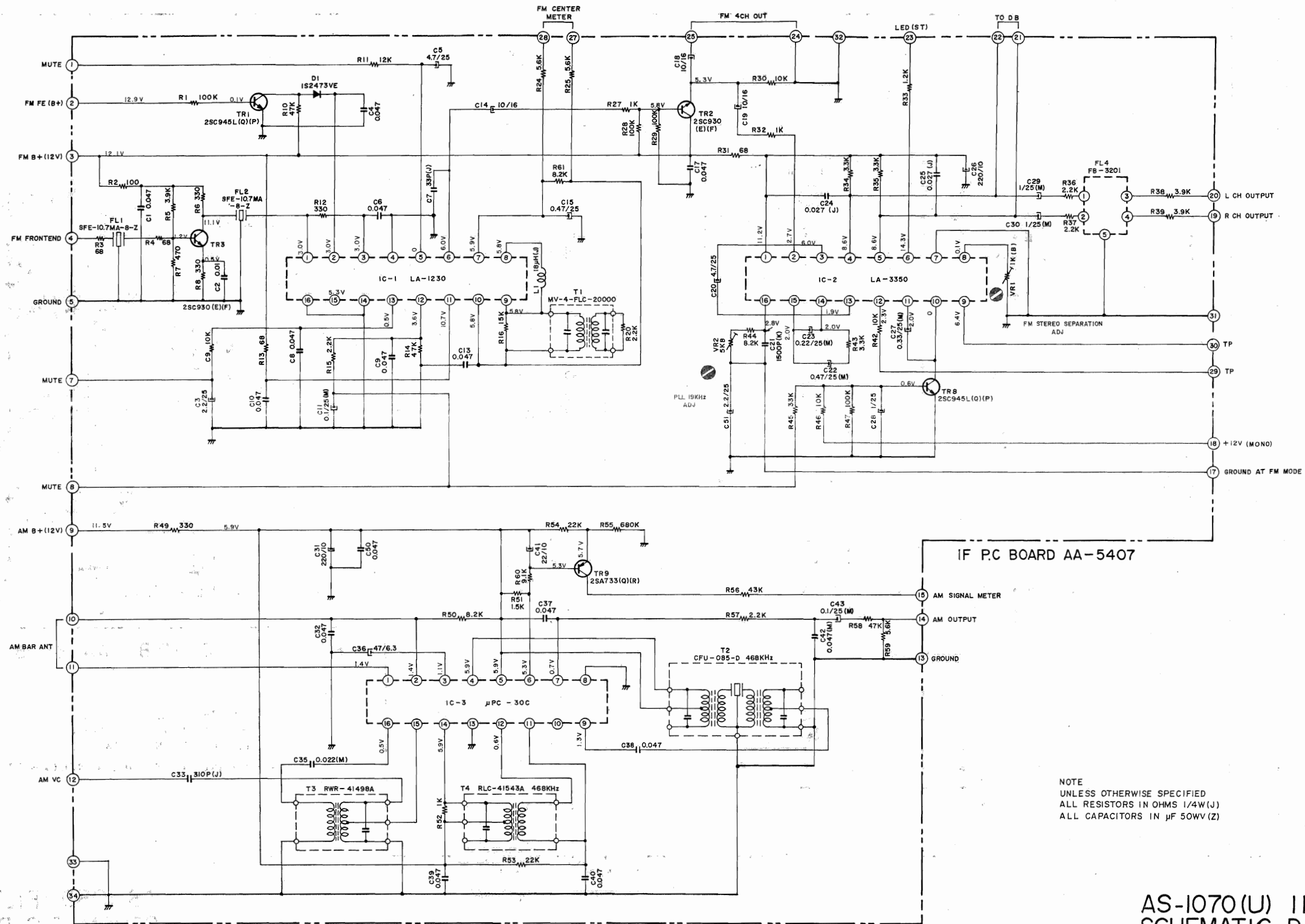


IF PC BOARD AA-5407

NOTE
 UNLESS OTHERWISE SPECIFIED
 ALL RESISTORS IN OHMS 1/4W(J)
 ALL CAPACITORS IN μF 50WV(Z)

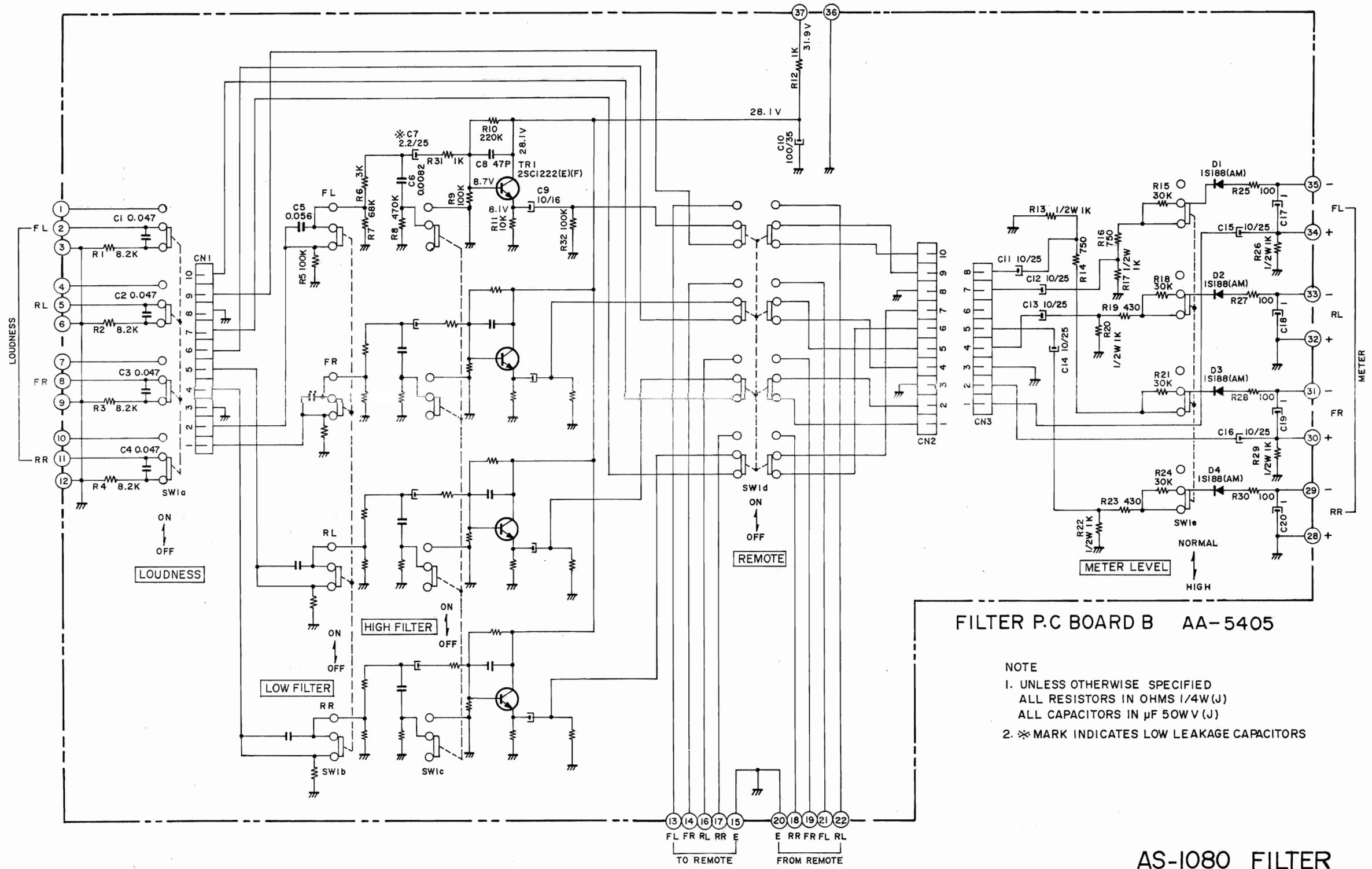
AS-1080/DB(U) IF
 SCHEMATIC DIAGRAM
 No.11-4 1520609A

AS-1070(U)



NOTE
UNLESS OTHERWISE SPECIFIED
ALL RESISTORS IN OHMS 1/4W(J)
ALL CAPACITORS IN μF 50WV(Z)

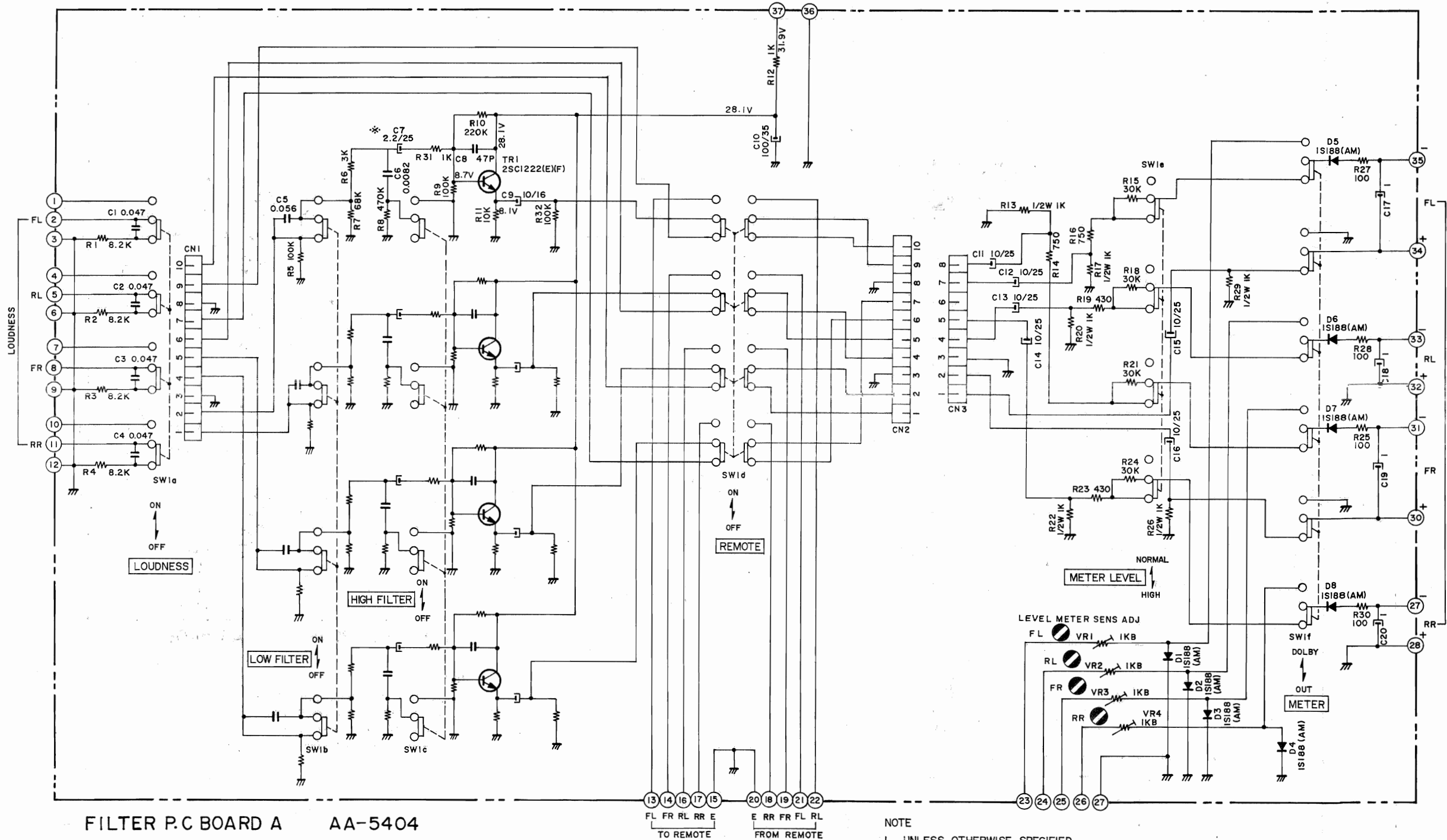
AS-1070(U) IF
SCHEMATIC DIAGRAM
No.11-5 1520610A



FILTER P.C BOARD B AA-5405

- NOTE
1. UNLESS OTHERWISE SPECIFIED
ALL RESISTORS IN OHMS 1/4W (J)
ALL CAPACITORS IN µF 50W V (J)
 2. * MARK INDICATES LOW LEAKAGE CAPACITORS

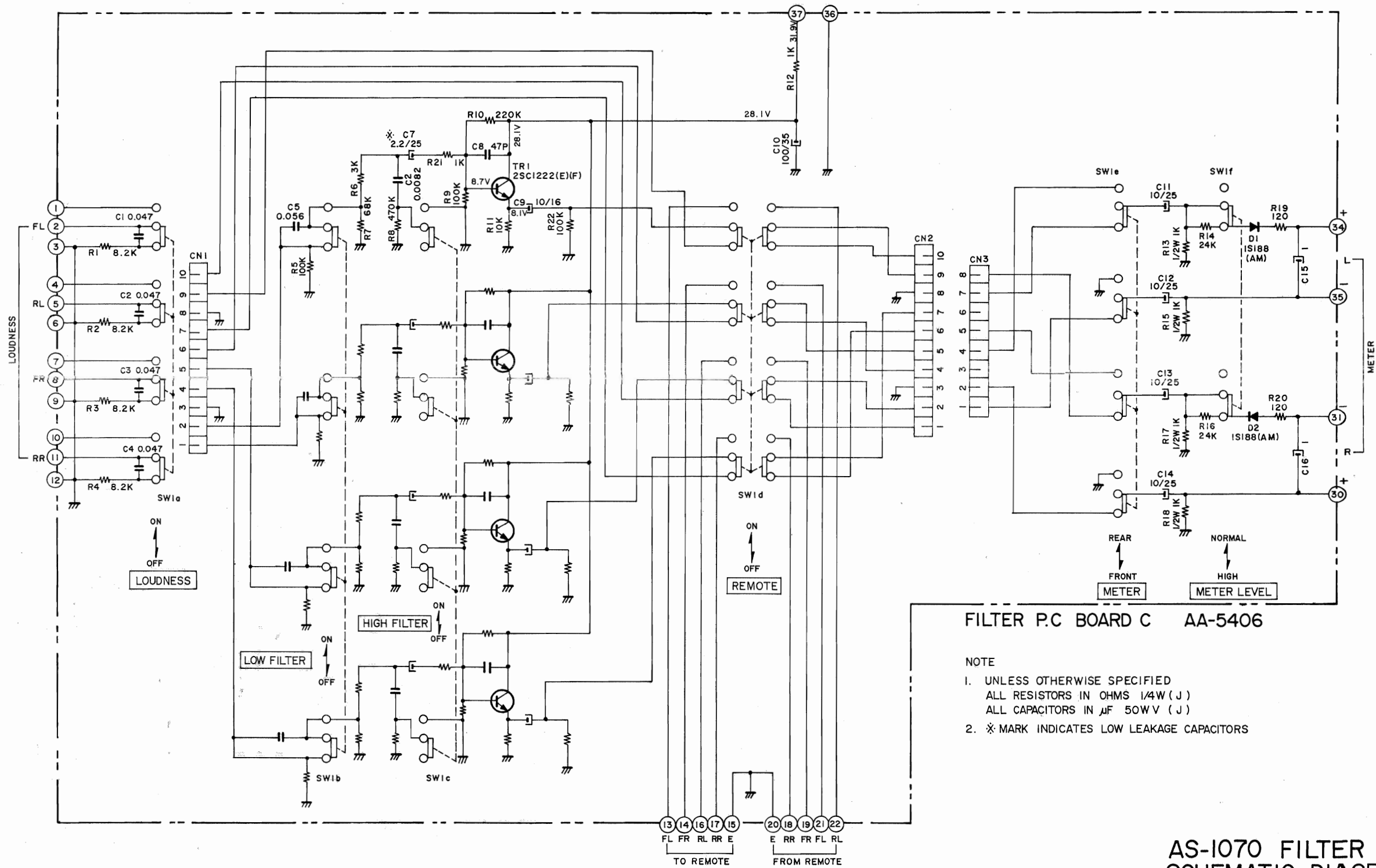
**AS-1080 FILTER
SCHEMATIC DIAGRAM
NO. 11-6 1520611A**



FILTER P.C BOARD A AA-5404

- NOTE
1. UNLESS OTHERWISE SPECIFIED
ALL RESISTORS IN OHMS 1/4W(J)
ALL CAPACITORS IN µF 50WV(J)
 2. * MARK INDICATES LOW LEAKAGE
CAPACITORS

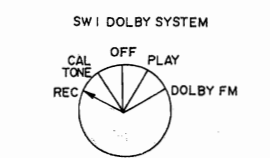
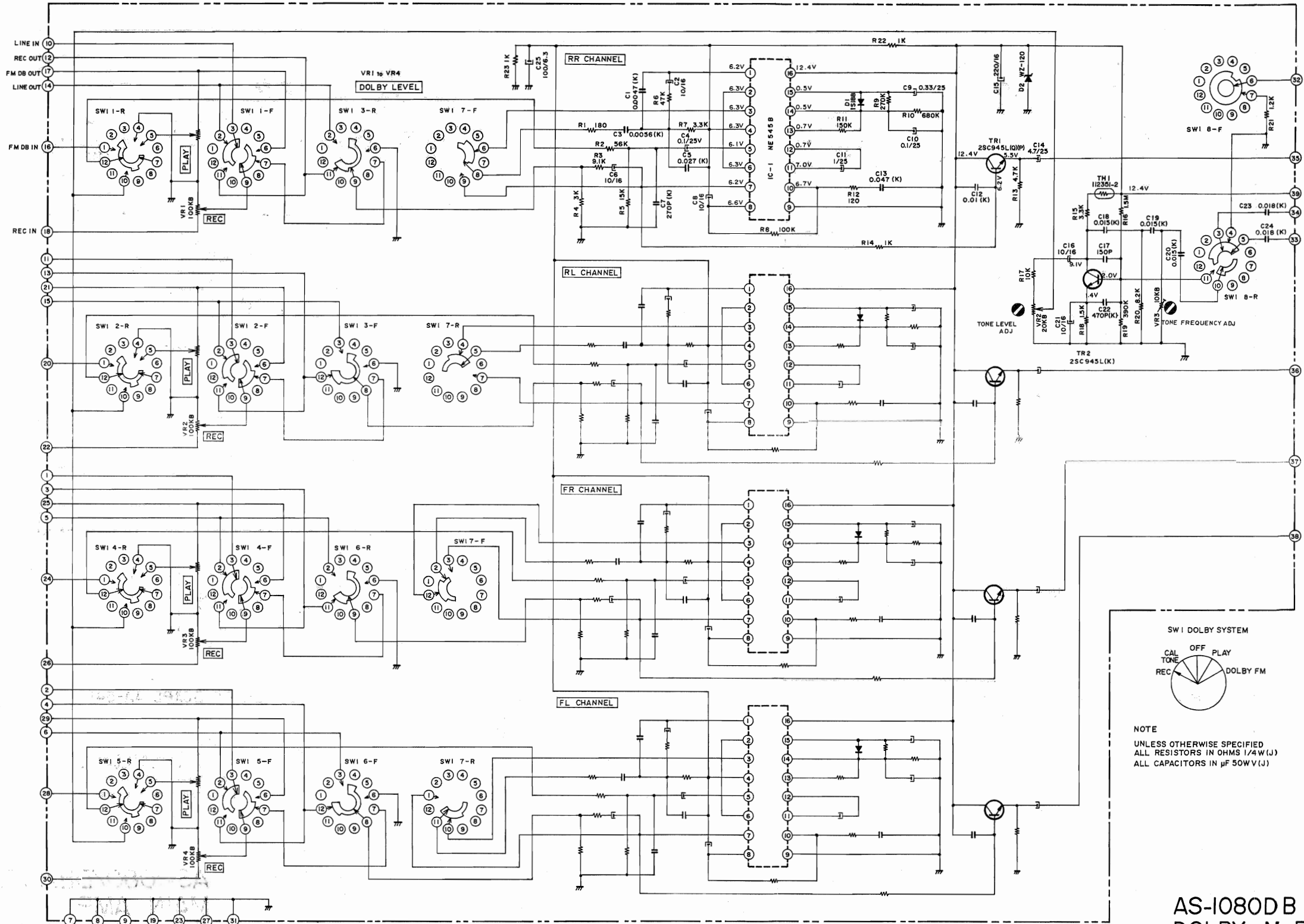
AS-1080DB FILTER
SCHEMATIC DIAGRAM
No.11-7 1520612A
2C



FILTER P.C BOARD C AA-5406

- NOTE
1. UNLESS OTHERWISE SPECIFIED
ALL RESISTORS IN OHMS 1/4W (J)
ALL CAPACITORS IN μ F 50WV (J)
 2. * MARK INDICATES LOW LEAKAGE CAPACITORS

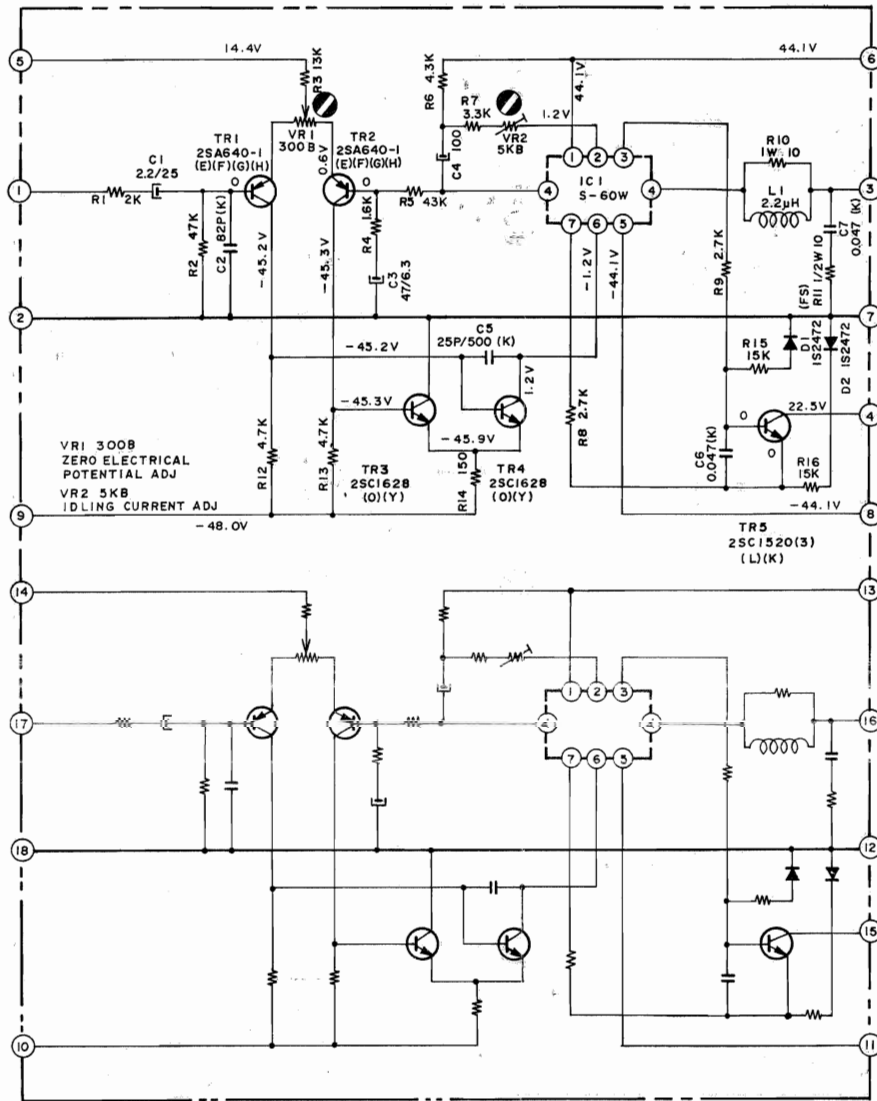
AS-1070 FILTER
SCHEMATIC DIAGRAM
No.11-8 1520613A
2C



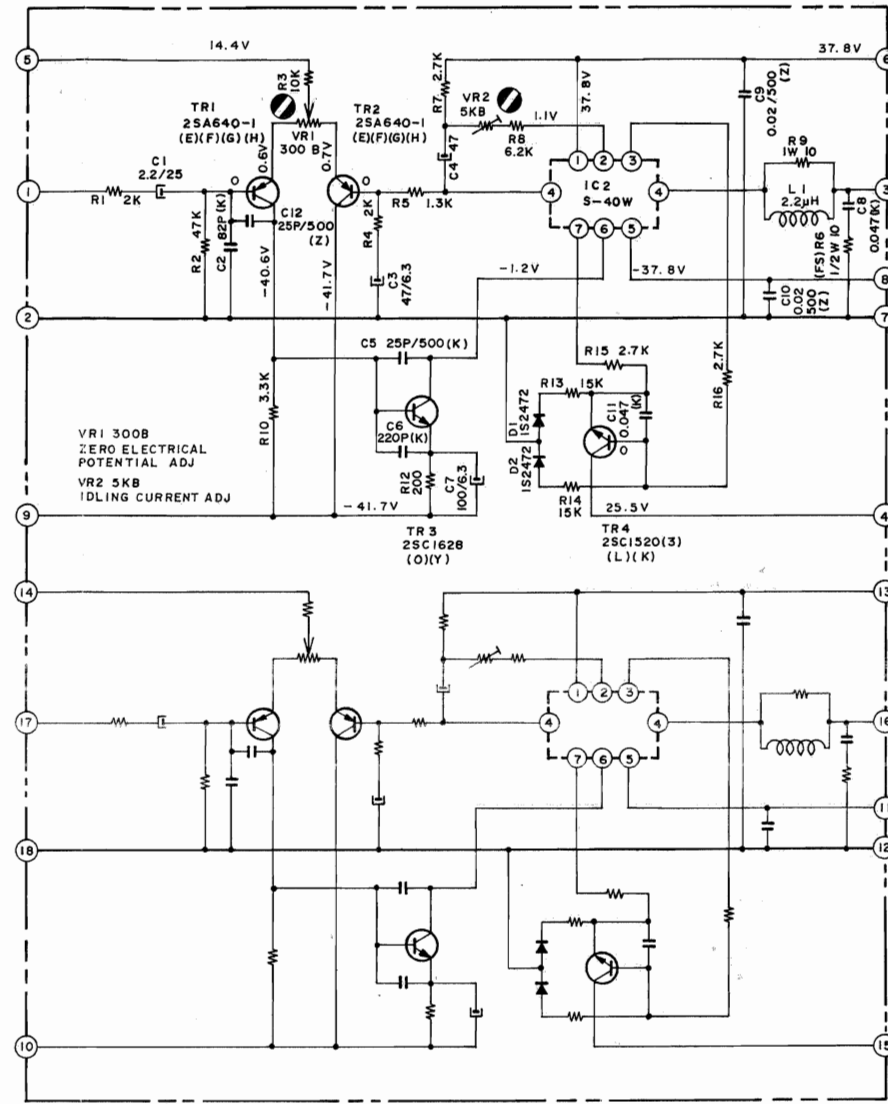
NOTE
UNLESS OTHERWISE SPECIFIED
ALL RESISTORS IN OHMS 1/4 W (J)
ALL CAPACITORS IN μ F 50WV (J)

DOLBY N.R. P.C BOARD AA-5408

AS-1080DB
DOLBY N. R.
SCHEMATIC DIAGRAM
No. 11-9 1520614A



AS-1080/DB MAIN AMPLIFIER PC BOARD AA-5417

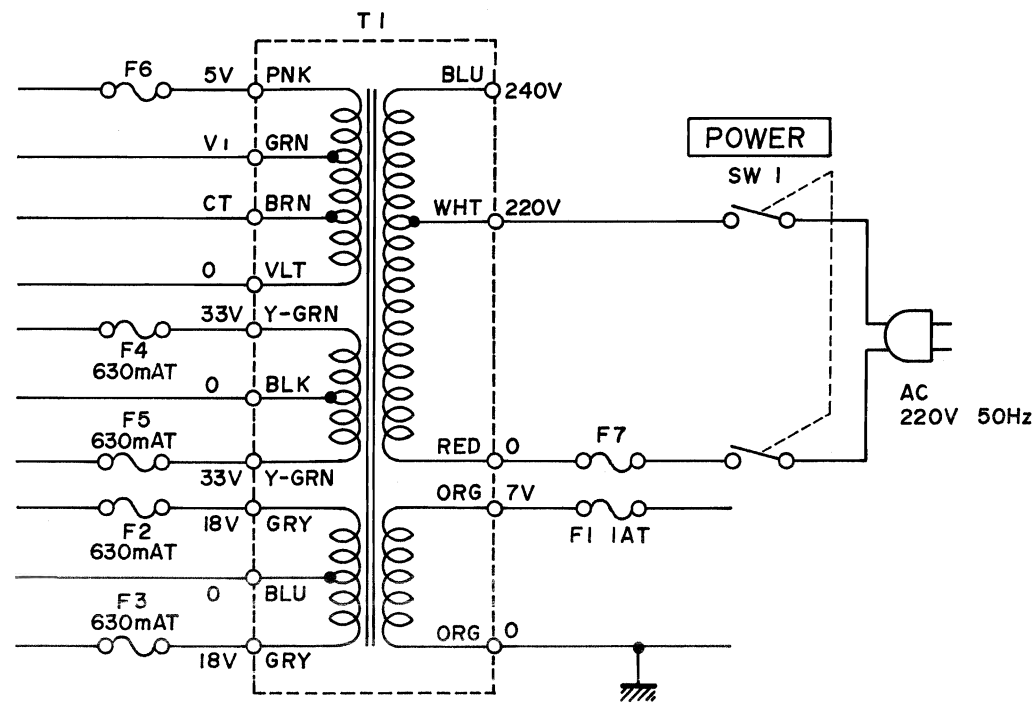


AS-1070 MAIN AMPLIFIER PC BOARD AA-5417

NOTE
 1. UNLESS OTHERWISE SPECIFIED
 ALL RESISTORS IN OHMS 1/4W(J)
 ALL CAPACITORS IN μ F 50WV(J)
 2. FS= FAIL SAFE RESISTOR

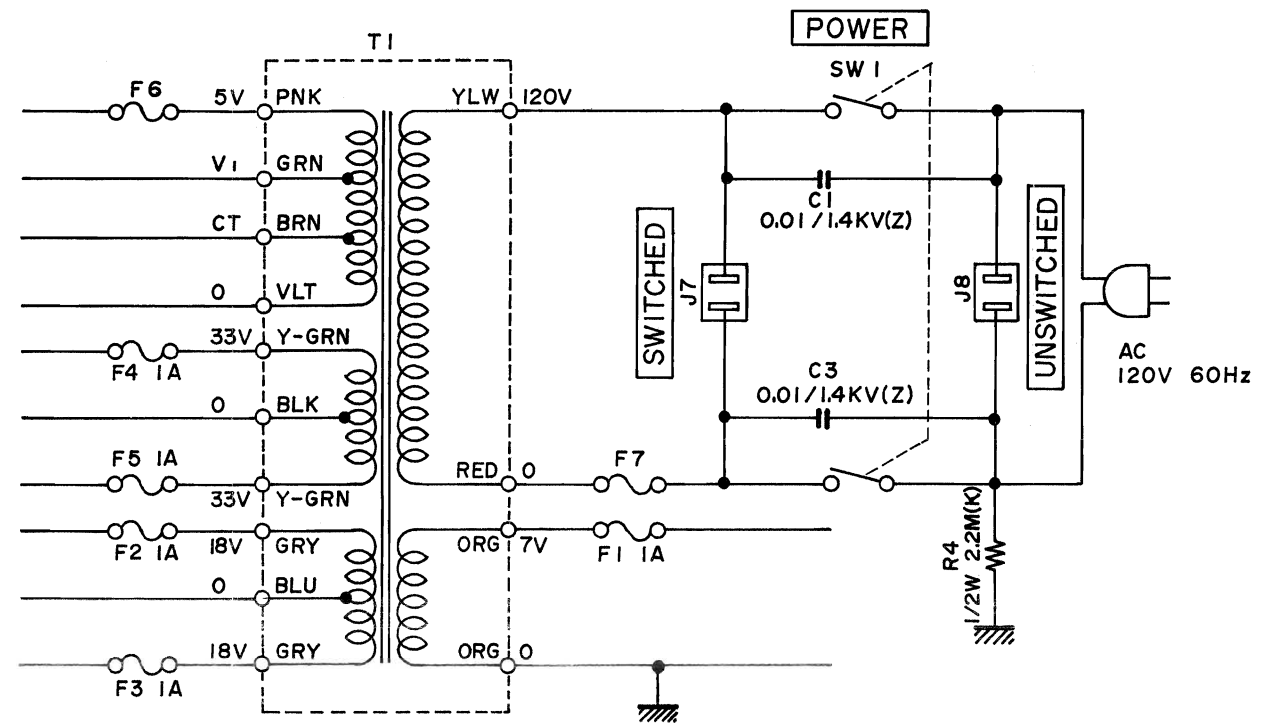
AS-1080/DB/1070
 MAIN AMP
 SCHEMATIC DIAGRAM
 NO.11-10 1520615A
 2C

AS-1080/DB/1070



CEE

MODEL	T I	V _i	F6	F7
AS-1080/DB	AS-1080T-3	60V	1.6AT	4AT
AS-1070	AS-1070T-3	52V	1.25AT	3.15AT



CSA

MODEL	T I	V _i	F6	F7
AS-1080/DB	AS-1080T-2	60V	2.5A	7A
AS-1070	AS-1070T-2	52V	2 A	5 A

NOTE
POWER TRANSFORMER BLOCK IS
DIFFERENT ACCORDING AREA

AS-1080/DB/1070
POWER TRANS
SCHEMATIC DIAGRAM
NO.11-11 1520616A