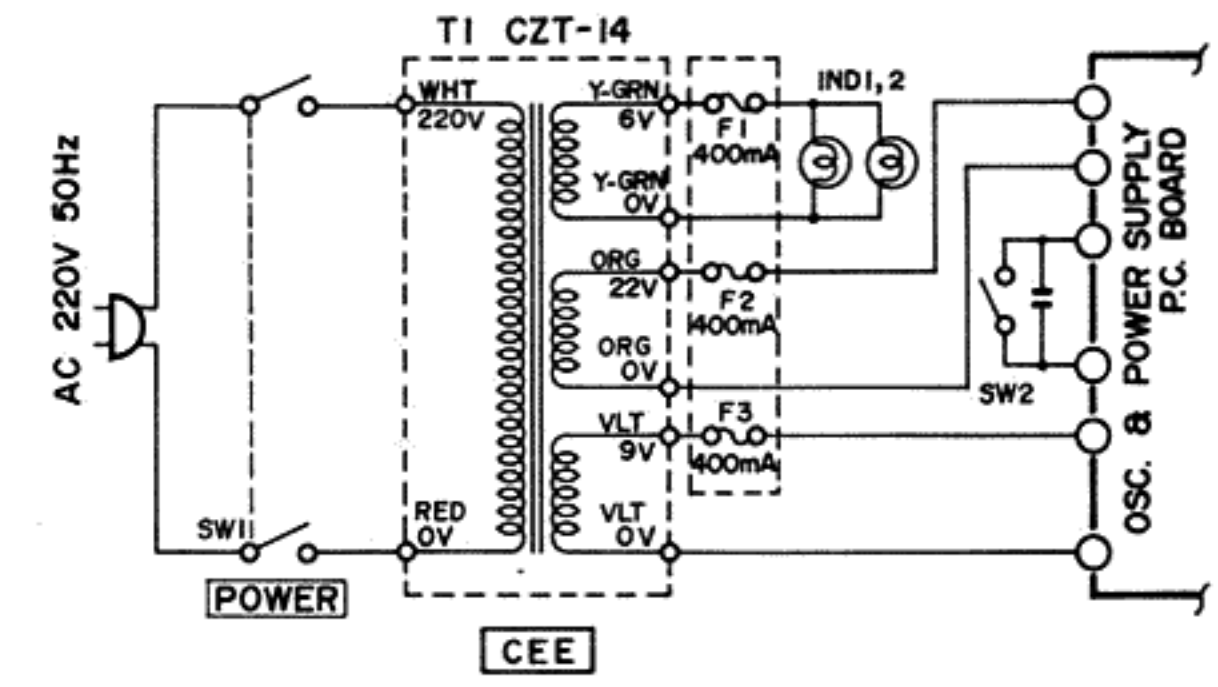
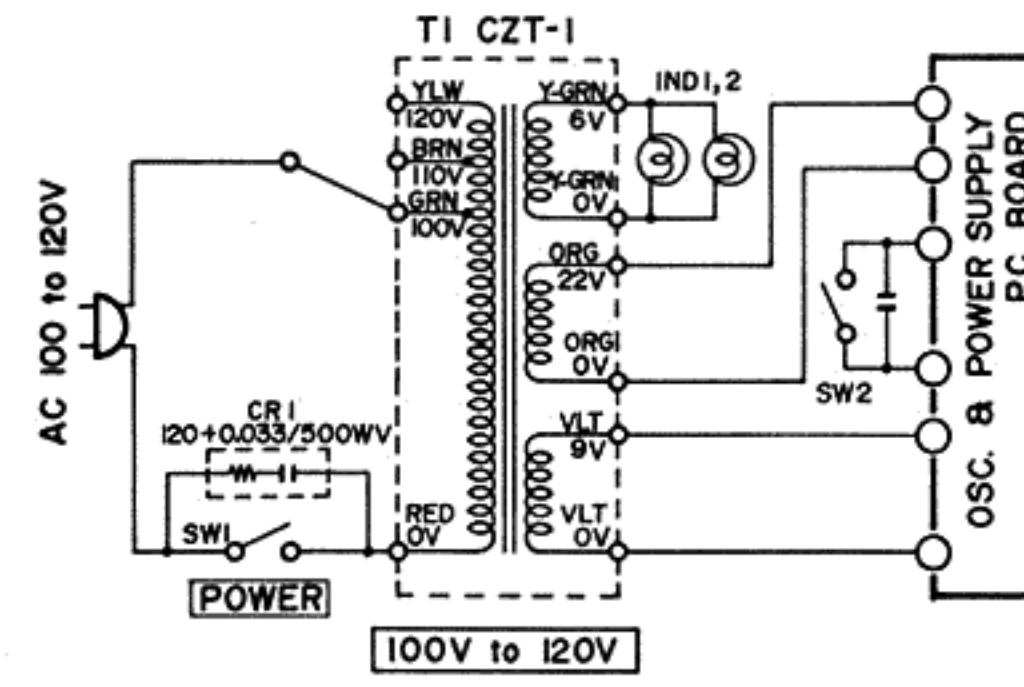
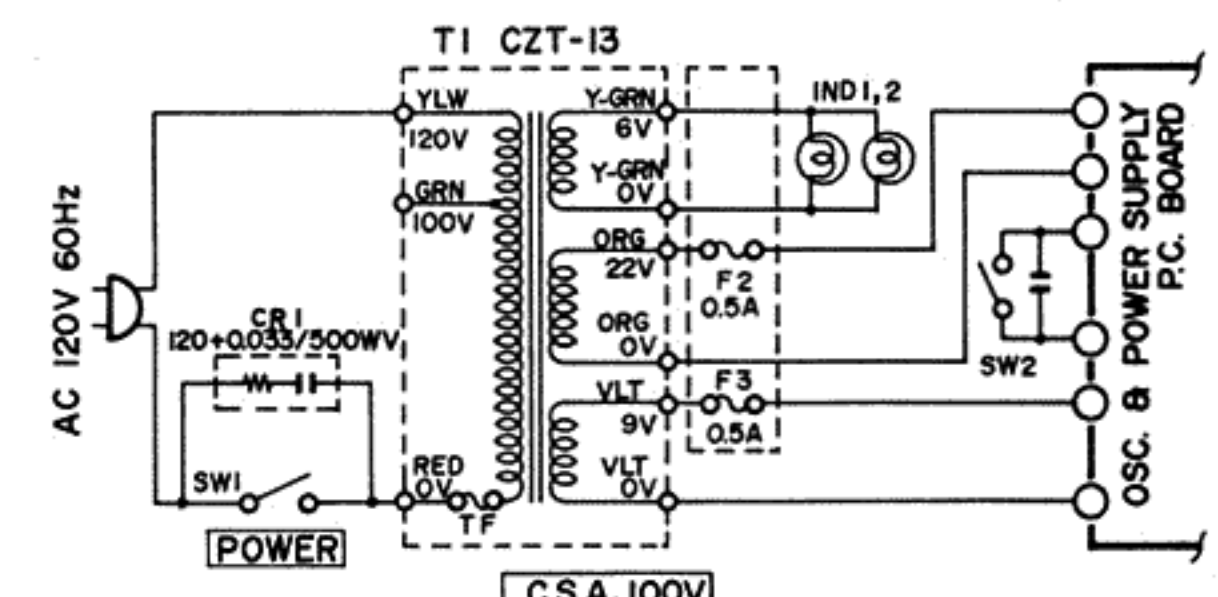
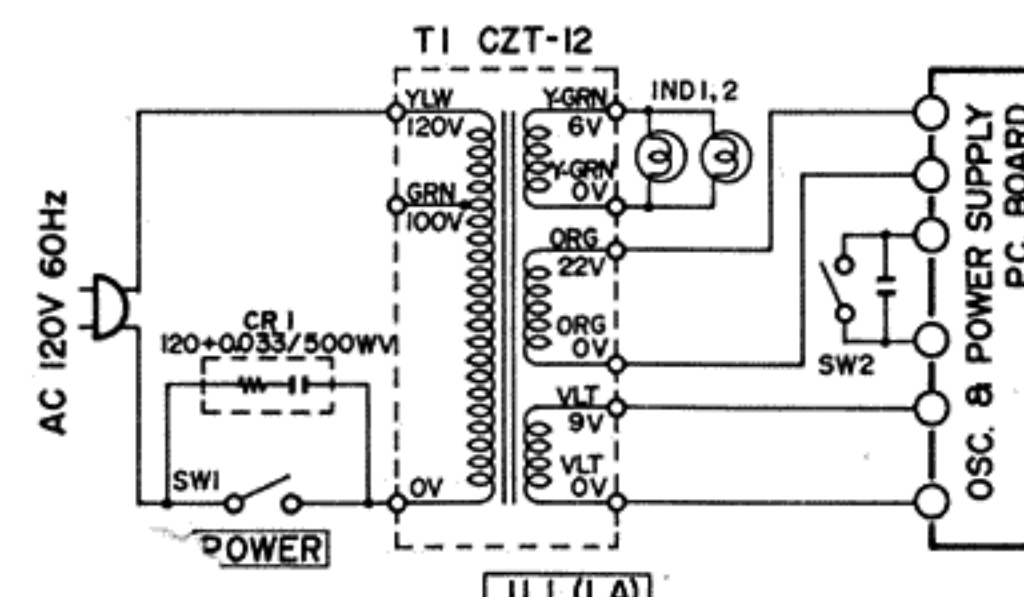
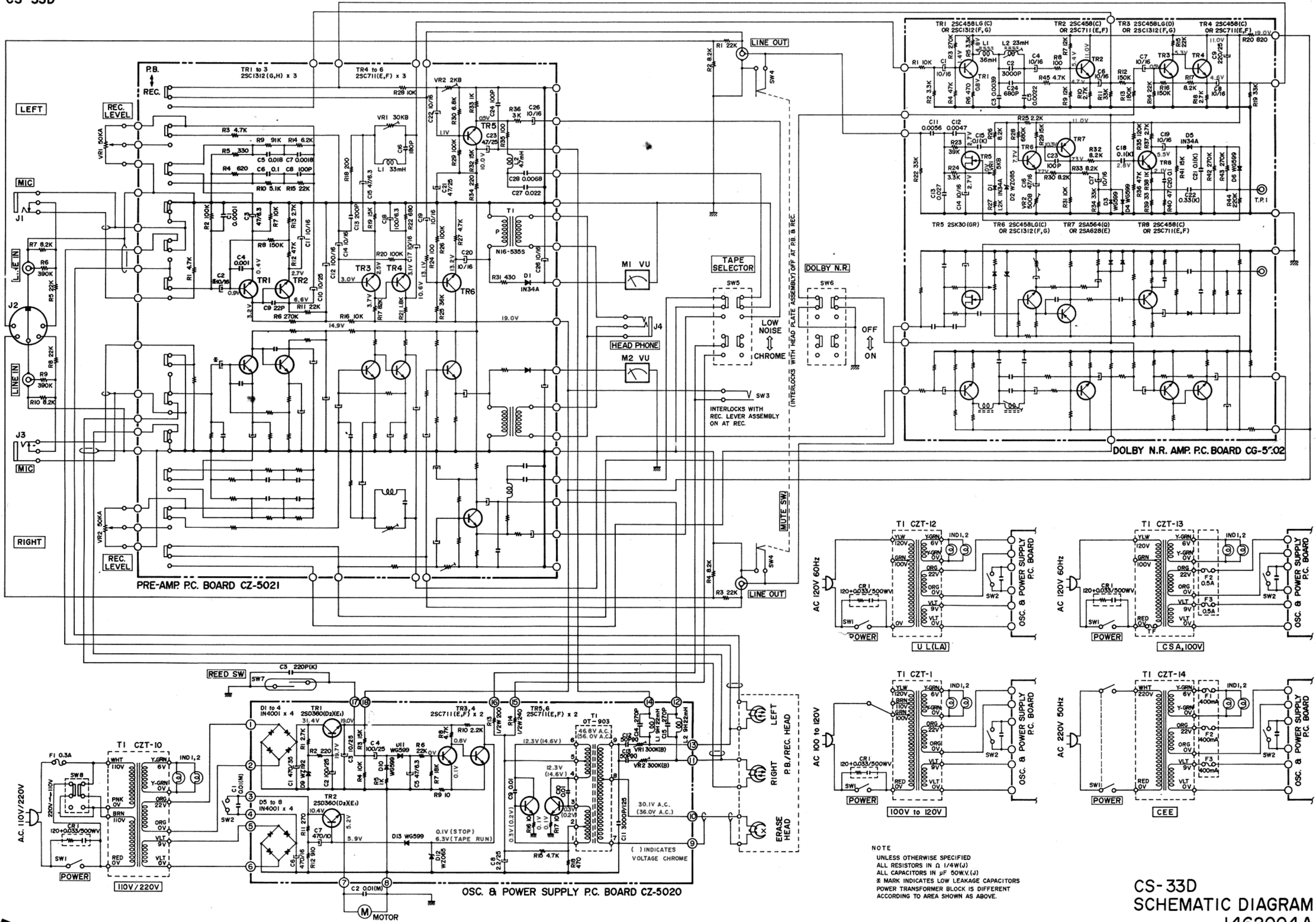


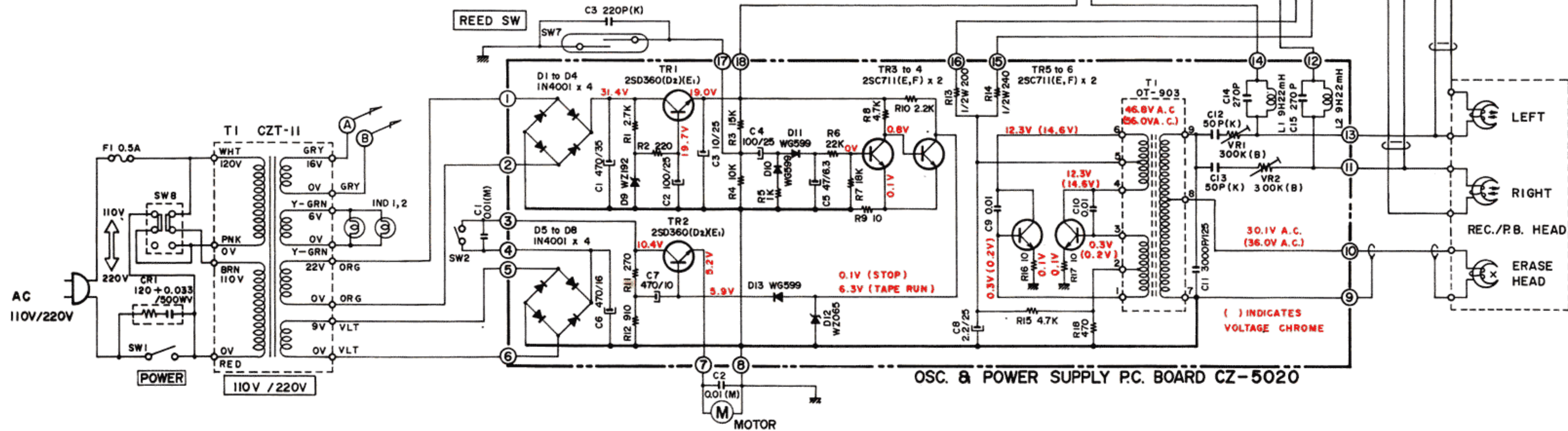
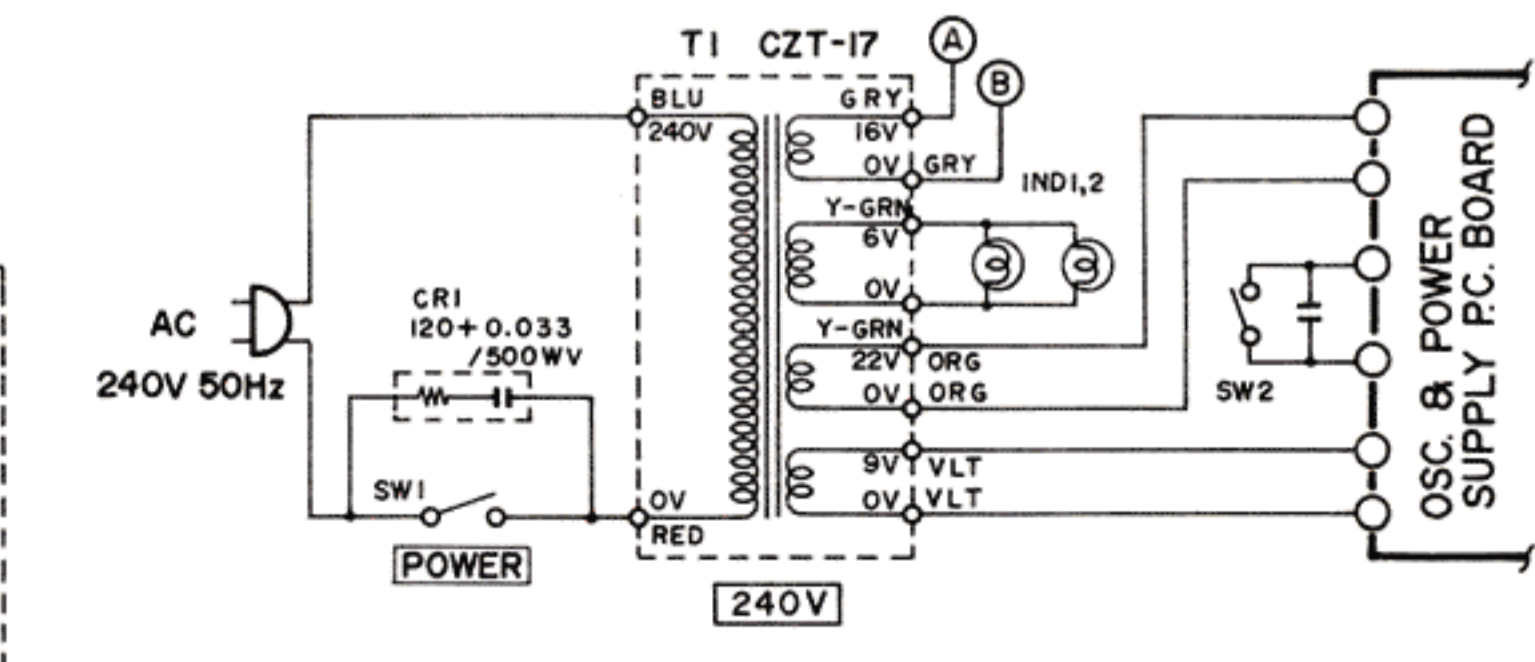
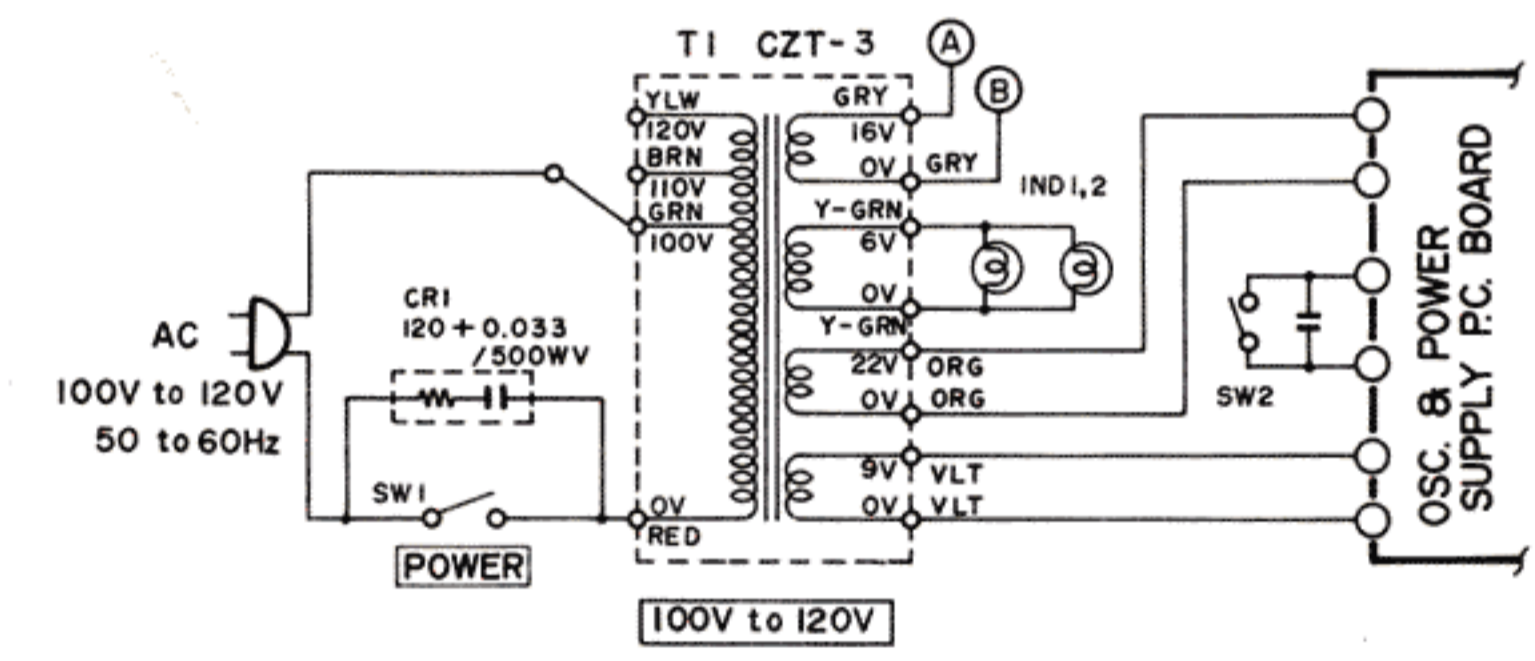
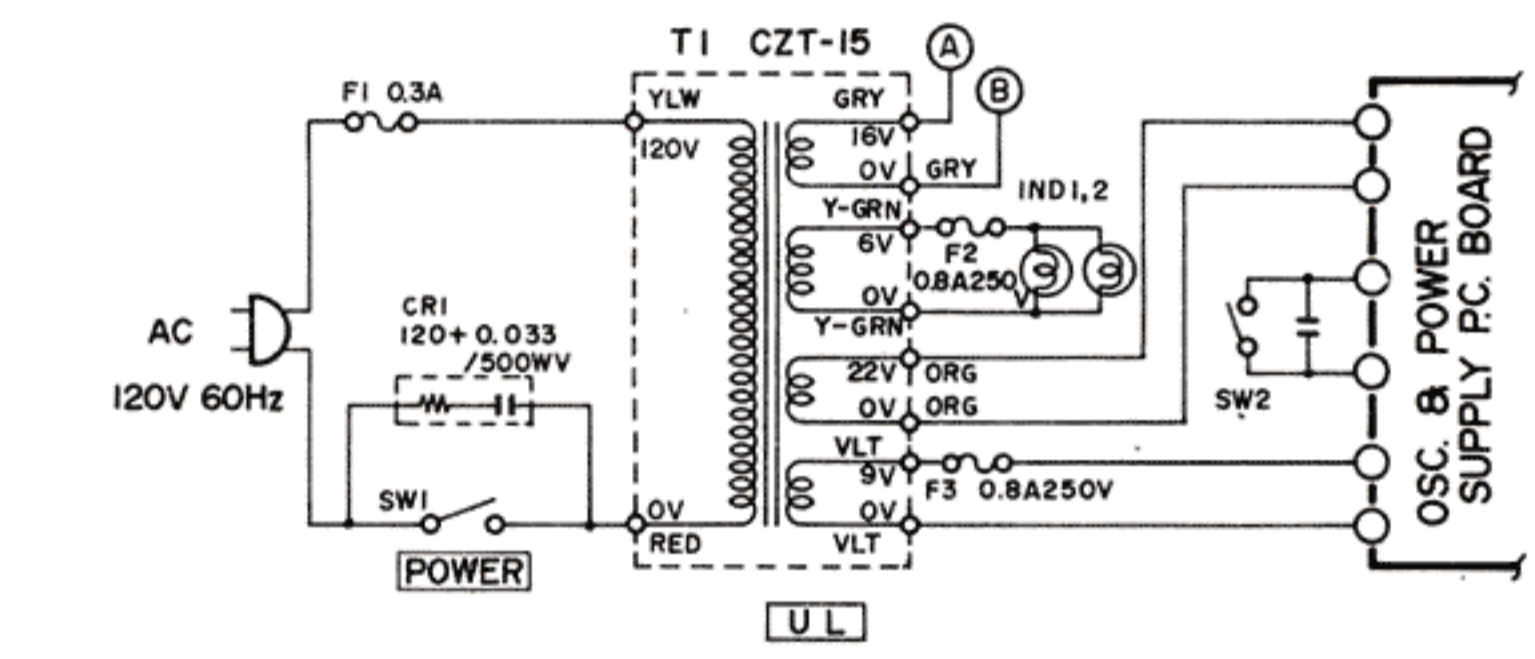
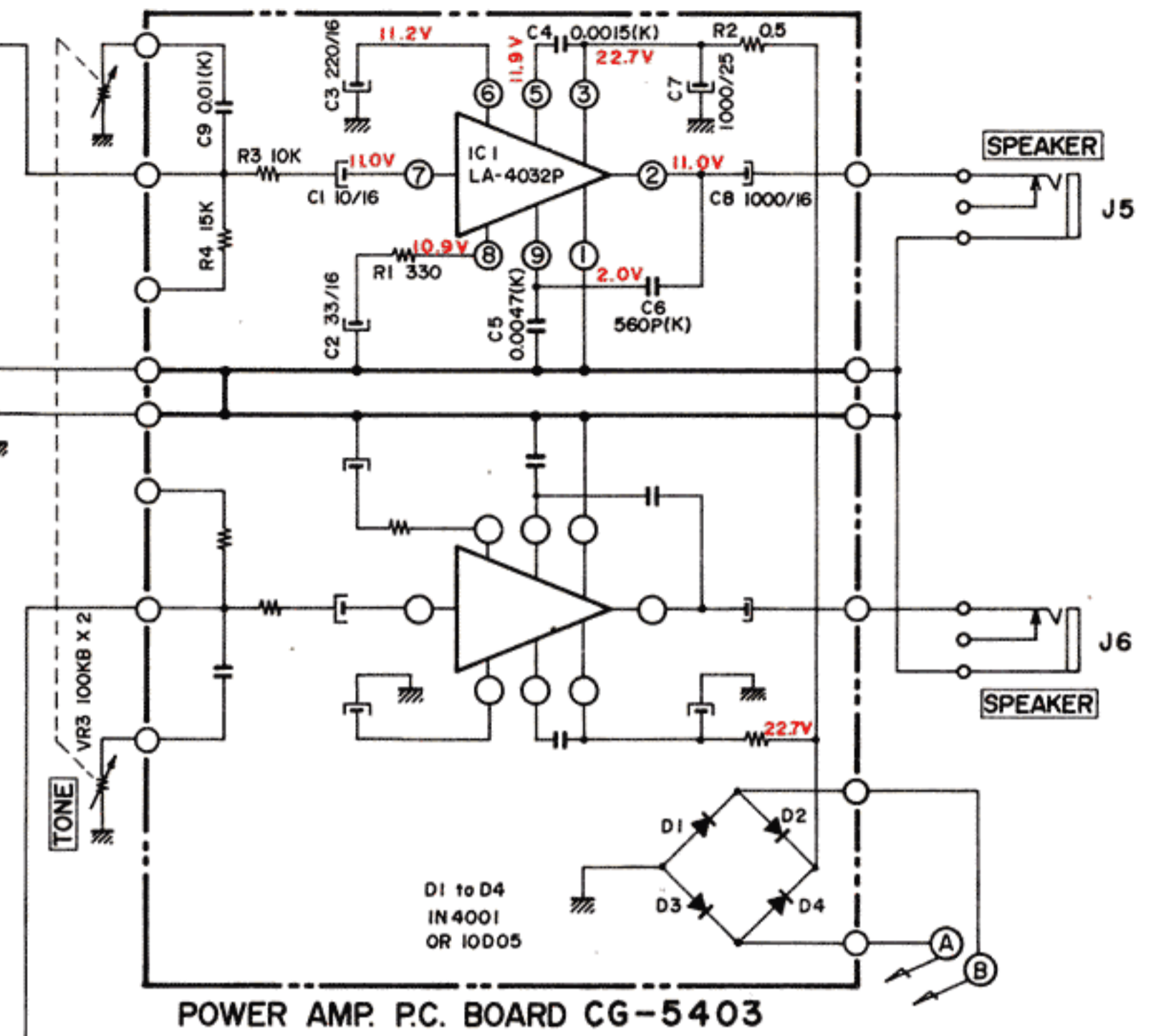
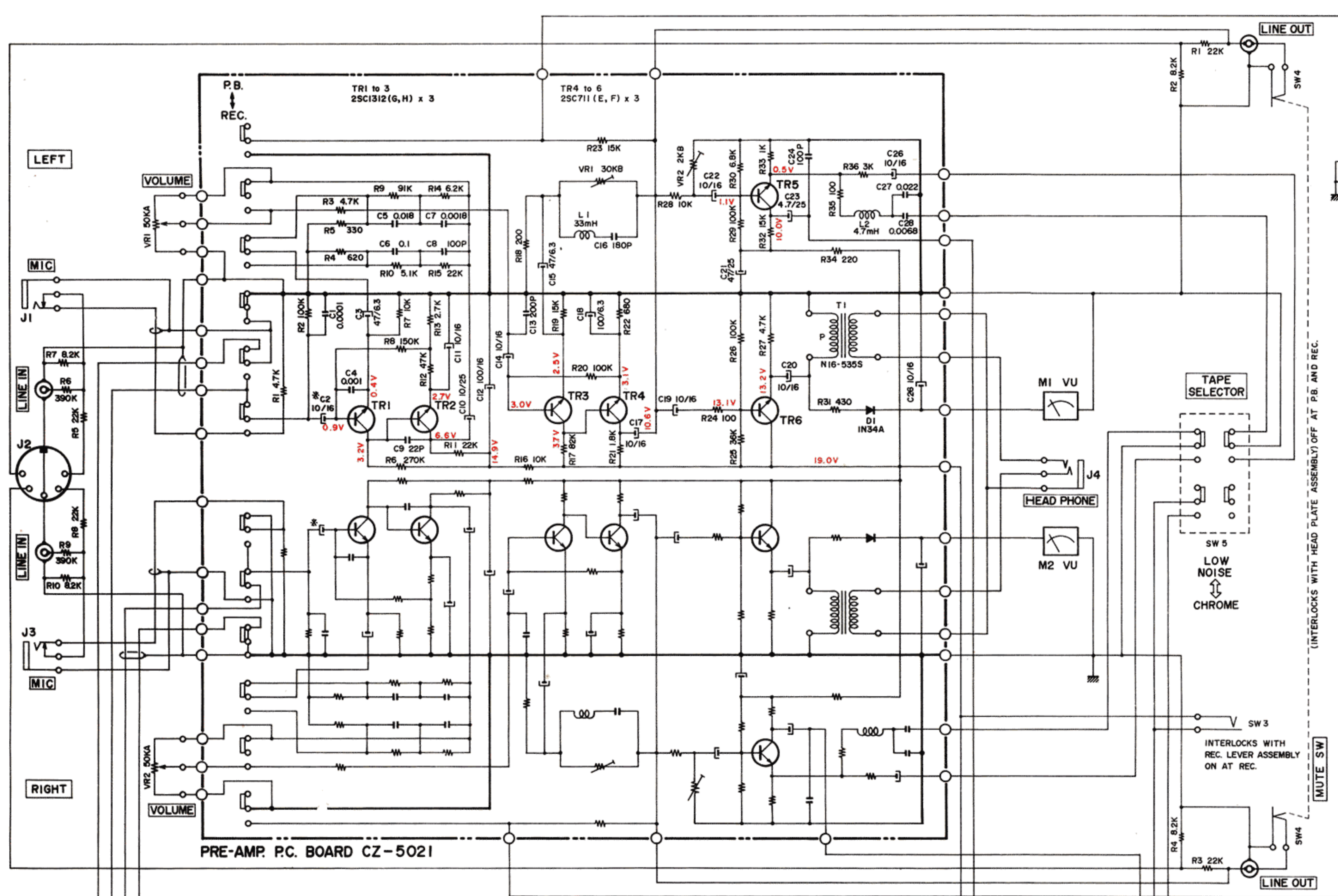
SECTION 4

SCHEMATIC DIAGRAM

1. CS-33D SCHEMATIC DIAGRAM 1462004A
2. CS-30 SCHEMATIC DIAGRAM No. 2-1 1462002A
3. CS-30D SCHEMATIC DIAGRAM No. 2-2 1462003A



NOTE
 UNLESS OTHERWISE SPECIFIED
 ALL RESISTORS IN Ω 1/4W(J)
 ALL CAPACITORS IN μ F 50WV(J)
 * MARK INDICATES LOW LEAKAGE CAPACITORS
 POWER TRANSFORMER BLOCK IS DIFFERENT
 ACCORDING TO AREA SHOWN AS ABOVE.



NOTE
UNLESS OTHERWISE SPECIFIED
ALL RESISTORS IN Ω 1/4W(J)
ALL CAPACITORS IN μF 50W.V.(J)
* MARK INDICATES LOW LEAKAGE CAPACITORS
POWER TRANSFORMER BLOCK IS DIFFERENT
ACCORDING TO AREA SHOWN AS ABOVE.

