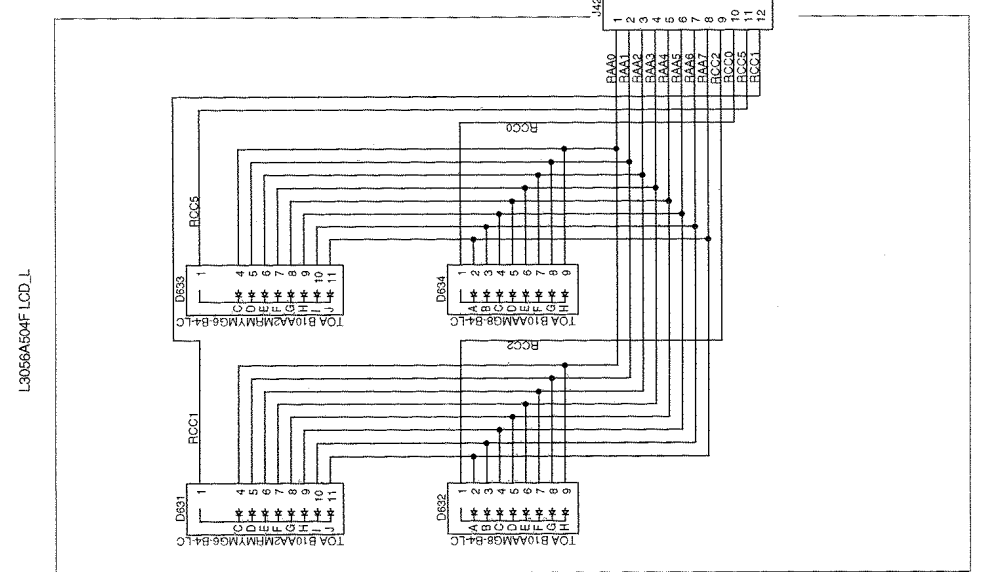
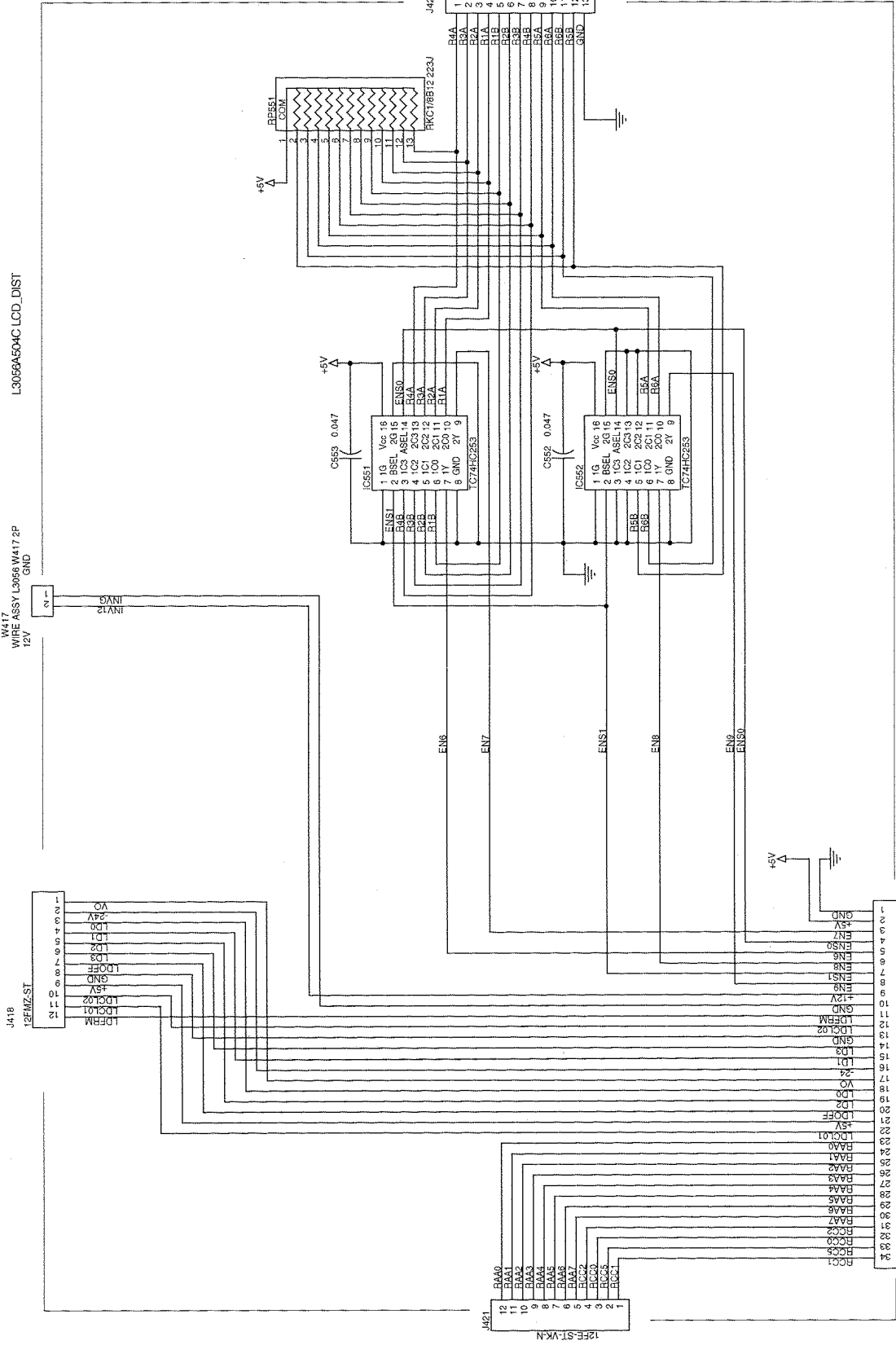
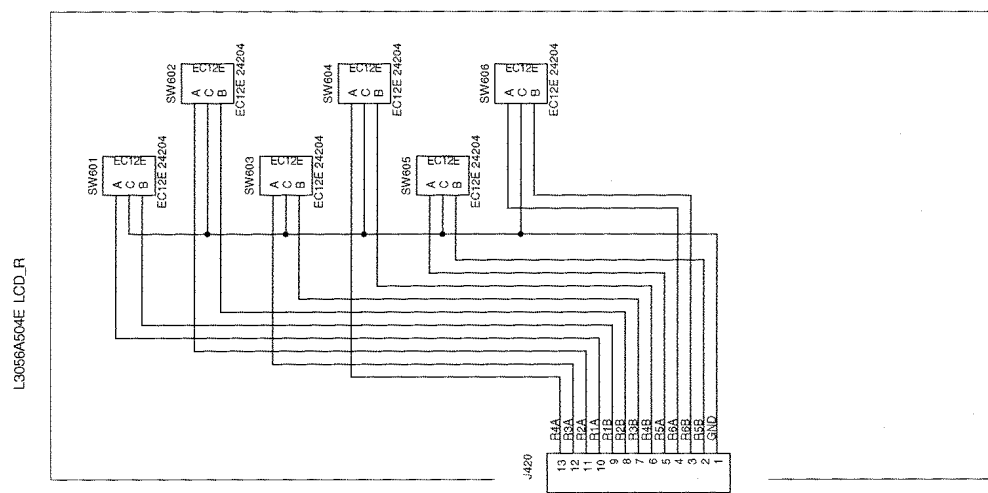
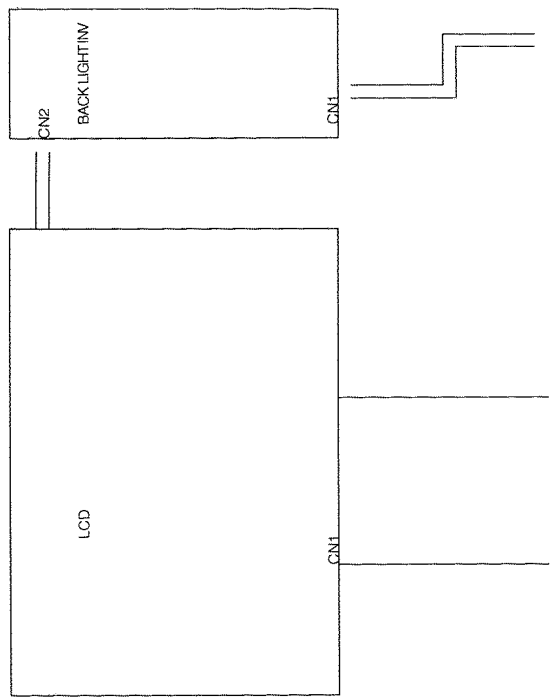


PC COMBO  
L3096A5084

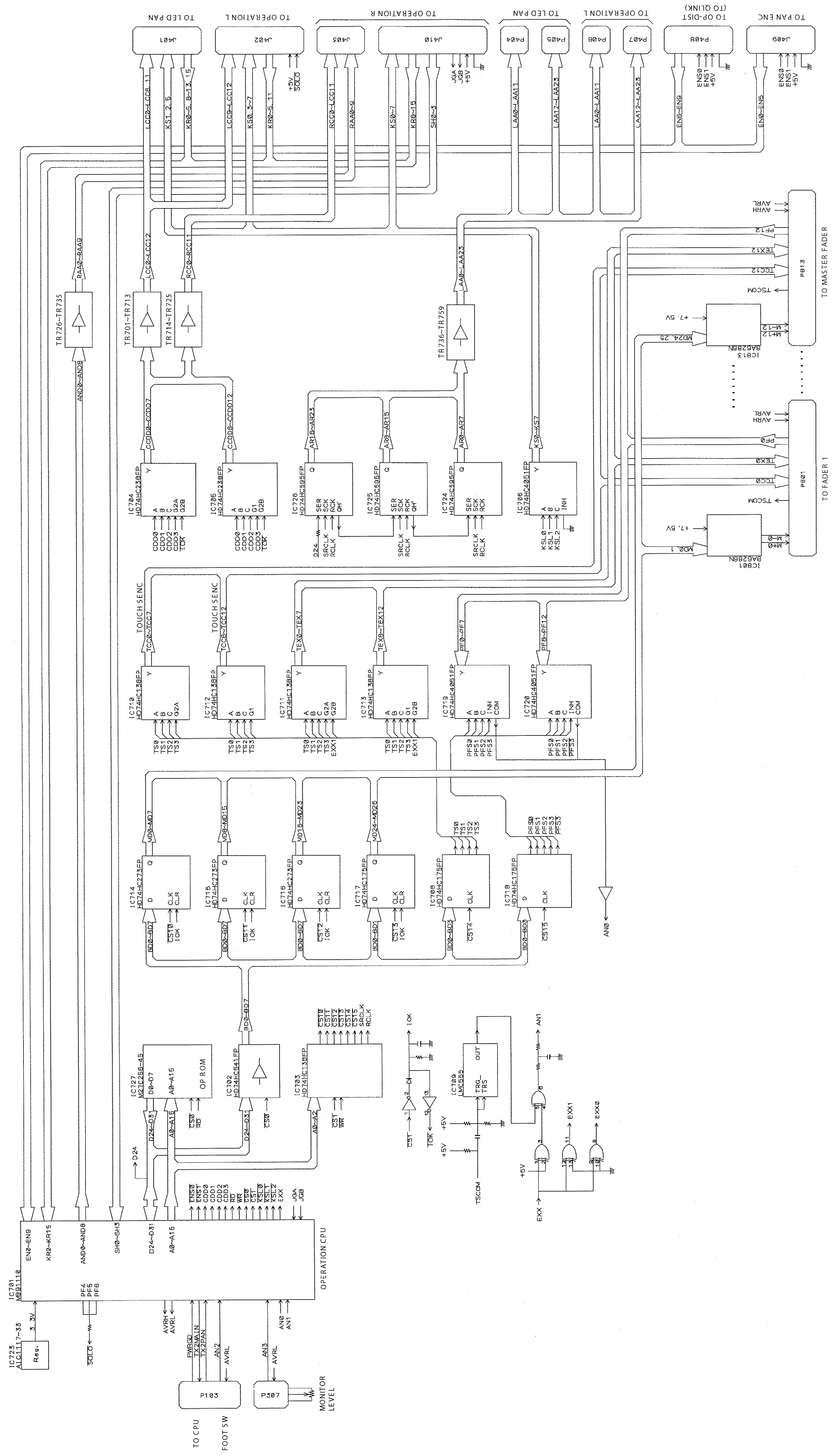
PC PHONE  
L3096A5089

NOTE:  
UNLESS OTHERWISE SPECIFIED  
ALL RESISTORS IN OHMS (R/W/F)  
ALL CAPACITORS IN UF/50V (P-PF)  
ALL ELECTROLYTIC CAPACITORS IN UF/WV

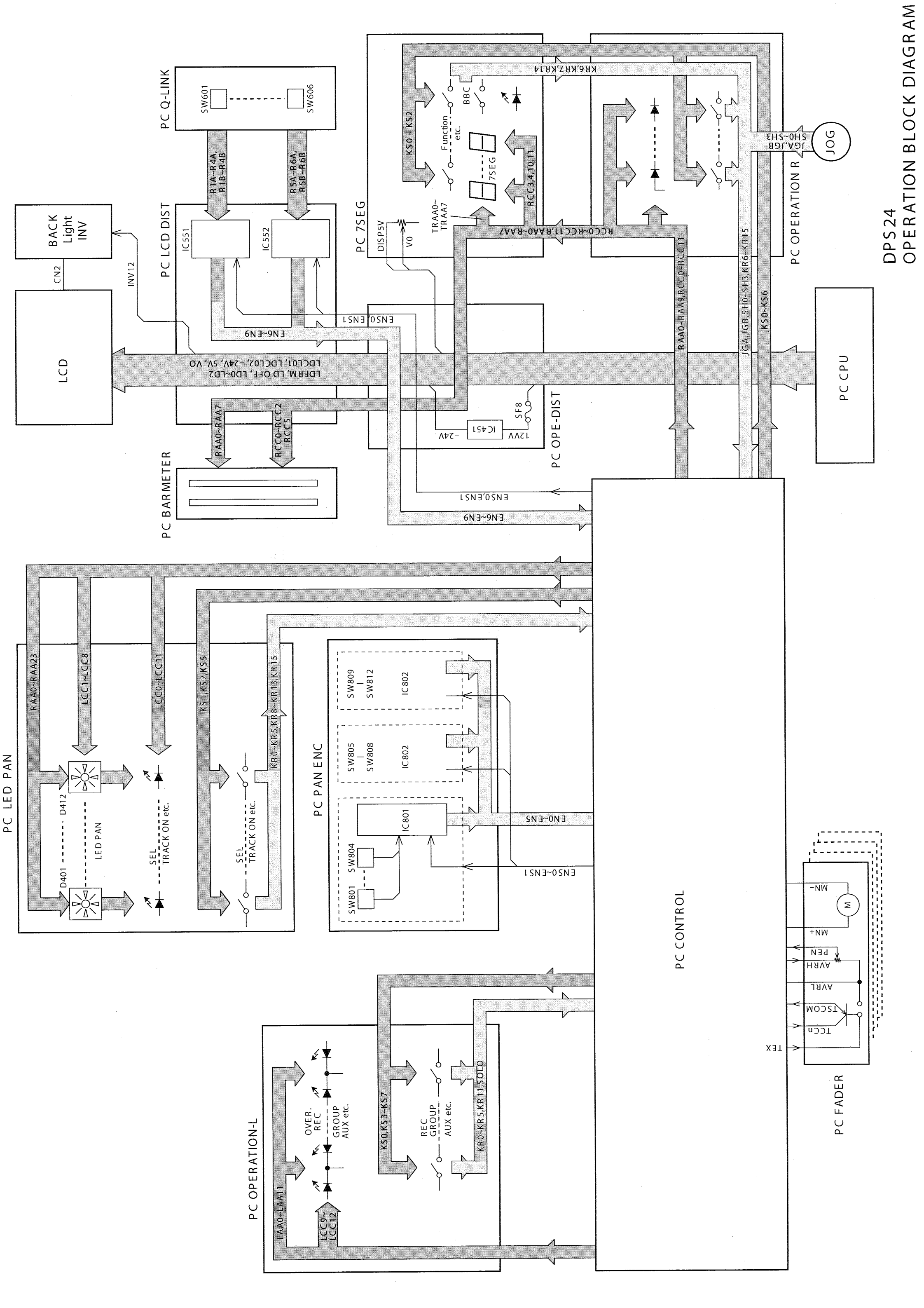
DPS24  
PC INPUT A, B  
SCHEMATIC DIAGRAM



DPS24  
PC LCD-DIST, Q-LINK  
SCHEMATIC DIAGRAM

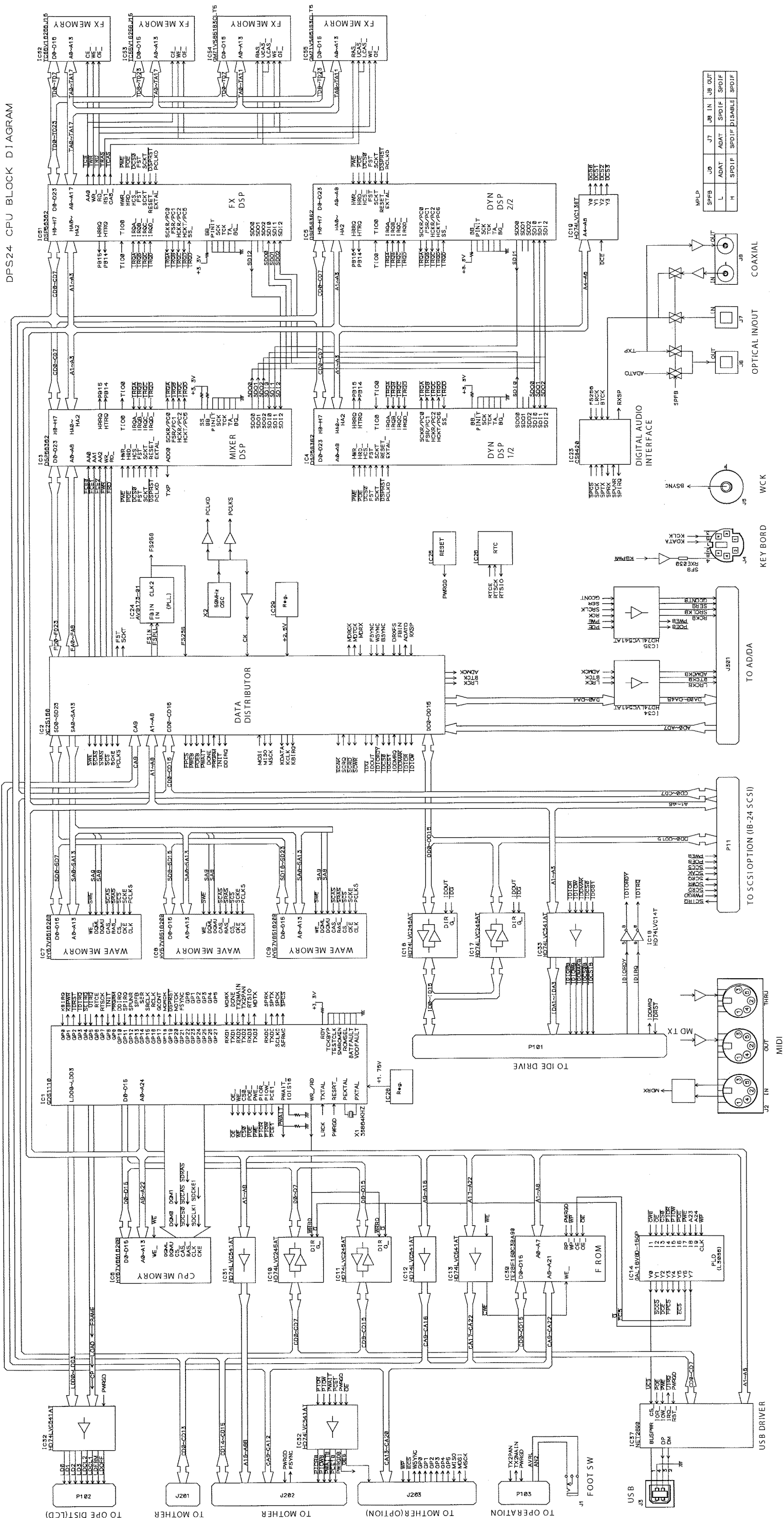


DPS24  
CONTROL BLOCK DIAGRAM



DPS24  
OPERATION BLOCK DIAGRAM

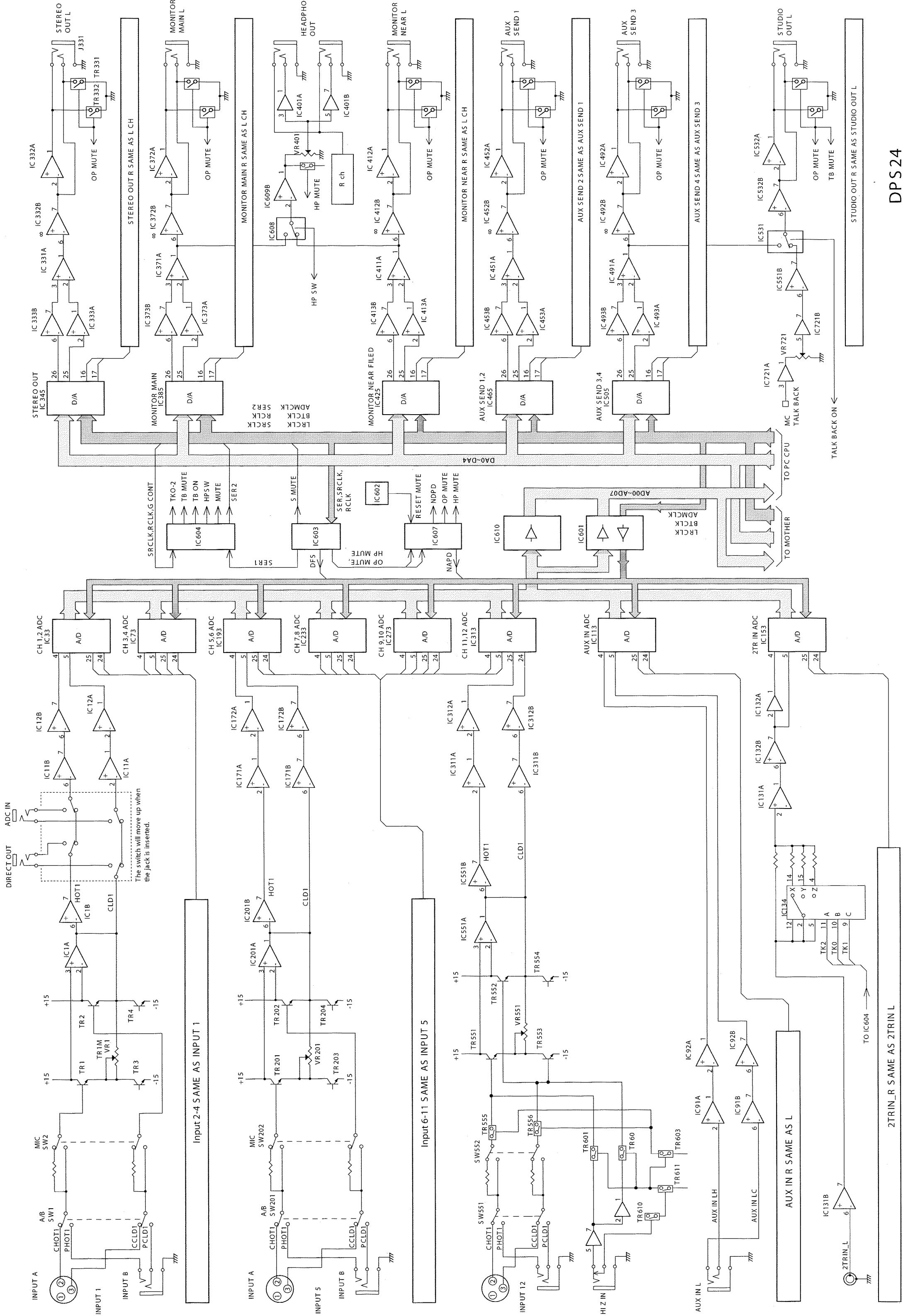
DPS24 CPU BLOCK DIAGRAM

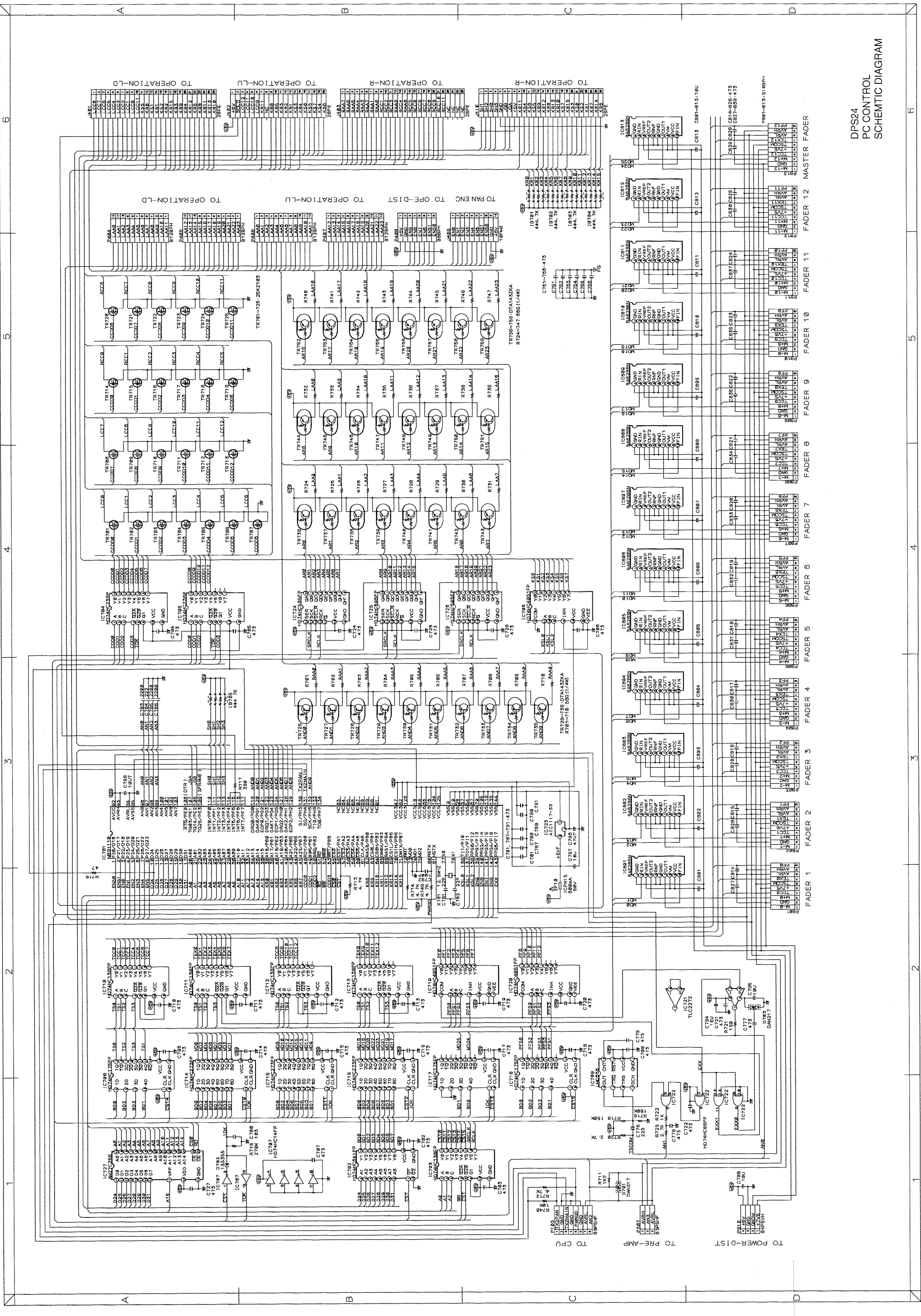


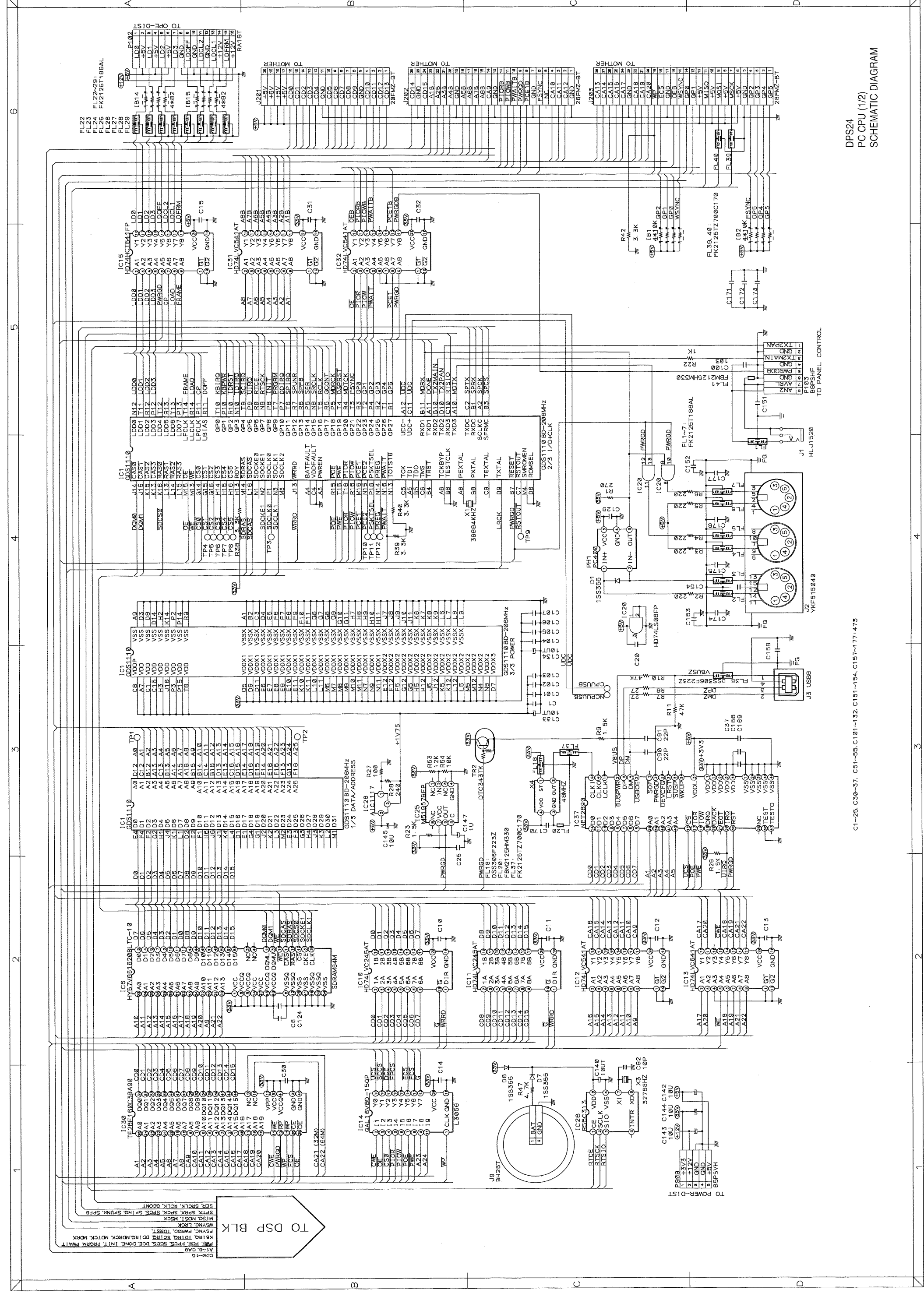
SPFB	J0	J7	J8	J9	J10	J11	J12
L	ADAT	ADAT	SPDIF	SPDIF	SPDIF	SPDIF	SPDIF
H	SPDIF	SPDIF	DISABLE	SPDIF	SPDIF	SPDIF	SPDIF

WCK	J5
KEY BORD	J5
COAXIAL	J6
OPTICAL IN/OUT	J7
MIDI	J2
TO MOTHER	J201, J202, J203, J204
TO OPERATION	P103
TO IDE DRIVE	IC21, IC22, IC23, IC24
TO SC51 OPTION (IB-24 SCSI)	P11
TO ADDA	IC15, IC16, IC17, IC18, IC19
USB DRIVER	IC20

USB	J5
NET2882	IC14
FROM	IC14
TO MOTHER (OPTION)	J204
TO MOTHER	J201, J202, J203
TO OPERATION	P103
TO IDE DRIVE	IC21, IC22, IC23, IC24
TO SC51 OPTION (IB-24 SCSI)	P11
TO ADDA	IC15, IC16, IC17, IC18, IC19
USB DRIVER	IC20



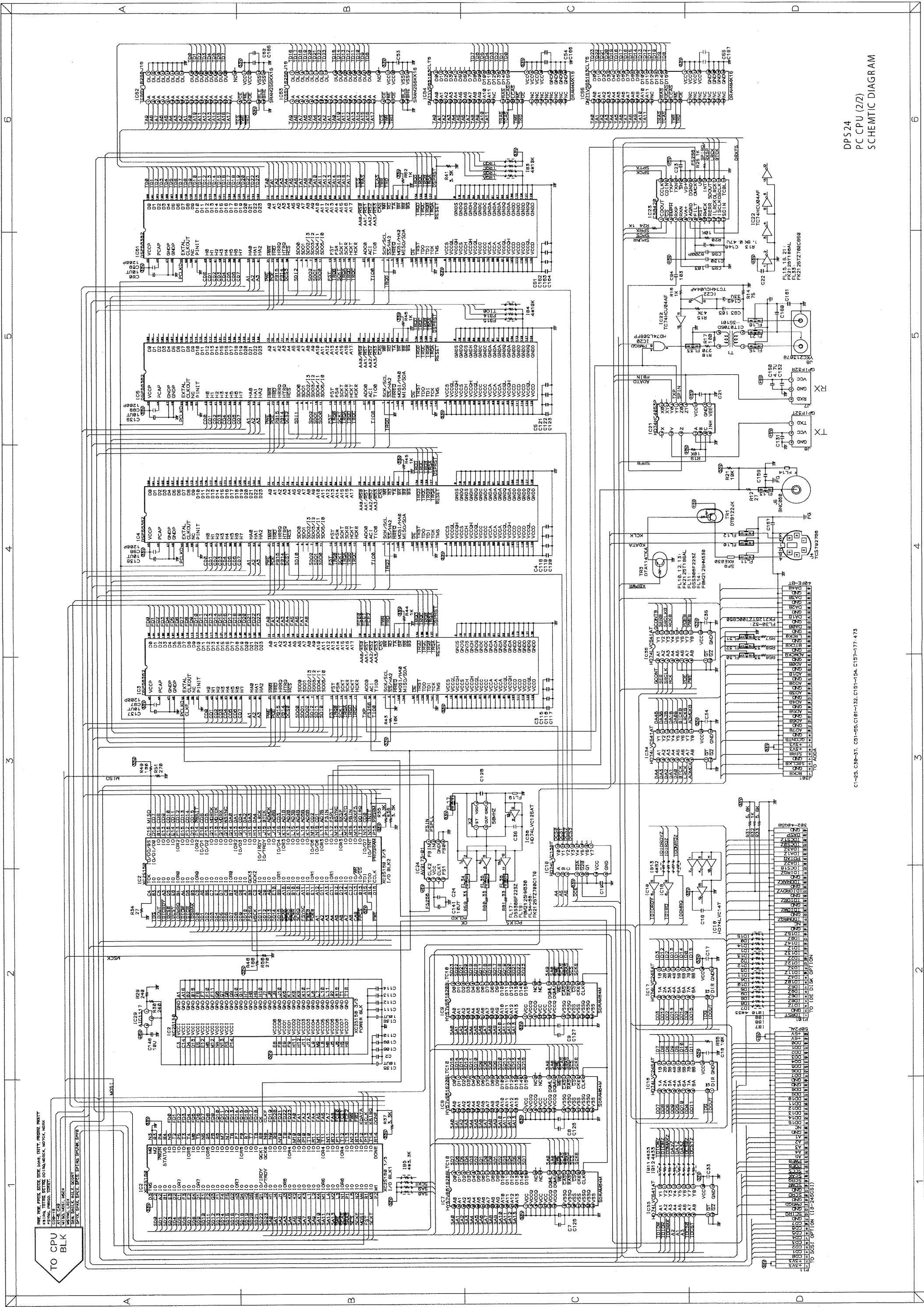




DPS24  
PC CPU (1/2)  
SCHEMATIC DIAGRAM

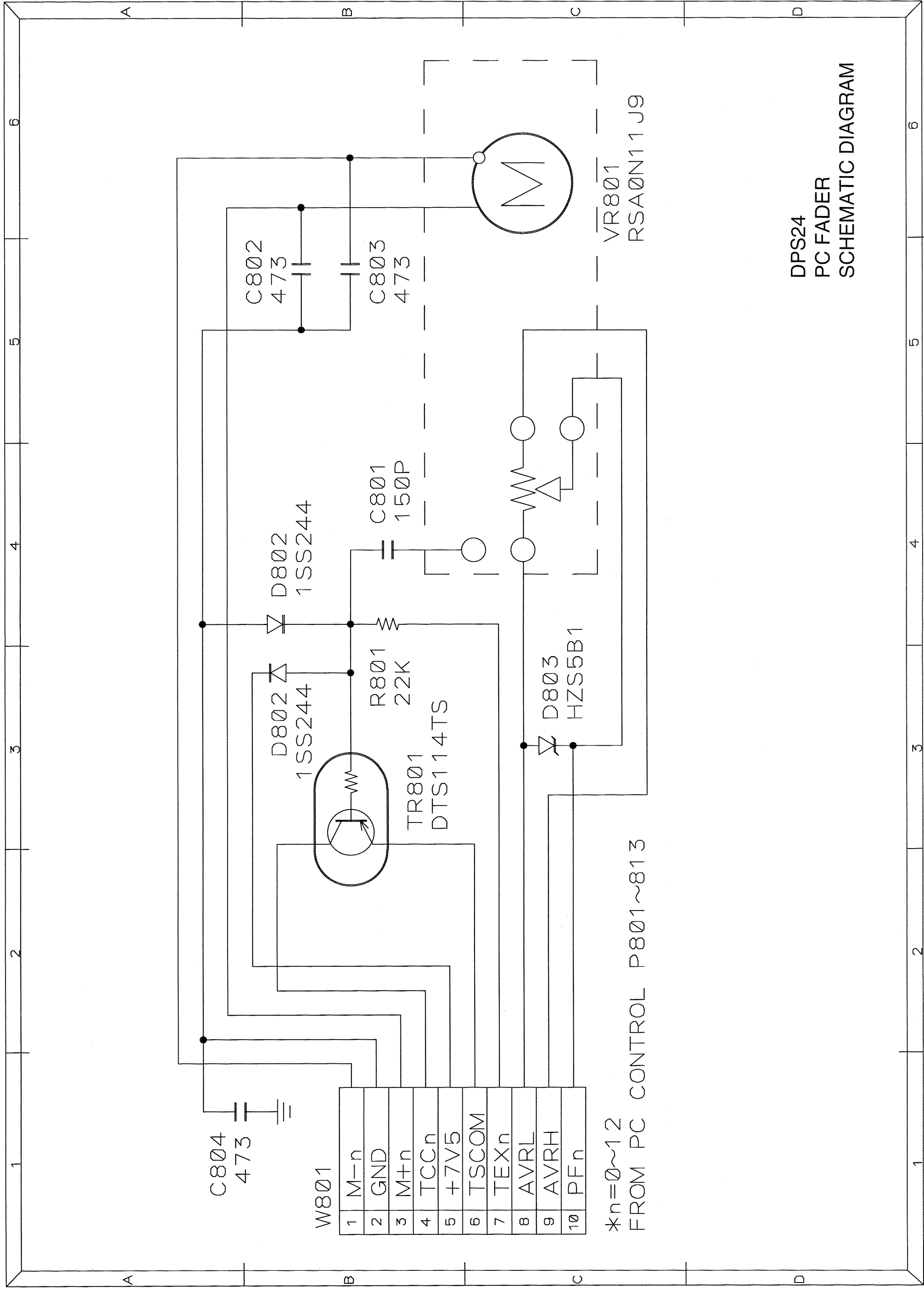
C1-25, C30-37, C51-55, C101-132, C151-154, C157-177, 475





DPS 24  
PC CPU (2/2)  
SCHEMATIC DIAGRAM

IC-25, C39-37, C51-55, C101-132, C151-177, 473



C804  
473

W801

1	M-n
2	GND
3	M+n
4	TCCn
5	+7V5
6	TSCOM
7	TEXn
8	AVRL
9	AVRH
10	PFn

\*n=0~12  
FROM PC CONTROL P801~813

C802  
473

D802  
1SS244

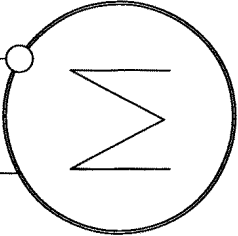
D802  
1SS244

R801  
22K

TR801  
DTS114TS

C801  
150P

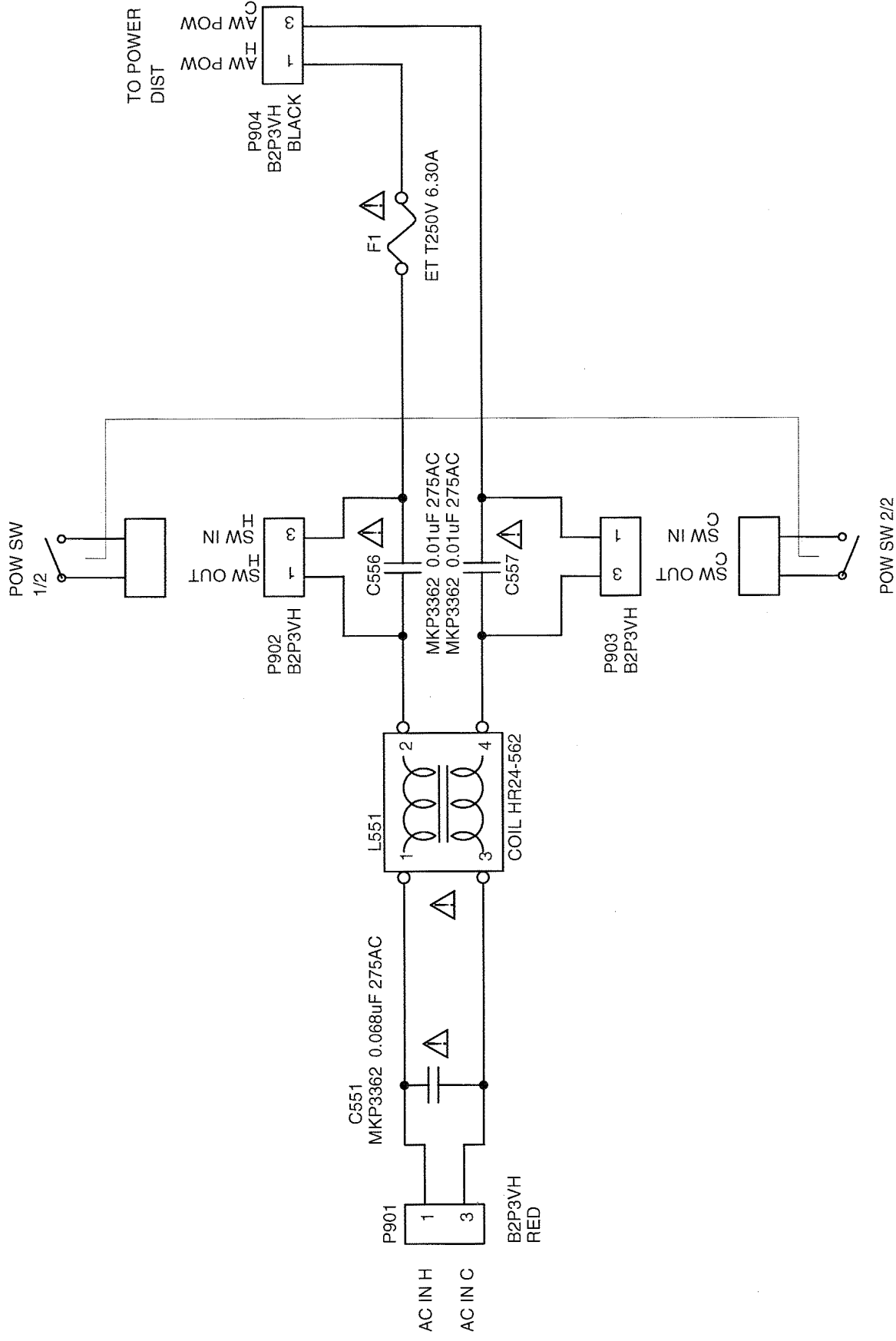
C803  
473



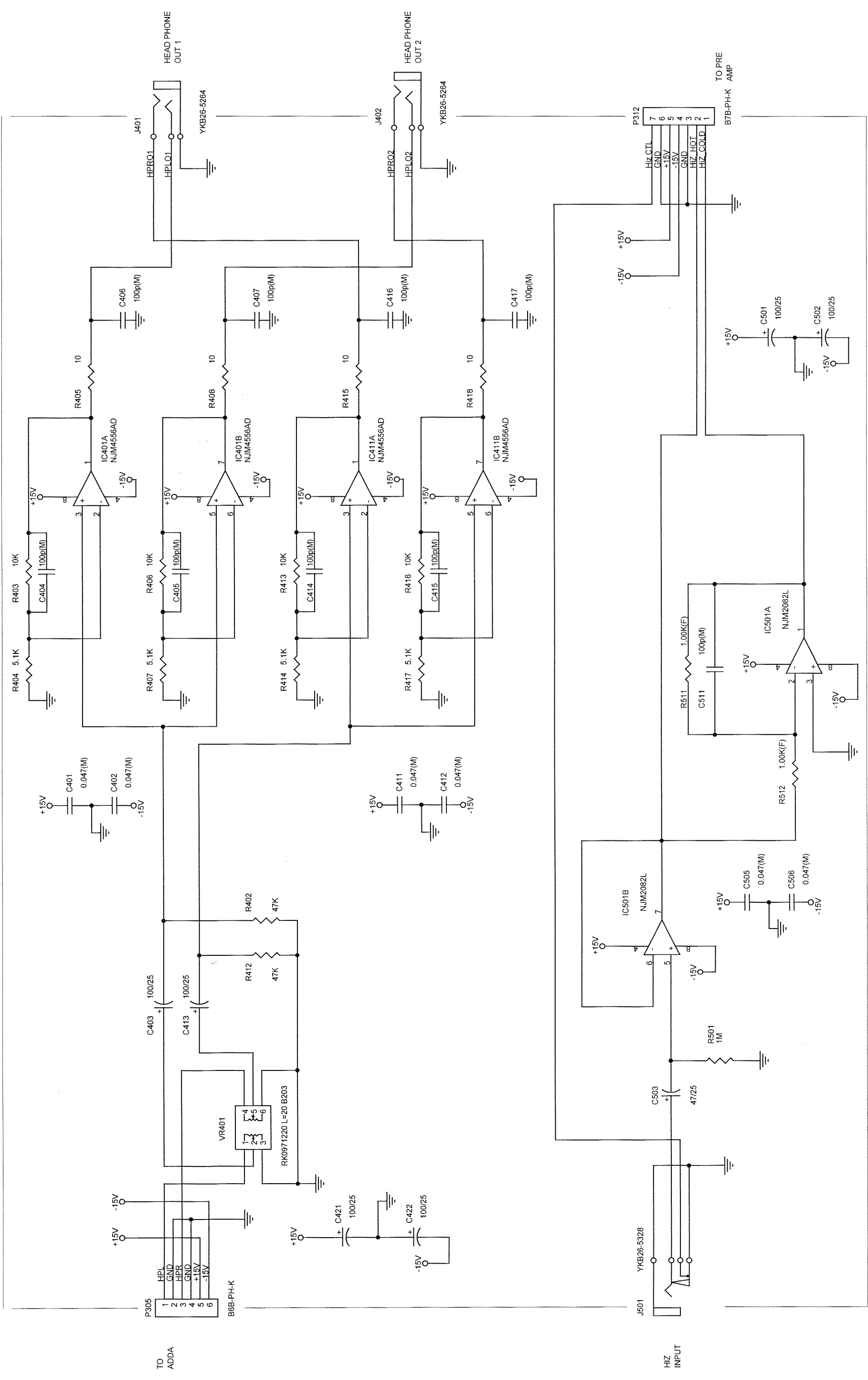
VR801  
RSA0N11J9

D803  
HZS5B1

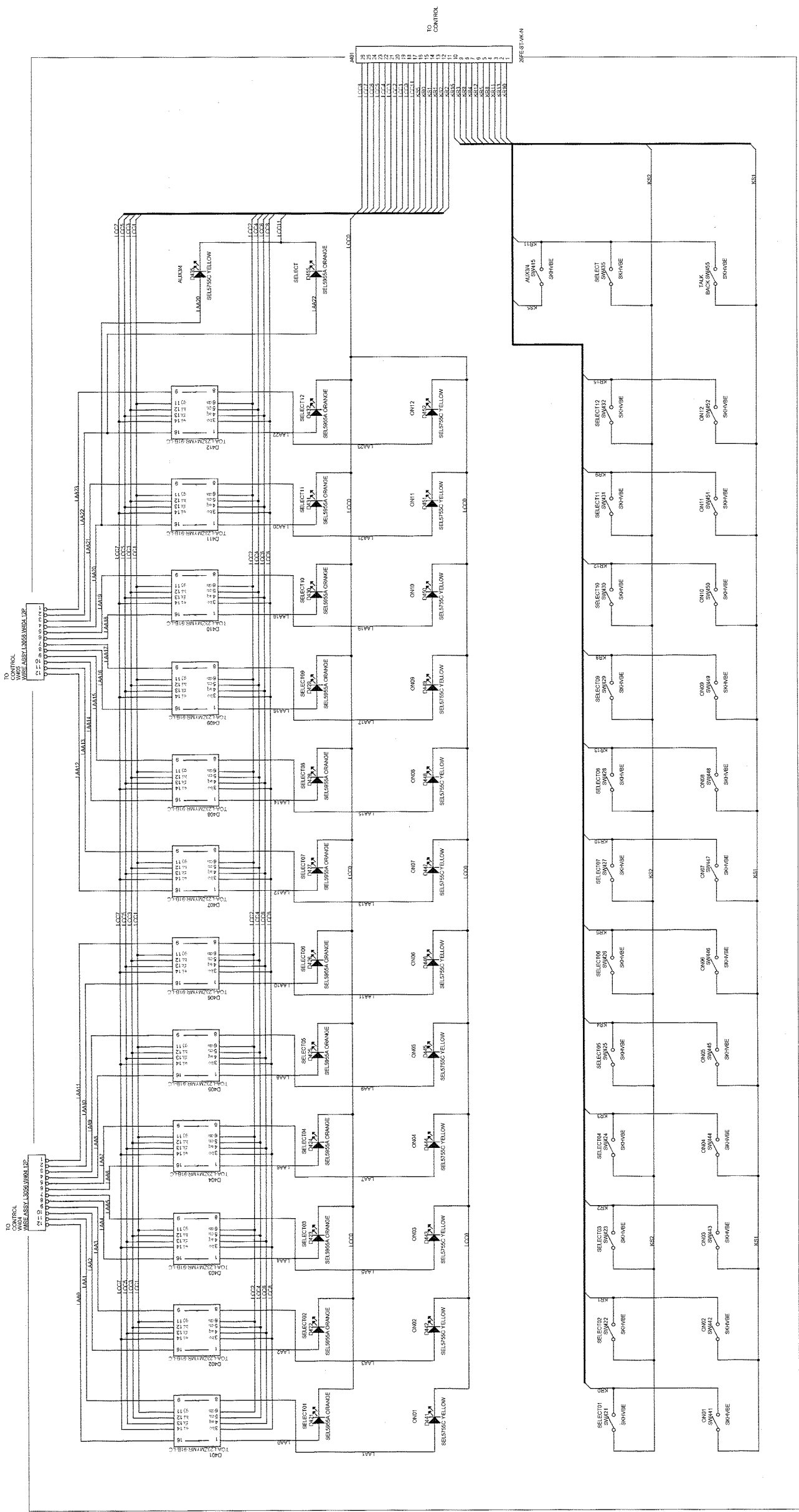
DPS24  
PC FADER  
SCHEMATIC DIAGRAM



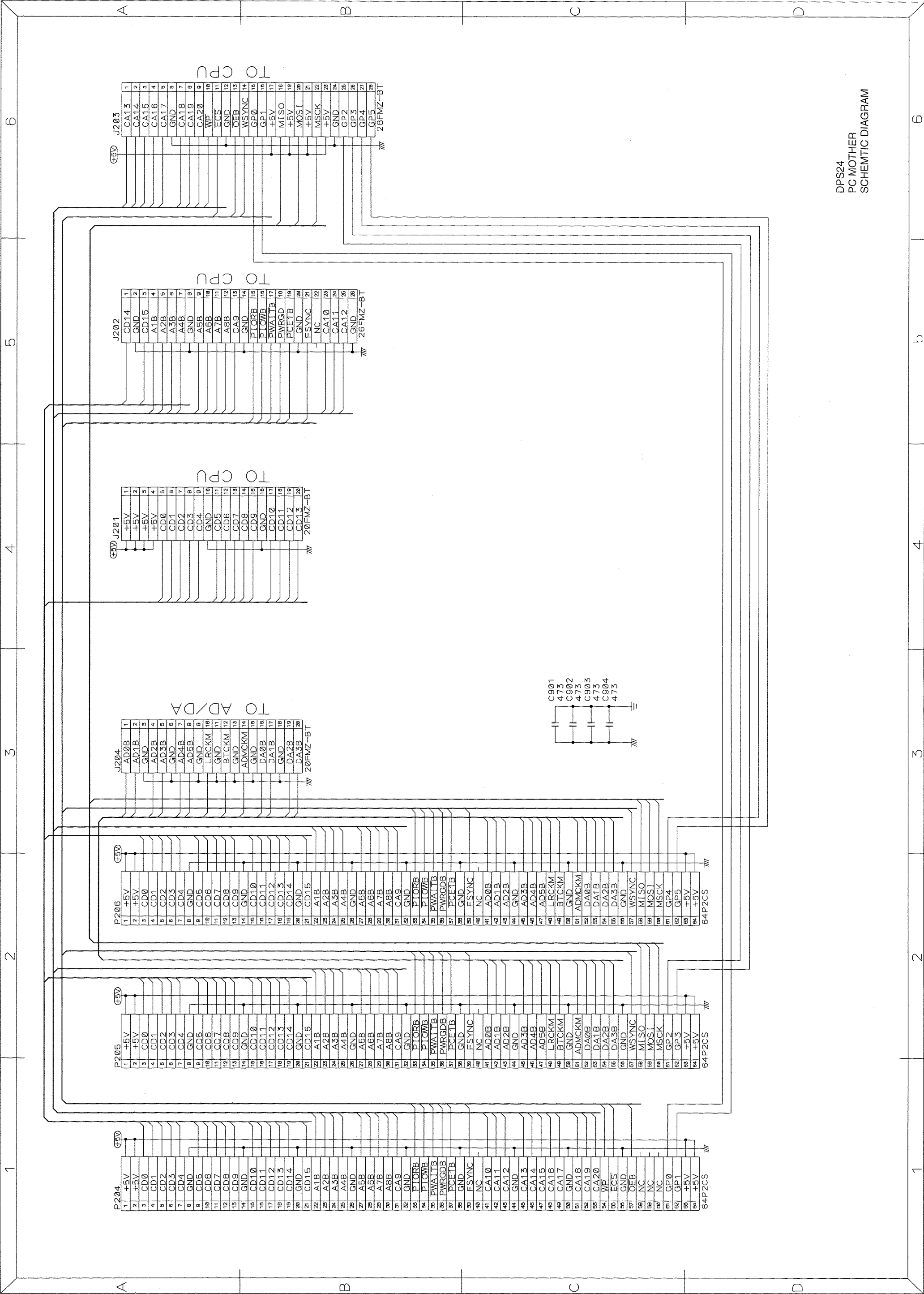
DPS24  
PC FILTER  
SCHEMATIC DIAGRAM



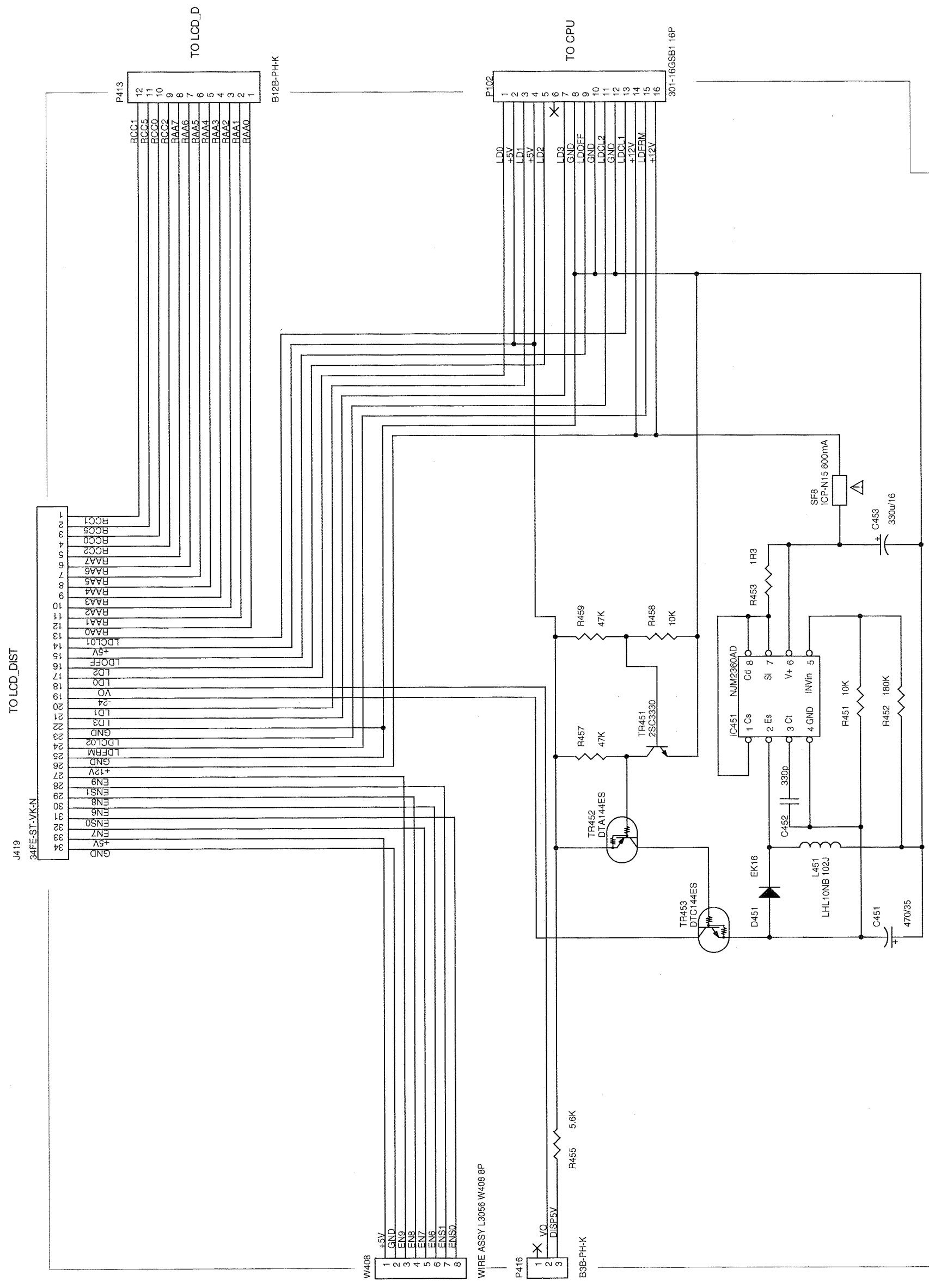
DPS24  
PC HP-HIZ  
SCHEMATIC DIAGRAM



DPS24  
PC LED PAN  
SCHEMATIC DIAGRAM



DPS24  
PC MOTHER  
SCHEMATIC DIAGRAM



DPS24  
PC OPE-DIST  
SCHEMATIC DIAGRAM

DPS24  
PC OPERATION R, JOG  
SCHEMATIC DIAGRAM

