

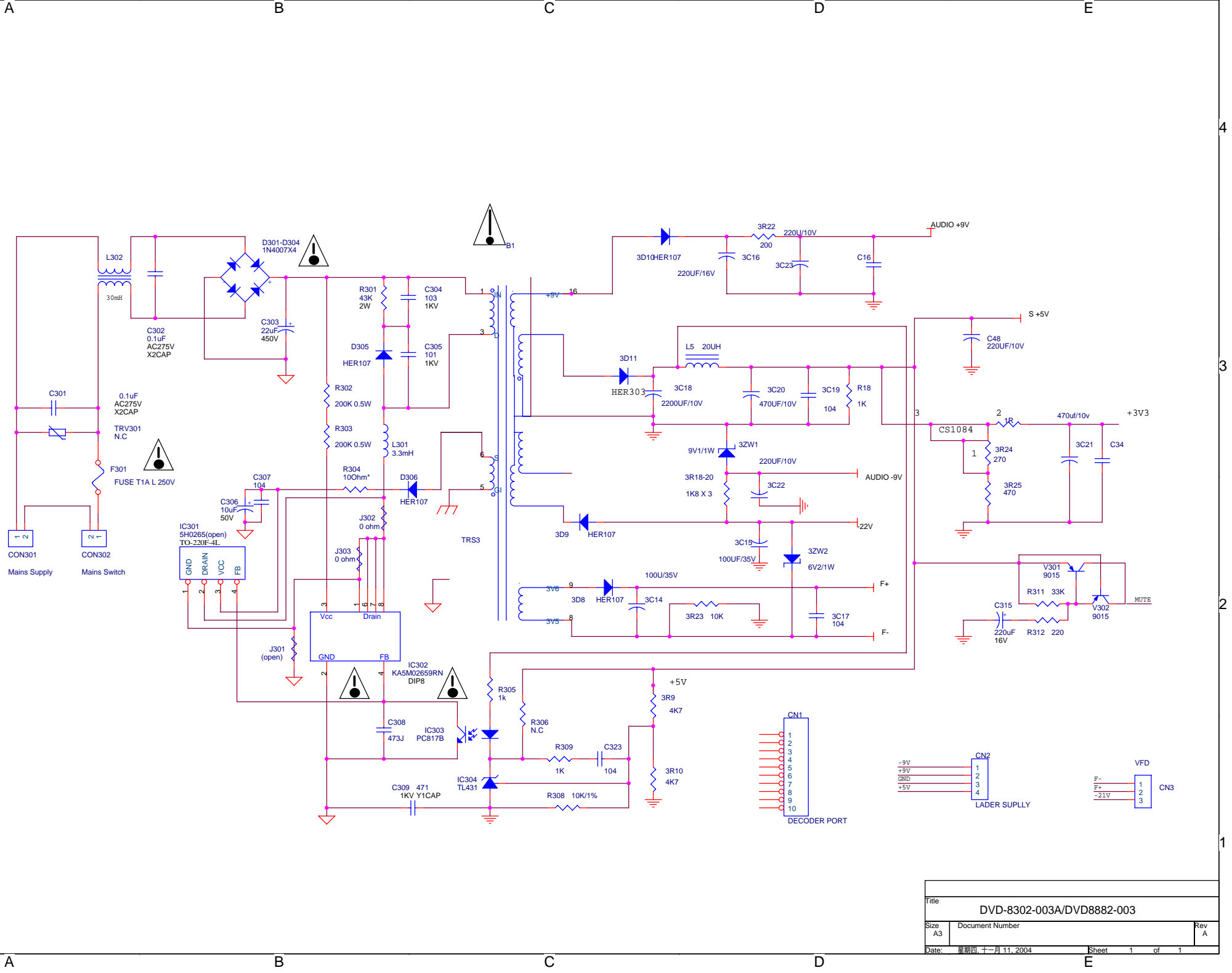


AKAI

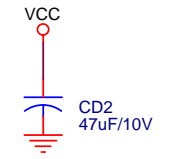
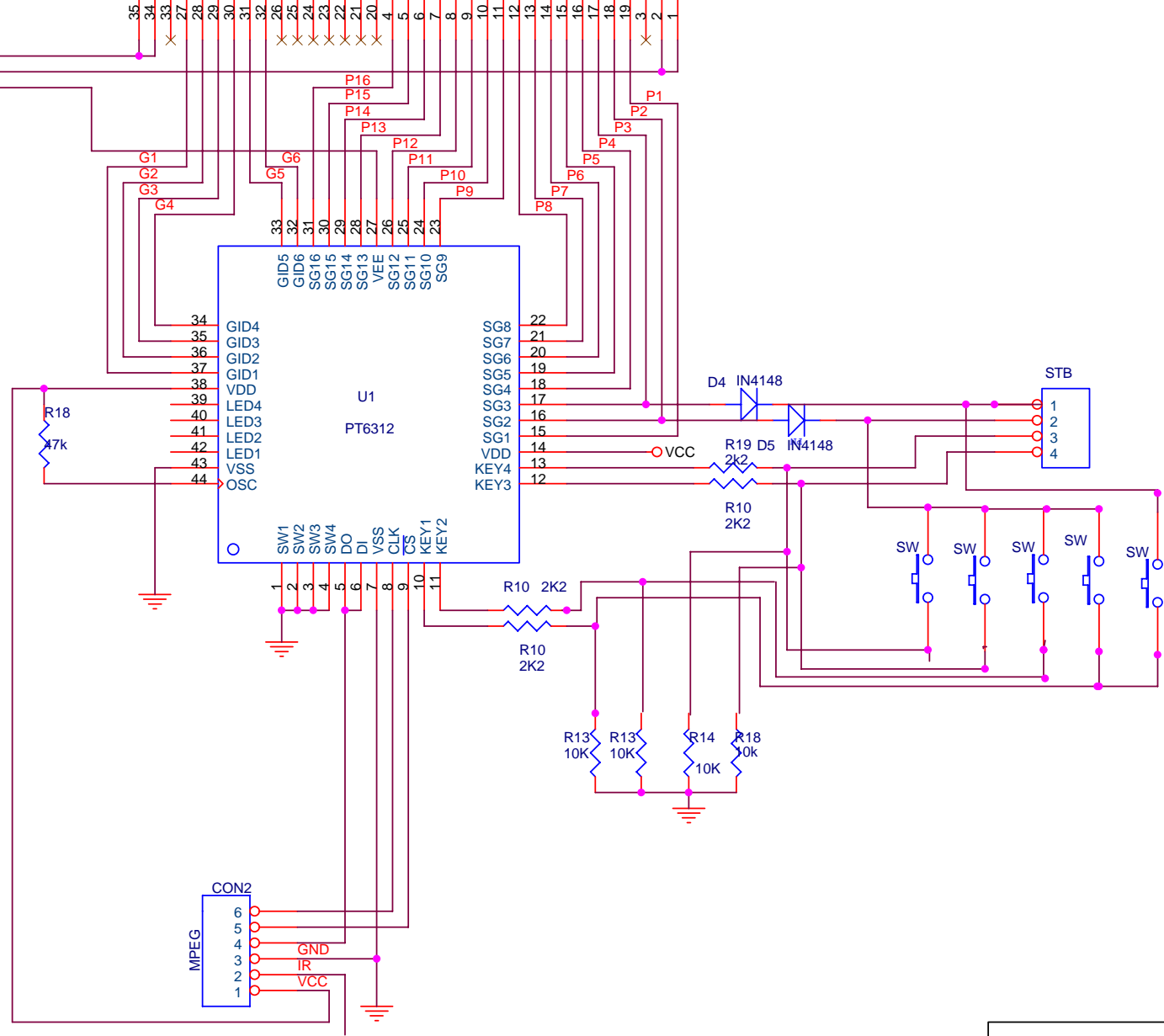
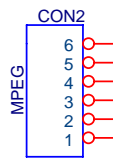
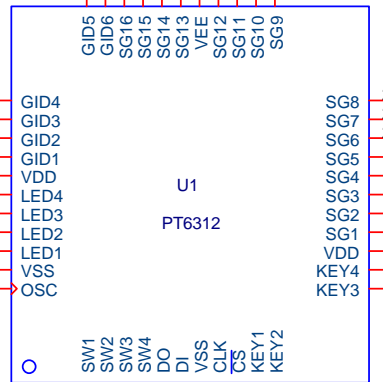
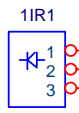
DVD PLAYER

Model:
DV-P4745KDSM

SERVICE MANUAL



Title		
DVD-8302-003A/DVD8882-003		
Size	Document Number	Rev
A3		A
Date:	星期四, 十一月 11, 2004	Sheet 1 of 1



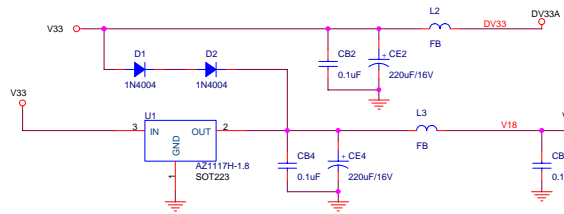
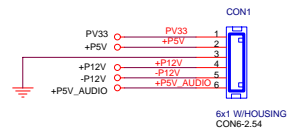
QISHENG DVD8302-001		Rev
Size A4	Document Number	A
Date: 星期四, 十一月 11, 2004	Sheet 1 of 1	

MT1389E (LQFP256) DVD Demo Board for Sanyo Slim HD60 PUH

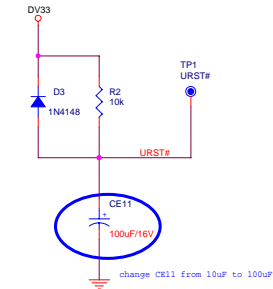
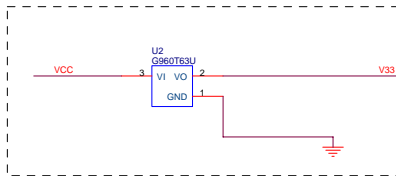
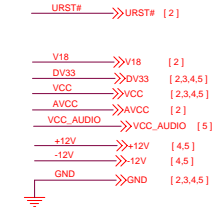
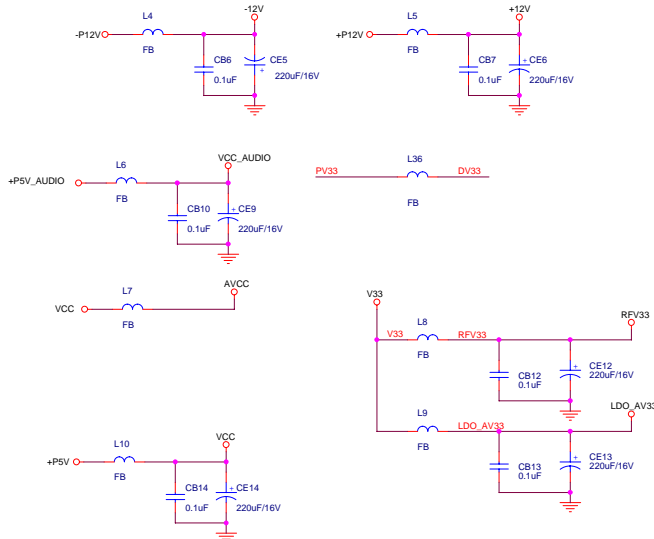
- 1 INDEX & POWER, RESET
- 2 RF, SERVO & MPEG - MT1389E
- 3 MEMORY - SDRAM, FLASH/EEPROM
- 4 VIDEO OUT
- 5 AUDIO DAC WMA8746&WMA8720 AND AUDIO OUT

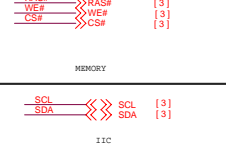
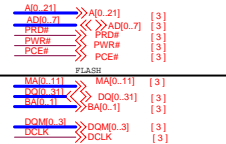
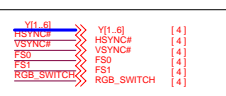
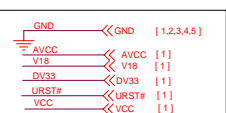
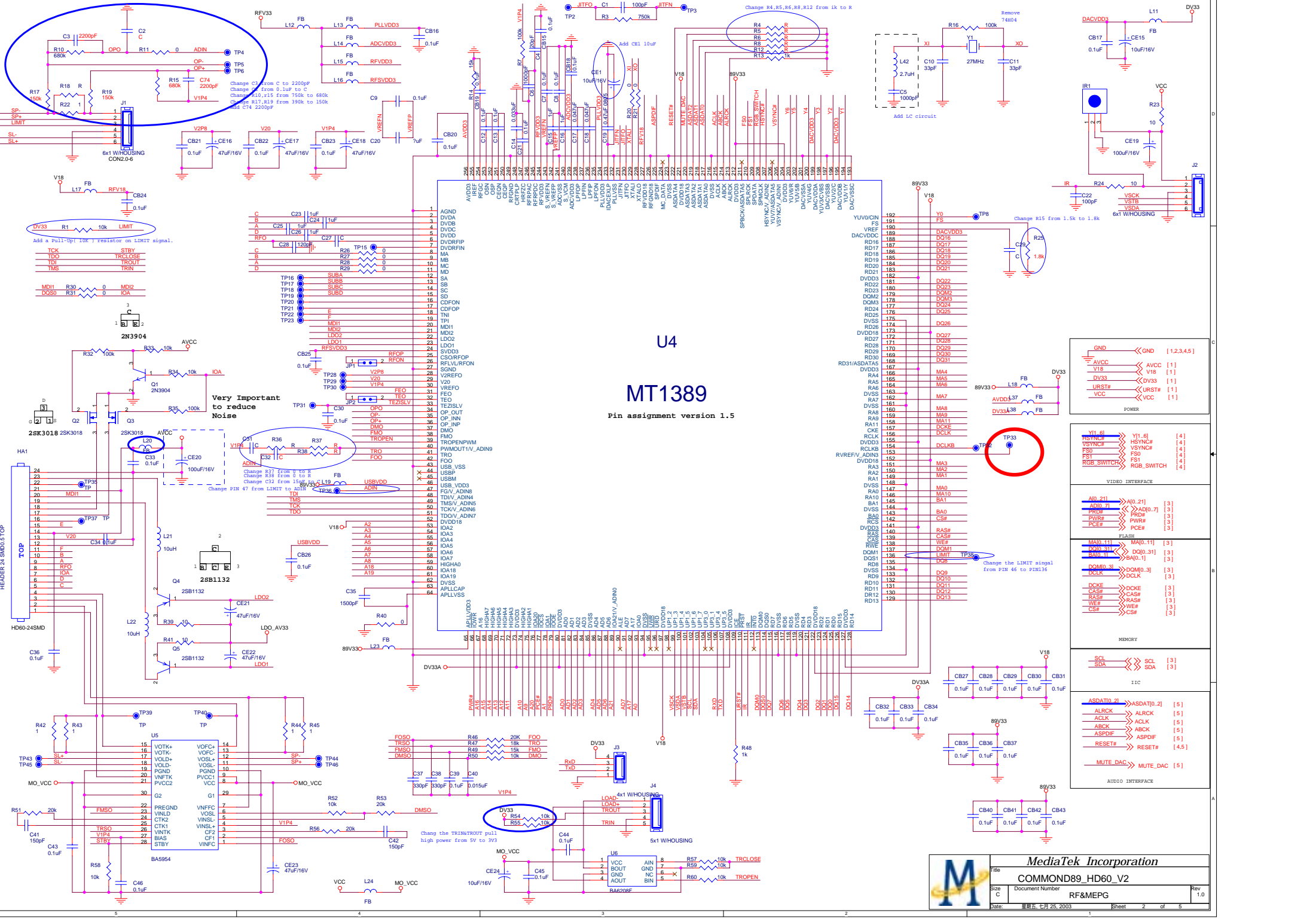
Rev	History	P#	Date
V1	The original released.		2003.6.15
V2	Change CE11 from 10uF to 100uF Change C3 from C to 220pF Change C1 from 0.1uF to C Change R10,R15 from 750k to 480k Change R17,R19 from 390k to 150k Add C74 2200pF Change R37 from 0 to R Change R38 from 0 to R Change C12 from 15nF to C Change PIN 47 from LIMIT to ADIN Add CE1 10uF Change R15 from 1.5k to 1.8k Remove 74M01 Change the LIMIT signal from PIN 46 to PIN136 Change R4,R5,R6,R9,R13 from 1k to R Change the TRISTATOUT pullup power from 5V to 3V3 Add IC pin111 Change R17 from 0 to 100 Add the low resistance output circuit Change spdif output port Add the Audio DAC power to reference filtering		2003.7.17

NAME	TYPE	DEVICE
VCC	Digital 5V	SUPPLY
DV33	Digital 3.3V	MT1389E
RFV33	Servo 3.3V	MT1389E
LDO_AV33	Laser Diode 3.3V	
AVCC	RF 5V	PICKUP HEADER
V18	Digital 1.8V	MT1389E
SD33	Digital 3.3V	SDRAM
+12V	Audio +12V	OP AMP.
-12V	Audio -12V	OP AMP.
AVDD	Audio 5V	Audio DAC
DVDD	Audio 5V	Audio DAC



Power ON alive source



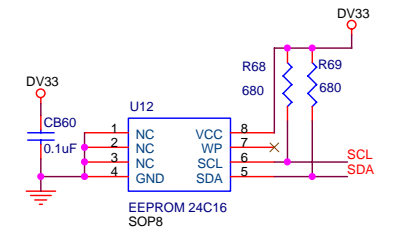
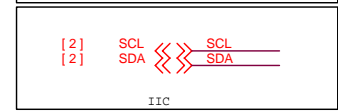
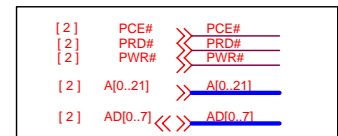
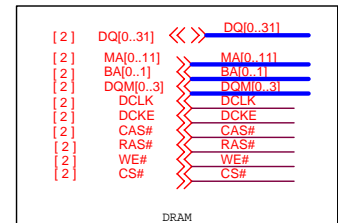
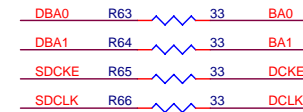
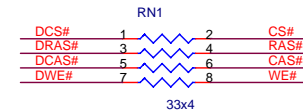
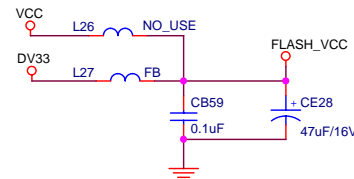
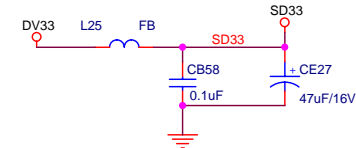
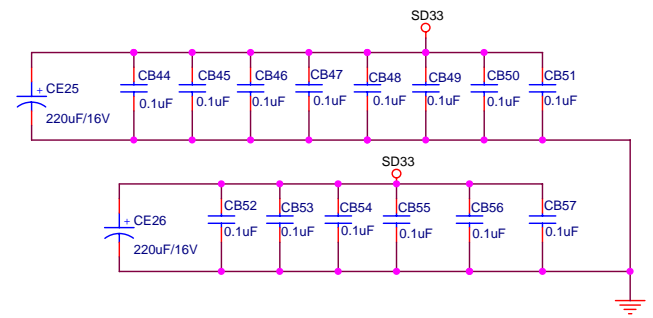
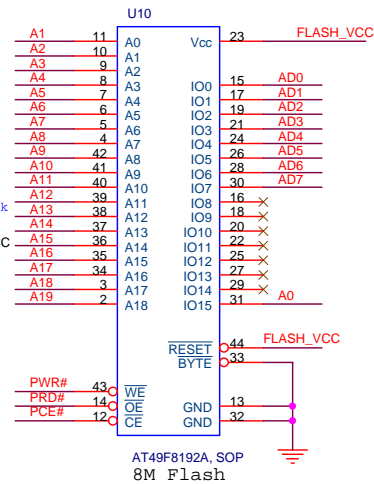
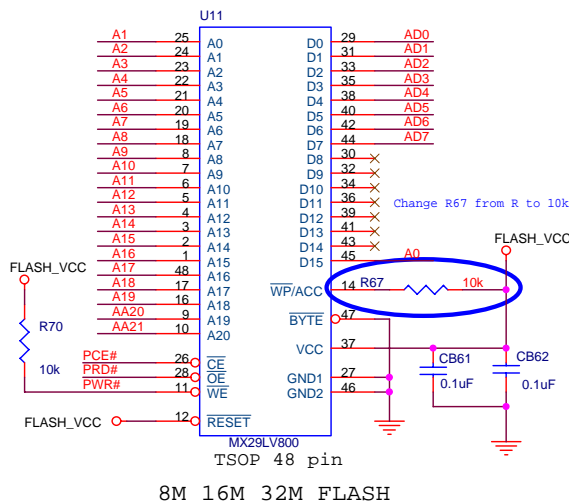
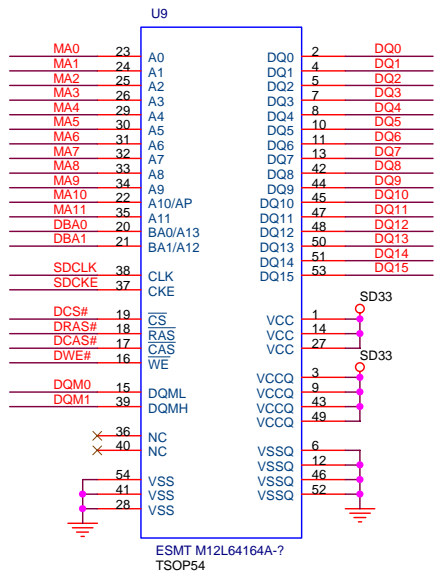
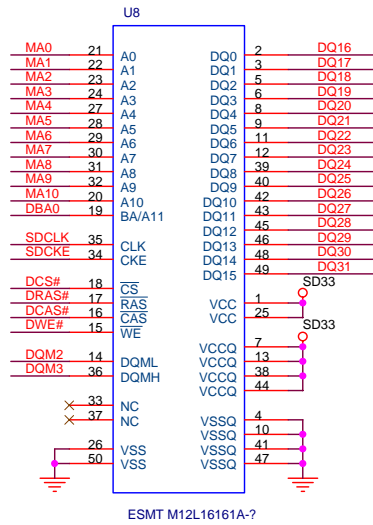
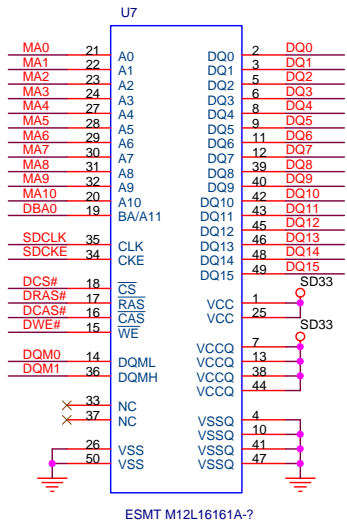


MediaTek Corporation

COMMOND89_HD60_V2

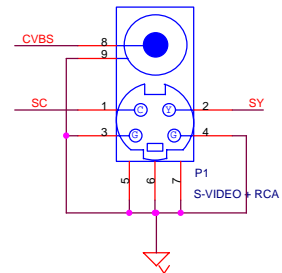
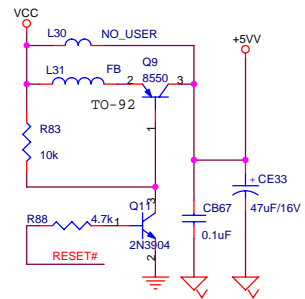
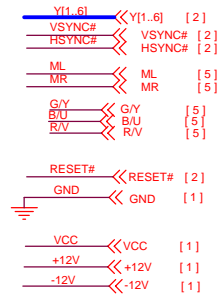
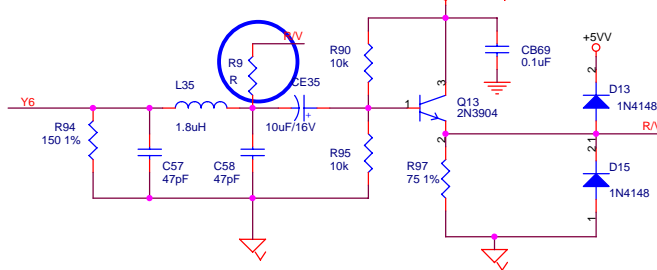
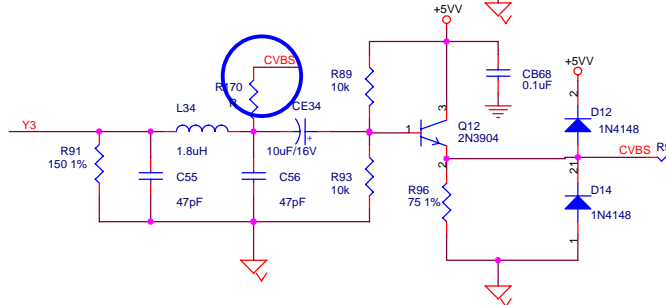
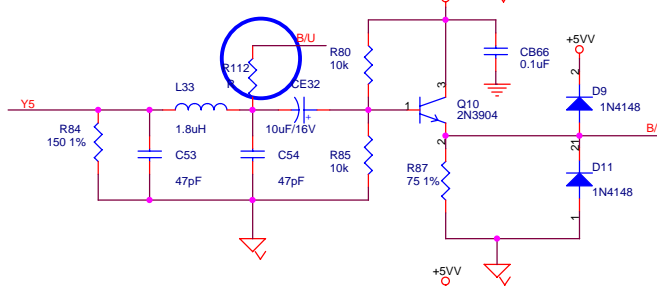
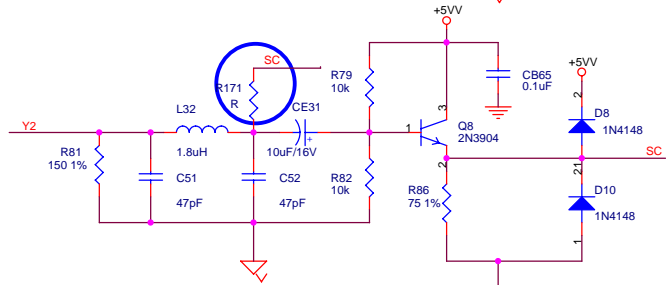
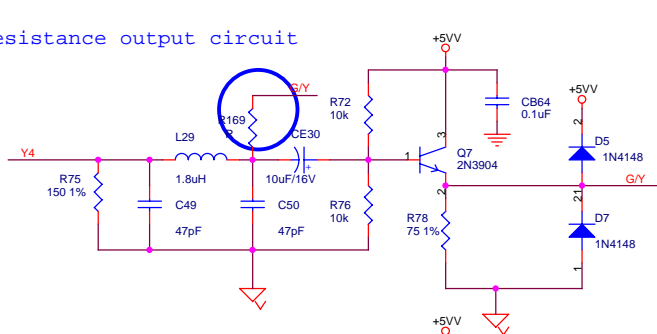
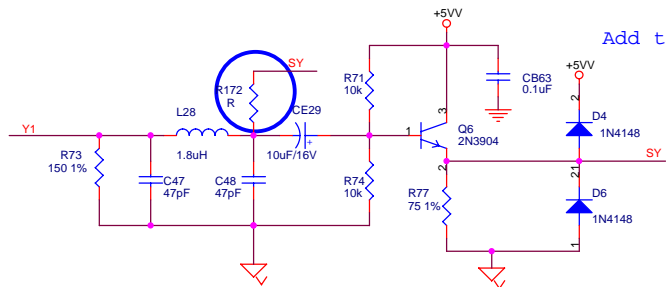
Size C Document Number **RF&MEPG**

Date: 星期二, 七月 25, 2006 Sheet 2 of 5

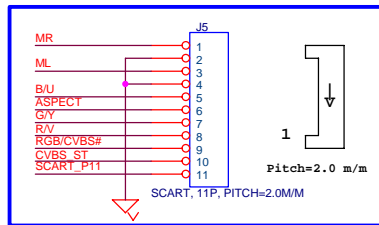


	MediaTek Incorporation	
	Title COMMOND89_HD60_V2	
Size B	Document Number SDRAM&FLASH	Rev 1.0
Date: 星期五, 七月 25, 2003	Sheet 3	of 5

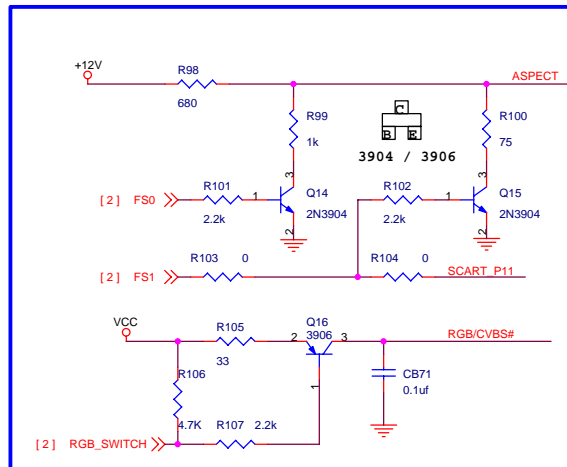
Add the low resistance output circuit



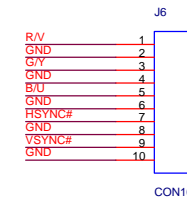
SCART CONNECTOR



SCART CONTROL



VGA CONNECTOR



MediaTek Incorporation		
Title: COMMOND89_HD60_V2		
Size: Custom	Document Number: VIDEO OUT PORT	Rev: 1.0
Date: 星期五, 七月 25, 2003	Sheet: 4	of 5

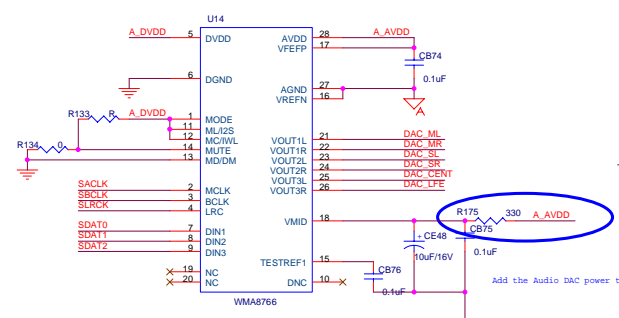
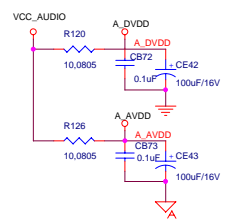
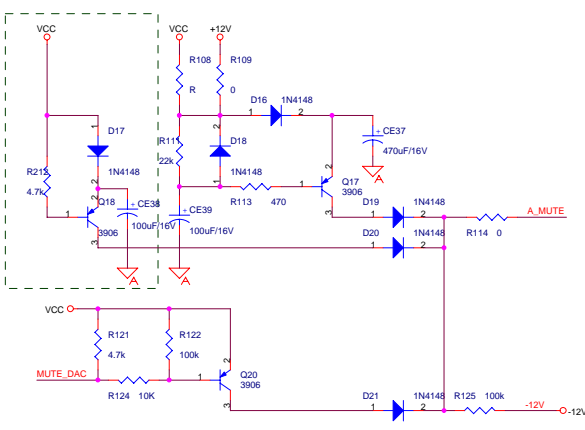
- [1] -12V
- [1] +12V
- [1] DV33
- [1] VCC
- [1] VCC_AUDIO
- [1,2,3,5] GND

- [2] ASPDIF
- [2] ASDAT0..2
- [2] ACLK
- [2] ABCK
- [2] ALRCK

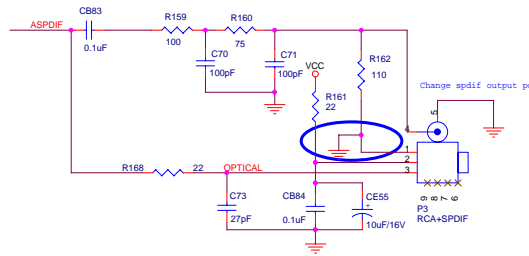
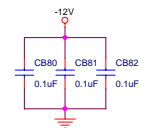
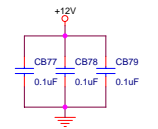
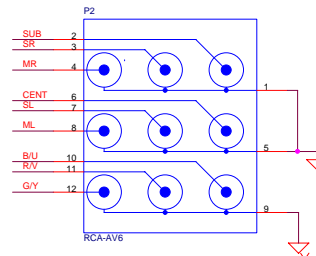
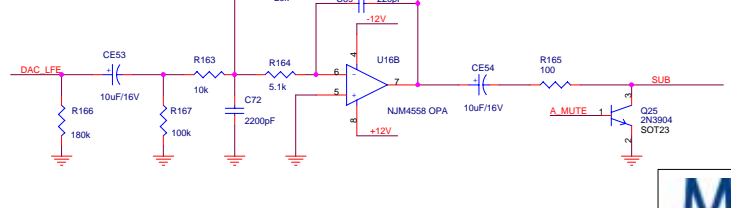
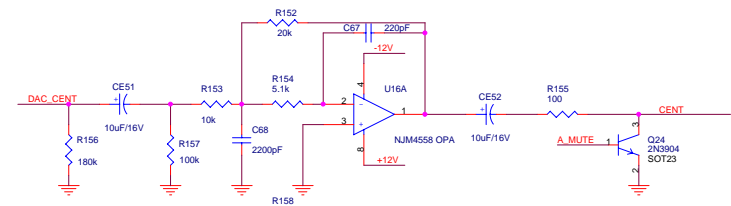
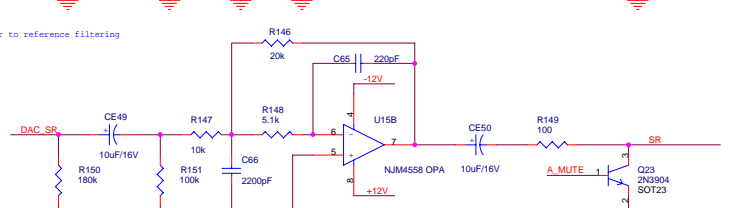
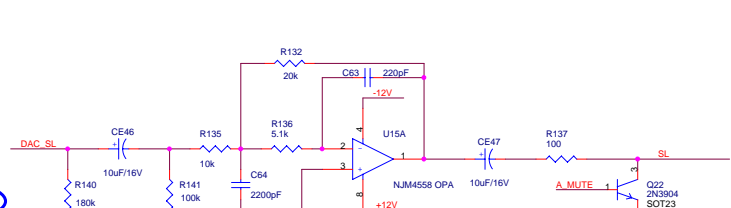
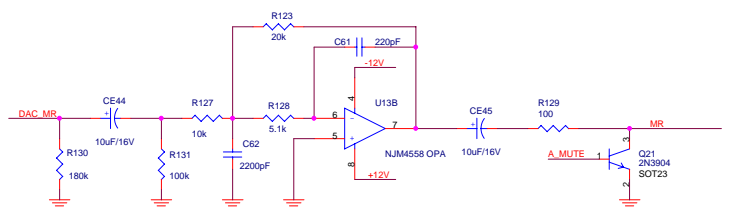
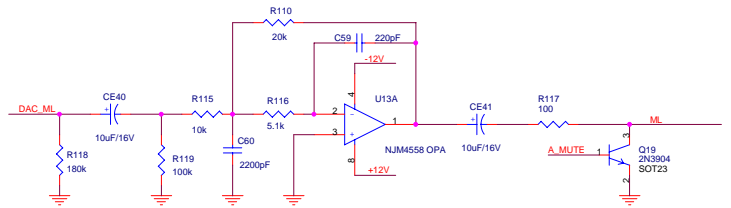
- [2] MUTE_DAC
- [2] RESET#
- [4] ML
- [4] MR

- ACLK R138
- ALRCK R139
- ABCK R142
- ASDAT0 R143
- ASDAT1 R144
- ASDAT2 R145

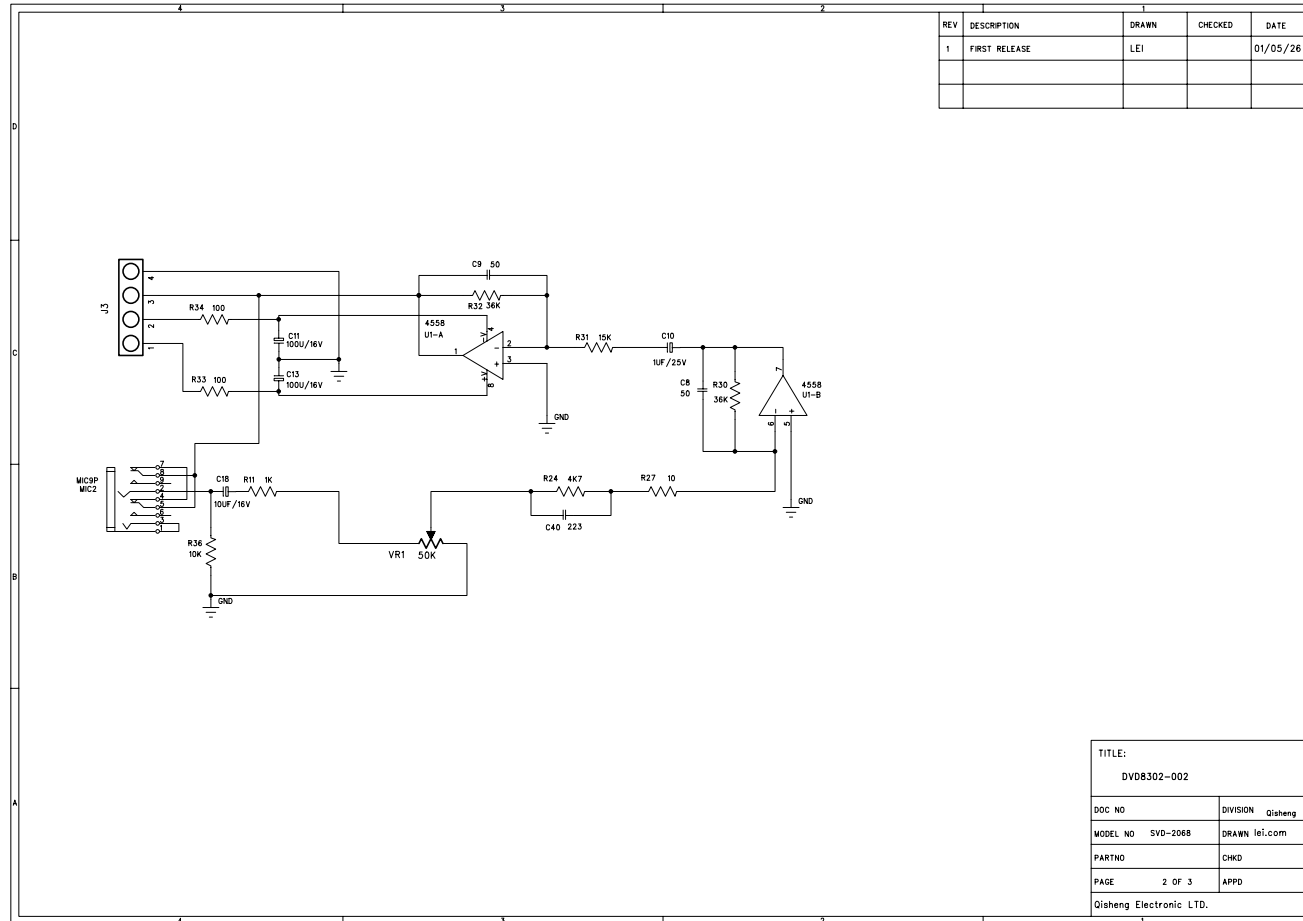
- SACLK
- SBCLK
- SLRCK
- SDAT0
- SDAT1
- SDAT2



HARDWARE: IIS 24BIT



MediaTek Incorporation		
File	COMMOND89_HD60_V2	
Size	Document Number	Rev
C	AUDIO OUT PORT	1.0
Date	2003年12月25日	Sheet 5 of 5



REV	DESCRIPTION	DRAWN	CHECKED	DATE
1	FIRST RELEASE	LEI		01/05/26

TITLE:	
DVB8302-002	
DOC NO	DIVISION Qisheng
MODEL NO SYD-2068	DRAWN lei.com
PARTNO	CHKD
PAGE 2 OF 3	APPD
Qisheng Electronic LTD.	