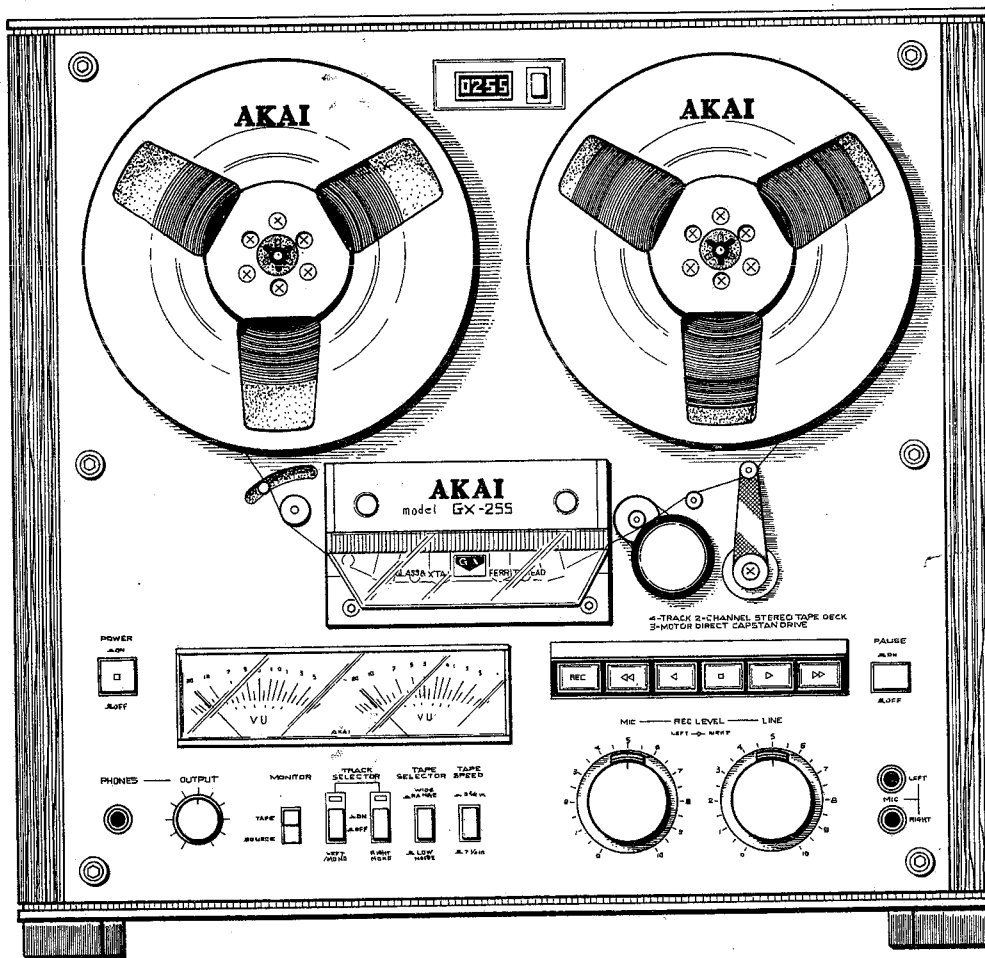


# AKAI SERVICE MANUAL



STEREO TAPE DECK

MODEL **GX-255**



## STEREO TAPE DECK

# MODEL GX-255

ALSO APPLICABLE TO BLACK PANEL MODEL

SECTION 1	SERVICE MANUAL .....	3
SECTION 2	PARTS LIST .....	39
SECTION 3	SCHEMATIC DIAGRAM .....	60

---

---

SECTION 1

**SERVICE MANUAL**

TABLE OF CONTENTS

I.	TECHNICAL DATA .....	4
II.	DISMANTLING OF UNIT .....	5
III.	CONTROLS .....	6
IV.	PRINCIPAL PARTS LOCATION .....	8
V.	VOLTAGE AND CYCLE CONVERSION .....	10
	1. VOLTAGE CONVERSION .....	10
	2. CYCLE CONVERSION .....	11
VI.	CIRCUIT OPERATING PRINCIPLES .....	12
	1. CIRCUIT CONSTRUCTION OF IC1 M54410P .....	12
	2. THE SAMPLE AND HOLD SYSTEM SERVO MOTOR (SCM-200) OPERATION .....	14
VII.	MECHANISM ADJUSTMENT .....	17
	1. TAPE GUIDE HEIGHT ADJUSTMENT .....	17
	2. TENSION MICROSWITCH POSITION ADJUSTMENT .....	18
	3. IMPEDANCE ROLLER LOOSE PLAY ADJUSTMENT .....	18
	4. CAPSTAN SHAFT LOOSE PLAY ADJUSTMENT .....	18
	5. REEL TABLE HEIGHT ADJUSTMENT .....	19
	6. BRAKE PLUNGER INSTALLATION POSITION ADJUSTMENT .....	19
	7. QT MICRO SWITCH INSTALLATION POSITION ADJUSTMENT .....	20
	8. BRAKE BAND POSITION AND BRAKE TENSION ADJUSTMENT .....	21
	9. PINCH ROLLER PLUNGER INSTALLATION POSITION AND PINCH ROLLER PRESSURE ADJUSTMENT .....	22
	10. TAPE SPEED ADJUSTMENT .....	23
VIII.	HEAD ADJUSTMENT .....	24
IX.	AMPLIFIER ADJUSTMENT .....	26
X.	DC RESISTANCE OF VARIOUS COILS .....	29
XI.	CLASSIFICATION OF VARIOUS P.C BOARDS .....	30
	1. P.C BOARD TITLES AND IDENTIFICATION NUMBERS .....	30
	2. COMPOSITION OF VARIOUS P.C BOARDS .....	31

For basic adjustments, measuring methods, and operating principles, refer to GENERAL TECHNICAL MANUAL.

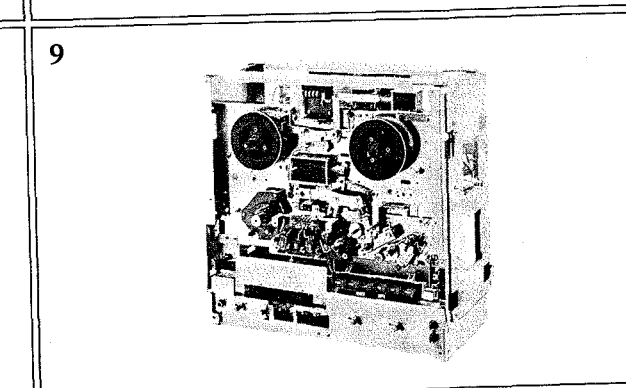
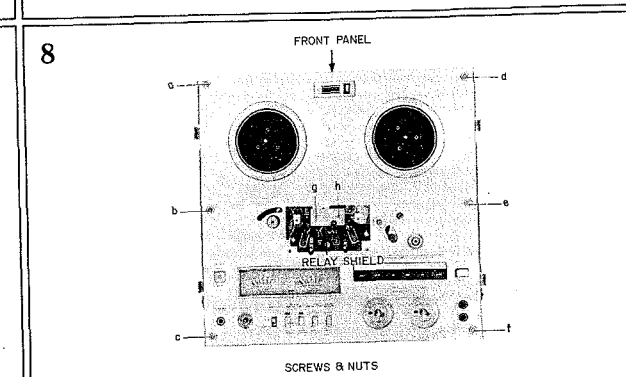
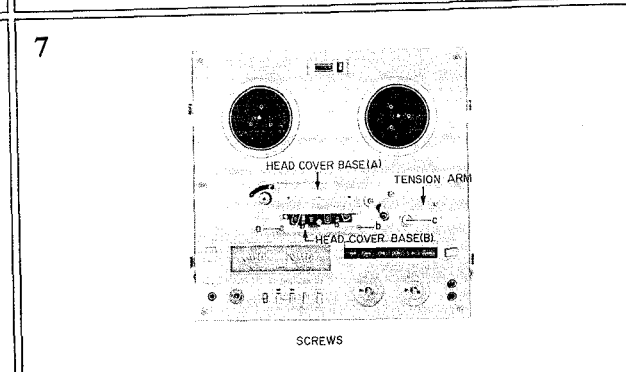
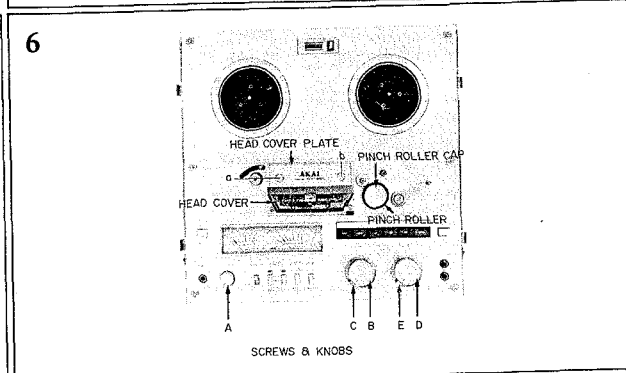
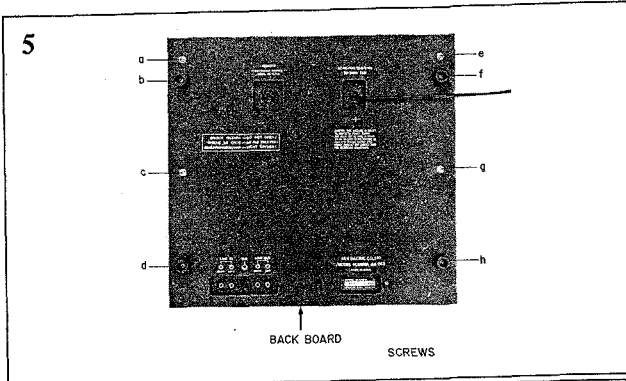
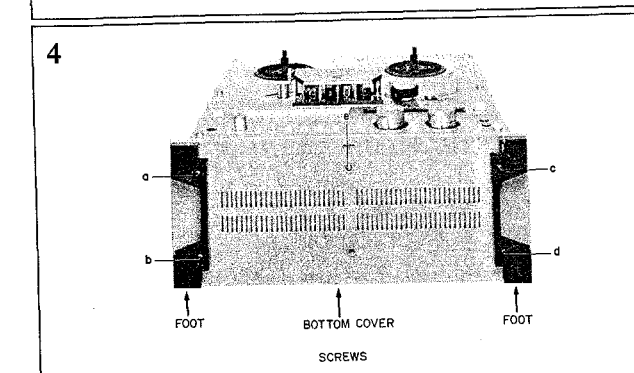
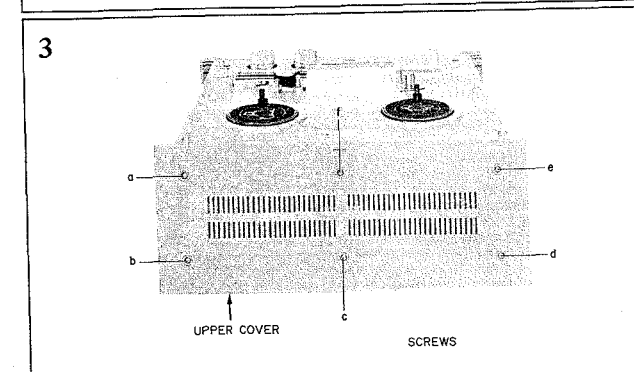
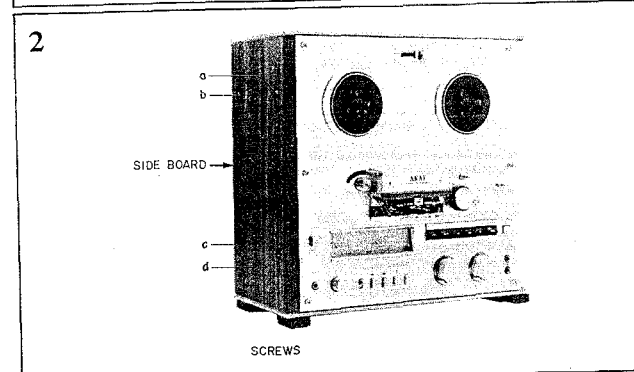
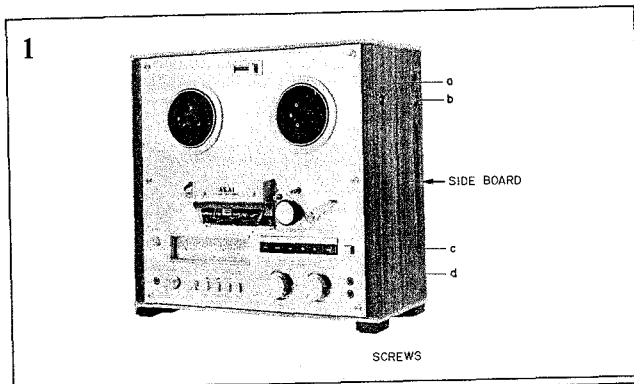
# I. TECHNICAL DATA

TRACK SYSTEM	4 track 2 channel stereo/monaural system
REEL CAPACITY	Up to 7" reel
TAPE SPEED	19 cm/s $\pm$ 0.8% (7-1/2 ips.) 9.5 cm/s $\pm$ 1.0% (3-3/4 ips.)
WOW & FLUTTER	Less than 0.04% WRMS, 0.10% DIN 45500 at 19 cm/s Less than 0.06% WRMS, 0.12% DIN 45500 at 9.5 cm/s
FREQUENCY RESPONSE	30 to 24,000 Hz $\pm$ 3 dB at 19 cm/s (WR tape) 30 to 19,000 Hz $\pm$ 3 dB at 9.5 cm/s (WR tape)
DISTORTION	Less than 0.5% (at 1,000 Hz 0 VU)
SIGNAL TO NOISE RATIO	Better than 61 dB DIN 45500 at 19 cm/s
ERASE RATIO	Better than 70 dB (at 1,000 Hz)
CROSS TALK	Better than 40 dB (at 1,000 Hz)
CHANNEL SEPARATION	Better than 55 dB (at 1,000 Hz)
BIAS FREQUENCY	100 kHz
HEADS	(4): GX recording head, GX forward playback head GX reverse playback head, and erase head
MOTORS	(3): One AC servo motor for capstan drive Two Eddy Current motors for reel drive
FF. & RWD. TIME	75 sec. using 360 m (1,200 ft.) Tape
OUTPUT JACKS	Line (2): 0.775 V (0 VU) Required load impedance: more than 20 kohms Phone (1): 100 mV/8 ohms
INPUT JACKS	Microphone (2): 0.25 mV Required microphone impedance: 600 ohms Line (2): 70 mV Input impedance 100 kohms
DIN JACK	Input: 2.0 mV Input impedance 10 kohms Output: 0.3 V
DIMENSIONS	440 (W) $\times$ 419 (H) $\times$ 242 (D) mm (17.3 $\times$ 16.5 $\times$ 9.5")
WEIGHT	16 kg (35.3 lbs)
POWER REQUIREMENT	100 V, 50/60 Hz switchable for JAPAN 120 V 60 Hz for U.S.A. & Canada 220/240 V, 50/60 Hz switchable for European countries & Australia 110/120/220/240 V, 50/60 Hz switchable for the other countries
POWER CONSUMPTION	60 W for JPN Model 70 W for U/T Model 100 W for CSA & AAL Model

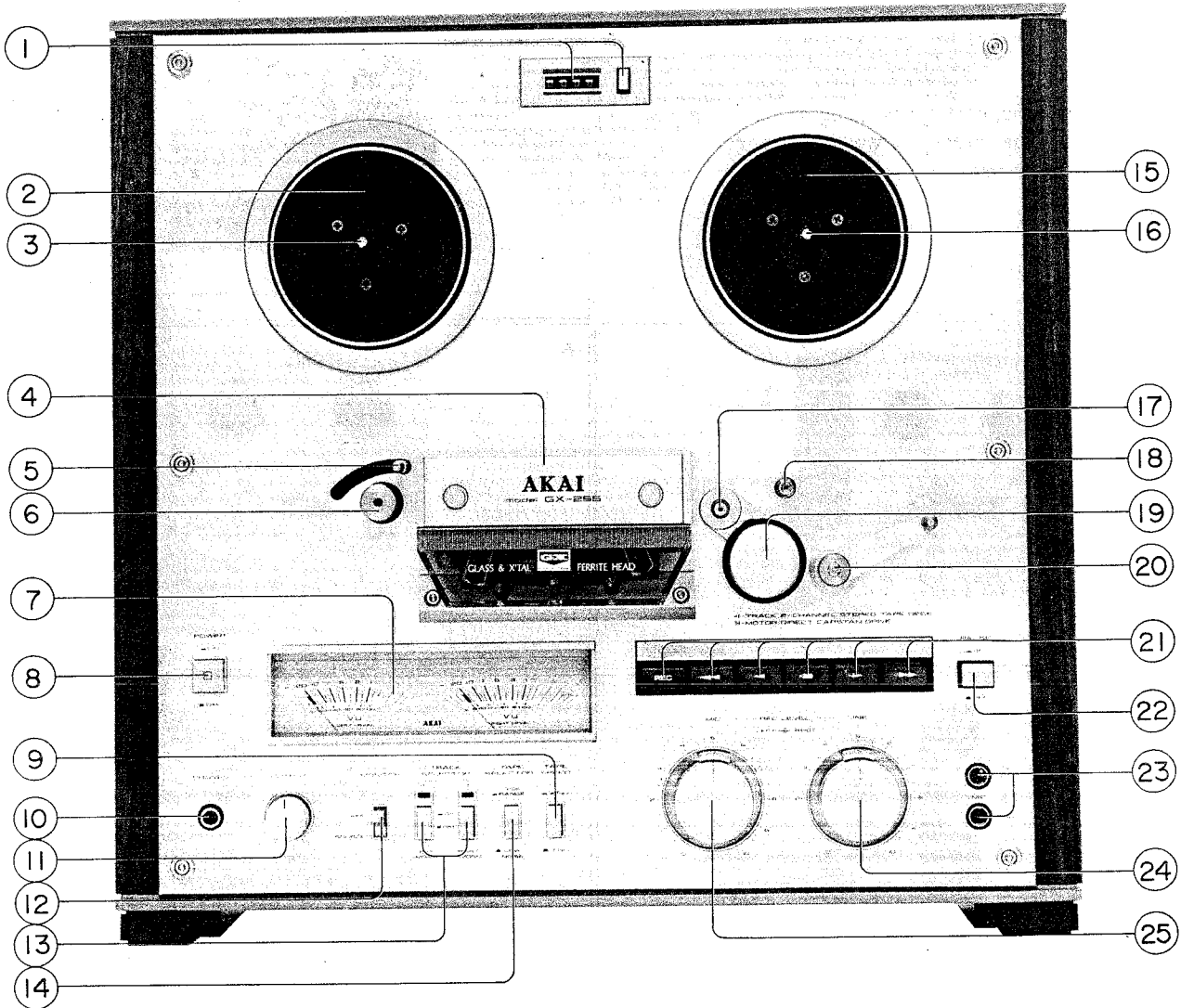
\* For improvement purposes, specifications and design are subject to change without notice.

## II. DISMANTLING OF UNIT

In case of trouble, etc. necessitating dismantling, please dismantle in the order shown in the photographs. Reassemble in reverse order.



### III. CONTROLS



1. INDEX COUNTER AND RESET BUTTON
2. SUPPLY REEL TABLE
3. REEL RETAINER
4. HEAD COVER
5. TENSION ARM/SENSING POLE
6. IMPEDANCE ROLLER
7. VU METERS
8. POWER SWITCH
9. TAPE SPEED SWITCH
10. HEADPHONE JACK
11. OUTPUT LEVEL CONTROL
12. TAPE MONITOR SWITCH
13. TRACK SELECTOR SWITCHES

14. TAPE SELECTOR SWITCH
15. TAKE UP REEL TABLE
16. REEL RETAINER
17. CAPSTAN
18. TAPE GUIDE
19. PINCH ROLLER
20. TENSION ARM/AUTOMATIC STOP LEVER
21. OPERATING BUTTONS
22. PAUSE BUTTON
23. MICROPHONE JACKS
24. LINE INPUT LEVEL CONTROLS
25. MICROPHONE INPUT LEVEL CONTROLS

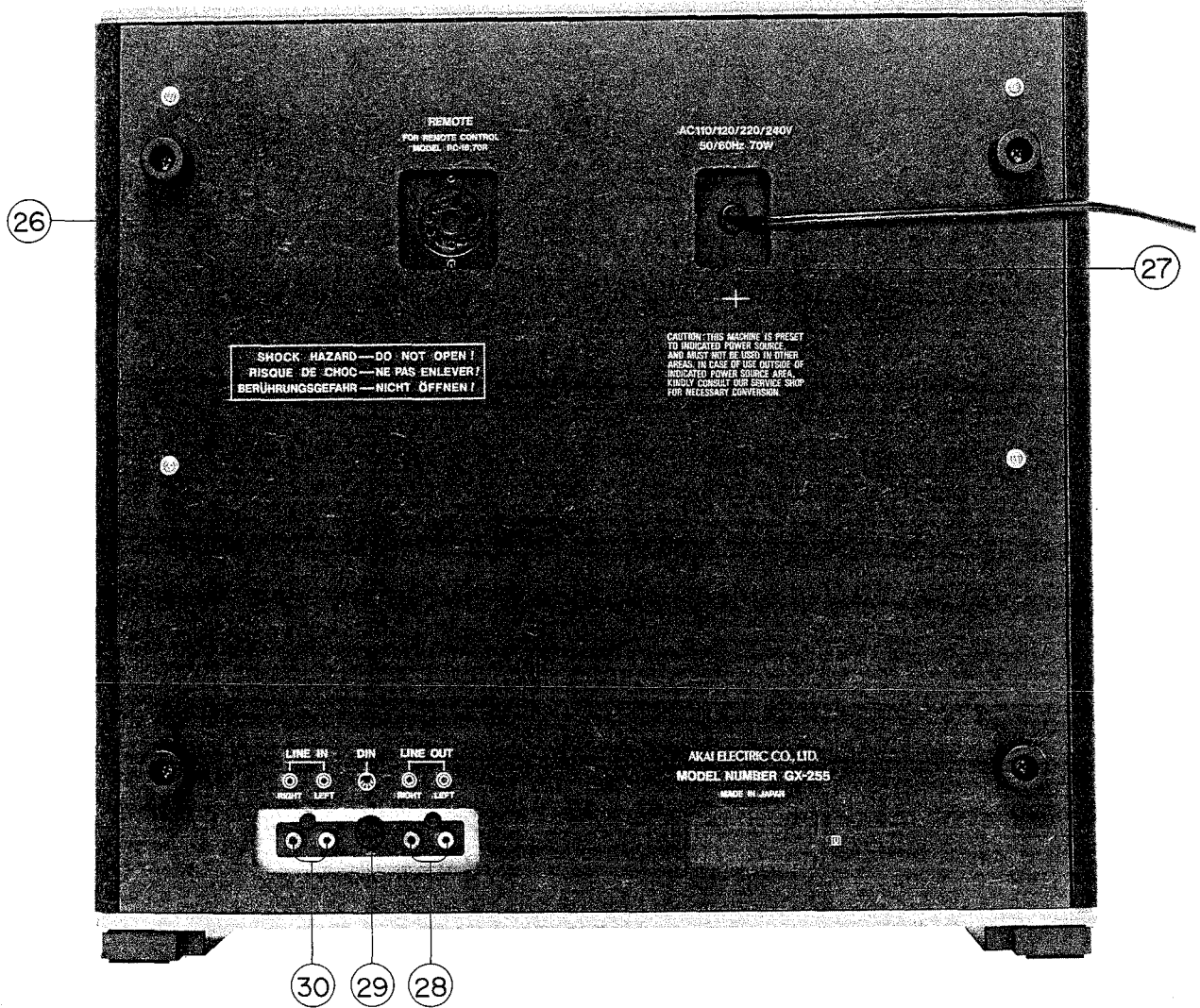


Fig. 1 Controls

- 26. REMOTE CONTROL JACK
- 27. AC POWER CORD (AC Inlet for Some Countries)
- 28. LINE OUTPUT JACKS
- 29. DIN JACK
- 30. LINE INPUT JACKS



# IV. PRINCIPAL PARTS LOCATION

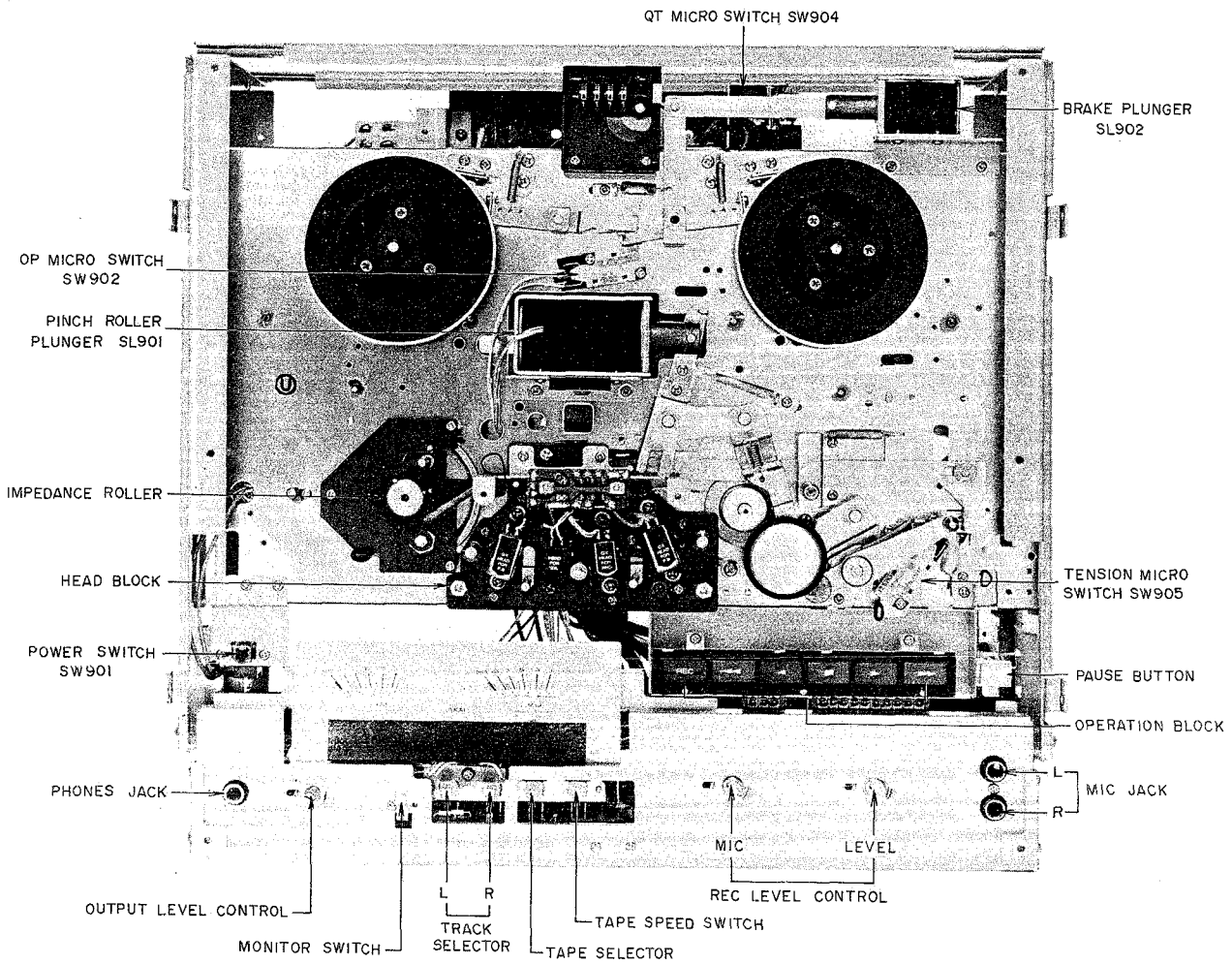


Fig. 2 Front View

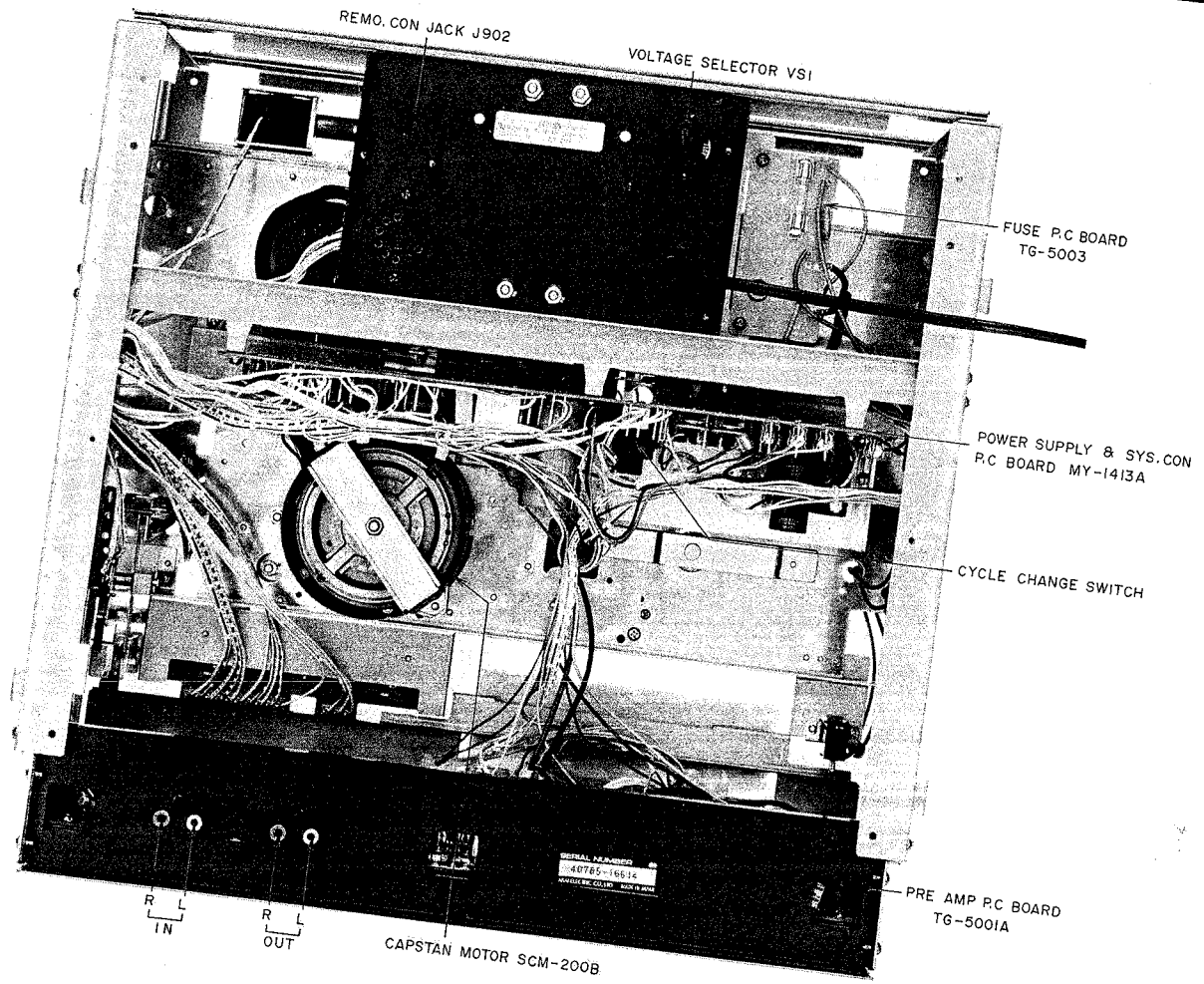
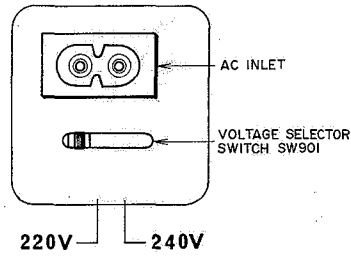


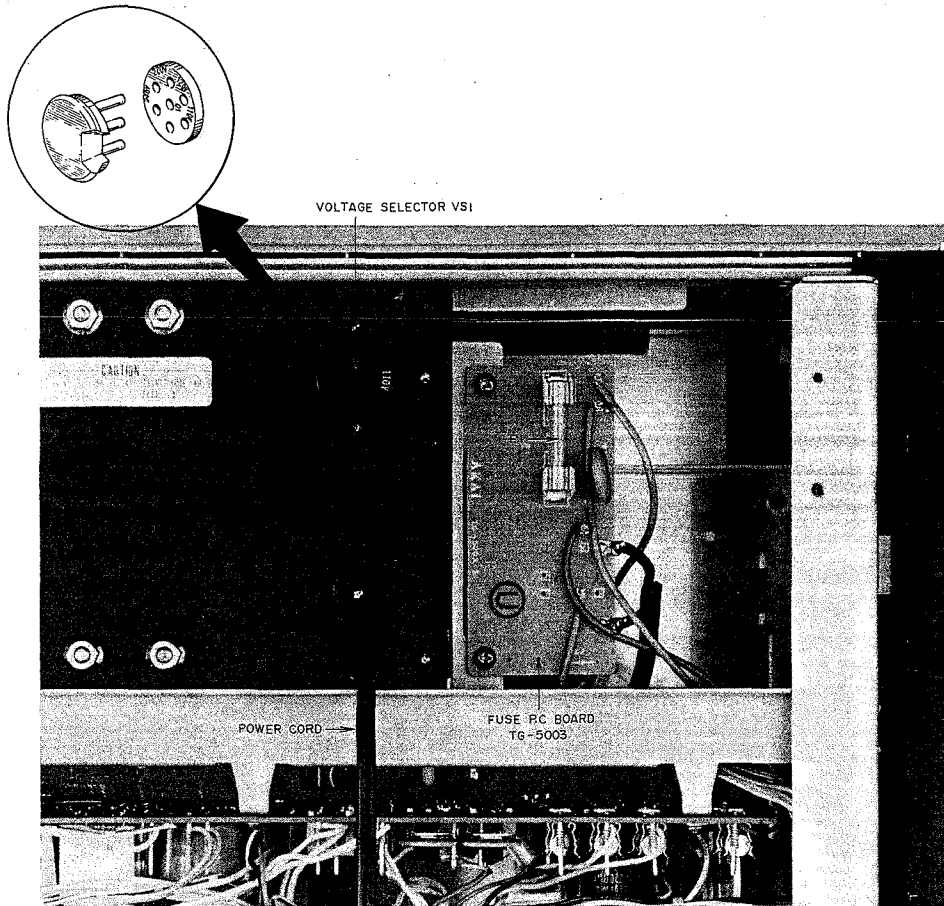
Fig. 3 Rear View

# V. VOLTAGE AND CYCLE CONVERSION

AC 220V/240V 50Hz



(a) CEE, UK Model



(b) U/T Model

Fig. 4 Voltage Conversion

## 1. VOLTAGE CONVERSION (Refer to Fig. 4)

### 1) JPN Model (100 V, 50/60 Hz)

Voltage can not be switched.

### 2) CSA, AAL Model (120 V, 60 Hz)

Voltage can not be switched.

### 3) CEE, UK Model (220/240 V, 50 Hz)

A voltage selector switch is provided under the AC inlet on the back side of machine. Select the proper voltage by this switch according to the voltage to be used. Move the switch to the left side for 220 V and to the right side for 240 V.

### 4) U/T Model (110/120/220/240 V, 50/60 Hz)

Remove the back board and find out the voltage selector and Fuse P.C Board on the upper right portion of the machine. Change the position of voltage selector plugs so that the voltage to be used coincides with the voltage shown through the opening of voltage selector plug. The rating of fuse (F1) differs depending on the voltage to be use. Change the fuse according to the specified rating shown below.

110/120 V	Area	250 V 2A
220/240 V	Area	250 V 1A

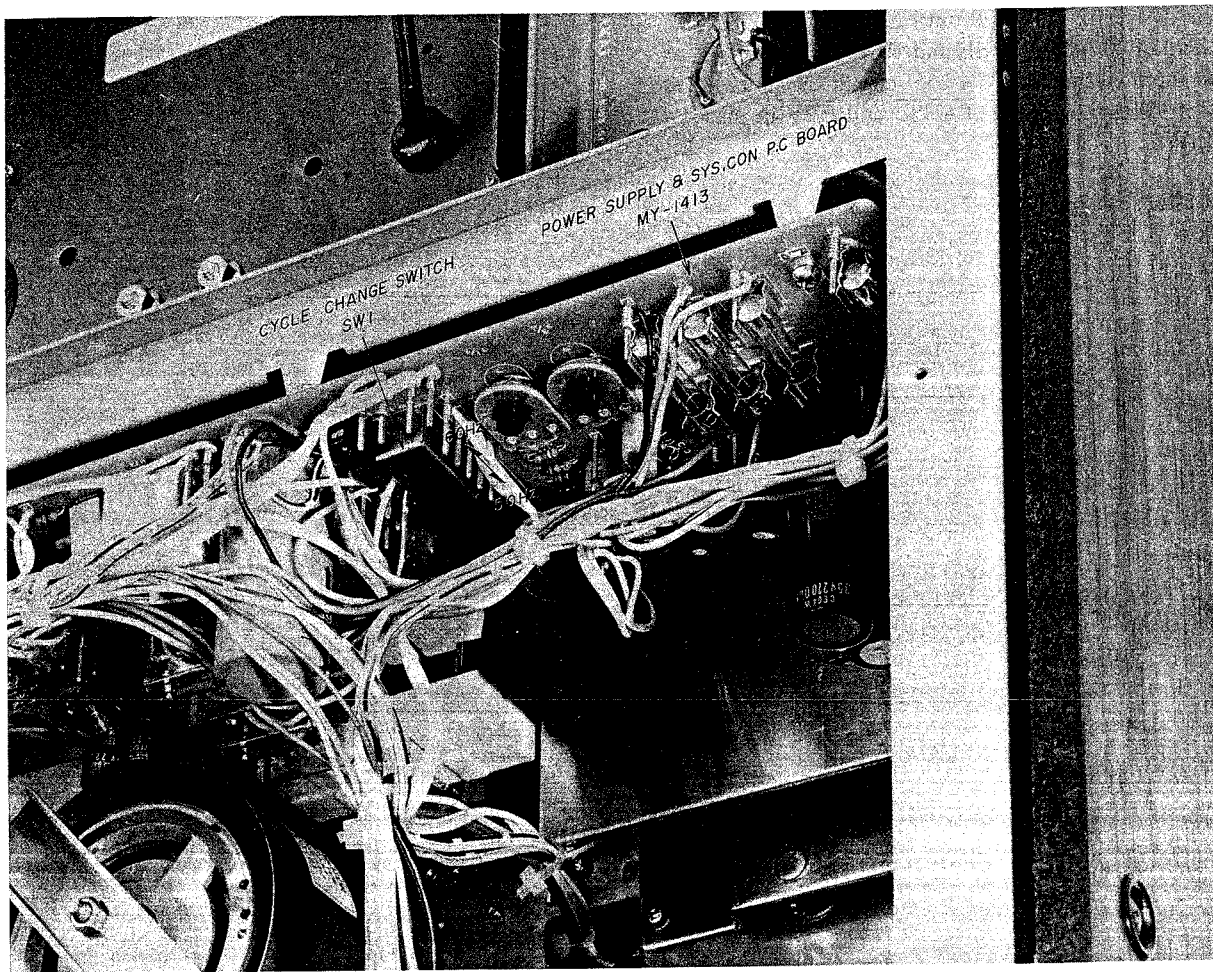


Fig. 5 Cycle Conversion (U/T, JPN Model Only)

## 2. CYCLE CONVERSION (Refer to Fig. 5)

Cycle conversion can be made only with U/T, JPN Model. Remove the back board and select the position of switch located in the center portion of Power Supply & Sys. Con P.C Board in conformity with the frequency of power to be used.

Move the switch depthwise and it will be set to 50 Hz.

Move the switch toward you and it will be set to 60 Hz.

**CAUTION:** When selecting the voltage or cycle, make sure to turn off the power switch and disconnect the power cord.

# VI. CIRCUIT OPERATING PRINCIPLES

## 1. CIRCUIT CONSTRUCTION OF

### IC1 M54410P

The design of M54410P until now had  $\overline{\text{STOP}}$ ,  $\overline{\text{PLAY}}$ ,  $\overline{\text{REC}}$ ,  $\overline{\text{FF}}$ ,  $\overline{\text{RWD}}$ ,  $\overline{\text{PAUSE}}$  and  $\overline{\text{REC}}$  preventing  $\overline{\text{AR}}$  as its input terminals. GX-255 circuit is constructed with  $\overline{\text{FWD}}$  in place of  $\overline{\text{PAUSE}}$  and  $\overline{\text{REV}}$  in place of  $\overline{\text{PLAY}}$ .

#### 1) Block Diagram

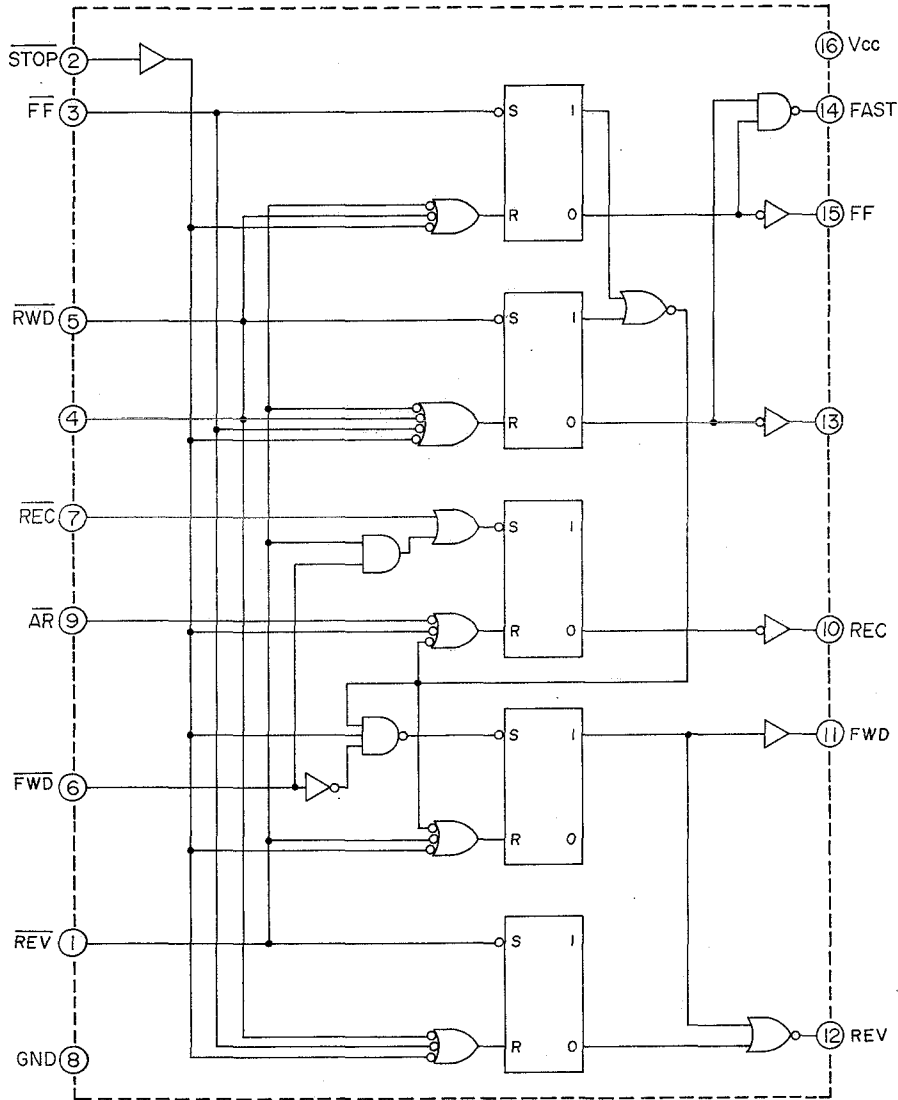


Fig. 6 M54410P

## 2) Terminals and their functions

	Terminal Name	Terminal Function
Operation input terminals	$\overline{\text{STOP}}$	Input terminal for stopping operation
	$\overline{\text{FF}}$	Input terminal for fast forward
	$\overline{\text{RWD}}$	Input terminal for rewind
	$\overline{\text{FWD}}$	Input terminal for playback in the forward direction
	$\overline{\text{REV}}$	Input terminal for playback in the reverse direction
	$\overline{\text{REC}}$	Input terminal for recording
Control input terminal $\overline{\text{AR}}$		Input terminal for preventing recording
Output terminals	FAST	Terminal with "H" signal output during fast forward or rewind mode
	FF	Terminal with "H" signal output during fast forward mode
	FWD	Terminal with "H" signal output during forward playback mode
	REV	Terminal with "H" signal output during reverse playback mode
	REC	Terminal with "H" signal output during recording or REC/PAUSE mode

Chart-1

## 3) Operation activated by each input

Input Signal	Output					Output Mode
	FAST	FF	FWD	REV	REC	
$\overline{\text{STOP}}$	L	L	L	L	L	STOP Mode
$\overline{\text{FF}}$	H	H	L	L	L	FF Mode
$\overline{\text{RWD}}$	H	L	L	L	L	RWD Mode
$\overline{\text{FWD}}$	L	L	H	L	L	FWD Mode
$\overline{\text{REV}}$	L	L	L	H	L	REV Mode
$\overline{\text{REC}}/\overline{\text{FWD}}$	L	L	H	L	H	REC/FWD Mode
$\overline{\text{REC}}/\overline{\text{REV}}$	L	L	L	H	H	REC/REV Mode

Chart-2

- NOTES:
1. The input signal is activated by the fall of  $\overline{\square}$ .
  2. The output is maintained until the next input signal.
  3.  $\overline{\text{AR}}$  is a control input terminal and the REC output is not "H" when  $\overline{\text{AR}} = \text{"L"}$ .
  4. When  $\overline{\text{AR}} = \text{"L"}$  signal is supplied during the REC output is "H", REC output becomes "L".
  5. At the moment the power is on, all output will be "L" and the Stop mode will be effected.

## 4) Regarding the input circuit's diode D11

Previously M54410P has been so designed that the first terminal was  $\overline{\text{PLAY}}$  input and the sixth terminal was  $\overline{\text{PAUSE}}$  input. But in GX-255,  $\overline{\text{PLAY}}$  is used for  $\overline{\text{REV}}$  and  $\overline{\text{PAUSE}}$  for  $\overline{\text{FWD}}$ . Consequently, grounding only the 6th terminal ( $\overline{\text{FWD}}$ ) will not allow the modes to be changed

directly from FF or RWD to FWD. For this reason, the first terminal ( $\overline{\text{REV}}$ ) is also grounded through diode D11 releasing FF and RWD. In addition, even if there are simultaneous inputs into both  $\overline{\text{FWD}}$  and  $\overline{\text{REV}}$ , FWD mode output is designed to take priority.

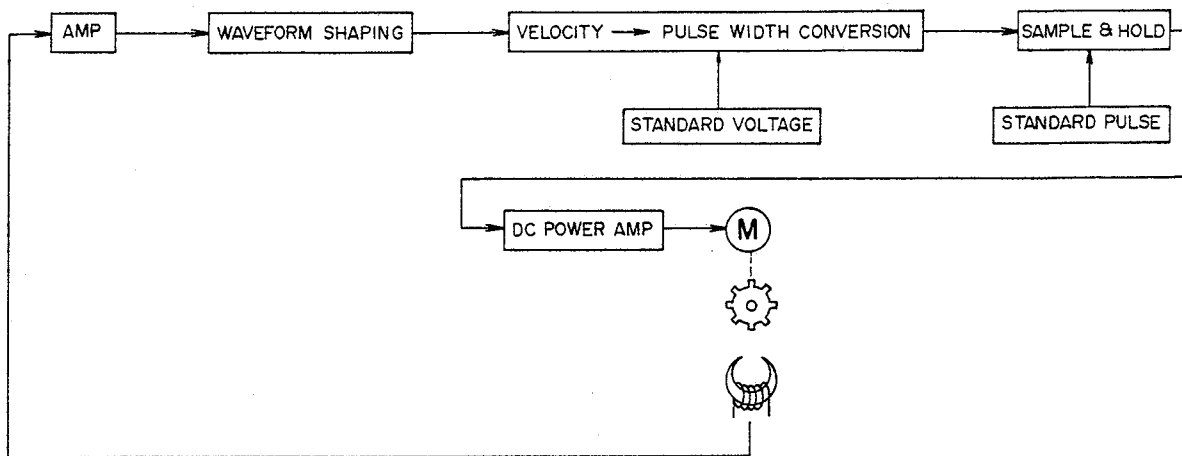


Fig. 7 Block Diagram

## 2. THE SAMPLE AND HOLD SYSTEM SERVO MOTOR (SCM-200) OPERATION

1) Servo signals generally created proportionately to the number of revolutions of the motor are shown either as frequency deviations or voltage deflections. The motor employed in GX-255 uses frequency deviation unaffected by time constants, etc., of the load circuit as input signal to the motor drive circuit through pulse width conversion.

This pulse width varies proportionately to the deviations in the number of motor rotations. The deviation is detected, converted to a voltage value, is held at that voltage until the next servo signal pulse, and then impressed into the motor drive circuit.

Meanwhile, since it requires a holding circuit and because 112 pulse are generated for each motor rotation, time constants of circuits coming before the Sample and Hold circuit can be greatly reduced compared to the conventional voltage deflection detection system.

For the reasons above, it features quick response to motor revolutions, minimum influence by temperature, and fewer chances of faulty mechanism. In addition, due to the inclusion of the servo voltage holding circuit, ripple content of the servo voltage has been sharply reduced to result in a smooth and stable tape transport with a minimum of wow & flutter.

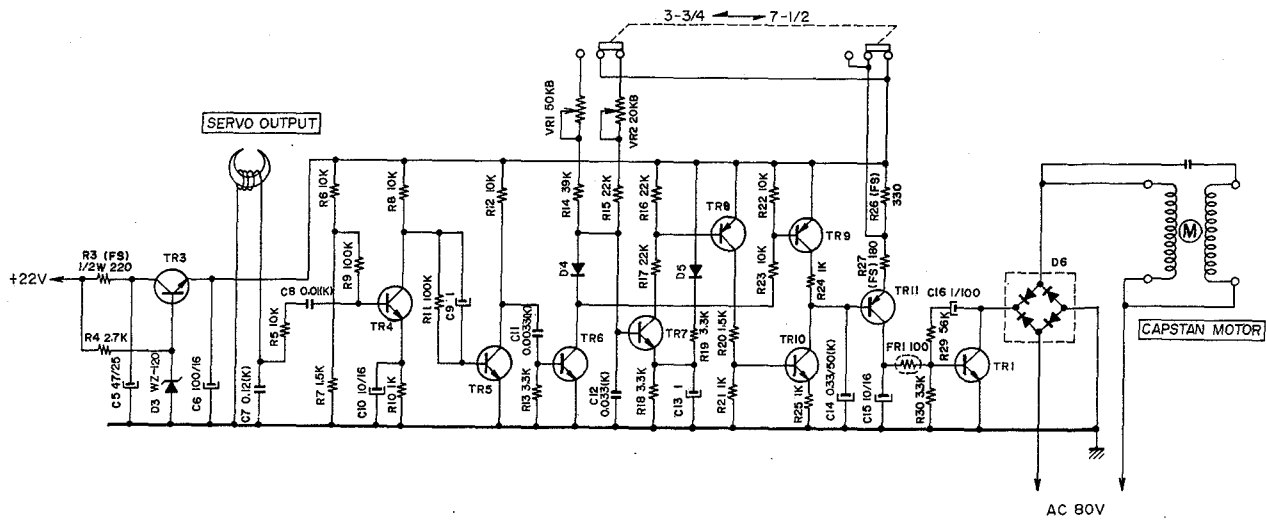


Fig. 8

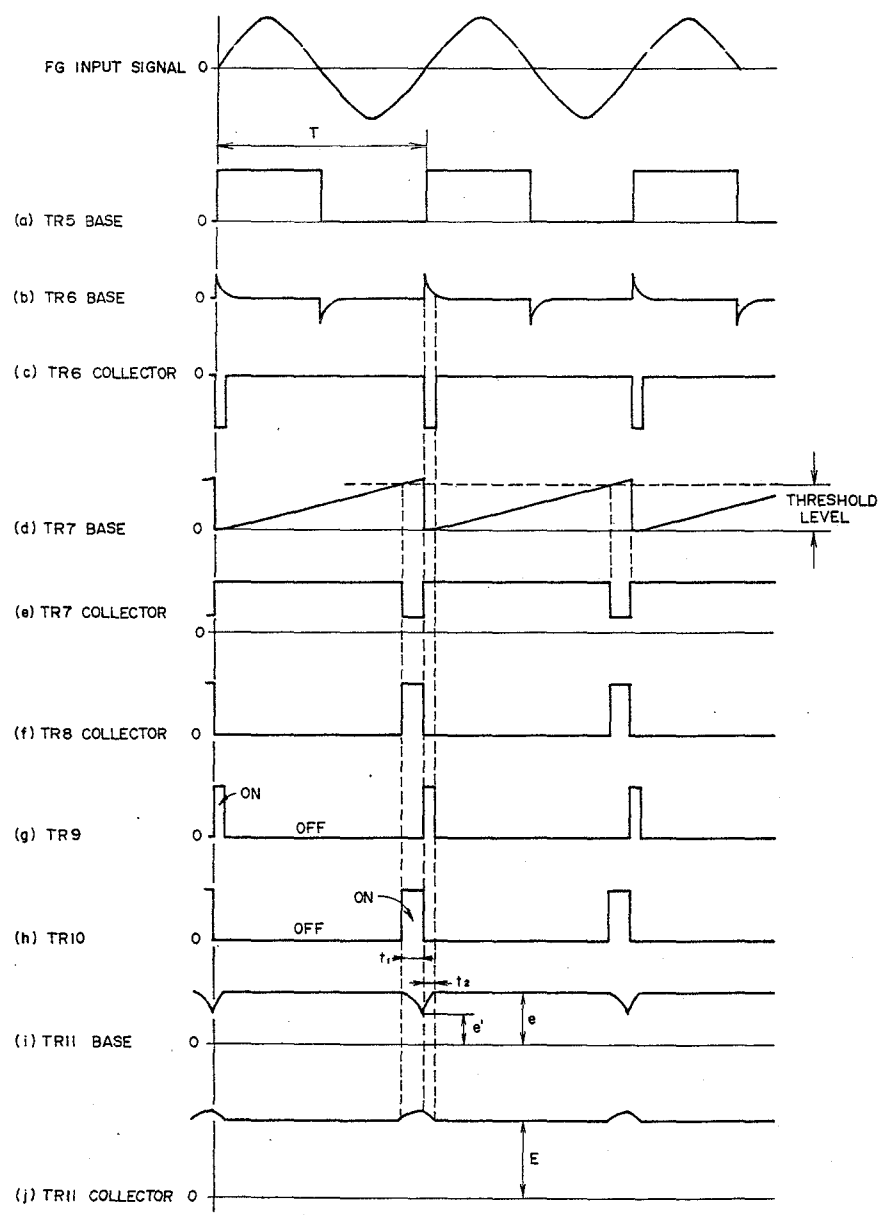


Fig. 9



---

## 2) Explanation of the circuit operation

(Refer to Figs. 8, 9)

The velocity signal obtained from the motor's frequency generator is shaped into a waveform in the period of "T" proportionate to the velocity as in (a) on collector TR15. This signal is differentiated and enters TR6 base. This makes TR6's collector output as in (c) and turns ON TR9 during the time of the negative pulse.

Meanwhile TR7 base is supplied with a waveform like (d) and when it reaches the threshold level, TR7 is turned on. A waveform (e) with pulse width " $t_1$ " is obtained from the collector. During the time "T" that TR7 is ON, TR8 base electric potential decreases to turn ON.

Consequently, TR10 base electric potential increases and TR10 is also turned ON for the time " $t_1$ ".

When the period "T" varies with the velocity, the pulse width " $t_1$ " varies according to TR7's threshold level. But when TR9 is on, it is constant due to the time constant. So that by using the period that TR9 is ON as the standard pulse, the pulse width " $t_2$ " is constant regardless of the velocity. (g) and (h) show the ON and OFF condition of TR9 and TR10.

When the electric charge that was charged to C14 is discharged during the time TR10 is ON " $t_1$ ", a signal voltage of "e" proportionate to the velocity can be obtained. Next, with "e" as its basis, C14 is charged during the limited time of the standard pulse width " $t_2$ ", and by the charging voltage "e" the charging is stopped.

The voltage is then held until the next standard pulse.

This voltage "e" is supplied to the TR11 base and a servo signal "E" is obtained. This servo signal "E" controls TR1 and drives the motor. As shown above, since " $t_1$ " and " $t_2$ " are small, servo signal ripples are made small and a near direct current servo signal is obtained.

In addition, the time constants of the smoothing circuit can also be made small that phase lag factor can be minimized.

## VII. MECHANISM ADJUSTMENT

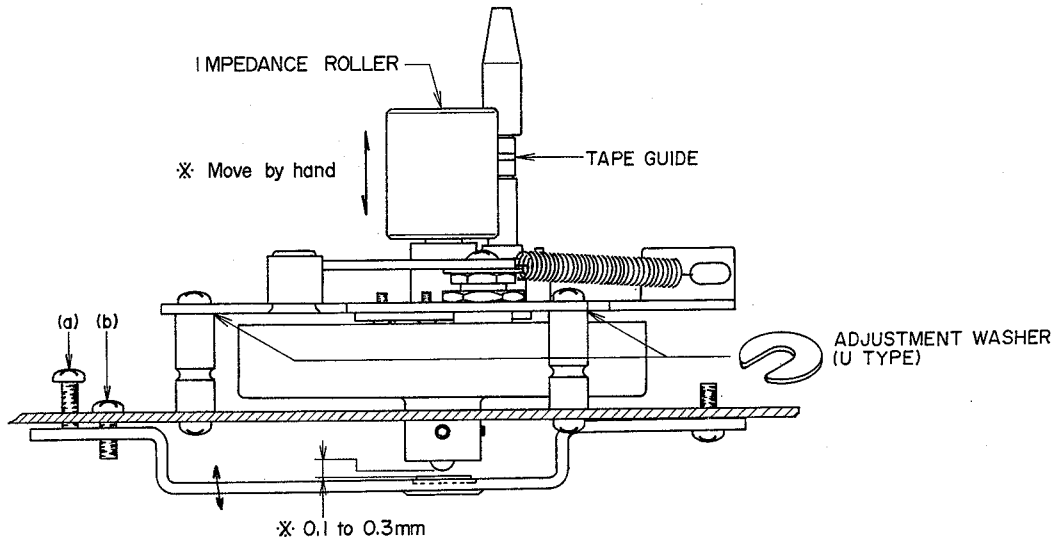


Fig. 10

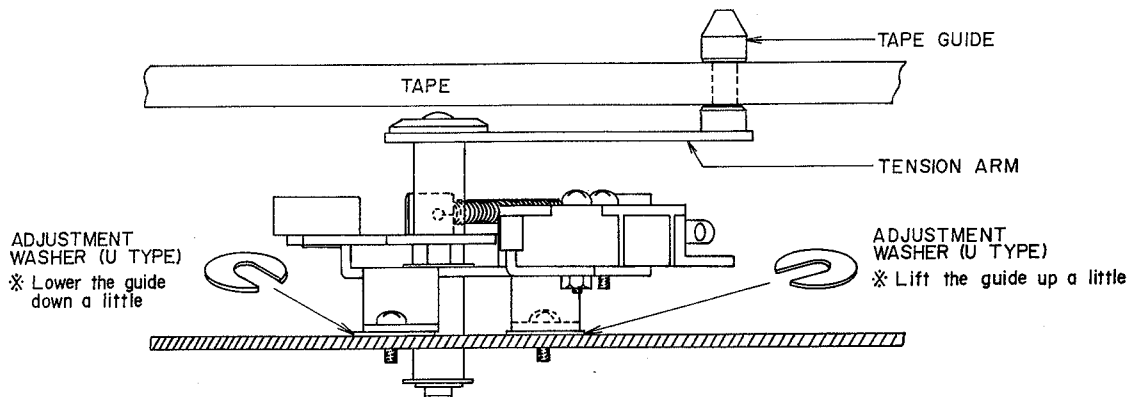


Fig. 11

### 1. TAPE GUIDE HEIGHT ADJUSTMENT

(Refer to Fig. 10 and 11)

Adjust the tape guide height so that the tape will not be twisted or caught by the tape guide but will smoothly travel in the FWD and REV modes.

#### 1) Left tape guide (Refer to Fig. 10)

Adjust the left tape guide height by inserting an U-washer between the impedance roller base and the prop. Insert washers with an identical thickness into three locations so that the impedance roller may not incline.

#### 2) Right tape guide (Refer to Fig. 11)

Adjust the right tape guide height by inserting U-washers between the mechanical frame and the tension arm base as shown in Fig. 11.

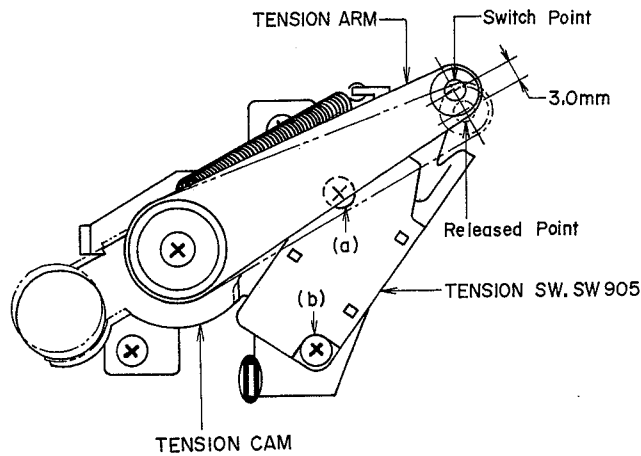


Fig. 12

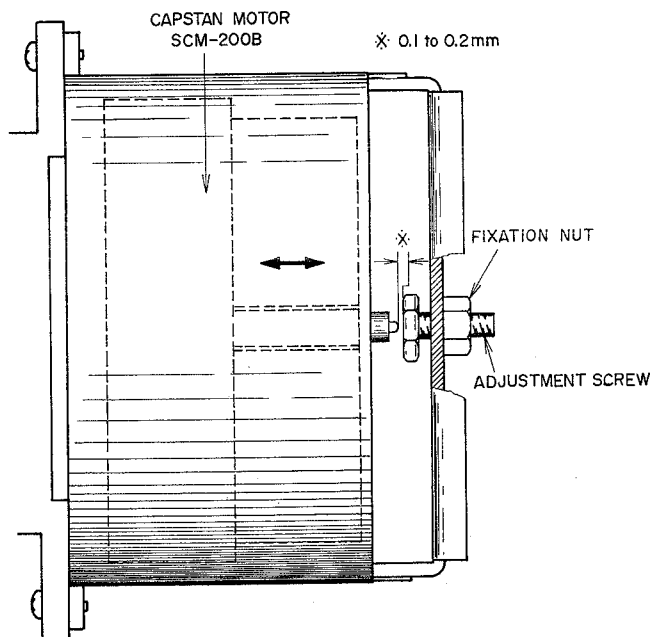


Fig. 13

## 2. TENSION MICROSWITCH POSITION ADJUSTMENT (Refer to Fig. 12)

Loosen fitting screw (a) and (b) and adjust the position of the tension micro switch so that the tension arm will move about 3 mm at the top until it is released after the micro switch has been opened, when the tension arm once raised is gradually lowered.

Also adjust the position of the tension micro switch so that the tension cam does not rub against the micro switch body.

## 3. IMPEDANCE ROLLER LOOSE PLAY ADJUSTMENT (Refer to Fig. 10)

Adjust Screw (a) and (b) so that impedance roller loose play is 0.1 to 0.3 mm. Confirm that the screws are tight following this adjustment.

## 4. CAPSTAN SHAFT LOOSE PLAY ADJUSTMENT (Refer to Fig. 13)

Adjust by turning Adjustment Screw to obtain a 0.1 to 0.2 mm degree of loose play when the capstan shaft is moved as indicated by the arrow mark. Tighten fixation nut to maintain optimum adjusted condition.

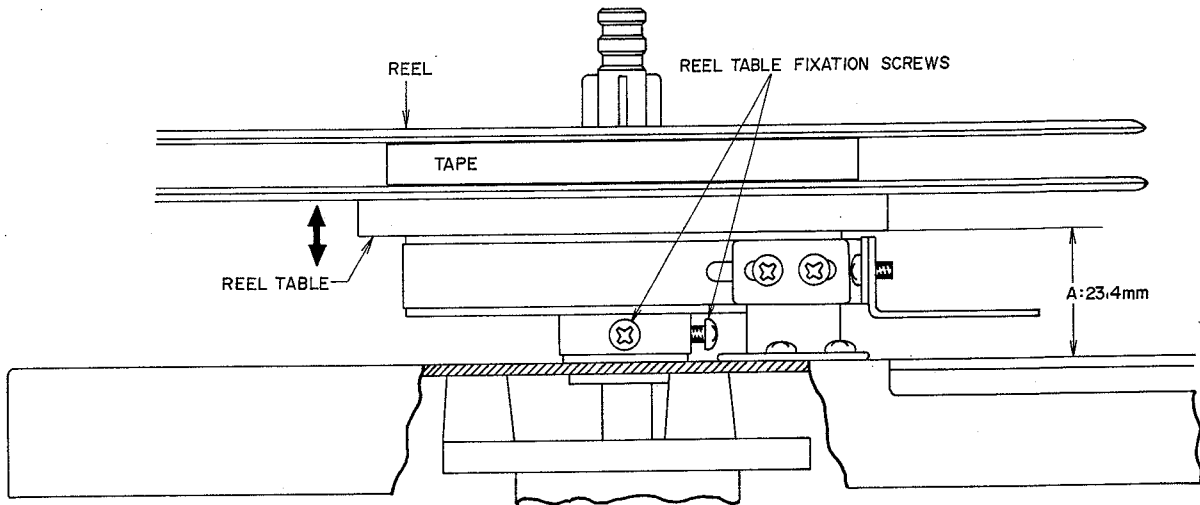


Fig. 14

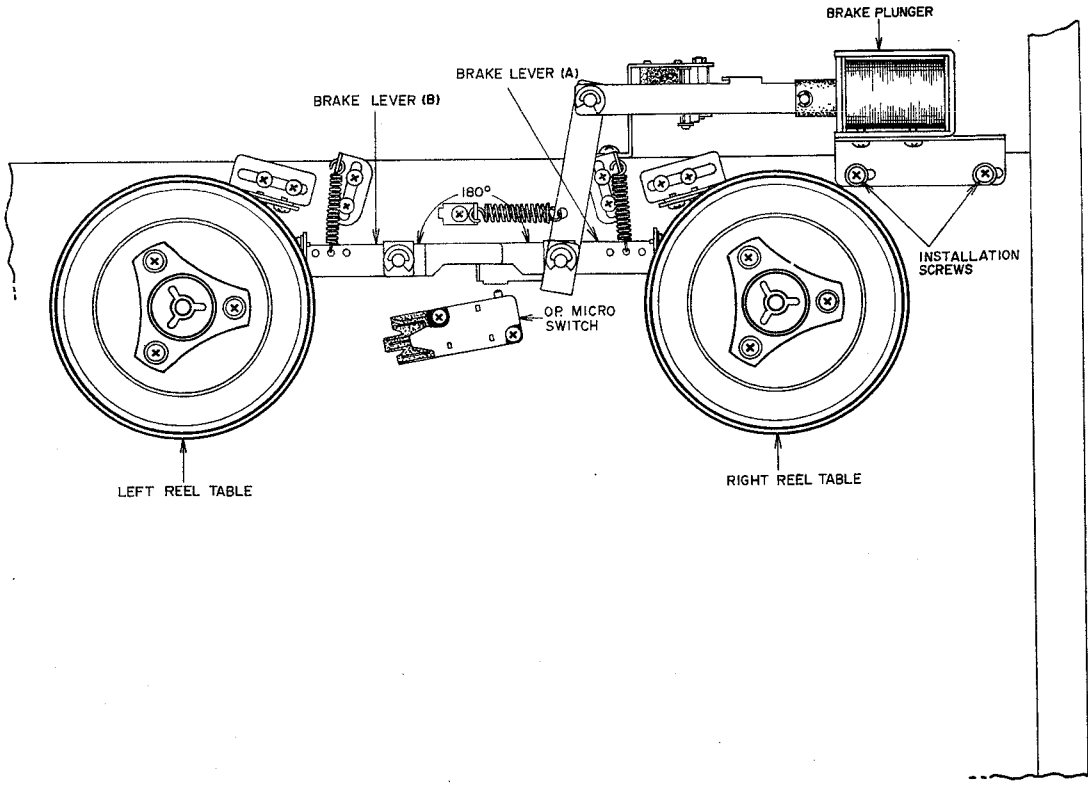


Fig. 15

**5. REEL TABLE HEIGHT ADJUSTMENT**  
(Refer to Fig. 14)

Loosen the fitting screw and adjust the reel table height so that the tape will be wound at the center of the reel in the FF mode for the right reel table and in the RWD mode for the left reel table.  
For reference height, the reel table is 23.4 mm high to its lower side above the mechanical frame.  
(Fig. 14)

**6. BRAKE PLUNGER INSTALLATION POSITION ADJUSTMENT** (Refer to Fig. 15)

At play mode, confirm that Brake Lever (A) and Brake Lever (B) display 180° angle relativity.  
If necessary, adjust brake plunger installation position.

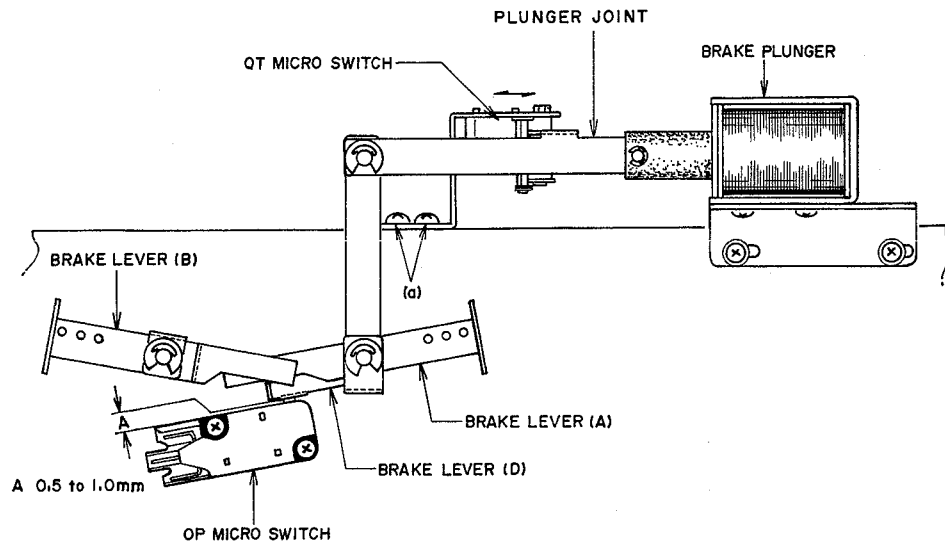


Fig. 16

### 7. QT MICRO SWITCH INSTALLATION POSITION ADJUSTMENT (Refer to Fig. 16)

To adjust the QT micro switch installation position, loosen the fitting screw (a) so that clearance A between the OP micro switch and the brake lever (D) will be 0.5 thru 1.0 mm in the STOP mode (with the brake plunger released).

The QT micro switch serves as the stopper for the plunger joint.

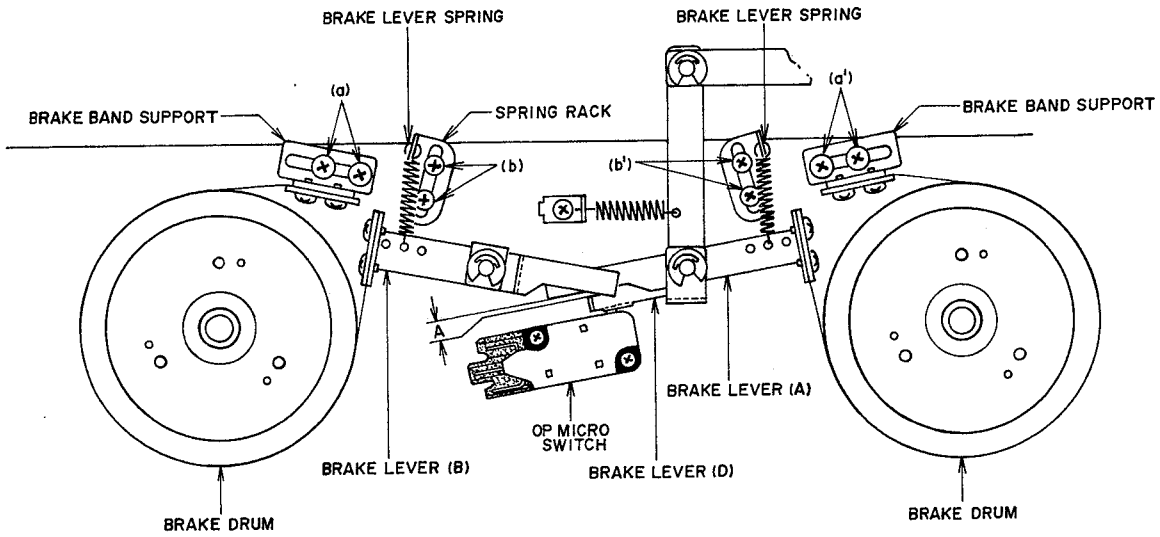


Fig. 17

### 8. BRAKE BAND POSITION AND BRAKE TENSION ADJUSTMENTS (Refer to Figs. 17, 18)

- 1) Remove the reel table from the brake drum.
- 2) Loosen screws (a) and (a') and adjust brake band support position so that clearance A between the brake lever (D) and brake lever (A) and (B) will be 1.0 thru 1.5 mm in the STOP mode (with the brake plunger released).
- 3) Put the brake plunger in operation and make sure that there is a clearance between the cloth on the outer circumference of the brake drum and the brake band.
- 4) Install the reel table onto the brake drum.
- 5) Loosen screws (b) and (b') and adjust the spring rack position so that both right and left brakes will have a tension of 350 thru 400 g in the STOP mode (with the brake plunger released).

If the specified brake tension cannot be obtained, hook the spring in another hole of the brake lever all over again to carry out the adjustment. (Use a 500 g spring gauge for a reel with 60 mm diameter of tape.)

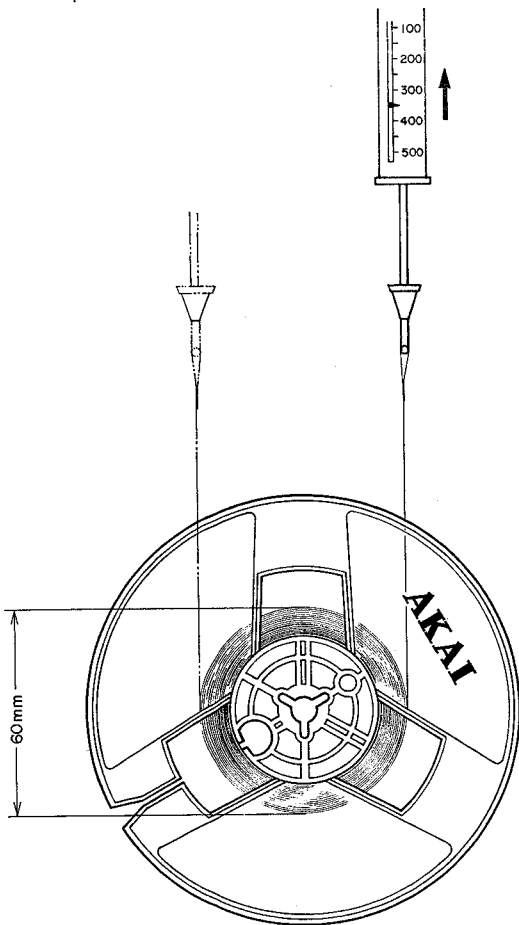


Fig. 18

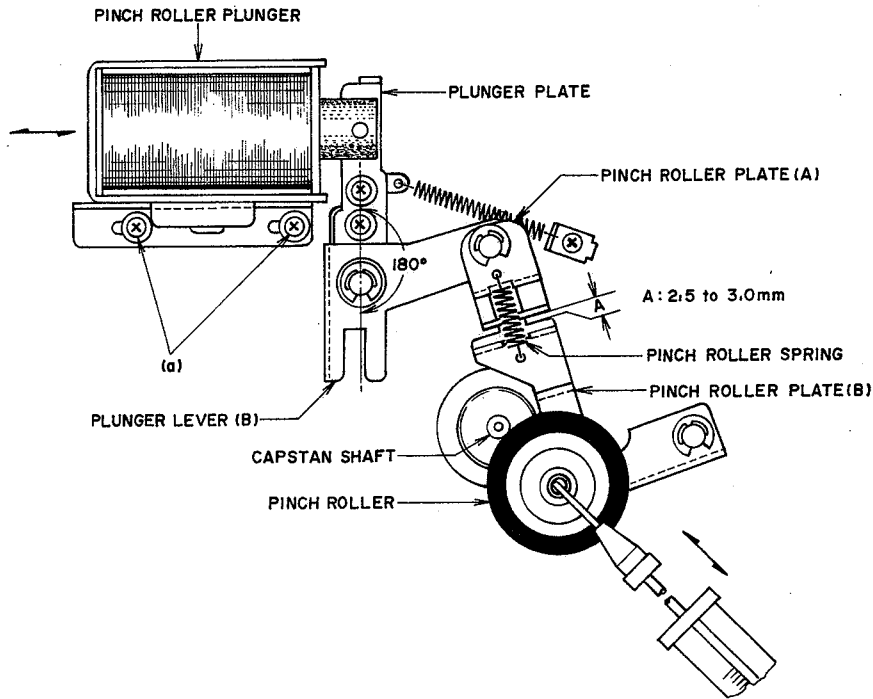


Fig. 19

## 9. PINCH ROLLER PLUNGER INSTALLATION POSITION AND PINCH ROLLER PRESSURE

### ADJUSTMENT (Refer to Fig. 19)

- 1) Make sure that the plunger plate and the plunger lever (B) are positioned at 180°.
- 2) Loosen the screw (a) and adjust the pinch roller plunger position so that clearance A between the pinch roller plates (A) and (B) will be 2.5 thru 3.0 mm in the PLAY mode.
- 3) Remove the pinch roller cap and put the system in the PLAY mode. With a spring gauge connected to the pinch roller shaft, separate the pinch roller about 1 or 2 mm away from the capstan and return it gradually. When the pinch roller comes in touch with the capstan and begins turning, read the spring gauge.

The specified Pinch Roller pressure is  $1,300 \pm 100$  g. If the specified pressure cannot be obtained, adjust clearance A by positioning the pinch roller plunger or replace the pinch roller spring, so as to attain the specified pressure.

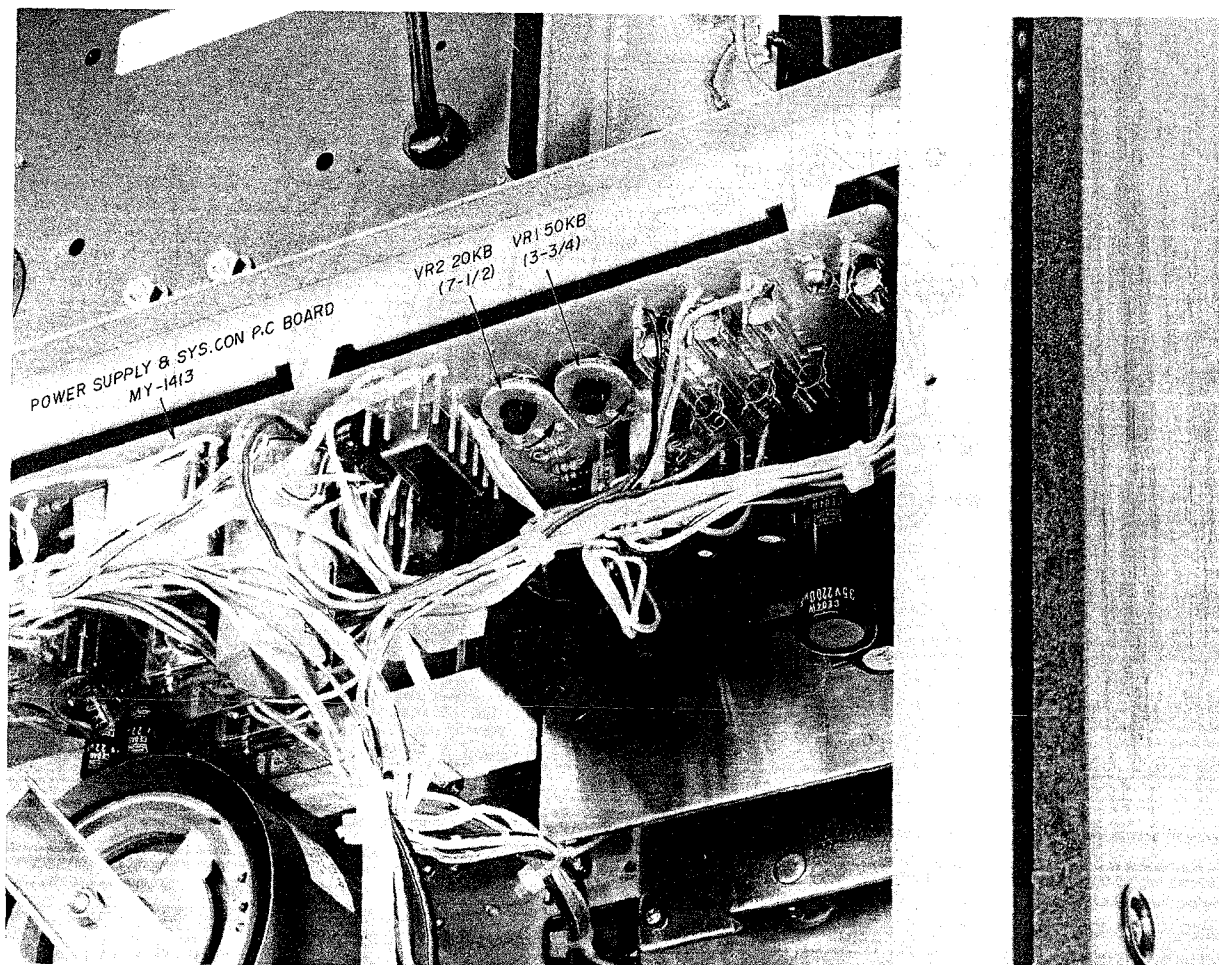


Fig. 20

## 10. TAPE SPEED ADJUSTMENT

(Refer to Fig. 20)

Set the Tape Speed Switch to 7-1/2 ips and playback the 1,000 Hz, 7-1/2 Test tape. Connect a frequency counter to LINE OUT and adjust VR2 20 kB until the counter reads 1,000 Hz  $\pm$  0.5%.

Next, set the Tape Speed Switch to 3-3/4 ips and adjust VR1 50 kB until the frequency counter reads 500 Hz  $\pm$  0.5%.



# VIII. HEAD ADJUSTMENT

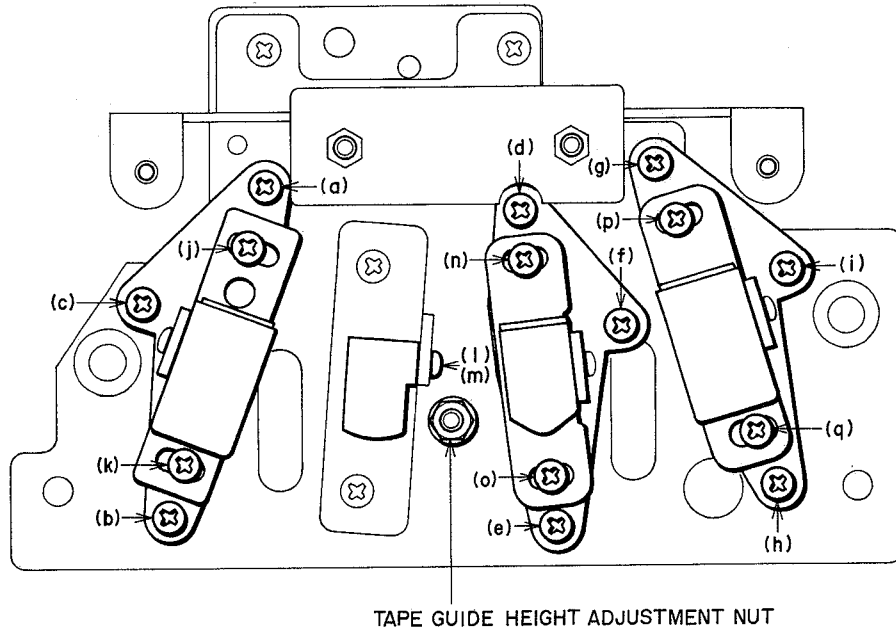


Fig. 21

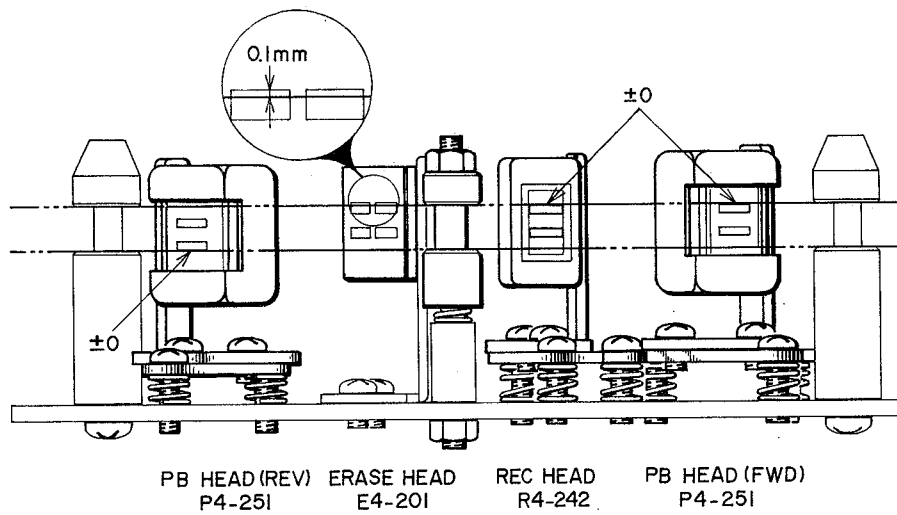


Fig. 22

Step	Adjustment Item	Test Tape Supply Signal	Mode	Adjustment Point	Remarks
1	Tape Guide Height	Optional	FWD	Tape Guide Height Adjustment Nut	Adjust so that tape travels smoothly and does not twist.
2	FWD Erase Head Height	Optional	FWD	(l) (m)	Upper edge of Left Ch. head core is 0.1 mm higher than upper edge of tape.
3	FWD Recording Head Height	Optional	FWD	(d) (e) (f)	Upper edges of Left Ch. head core and tape are the same height. (Refer to NOTE 6)
4	FWD Playback Head Height	Optional	FWD	(g) (h) (i)	Upper edges of Left Ch. head core and tape are the same height. (Refer to NOTE 6)
5	REV Playback Head Height	Optional	REV	(a) (b) (c)	Lower edges of Left Ch. head core and tape are the same height. (Refer to NOTE 6)
6	FWD Playback Head Azimuth Alignment	8,000 Hz 3-3/4 ips Test Tape	FWD	(h)	Maximum output, both channels
7	FWD Playback Head Angle Alignment	8,000 Hz 3-3/4 ips Test Tape	FWD	(p) (q)	Adjust head gap surface so that there is no change in output level when tension is applied to the supply reel side.
8	REV Playback Head Azimuth Alignment	8,000 Hz 3-3/4 ips Test Tape	REV	(c)	Maximum output, both channels
9	REV Playback Head Angle Alignment	8,000 Hz 3-3/4 ips Test Tape	REV	(j) (k)	Adjust head gap surface so that there is no change in output level when tension is applied to the supply reel side.
10	FWD Recording Head Azimuth Alignment	Scotch #176 Tape 15,000 Hz -20 dBm	REC	(f)	Maximum output, both channels.
11	FWD Recording Head Angle Alignment	Scotch #176 Tape 15,000 Hz -20 dBm	REC	(n) (o) (g)	Adjust head gap surface so that there is no change in output level when tension is applied to the supply reel side.

Chart-3

- NOTES:**
1. As perfect head adjustments are vital to tape deck performance, be sure that these adjustments are carried out properly.
  2. Be careful not to use a magnetized driver or other magnetized tools in the vicinity of the heads.
  3. Use only new tape as level variation is likely to occur when using old tape.
  4. Demagnetize heads with head demagnetizer before and after head adjustment.
  5. Set tape speed to 7-1/2 ips.
  6. Simultaneously adjust the front and back tilts of head until uniform contact is ensured between the tape and the surface of head.

# IX. AMPLIFIER ADJUSTMENT

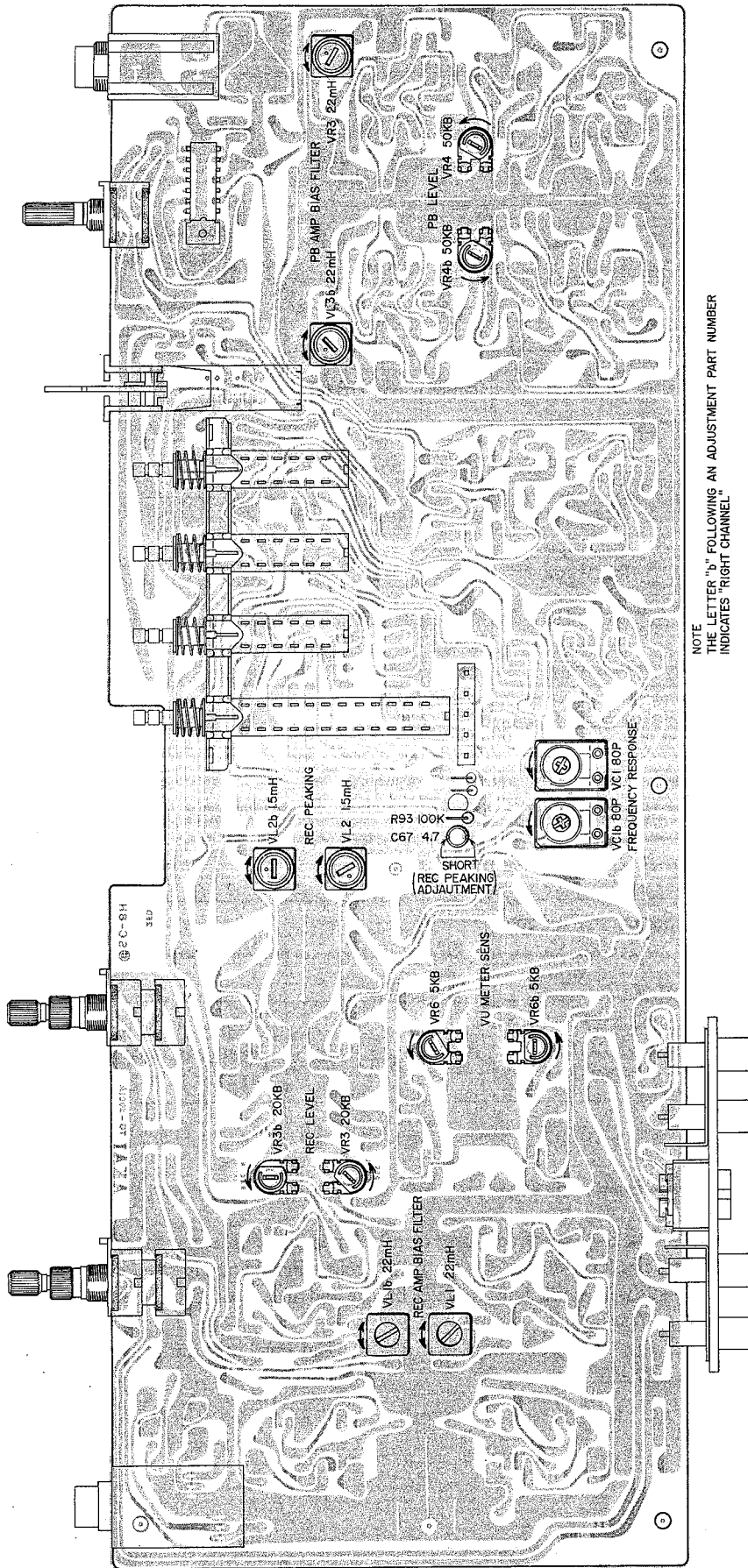


Fig. 23 Pre Amp P.C Board TG-5001A

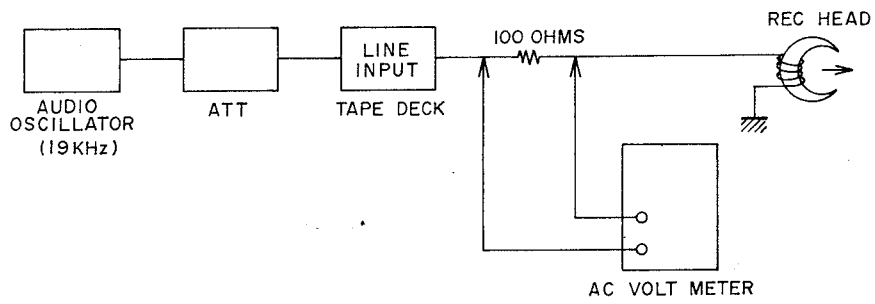


Fig. 24 Rec Peaking Adjustment Instrument Connection

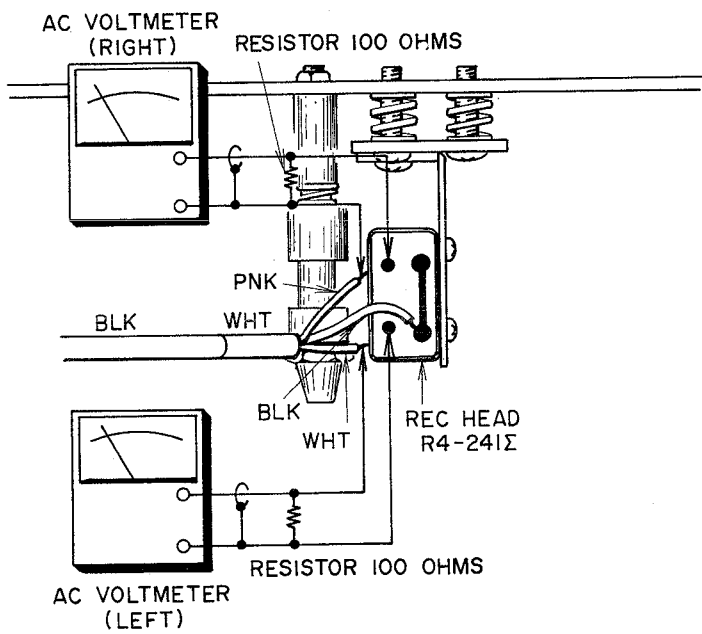


Fig. 25 Rec Peaking Adjustment

Step	Adjustment Item	Test Tape Supply Signal	Mode	Adjustment Point	Result	Remarks
1	Playback Level	700 Hz 7-1/2 ips 0 VU Test Tape	FWD	VR 4 50 kB	0 ± 0.5 dBm (0.775 V)	
2	VU Meter Sensitivity	700 Hz 7-1/2 ips 0 VU Test Tape	FWD	VR 6 5 kB	0VU indication	
3	REC Peaking	19 kHz from an oscillator	REC	VL 2 1.5 mH	Maximum AC Voltmeter indication	Tape Speed 3-3/4 ips. Refer to NOTE 4, 5, 7, and Figs. 23, 24,25.
4	Recording Level	Scotch #176 Tape 1,000 Hz 0 dBm Recording	REC/PB	VR 3 20 kB	0 ± 0.5 dBm (0.775 V)	
5	Frequency Response (3-3/4 ips)	Scotch #176 Tape 1.5 kHz, 15 kHz -20 dBm Recording	REC/PB	TC 1 80 P	1.5 kHz 15 kHz flat	Tape Speed 3-3/4 ips. Recheck Recording Level.
6	Distortion Confirmation	Scotch #176 Tape 1,000 Hz 0 dBm Recording	REC/PB		Less than 0.5%	See NOTE 6.
7	PB Amp Bias Filter	100 kHz from an oscillator	REC	VL 3 22 mH	Minimum AC Voltmeter indication	Set Monitor Switch to "TAPE". See NOTE 7, 8.
8	REC Amp Bias Filter	100 kHz from an oscillator	REC	VL 1 22 mH	Minimum AC Voltmeter indication	Set Monitor Switch to "SOURCE". See NOTE 7, 8.

Chart-4

- NOTES:**
1. Output Level Control should be at maximum.
  2. Except for Steps 3 and 5, set Tape Speed to 7-1/2 ips.
  3. Set Tape Selector Switch to Low Noise position.
  4. Stop recording bias oscillator while making Rec Peaking Adjustment. (Refer to Fig. 23.)
  5. When 19 kHz indicates the peak, check and ensure that the AC volt meter shows 16 dB of increase when 15 kHz of input is fed rather than when 1 kHz is fed.
  6. If it does not comply with the specifications, repeat Steps 4 and 5 and re-adjust.
  7. Unless the core is moved intentionally this adjustment is not necessary.
  8. Adjust the oscillator's frequency to give a frequency counter reading of 100 kHz.

## X. DC RESISTANCE OF VARIOUS COILS

Part	Designation	DC Resistance
Main Motor	SCM-200B	Between BLU-RED : 110 ohms Between YLW-BRN : 170 ohms Pick up Coil : 665 ohms
Reel Motor	24XO-MR	Between BLU-RED : 74 ohms Between YLW-BRN : 166 ohms
Pinch Roller Plunger	1664TLT	700 ohms $\pm$ 10%
Brake Plunger	1240TLT	600 ohms $\pm$ 10%
Relay	MY4-02-US-L	650 ohms $\pm$ 15%
Relay	3R111CD024D	1,150 ohms $\pm$ 10%
Relay	G2V-2	1,050 ohms $\pm$ 10%
Erase Head	E4-241	2.1 ohms
Recording Head	R4-242	5.9 ohms
Playback Head	P4-241	219 ohms

Chart-5

# XI. CLASSIFICATION OF VARIOUS P.C BOARDS

---

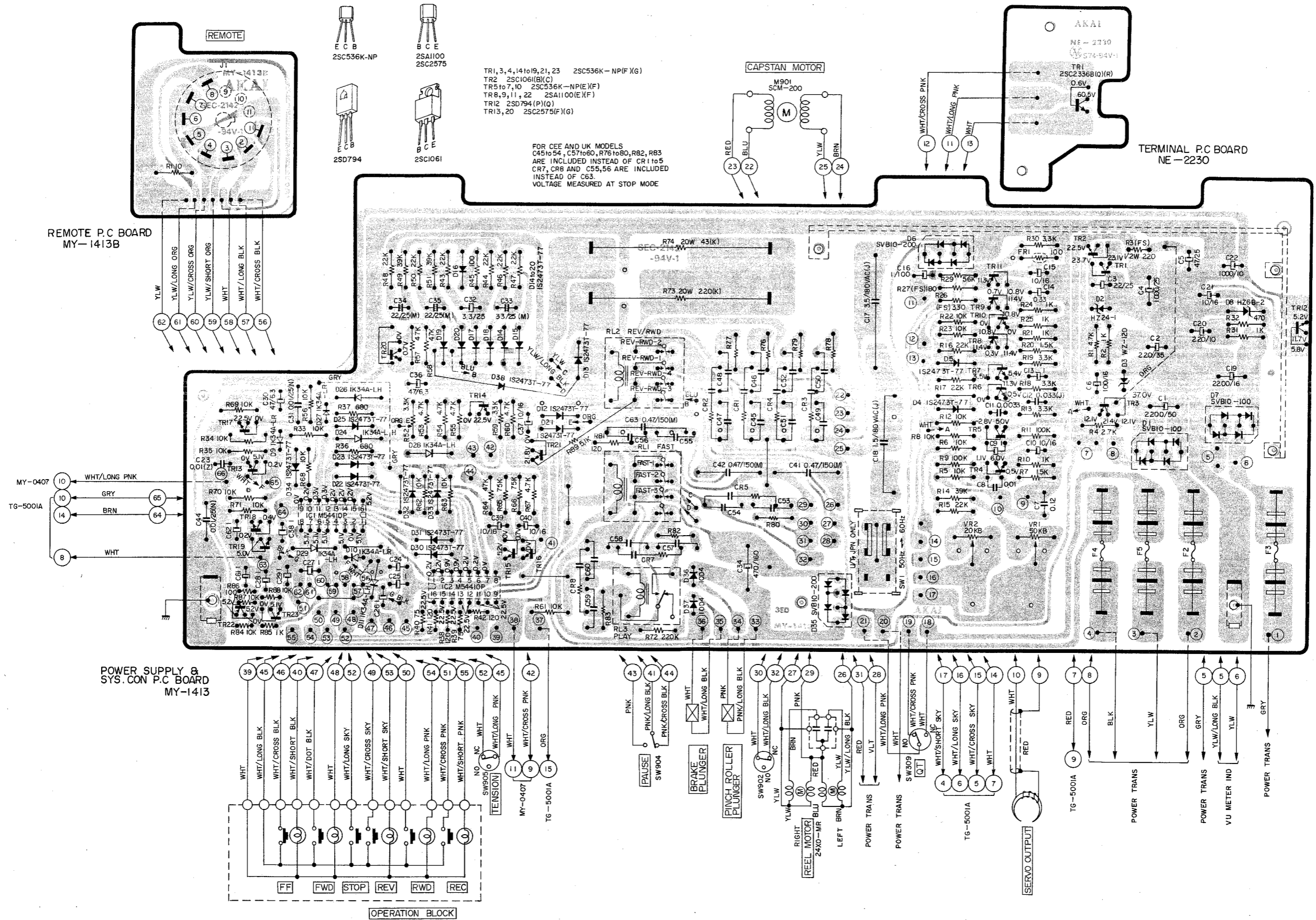
## 1. P.C BOARD TITLES AND IDENTIFICATION NUMBERS

P.C Board Title	P.C Board Number
Power Supply & Sys. Con P.C Board	MY-1413
Pre Amp P.C Board	TG-5001A
Fuse P.C Board	TG-5003
Remote P.C Board	MY-1413B
Terminal P.C Board	NE-2230
Relay P.C Board	MY-0407
LED P.C Board	TG-5001B

Chart-6

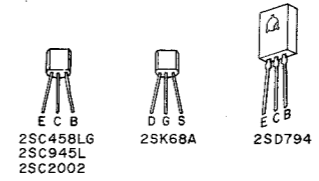
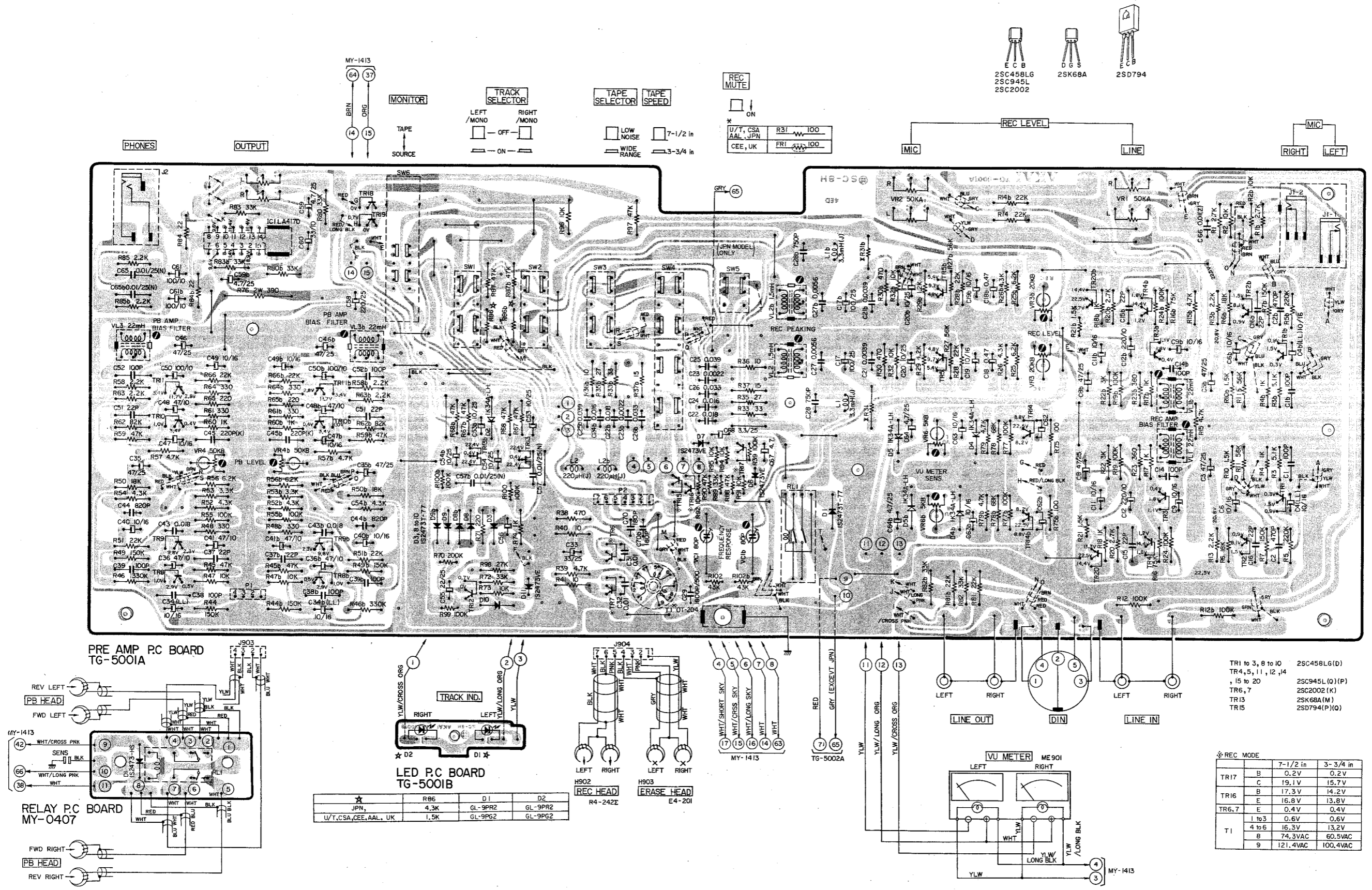
## 2. COMPOSITION OF VARIOUS P.C BOARDS

### 1) POWER SUPPLY & SYS. CON P.C BOARD MY-1413 (3ED), REMOTE P.C BOARD MY-1413B & TERMINAL P.C BOARD NE-2230

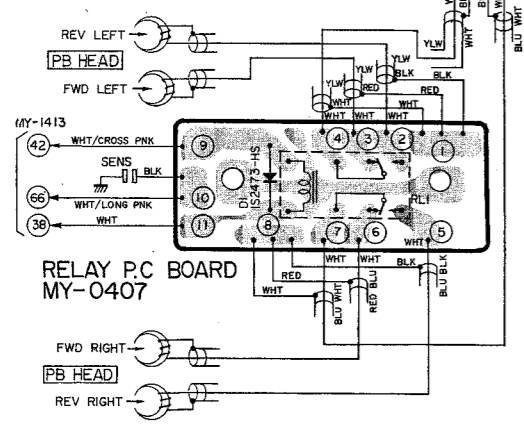




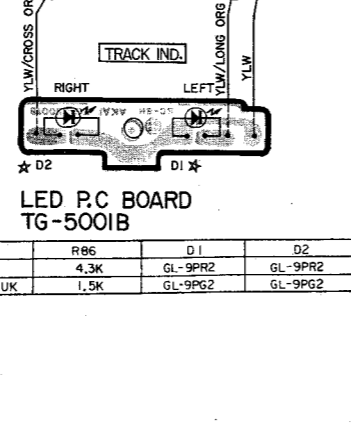
2) PRE AMP P.C BOARD TG-5001A (4ED), RELAY P.C BOARD MY-0407 & LED P.C BOARD TG-5001B



PRE AMP P.C BOARD TG-5001A



LED P.C BOARD TG-5001B

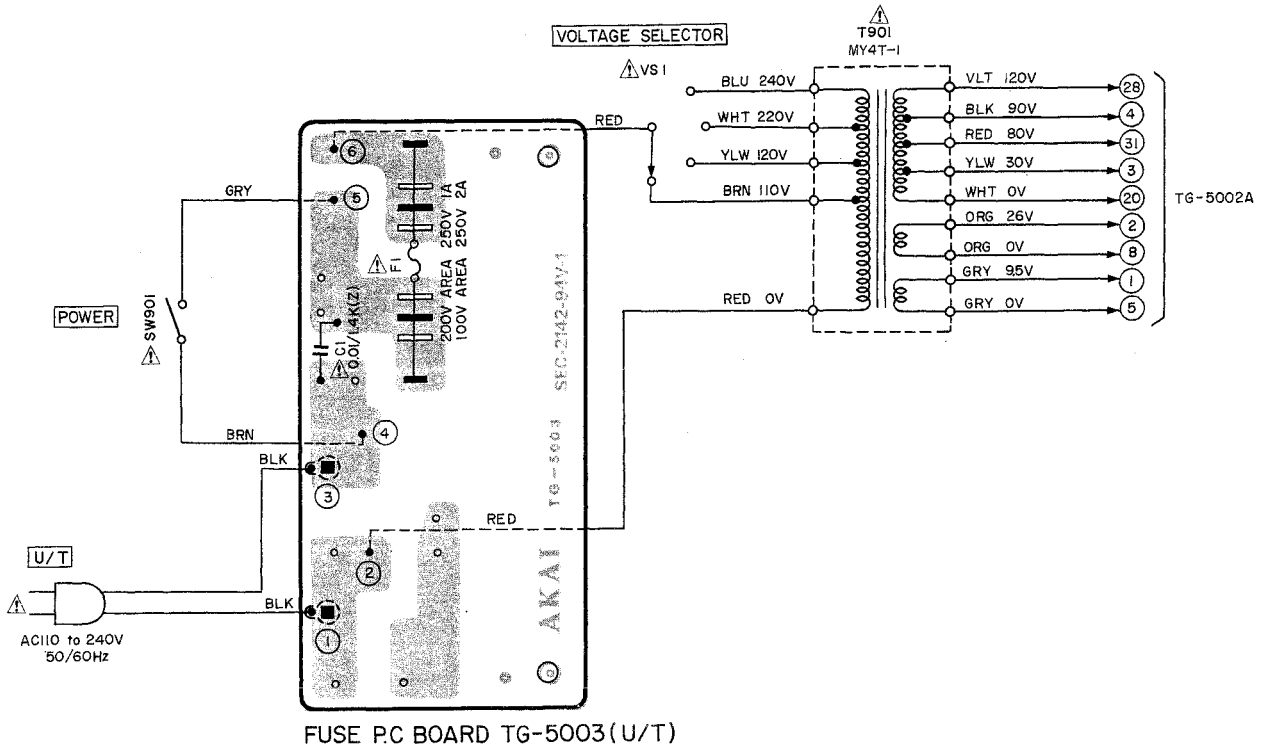


	R86	D1	D2
JPN.	4.3K	GL-9PR2	GL-9PR2
U/T, CSA, CEE, AAL., UK	1.5K	GL-9PG2	GL-9PG2

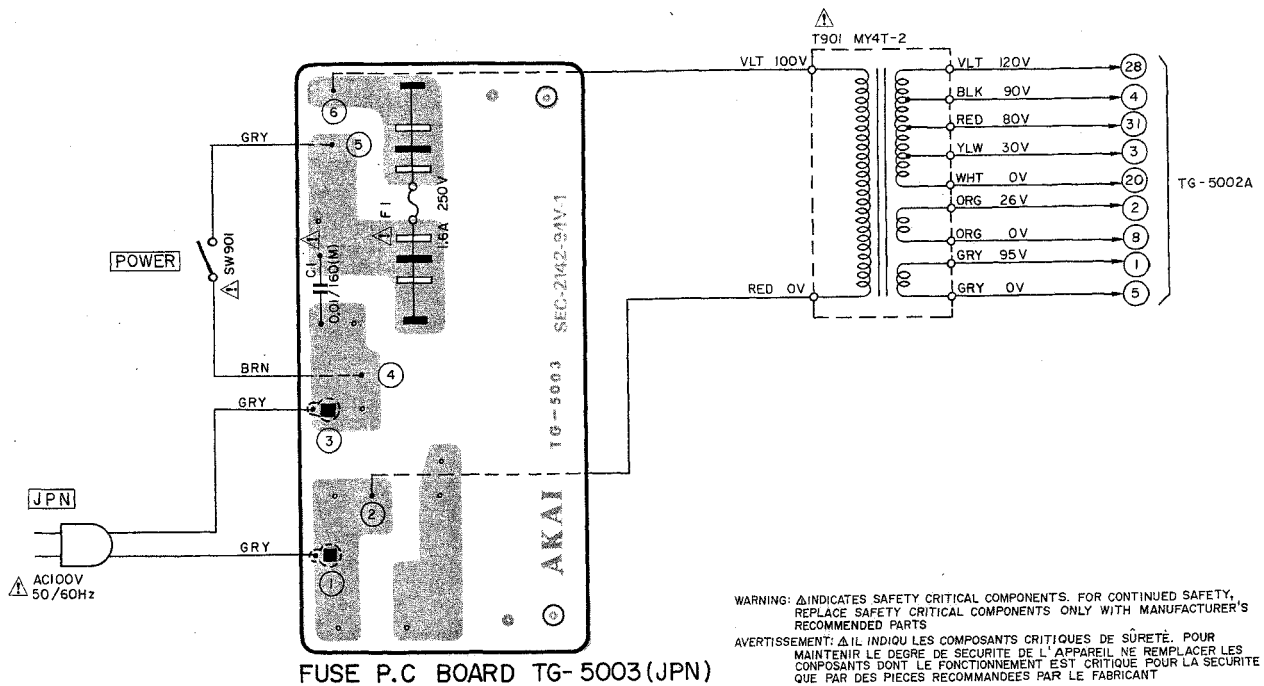
- TR1 to 3, 8 to 10 2SC458L6(D)
- TR4, 5, 11, 12, 14 2SC945L(O)(P)
- 15 to 20 2SC2002(K)
- TR6, 7 2SK68A(M)
- TR13 2SK68A(M)
- TR15 2SD794(P)(Q)

REC MODE		7-1/2 in	3-3/4 in
TR17	B	0.2V	0.2V
	C	19.1V	15.7V
	E	17.3V	14.2V
TR16	B	16.8V	13.8V
	E	0.4V	0.4V
	T1	1 to 3 0.6V	0.6V
TR6, 7	4 to 6	16.3V	13.2V
	B	74.3VAC	60.5VAC
	9	121.4VAC	100.4VAC

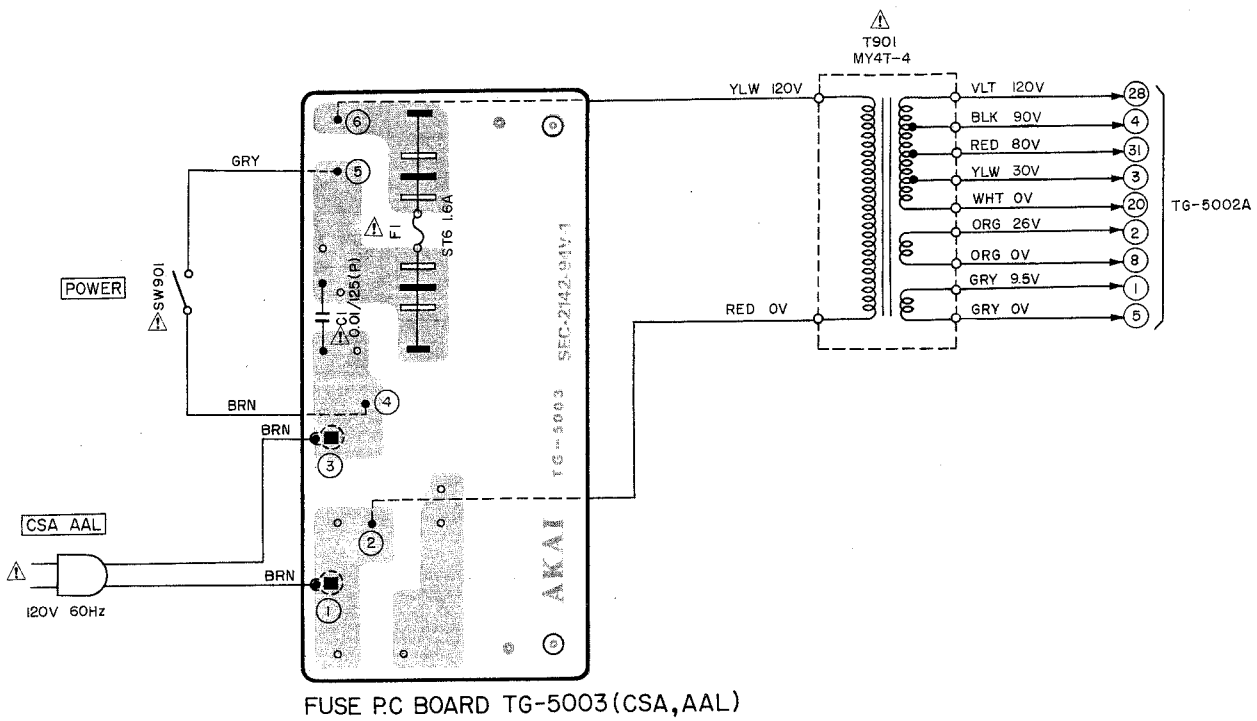
### 3) FUSE P.C BOARD TG-5003 (U/T)



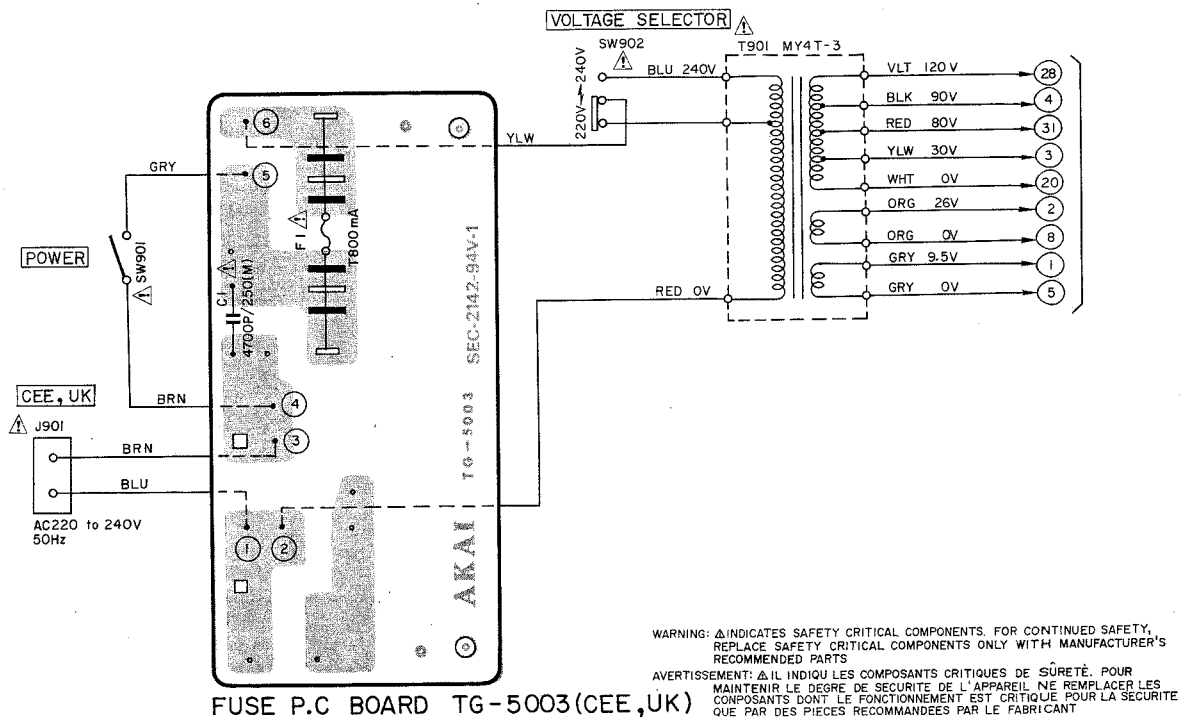
### 4) FUSE P.C BOARD TG-5003 (JPN)



5) FUSE P.C BOARD TG-5003 (CSA, AAL)



6) FUSE P.C BOARD TG-5003 (CEE, UK)



MEMO

---

MEMO

---

MEMO

---

MEMO

---

SECTION 2

**PARTS LIST**

TABLE OF CONTENTS

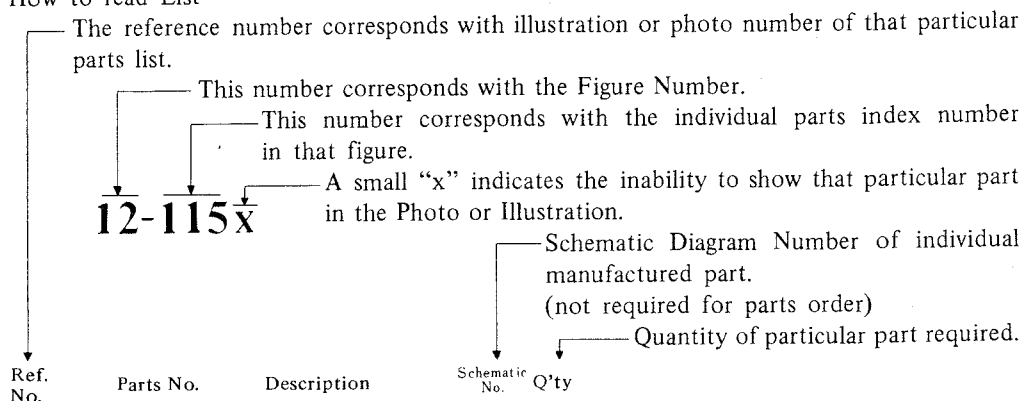
1. RECOMMENDED SPARE PARTS LIST .....	42
2. HEAD BASE BLOCK .....	44
3. MAIN MOTOR BLOCK .....	45
4. REEL TABLE/MOTOR/BRAKE DRUM BLOCK .....	46
5. IMPEDANCE ROLLER BLOCK .....	47
6. TENSION ARM/PAUSE SW. BLOCK .....	48
7. POWER SUPPLY BLOCK .....	49
8. MECHA ASSEMBLY BLOCK (1) .....	50
9. MECHA ASSEMBLY BLOCK (2) .....	52
10. PRE AMP P.C BOARD (TG-5001A) BLOCK .....	54
11. SYS. CON P.C BOARD (MY-1413A) BLOCK .....	54
12. FINAL ASSEMBLY BLOCK .....	56
INDEX .....	58

Resistor and Capacitor which is not listed in this parts list, please refer to COMMON LIST FOR SERVICE PARTS.



## HOW TO USE THIS PARTS LIST

1. This parts list is compiled by various individual blocks based on assembly process.
2. When ordering parts, please describe parts number, serial number, and model number in detail.
3. How to read List



Ref. No.	Parts No.	Description	Schematic No.	Q'ty
<b>FLYWHEEL BLOCK #13</b>				
12-115x	800425	Flywheel Block Assy. Comp.	RDG #13	1
12-116	244506	Flywheel Only	RD-233	1
12-117x	244754	Felt, Flywheel	RD-275	1
12-118	251324	Main Metal Case	RD-236	1
12-119	253080	Main Metal	RD-237	1

4. The symbol numbers shown on the P.C. Board list can be matched with the Composite Views of Components of the Schematic Diagram or Service Manual.
5. Please utilize separate "Common List for Service Parts" for Resistor Parts orders.
6. The shape of the parts and parts name, etc. can be confirmed by comparing them with the parts shown on the Electrical Parts Table of P.C. Board.
7. Both the kind of part and installation position can be determined by the Parts Number. To determine where a parts number is listed, utilize Parts Index at end of Parts List.  
It is necessary first of all to find the Parts Number. This can be accomplished by using the Reference Number listed at right of parts number in the Parts Index. (meaning of ref. no. outlined in Item 3 above).
8. Utilize separate "Price List for Parts" to determine unit price. The most simple method of finding parts Price is to utilize the reference number.

**CAUTION:**

1. When placing an order for parts, be sure to list the parts no., model no., and description. There are instances in which if any of this information is omitted, parts cannot be shipped or the wrong parts will be delivered.
2. Please be careful not to make a mistake in the parts no. If the parts no. is in error, a part different from the one ordered may be delivered.
3. Because parts number and parts unit supply in the Preliminary Service Manual (Basic Parts List) may be partially changed, please use this parts list for all future reference.

**WARNING:** **⚠** INDICATES SAFETY CRITICAL COMPONENTS. FOR CONTINUED SAFETY, REPLACE SAFETY CRITICAL COMPONENTS ONLY WITH MANUFACTURER'S RECOMMENDED PARTS.

**AVERTISSEMENT:** **⚠** IL INDIQU LES COMPOSANTS CRITIQUES DE SURETE. POUR MAINTENIR LE DEGRE DE SECURITE DE L'APPAREIL NE REMPLACER LES COMPOSANTS DONT LE FONCTIONNEMENT EST CRITIQUE POUR LA SECURITE QUE PAR DES PIECES RECOMMANDEES PAR LE FABRICANT.

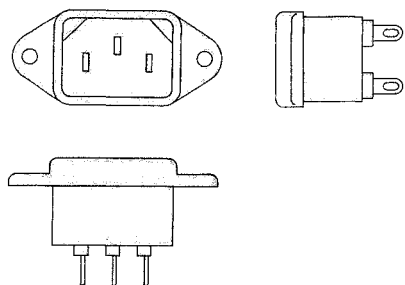
## AC INLET SYSTEM

This model is equipped with an AC INLET SYSTEM. Please refer to the AC INLET SYSTEM CHART below for the specific type. By the AC INLET SYSTEM, AC (mains) cord can be connected to and disconnected from the model because the model is provided with socket exclusively for AC (mains) cord on its main body.

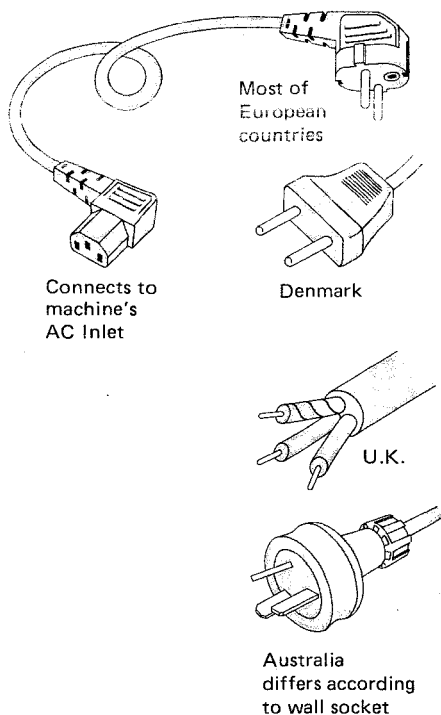
Please note, however, that certain models are not equipped with this system and has a built-in AC (mains) cord as before.

### AC INLET SYSTEM CHART

#### CLASS I



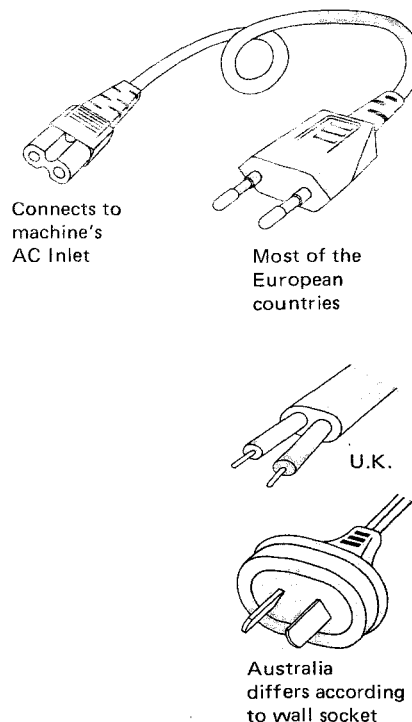
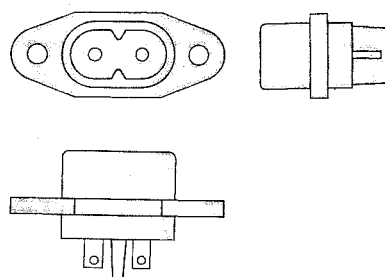
Picture 1  
AC INLET  
to be  
installed  
on machines



Picture 2  
AC (mains)  
cord

#### CLASS II

☐ This mark indicating double insulation will be attached to machine's rear panel



#### Parts List for AC (mains) Cord Set

Standard		Description	Type of AC Inlet	Parts No.
Class I	CEE	Cord Set CEE (3 cores)	3P	EW302993
	BEAB	Cord Set BEAB (3 cores)	3P	EW302994
	SAA	Cord Set SAA (3 cores)	3P	EW302996
	U/T	Cord Set U/T (3 cores)	3P	EW302646
Class II	CEE	Cord Set CEE (2 cores)	2P	EW638144
	BEAB	Cord Set BEAB (2 cores)	2P	EW302995
	SAA	Cord Set SAA (2 cores)	2P	EW302991
	U/T	Cord Set U/T (2 cores)	2P	EW302899

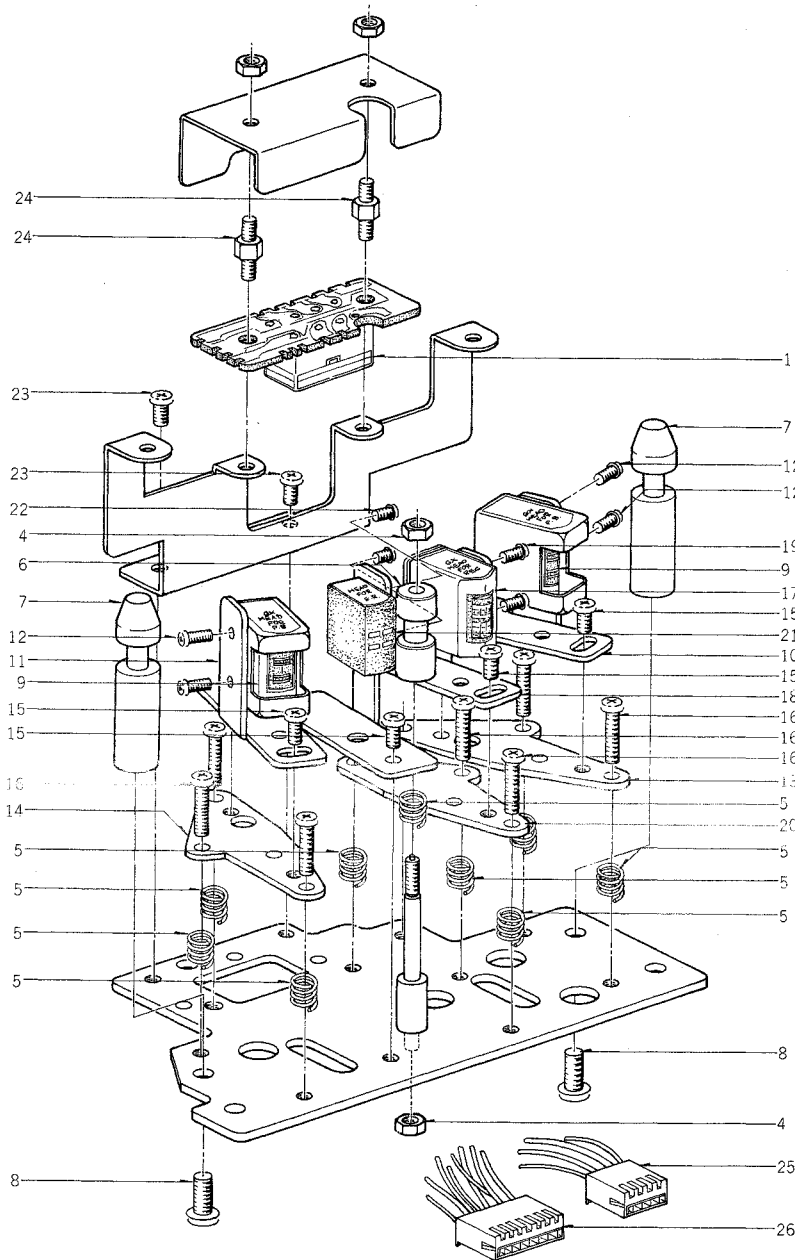
## 1. RECOMMENDED SPARE PARTS LIST

Because, if the parts listed below are on hand, almost any repair can be accomplished, we suggest that you stock these Recommended Spare Parts Items.

Parts No.	Description	Notes
BA314164	Pre Amp P.C Board Comp. GX-620 (U/T)	U/T, CSA, AAL
BA314166	Pre Amp P.C Board Comp. GX-620 (CEE)	CEE, UK, SAA
BA314165	Pre Amp P.C Board Comp. GX-620-J	JPN
BA314414	Sys. Con. P.C Board Comp. GX-255 (AAL)	AAL
BA318649	Sys. Con. P.C Board Comp. GX-255 (U/T)	U/T, JPN
BA318651	Sys. Con. P.C Board Comp. GX-255 (CEE)	CEE, UK, SAA
BA318650	Sys. Con. P.C Board Comp. GX-255 (CSA)	CSA
BH318600	Head Base Block Comp. GX-255	
BI318598	Impedance Roller Block Comp. GX-255	
BK318599	Operation SW. Assy GX-255	
BM314741	Motor Block Comp. GX-255	
BM318573	Motor Block Comp. (SCM-200B) GX-255	
BR697680	Reel Table Block Comp.	
BT316695	△ Power Trans. MY4T-1	U/T
BT316696	△ Power Trans. MY4T-2	JPN
BT316697	△ Power Trans. MY4T-3	CEE, UK, SAA
BT316698	△ Power Trans. MY4T-4	CSA, AAL
BZ622618	Tension Arm Block Comp. MY	
ED310585	LED GL-9PG2	Except JPN
ED310584	LED GL-9PR2	JPN
ED309070	Zener Diode HZ24-1	
ED309069	Zener Diode HZ6B-2	
ED510772	Zener Diode WZ-120	
EF313489	△ Fuse ST-6 0.5A	CSA, AAL
EF659711	△ Fuse ST-6 1.6A	CSA, AAL
EF277402	△ Fuse ST-6 1A	
EF563670	△ Fuse 0.5A 250V	U/T, JPN
EF616555	△ Fuse 1.6A 250V	JPN
EF563681	△ Fuse 1A 250V	U/T, JPN
EF563703	△ Fuse 2A 250V	U/T
EF623103	△ Fuse (SEMKO T Type) 1AT	CEE, UK, SAA
EF593706	△ Fuse (SEMKO T Type) 500MAT	CEE, UK, SAA
EF601942	△ Fuse (SEMKO T Type) 630MAT	CEE, UK, SAA
EF258344	△ Fuse (SEMKO T Type) 800MAT	CEE, UK, SAA
EI306141	IC LA4170	
EI308936	IC M54410P	
EI321021	IC M54519P	
EM316135	VU Meter KL-292B-1	
EM316689	VU Meter KL-292B-2	BL
EP316646	Plunger 1240 PLTI	

Parts No.	Description	Notes
EP316694	Plunger 1664 PLTI	
EP280743	Relay BR111CD024D	
EP316789	Relay G2V-2	
EP300132	Relay MY4-02-US-L	
ES309059	△ Push SW. JP-27	U/T, CSA, AAL
ES313622	△ Push SW. JP-27 (w/o Label)	JPN
ES310839	△ Push SW. SDG1P-E 5A/80A 250V	CEE, UK, SAA
ES306430	△ Slide SW. J-S4013#01	
ES315747	Lever SW. 42388	
ES562465	Micro SW. K-1	
ES316432	Micro SW. K-2 SEMKO	
ES573478	Micro SW. K-3	
ES316158	Push SW. SUF-44	
ES316159	Push SW. SUF-54	
ES309094	Slide SW. SL13-6-6-2-2-B	U/T, JPN
ET313717	FET 2SK68A (M)	
ET316640	Transistor 2SA1100 (E) (F)	
ET375603	Transistor 2SC1061 (B) (C)	
ET304181	Transistor 2SC2002 (K)	
ET308947	Transistor 2SC2336B (Q) (R)	
ET352146	Transistor 2SC458LG (D)	
ET316171	Transistor 2SC536K-NP (E) (F)	
ET316643	Transistor 2SC536K-NP (F) (G)	
ET639437	Transistor 2SC945L (Q) (P)	
ET307349	Transistor 2SD794 (P) (Q)	
EV315751	Double-Axial 2-Throw/Vol. DM20R 50KA×2	
EV313538	Single-Axial 2-Throw/Vol. GM80R 10KB×2	
HE311139	Erase Head E4-201	
HP318522	PB Head P4-251	
HP321150	REC Head R4-242	
MB625566	Counter Belt	
MC318639	Counter Part MP490-37	
MC318640	Counter Part MP490-38	BL
MI305146	Flywheel Part	
MP625048	Pinch Roller (H) Part MY	
MS342000	Reel Shaft	

## 2. HEAD BASE BLOCK

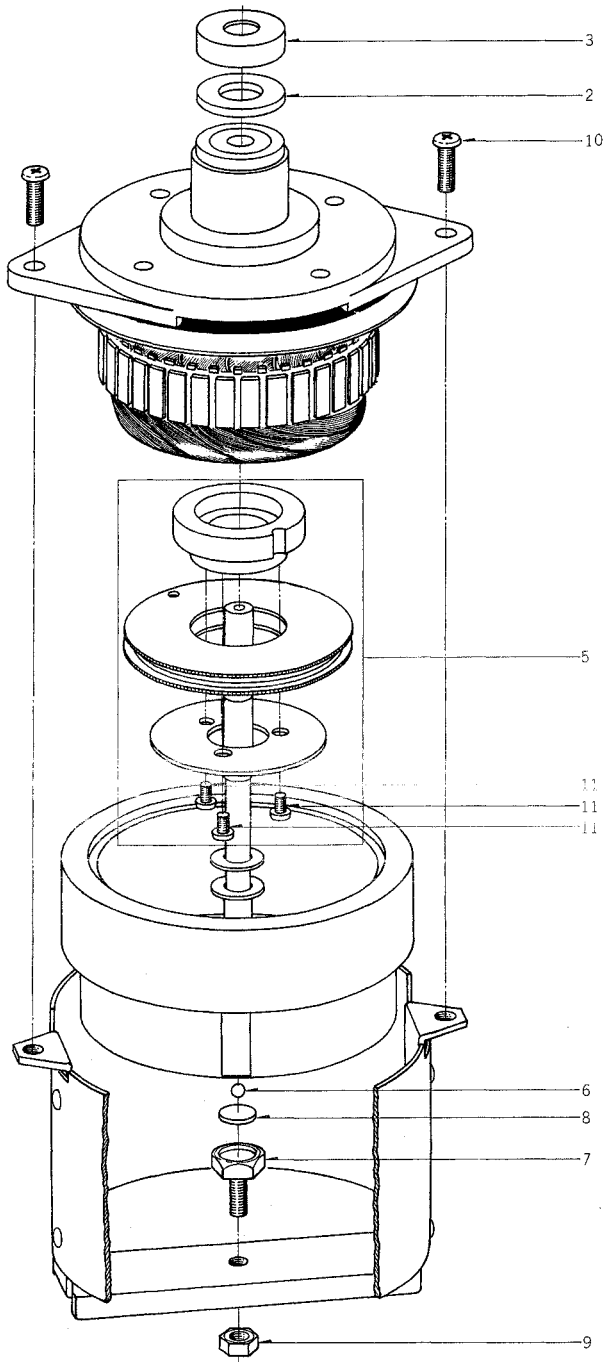


### HEAD BASE BLOCK

Ref. No.	Parts No.	Description	Schematic No.	Ref. No.	Parts No.	Description	Schematic No.
<b>RELAY P.C BOARD BLOCK</b>							
2-1	EP316789	Relay G2V-2	47-2-33	2-13	HZ316701	P Head Base (A)	MY-0402
2-2x	ED316143	Silicon Diode 1S2473-HS	45-3-53	2-14	HZ316702	P Head Base (B)	MY-0402
<b>HEAD BASE BLOCK</b>							
2-3x	BH318600	Head Base Block Comp. GX-255		2-15	ZS304806	Screw, Bind 3x5 (Black)	
2-4	ZW265522	Nut, #2 M3		2-16	ZS608501	Screw, Pan 3x12 (Black)	
2-5	ZG466312	Angle Adjust Spring (E)	BS-0018	2-17	HP321150	REC Head R4-242	
2-6	HZ532710	Tape Guide (B)	TW-0006	2-18	HA316009	RH Angle	TG-0008
2-7	HZ316005	Tape Guide	TG-0004	2-19	ZS39741	Screw, Pan 2x4 (Black)	
2-8	ZS413201	Screw, Pan 4x8		2-20	HZ316008	R Head Base	TG-0007
2-9	HP318522	PB Head P4-251		2-21	HE311139	Erase Head E4-201	
2-10	HA316007	PH Angle	TG-0006	2-22	ZS304464	Screw, Pan 2x3 (Black)	
2-11	HA316703	PH Angle	MY-0403	2-23	ZS422076	Screw, Pan 3x5	
2-12	ZS608411	Screw, Pan 2x5 (Black)		2-24	ZS316706	Shield Hold Screw	MY-0408
				2-25	EJ316129	4P Micro Connector Assy	26-6-332
				2-26	EJ316130	7P Micro Connector Assy	26-6-333

When ordering parts, please describe Parts Number, Description, and Model Number in detail.

### 3. MAIN MOTOR BLOCK

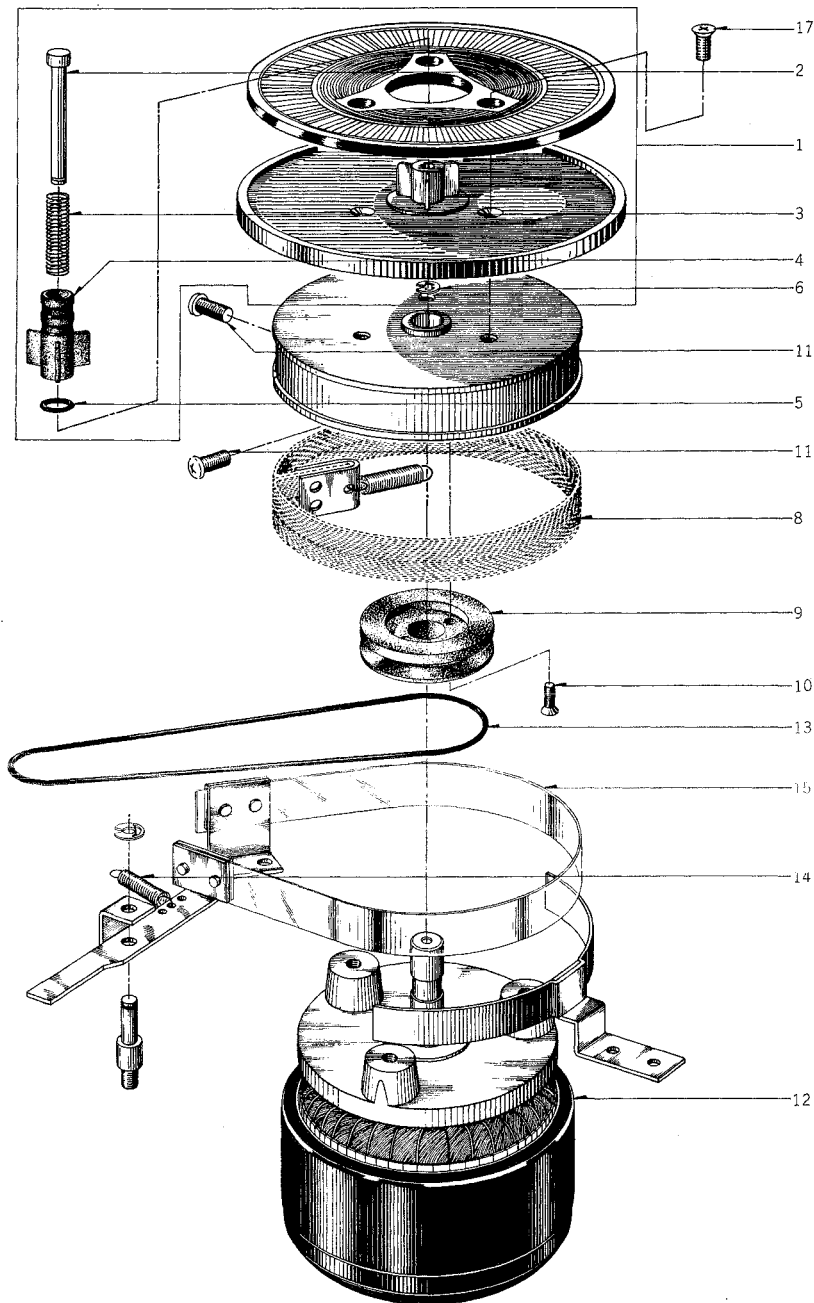


#### MAIN MOTOR BLOCK

Ref. No.	Parts No.	Description	Schematic No.
3-1x	BM318573	Motor Block Comp. (SCM-200B) GX-255	
3-2	ZW597622	Felt Washer	KJ-7022
3-3	SK597633	Cap	KJ-7023
3-4x	ZS608308	Screw, Pan 3×18 w/Washer	
3-5	BZ308315	Detection Gear Assy GX-635D	
3-6	MV368886	Steel Ball D3	
3-7	MZ585900	Shaft Support	LS-1203
3-8	MZ597690	Ball Holder	KJ-7029
3-9	ZW413278	Nut, #1 M5	
3-10	ZS413201	Screw, Pan 4×8	
3-11	ZS201508	Screw, Pan 2×4	

When ordering parts, please describe Parts Number, Description, and Model Number in detail.

#### 4. REEL TABLE/MOTOR/BRAKE DRUM BLOCK



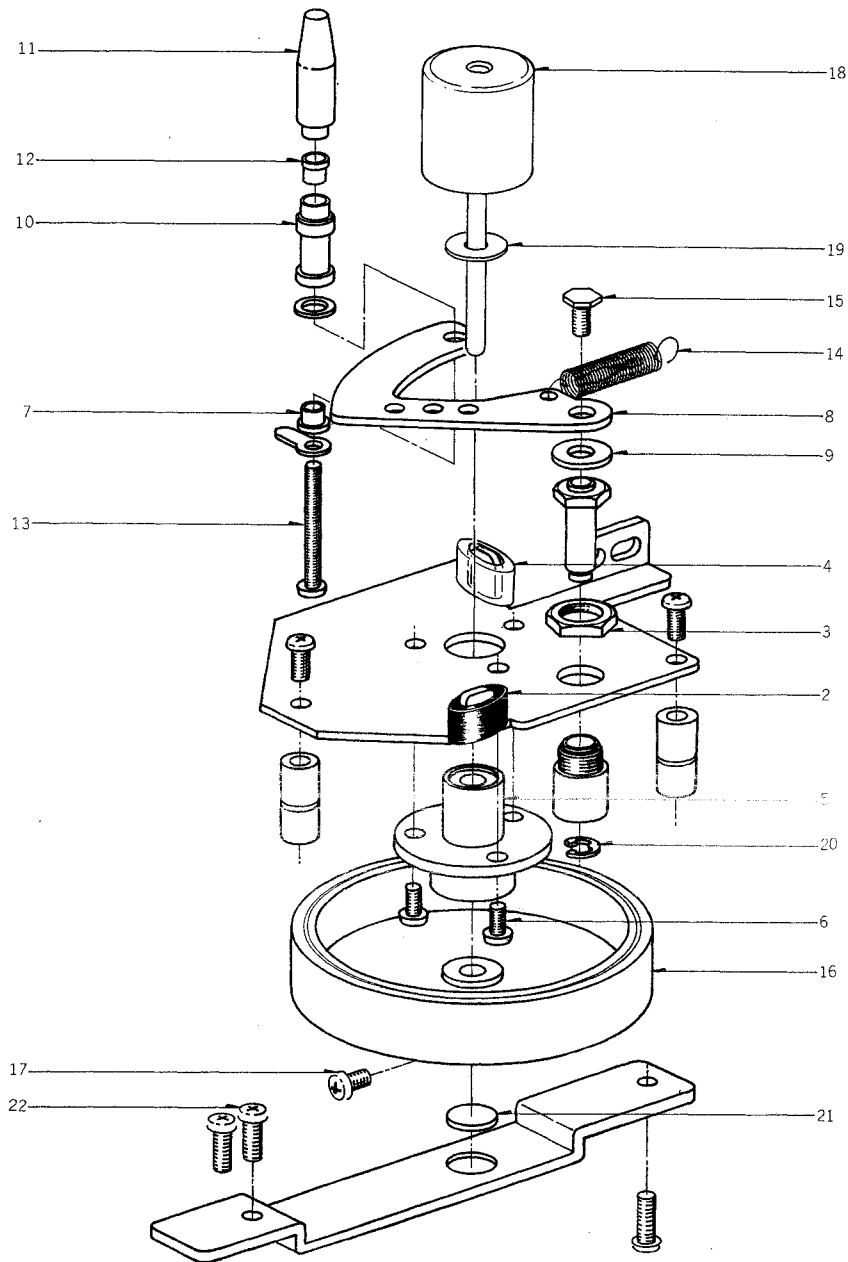
#### REEL TABLE/MOTOR/BRAKE DRUM BLOCK

Ref. No.	Parts No.	Description	Schematic No.
<b>REEL TABLE BLOCK</b>			
4-1	BR697680	Reel Table Block Comp.	
4-2	MS342000	Reel Shaft	3R-108
4-3	ZG255633	Reel Spring	3R-109
4-4	MT255420	Reel Retainer	3R-102
4-5	MT516565	'O' Ring 2.8x1.9	3R-139
4-6	ZW270088	'E' Ring 1.9M	6-1-9
<b>BRAKE DRUM BLOCK</b>			
4-7x	ZS417216	Screw, Pan 3x4	
4-8	MT436860	Brae Cloth Comp.	MR-269
4-9	MR317507	Counter Pulley (Take-up)	MR-217

Ref. No.	Parts No.	Description	Schematic No.
4-10	ZS433315	Screw, Countersunk 2.3x8	
4-11	ZS424056	Screw, Pan 4x10	
<b>REEL MOTOR BLOCK</b>			
4-12	BM314741	Motor Block Comp. GX-255	
4-13	MB625566	Counter Belt	MY-1046
4-14	ZG315011	Brake Lever Spring	MR-116
4-15	MT314987	Brake Band	MR-213
4-16	ZS403222	Screw, Countersunk Head 3x10	

When ordering parts, please describe Parts Number, Description, and Model Number in detail.

## 5. IMPEDANCE ROLLER BLOCK



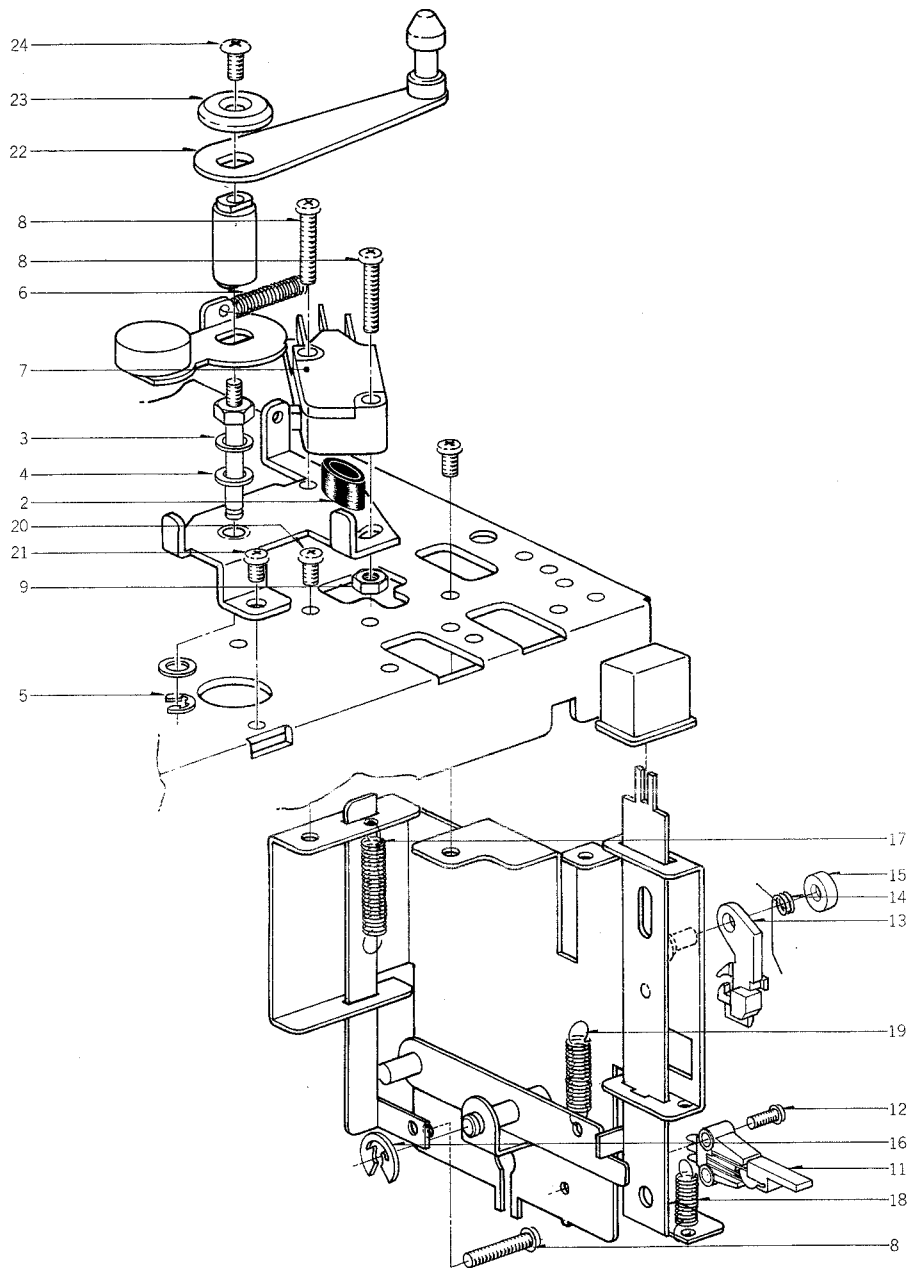
### IMPEDANCE ROLLER BLOCK

Ref. No.	Parts No.	Description	Schematic No.	Ref. No.	Parts No.	Description	Schematic No.
5-1	BI318598	Impedance Roller Block Comp. GX-255		5-13	ZS484828	Screw, Binding Head 2.3x25	
5-2	SZ322285	Stopper Cushion (A)	MY-2421	5-14	ZG646020	Z Arm Spring	MY-2059
5-3	ZW603990	Metal Nut	6-3-9	5-15	ZS316736	Sensing Arm Screw	MY-2410
5-4	MB606712	Stopper Rubber KJ	KJ-2060	5-16	MI305146	Flywheel Part	MY-2078
5-5	BZ283432	Main Case Part	MY-2074	5-17	ZS422076	Screw, Pan 3x5	
5-6	ZS499331	Screw, Pan Head 2.3x5		5-18	MS301415	Z Roller Part	MY-2077
5-7	EZ606701	Insulator Collar (L)	KJ-2039	5-19	ZW301378	Washer D3x10x0.5t Teflon	
5-8	ML318410	Sensing Arm	MY-2414	5-20	ZW270101	'E' Ring 3M	6-1-9
5-9	ZW281913	Washer D4.3x11x0.1t PBP		5-21	ZW462205	Washer (Nylon) D7.9x1t (Without Hole)	
5-10	MZ597172	Sensing Post (Lower)	KJ-2040	5-22	ZS421806	Screw, Pan 3x8	
5-11	MZ597150	Sensing Post (Upper)	KJ-2038				
5-12	SE597161	Insulator Collar (S)	KJ-2039				

When ordering parts, please describe Parts Number, Description, and Model Number in detail.



## 6. TENSION ARM/PAUSE SW. BLOCK

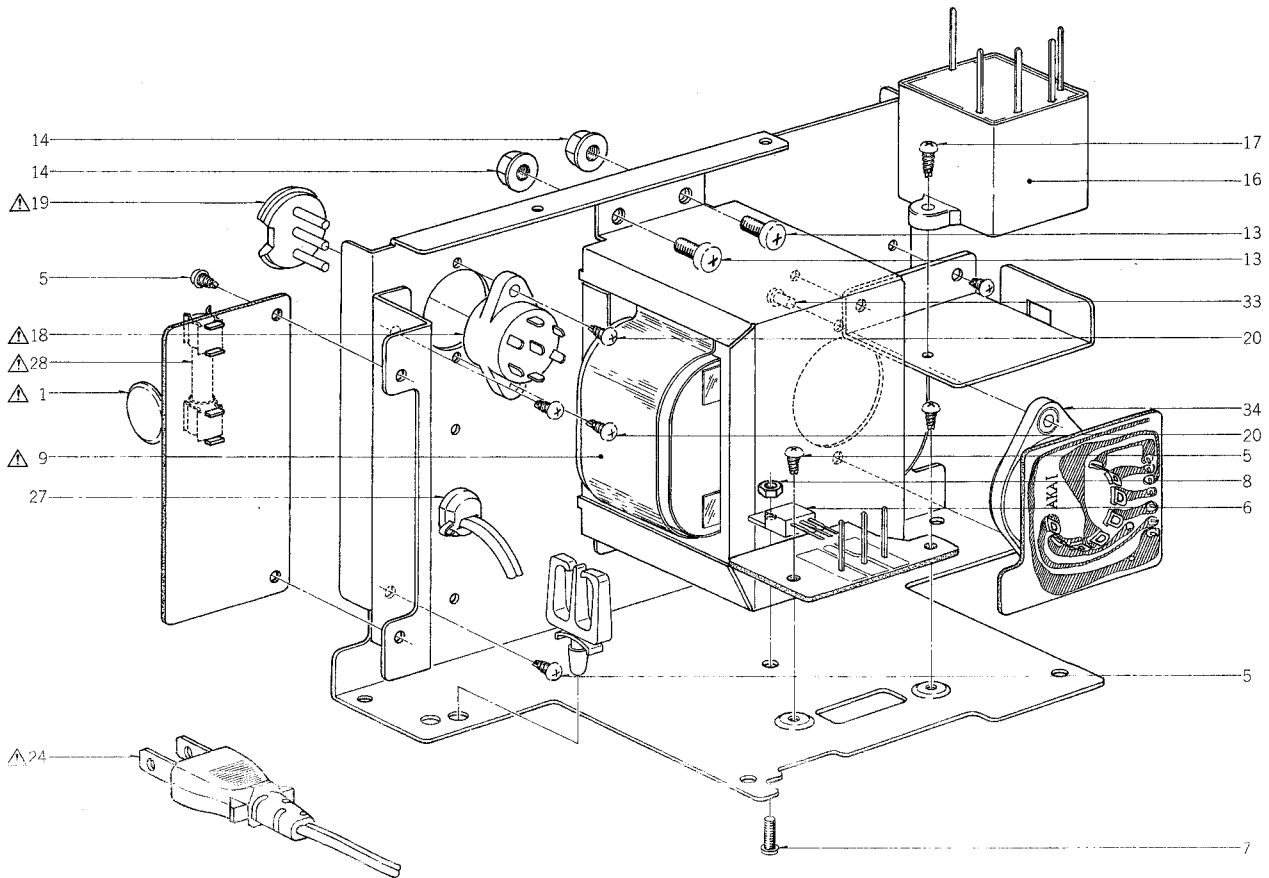


### TENSION ARM/PAUSE SW. BLOCK

Ref. No.	Parts No.	Description	Schematic No.	Ref. No.	Parts No.	Description	Schematic No.
<b>TENSION ARM BLOCK</b>							
6-1x	BZ622618	Tension Arm Block Comp. MY		6-13	TC289675	Lock Cam	CM-1041
6-2	MZ810191	Cushion Rubber, RD	RD-278	6-14	ZG289822	Lock Cam Spring	CM-1030
6-3	ZW601075	Washer (PBP) D4.1x7x0.1t		6-15	TC282396	Cap	CN-1055
6-4	ZW282960	Washer D4.1x7x0.5t		6-16	ZW290283	'U' Ring 2.85M	6-1-1
6-5	ZW270101	'E' Ring 3M	6-1-9	6-17	ZG580746	Tension Spring	TD-2074
6-6	ZG614970	Tension Spring	MY-2026	6-18	ZG316833	DS Spring	MR-257
6-7	ES562465	Micro SW. K-1	25-1-26	6-19	ZG456186	Lock Lever Spring	CC-1119
6-8	ZS422965	Screw, Pan Head 3x15					
6-9	ZW273756	Nut, #1 M3		6-20	ZS422076	Screw, Pan 3x5	
<b>PAUSE SW. BLOCK</b>				6-21	ZS379350	Screw, Pan 3x6	
6-10x	ZS421806	Screw, Pan 3x8		6-22	ML694506	Tension Arm Part TD	TD-2039
6-11	ES295784	Skeleton SW. MSW-S202U	25-1-42	6-23	ZW535094	Decorative Washer	TW-2077
6-12	ZS310337	Screw, Pan Head 2x8		6-24	ZS563308	Screw, Oval Countersunk Head	3x6

When ordering parts, please describe Parts Number, Description, and Model Number in detail.

## 7. POWER SUPPLY BLOCK



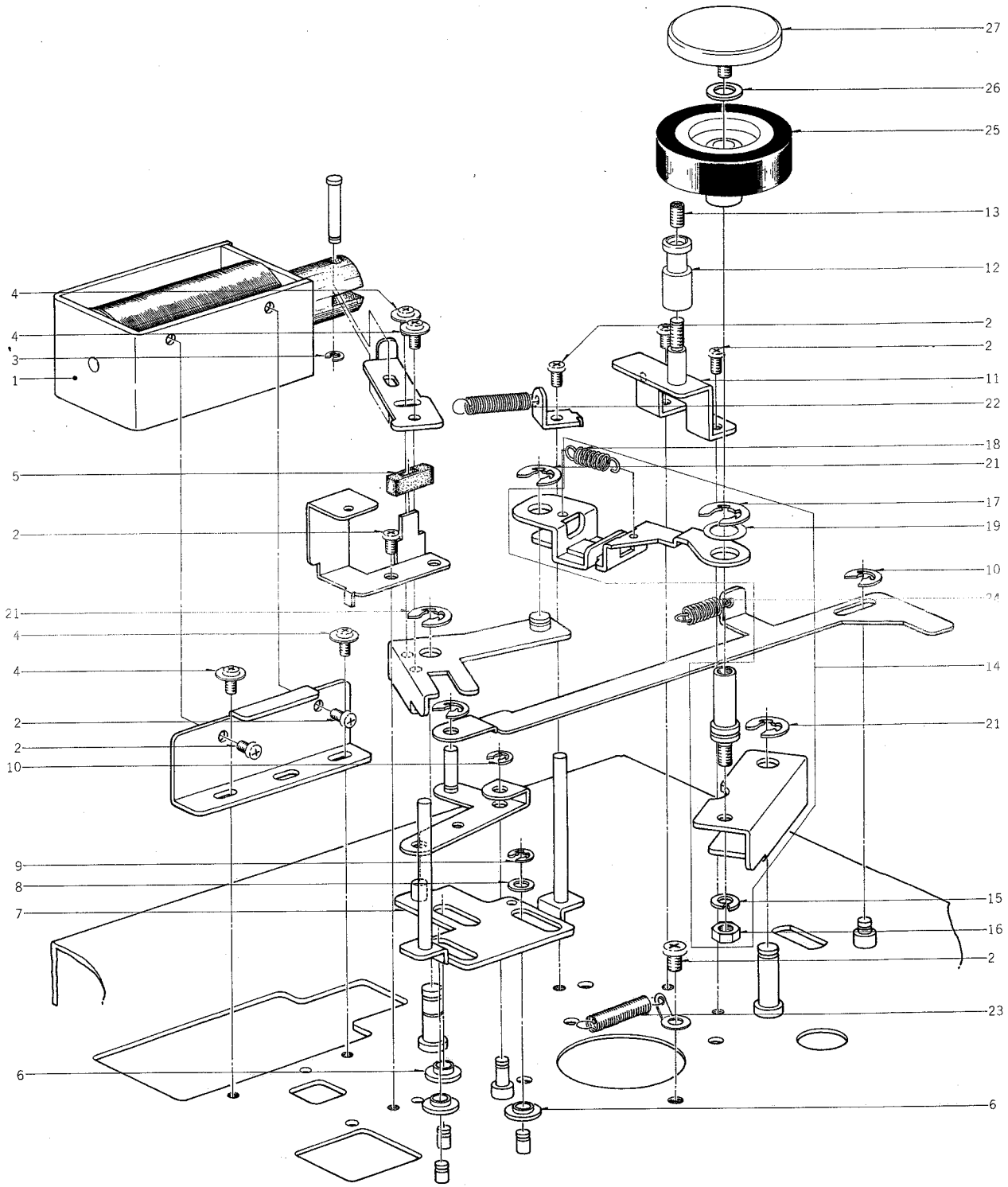
### POWER SUPPLY BLOCK

Ref. No.	Parts No.	Description	Schematic No.
<b>FUSE P.C BOARD BLOCK</b>			
7-1	EC551160	△ Ceramic/C. DB821 NA 0.01 $\mu$ F(Z) 1.4KW (U/T)	24-5-55
7-2x	EC310542	△ Polypro. Film/C. 0.01 $\mu$ F(M) 160VAC (JPN)	24-22-2
7-3x	EC314688	△ Ceramic/C. DE7150 FZ 0.01 $\mu$ F(P) 125WV (CSA, AAL)	24-5-87
7-4x	EC301320	△ MP/C. 4700PF(M) 250WV (CEE, UK, SAA)	24-9-122
<b>POWER SUPPLY BLOCK</b>			
7-5	ZS325495	Tapping Screw, #2 BR 3x6	
7-6	ET308947	Transistor 2SC23368(Q)(R)	45-1-333
7-7	ZS421806	Screw, Pan 3x8	
7-8	ZW273756	Nut, #1 M3	
7-9	BT316695	△ Power Trans. MY4T-1 (U/T)	38-4-758
7-10x	BT316696	△ Power Trans. MY4T-2 (JPN)	38-4-759
7-11x	BT316698	△ Power Trans. MY4T-4 (CSA, AAL)	38-4-761
7-12x	BT316697	△ Power Trans. MY4T-3 (CEE, UK, SAA)	38-4-760
7-13	ZS435273	Screw, Binding Head 4x10	
7-14	ZW413267	Flange Nut M4	
7-15x	ZS422076	Screw, Pan 3x5	
7-16	EC316065	Metallized Polyester/C. 4+4 $\mu$ F (M) 250VAC	24-16-18

Ref. No.	Parts No.	Description	Schematic No.
7-17	ZS447840	Tapping Screw, #2 BR 3x8	
7-18	EJ262732	△ Socket (Volt. Selector) (U/T)	31-1-190
7-19	EJ249467	△ Voltage Selector	42-1-109
7-20	ZS463353	Tapping Screw, #2 BR 3x8 (Black)	
7-21x	EJ301513	△ Inlet 2P (CEE, UK, SAA)	31-1-200
7-22x	ES306430	△ Slide SW. J-S4013#01	25-3-142
7-23x	ZS447761	Tapping Screw, #2 BR 3x6 (Black) (CEE, UK, SAA)	
7-24	EW306428	△ AC Cord (U/T)	26-3-64
7-25x	EW306427	△ AC Cord (JPN)	26-3-63
7-26x	EW305691	△ AC Cord CUL (CSA, AAL)	26-3-65
7-27	EZ631945	Strain Relief SR-4N-4 (U/T, JPN, CSA, AAL)	2-7-49
7-28	EF563681	△ Fuse 1A 250V (U/T)	39-1-50
7-29x	EF563703	△ Fuse 2A 250V (U/T)	39-1-50
7-30x	EF616555	△ Fuse 1.6A 250V (JPN)	39-1-50
7-31x	EF659711	△ Fuse ST-6 1.6A (CSA, AAL)	39-1-63
7-32x	EF258344	△ Fuse (SEMKO T-Type) 800MAT (CEE, UK, SAA)	39-1-53
7-33	ZS355522	Screw, Pan Head 3x6 (Black)	
7-34	EJ289203	Socket, Sub Magnel	31-1-192

When ordering parts, please describe Parts Number, Description, and Model Number in detail.

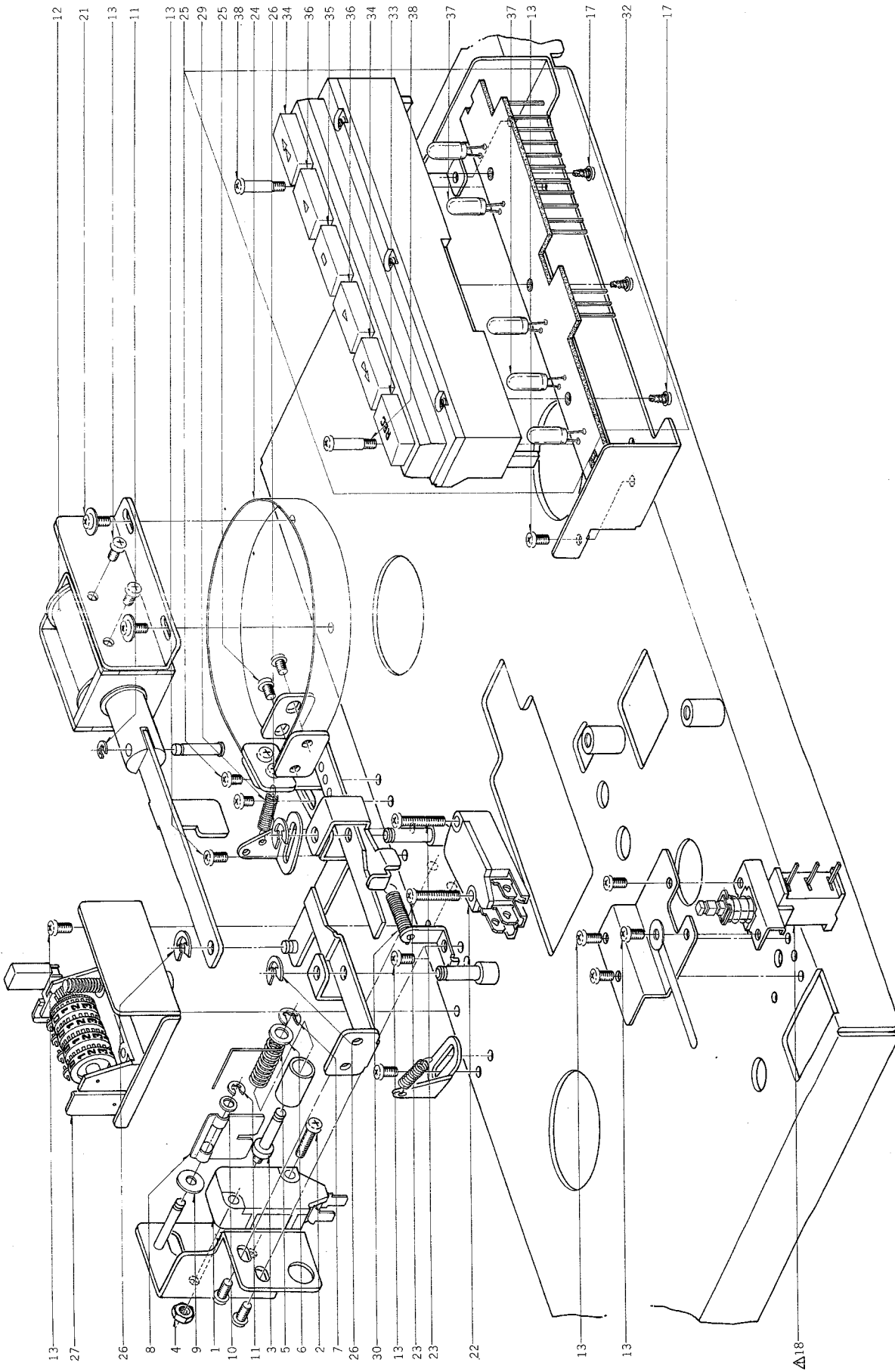
# 8. MECHA ASSEMBLY BLOCK (1)



## MECHA ASSEMBLY BLOCK (1)

Ref. No.	Parts No.	Description	Schematic No.
<b>PINCH ROLLER PLUNGER BLOCK</b>			
8-1	EP316694	Plunger 1664 PLTI	44-1-121
8-2	ZS422076	Screw, Pan 3x5	
8-3	ZW270088	'E' Ring 1.9M	6-1-9
8-4	ZS608321	Screw, Pan 3x6 W=8	
<b>MECHA ASSEMBLY BLOCK</b>			
8-5	MB668801	Stopper Rubber TE (B)	TE-2039
8-6	ZW580173	Guide Washer	TD-1055
8-7	ML318637	Shift Plate Part GX-255	MY-1409
8-8	ZW589893	Washer (PBP) D4.1x7x0.4t	
8-9	ZW270101	'E' Ring 3M	6-1-9
8-10	ZW290283	'U' Ring 2.85M	6-1-1
8-11	MZ694528	Reverse Guide Base Part MY	MY-1041
8-12	MS316735	Reverse Guide	MY-2409
8-13	ZS344463	Set Screw, Hexagon Socket 4x6 (Cup/P.)	
8-14	BL318582	Pinch Roller Arm Assy GX-255	MY-1424
8-15	ZW273914	Spring Washer, M4	
8-16	ZW416698	Nut M4, #1	
8-17	ZW334653	'E' Ring 7M	6-1-9
8-18	ZG321035	Pinch Roller Spring	MY-1417
8-19	ZW321570	Washer (Nylon) D8.1x13x0.3t	
8-20x	ZW260144	Washer (Nylon) D6.1x10x0.3t	
8-21	ZW270134	'E' Ring 5M	6-1-9
8-22	ZG456186	Lock Lever Spring	CC-1119
8-23	ZG535105	Tension Arm Spring	TW-2078
8-24	ZG371114	Reset Lever Spring	ED-219
8-25	MP625048	Pinch Roller (H) Part MY	LC-321
8-26	ZW376391	Washer (Polyslider) D6.1x10x0.13t	
8-27	SK318627	Pinch Roller Cap(D) Part GX-255	MS-6020

# 9. MECHA ASSEMBLY BLOCK (2)



## MECHA ASSEMBLY BLOCK (2)

Ref. No.	Parts No.	Description	Schematic No.
<b>QUICK SW. BLOCK</b>			
9-1	ES573478	Micro SW. K-3	25-1-31
9-2	ZS483502	Screw, Pan 3x13	
9-3	MH528513	SW. PIN	ND-1055
9-4	ZW273756	Nut, #1 M3	
9-5	ZG529211	SW. Spring	ND-1053
9-6	ZW487811	Washer (Polyslider) D4.1x7x0.5t	
9-7	ZW270101	'E' Ring 3M	6-1-9
9-8	MZ529391	Quick Plate	ND-1063
9-9	ZW550642	Washer (SPC) D3.1x8x0.5t	
9-10	ZW438928	Washer (PBP) D3.1x4.8x0.2t	
9-11	ZW270088	'E' Ring 1.9M	6-1-9
<b>BRAKE PLUNGER BLOCK</b>			
9-12	EP316646	Plunger 1240 PLTI	44-1-122
9-13	ZS422076	Screw, Pan 3x5	
<b>MECHA ASSEMBLY BLOCK</b>			
9-14x	ZS417150	Screw, Pan 4x6	
9-15x	ZW413188	Nut, #1 M4	
9-16x	ZS421806	Screw, Pan 3x8	
9-17	ZS325495	Tapping Screw, #2 BR 3x6	
9-18	ES309059	△ Push SW. JP-27	
		(U/T, CSA, AAL)	25-5-285
9-19x	ES313622	△ Push SW. JP-27 (w/o Label)	
		(JPN)	25-5-318
9-20x	ES310839	△ Push SW. SDG1P-E 5A/80A 250V (CEE, UK, SAA)	25-5-310
9-21	ZS608321	Screw, Pan 3x6 W=8	
9-22	ES316432	Micro SW. K-2 SEMKO	25-1-59
9-23	ZS422965	Screw, Pan Head 3x15	
9-24	MT314987	Brake Band	MR-213
9-25	ZS417216	Screw, Pan 3x4	
9-26	ZW290283	'U' Ring 2.85M	6-1-1
9-27	MC318639	Counter Part MP490-37	9-1-81
9-28x	MC318640	Counter Part MP490-38	9-1-82
9-29	ZG315011	Brake Lever Spring	MR-116
9-30	ZG313045	Coil Spring	
9-31x	ZS417150	Screw, Pan 4x6	
9-32	BK318599	Operaton SW. Assy GX-255	25-5-346
9-33	SB316783	Operation Button (REC)	25-5-346
9-34	SB316784	Operation Button (FF, REW)	25-5-346
9-35	SB316785	Operation Button (STOP)	25-5-346
9-36	SB316786	Operation Button (FWD, REV)	25-5-346
9-37	EL316788	Lamp 5.5V 145MA	25-5-346
9-38	ZS316119	Graduated Screw	TG-1020
9-39x	ZS306486	Tapping Screw #2, 3x8(BR) w/Washer	
9-40x	EF563681	△ Fuse 1A 250V (U/T, JPN)	39-1-50
9-41x	EF563670	△ Fuse 0.5A 250V (U/T, JPN)	39-1-50
9-42x	EF277402	△ Fuse ST-6 1A (CSA, AAL)	39-1-63
9-43x	EF313489	△ Fuse ST-6 0.5A (CSA, AAL)	39-1-63
9-44x	EF623103	△ Fuse (SEMKO T Type) 1AT (CEE, UK, SAA)	39-1-53
9-45x	EF601942	△ Fuse (SEMKO T Type) 630MAT (CEE, UK, SAA)	39-1-53
9-46x	EF593706	△ Fuse (SEMKO T Type) 500MAT (CEE, UK, SAA)	39-1-53

## 10. PRE AMP P.C BOARD (TG-5001A) BLOCK

Symbol No.	Parts No.	Description	Schematic No.
10-1	BA314164	Pre Amp P.C Board Comp. GX-620 (U/T) (U/T, CSA, AAL)	TG-5001A
10-2	BA314165	Pre Amp P.C Board Comp. GX-620-J (JPN)	TG-5001A
10-3	BA314166	Pre Amp P.C Board Comp. GX-620 (CEE) (CEE, UK, SAA)	TG-5001A
10-IC1	EI306141	IC LA4170	45-8-305
10-TR1to3	ET352146	Transistor 2SC458LG(D)	45-1-29
10-TR4,5	ET639437	Transistor 2SC945L(Q)(P)	45-1-85
10-TR6,7	ET304181	Transistor 2SC2002(K)	45-1-281
10-TR8to10	ET352146	Transistor 2SC458LG(D)	45-1-29
10-TR11,12	ET639437	Transistor 2SC945L(Q)(P)	45-1-85
10-TR13	ET313717	FET 2SK68A(M)	45-12-9
10-TR14	ET639437	Transistor 2SC945L(Q)(P)	45-1-85
10-TR15	ET307349	Transistor 2SD794(P)(Q)	45-1-334
10-TR16to20	ET639437	Transistor 2SC945L(Q)(P)	45-1-85
10-D1	ED318292	Silicon Diode 1S2473T-77	45-3-59
10-D2	ED308953	Germanium Diode 1K34A-LH	45-3-46
10-D3	ED318292	Silicon Diode 1S2473T-77	45-3-59
10-D4,5	ED308953	Germanium Diode 1K34A-LH	45-3-46
10-D6,7	ED560913	Silicon Diode 1S2473 VE	45-3-23
10-D8to10	ED318292	Silicon Diode 1S2473T-77	45-3-59
10-D11	ED560913	Silicon Diode 1S2473 VE	45-3-23
10-VC1	EC558202	Trimmer/C. TM-80A 80PF	24-2-26
10-VR1,2	EV315751	Double-Axial 2-Throw/ Vol. DM20R 50KAx2	36-18-16
10-VR3	EV315753	Semi-Fixed/Vol. D8 Axial 20KB	36-10-282
10-VR4	EV315541	Semi-Fixed/Vol. D8 Axial 50KB	36-10-282
10-VR5	EV313538	Single-Axial 2-Throw/Vol. GM80R 10KBx2	36-22-43
10-VR6	EV315540	Semi-Fixed/Vol. D8 Axial 5KB	36-10-282
10-J1	EJ306289	Mic Jack HLJ0278-01-010	31-2-91
10-J2	EJ316156	Head Phone Jack HLJ0315-01-020	31-2-106
10-J3	EJ306985	Pin Jack 4P (Except JPN)	31-5-142
10-J3	EJ308986	Pin Jack 4P (JPN)	31-5-145
10-SW1to4	ES316158	Push SW. SUF-44 (Except JPN)	25-5-322
10-SW1to5	ES316159	Push SW. SUF-54 (JPN)	25-5-323
10-SW6	ES315747	Lever SW. 42388	25-12-61
10-P1	EJ249333	Micro Connector 4P Plug W-P0504	42-1-104
10-P2	EJ249366	Micro Connector 7P Plug W-P0507	42-1-104
10-RL1	EP308973	Relay LAB2NS DC24V	47-2-30
10-T1	EO383365	OSC. Coil OT-204	23-4-20
10-L1	EO301467	Ferri Inductor RX-9P 3.3MH (J)	23-1-275
10-L2	EO316142	Ferri Inductor RC875 220μH (J)	23-1-335
10-VL1	EO346230	Inductor RX 22MH	23-1-15
10-VL2	EO316141	Inductor 55T131 1.5MH	23-1-315
10-VL3	EO346230	Inductor RX 22MH	23-1-15
10-FR1	ER308898	Fuse/R. 1/4W 100 ohms(J)	35-14-23
10-R76	ER316144	Metal Oxide Film/R. 2W 390 ohms(J)	35-11-19
10-C14	EC306438	Styrol/C. (Homing Type) 100PF (J) 50WV	24-11-14
10-C28	EC306420	Styrol/C. (Homing Type) 750PF (J) 50WV	24-11-14
10-C29	EC316149	Styrol/C. 1800PF(J) 500WV	24-11-16
10-C44	EC316150	Styrol/C. 820PF(J) 50WV	24-11-14
10-C70	EC321173	Styrol/C. 180PF(J) 50WV	24-11-14

## 11. SYS. CON P.C BOARD (MY-1413A) BLOCK

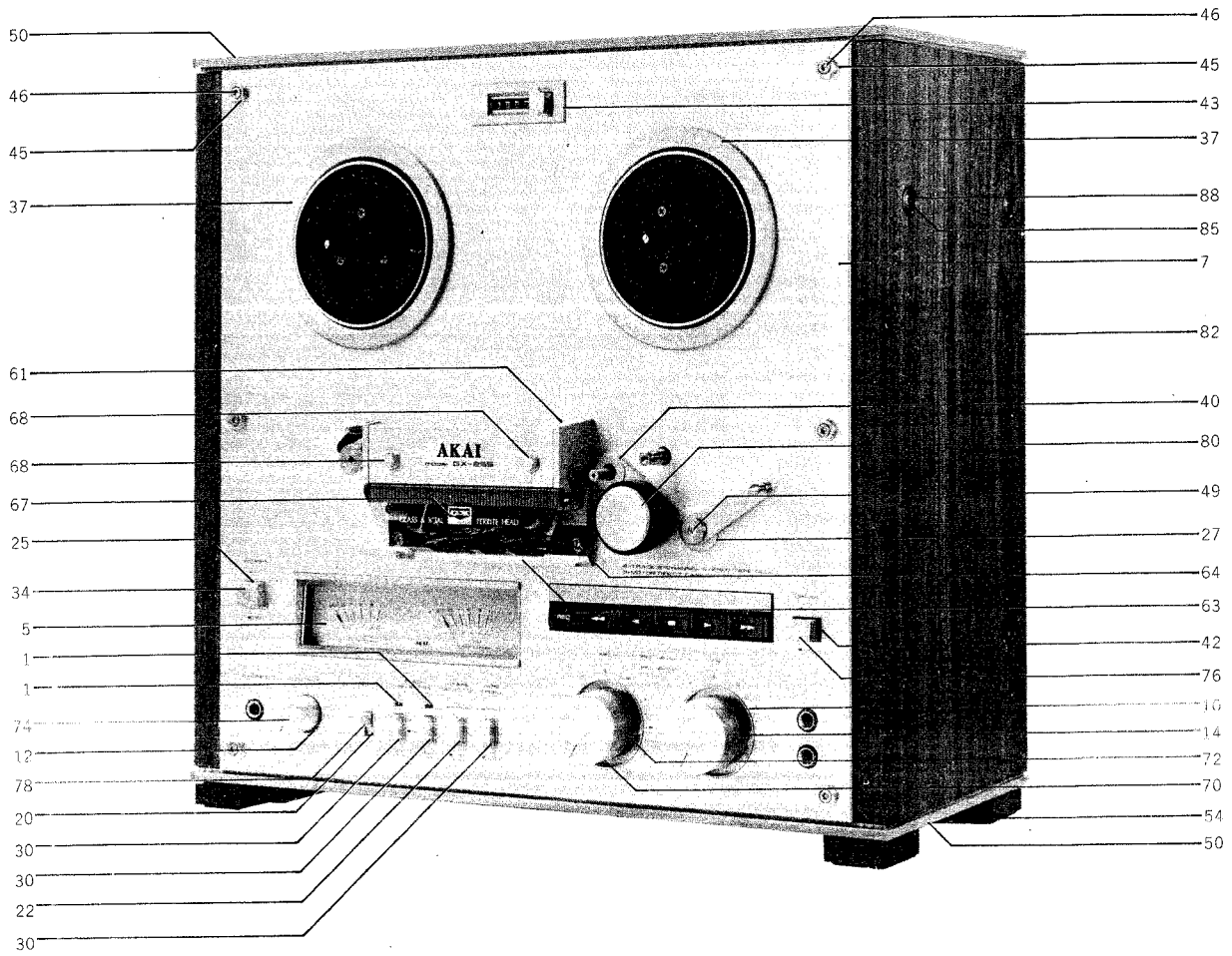
Symbol No.	Parts No.	Description	Schematic No.
11-1	BA318649	Sys. Con. P.C Board Comp. GX-255 (U/T) (U/T, JPN)	MY-1413A
11-2	BA318650	Sys. Con. P.C Board Comp. GX-255 (CSA)	MY-1413A
11-3	BA314414	Sys. Con. P.C Board Comp. GX-255 (AAL)	MY-1413A
11-4	BA318651	Sys. Con. P.C Board Comp. GX-255 (CEE) (CEE, UK, SAA)	MY-1413A
11-IC1	EI308936	IC M54410P	45-8-304
11-IC2	EI321021	IC M54519P	45-8-408
11-TR1	ET316643	Transistor 2SC536K-NP(F)(G)	45-1-362
11-TR2	ET375603	Transistor 2SC1061(B)(C)	45-1-96
11-TR3,4	ET316643	Transistor 2SC536K-NP(F)(G)	45-1-362
11-TR5to7	ET316171	Transistor 2SC536K-NP(E)(F)	45-1-362
11-TR8,9	ET316640	Transistor 2SA1100(E)(F)	45-1-366
11-TR10	ET316171	Transistor 2SC536K-NP(E)(F)	45-1-362
11-TR11	ET316640	Transistor 2SA1100(E)(F)	45-1-366
11-TR12	ET307349	Transistor 2SD794(P)(Q)	45-1-334
11-TR13	ET316641	Transistor 2SC2575(F)(G)	45-1-367
11-TR14to19	ET316643	Transistor 2SC536K-NP(F)(G)	45-1-362
11-TR20	ET316641	Transistor 2SC2575(F)(G)	45-1-367
11-TR21	ET316643	Transistor 2SC536K-NP(F)(G)	45-1-362
11-TR22	ET316640	Transistor 2SA1100(E)(F)	45-1-366
11-TR23	ET316643	Transistor 2SC536K-NP(F)(G)	45-1-362
11-D1	ED308945	Silicon Diode SVB10-100	45-2-82
11-D2	ED309070	Zener Diode HZ24-1	45-6-80
11-D3	ED510772	Zener Diode WZ-120	45-6-67
11-D4,5	ED318292	Silicon Diode 1S2473T-77	45-3-59
11-D6	ED308941	Silicon Diode SVB10-200	45-2-82
11-D7	ED308945	Silicon Diode SVB10-100	45-2-82
11-D8	ED309069	Zener Diode HZ6B-2	45-6-80
11-D9to11	ED308952	Germanium Diode 1K34A-LR	45-3-47
11-D14to23	ED318292	Silicon Diode 1S2473T-77	45-3-59
11-D24	ED308953	Germanium Diode 1K34A-LH	45-3-46
11-D25	ED318292	Silicon Diode 1S2473T-77	45-3-59
11-D26	ED308953	Germanium Diode 1K34A-LH	45-3-46
11-D27	ED308952	Germanium Diode 1K34A-LR	45-3-47
11-D28,29	ED308953	Germanium Diode 1K34A-LH	45-3-46
11-D30	ED318292	Silicon Diode 1S2473T-77	45-3-59
11-D31	ED316143	Silicon Diode 1S2473-HS	45-3-53
11-D32,33	ED318292	Silicon Diode 1S2473T-77	45-3-59
11-D34	ED316143	Silicon Diode 1S2473-HS	45-3-53
11-D35	ED308941	Silicon Diode SVB10-200	45-2-82
11-D36,37	ED224550	Silicon Diode 10D4	45-2-16
11-D38	ED318292	Silicon Diode 1S2473T-77	45-3-59
11-SW1	ES309094	Slide SW. SL13-6-6-2-2-B (U/T, JPN)	25-3-159
11-VR1	EV302718	Semi-Fixed/Vol. V18K3-6(4US) 50KB	36-9-26
11-VR2	EV309071	Semi-Fixed/Vol. V18K3-6(4US) 20KB	36-9-26
11-RL1,2	EP300132	Relay MY4-02-US-L	47-1-32
11-RL3	EP280743	Relay BR111CD024D	47-1-31
11-CR1to8	ER300820	Spark Quencher CRU-112 0.1μ+120 ohms 125WV (U/T, JPN, CSA, AAL)	41-1-63
11-FR1	ER561216	Fuse/R. 1/4W 100 ohms(K) 200MA	35-14-9
11-J1	EJ289203	Socket' Sub Magnel	31-1-192

When ordering parts, please describe Parts Number, Description, and Model Number in detail.

Symbol No.	Parts No.	Description	Schematic No.
11-R3	ER316644	Carbon/R. F 1/2W 220 ohms(J)	35-11-17
11-R26	ER663298	Carbon/R. (Insu. Type) F 1/4W 330 ohms(J)	35-11-12
11-R27	ER233638	Carbon/R. F 1/4W 180 ohms(J)	35-11-12
11-R73	ER308956	Cement/R. 20W 220 ohms(K)	35-16-81
11-R74	ER316796	Cement/R. 20W 43 ohms(K)	35-16-81
11-C1	EC318429	Elect./C. (Vert. Type) 2200 $\mu$ F 50WV	24-12-59
11-C4	EC450270	Elect./C. (Vert. Type) 1000 $\mu$ F 25WV	24-12-9
11-C17	EC316193	Metallized Polyester/C. 3.5 $\mu$ F(K) 180WV	24-16-21
11-C18	EC316192	Metallized Polyester/C. 1.5 $\mu$ F(K) 180WV	24-16-20
11-C19	EC459145	Elect./C. (Vert. Type) 2200 $\mu$ F 16WV	24-12-9
11-C33	EC321114	NP/C. 33 $\mu$ F(M) 25WV	24-17-26
11-C34,35	EC316792	NP/C. 22 $\mu$ F(M) 25WV	24-17-26
11-C41,42	EC310366	Metalized Film/C. (Vert. Type) 0.47 $\mu$ F(M) 150WV	24-16-11
11-C45to54	EC316191	Metallized Polyester/C. 0.1 $\mu$ F 250WV	24-16-19
11-C55,56	EC322438	Metallized Polyester/C. (Vert. Type) 0.47 $\mu$ F(M) 250WV	24-16-25
11-C58to60	EC316191	Metallized Polyester/C. 0.1 $\mu$ F 250WV	24-16-19
11-C63	EC310366	Metalized Film/C. (Vert. Type) 0.47 $\mu$ F(M) 150WV	24-16-11



## 12. FINAL ASSEMBLY BLOCK



## FINAL ASSEMBLY BLOCK

Ref. No.	Parts No.	Description	Schematic No.	Ref. No.	Parts No.	Description	Schematic No.
<b>LED P.C BOARD BLOCK</b>							
12-1	ED310585	LED GL-9PG2 (Except JPN)	45-15-22	12-62x	SC316769	Head Cover Base (A-BL)	MY-6407
12-2x	ED310584	LED GL-9PR2 (JPN)	45-15-21	12-63	SC316750	Head Cover Base (B)	MY-6412
<b>AMP ASSEMBLY BLOCK</b>							
12-3x	ZS422076	Screw, Pan 3x5		12-64	ZS691277	Panel Screw	CI-6019
12-4x	ZW263946	Nylon Rivet 4x5	2-7-57	12-65	SC318615	Head Cover Assy GX-255	
12-5	EM316135	VU Meter KL-292B-1	46-1-229	12-66x	SC318616	Head Cover Assy GX-255-BL	
12-6x	EM316689	VU Meter KL-292B-2 (BL)	46-1-232	12-67	SM312379	GX Name Plate (C)	CG-6411
<b>FRONT PANEL BLOCK</b>							
12-7	BD318612	Front Panel Block Comp. GX-255 (U/T)	MY-6422	12-68	ZS315685	Decoration Screw (BL)	CF-6210
12-8x	BD318613	Front Panel Block Comp. GX-255-J (JPN)	MY-6422	12-69x	ZS315686	Decoration Screw (BL)	CF-6210
12-9x	BD318614	Front Panel Block Comp. GX-255-BL	MY-6422	12-70	SK314221	Double Knob (Upper) Part GX-620	TG-6028
12-10	SE316072	Vol. Escutcheon (A)	TG-6007	12-71x	SK314258	Double Knob (Upper-BL) Part GX-620-BL	TG-6028
12-11x	SE316661	Vol. Escutcheon (A-BL)	TG-6007	12-72	SK316097	Double Knob (Lower)	TG-6030
12-12	SE316071	Vol. Escutcheon (B)	TG-6006	12-73x	SK316679	Double Knob (Lower-BL)	TG-6030
12-13x	SE319521	Vol. Escutcheon (B-BL)	TG-6006	12-74	SK314220	Knob (C) Part GX-620	TG-6032
12-14	SZ316115	Decoration Ring	TG-6048	12-75x	SK314259	Knob (C-BL) Part GX-620-BL	TG-6032
12-15x	SZ316683	Decoration Ring (BL)	TG-6048	12-76	SB316751	Pause Button	MY-6413
12-16	SE316076	Meter Escutcheon	TG-6011	12-77x	SB316772	Pause Button (BL)	MY-6413
12-17x	SE316665	Meter Escutcheon (BL)	TG-6011	12-78	SK316111	Lever Knob	TG-6045
12-18	SE316077	Operation Escutcheon	TG-6012	12-79x	SK316682	Lever Knob (BL)	TG-6045
12-19x	SE316666	Operation Escutcheon (BL)	TG-6012	12-80	SK318627	Pinch Roller Cap (D) Part GX-255	MS-6020
12-20	SE316079	SW. Escutcheon (A)	TG-6013	12-81x	SK318628	Pinch Roller Cap (E) Part GX-255-BL	MS-6020
12-21x	SE316667	SW. Escutcheon (A-BL)	TG-6013	12-82	SP316753	Side Plate (B)	MY-6414
12-22	SE316118	SW. Escutcheon (B-2)	TG-6014	12-83x	SP316752	Side Plate (A) (JPN)	MY-6414
12-23x	SE316669	SW. Escutcheon (B-2-BL)	TG-6014	12-84x	SP316771	Side Plate (B-BL)	MY-6414
12-24x	SE316081	SW. Escutcheon (B 1) (JPN)	TG-6014	12-85	ZS324341	Screw (C), w/Spotfacing Washer	TH-6057
12-25	SE316084	Power Knob Escutcheon	TG-6017	12-86x	ZS324343	Screw (F), Slide Type w/Washer (JPN)	TH-6057
12-26x	SE316671	Power Knob Escutcheon (BL)	TG-6017	12-87x	EW315767	Δ AC Cord Set CEE 2 Cores (CEE)	26-3-72
12-27	SE316074	Tension Arm Escutcheon	TG-6009	12-88x	EW322400	Δ AC Cord Set BASEC 2 Cores (UK)	26-3-73
12-28x	SE316663	Tension Arm Escutcheon (BL)	TG-6009	12-89x	EW322401	AC Cord Set SAA 2 Cores (SAA)	26-3-77
12-29x	ZG316083	Button Spring	TG-6016	12-90x	SA312529	Rubber Foot (A-2) Part	LE-6739
12-30	SK316082	Knob (A)	TG-6015				
12-31x	SK316082	Knob (A) (JPN)	TG-6015				
12-32x	SK316670	Knob (A-BL)	TG-6015				
12-33x	ZG316086	Power Button Spring	TG-6019				
12-34	SK316085	Knob (B)	TG-6018				
12-35x	SK316672	Knob (B-BL)	TG-6018				
12-36x	ZW316688	Nylon Rivet (Male) 4x5	2-7-57				
12-37	SE316768	Reel Table Escutcheon (C)	MY-6004				
12-38x	SE316778	Reel Table Escutcheon (D)(BL)	MY-6004				
12-39x	ZW575730	Speed Nut (P Type) (3)	6-3-6				
12-40	SZ316746	Capstan Cover	MY-6406				
12-41	SZ316775	Capstan Cover (BL)	MY-6406				
12-42	SE316745	Pause Button Escutcheon	MY-6405				
12-43	SE316744	Counter Escutcheon	MY-6404				
12-44x	SE316777	Counter Escutcheon (BL)	MY-6404				
<b>FINAL ASSEMBLY BLOCK</b>							
12-45	ZW315917	Decoration Washer	TG-6020				
12-46	ZS613901	Panel Screw	CW-6031				
12-47x	ZW316673	Decoration Washer (BL)	TG-6020				
12-48x	ZS306435	Panel Screw (C)	CW-6031				
12-49	ZS563308	Screw, Oval Countersunk Head 3x6					
12-50	SP316087	Cover	TG-6021				
12-51x	SP316674	Cover (BL)	TG-6021				
12-52x	ZS316650	Screw, Pan 4x8					
12-53x	ZS201778	Screw, Pan Head 4x8 (Black)					
12-54	SA314222	Square Foot Part GX-620	TG-6022				
12-55x	ZS520525	Screw, Bind 4x25 (Black)					
12-56x	SP316757	Back Board GX-255 (U) (U/T)	MY-6415, 6418				
12-57x	SP316755	Back Board GX-255-J (JPN)	MY-6415, 6416				
12-58x	SP316756	Back Board GX-255 (C, A) (CSA, AAL)	MY-6415, 6417				
12-59x	SP316758	Back Board GX-255 (E, B) (CEE, UK, SAA)	MY-6415, 6419				
12-60x	ZS297641	Tapping Screw #2 3x8 (Bind) W=10					
12-61	SC316747	Head Cover Base (A)	MY-6407				

When ordering parts, please describe Parts Number, Description, and Model Number in detail.

# INDEX

Parts No.	Ref. No. & Symbol No.	Parts No.	Ref. No. & Symbol No.	Parts No.	Ref. No. & Symbol No.	Parts No.	Ref. No. & Symbol No.
BA314164	10-1	EF313489	9-43x	ET352146	10-TR8to10	SE316084	12-25
BA314165	10-2	EF563670	9-41x	ET375603	11-TR2	SE316118	12-22
BA314166	10-3	EF563681	7-28	ET639437	10-TR4,5	SE316661	12-11x
BA314414	11-3	EF563681	9-40x	ET639437	10-TR11,12	SE316663	12-28x
BA318649	11-1	EF563703	7-29x	ET639437	10-TR14	SE316665	12-17x
BA318650	11-2	EF593706	9-46x	ET639437	10-TR16to20	SE316666	12-19x
BA318651	11-4	EF601942	9-45x	EV302718	11-VR1	SE316667	12-21x
BD318612	12-7	EF616555	7-30x	EV309071	11-VR2	SE316669	12-23x
BD318613	12-8x	EF623103	9-44x	EV313538	10-VR5	SE316671	12-26x
BD318614	12-9x	EF659711	7-31x	EV315540	10-VR6	SE316744	12-43
BH318600	2-3x	EI306141	10-IC1	EV315541	10-VR4	SE316745	12-42
BI318598	5-1	EI308936	11-IC1	EV315751	10-VR1,2	SE316768	12-37
BK318599	9-32	EI321021	11-IC2	EV315753	10-VR3	SE316777	12-44x
BL318582	8-14	EJ249333	10-P1	EW305691	7-26x	SE316778	12-38x
BM314741	4-12	EJ249366	10-P2	EW306427	7-25x	SE319521	12-13x
BM318573	3-1x	EJ249467	7-19	EW306428	7-24	SE597161	5-12
BR697680	4-1	EJ262732	7-18	EW315767	12-87x	SK314220	12-74
BT316695	7-9	EJ289203	7-34	EW322400	12-88x	SK314221	12-70
BT316696	7-10x	EJ289203	11-J1	EW322401	12-89x	SK314258	12-71x
BT316697	7-12x	EJ301513	7-21x	EZ606701	5-7	SK314259	12-75x
BT316698	7-11x	EJ306289	10-J1	EZ631945	7-27	SK316082	12-30
BZ283432	5-5	EJ306985	10-J3	HA316007	2-10	SK316082	12-31x
BZ308315	3-5	EJ308986	10-J3	HA316009	2-18	SK316085	12-34
BZ622618	6-1x	EJ316129	2-25	HA316703	2-11	SK316097	12-72
EC301320	7-4x	EJ316130	2-26	HE311139	2-21	SK316111	12-78
EC306420	10-C28	EJ316156	10-J2	HP318522	2-9	SK316670	12-32x
EC306438	10-C14	EL316788	9-37	HP321150	2-17	SK316672	12-35x
EC310366	11-C41,42	EM316135	12-5	HZ316005	2-7	SK316679	12-73x
EC310366	11-C63	EM316689	12-6x	HZ316008	2-20	SK316682	12-79x
EC310542	7-2x	EO301467	10-L1	HZ316701	2-13	SK318627	8-27
EC314688	7-3x	EO316141	10-VL2	HZ316702	2-14	SK318627	12-80
EC316065	7-16	EO316142	10-L2	HZ532710	2-6	SK318628	12-81x
EC316149	10-C29	EO346230	10-VL1	MB606712	5-4	SK597633	3-3
EC316150	10-C44	EO346230	10-VL3	MB625566	4-13	SM312379	12-67
EC316191	11-C45to54	EO383365	10-T1	MB668801	3-5	SP316087	12-50
EC316191	11-C58to60	EP280743	11-RL3	MC318639	9-27	SP316674	12-51x
EC316192	11-C18	EP300132	11-RL1,2	MC318640	9-28x	SP316752	12-83x
EC316193	11-C17	EP308973	10-RL1	MH528513	9-3	SP316753	12-82
EC316792	11-C34,35	EP316646	9-12	ML305146	5-16	SP316755	12-57x
EC318429	11-C1	EP316694	8-1	ML318410	5-8	SP316756	12-58x
EC321114	11-C33	EP316789	2-1	ML318637	8-7	SP316757	12-56x
EC321173	10-C70	ER233638	11-R27	ML694506	6-22	SP316758	12-59x
EC322438	11-C55,56	ER300820	11-CR1to8	MP625048	8-25	SP316771	12-84x
EC450270	11-C4	ER308898	10-FR1	MR317507	4-9	SZ316115	12-14
EC459145	11-C19	ER308956	11-R73	MS301415	5-18	SZ316683	12-15x
EC551160	7-1	ER316144	10-R76	MS316735	8-12	SZ316746	12-40
EC558202	10-VC1	ER316644	11-R3	MS342000	4-2	SZ316775	12-41
ED224550	11-D36,37	ER316796	11-R74	MT255420	4-4	SZ322285	5-2
ED308941	11-D6	ER561216	11-FR1	MT314987	4-15	TC282396	6-15
ED308941	11-D35	ER663298	11-R26	MT314987	9-24	TC289675	6-13
ED308945	11-D1	ES295784	6-11	MT436860	4-8	ZG255633	4-3
ED308945	11-D7	ES306430	7-22x	MT516565	4-5	ZG289822	6-14
ED308952	11-D9to11	ES309059	9-18	MV368886	3-6	ZG313045	9-30
ED308952	11-D27	ES309094	11-SW1	MZ529391	9-8	ZG315011	4-14
ED308953	10-D2	ES310839	9-20x	MZ585900	3-7	ZG315011	9-29
ED308953	10-D4,5	ES313622	9-19x	MZ597150	5-11	ZG316083	12-29x
ED308953	11-D24	ES315747	10-SW6	MZ597172	5-10	ZG316086	12-33x
ED308953	11-D26	ES316158	10-SW1to4	MZ597690	3-8	ZG316833	6-18
ED308953	11-D28,29	ES316159	10-SW1to5	MZ694528	8-11	ZG321035	8-18
ED309069	11-D8	ES316432	9-22	MZ810191	6-2	ZG371114	8-24
ED309070	11-D2	ES562465	6-7	SA312529	12-90x	ZG456186	6-19
ED310584	12-2x	ES573478	9-1	SA314222	12-54	ZG456186	8-22
ED310585	12-1	ET304181	10-TR6,7	SB316751	12-76	ZG466312	2-5
ED316143	2-2x	ET307349	10-TR15	SB316772	12-77x	ZG529211	9-5
ED316143	11-D31	ET307349	11-TR12	SB316783	9-33	ZG535105	8-23
ED316143	11-D34	ET308947	7-6	SB316784	9-34	ZG580746	6-17
ED318292	10-D1	ET313717	10-TR13	SB316785	9-35	ZG614970	6-6
ED318292	10-D3	ET316171	11-TR5to7	SB316786	9-36	ZG646020	5-14
ED318292	10-D8to10	ET316171	11-TR10	SC316747	12-61	ZS201508	3-11
ED318292	11-D4,5	ET316640	11-TR8,9	SC316750	12-63	ZS201778	12-53x
ED318292	11-D14to23	ET316640	11-TR11	SC316769	12-62x	ZS297641	12-60x
ED318292	11-D25	ET316640	11-TR22	SC318615	12-65	ZS304464	2-22
ED318292	11-D30	ET316641	11-TR13	SC318616	12-66x	ZS304806	2-15
ED318292	11-D32,33	ET316641	11-TR20	SE316071	12-12	ZS306435	12-48x
ED318292	11-D38	ET316643	11-TR1	SE316072	12-10	ZS306486	9-39x
ED510772	11-D3	ET316643	11-TR3,4	SE316074	12-27	ZS310337	6-12
ED560913	10-D6,7	ET316643	11-TR14to19	SE316076	12-16	ZS315685	12-68
ED560913	10-D11	ET316643	11-TR21	SE316077	12-18	ZS315686	12-69x
EF258344	7-32x	ET316643	11-TR23	SE316079	12-20	ZS316119	9-38
EF277402	9-42x	ET352146	10-TR1to3	SE316081	12-24x	ZS316650	12-52x

# INDEX

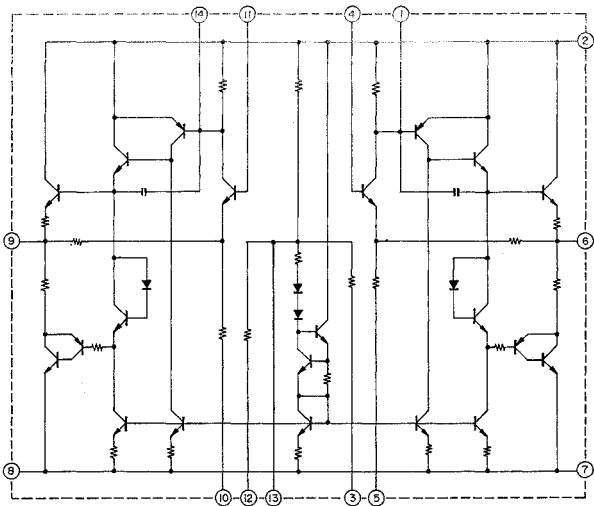
Parts No.	Ref. No. & Symbol No.	Parts No.	Ref. No. & Symbol No.	Parts No.	Ref. No. & Symbol No.	Parts No.	Ref. No. & Symbol No.
ZS316706	2-24	ZW438928	9-10				
ZS316736	5-15	ZW462205	5-21				
ZS324341	12-85	ZW487811	9-6				
ZS324343	12-86x	ZW535094	6-23				
ZS325495	7-5	ZW550642	9-9				
ZS325495	9-17	ZW575730	12-39x				
ZS344463	8-13	ZW580173	8-6				
ZS355522	7-33	ZW589893	8-8				
ZS379350	6-21	ZW597622	3-2				
ZS403222	4-16	ZW601075	6-3				
ZS413201	2-8	ZW603990	5-3				
ZS413201	3-10						
ZS417150	9-14x						
ZS417150	9-31x						
ZS417216	4-7x						
ZS417216	9-25						
ZS421806	5-22						
ZS421806	6-10x						
ZS421806	7-7						
ZS421806	9-16x						
ZS422076	2-23						
ZS422076	5-17						
ZS422076	6-20						
ZS422076	7-15x						
ZS422076	8-2						
ZS422076	9-13						
ZS422076	12-3x						
ZS422965	6-8						
ZS422965	9-23						
ZS424056	4-11						
ZS433315	4-10						
ZS435273	7-13						
ZS447761	7-23x						
ZS447840	7-17						
ZS463353	7-20						
ZS483502	9-2						
ZS484828	5-13						
ZS499331	5-6						
ZS520525	12-55x						
ZS539741	2-19						
ZS563308	6-24						
ZS563308	12-49						
ZS608308	3-4x						
ZS608321	8-4						
ZS608321	9-21						
ZS608411	2-12						
ZS608501	2-16						
ZS613901	12-46						
ZS691277	12-64						
ZW260144	8-20x						
ZW263946	12-4x						
ZW265522	2-4						
ZW270088	4-6						
ZW270088	8-3						
ZW270088	9-11						
ZW270101	5-20						
ZW270101	6-5						
ZW270101	8-9						
ZW270101	9-7						
ZW270134	8-21						
ZW273756	6-9						
ZW273756	7-8						
ZW273756	9-4						
ZW273914	8-15						
ZW281913	5-9						
ZW282960	6-4						
ZW290283	6-16						
ZW290283	8-10						
ZW290283	9-26						
ZW301378	5-19						
ZW315917	12-45						
ZW316673	12-47x						
ZW316688	12-36x						
ZW321570	8-19						
ZW334653	8-17						
ZW376391	8-26						
ZW413188	9-15x						
ZW413267	7-14						
ZW413278	3-9						
ZW416698	8-16						

SECTION 3

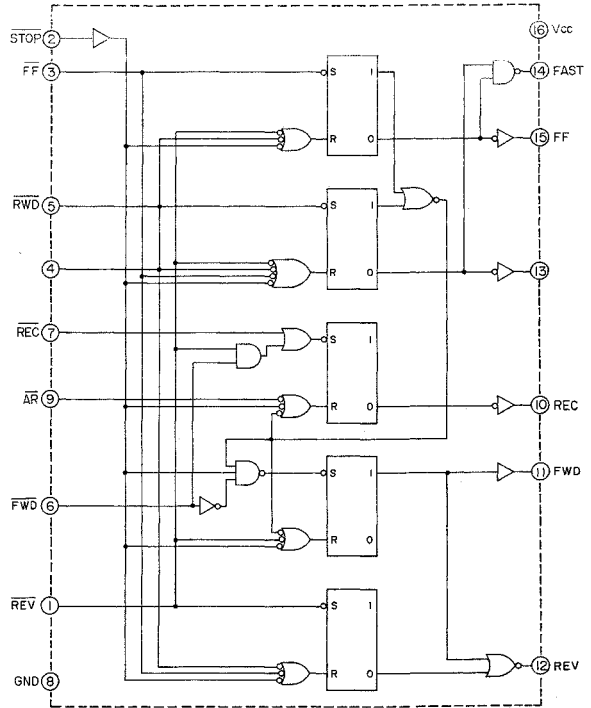
**SCHEMATIC DIAGRAM**

1. SCHEMATIC DIAGRAM OF ICs
2. GX-255 NO. 2-1 1582212A POWER & SYS. CON SCHEMATIC DIAGRAM
3. GX-255 NO. 2-2 1582213A AMP SCHEMATIC DIAGRAM

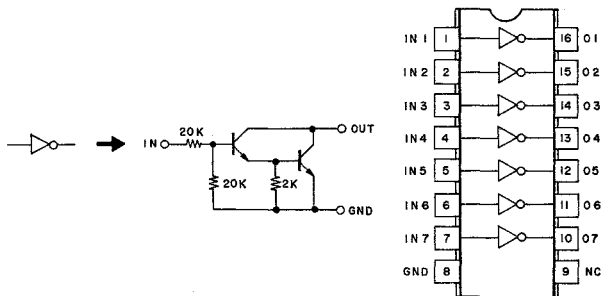
LA-4170



M54410P

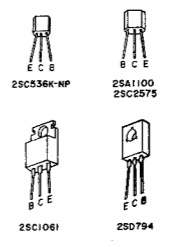
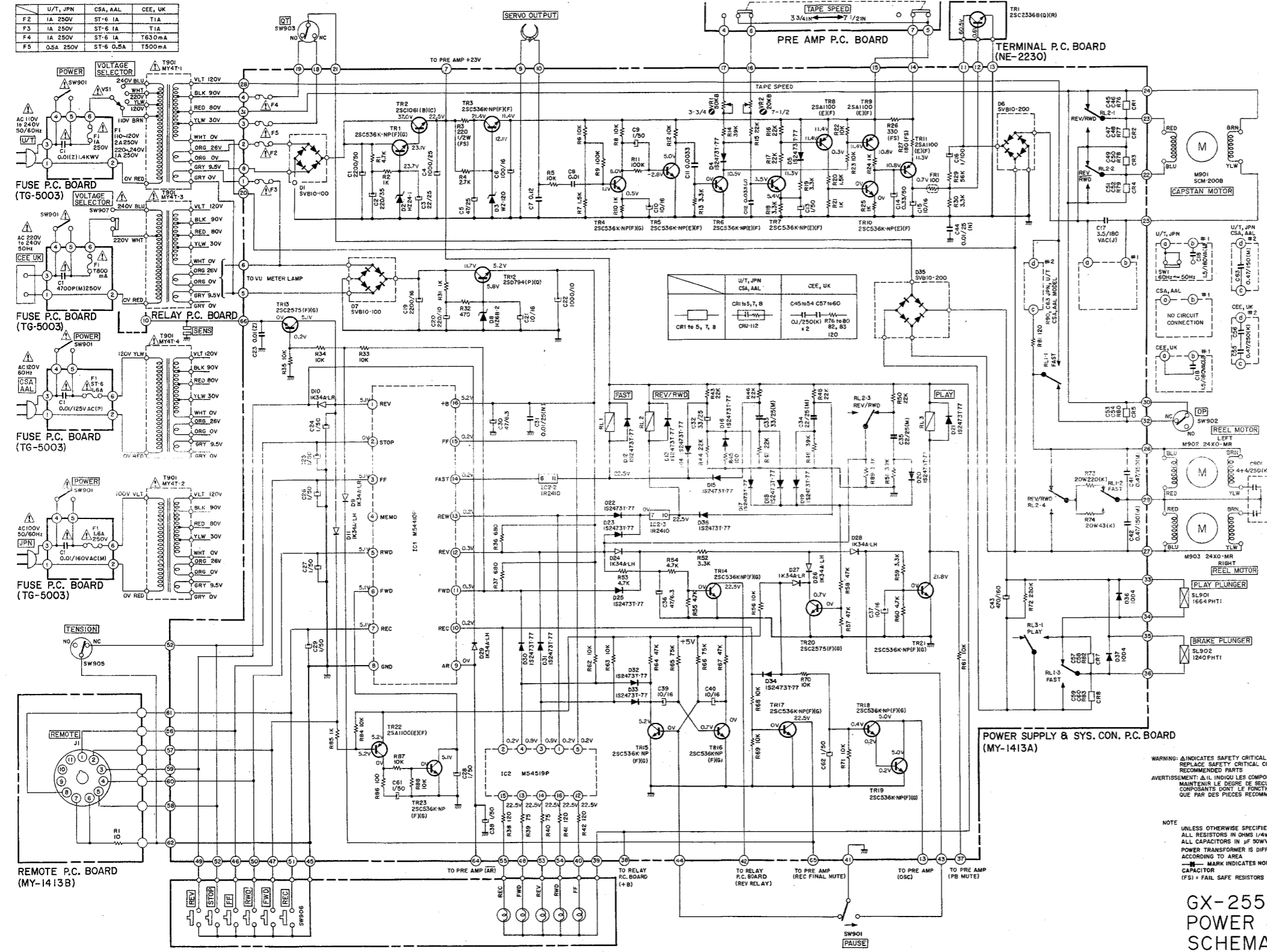


M54519P



GX-255

U/T, JPN	CSA, AAL	CEE, UK
F2 1A 250V	ST-6 1A	T1A
F3 1A 250V	ST-6 1A	T1A
F4 1A 250V	ST-6 1A	T630mA
F5 0.5A 250V	ST-6 0.5A	T500mA



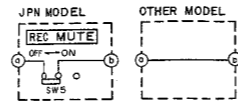
WARNING: INDICATES SAFETY CRITICAL COMPONENTS. FOR CONTINUED SAFETY, REPLACE SAFETY CRITICAL COMPONENTS ONLY WITH MANUFACTURER'S RECOMMENDED PARTS.

AVERTISSEMENT: À IL INDIQUÉ LES COMPOSANTS CRITIQUES DE SÛRETÉ. POUR MAINTENIR LE DEGRÉ DE SÛRETÉ DE L'APPAREIL, NE REMPLACEZ LES COMPOSANTS DONT LE FONCTIONNEMENT EST CRITIQUE POUR LA SÛRETÉ QUE PAR DES PIÈCES RECOMMANDÉES PAR LE FABRICANT.

NOTE: UNLESS OTHERWISE SPECIFIED, ALL RESISTORS IN OHMS (Ω), KΩ (K), MΩ (M), Ω (Ω). ALL CAPACITORS IN μF (μ), P (P), N (N), F (F). POWER TRANSFORMER IS DIFFERENT ACCORDING TO AREA. — MARK INDICATES NON POLAR CAPACITOR. (FS) - FAIL SAFE RESISTORS.

GX-255  
POWER & SYS. CON  
SCHEMATIC DIAGRAM  
NO. 2-1 1582212A

GX-255

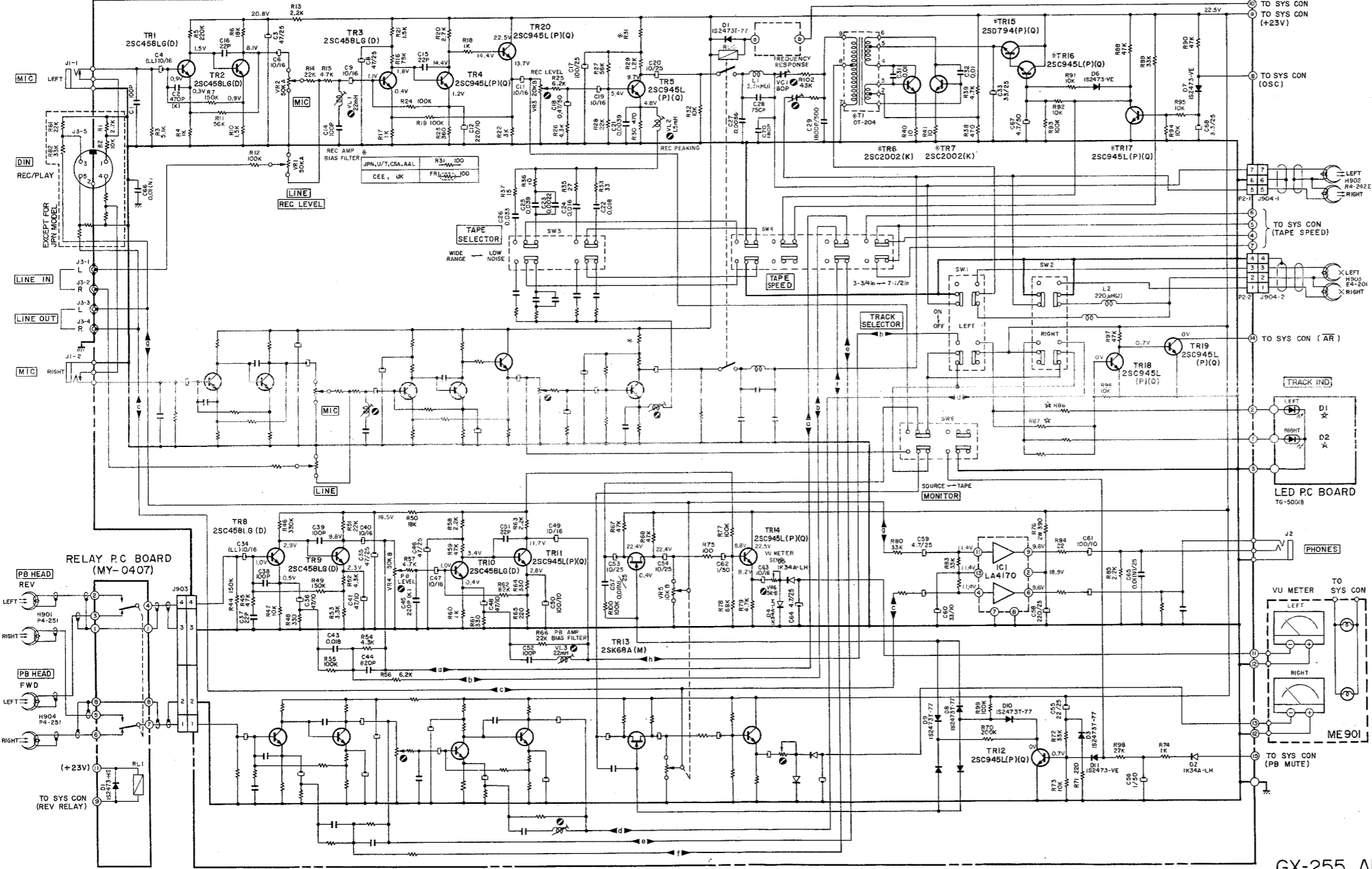


\* REC MODE

	7-1/2in	3-3/4in
TR17	B 0.2V	0.2V
	C 19.1V	19.7V
TR16	B 17.3V	14.2V
	E 16.8V	13.8V
TR6,7	E 0.4V	0.4V
	F 0.6V	0.6V
TR15	B 16.3V	13.2V
	S 74.5VAC	60.5VAC
	9 121.4VAC	100.4VAC

	R86	D1	D2
JPN, U/T, CSA, CEE, AAL, UK	4.3K	GL-3P82	GL-3P82
	1.5K	GL-3P82	GL-3P82

PRE AMP P.C BOARD



NOTE  
UNLESS OTHERWISE SPECIFIED  
ALL RESISTORS IN OHMS (1/W (Ω))  
ALL CAPACITORS IN μF (50V (V))  
(LL) = LOW LEAKAGE CAPACITOR

GX-255 AMP  
SCHEMATIC DIAGRAM  
No.2-2 1582213A