

SERVICE MANUAL

PARTS LIST

MODEL GX-270D SS

AKAI



4-CH / STEREO TAPE DECK

MODEL GX-270DSS

SECTION 1	SERVICE MANUAL	1
SECTION 2	PARTS LIST	29
SECTION 3	SCHEMATIC DIAGRAM	52

SECTION 1

SERVICE MANUAL

TABLE ON CONTENTS

I. TECHNICAL DATA	2
II. DISMANTLING OF UNIT	3
III. CONTROLS	5
IV. PRINCIPAL PARTS LOCATIONS	6
V. MECHANISM ADJUSTMENT	7
VI. HEAD ADJUSTMENT	8
VII. AMPLIFIER ADJUSTMENT	10
1. POWER SUPPLY VOLTAGE AND TAPE SPEED ADJUSTMENT	10
2. RECORDING AND PLAYBACK AMPLIFIER ADJUSTMENT	12
VIII. DC RESISTANCE OF VARIOUS COIL	13
IX. CLASSIFICATION OF VARIOUS P.C BOARDS	14
1. RELATION OF VARIOUS P.C BOARD TITLE AND IDENTIFICATION NUMBER	14
2. COMPOSITION OF VARIOUS P.C BOARDS	15

For basic adjustments measuring methods, and operating principles, refer to GENERAL OPERATING PRINCIPLES AND ADJUSTMENTS.

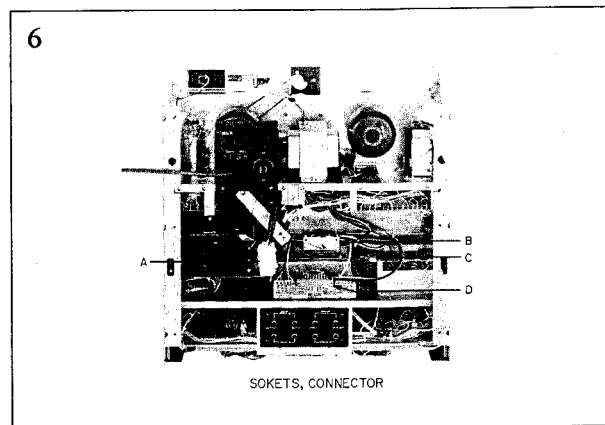
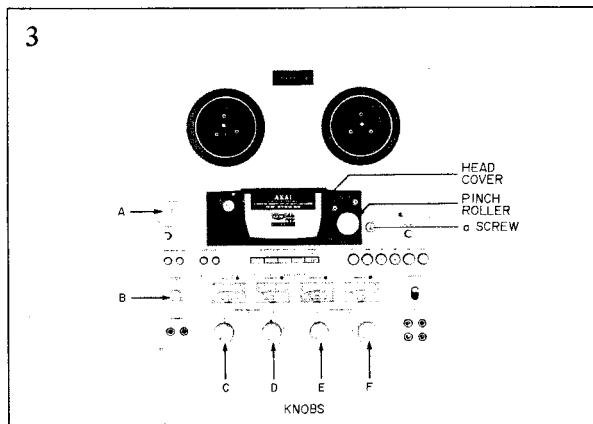
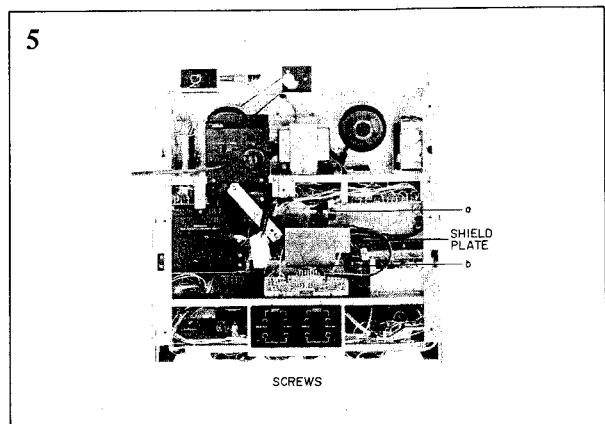
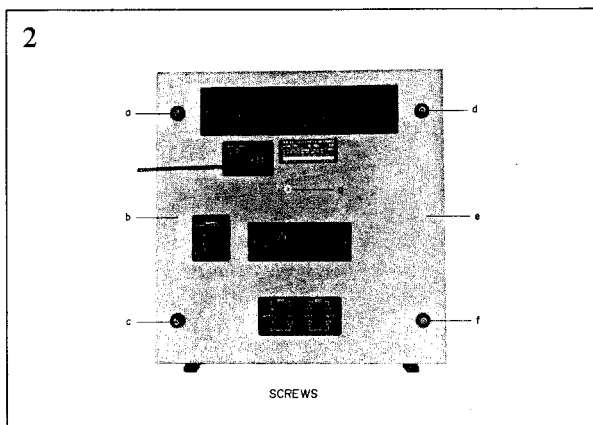
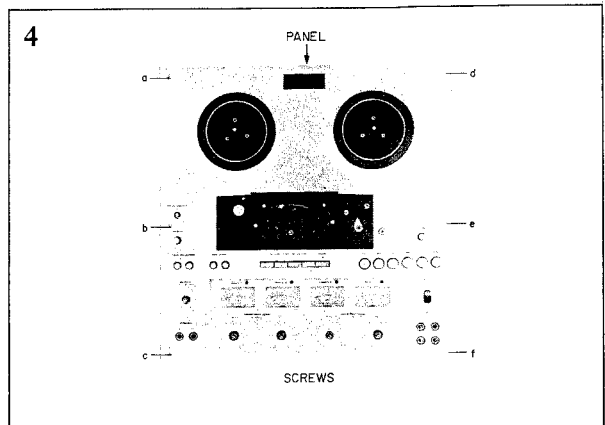
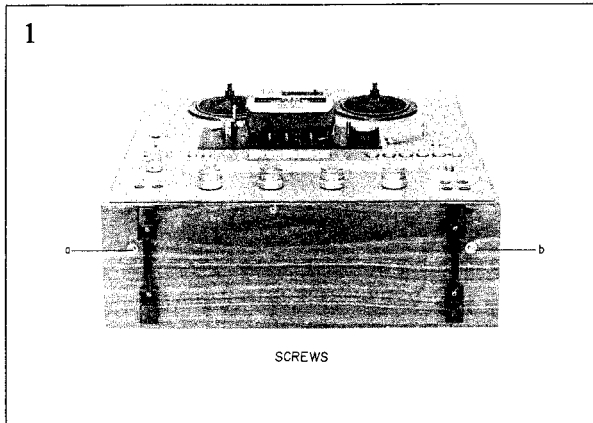
I. TECHNICAL DATA

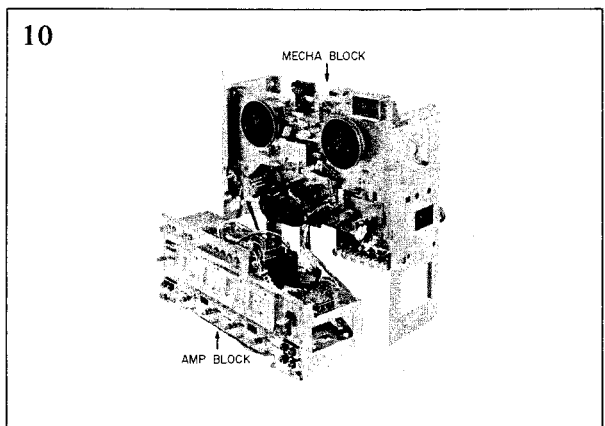
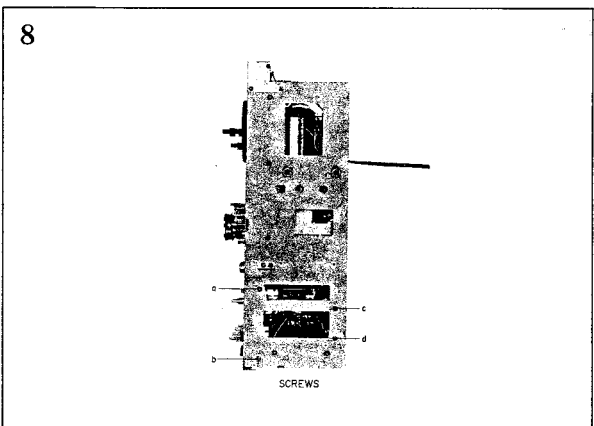
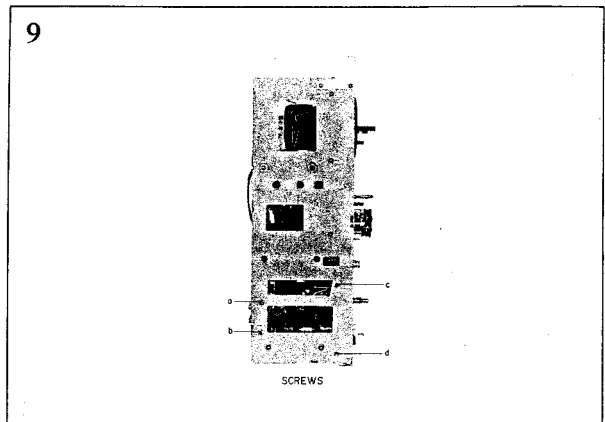
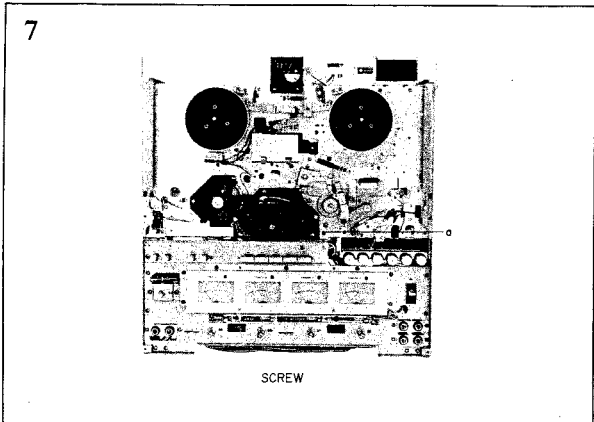
TRACK SYSTEM	4 track 4/2 channel compatible stereo system
REEL CAPACITY	Up to 7" reel
TAPE SPEED	7-1/2 and 3-3/4 ips ($\pm 0.7\%$), Pitch Control $\pm 5\%$
WOW AND FLUTTER	Less than 0.7% RMS at 7-1/2 ips Less than 0.1% RMS at 3-3/4 ips
FREQUENCY RESPONSE	30 Hz to 21,000 Hz (± 3 dB) at 7-1/2 ips and 30 Hz to 15,000 Hz (± 3 dB) at 3-3/4 ips
DISTORTION	Less than 1% (1,000 Hz "0" VU)
SIGNAL TO NOISE RATIO	Better than 54 dB (measured via tape with peak recording level of +6 VU)
ERASE RATIO	Better than 70 dB
BIAS FREQUENCY	100 kHz
HEADS	(4): One GX 4 Tr. 2-CH/4-CH Playback, One GX 4 Tr. 2-CH/4-CH recording, One Front CH Erase, One Rear CH Erase Head
MOTORS	(3): One AC Servo Motor for capstan drive Two Eddy Current Motors for reel drive
FAST FORWARD & REWIND TIME	75 seconds using a 1,200 ft tape
OUTPUT JACKS	Line (4): 0.775V ("0" VU) Required load impedance/More than 20 k ohms Phone (2): 50 mV/8 ohms
INPUT JACKS	Microphone (4): 0.3 mV Required load impedance/600 ohms Line (4): 70 mV/100 k ohms
SEMICONDUCTORS	Transistors: 43, Diodes: 63, ICs: 12
POWER REQUIREMENTS	CSA, UL, and LA Models: 120V, 60 Hz only CEE Models: 220V, 50 Hz only Other Models: 100 to 240V, 50/60 Hz (Switchable)
DIMENSIONS	440(W) x 465(H) x 190(D) mm (17.3 x 18.3 x 7.5")
WEIGHT	17.8 kg (39.2 lbs)

- NOTES: 1. Specifications determined with Scotch #211 tape.
2. For improvement purposes, specifications and design are subject to change without notice.
3. "Surround Stereo" used with permission of Vanguard Records.

II. DISMANTLING OF UNIT

In case of trouble, etc. necessitating disassembly, please disassemble in the order shown in photographs. Reassemble in reverse order.





III. CONTROLS

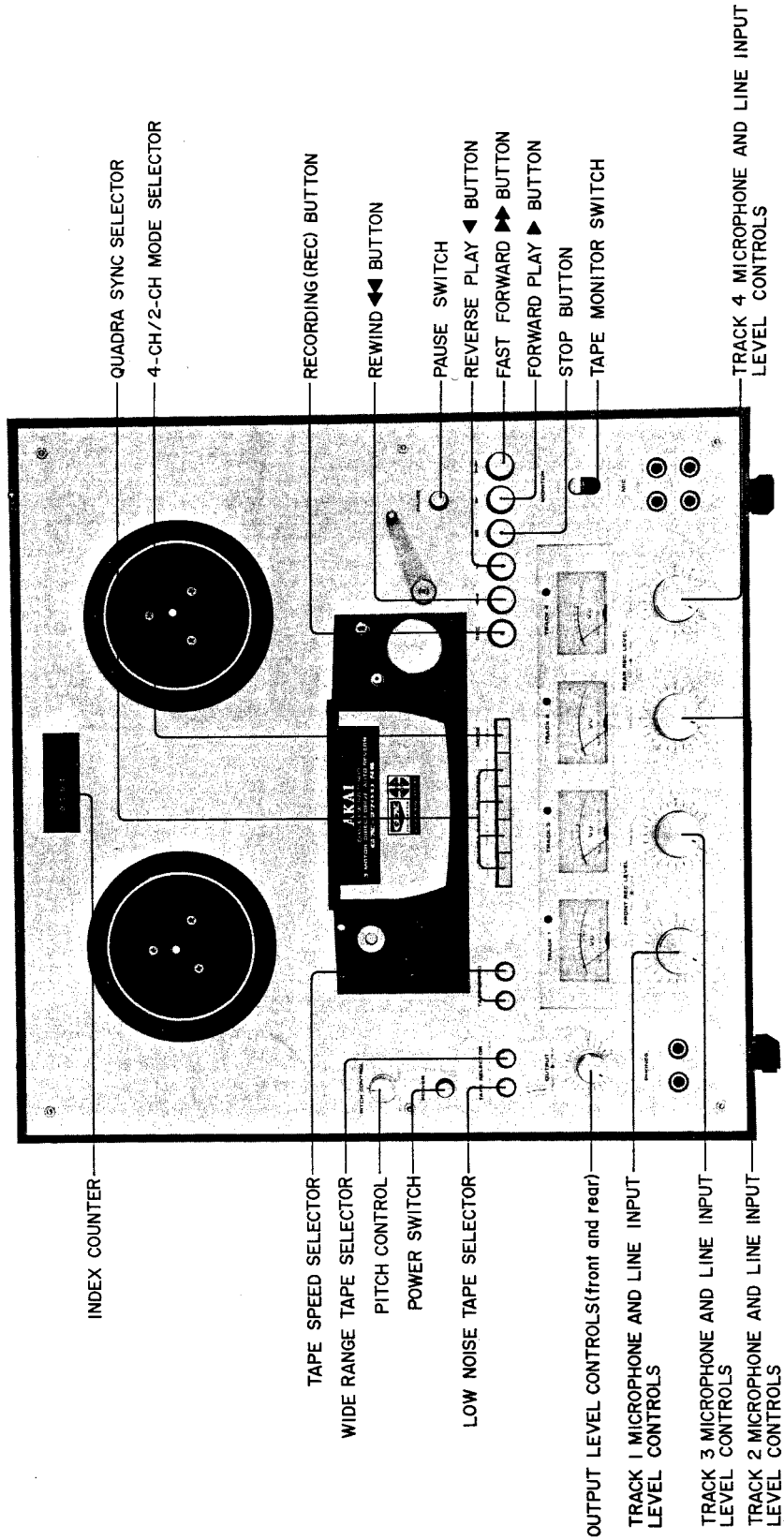


Fig. 1 Controls

IV. PRINCIPAL PARTS LOCATIONS

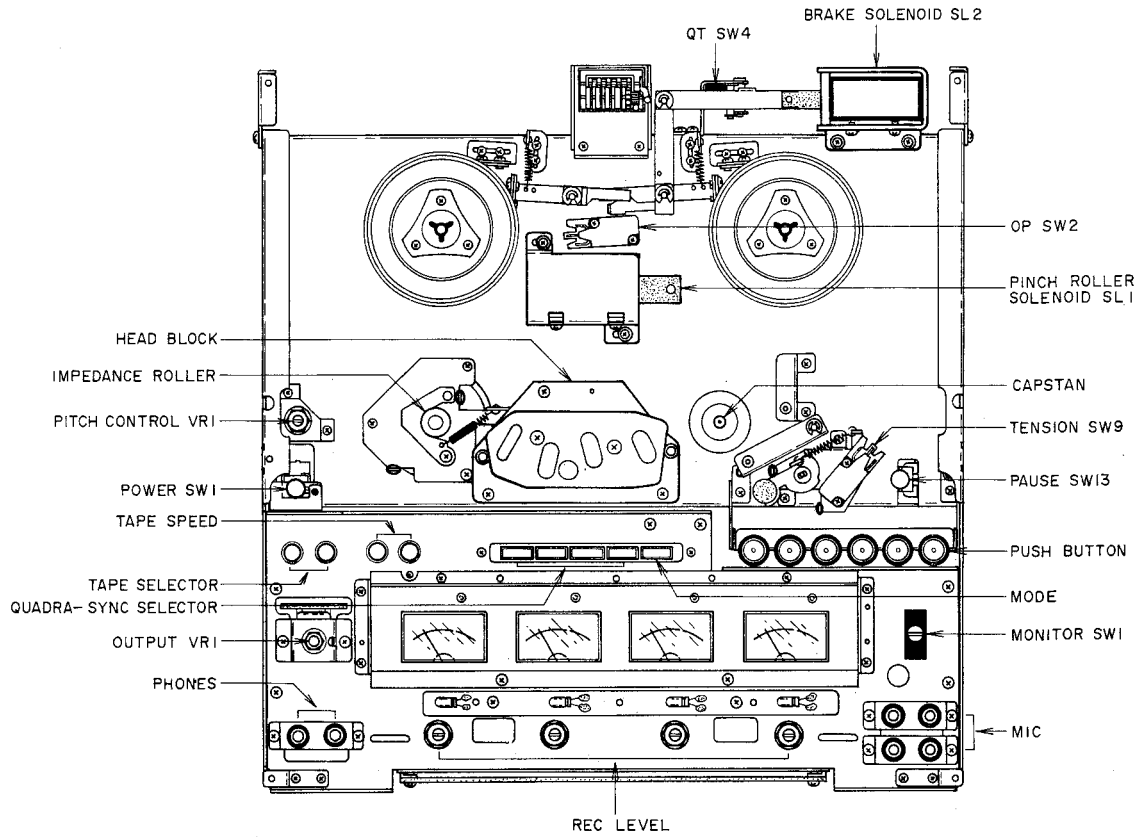


Fig. 2 Front View

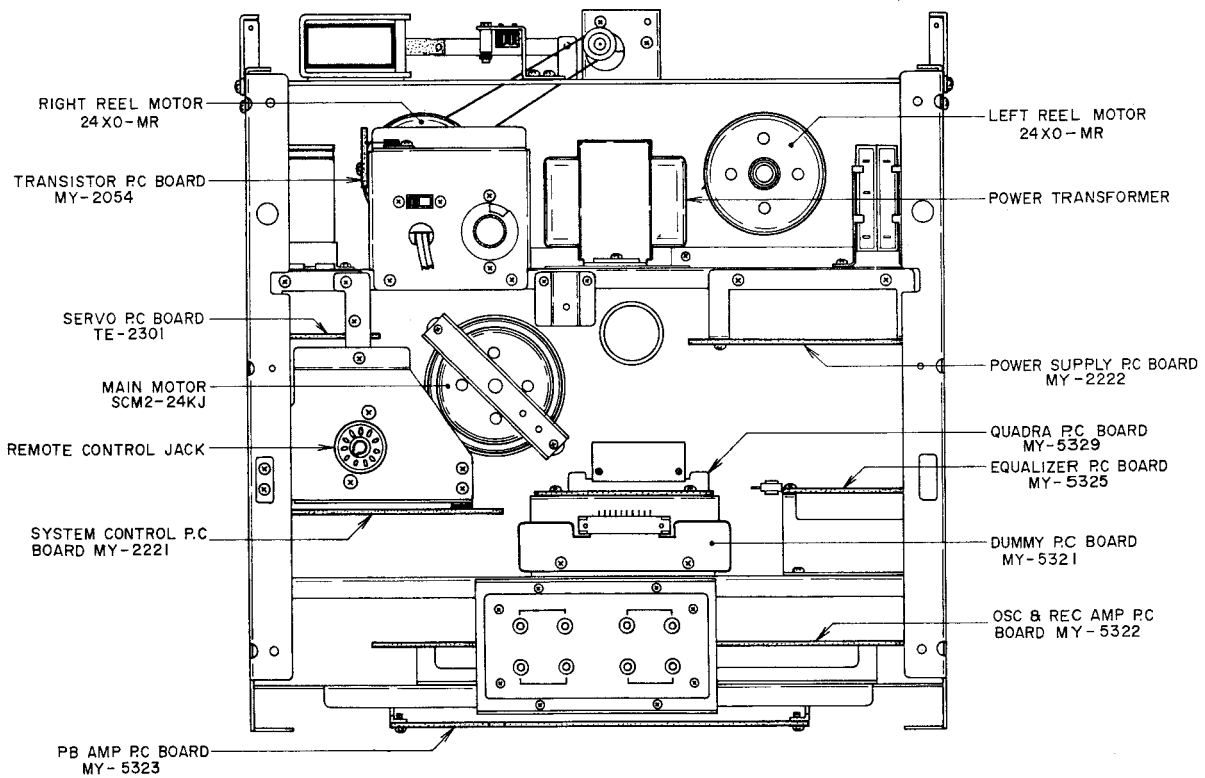


Fig. 3 Rear View

V. MECHANISM ADJUSTMENT

Because Mechanism Adjustments of this model are completely same as GX-270D, Please refer to Model GX-270D Service Manual Page-9 to Page-12.

VI. HEAD ADJUSTMENT

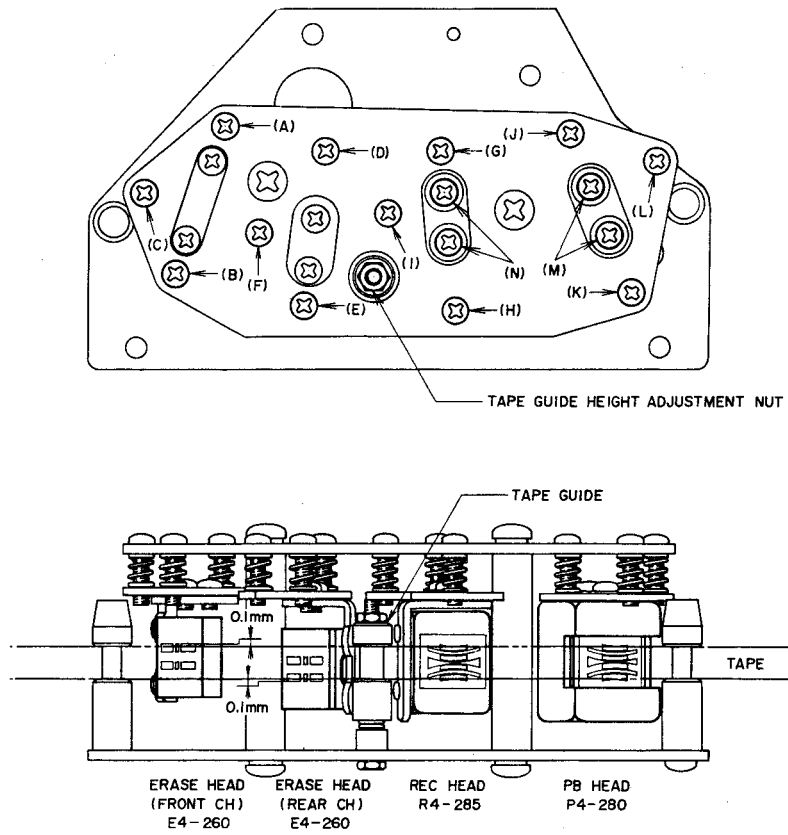


Fig. 4 Head Adjustment

Step	Adjustment Item	Test Tape Supply Signal	Mode	Adjustment Point	Remarks
1	Tape Guide Height	Optional	PLAY	Tape Guide Height Adjustment nut	Adjust so that tape does not twist between Tape Guides on head base
2	Erase Head Height (Front channel)	Optional	PLAY	Screws (A) (B) (C)	Upper edge of channel 1 head core is 0.1 mm higher than upper edge of tape
3	Erase Head Height (Rear channel)	Optional	PLAY	Screws (D) (E) (F)	Lower edge of channel 4 head core is 0.1 mm Lower than lower edge of tape
4	Recording Head Height	Optional	PLAY	Screws (G) (H) (I)	Even Upper of channel 1 head core and upper edge of tape
5	Playback Head Height	Optional	PLAY	Screws (J) (K) (L)	Same as Step 4 above
6	Playback Head Azimuth Alignment	8,000 Hz 3-3/4 ips test tape	PLAY	Screw (L)	Maximum output on all channels
7	Playback Head Gap Alignment	8,000 Hz 3-3/4 ips test tape	PLAY	Screw (M)	Adjust head gap surface so that there is no change in output level when tension is applied to the supply reel side
8	Recording Head Azimuth Alignment	SCOTCH #211 tape 15,000 Hz -20 dBm	REC	Screw (I)	Same as step 6 above
9	Recording Head Gap Alignment	SCOTCH #211 tape 15,000 Hz -20 dBm	REC	Screw (N)	Same as step 7 above

Chart 1

NOTE: Set tape speed to 7-1/2 ips when making all alignment adjustments.

VII. AMPLIFIER ADJUSTMENT

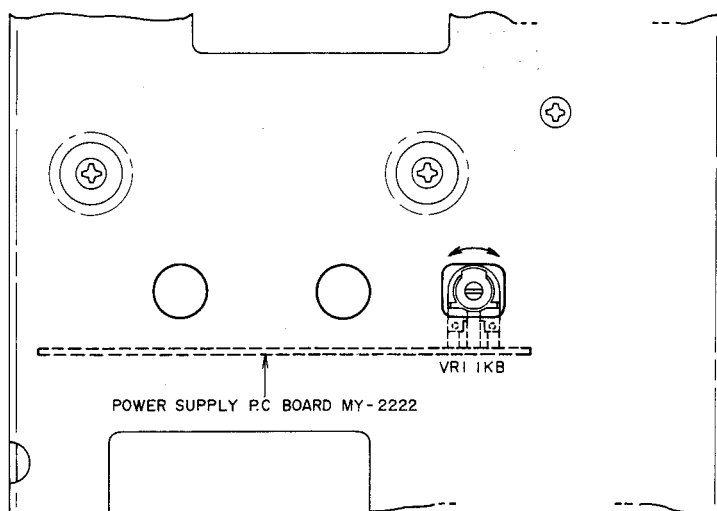


Fig. 5 Left Side Panel of Deck

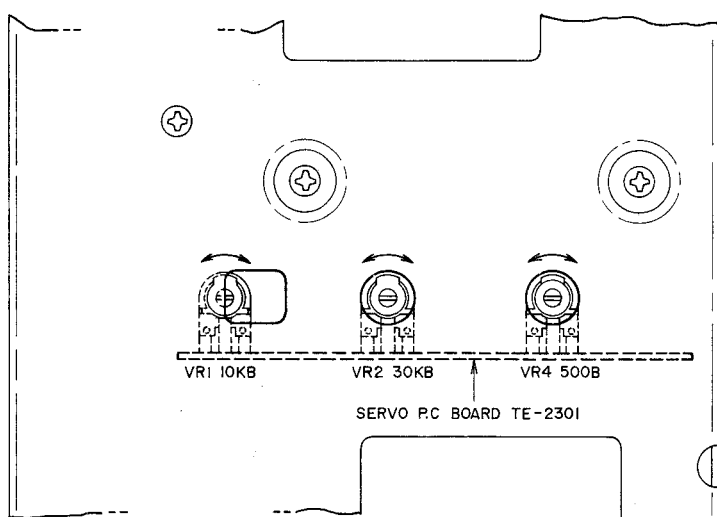


Fig. 6 Right Side Panel of Deck

1. POWER SUPPLY VOLTAGE AND TAPE SPEED ADJUSTMENT (See Fig. 5, 6)

Step	Adjustment Item	Test Tape Supply Signal	Mode	Adjustment Point	Result	Remarks
1	DC Power Supply Voltage	None	Stop	VR1 1 kΩ (MY-2222)	24V	Measure at terminal (2) of MATE-N-LOCK P9
2	DC Power Supply Voltage	None	Stop	VR4 500Ω (TE-2301)	24V	Measure at TR7 Emitter of Servo P.C Board
3	Tape Speed 7-1/2 ips	1,000 Hz 7-1/2 ips Test Tape	Play	VR1 10 kΩ (TE-2301)	1,000 Hz ±0.5%	Set tape speed to 7-1/2 ips position
4	Tape Speed 3-3/4 ips	1,000 Hz 7-1/2 ips Test Tape	Play	VR2 30 kΩ (TE-2301)	500 Hz ±0.5%	Set tape speed to 3-3/4 ips position

Chart 2

NOTE: When making Tape Speed adjustments be sure to set PITCH CONTROL to center position.

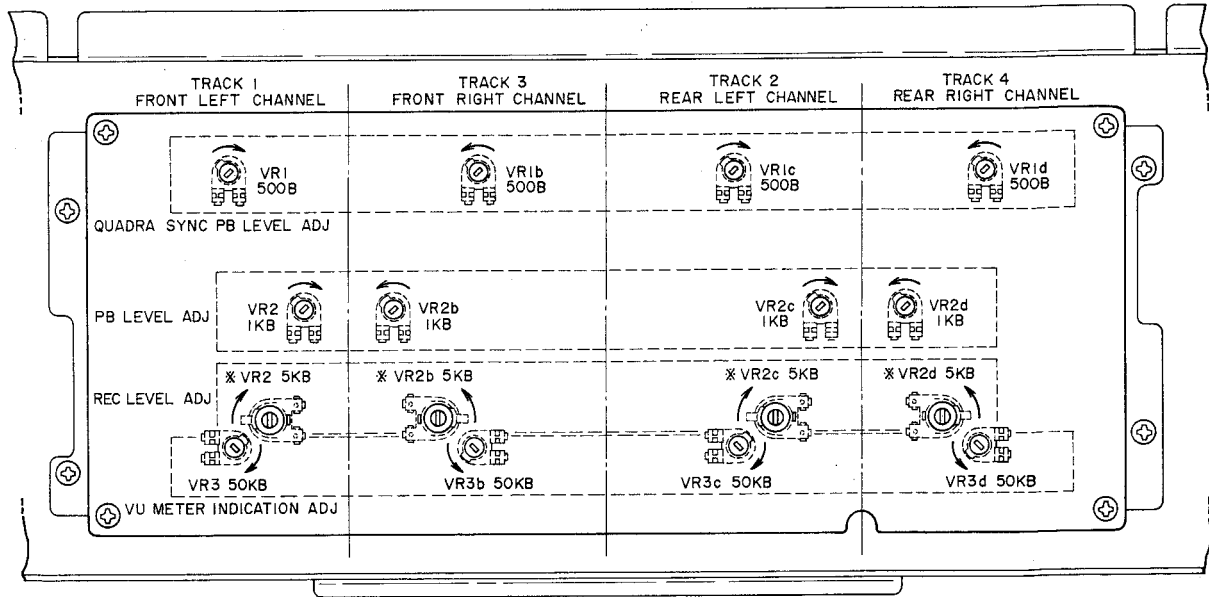


Fig. 7 Bottom View

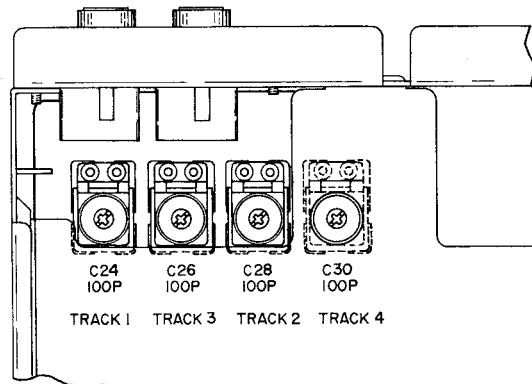


Fig. 8 Bottom View

2. RECORDING AND PLAYBACK AMPLIFIER ADJUSTMENT (See Fig. 7, 8)

Step	Adjustment Item	Test Tape Supply Signal	Mode	Adjustment Point	Result	Remarks
1	Playback Level (Normal)	700 Hz 7-1/2 ips Test Tape	Play	VR2 1 kB (MY-5323)	0 ± 0.5 dBm (0.775V)	Quadra Sync OFF
2	Playback Level (Quadra Sync)	700 Hz 7-1/2 ips Test Tape	Play	VR1 500B (MY-5323)	0 ± 0.5 dBm (0.775V)	Quadra Sync
3	VU Meter Sensitivity	700 Hz 7-1/2 ips Test Tape	Play	VR3 50 kB (MY-5323)	"0" VU indication	
4	Recording Level	SCOTCH #211 tape 1,000 Hz "0" VU recording	Rec and Play	VR2 5 kB (MY-5322)	0 ± 0.5 dBm (0.775V)	Tape Selector to LOW NOISE position
5	Frequency Response	SCOTCH #211 tape 1,000 Hz, 10,000 Hz -20 dBm recording	Rec and Play	C24 (Track 1) C26 (Track 3) C28 (Track 2) C30 (Track 4)	1,000 Hz to 10,000 Hz flat response	Tape Selector to LOW NOISE position and Tape Speed to 3-3/4 ips

Chart 3

- NOTES: 1. Output Volume to maximum position.
 2. The letters "b" "c" and "d" following a part number indicate "Track 3" "Track 2" and "Track 4" channels.

b = Track 3

c = Track 2

d = Track 4

VIII. DC RESISTANCE OF VARIOUS COIL

Part	Designation	DC Resistance
Main Motor	SCM2-24KJ	Between BLU-RED 100 ohms Between YLW-GRN 180 ohms Pick-up Coil 0.35 ohms
Reel Motor	24XO-MR	Between BLU-RED 74 ohms Between YLW-GRN 166 ohms
Pinch Roller Solenoid	1660THT3	685 ohms
QT Solenoid	KGS10CM 1,300 ohms	1,300 ohms
Relay	MY4-O-US-AD4 DC24V	650 ohms
Relay	MTS-2	1,000 ohms $\pm 10\%$
Headphone Output Transformer	N19-349S	Primary 160 ohms $\pm 15\%$ Secondary 0.64 ohms $\pm 15\%$
Oscillator Coil	OT-204	Between 1-3 0.3 ohms Between 4-6 0.7 ohms Between 7-9 8.2 ohms
Erase Head	E4-260	3.5 ohms
Recording Head	R4-285	13 ohms
Playback Head	P4-280	350 ohms

Chart 4

* Resistance values shown in this chart are average values.

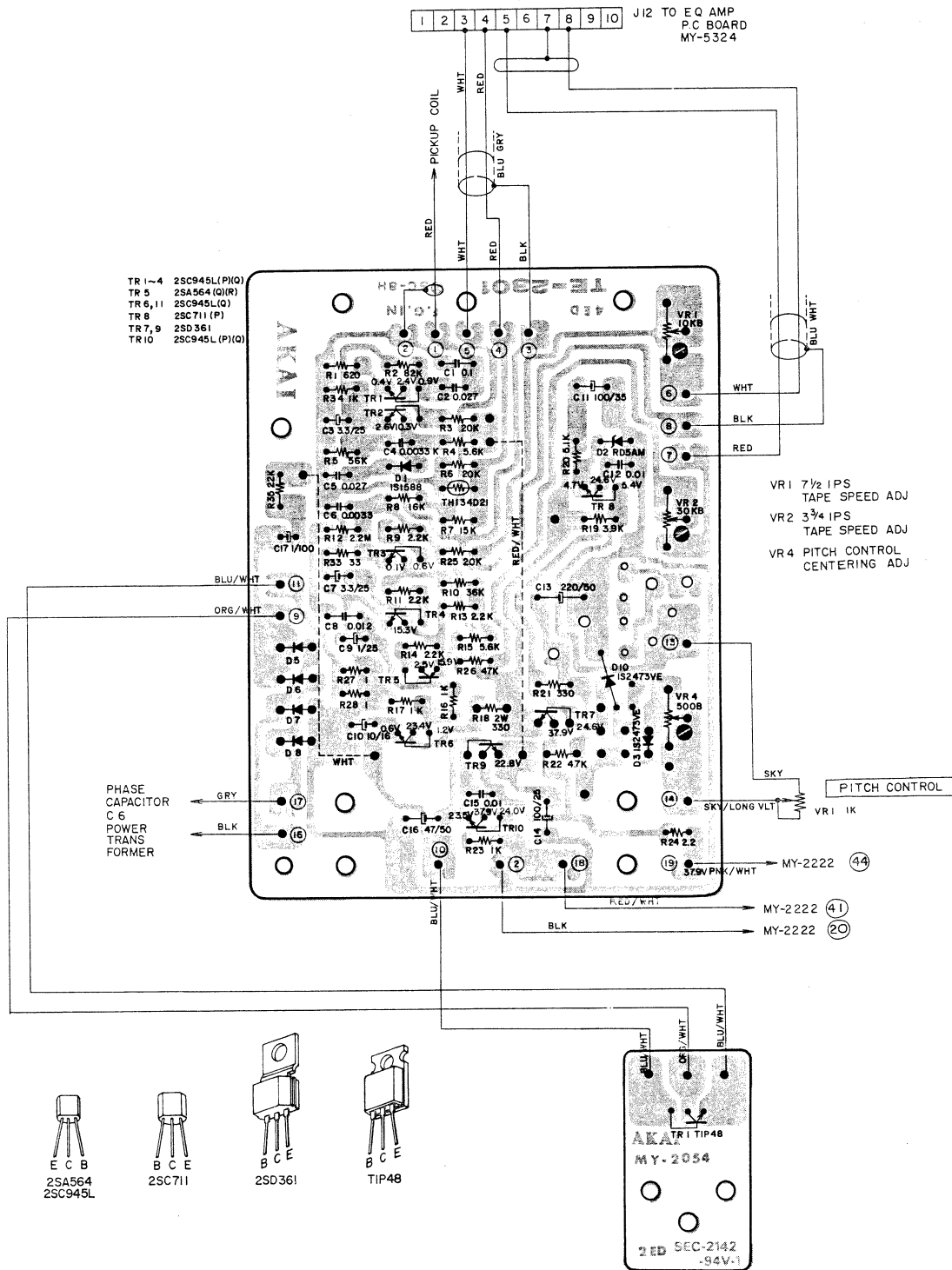
IX. CLASSIFICATION OF VARIOUS P.C BOARDS

1. RELATION OF VARIOUS P.C BOARD TITLE AND IDENTIFICATION NUMBER

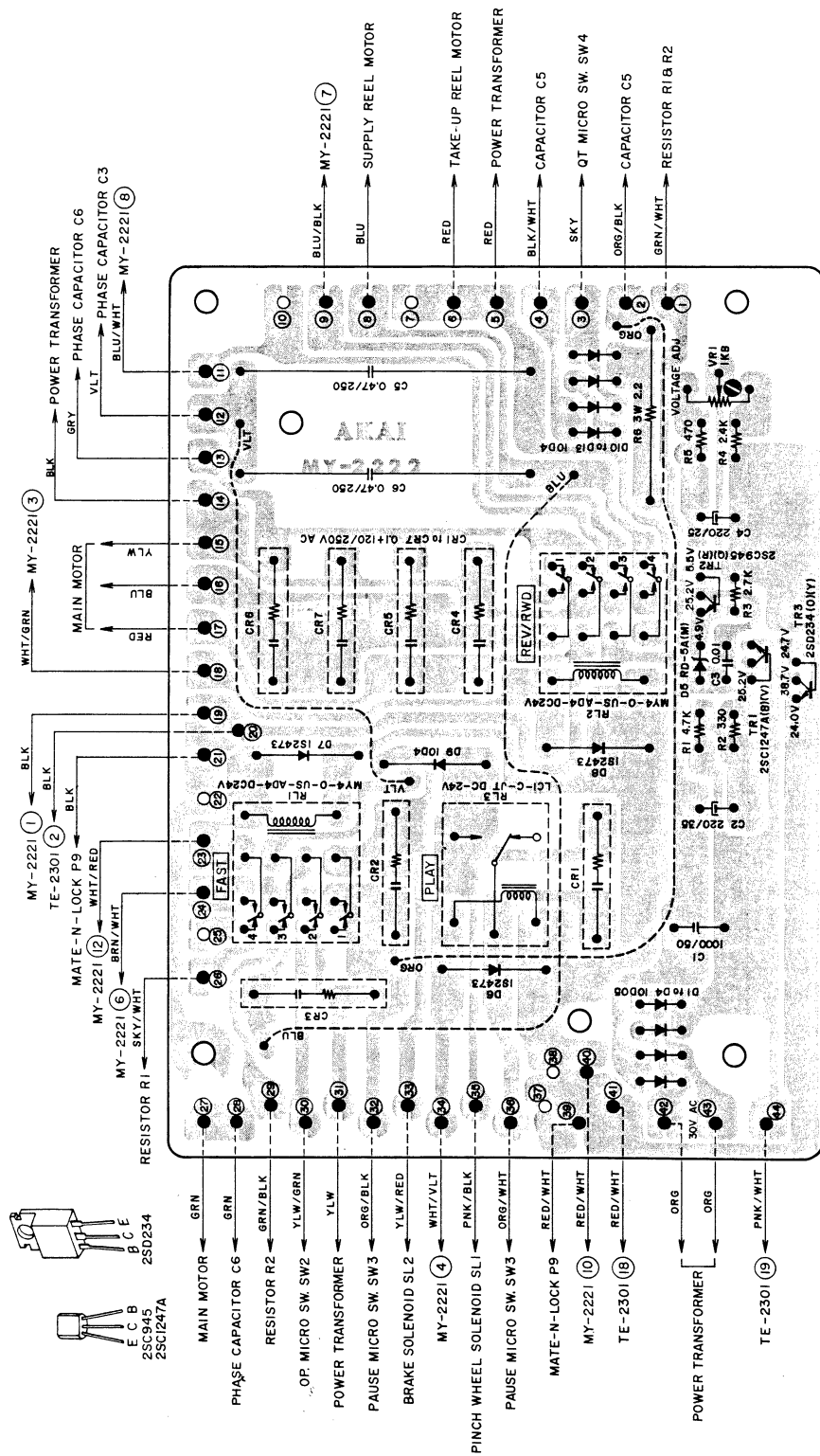
P.C Board	Number of P.C Board
Servo P.C Board	TE-2301
System Control P.C Board	MY-2221
Power Supply P.C Board	MY-2222
Transistor P.C Board	MY-2054
PB Amp P.C Board	MY-5323
OSC & REC Amp P.C Board	MY-5322
Dummy P.C Board	MY-5321
Quadra P.C Board A	MY-5328
Quadra P.C Board B	MY-5329
Equalizer P.C Board B	MY-5325
Volume P.C Board	TE-5305
Monitor P.C Board	MY-5327
REC Lamp P.C Board	MY-5326
Lamp P.C Board	MY-5320

2. COMPOSITION OF VARIOUS P.C BOARDS

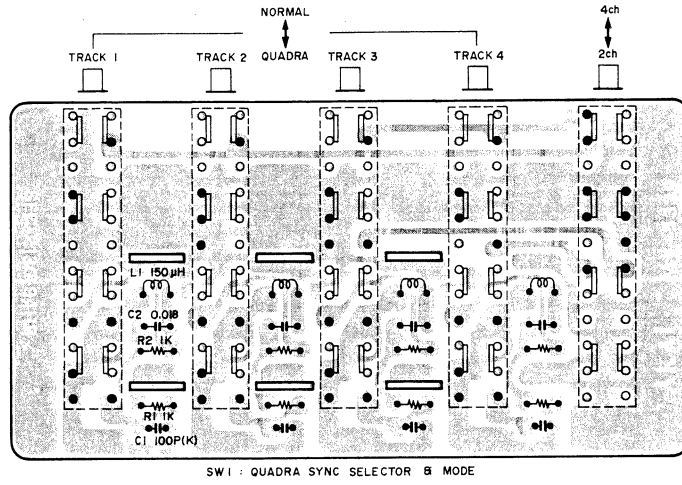
SERVO P.C BOARD TE-2301 AND TRANSISTOR P.C BOARD MY-2054



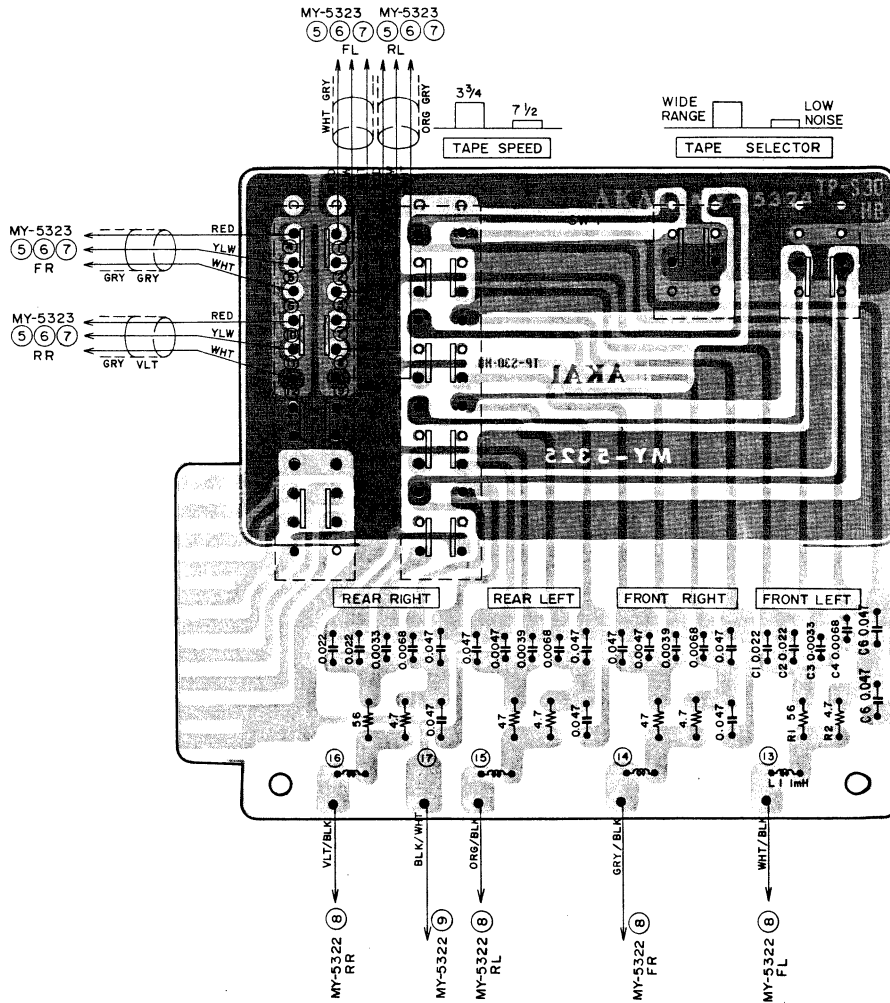
POWER SUPPLY P.C BOARD MY-2222



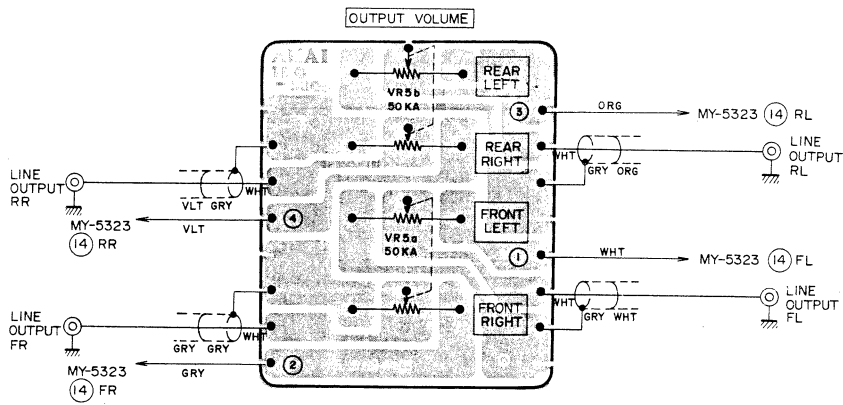
QUADRA P.C BOARD B MY-5329



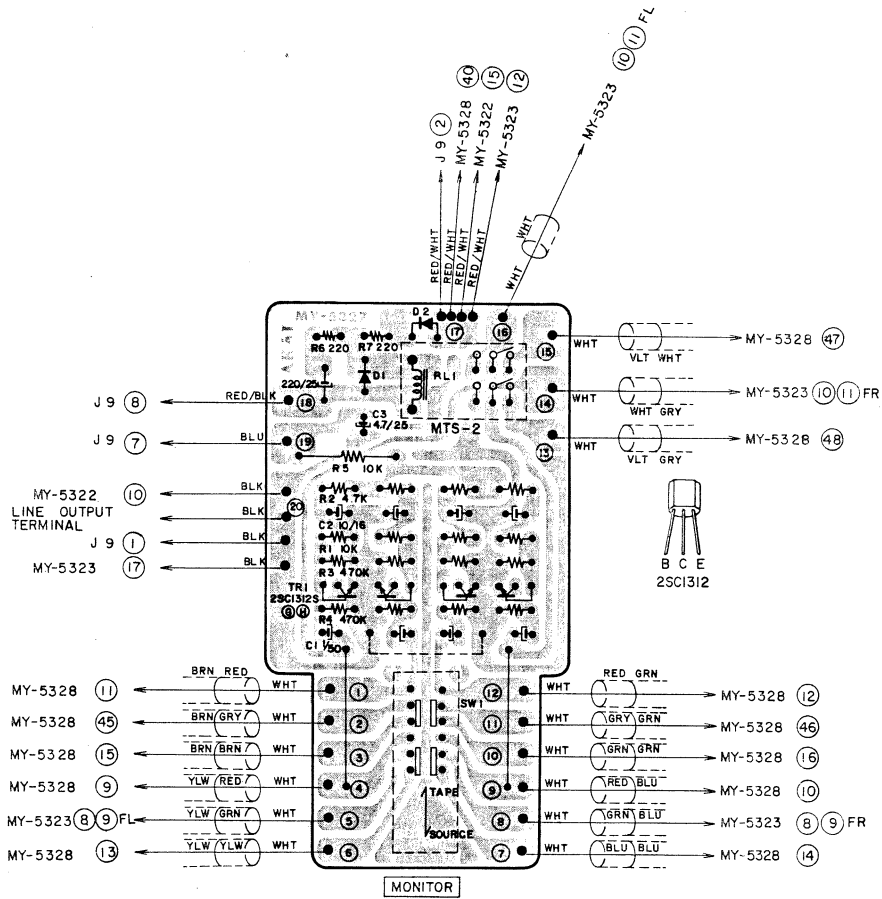
EQUALIZER P.C BOARD A MY-5324 & B MY-5325



VOLUME P.C BOARD TE-5305

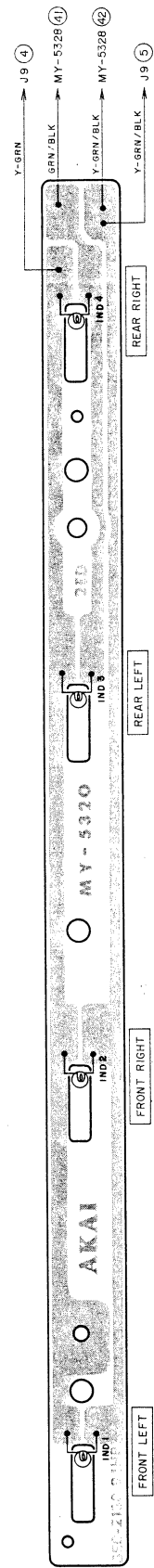
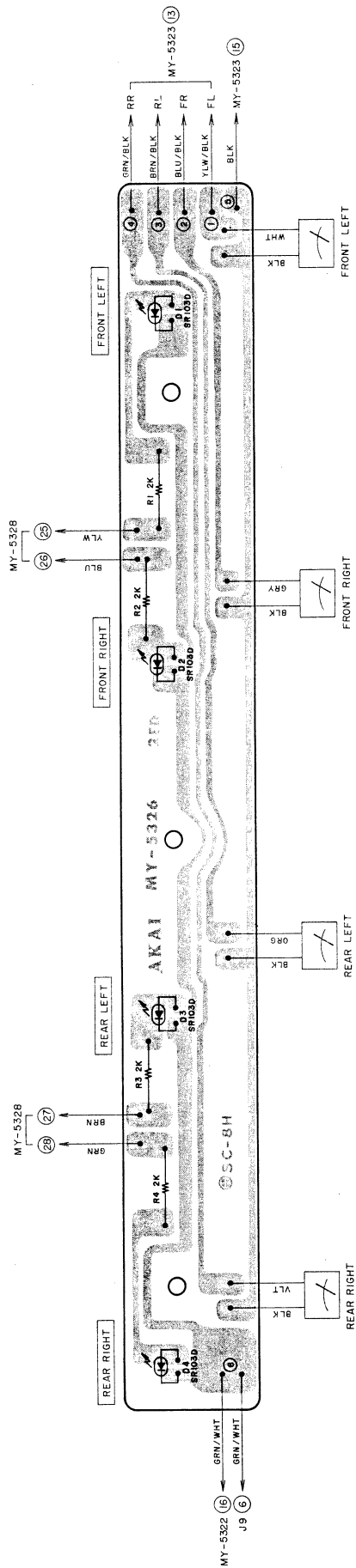


MONITOR P.C BOARD MY-5327



REC LAMP P.C BOARD MY-5326

LAMP P.C BOARD MY-5320



MEMO

MEMO

MEMO

MEMO

SECTION 2

PARTS LIST

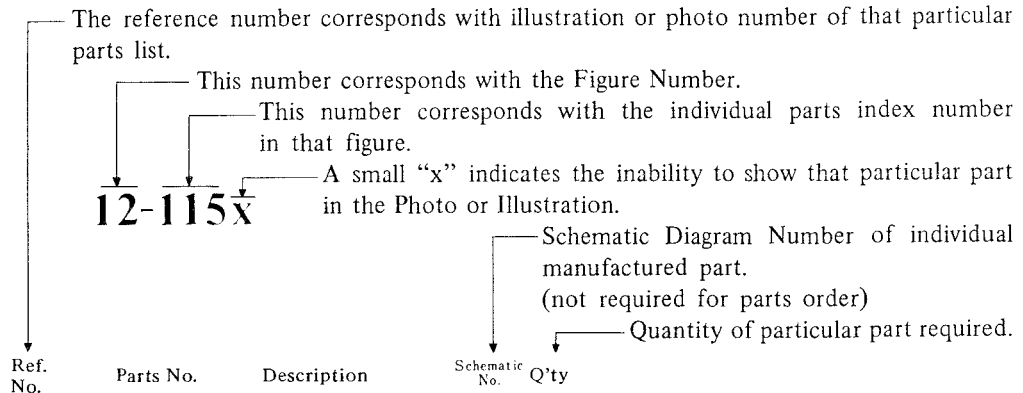
TABLE OF CONTENTS

RECOMMENDED SPARE PARTS LIST	31
1. HEAD BLOCK	33
2. REEL MOTOR/REEL TABLE BLOCK	34
3. MOTOR BLOCK	35
4. IMPEDANCE ROLLER BLOCK	36
5. PAUSE SW./TENSION ARM BLOCK	37
6. PINCH ROLLER PLUNGER/QUICK SW. BLOCK	38
7. OPERATION BLOCK	39
8. POWER SUPPLY BLOCK	40
9. MECHA ASSEMBLY BLOCK	42
10. P.C BOARDS	44
(1) SERVO P.C BOARD (TE-2301) BLOCK	44
(2) SYS. CON P.C BOARD (MY-2221) BLOCK	44
(3) POWER SUPPLY P.C BOARD (MY-2222) BLOCK	44
(4) PB P.C BOARD (MY-5323) BLOCK	44
(5) REC. OSC P.C BOARD (MY-5322) BLOCK	45
(6) DUMMY P.C BOARD (MY-5321) BLOCK	45
(7) QUADRA P.C BOARD (MY-5329) BLOCK	45
(8) EQ. P.C BOARD (MY-5325) BLOCK	45
(9) VOL. P.C BOARD (TE-5305) BLOCK	45
(10) MONITOR SW. P.C BOARD (MY-5327) BLOCK	45
11. AMP ASSEMBLY BLOCK	46
12. FINAL ASSEMBLY BLOCK	48
13. LIST OF INTERCHANGEABLE SEMICONDUCTORS	49
INDEX	50

Resistor and Capacitor which is not listed in this parts list, please refer to COMMON LIST FOR SERVICE PARTS.

HOW TO USE THIS PARTS LIST

1. This parts list is compiled by various individual blocks based on assembly process.
2. When ordering parts, please describe parts number, serial number, and model number in detail.
3. How to read List



Ref. No.	Parts No.	Description	Schematic No.	Q'ty
FLYWHEEL BLOCK #13				
12-115x	800425	Flywheel Block Assy. Comp.	RDG #13	1
12-116	244506	Flywheel Only	RD-233	1
12-117x	244754	Felt, Flywheel	RD-275	1
12-118	251324	Main Metal Case	RD-236	1
12-119	253080	Main Metal	RD-237	1

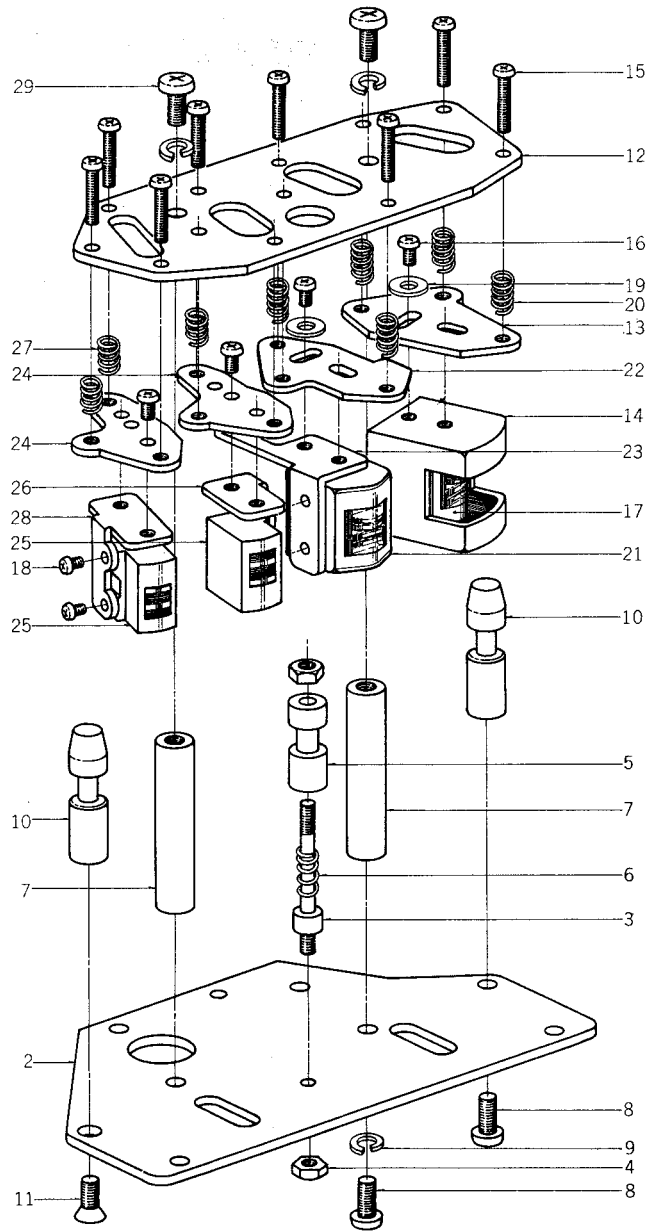
4. The symbol numbers shown on the P.C. Board list can be matched with the Composite Views of Components of the Schematic Diagram or Service Manual.
5. Please utilize separate "Common List for Service Parts" for Resistor Parts orders.
6. The shape of the parts and parts name, etc. can be confirmed by comparing them with the parts shown on the Electrical Parts Table of P.C. Board.
7. Both the kind of part and installation position can be determined by the Parts Number. To determine where a parts number is listed, utilize Parts Index at end of Parts List.
It is necessary first of all to find the Parts Number. This can be accomplished by using the Reference Number listed at right of parts number in the Parts Index. (meaning of ref. no. outlined in Item 3 above).
8. Utilize separate "Price List for Parts" to determine unit price. The most simple method of finding parts Price is to utilize the reference number.

RECOMMENDED SPARE PARTS LIST

Parts No.	Designation	Note
BA210227	EQ. P.C Board Comp. MY-5325	
BA210216	Quadra P.C Board Comp. MY-5329	
BA660688	Servo P.C Board Comp. TE-2301	
BA210284	PB P.C Board Comp. MY-5323	
BA210238	Dummy P.C Board Comp. MY-5321	
BA210082	Power Supply P.C Board Comp. MY-2222	
BA210183	Monitor SW. P.C Board Comp. MY-5327	
BA210328	REC, OSC P.C Board Comp. MY-5322	
BA695125	Sys. Con P.C Board Comp. MY-2221	
BC682222	Case Block Comp.	
BC682233	Case Block Comp.	CSA
BI657112	Impedance Roller Block Comp.	
BJ210330	Jack Plate Block Comp.	
BJ210341	Jack Plate Block Comp.	CSA
BM600298	Main Motor Block Comp.	Same as GX-286
BM314741	Reel Motor Block Comp.	Same as GX-210D
BR398430	Supply Reel Table Block Comp.	Same as GX-280D
BR398441	Take-up Reel Table Block Comp.	Same as GX-280D
BS622631	Quick SW. Block Comp.	
BT621922	Power Trans. MYT-1	U/T
BT621988	Power Trans. MYT-11	CSA
BT621990	Power Trans. MYT-12	CEE
BZ622618	Tension Arm Block Comp.	
BZ624813	Pause SW. Block Comp.	
EL621167	Lamp (Reed type) 5.5V 60MA	
EM558180	VU Meter KL-243S-21	
ES207720	Push SW. 4FT-0001EF5020	
ES207718	Push SW. 5FT-0001FF-5020	
ES499972	Push SW. JS-09	
ES479395	Push SW. TV-3 JH5	
ES207685	Lever SW. SLA34215	
EV207753	VOL. DJ60R512A 50 kx2	
HE563220	Erase Head E4-260	Same as GX-400DSS, GX-286
HP513281	Playback Head P4-280	Same as GX-400DSS
HR565672	Recording Head R4-285	Same as GX-400DSS
MB625566	Counter Belt	
MC621887	Counter MP-490-21	
MP625048	LC Pinch Roller H	
SB643500	Button A	
SB643577	Button B	
SB640732	Button C	
SB640743	Button D	

Parts No.	Designation	Note
SB679860	Push Button (Square)	
SB631282	Push Button H	
SK634410	Push Button Knob J	
SK631304	Push Button Knob I	
SK640912	Double Knob (Upper) TE-6011	Mic input control knob
SK640923	Double Knob (Lower) TE-6012	Line input control knob
SK653758	Double Knob (Upper) TE-6306	Output control knob
SK653760	Double Knob (Lower) TE-6307	Output control knob
SK638976	Knob 1-C	
SP204107	Meter Panel	
SP200463	Front Panel	

1. ILLUSTRATION OF HEAD BLOCK

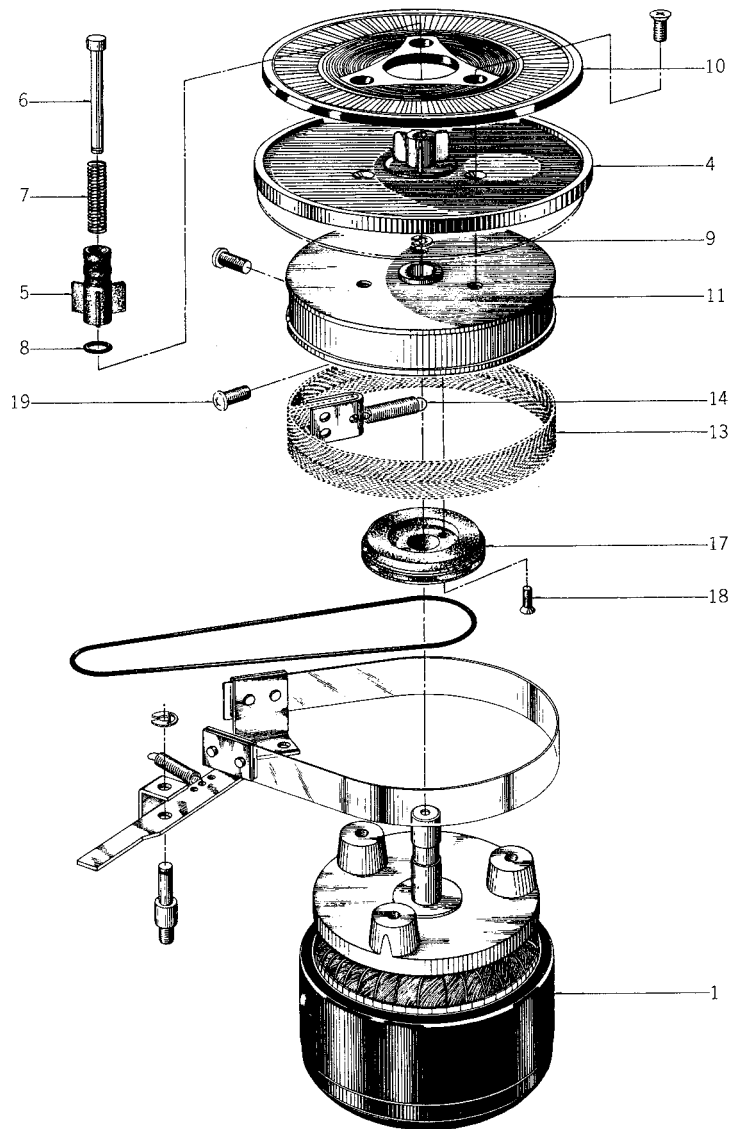


1) HEAD BLOCK

Ref. No.	Parts No.	Description	Schematic No.	Q'ty	Ref. No.	Parts No.	Description	Schematic No.	Q'ty
1-1x	BH210137	Head Block Comp.	MY3	1	1-18	ZS201475	Screw, pan head 2x3		8
1-2	HZ203747	Head Base B	MY-0302	1	1-19	ZW413256	Washer (SPC) D3.4x7.8x0.5t		4
1-3	MH578957	Tape Guide Prop	TD-0003	1	1-20	ZG466312	Angle Adjust Spring E	BS-0018	6
1-4	ZW273756	Nut M3, #1		2	1-21	HR565672	REC HEAD R4-285	TW3,MY3	1
1-5	HZ532710	Tape Guide B	TW-0006	1	1-22	HZ203580	RH Mt. Base	MY-0303	1
1-6	ZG466312	Angle Adjust Spring E	BS-0018	1	1-23	HA208348	RH Angle B	TW-0201	1
1-7	HZ532686	Head Base Prop A	TW-0003	2	1-24	HZ203591	EH Mt. Base	MY-0304	2
1-8	ZS413201	Screw, pan head 4x8		3	1-25	HE563220	ERASE HEAD E4-260	KJ,TW3,MY3	2
1-9	ZW273914	Spring Washer M4		4	1-26	HA549944	REH Angle	TW-0301	1
1-10	MS625072	Tape Guide	MY-0003	2	1-27	ZG540584	Angle Adjust Spring G	TW-0025	6
1-11	ZS414044	Screw, countersunk head 4x8		1	1-28	HA533608	EH Angle	TW-0202	1
1-12	HZ203736	Head Base A	MY-0301	1	1-29	ZS201778	Screw, pan head 4x8		2
1-13	HZ532765	PH Mt. Base	TW-0010	1	1-30x	EJ208001	10P Multi Jack	31-4-25	3
1-14	HZ532776	Shield Case	TW-0011	1	1-31x	ZS462947	Screw, pan head 2.3x12		4
1-15	ZS608512	Screw, pan head 3x13		12	1-32x	ZW273688	Nut M2.3		4
1-16	ZS608477	Screw, pan head 3x4		8	1-33x	ZW273633	Earth Lug M2.3		2
1-17	HP513281	PB HEAD P4-280	KF2,TW3,MY3	1	1-34x	ZW269785	Toothed Lock Washer M2.3		2

When ordering parts, Please describe Parts Number, Serial Number, and Model Number in detail.

2. ILLUSTRATION OF REEL MOTOR/REEL TABLE BLOCK

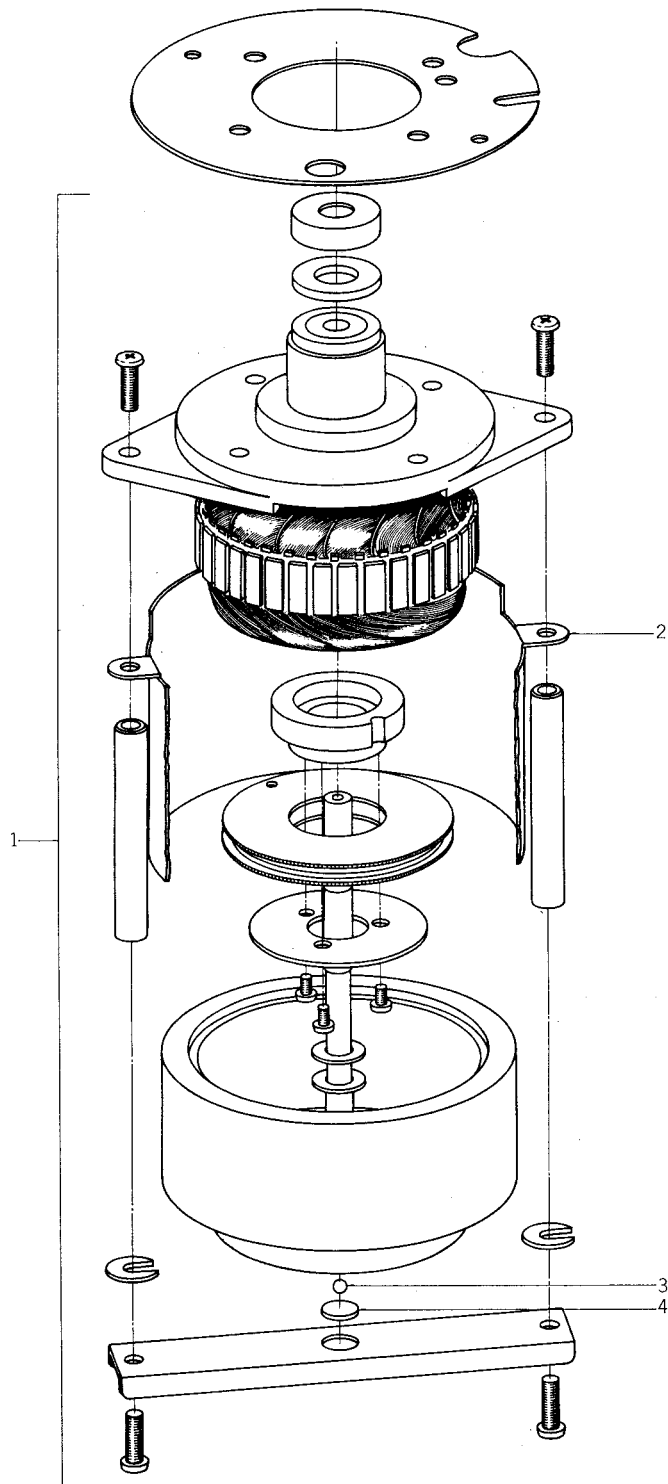


2) REEL MOTOR/REEL TABLE BLOCK

Ref. No.	Parts No.	Description	Schematic No.	Q'ty	Ref. No.	Parts No.	Description	Schematic No.	Q'ty
2-1	BM314741	Motor Block Comp. (24XO-MR)	MR,KD,MS,MC	2	2-10	MT397225	Reel Table Rubber	KD-2017	1
2-2x	BR398430	Supply Reel Table Block Comp.	KGI,KJ,MY	1	2-11	MT495606	Brake Drum (R) A (Take-up)	MR-216	1
2-3x	BR398441	Take-up Reel Table Block Comp.	KGI,KJ,MY	1	2-12x	MT495617	Brake Drum (L) A (Supply)	MR-216	1
2-4	MT488147	Reel Table Disk B, RD	RD-272	1	2-13	MT436860	Brake Cloth Comp.	MR-269	1
2-5	MT255420	Reel Retainer	3R-102	1	2-14	ZG317496	Felt Tension Spring	MR-260	1
2-6	MS342000	Reel Shaft	3R-108	1	2-15x	ZW562476	Earth Lug M3		1
2-7	ZG255633	Reel Spring	3R-109	1	2-16x	ZS417216	Screw, pan head 3x4		1
2-8	MT516565	'O' Ring 2.8x1.9	3R-139	1	2-17	MR317507	Counter Pulley (Take up)	MR-217	1
2-9	ZW270088	'E' Ring 1.9M	6-1-9	1	2-18	ZS433315	Screw, countersunk head 2.3x8		2
					2-19	ZS424056	Screw, pan head 4x10		2

When ordering parts, Please describe Parts Number, Serial Number, and Model Number in detail.

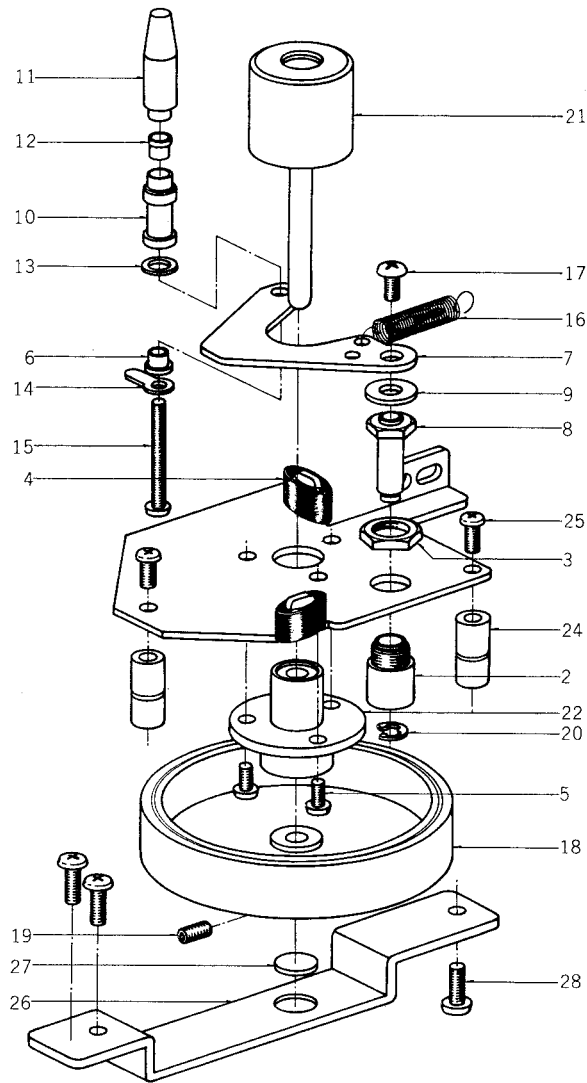
3. ILLUSTRATION OF MOTOR BLOCK



3) MOTOR BLOCK

Ref. No.	Parts No.	Description	Schematic No.	Q'ty
3-1	BM600298	Motor Block Comp. (SCM2-24KJ)	KJ,MY	1
3-2	MZ650046	Motor Shield Plate	TE-7008	1
3-3	MV368886	Steel Ball D3		1
3-4	MZ597690	Ball Holder	KJ-7029	1

4. ILLUSTRATION OF IMPEDANCE ROLLER BLOCK

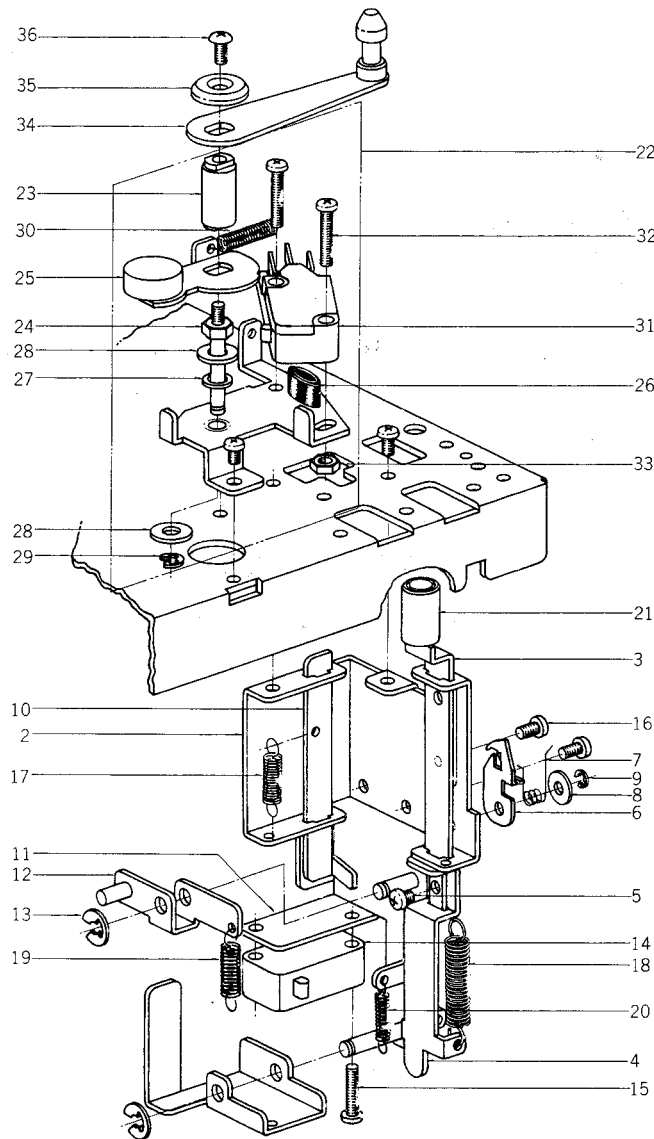


4) IMPEDANCE ROLLER BLOCK

Ref. No.	Parts No.	Description	Schematic No.	Q'ty	Ref. No.	Parts No.	Description	Schematic No.	Q'ty
4-1x	BI657112	Impedance Roller Block			4-16	ZG646020	Z Arm Spring	MY-2059	1
		Comp.	MY	1	4-17	ZS201150	Screw, truss head 3x6(Black)		1
4-2	MV597082	Sensing Shaft Metal	KJ-2028	1	4-18	MI284444	Flywheel	MY-2078	1
4-3	ZW603990	Metal Nut	6-3-9	1	4-19	ZS687137	Set Screw, hexagon socket 3x4 (Flat/P.)		2
4-4	MB606712	Stopper Rubber KJ	KJ-2060	2	4-20	ZW270101	'E' Ring 3M	6-1-9	1
4-5	ZS499331	Screw, pan head 2.3x5		3	4-21	MR284433	Z Roller Comp.	MY-2077	1
4-6	EZ606701	Insulator Collar (L)	KJ-2039	1	4-22	BZ283432	Metal Case Comp.	MY-2074	1
4-7	MZ597137	Sensing Arm	KJ-2036	1	4-23x	ZW286255	Washer D3x10x1t (Teflon)		1
4-8	MS597148	Sensing Shaft	KJ-2037	1					
4-9	ZW604012	Washer (SPCC-D) D4.3x11x0.1t		3	4-24	MH625162	Z Block Prop	MY-1004	3
4-10	MZ597172	Sensing Post (Lower)	KJ-2040	1	4-25	ZS422076	Screw, pan head 3x5		3
4-11	MZ597150	Sensing Post (Upper)	KJ-2038	1	4-26	MZ596823	Thrust Plate	KJ-1004	1
4-12	SE597161	Insulated Collar (S)	KJ-2039	1	4-27	ZW593212	Washer (Nylon) D8x1t		1
4-13	ZW601075	Washer (PBP) D4.1x7x0.1t		1	4-28	ZS421806	Screw, pan head 3x8		3
4-14	ZW273633	Earth Lug M2.3		1					
4-15	ZS484828	Screw, binding head 2.3x25		1					

When ordering parts, Please describe Parts Number, Serial Number, and Model Number in detail.

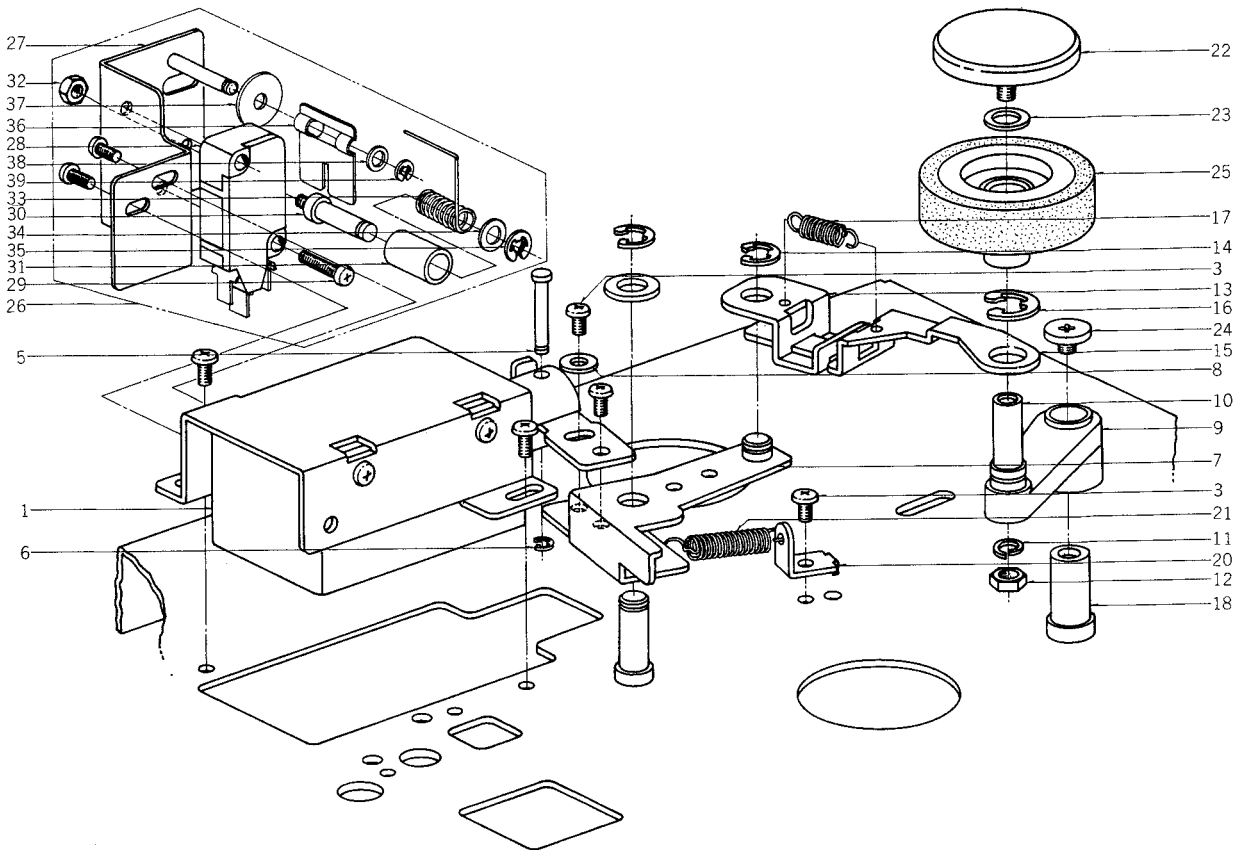
5. ILLUSTRATION OF PAUSE SW./TENSION ARM BLOCK



5) PAUSE SW./TENSION ARM BLOCK

Ref. No.	Parts No.	Description	Schematic No.	Q'ty	Ref. No.	Parts No.	Description	Schematic No.	Q'ty
PAUSE SW. BLOCK					TENSION ARM BLOCK				
5-1x	BZ624813	Pause SW. Block Comp.	MY2,3	1	5-20	ZG371114	Reset Lever Spring	ED-219	1
5-2	MZ631001	Pause Lever Bracket, w/shaft	MY-2214	1	5-21	SK631282	Push Button Knob H	91-5051	1
5-3	ML630955	Pause Button Lever A, w/pin C	MY-2209	1					
5-4	ML630966	Pause Button Lever B	MY-2210	1	5-22	BZ622618	Tension Arm Block Comp.	MY	1
5-5	ZS432674	Screw, pan head 3x3		1	5-23	MS625825	Tension Shaft A	MY-2024	1
5-6	TC515575	SW. Lock Cam B	CG-2301	1	5-24	MS615014	Tension Shaft B	MY-2032	1
5-7	ZG632553	Button Lock Spring C	CG-2303	1	5-25	MZ627265	Tension SW. Cam, w/weight	MY-2025	1
5-8	ZW550642	Washer (SPC) D3.1x7.9x0.5t		1	5-26	MZ810191	Cushion Rubber, RD	RD-278	1
5-9	ZW270088	'E' Ring 1.9M	6-1-9	1	5-27	ZW601075	Washer (PBP) D4.1x7x0.1t		1
5-10	ML630990	Lock Lever	MY-2213	1	5-28	ZW419646	Washer (SPC) D4.5x9.8x0.5t		2
5-11	MZ631012	Switch Bracket, w/pin	MY-2215	1	5-29	ZW270101	'E' Ring 3M	6-1-9	1
5-12	ML630977	Pause Lever, w/pin	MY-2211	1	5-30	ZG614970	Tension Spring	MY-2026	1
5-13	ZW290283	'U' Ring 2.85M	6-1-1	2	5-31	ES562465	Micro SW. K-1	25-1-26	1
5-14	ES249974	Micro SW. M-8-3 U/L	25-1-4	1	5-32	ZS422965	Screw, pan head 3x15		2
5-15	ZS483502	Screw, pan head 3x13		2	5-33	ZW273756	Nut M3, #1		1
5-16	ZS422076	Screw, pan head 3x5		2					
5-17	MZ606723	Spring T	KJ-2059	1	5-34	ML580465	Tension Arm, w/guide B	TD-2039	1
5-18	ZG314706	Spring IB	MR-115	1	5-35	ZW535094	Decorative Washer	TW-2077	1
5-19	ZG316833	DS Spring	MR-257	1	5-36	ZS200395	Screw, countersunk head 3x6		1

6. ILLUSTRATION OF PINCH ROLLER PLUNGER/QUICK SW. BLOCK

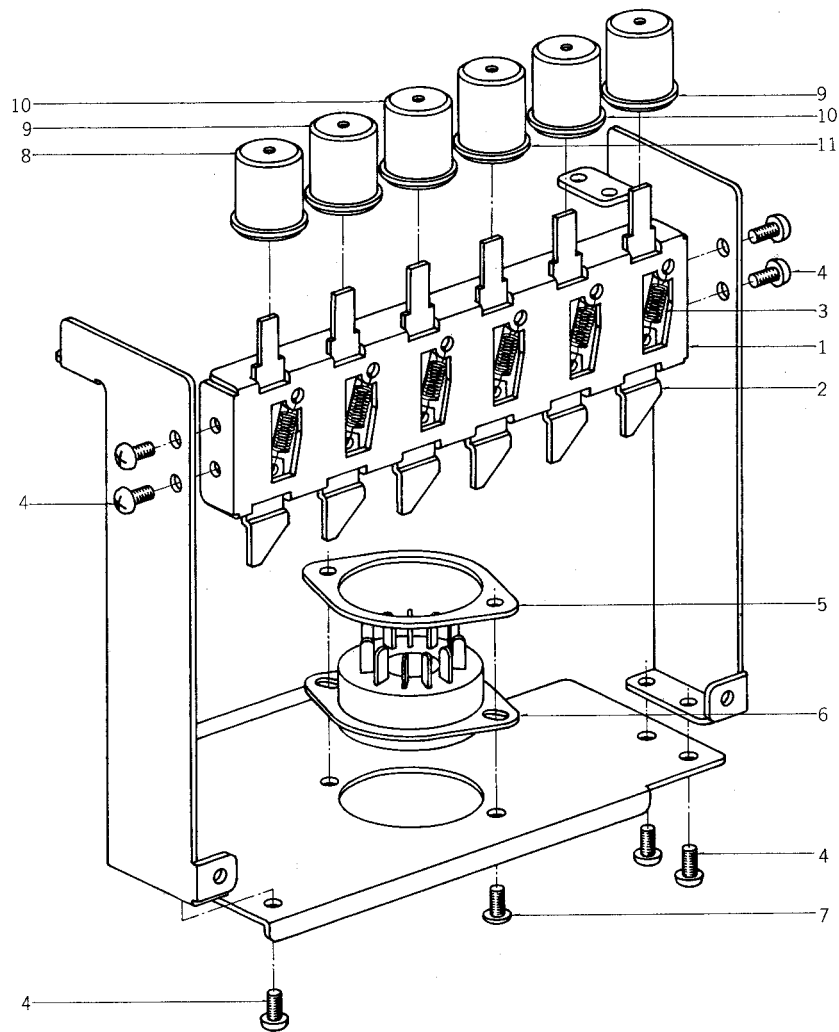


6) PINCH ROLLER PLUNGER/QUICK SW. BLOCK

Ref. No.	Parts No.	Description	Schematic No.	Q'ty	Ref. No.	Parts No.	Description	Schematic No.	Q'ty
PINCH ROLLER PLUNGER BLOCK					QUICK SW. BLOCK				
6-1	EP573658	Plunger Solenoid 1660THT-3	44-1-66	1	6-21	ZG580768	Spoke Spring	TD-2077	1
6-2x	ED224550	Silicon Diode 10D4	45-2-16	1	6-22	SK631326	Pinch Roller Cap C, w/screw	MS-6020	1
6-3	ZS422076	Screw, pan head 3x5		5	6-23	ZW621854	Washer (SUP) D6.1x10x0.1t		1
6-4	MZ625770	Plunger Plate	MY-2019	1	6-24	ZS243516	Screw, pinch roller	XR-140	1
6-5	MH533913	Connecting Pin	TW-2010	1	6-25	MP625048	Pinch Roller H, LC	LC-321	1
6-6	ZW270088	'E' Ring 1.9M	6-1-9	2	QUICK SW. BLOCK				
6-7	ML627254	Plunger Lever B, w/pin	MY-2205	1	6-26	BS622631	Quick SW. Block Comp.	MY2,3	1
6-8	ZW550642	Washer (SPC) D3.1x8x0.5t		1	6-27	MZ630944	Micro SW. Table, w/prop	MY-2208	1
6-9	ML228881	Pinch Roller Arm	MY-1305	1	6-28	ES573478	Micro SW. K-3	25-1-31	1
6-10	MS228892	Pinch Roller Shaft	MY-1306	1	6-29	ZS483502	Screw, pan head 3x13		2
6-11	ZW273914	Spring Washer M4		2	6-30	MH528513	SW. Pin	ND-1055	1
6-12	ZW416698	Nut M4		3	6-31	MH527635	SW. Pipe	ND-1054	1
6-13	MZ625443	Pinch Roller Plate A	MY-1034	1	6-32	ZW273756	Nut M3, #1		1
6-14	ZW270134	'E' Ring 5M	6-1-9	1	6-33	ZG529211	SW. Spring	ND-1053	1
6-15	MZ625454	Pinch Roller Plate B	MY-1035	1	6-34	ZW259738	Washer (Polyslider)		1
6-16	ZW334653	'E' Ring 7M	6-1-9	1	6-35	ZW270101	'E' Ring 3M	6-1-9	1
6-17	ZG625465	Pinch Roller Spring	MY-1036	1	6-36	MZ529391	Quick Plate	ND-1063	1
6-18	MS625184	Pinch Roller Arm Shaft	MY-1006	1	6-37	ZW622001	Washer (SPC) D3.1x13x0.5t		1
6-19	MS228903	Pinch Arm Shaft	MY-1304	1	6-38	ZW438928	Washer (PBP) D3.1x4.8x0.2t		1
6-20	MZ582030	Spring Hanger	TD-1018	1	6-39	ZW270088	'E' Ring 1.9M	6-1-9	1

When ordering parts, Please describe Parts Number, Serial Number, and Model Number in detail.

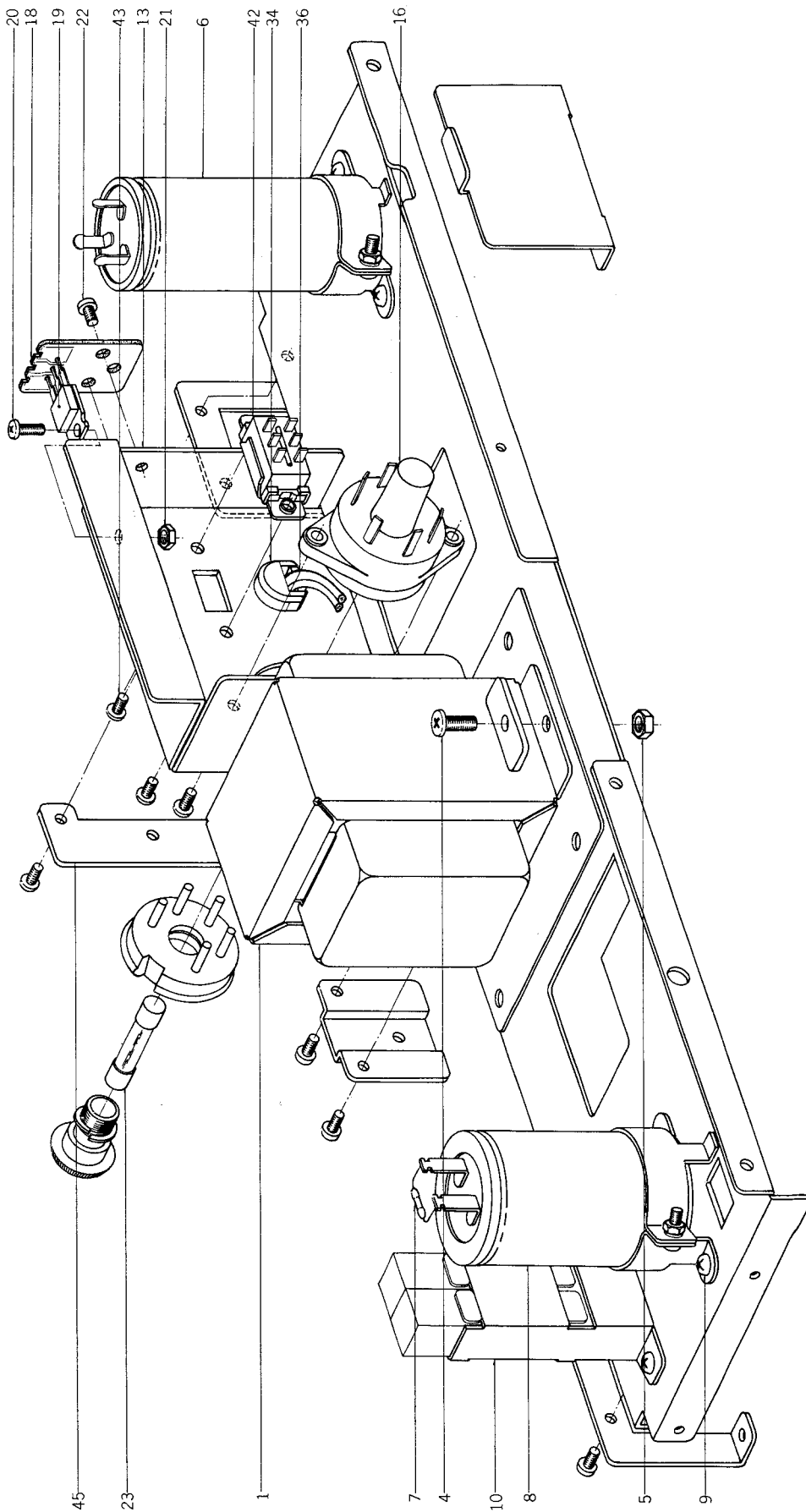
7. ILLUSTRATION OF OPERATION BLOCK



7) OPERATION BLOCK

Ref. No.	Parts No.	Description	Schematic No.	Q'ty
7-1	MZ630876	Lever Bracket	MY-2201	1
7-2	ML630887	Operation Lever	MY-2202	6
7-3	ZG456120	Setting Lever Spring (Old)	CS-1187	6
7-4	ZS325495	Tapping Screw #2 3x6 (BR)		8
7-5	MZ302400	Remote Control Socket Mt. Plate	RX-515	1
7-6	EJ222748	Socket, sub magnale #311SG	31-1-39	1
7-7	ZS201150	Screw, truss head 3x6 (Black)		2
7-8	SB643500	Button A (Red) (Old)	TE-2017	1
7-9	SB643577	Button B (Yellow) (Old)	TE-2017	2
7-10	SB640732	Button C (Green) (Old)	TE-2017	2
7-11	SB640743	Button D (Black) (Old)	TE-2017	1

8. ILLUSTRATION OF POWER SUPPLY BLOCK

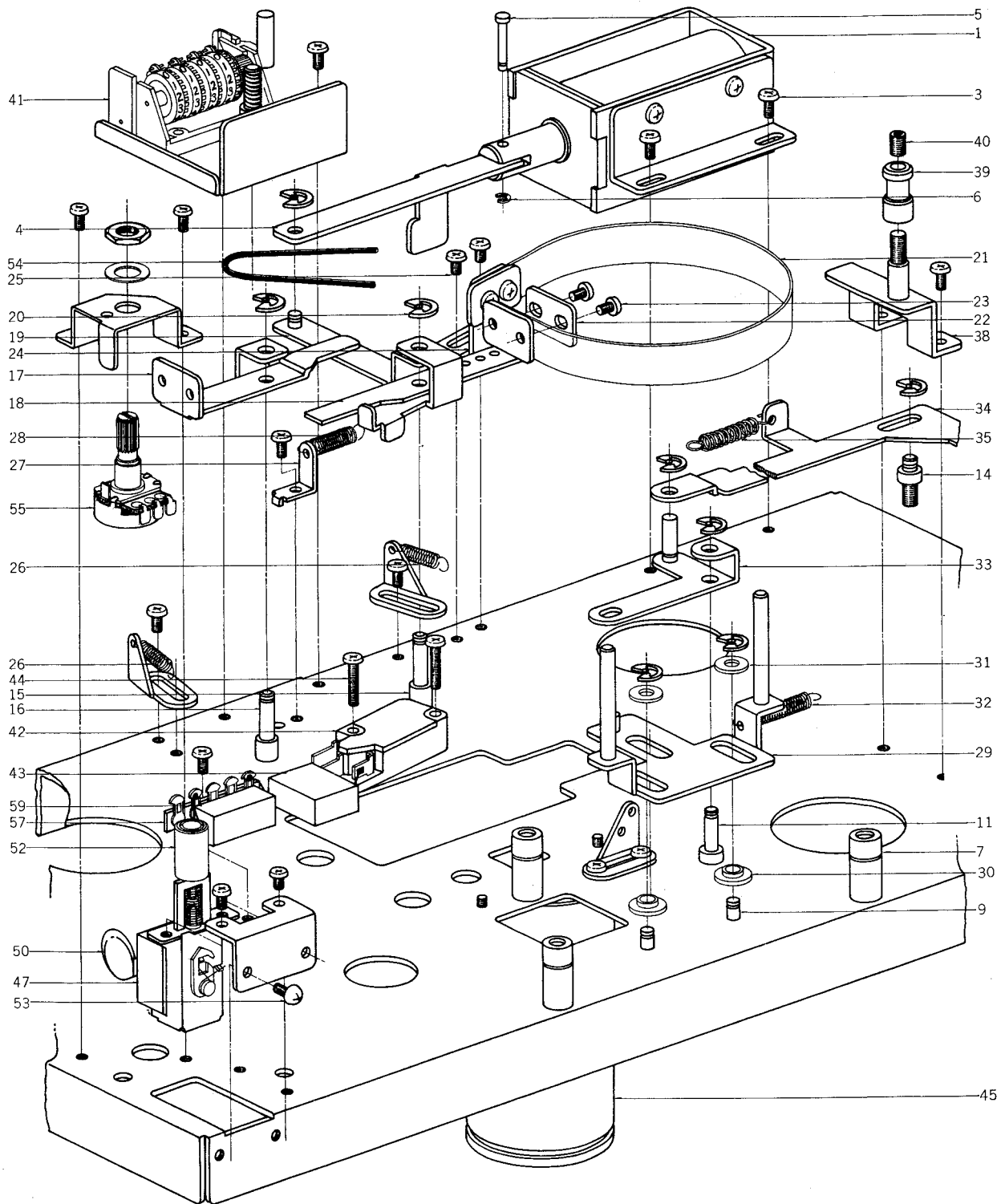


When ordering parts, Please describe Parts Number, Serial Number, and Model Number in detail.

8) POWER SUPPLY BLOCK

Ref. No.	Parts No.	Description	Schematic No.	Q'ty	Ref. No.	Parts No.	Description	Schematic No.	Q'ty
8-1	BT621922	Power Trans. MYT-1	38-4-314	1	8-55x	ZS462925	Tapping Screw #2 4x8 (BR)		
8-2x	BT621990	Power Trans. MYT-12 (CEE)	38-4-317	1			(CEE, CSA, JPN)		4
8-3x	BT621988	Power Trans. MYT-11 (CSA, JPN)	38-4-316	1	8-56x	ZW273881	Earth Lug M4 (CEE)		1
8-4	ZS424056	Screw, pan head 4x10		2	8-57x	ZW273892	Toothed Lock Washer M4 (CEE)		1
8-5	ZW413188	Nut M4, #1		2	8-58x	ZS413201	Screw, pan head 4x8 (CEE)		1
8-6	EC364858	Elect./C. 330μF 160WV (Lug Type)	24-10-56	1	8-59x	ZW416698	Nut M4 (CEE)		1
8-7	ER365016	Carbon/R. RD1/4 220k (J)	35-9-5	1	8-60x	EZ684663	BEAB Fuse Holder MY (CEE)	40-2-10	1
8-8	EC593763	MP/C. 3.5+1.5μF 150WV AC (Lug Type Uni/D)	24-9-88	1	8-61x	MT553948	Wire Band B-100 (CEE)	2-35-3	1
8-9	ZS325495	Tapping Screw #2 3x6 (BR)		13	8-62x	ER593370	Cement/R. 5W 200 ohms (K) (Wire-wound Type) (CSA)	35-16-3	1
8-10	ER575640	Cement/R. H(20+20)B(43+220+180)K	35-16-54	1					
8-11x	EZ624047	Cord Retainer	2-7-48	4					
8-12x	EZ621900	Cord Holder 4772 (CSA, CEE, JPN)	2-7-47	1					
8-13	MZ626861	VS Table A	MY-2030	1					
8-14x	MZ625858	VS Table B (CEE, CSA)	MY-2030	1					
8-15x	MZ647133	VS Table C (JPN)	MY-2030	1					
8-16	EJ233370	Socket (Volt. Selector) S-18010	40-2-3	1					
8-17x	ZS201150	Screw, truss head 3x6 (Black)		2					
8-18	EA628075	Transistor P.C Board	MY-2054	1					
8-19	ET621786	Transistor TIP-48	45-1-197	1					
8-20	ZS421806	Screw, pan head 3x8		1					
8-21	ZW273756	Nut M3, #1		1					
8-22	ZS422076	Screw, pan head 3x5		2					
8-23	EF563703	Fuse 2A 250V	39-1-50	1					
8-24x	EF602550	Fuse (SEMKO T Type) 1.25AT 250V (CEE)	39-1-53	1					
8-25x	EF601942	Fuse (SEMKO T Type) 630MAT (CEE)	39-1-53	5					
8-26x	EF623103	Fuse (SEMKO T Type) 1 AT (CEE)	39-1-53	1					
8-27x	EF511637	Fuse ULMF61M 250V 1A (CSA)	39-1-45	4					
8-28x	EF511604	Fuse ULMF61M 250V 0.4A (CSA)	39-1-45	1					
8-29x	EF563681	Fuse 1A 250V (JPN)	39-1-50	4					
8-30x	EF563703	Fuse 2A 250V (JPN)	39-1-50	2					
8-31x	EF624543	Fuse ULMF61M 250V 2A (CSA)	39-1-45	2					
8-32x	EZ614586	Fuse Table MY (CEE, CSA, JPN)	MY-2043	2					
8-33x	ZS455207	Tapping Screw #2 3x5 (BR) (CEE, CSA, JPN)		4					
8-34	EZ631945	Strain Relief SR-4N-4	2-7-49	1					
8-35x	EZ246936	Strain Relief SR-6W-1 (CEE)	2-7-8	1					
8-36	EW374894	AC Cord CUL 3M	26-3-19	1					
8-37x	EW207742	AC Cord CUL (CSA)	26-3-45	1					
8-38x	EW524845	AC Cord 2.5M (JPN)	26-3-31	1					
8-39x	EW516600	AC Cord (CEE) VM-0065	26-3-28	1					
8-40x	EJ205986	Cramp Terminal 2-SD	32-1-8	2					
8-41x	EJ208001	10P Multi Jack	31-4-25	1					
8-42	ES479485	Slide SW. S-1	25-3-66	1					
8-43	ZS383951	Screw, truss head 3x5		2					
8-44x	SM647245	Cycle Name Plate	MY-2058	1					
8-45	MZ675652	Plate Holder	MY-2227	1					
8-46x	ZS447840	Tapping Screw #2 3x8 (BR)		1					
8-47x	EA624554	Fuse P.C Board MY-2 (A) (CEE)	33-2-48	1					
8-48x	EA624546	Fuse P.C Board MY-2 (B) (CEE)	33-2-49	1					
8-49x	EA624521	Fuse P.C Board MY-1 (A) (CSA, JPN)	33-2-46	1					
8-50x	EA204164	Fuse P.C Board 4P (CSA)	33-2-55	1					
8-51x	EA624532	Fuse P.C Board MY-1 (B) (JPN)	33-2-47	1					
8-52x	EA614632	Fuse P.C Board MY-2 (CEE)	MY-2046	1					
8-53x	EA615093	Fuse P.C Board MY-1 (CSA, JPN)	MY-2045	1					
8-54x	EA614621	Fuse P.C Board EG (CSA)	EG-5075	1					

9. ILLUSTRATION OF MECHA ASSEMBLY BLOCK



When ordering parts, Please describe Parts Number, Serial Number, and Model Number in detail.

9) MECHA ASSEMBLY BLOCK

Ref. No.	Parts No.	Description	Schematic No.	Q'ty
BRAKE PLUNGER BLOCK				
9-1	EP650081	Plunger Solenoid SDC-1064	44-1-75	1
9-2x	ED224550	Silicon Diode 10D4	45-2-16	1
9-3	ZS422076	Screw, pan head 3x5		2
9-4	MZ630922	Plunger Joint	MY-2206	1
9-5	MH257477	Connecting Pin	RD-211	1
9-6	ZW270088	'E' Ring 1.9M	6-1-9	1
MECHA ASSEMBLY BLOCK				
9-7	MH625140	Head Base Prop	MY-1002	3
9-8x	ZS413201	Screw, pan head 4x8		3
9-9	MH581927	Shifter Guide Post	TD-1006	3
9-10x	ZW273756	Nut M3, #1		3
9-11	MZ625151	Shifter Lever Post	MY-1003	1
9-12x	ZW416698	Nut M4		4
9-13x	EJ514607	Wire Clip 220-JD485210-01 (Nylon)	2-7-18	2
9-14	MZ627210	Joint Lever Post	MY-1203	1
9-15	MH625195	Brake Lever Prop	MY-1007	1
9-16	MH317373	Brake Lever Prop	MR-102	1
9-17	ML396810	Brake Lever B	KD-1038	1
9-18	ML314976	Brake Lever A	MR-210	1
9-19	ML627232	Brake Lever D, w/pin	MY-1205	1
9-20	ZW290283	'U' Ring 2.85M	6-1-1	9
9-21	MT314987	Brake Band	MR-213	2
9-22	MZ314998	Brake Band Retaining Plate	MR-212	4
9-23	ZS422076	Screw, pan head 3x5		30
9-24	MZ315000	Brake Band Support	MR-214	2
9-25	ZS417216	Screw, pan head 3x4		4
9-26	ZG315011	Brake Lever Spring	MR-116	2
9-27	MZ582030	Spring Hanger	TD-1018	1
9-28	ZG371114	Reset Lever Spring	ED-219	1
9-29	MZ625342	Shifter Plate, w/pin	MY-1024	1
9-30	ZW580173	Guide Washer	TD-1055	3
9-31	ZW420682	Washer (Nylon) D4.2x9x0.5t		3
9-32	ZG535105	Tension Arm Spring	TW-2078	1
9-33	ML627197	Shifter Lever B, w/pin	MY-1201	1
9-34	ML627221	Joint Lever	MY-1204	1
9-35	ZG625375	Play Spring	MY-1027	1
9-36x	ZS325495	Tapping Screw #2 3x6 (BR)		4
9-37x	ZW260010	Washer (PBP) D6.1x10x0.1t		1
9-38	MZ625511	Reverse Guide Table	MY-1041	1
9-39	HZ315090	Reverse Guide	RD-225	1
9-40	ZS344463	Set Screw, hexagon socket 4x6 (CUP/P.)		1
9-41	MC621887	Counter MP-490-21	9-1-38	1
9-42	ES573456	Micro SW. K-2	25-1-30	1
9-43	ER376435	Spark Quencher U/L 0.1μ+120 ohms 250WV	41-1-35	1
9-44	ZS422965	Screw, pan head 3x15		2
9-45	EC641136	MP/C. 4+4μF 250WV AC (Lug Type Uni/D.)	24-9-103	1
9-46x	EC536927	MP/C. 3μF x 2 250WV AC (Lug Type Uni/D.)	24-9-79	1
9-47	ES479395	Push SW. TV-3 JH5	25-5-62	1
9-48x	ES499972	Push SW. JS-09 (CEE)	25-5-67	1
9-49x	EA626411	Power SW. P.C Board (CEE, CSA, JPN)	MY-1054	1
9-50	EC551160	Ceramic/C. NB821YZ 0.01μF (Z) 1.4 kWV	24-5-55	2
9-51x	EC565896	Ceramic/C. DP6600YM 0.01μF (P) 1.4 kWV (CSA, JPN)	24-5-58	1
9-52	SK631304	Push Button Knob I	91-5051	1
9-53	ZS417216	Screw, pan head 3x4		2
9-54	MB625566	Counter Belt	MY-1046	1
9-55	EV661937	Vol. V16L4N 1 k (B) (w/center click)	36-6-17	1
9-56x	EJ205986	Cramp Terminal 2-SD	32-1-8	15
9-57	EJ255115	Lug Plate VB2L2	33-4-3	1
9-58x	EJ255093	Lug Plate VB1L1 (CSA)	33-4-1	1
9-59	ER554556	Cement/R. 5W 39 ohms (K) (Wire-wound Type)	35-16-3	1
9-60x	ZW562476	Earth Lug M3		1
9-61x	EZ621900	Cord Holder 4772	2-7-47	1

10. P.C BOARDS

(1) SERVO P.C BOARD (TE-2301) BLOCK

Symbol No.	Parts No.	Description	Q'ty
(1)-1	BA660688	Servo P.C Board Comp. (TE-2301)	1
(1)-TR1to4	ET639437	Transistor 2SC945L (Q) (P)	4
(1)-TR5	ET538154	Transistor 2SA564 (Q) (R)	1
(1)-TR6	ET399846	Transistor 2SC945L (Q)	1
(1)-TR7	ET623867	Transistor 2SD361 (D1) (D2)	1
(1)-TR8	ET399881	Transistor 2SC711 (F)	1
(1)-TR9	ET623867	Transistor 2SD361 (D1) (D2)	1
(1)-TR10	ET639437	Transistor 2SC945L (Q) (P)	1
(1)-D1	ED557447	Silicon Diode 1S1588	1
(1)-D2	ED357794	Zener Diode RD-5A (M)	1
(1)-D3	ED560913	Silicon Diode 1S2473VE	1
(1)-D5to8	ED224548	Silicon Diode 10D2	4
(1)-D10	ED560913	Silicon Diode 1S2473VE	1
(1)-TH1	ED593357	Thermister 34D21	1
(1)-VR1	EV621955	Semi-fixed/Vol. V10K8-1-5 10 kB	1
(1)-VR2	EV621966	Semi-fixed/Vol. V10K8-1-5 30 kB	1
(1)-VR4	EV497711	Semi-fixed/Vol. V10K8-1-5 500 ohmsB (4US)	1
(1)-2	EZ615047	Heat-sink Plate A	1
(1)-3	ZS421806	Screw, pan head 3x8	1
(1)-4	ZW273756	Nut M3, #1	1
(1)-5	ZS422076	Screw, pan head 3x5	6
(1)-6	EZ615060	P.C Board Holder B	1
(1)-7	EZ615071	P.C Board Holder C	1
(1)-8	EJ350447	Test Terminal	2
(1)-C7	EC557166	Solid Aluminum/C. 3.3μF 25WV (Vert. Type)	1
(1)-R18	ER622045	Cement/R. 2W 330 ohms (K) (Metal Ox. Film/T)	1

(2) SYS. CON P.C BOARD (MY-2221) BLOCK

Symbol No.	Parts No.	Description	Q'ty
(2)-1	BA695125	Sys. Con P.C Board Comp. (MY-2221)	1
(2)-TR1to7	ET398711	Transistor 2SC945L (Q) (R)	7
(2)-TR8	ET208012	Transistor 2SD571 (K)	1
(2)-TR9	ET398711	Transistor 2SC945L (Q) (R)	1
(2)-TR10	ET520266	Transistor 2SC1211 (E)	1
(2)-TR11,12	ET398711	Transistor 2SC945L (Q) (R)	2
(2)-D1	ED624903	Silicon Diode 1S2473	1
(2)-D2to7	ED560913	Silicon Diode 1S2473VE	6
(2)-D8	ED624903	Silicon Diode 1S2473	1
(2)-D9to14	ED560913	Silicon Diode 1S2473VE	6
(2)-D15to33	ED624903	Silicon Diode 1S2473	19
(2)-D34to36	ED560913	Silicon Diode 1S2473VE	3
(2)-2	ZS609298	Screw, flat fillister head 3x6	6
(2)-3	ZW273756	Nut M3, #1	6
(2)-4	ZW273802	Toothed Lock Washer M3	6

(3) POWER SUPPLY P.C BOARD (MY-2222) BLOCK

Symbol No.	Parts No.	Description	Q'ty
(3)-1	BA210082	Power Supply P.C Board Comp. (MY-2222)	1
(3)-TR1	ET511920	Transistor 2SC1247A (B) (V)	1
(3)-TR2	ET398711	Transistor 2SC945L (Q) (R)	1
(3)-TR3	ET393568	Transistor 2SD234 (Y) (O)	1
(3)-D1to4	ED494583	Silicon Diode 10D05	4
(3)-D5	ED357794	Zener Diode RD-5A (M)	1
(3)-D6to8	ED624903	Silicon Diode 1S2473	3
(3)-D9to13	ED224550	Silicon Diode 10D4	5
(3)-RL1,2	EP638763	Relay MY4-02-US DC24V	2
(3)-RL3	EP616500	Relay LC1-C-JT DC24V	1
(3)-CR1to7	ER376435	Spark Quencher U/L 0.1μ+120 ohms 250WV	7
(3)-VR1	EV554670	Semi-fixed/Vol. V10K8-1-5 1 kB	1
(3)-2	EZ626849	Heat-sink Plate B	1
(3)-3	ZS421806	Screw, pan head 3x8	1
(3)-4	ZW273756	Nut M3, #1	1
(3)-5	ZS422076	Screw, pan head 3x5	3
(3)-6	EZ615058	P.C Board Holder A	1
(3)-7	ZS558101	Screw, pan head 3x6 w/washer	1
(3)-8	EZ209215	Insulator Bush	1
(3)-9	EZ650913	Mylar Film	1
(3)-C5,6	EC419466	MP/C. 0.47μF(K) 50WV (Tub. Type)	2
(3)-R6	ER563253	Cement/R. 3W 2.2 ohms (K) (Wire-wound Type)	1

(4) PB P.C BOARD (MY-5323) BLOCK

Symbol No.	Parts No.	Description	Q'ty
(4)-1	BA210284	PB P.C Board Comp. (MY-5323)	1
(4)-IC1	EI669666	IC μPC1023H	4
(4)-TR1to3	ET391768	Transistor 2SC458LG (C) (D)	12
(4)-TR4	ET398711	Transistor 2SC945L (Q) (R)	4
(4)-D1	ED219464	Germanium Diode 1N34A	4
(4)-VR1	EV523620	Semi-fixed/Vol. V8K4-1 500 ohms(B)	4
(4)-VR2	EV464220	Semi-fixed/Vol. V8K4-1 50 kB	4
(4)-T1	BT490702	Headphone Trans. N19-349S	4
(4)-F1	ER207696	Low Pass Filter	4
(4)-C4	EC676721	Styrol/C. 470PF(K) 50WV (Vert. Type)	4
(4)-C10	EC208350	Styrol/C. 100PF(K) 50WV (Vert. Type)	4
(4)-C11	EC536207	Tantalum/C. 1μF(K) 35WV (DTS Type)	4
(4)-C13	EC572771	Tantalum/C. 0.15μF(K) 35WV (DTS Type)	4
(4)-C17	EC676721	Styrol/C. 470PF(K) 50WV (Vert. Type)	4
(4)-VR3	EV478686	Semi-fixed/Vol. V8K4-1 1 kB	4

When ordering parts, Please describe Parts Number, Serial Number, and Model Number in detail.

(5) REC. OSC P.C BOARD (MY-5322) BLOCK

Symbol No.	Parts No.	Description	Q'ty
(5)-1	BA210328	Rec., Osc P.C Board Comp. (MY-5322)	1
(5)-IC1,2	EI669666	IC μ PC1023H	8
(5)-TR1	ET398711	Transistor 2SC945L (Q) (R)	4
(5)-TR2,3	ETS20288	Transistor 2SC1247A (V)	2
(5)-TR4	ET666404	Transistor 2SC571 (K) (L)	1
(5)-D1to3	ED560913	Silicon Diode 1S2473VE	3
(5)-VR1	EV207753	Double/Vol. DJ60R512 50kAx2	4
(5)-VR2	EV499364	Semi-fixed/Vol. V10K8-4-2 5 k Ω	4
(5)-T1	EO383365	Osc. Coil OT-204	1
(5)-RL1,2	EP621808	Relay MTS-2	2
(5)-L1	EO424866	Ferri Inductor FL7H 1.2MH (J)	4
(5)-L2to5	EO243977	Ferri Inductor FL7H 1MH (J)	4
(5)-R34	ER427972	Metal Oxide Film/R. 2W 68 ohms(K)	1
Capacitor			
(5)-C3	EC676721	Styrol 470PF(K) 50WV (Vert. Type)	4
(5)-C9	EC572771	Tantalum 0.15 μ F(K) 35WV (DTS Type)	4
(5)-C10	EC676721	Styrol 470PF(K) 50WV (Vert. Type)	4
(5)-C11	EC663704	Styrol 390PF(J) 50WV (Vert. Type)	4
(5)-C15	EC496890	Tantalum 0.22 μ F(K) 35WV (DTS Type)	4
(5)-C24	EC207898	Trimmer TM-110 100PF	1
(5)-C26	EC207898	Trimmer TM-110 100PF	1
(5)-C28	EC207898	Trimmer TM-110 100PF	1
(5)-C30	EC207898	Trimmer TM-110 100PF	1
(5)-C31	EC461057	Plastic Film/C. 2400PF(J) 500WV	1

(6) DUMMY P.C BOARD (MY-5321) BLOCK

Symbol No.	Parts No.	Description	Q'ty
(6)-1	BA210238	Dummy P.C Board Comp. (MY-5321)	1
(6)-L1to4	EO208372	Ferri Inductor FL9H 240 μ H(J)	4
(6)-C1,2	EC207707	Styrol/C. 820PF(J) 250WV (Tub. Type)	2
(6)-2	MZ698736	P.C Board Table	1
(6)-3	ZS516205	Tapping Screw #2 3x8 (BR) w/washer	2
(6)-4	ZW273802	Toothed Lock Washer M3	2

(7) QUADRA P.C BOARD (MY-5329) BLOCK

Symbol No.	Parts No.	Description	Q'ty
(7)-1	BA210216	Quadra P.C Board Comp. (MY-5329)	1
(7)-L1	EO575482	Ferri Inductor FL7H 150 μ H(J)	4
(7)-SW1	ES207718	Push SW. 5FT-0001FF5020	1
(7)-2	EA204851	Quadra P.C Board A (MY-5328)	1
(7)-3	EA200373	Quadra P.C Board C	2
(7)-C1	EC208350	Styrol/C. 100PF(K) 50WV (Vert. Type)	4

(8) EQ. P.C BOARD (MY-5325) BLOCK

Symbol No.	Parts No.	Description	Q'ty
(8)-1	BA210227	EQ. P.C Board Comp. (MY-5325)	1
(8)-L1to4	EO243977	Ferri Inductor FL7H 1MH(J)	4
(8)-2	EA204816	EQ. P.C Board A	1
(8)-SW1	ES207720	Push SW. 4FT-0001FF5020	1

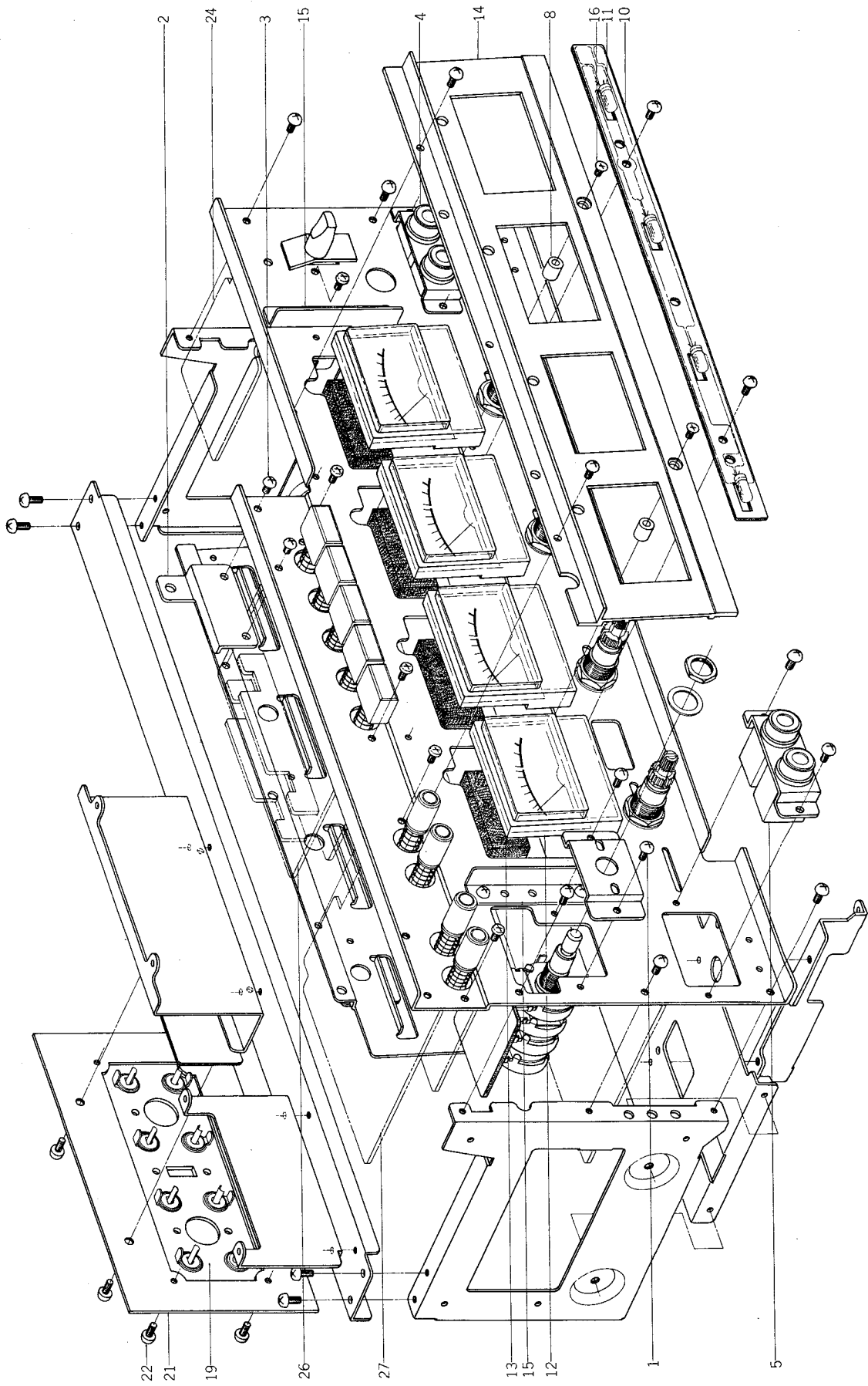
(9) VOL. P.C BOARD (TE-5305) BLOCK

Symbol No.	Parts No.	Description	Q'ty
(9)-1	BA210172	Vol. P.C Board Comp. (TE-5305)	1
(9)-VR1	EV424743	2-axial 4-throw/Vol. KJ-60R 50 kAx4	1

(10) MONITOR SW. P.C BOARD (MY-5327) BLOCK

Symbol No.	Parts No.	Description	Q'ty
(10)-1	BA210183	Monitor SW. P.C Board Comp. (MY-5327)	1
(10)-TR1	ET603257	Transistor 2SC1312S(G) (H)	4
(10)-D1,2	ED560913	Silicon Diode 1S2473VE	2
(10)-RL1	EP621808	Relay MTS-2	1
(10)-SW1	ES207685	Lever SW. SLA34215	1

11. ILLUSTRATION OF AMP ASSEMBLY BLOCK

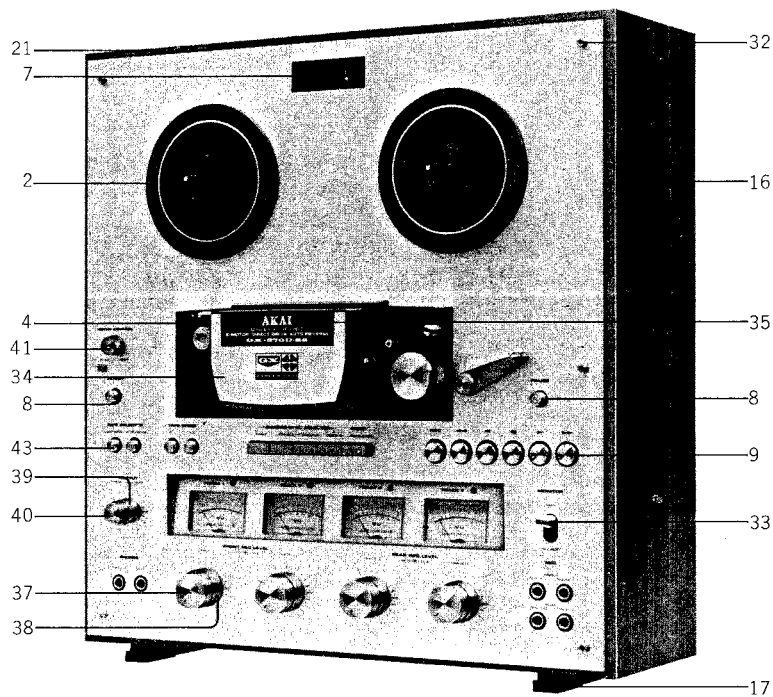


When ordering parts, Please describe Parts Number, Serial Number, and Model Number in detail.

11) AMP ASSEMBLY BLOCK

Ref. No.	Parts No.	Description	Schematic No.	Q'ty
CENTER FRAME BLOCK				
11-1	ZS325495	Tapping Screw #2 3x6 (BR)		48
FRONT CHASSIS BLOCK				
11-2	MZ203646	Amp Chassis Holder	MY-5308	1
11-3	ZS422076	Screw, pan head 3x5		2
11-4	EJ207810	2-throw Mic Jack	31-2-74	2
11-5	EJ207821	2-throw Headphone Jack	31-2-75	1
11-6	MZ203668	Panel Holder	MY-5312	2
11-7x	EA204838	Rec Lamp P.C Board	MY-5326	1
11-8x	ED522887	LED SR-103D	45-15-2	4
11-9x	ER392534	Carbon/R. RD1/4 2k (J)	35-9-5	4
11-10	EA204772	Lamp P.C Board	MY-5320	1
11-11	EL621167	Lamp (L/T) 5.5V 60mA	28-2-36	4
11-12	EM558180	VU Meter KL-243S-21	46-1-74	4
11-13	SZ650935	VU Mat	CG-5820	4
11-14	SP204107	Meter Panel	MY-5314	1
11-15	SP203681	Side Panel	MY-5316	2
11-16	ZS327835	Screw, countersunk head 3x5		2
11-17x	ZW273802	Toothed Lock Washer M3		1
11-18x	EZ638965	Cord Support	2-7-50	5
JACK PLATE BLOCK				
11-19	BJ653703	Jack Plate SS	31-5-126	1
11-20x	SM653714	Jack Name Plate	TE-5311	1
11-21	EZ203692	Jack Plate Base	MY-5317	1
11-22	ZS447761	Tapping Screw #2 3x6 (BR) (Black)		4
11-23x	EZ624047	Cord Retainer	2-7-48	2
AMP ASSEMBLY BLOCK				
11-24	BA210183	Monitor SW. P.C Board Comp.	MY-5327	1
11-25x	ZS422076	Screw, pan head 3x5		2
11-26	BA210216	Quadra P.C Board Comp.	MY-5329	1
11-27	BA210227	EQ. P.C Board Comp.	MY-5325	1
11-28x	ZS422076	Screw, pan head 3x5		2

12. PHOTO OF FINAL ASSEMBLY BLOCK



12) FINAL ASSEMBLY BLOCK

Ref. No.	Parts No.	Description	Schematic No.	Q'ty	Ref. No.	Parts No.	Description	Schematic No.	Q'ty
FRONT PANEL BLOCK									
12-1x	BD682244	Front Panel Block Comp.	MY-3	1	12-23x	ZS200698	Tapping Screw #2 3x8 (Round)		2
12-2	SE626940	Reel Table Escutcheon	MY-6004	2	ASSEMBLY BLOCK				
12-3x	ZW575730	Speed Nut (P Type) 3	6-3-6	14	12-24x	ZS325495	Tapping Screw #2 3x6 (BR)		28
12-4	SC627107	Head Cover Base	MY-6005	1	12-25x	ML203635	Panel Angle	MY-5307	2
12-5x	MH615161	Head Cover Prop	MY-6008	2	12-26x	ZS417216	Screw, pan head 3x4		1
12-6x	ZW413188	Nut M4, #1			12-27	SA428714	LM Rubber Foot, w/screw	LM-404	4
12-7	SE626951	Counter Escutcheon	MY-6006	1	12-28x	ZS324281	Screw, pan head 4x25		4
12-8	SE613888	Button Escutcheon A	CW-6021	6	12-29x	ZW419646	Washer (SPC) D4.5x9.8x0.5t		4
12-9	SE613886	Button Escutcheon C	CW-6016	6	12-30x	ZS665550	Screw, pan head 4x15, w/washer		3
*12-10	SF287010	Button Escutcheon	MY-6312	1	12-31x	ZS664345	Screw, pan head 4x30, w/washer		2
*12-11	SB286920	Operate Button (A) (Red)	MY-6313	1	12-32	ZS613901	Panel Screw	CW-6031	6
*12-12	SB286931	Operate Button (B) (Yellow)	MY-6313	2	12-33	SK638976	Knob 1-C	CP-5018	1
*12-13	SB286942	Operate Button (C) (Green)	MY-6313	2	12-34	SC627118	Head Cover	MY-6011	1
*12-14	SB286953	Operate Button (D) (Black)	MY-6313	1	12-35	SM204096	Head Cover Name Plate	MY-6302	1
*12-15	ZG287008	Spring, Button Return	MY-6315	6	12-36x	SZ639562	Head Cover Retainer B	ND-6018	2
CASE BLOCK					12-37	SK640912	Double Knob (Upper)	TE-6011	4
12-16	BC204153	Case	MY-6305	1	12-38	SK640923	Double Knob (Lower)	TE-6012	4
12-17	SZ632070	Square Foot	MY-6026	2	12-39	SK653760	Double Knob (Lower)	TE-6307	1
12-18x	ZS424980	Tapping Screw #2 4x12 (Truss)		4	12-40	SK653758	Double Knob (Upper)	TE-6306	1
12-19x	SE627120	Ventilator (Large)	MY-6014	1	12-41	SK647548	Single Knob (Small)	CJ-6031	1
12-20x	ZS392141	Tapping Screw #1 3x8 (Truss)		2	12-42x	EF563681	Fuse 1A 250V	39-1-50	1
12-21	SZ480712	Dust Cover Pin	LE-6024	2	12-43	SK634410	Push Button Knob J	91-5051	4
12-22x	SE674673	Ventilator B (Small)	TE-6025	1	12-44x	ZS447840	Tapping Screw #2 3x8 (BR) (CSA)		1

* NOTE: Ref. No. 12-10 to 12-15 are utilized from Serial No. 20107-0001.

When ordering parts, Please describe Parts Number, Serial Number, and Model Number in detail.

13. LIST OF INTERCHANGEABLE SEMICONDUCTORS

As far as service in concerned, in case the original parts cannot be obtained, the interchangeable parts listed below can be substituted.

Original Parts			Interchangeable Parts	
Description	Parts No.	Utilizing P.C Board	Description	Parts No.
2SA564 (Q) (R)	ET538154	TE-2301	2SA733 (Q) (R)	ET557965
2SC458LG (C) (D)	ET234854	MY-5323	2SC693U (F) 2SC1312 (G) (H)	ET539133 ET517623
2SC711 (F)	ET399881	TE-2301	2SC945L (Q) (R) 2SC1647 (R) (S) (E)	ET398711 ET623733
2SC945L (Q) (R)	ET398711	MY-2221 MY-2222	2SC536 (F) (G) (H) 2SC1647 (S) (E)	ET632215 ET542424
2SC945L (P) (Q)	ET639437	MY-5322 MY-5323, TE-2301	2SC536 (F) (G) (H) 2SC1647 (S) (E)	ET632215 ET592424
2SC1211 (E)	ET520266	MY-2221	2SC1175 (E) (F) 2SC1247A (B) (V)	ET622080 ET511290
2SC1247A (B) (V)	ET511920	MY-2222, MY5322	2SC1211 (Q) (R)	ET511694
2SC1312S (G) (H)	ET603257	MY-5323	2SC458LG (C) 2SC693U (F)	ET234854 ET539133
2SD234 (O) (Y)	ET393568	MY-2222	2SD313 (D) (E) (F)	ET522911
2SD361 (D1) (D2)	ET623876	TE-2301	2SD361 (D) (E) 2SC1061 (B) (C)	ET537000 ET375603
2SD571 (K) (L)	ET666404	MY-2221, MY-5322	2SC1384 (Q) (R)	ET565852
T1P48	ET621786	MY-5054	T1P47	ET621775
μPC1023H	EI669666	MY-5322, MY-5323	TA7122P	EI669712
1N34A	ED219464	MY-5323	1S188AM 1N60	ED562386 ED428264
1S1588	ED557447	TE-2301	1S2473 WG599	ED624903 ED514721
1S2473	ED624903	MY-2221	1S1588	ED557447
1S2473VE	ED560913	MY-2221 MY-5322 MY-5327, TE-2301	WG599 WG713 1S1588	ED514721 ED515790 ED557447
10D05	ED494583	MY-2222	1N4001	ED538615
10D2	ED224548	TE-2301	1N4003	ED570295
10D4	ED224550	MY-2222	1N4004	ED570273
TD5A (M)	ED357794	MY-2222 TE-2301	RD5A	ED229094

INDEX

Parts No.	Ref. No. & Symbol No.	Parts No.	Ref. No. & Symbol No.	Parts No.	Ref. No. & Symbol No.	Parts No.	Ref. No. & Symbol No.	Parts No.	Ref. No. & Symbol No.
BA210082	(3)-1	ED560913	(1)-D3	ET399846	(1)-TR6	ML580465	5-34	SE626940	12-2
BA210172	(9)-1	ED560913	(1)-D10	ET399881	(1)-TR8	ML627197	9-33	SE626951	12-7
BA210183	(10)-1	ED560913	(2)-D2to7	ET511920	(3)-TR1	ML627221	9-34	SE627120	12-19x
BA210183	11-24	ED560913	(2)-D9to14	ET520266	(2)-TR10	ML627232	9-19	SE674673	12-22x
BA210216	(7)-1	ED560913	(2)-D34to36	ET520288	(5)-TR2,3	ML627254	6-7	SF287010	12-10
BA210216	11-26	ED560913	(5)-D1to3	ET538154	(1)-TR5	ML630887	7-2	SK631282	5-21
BA210227	(8)-1	ED560913	(10)-D1,2	ET603257	(10)-TR1	ML630955	5-3	SK631304	9-52
BA210227	11-27	ED593357	(1)-TH1	ET621786	8-19	ML630966	5-4	SK631326	6-22
BA210238	(6)-1	ED624903	(2)-D1	ET623867	(1)-TR7	ML630977	5-12	SK634410	12-43
BA210284	(4)-1	ED624903	(2)-D8	ET623867	(1)-TR9	ML630990	5-10	SK638976	12-33
BA210328	(5)-1	ED624903	(2)-D15to33	ET639437	(1)-TR1to4	MP625048	6-25	SK640912	12-37
BA660688	(1)-1	ED624903	(3)-D6to8	ET639437	(1)-TR10	MR284433	4-21	SK640923	12-38
BA695125	(2)-1	EF511604	8-28x	ET666404	(5)-TR4	MR317507	2-17	SK647548	12-41
BC204153	12-16	EF511637	8-27x	EV207753	(5)-VR1	MS228892	6-10	SK653758	12-40
BD682244	12-1x	EF563681	8-29x	EV424743	(9)-VR1	MS228903	6-19	SK653760	12-39
BH210137	1-1x	EF563681	12-42x	EV464220	(4)-VR2	MS342000	2-6	SM204096	12-35
BI657112	4-1x	EF563703	8-23	EV478686	(4)-VR3	MS597148	4-8	SM647245	8-44x
BJ653703	11-19	EF563703	8-30x	EV497711	(1)-VR4	MS615014	5-24	SM653714	11-20x
BM314741	2-1	EF601942	8-25x	EV499364	(5)-VR2	MS625072	1-10	SP203681	11-15
BM600298	3-1	EF602550	8-24x	EV523620	(4)-VR1	MS625184	6-18	SP204107	11-14
BR398430	2-2x	EF623103	8-26x	EV554670	(3)-VR1	MS625825	5-23	SZ480712	12-21
BR398441	2-3x	EF624543	8-31x	EV621955	(1)-VR1	MT255420	2-5	SZ632070	12-17
BS622631	6-26	EI669666	(4)-IC1	EV621966	(1)-VR2	MT314987	9-21	SZ639562	12-36x
BT490702	(4)-T1	EI669666	(5)-IC1,2	EV661937	9-55	MT397225	2-10	SZ650935	11-13
BT621922	8-1	EJ205986	8-40x	EW207742	8-37x	MT436860	2-13	TC515575	5-6
BT621988	8-3x	EJ205986	9-56x	EW374894	8-36	MT488147	2-4	ZG255633	2-7
BT621990	8-2x	EJ207810	11-4	EW516600	8-39x	MT495606	2-11	ZG287008	12-15
BZ283432	4-22	EJ207821	11-5	EW524845	8-38x	MT495617	2-12x	ZG314706	5-18
BZ622618	5-22	EJ208001	1-30x	EZ203692	11-21	MT516565	2-8	ZG315011	9-26
BZ624813	5-1x	EJ208001	8-41x	EZ209215	(3)-8	MT553948	8-61x	ZG316833	5-19
EA200373	(7)-3	EJ222748	7-6	EZ246936	8-35x	MV368886	3-3	ZG317496	2-14
EA204164	8-50x	EJ233370	8-16	EZ606701	4-6	MV597082	4-2	ZG371114	5-20
EA204772	11-10	EJ255093	9-58x	EZ614586	8-32x	MZ203646	11-2	ZG371114	9-28
EA204816	(8)-2	EJ255115	9-57	EZ615047	(1)-2	MZ203668	11-6	ZG456120	7-3
EA204838	11-7x	EJ350447	(1)-8	EZ615058	(3)-6	MZ302400	7-5	ZG466312	1-6
EA204851	(7)-2	EJ514607	9-13x	EZ615060	(1)-6	MZ314998	9-22	ZG466312	1-20
EA614621	8-54x	EL621167	11-11	EZ615071	(1)-7	MZ315000	9-24	ZG529211	6-33
EA614632	8-52x	EM558180	11-12	EZ621900	8-12x	MZ529391	6-36	ZG535105	9-32
EA615093	8-53x	EO208372	(6)-L1to4	EZ621900	9-61x	MZ582030	6-20	ZG540584	1-27
EA624521	8-49x	EO243977	(5)-L2to5	EZ624047	8-11x	MZ582030	9-27	ZG580768	6-21
EA624532	8-51x	EO243977	(8)-L1to4	EZ624047	11-23x	MZ596823	4-26	ZG614970	5-30
EA624554	8-47x	EO383365	(5)-T1	EZ626894	(3)-2	MZ597137	4-7	ZG625375	9-35
EA624565	8-48x	EO424866	(5)-L1	EZ631945	8-34	MZ597150	4-11	ZG625465	6-17
EA626411	9-49x	EO575482	(7)-L1	EZ638965	11-18x	MZ597172	4-10	ZG632553	5-7
EA628075	8-18	EP573658	6-1	EZ650913	(3)-9	MZ597690	3-4	ZG646020	4-16
EC207707	(6)-C1,2	EP616500	(3)-RL3	EZ684663	8-60x	MZ606723	5-17	ZS200395	5-36
EC207898	(5)-C24	EP621808	(5)-RL1,2	HA208348	1-23	MZ625151	9-11	ZS200698	12-23x
EC207898	(5)-C26	EP621808	(10)-RL1	HA533608	1-28	MZ625342	9-29	ZS201150	4-17
EC207898	(5)-C28	EP638763	(3)-RL1,2	HA549944	1-26	MZ625443	6-13	ZS201150	7-7
EC207898	(5)-C30	EP650081	9-1	HE563220	1-25	MZ625454	6-15	ZS201150	8-17x
EC208350	(4)-C10	ER207696	(4)-F1	HP513281	1-17	MZ625511	9-38	ZS201475	1-18
EC208350	(7)-C1	ER365016	8-7	HR565672	1-21	MZ625770	6-4	ZS201778	1-29
EC364858	8-6	ER376435	(3)-CR1to7	HZ203580	1-22	MZ625858	8-14x	ZS243516	6-24
EC419466	(3)-C5,6	ER376435	9-43	HZ203591	1-24	MZ626861	8-13	ZS324281	12-28x
EC461057	(5)-C31	ER392534	11-9x	HZ203736	1-12	MZ627210	9-14	ZS325495	7-4
EC496890	(5)-C15	ER427972	(5)-R34	HZ203747	1-2	MZ627265	5-25	ZS325495	8-9
EC536207	(4)-C11	ER554556	9-59	HZ315090	9-39	MZ630876	7-1	ZS325495	9-36x
EC536927	9-46x	ER563253	(3)-R6	HZ532686	1-7	MZ630922	9-4	ZS325495	11-1
EC551160	9-50	ER575640	8-10	HZ532710	1-5	MZ630944	6-27	ZS325495	12-24x
EC557166	(1)-C7	ER593370	8-62x	HZ532765	1-13	MZ631001	5-2	ZS327835	11-16
EC565896	9-51x	ER622045	(1)-R18	HZ532776	1-14	MZ631012	5-11	ZS344463	9-40
EC572771	(4)-C13	ES207685	(10)-SW1	MB606712	4-4	MZ647133	8-15x	ZS383951	8-43
EC572771	(5)-C9	ES207718	(7)-SW1	MB625566	9-54	MZ650046	3-2	ZS392141	12-20x
EC593763	8-8	ES207720	(8)-SW1	MC621887	9-41	MZ675652	8-45	ZS413201	1-8
EC641136	9-45	ES249974	5-14	MH257477	9-5	MZ698736	(6)-2	ZS413201	8-58x
EC663704	(5)-C11	ES479395	9-47	MH317373	9-16	MA810191	5-26	ZS413201	9-8x
EC676721	(4)-C4	ES479485	8-42	MH527635	6-31	SA428714	12-27	ZS414044	1-11
EC676721	(4)-C17	ES499972	9-48x	MH528513	6-30	SB286931	12-12	ZS417216	2-16x
EC676721	(5)-C3	ES562465	5-31	MH533913	6-5	SB286920	12-11	ZS417216	9-25
EC676721	(5)-C10	ES573456	9-42	MH578957	1-3	SB286942	12-13	ZS417216	9-53
ED219464	(4)-D1	ES573478	6-28	MH581927	9-9	SB286953	12-14	ZS417216	12-26x
ED224548	(1)-D5to8	ET208012	(2)-TR8	MH615161	12-5x	SB640732	7-10	ZS421806	(1)-3
ED224550	(3)-D9to13	ET391768	(4)-TR1to3	MH625140	9-7	SB640743	7-11	ZS421806	(3)-3
ED224550	6-2x	ET393568	(3)-TR3	MH625162	4-24	SB643500	7-8	ZS421806	4-28
ED224550	9-2x	ET398711	(2)-TR1to7	MH625195	9-15	SB643577	7-9	ZS421806	8-20
ED357794	(1)-D2	ET398711	(2)-TR9	ML284444	4-18	SC627107	12-4	ZS422076	(1)-5
ED357794	(3)-D5	ET398711	(2)-TR11,12	ML203635	12-25x	SC627118	12-34	ZS422076	(3)-5
ED494583	(3)-D1to4	ET398711	(3)-TR2	ML228881	6-9	SE597161	4-12	ZS422076	4-25
ED522887	11-8x	ET398711	(4)-TR4	ML314976	9-18	SE613866	12-9	ZS422076	5-16
ED557447	(1)-D1	ET398711	(5)-TR1	ML396810	9-17	SE613888	12-8	ZS422076	6-3

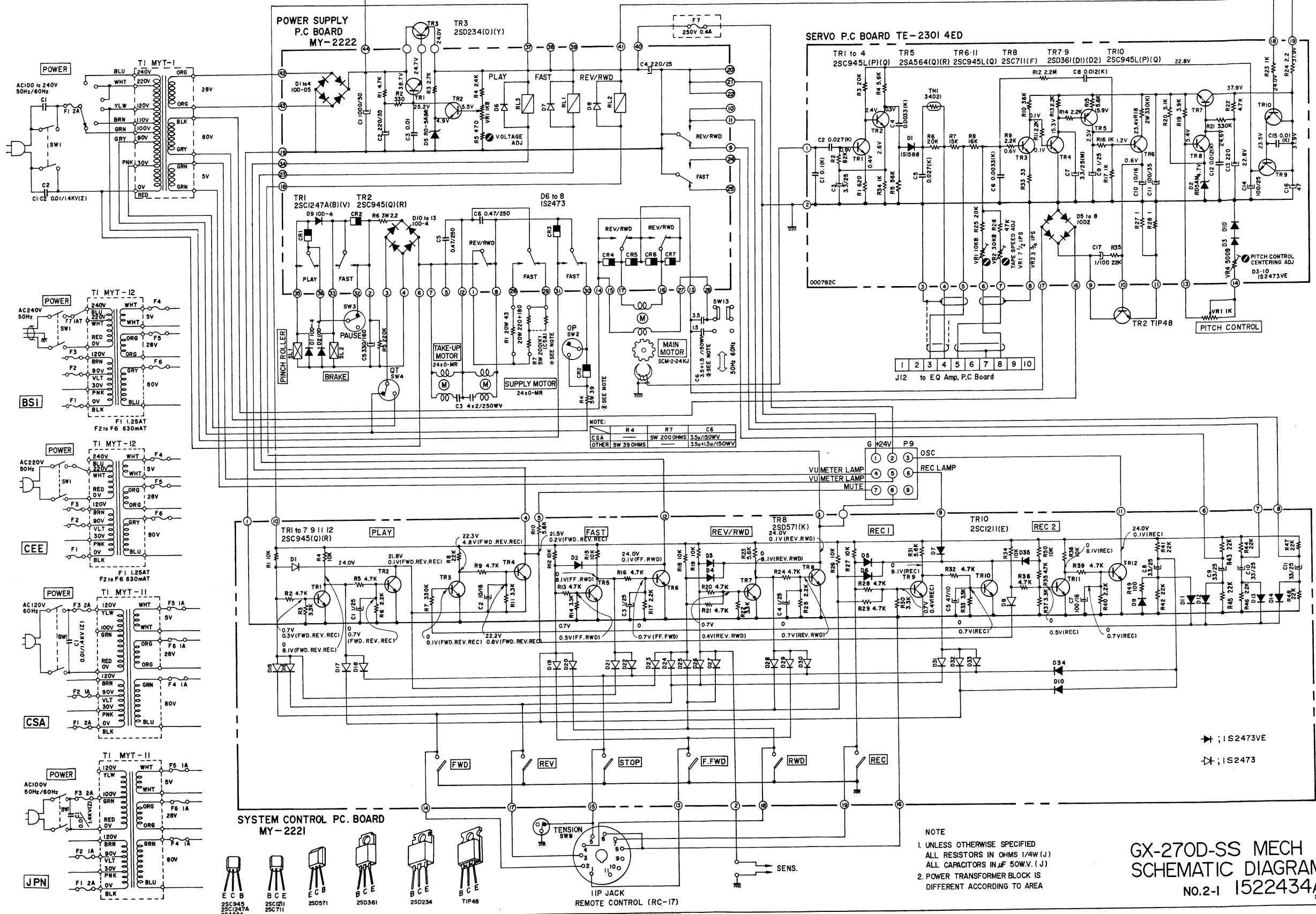
INDEX

Parts No.	Ref. No. & Symbol No.	Parts No.	Ref. No. & Symbol No.	Parts No.	Ref. No. & Symbol No.	Parts No.	Ref. No. & Symbol No.	Parts No.	Ref. No. & Symbol No.
ZS422076	8-22	ZW562476	9-60x						
ZS422076	9-3	ZW575730	12-3x						
ZS422076	9-23	ZW580173	9-30						
ZS422076	11-3	ZW593212	4-27						
ZS422076	11-25x	ZW601075	4-13						
ZS422076	11-28x	ZW601075	5-27						
ZS422965	5-32	ZW603990	4-3						
ZS422965	9-44	ZW604012	4-9						
ZS424056	2-19	ZW621854	6-23						
ZS424056	8-4	ZW622001	6-37						
ZS424980	12-18x								
ZS432674	5-5								
ZS433315	2-18								
ZS447761	11-22								
ZS447840	8-46x								
ZS447840	12-44x								
ZS455207	8-33x								
ZS462925	8-55x								
ZS462947	1-31x								
ZS483502	5-15								
ZS483502	6-29								
ZS484828	4-15								
ZS499331	4-5								
ZS516205	(6)-3								
ZS558101	(3)-7								
ZS608477	1-16								
ZS608512	1-15								
ZS609298	(2)-2								
ZS613901	12-32								
ZS664345	12-31x								
ZS665550	12-30x								
ZS687137	4-19								
ZW259738	6-34								
ZW260010	9-37x								
ZW269785	1-34x								
ZW270088	2-9								
ZW270088	5-9								
ZW270088	6-6								
ZW270088	6-39								
ZW270088	9-6								
ZW270101	4-20								
ZW270101	5-29								
ZW270101	6-35								
ZW270134	6-14								
ZW273633	1-33x								
ZW273633	4-14								
ZW273688	1-32x								
ZW273756	(1)-4								
ZW273756	1-4								
ZW273756	(2)-3								
ZW273756	(3)-4								
ZW273756	5-33								
ZW273756	6-32								
ZW273756	8-21								
ZW273756	9-10x								
ZW273802	(2)-4								
ZW273802	(6)-4								
ZW273802	11-17x								
ZW273881	8-56x								
ZW273892	8-57x								
ZW273914	1-9								
ZW273914	6-11								
ZW286255	4-23x								
ZW290283	5-13								
ZW290283	9-20								
ZW334653	6-16								
ZW413188	8-5								
ZW413188	12-6x								
ZW413256	1-19								
ZW416698	6-12								
ZW416698	8-59x								
ZW416698	9-12x								
ZW419646	5-28								
ZW419646	12-29x								
ZW420682	9-31								
ZW438928	6-38								
ZW535094	5-35								
ZW550642	5-8								
ZW550642	6-8								
ZW562476	2-15x								

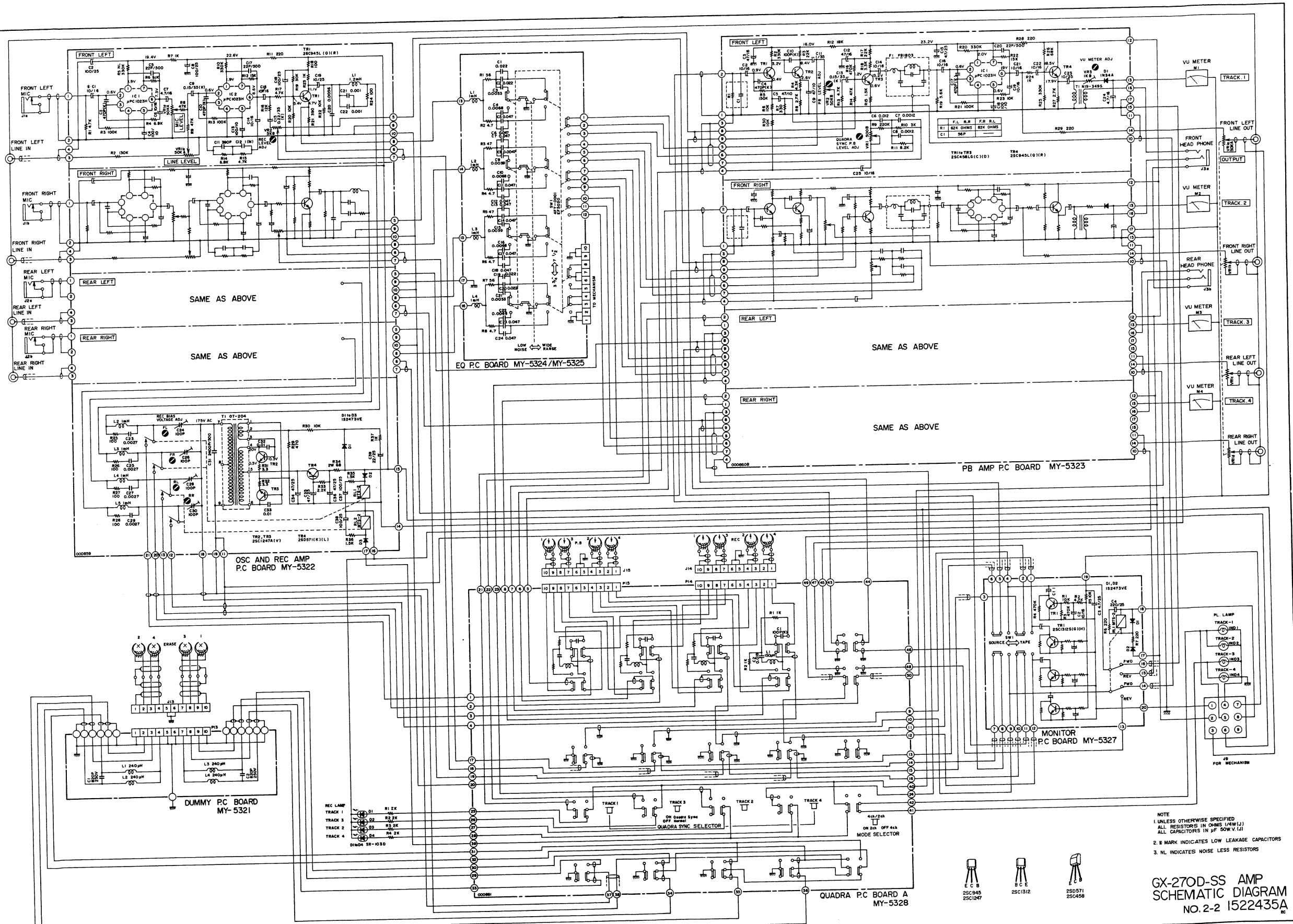
SECTION 3

SCHEMATIC DIAGRAM

1. GX-270D-SS NO. 2-1 1522434A MECH SCHEMATIC DIAGRAM
2. GX-270D-SS NO. 2-2 1522435A AMP SCHEMATIC DIAGRAM



GX-270D-SS MECH SCHEMATIC DIAGRAM No.2-1 1522434A



NOTE
 1. UNLESS OTHERWISE SPECIFIED
 ALL RESISTORS IN OHMS (W/W/L)
 ALL CAPACITORS IN μ F 50W.V (L)
 2. * MARK INDICATES LOW LEAKAGE CAPACITORS
 3. NL INDICATES NOISE LESS RESISTORS

GX-270D-SS AMP
 SCHEMATIC DIAGRAM
 NO. 2-2 1522435A

