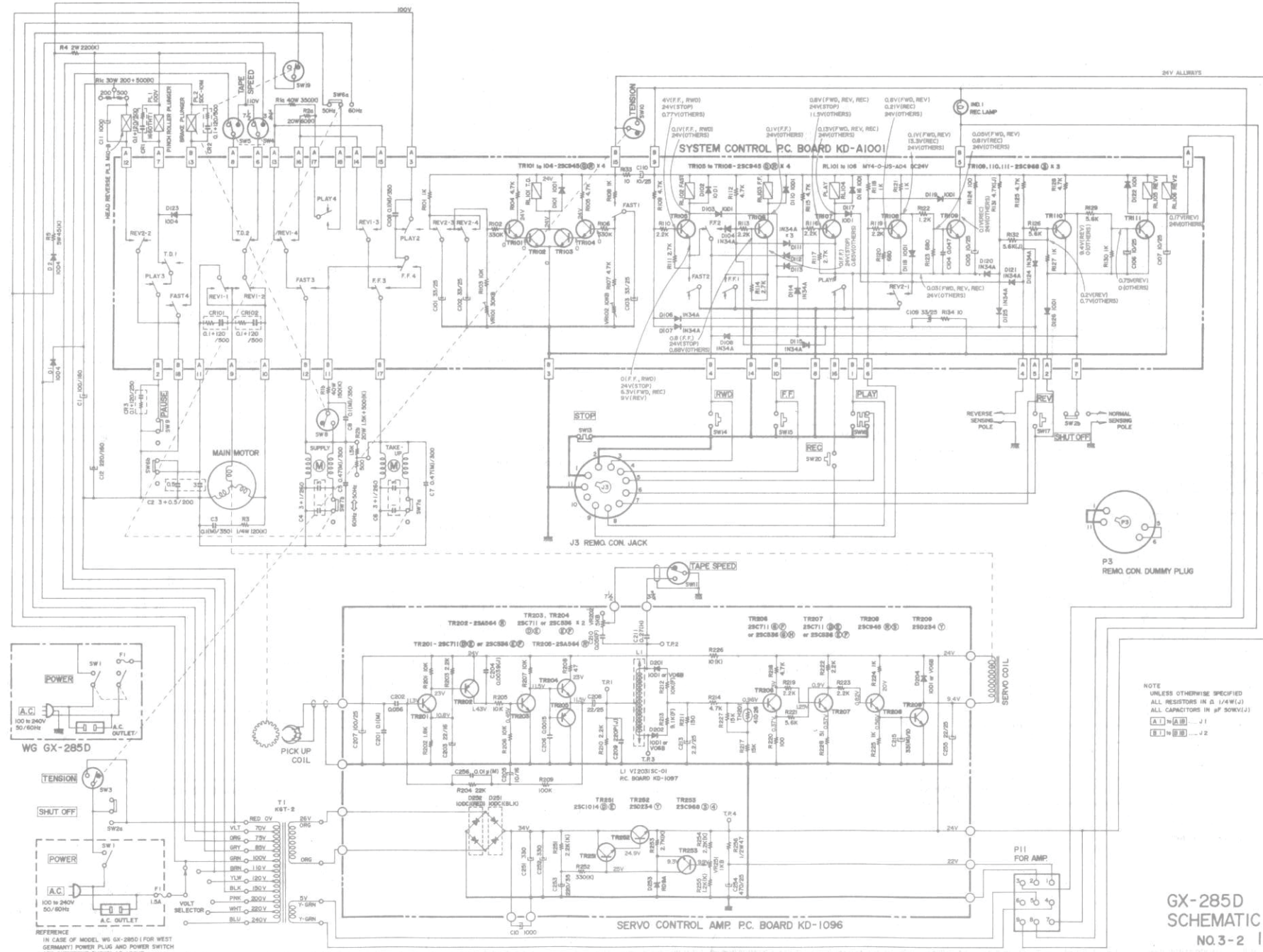
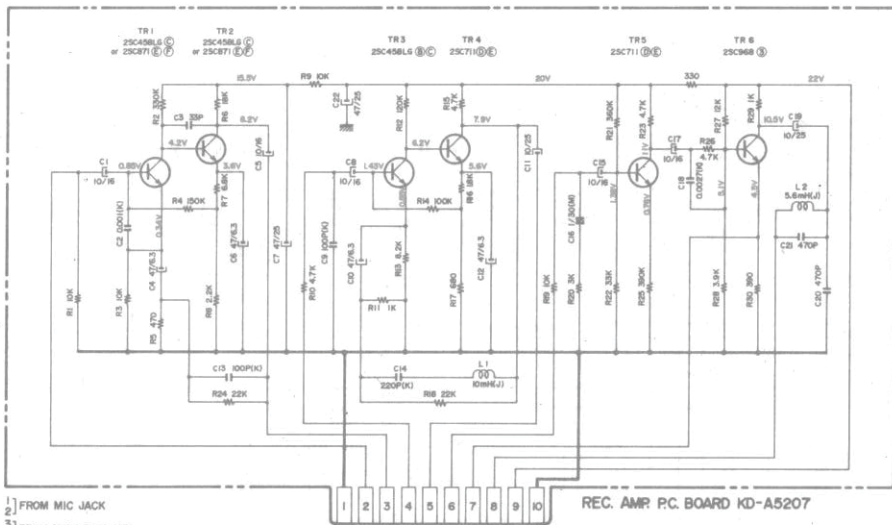


NOTE
UNLESS OTHERWISE SPECIFIED
ALL RESISTORS IN Ω 1/4W (J)
ALL CAPACITORS IN μF 50W.V. (J)



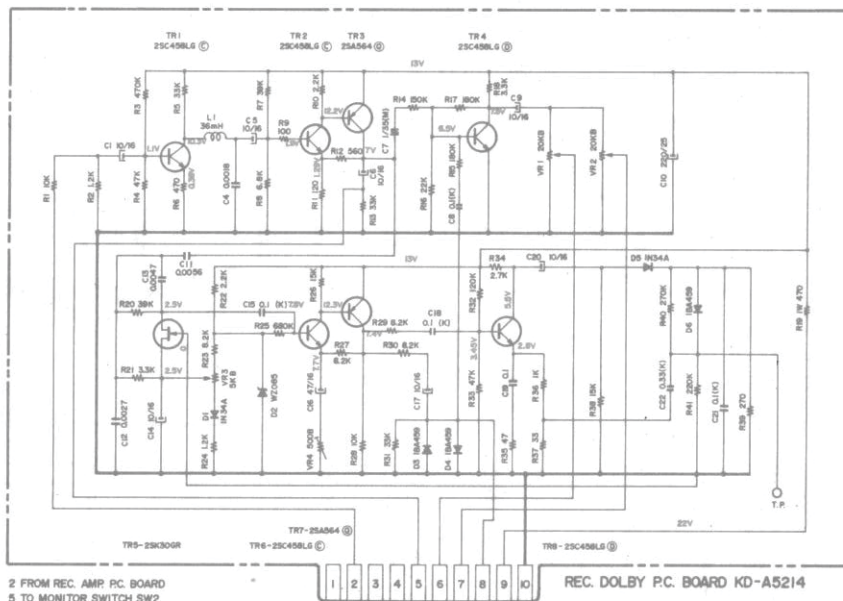
NOTE
UNLESS OTHERWISE SPECIFIED
ALL RESISTORS IN Ω (1/4W(J))
ALL CAPACITORS IN μF (50V(K))
[A] [A] [A] J 1
[B] [B] [B] J 2

GX-285D
SCHEMATIC DIAGRAM
NO.3-2 1460245A



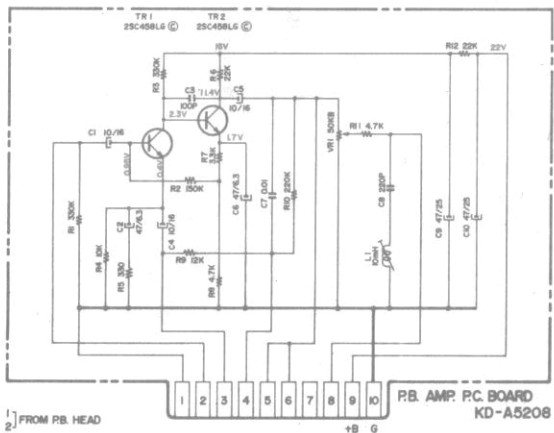
- 1] FROM MIC JACK
- 2] FROM MIC JACK
- 3] FROM MIC LEVEL VR1
- 4] TO REC. DOLBY PC. BOARD
- 5] TO LOW NOISE SWITCH SW19
- 6] TO TAPE SPEED SWITCH SW301
- 7] TO TRACK SELECTOR SWITCH SW302

REC. AMP. PC. BOARD KD-A5207



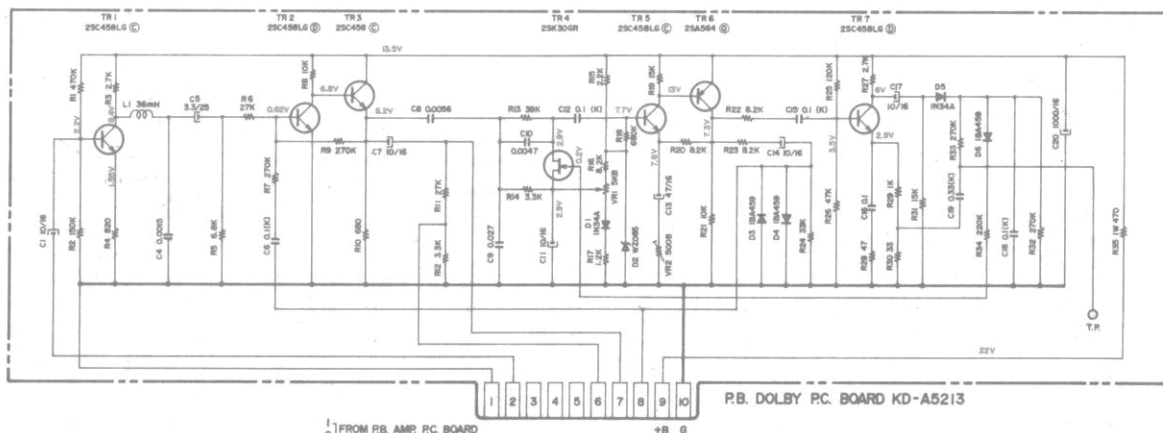
- 2] FROM REC. AMP. PC. BOARD
- 5] TO MONITOR SWITCH SW2
- 6] TO LOW NOISE SWITCH SW19
- 8] TO DOLBY SWITCH SW3

REC. DOLBY PC. BOARD KD-A5214



- 1] FROM RB. HEAD
- 2] TO TAPE SPEED SWITCH SW301
- 8] TO RB. DOLBY AMP. PC. BOARD

RB. AMP. PC. BOARD KD-A5208



- 1] FROM RB. AMP. PC. BOARD
- 2] TO VOLUME PC. BOARD-D
- 7] TO S.O.S. SWITCH SW1
- 8] TO DOLBY SWITCH SW3

P.B. DOLBY PC. BOARD KD-A5213

NOTE
UNLESS OTHERWISE SPECIFIED
ALL RESISTORS IN Ω (4W Ω)
ALL CAPACITORS IN μ F (50WV μ F)