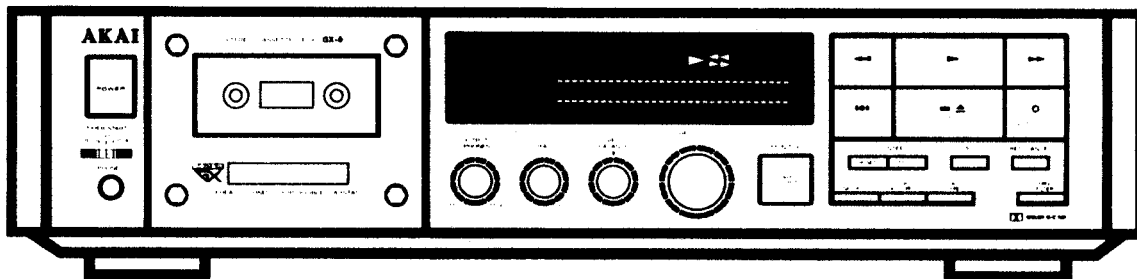
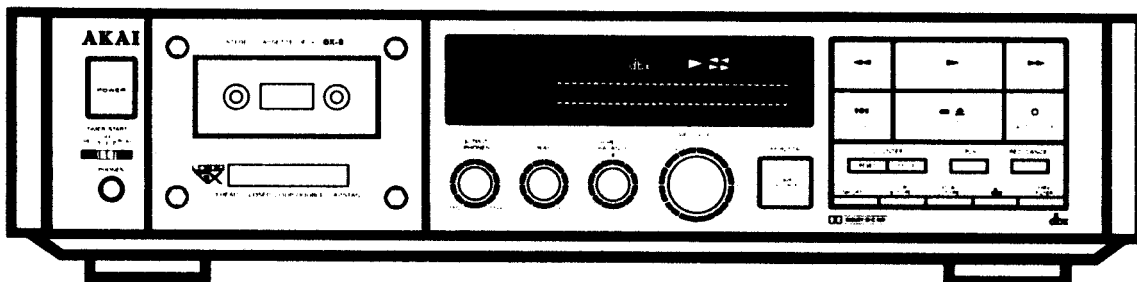


AKAI SERVICE MANUAL



MODEL **GX-6**



MODEL **GX-8**

STEREO CASSETTE DECK

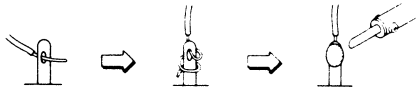
MODEL **GX-6**

MODEL **GX-8**

★ SAFETY INSTRUCTIONS

PRECAUTIONS DURING SERVICING

- Parts identified by the Δ symbol parts are critical for safety. Replace only with parts number specified.
- In addition to safety, other parts and assemblies are specified for conformance with such regulations as those applying to spurious radiation. These must also be replaced only with specified replacements.
Examples: RF converters, tuner units, antenna selector switches, RF cables, noise blocking capacitors, noise blocking filters, etc.
- Use specified internal wiring. Note especially:
 - Wires covered with PVC tubing
 - Double insulated wires
 - High voltage leads
- Use specified insulating materials for hazardous live parts. Note especially:
 - Insulation Tape
 - PVC tubing
 - Spacers (Insulating Barriers)
 - Insulation sheets for transistors
 - Plastic screws for fixing microswitch (especially in turntable)
- When replacing AC primary side components (transformers, power cords, noise blocking capacitors, etc.), wrap ends of wires securely about the terminals before soldering.



- Observe that wires do not contact heat producing parts (heatsinks, oxide metal film resistors, fusible resistors, etc.).

- Check that replaced wires do not contact sharp edged or pointed parts.
- Also check areas surrounding repaired locations.
- Use care that foreign objects (screws, solder droplets, etc.) do not remain inside the set.

SAFETY CHECK AFTER SERVICING

Confirm the specified insulation resistance between power cord plug prongs and externally exposed parts of the set is greater than 10 M ohms, but for equipment with external antenna terminals (tuner, receiver, etc.) and is intended for [C] or [A], specified insulation resistance should be headphone jacks line-in-out jacks etc. more than 2.2 M ohms (ground terminals, microphone jacks).

I. SPECIFICATIONS

Model	GX-8	GX-6
Track system	4 track 2 channel stereo	4 track 2 channel stereo
Heads	Super GX head for recording × 1 Super GX head for playback × 1 Erase head × 1	Super GX head for recording × 1 Super GX head for playback × 1 Erase head × 1
Motors	Quartz PLL direct drive motor for capstan drive × 1 DC motor for reel drive × 1 DC motor for cam and door drive × 1	Direct drive FG servo motor for capstan drive × 1 DC motor for reel drive × 1 DC motor for cam and door drive × 1
Wow & flutter	0.025% WRMS (JIS), 0.04% (DIN)	0.025% WRMS (JIS), 0.04% (DIN)
S/N (METAL)	60 dB (Measured via tape with 3% THD recording level) Dolby B type NR switch ON: Improves up to 5 dB at 1 kHz, 10 dB above 5 kHz Dolby C type NR switch ON: Improves up to 15 dB at 500 Hz, 20 dB at 1 kHz to 10 kHz	60 dB (Measured via tape with 3% THD recording level) Dolby B type NR switch ON: Improves up to 5 dB at 1 kHz, 10 dB above 5 kHz Dolby C type NR switch ON: Improves up to 15 dB at 500 Hz, 20 dB at 1 kHz to 10 kHz
Dynamic range	110 dB (dbx ON)	—
T.H.D.	Less than 0.6% (Metal)	Less than 0.6% (Metal)
Frequency response	NORM 20 Hz to 19,000 Hz ± 3 dB CrO ₂ 20 Hz to 20,000 Hz ± 3 dB METAL 20 Hz to 21,000 Hz ± 3 dB	20 Hz to 19,000 Hz ± 3 dB 20 Hz to 20,000 Hz ± 3 dB 20 Hz to 21,000 Hz ± 3 dB
Input sensitivity/Impedance	LINE IN 70 mV/47 kohms	70 mV/47 kohms
Output sensitivity/Impedance	LINE 388 mV/1 kohms PHONES 1.3 mW (8 ohms)/82 ohms	388 mV/1 kohms 1.3 mW (8 ohms)/82 ohms
Power requirements	120 V, 60 Hz for USA & Canada 220 V, 50 Hz for Europe except UK 240 V, 50 Hz for UK & Australia 110 V/120 V/220 V/240 V, 50 Hz/60 Hz convertible for other countries	120 V, 60 Hz for USA & Canada 220 V, 50 Hz for Europe except UK 240 V, 50 Hz for UK & Australia 110 V/120 V/220 V/240 V, 50 Hz/60 Hz convertible for other countries
Dimensions	440 (W) × 111 (H) × 353 (D) mm (17.3 × 4.4 × 13.9 inches)	440 (W) × 111 (H) × 353 (D) mm (17.3 × 4.4 × 13.9 inches)
Weight	6.5 kg (14.3 lbs)	6.5 kg (14.3 lbs)

- For improvement purposes, specifications and design are subject to change without notice.
- "DOLBY" and double-D symbol are trademarks of DOLBY Laboratories Corporation. (Noise reduction manufactured under license from Dolby Laboratories Licensing Corporation.)
- dbx is a trademark of dbx incorporated.

★ INFORMATION

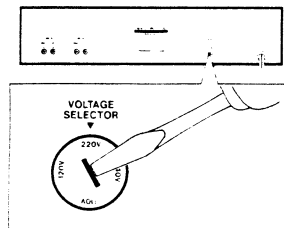
SYMBOLS FOR PRIMARY DESTINATION

Alphabet indicates the destination of the units as listed below.

Symbols	Principal Destinations
[A]	USA
[B]	UK
[C]	Canada
[E]	Europe (except UK)
[J]	Japan
[S]	Australia
[V]	W. Germany only
[U]	Universal Area
[Y*]	Custom version

VOLTAGE CONVERSION (U Model only)

Before connecting the power cord, set the VOLTAGE SELECTOR located on the rear panel with a screwdriver so that the correct voltage is indicated.

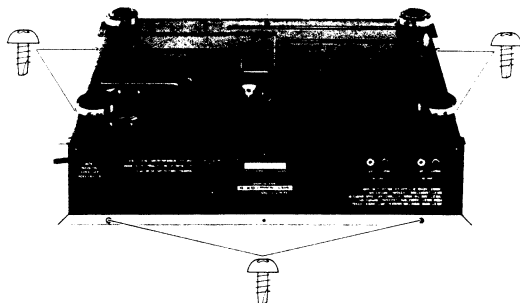


II. DISMANTLING OF UNIT

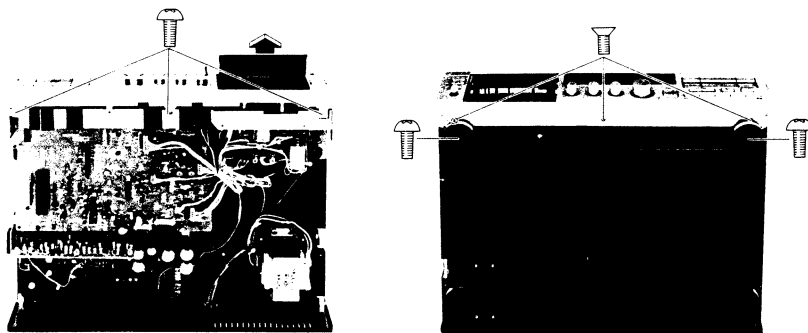
In case of trouble, etc. necessitating dismantling, please dismantle in the order shown in the photographs. Reassemble in reverse order.

* Photographs employed here are of model GX-8

1. REMOVAL OF UPPER COVER



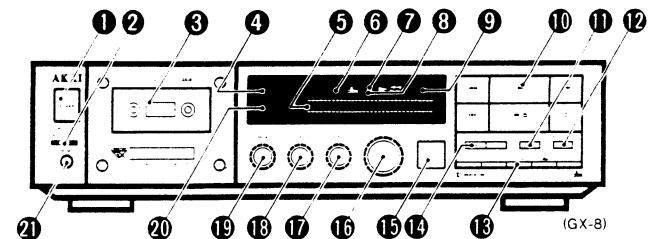
2. REMOVAL OF FRONT PANEL



* Remove the cassette lid first then remove the front panel. (Turn on the Power and depress the Eject button.)

* Remove the Feet first then remove the front panel screws.

III. CONTROLS



① POWER Switch

To turn ON and OFF the power.

② TIMER START selector

For absentee recording and timed playback.

③ Cassette holder and cassette lid (Power assisted)

Load a cassette tape here. To open, press the STOP, EJECT CLOSE (■/▲) button. To close, press once again.

Do not manually open this cassette holder, as it may damage your equipment.

④ Digital counter and counter mode display (ELAPSED/REMAIN)

Tape counter shows tape running time, elapsed time and tape remaining time.

When the power is turned off, the digital counter resets to "0" and the mode is set for tape counter.

⑤ Peak level meter and recording level guides

Shows playback and recording peak levels. The proper recording level is marked by fine dotted lines (recording level guides) visible on the peak meter, which vary according to tape position and type of noise reduction used.

⑥ Noise reduction display DOLBY NR B, C and FILTER (GX-8 includes dbx noise reduction)

Shows which noise reduction is engaged and if MPX filter switch is engaged.

⑦ Cassette deck mode display (REC, ◀, ▶, and ►)

Shows cassette deck's operation mode (recording, playback or tape winding).

⑧ IPLS display

Shows IPLS (Instant Program Locating System) is engaged.

⑨ Monitor Mode display (TAPE/SOURCE)

Shows MONITOR switch mode.

⑩ Operation buttons

STOP, EJECT CLOSE (■/▲), REC PAUSE (■●), Play (▶), AUTO MUTE (○), Rewind (◀) and Fast Forward (▶) buttons for playback and recording operations.

Do not attempt to open or close the cassette holder manually.

Press the STOP, EJECT CLOSE (■/▲) button to open and close the cassette holder.

⑪ IPLS button

To select playback with the IPLS system.

⑫ REC CANCEL button

To cancel recording and rewind tape to the first detectable blank space of tape. Convenient for re-recording a section of tape.

⑬ Noise reduction selector (NR OFF, DOLBY B, DOLBY C, and MPX FILTER switch (dbx noise reduction on GX-8 only))

To select noise reduction for recording and playback purposes. The MPX FILTER switch eliminates pilot tones from FM stereo signals.

The NR OFF switch does not turn the MPX filter OFF, to do so press the MPX filter switch once again.

⑭ COUNTER RESET/MODE select button

To reset the digital counter to "0", and to change the display mode of the digital counter.

⑮ MONITOR TAPE/SOURCE switch

To select the monitor mode either from a connected amplifier or through this cassette deck's headphones. This cassette deck is incorporated with an auto monitor system. If set for SOURCE and tape operation buttons (except AUTO MUTE button) are pressed, the MONITOR switch automatically changes to TAPE.

⑯ REC LEVEL control

To set recording levels. The level adjustment is the same amount for both right and left channels.

⑰ REC BALANCE control

To set the left and right channel balance of recording input levels.

⑱ BIAS control

To set the recording bias current. The bias adjustment range is between -20% and +20% of the proper bias current of each tape position. If using a reference tape recommended for use with Akai cassette decks, set this control to the center click "0" position.

⑲ OUTPUT/PHONES control

To adjust the output level of the cassette deck.

This control adjusts the LINE OUT and PHONES jack output levels.

⑳ Tape position display (METAL, CrO₂, NORM)

Shows position of the loaded cassette tape.

㉑ PHONES jack

To listen through a pair of headphones, connect them to this jack.

IV. PRINCIPAL PARTS LOCATION

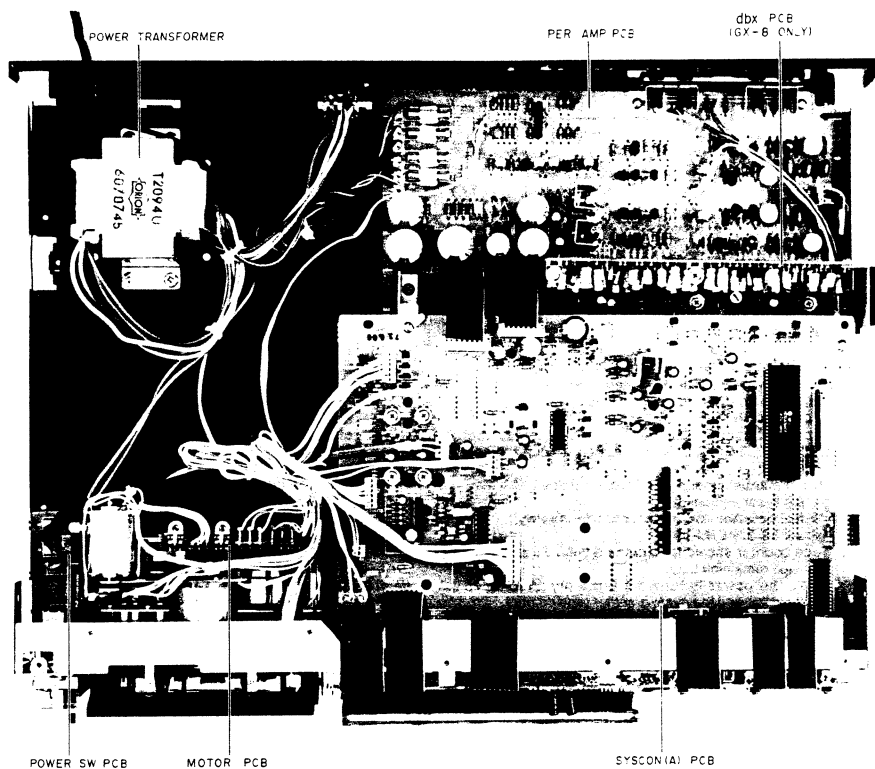


Fig. 4-1. Top View

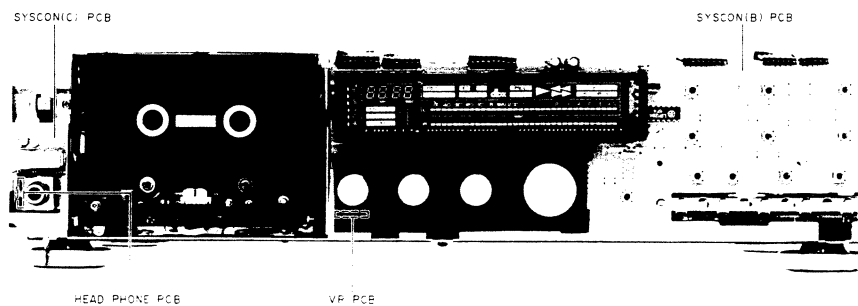


Fig. 4-2. Front View

V. MECHANICAL ADJUSTMENT

5-1. PINCH ROLLER PRESSURE MEASUREMENT (Refer to Fig. 5-1)

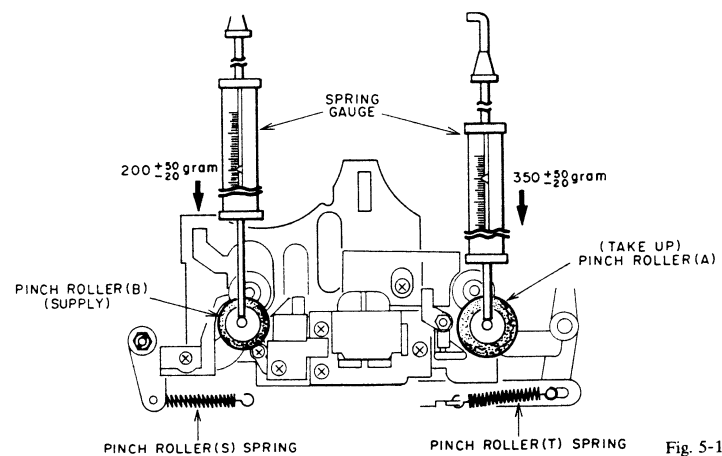


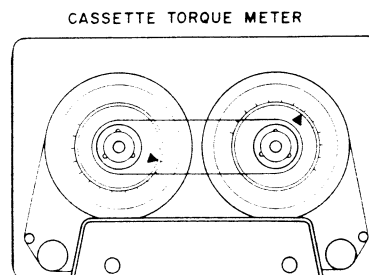
Fig. 5-1

Put in PLAY mode. Push pinch roller arm down with the spring gauge push the pinch roller 1 or 2 mm from the capstan and release slowly. Read the spring gauge at the moment the pinch roller touches the capstan and begins to rotate.

Specified pressure: 350 ± 50 gram (Take up)
 200 ± 50 gram (Supply)

If there is no measurement obtained, replace the pinch roller spring.

5-2. WINDING TORQUE MEASUREMENT IN EACH MODE (Refer to Fig. 5-2)



Insert a cassette torque meter (AJ-751179) and measure in each mode. For Fast Forward and Rewind, measure at the end of the tape when the tape has stopped running.

PLAY mode
Take up Torque : 40 ± 20 g-cm
Back tension torque : 10 ± 10 g-cm

FAST FORWARD, REWIND mode

Take up Torque : 120 ± 130 g-cm

Fig. 5-2

5-3. HOW TO INSTALL VOLUME (VR 901) AND CAM WHEEL

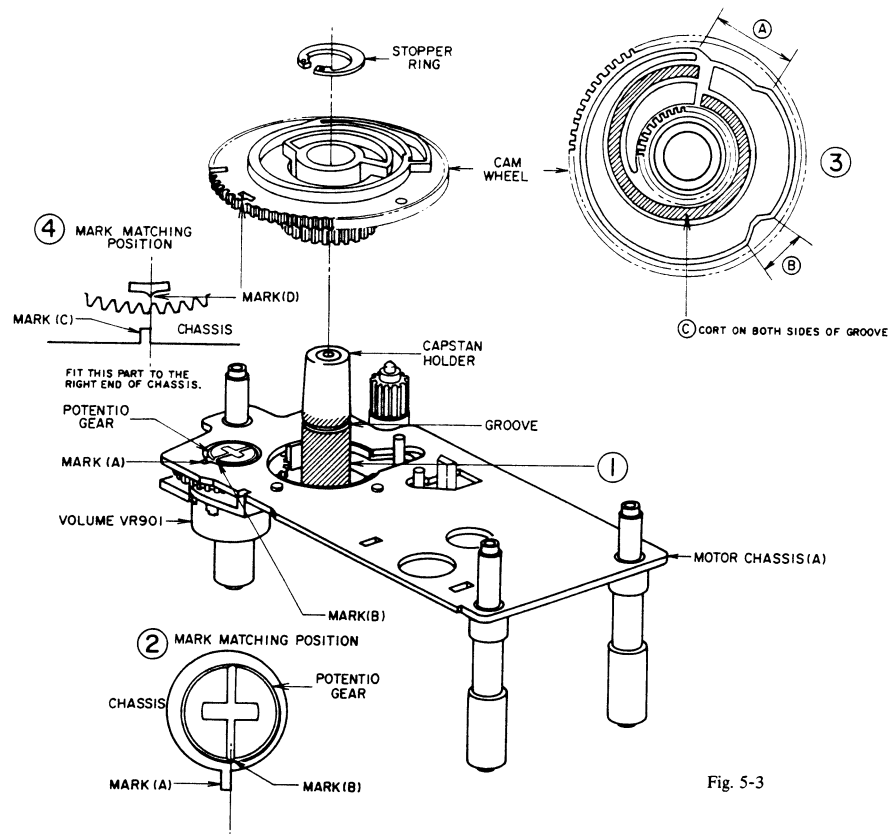


Fig. 5-3

- 1) Apply Molybdenum coat on the capstan holder
Apply Molybdenum coat on the area of 360° from the bottom to the upside 2mm of groove as shown in the figure. (Fig. 5-3-①)
- 2) Fitting position volume (potentio gear)
Fit the right end of Mark (A) to the center of Mark (B) as shown in the figure. (Fig. 5-3-②)
- 3) Apply the Molybdenum coat on ④, ⑤ and ⑥ shown in Fig. 5-3-③.
- 4) Set the cam wheel on the capstan wheel (Ensure that the cam wheel and potentiometer gear are meshed properly).

When the cam wheel is set properly, fit the center of Mark (D) to the right end of Mark (C). (Fig. 5-3-④)
5) Fit the stopper ring in the groove of the capstan holder.

CAUTIONS:

1. Make sure that the teeth on the periphery of cam wheel and the cam are absolutely free from any scratch, cut, etc.
2. Make sure that Molybdenum coat is applied on the specified area only.

5-4. POTENTIOMETER PRESET VOLTAGE ADJUSTMENT (Refer to Fig. 5-4 to 5-5)

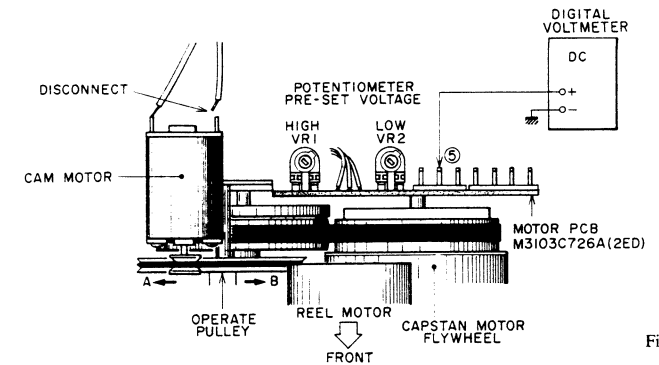


Fig. 5-4

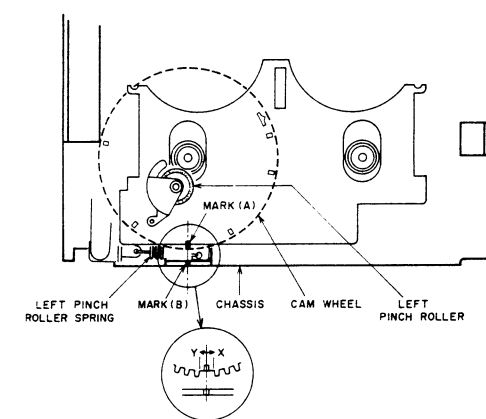


Fig. 5-5

1) LOW VOLTAGE ADJUSTMENT

- a. With power OFF, remove the connecting cord of the cam motor and turn the operate pulley fully with your fingers in A direction. (EJECT DIRECTION)
- b. Connect the digital voltmeter as shown in Fig. 5-4.
- b. With power ON, adjust VR2 so that the voltage reading will be 0.94V (DC).

2) HIGH VOLTAGE ADJUSTMENT

- a. With power OFF, turn the operate pulley fully with your fingers in B direction. (PLAY DIRECTION)
- b. With power ON, adjust VR1 so that the voltage reading will be 8.08V (DC).

3) Repeat Items 1) and 2).

- 4) a. With Power OFF, connect the connecting cord of the motor.
- b. Remove the digital voltmeter.

5) Remove the Cassette lid, Front panel and Bottom cover.

- 6) a. Set power to ON.
- b. Adjust VR1 slightly so that the center of Marker (A) coincides with the center of Marker (B) (should be within the range between X and Y) at STOP Mode as shown in Fig. 5-5.
(The marker (STOP) on the CAM WHEEL can be seen clearly by lighting it from the back.)
- d. Set the IPLS switch to ON.
- d. Confirm that head and pinch rollers do not move up and down when the FF and REW switches are alternately depressed.
- e. Turn the reel with fingers in STOP Mode to check that the brake works sufficiently.
When the brake acts normally, the take-up reel does not turn clockwise while the supply reel does not rotate counterclockwise

VI. HEAD ADJUSTMENT

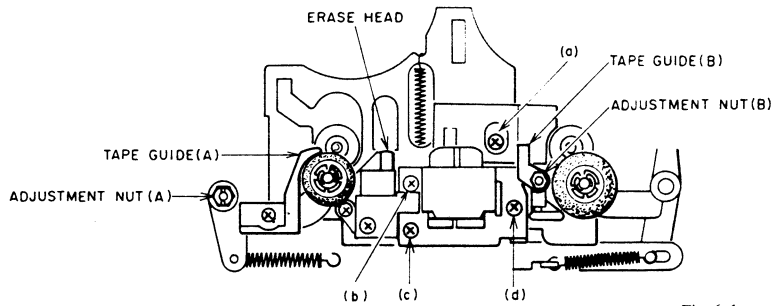


Fig. 6-1

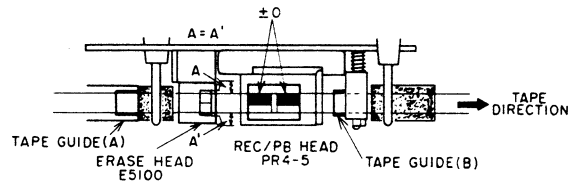


Fig. 6-2

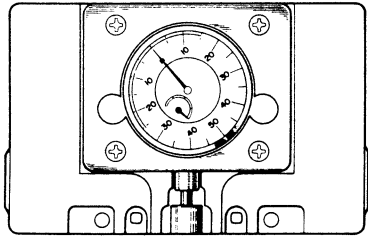


Fig. 6-3 Cassette Head Projection Gauge (AJ-751180)

6-1. REC/PB HEAD PROJECTION ADJUSTMENT
Take off the LID CASE and set the cassette head projection gauge (AJ-751180) and set to PLAY mode. Loosen the screw (a) and adjust so that the gauge indication at that time will be 3.2 ± 0.1 mm. After adjustment, apply paintlock on the screw (a).

6-2. TAPE GUIDE HEIGHT ADJUSTMENT

- 1) Set the mirror cassette tape (AJ-751178) and set to PLAY mode.
- 2) Adjust the tape guide (A) so that the parts of the erase head coming out of both sides of the tape (A and A' in Fig. 6-2) will be equal. For the adjustment, use the adjustment nut (A).
- 3) Adjust the tape guide (B) so that the tape runs smoothly and is not hitched by the tape guide.
For the adjustment, use the adjustment nut (B).
- 4) After adjustment, paint-lock the adjustment nuts (A) and (B).

6-3. REC/PB HEAD HEIGHT ADJUSTMENT

- 1) Set the mirror cassette tape and set to PLAY mode.
- 2) Adjust the screws (b), (c) and (d) so that the upper edge of REC/PB head Lch core and the upper side of the tape is in alignment.
- 3) Playback the head height adjustment tape (4 Track 1,000Hz) (AT-750775), and fine-adjust the screws (b), (c) and (d) so that the largest output is obtained for both channels.

6-4. REC/PB HEAD AZIMUTH ALIGNMENT

ADJUSTMENT

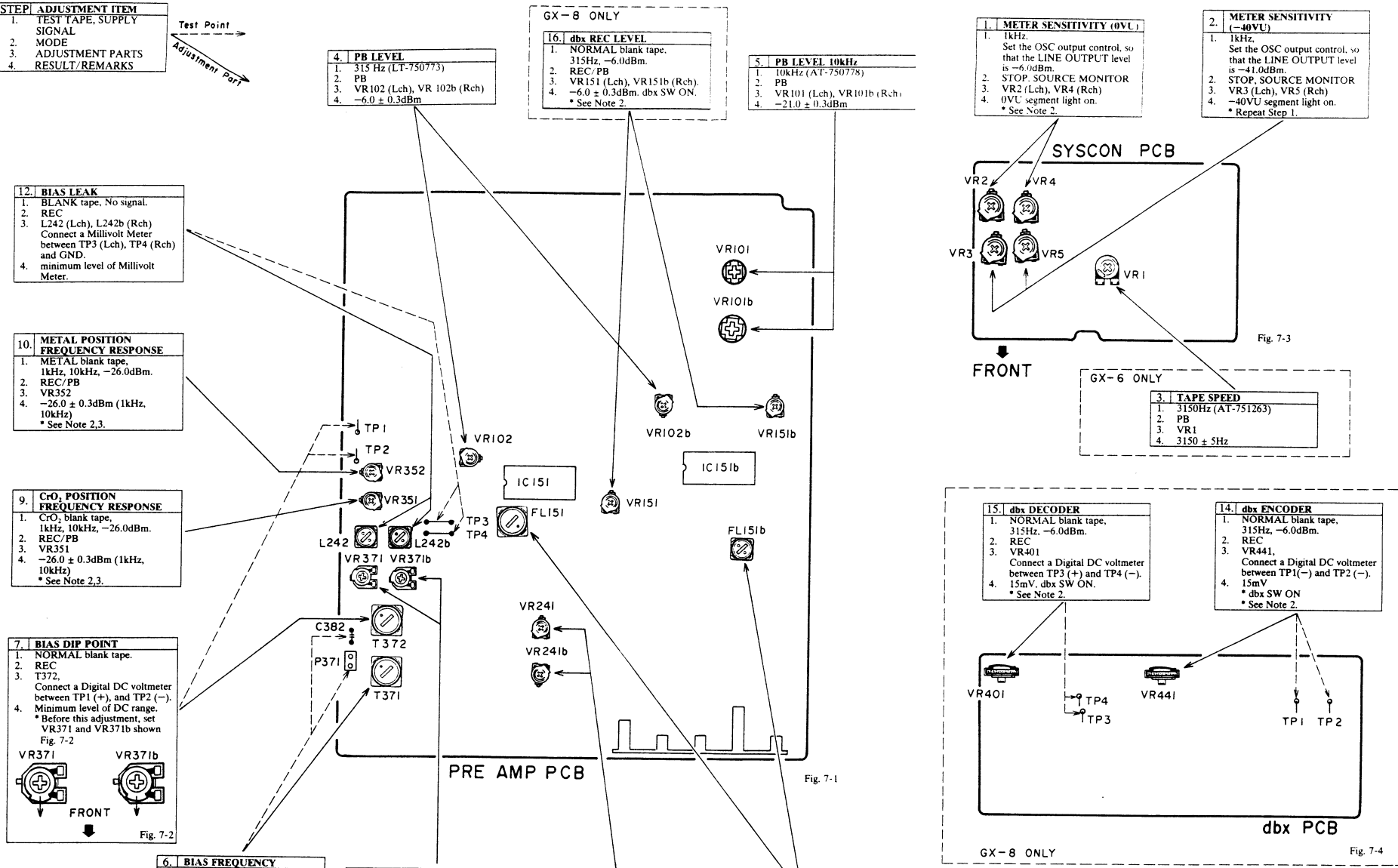
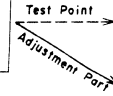
- 1) Playback a 10kHz Head Azimuth Alignment Tape (AT-750778) and adjust the screw (d) until the output levels of both channels are at maximum.
- 2) Record a 10kHz, -26 dBm signal from the audio frequency oscillator.
- 3) Rewind and check for any fluctuation in the output level at playback.
- 4) After adjustment, paintlock the screws (b), (c) and (d).

- NOTES:
1. Be sure to clean the heads prior to head adjustment.
 2. Be careful not to use a magnetized driver or other magnetized tools in the vicinity of the heads.
 3. Be sure to demagnetize the heads with a Head Demagnetizer before and after head adjustment.

VII. PRE AMP, SYSCON and dbx PCB ADJUSTMENT

EXAMPLE

STEP	ADJUSTMENT ITEM
1.	TEST TAPE, SUPPLY SIGNAL
2.	MODE
3.	ADJUSTMENT PARTS
4.	RESULT/REMARKS



12. BIAS LEAK
 1. BLANK tape, No signal.
 2. REC
 3. L242 (Lch), L242b (Rch)
 Connect a Millivolt Meter between TP3 (Lch), TP4 (Rch) and GND.
 4. minimum level of Millivolt Meter.

10. METAL POSITION FREQUENCY RESPONSE
 1. METAL blank tape, 1kHz, 10kHz, -26.0dBm.
 2. REC/PB
 3. VR352
 4. -26.0 ± 0.3dBm (1kHz, 10kHz)
 * See Note 2,3.

9. CrO, POSITION FREQUENCY RESPONSE
 1. CrO, blank tape, 1kHz, 10kHz, -26.0dBm.
 2. REC/PB
 3. VR351
 4. -26.0 ± 0.3dBm (1kHz, 10kHz)
 * See Note 2,3.

7. BIAS DIP POINT
 1. NORMAL blank tape.
 2. REC
 3. T372.
 Connect a Digital DC voltmeter between TP1 (+), and TP2 (-).
 4. Minimum level of DC range.
 * Before this adjustment, set VR371 and VR371b shown Fig. 7-2

FRONT

6. BIAS FREQUENCY
 1. METAL blank tape.
 2. REC
 3. T371
 Connect a frequency counter between P371 and GND.
 4. 100K ± 0.1kHz
 * If this adjustment is not obtained, cut the C382 and repeat same adjustment.

8. NORMAL POSITION FREQUENCY RESPONSE
 1. NORMAL blank tape, 1kHz, 10kHz, -26.0dBm.
 2. REC/PB
 3. VR371 (Lch), VR371b (Rch)
 4. -26.0 ± 0.3dBm (1kHz, 10kHz)
 * See Note 2,3.

11. REC LEVEL
 1. NORMAL blank tape, 315Hz, -6.0dBm.
 2. REC/PB
 3. VR241 (Lch), VR241b (Rch).
 4. -6.0 ± 0.2dBm
 * See Note 2,3.

13. MPX FILTER
 1. 19kHz, -6.0dBm
 2. STOP, SOURCE MONITOR
 3. FL151 (Lch), FL151b (Rch)
 4. Minimum level of Millivolt Meter. MPX, SW ON

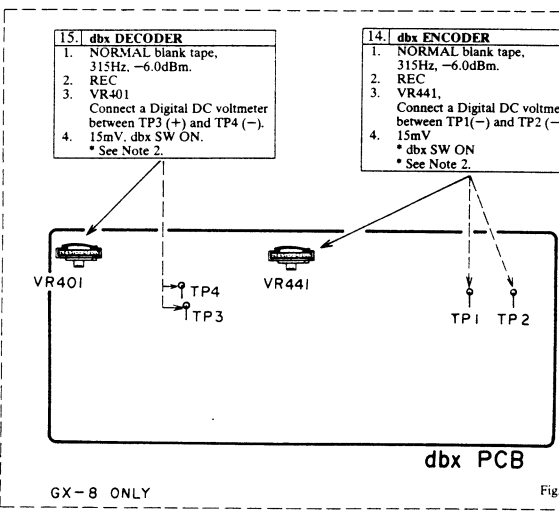
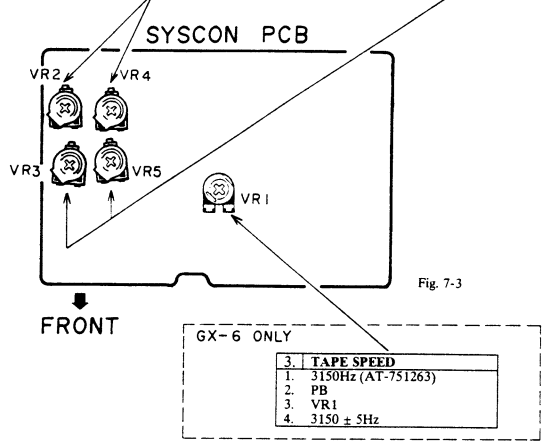
4. PB LEVEL
 1. 315 Hz (LT-750773)
 2. PB
 3. VR102 (Lch), VR102b (Rch)
 4. -6.0 ± 0.3dBm

GX-8 ONLY
16. dbx REC LEVEL
 1. NORMAL blank tape, 315Hz, -6.0dBm.
 2. REC/PB
 3. VR151 (Lch), VR151b (Rch).
 4. -6.0 ± 0.3dBm. dbx SW ON.
 * See Note 2.

5. PB LEVEL 10kHz
 1. 10kHz (AT-750778)
 2. PB
 3. VR101 (Lch), VR101b (Rch).
 4. -21.0 ± 0.3dBm

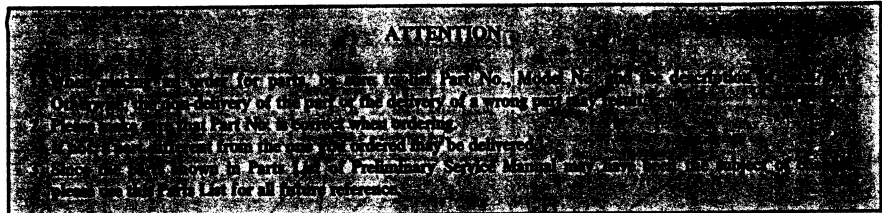
1. METER SENSITIVITY (0VU)
 1. 1kHz.
 Set the OSC output control, so that the LINE OUTPUT level is -6.0dBm.
 2. STOP, SOURCE MONITOR
 3. VR2 (Lch), VR4 (Rch)
 4. 0VU segment light on.
 * See Note 2.

2. METER SENSITIVITY (-40VU)
 1. 1kHz.
 Set the OSC output control, so that the LINE OUTPUT level is -41.0dBm.
 2. STOP, SOURCE MONITOR
 3. VR3 (Lch), VR5 (Rch)
 4. -40VU segment light on.
 * Repeat Step 1.



NOTES
 1. All Adjustments are without DOLBY, dbx, and MPX FILTER, but except STEP 14, 15, 16, 17.
 2. Controls setting:
 Output volume: Max, Rec balance: Center click position.
 Rec level volume: Max, Bias Adj. volume: Center click position.
 3. Use the following cassette measuring tape:
 NORMAL TAPE : MAXELL UDI C-60
 CrO, TAPE : TDK SA C-60
 METAL TAPE : TDK MA C-60

VIII.PARTS LIST



HOW TO USE THIS PARTS LIST

1. This Parts List lists those parts which are considered necessary for repairs. Other common parts, such as resistors and capacitors, are listed in the "Common List for Service Parts" from which these parts should be selected and stocked.
2. The Recommended Spare Parts List shows those parts in the Parts List which are considered particularly important for service.
3. Parts not shown in the Parts List and "Common List for Service Parts" will not in principle be supplied.
4. How to read the Parts List.
 - a) Mechanism Block
 - b) PC Board

2. HEAD BASE BLOCK

REF. NO.	PART NO.	DESCRIPTION
2-1x	BH-T2023A320A	HEAD BASE BLOCK
2-2	HP-H2206A010A	HEAD R/P PR4-8FU C
2-3	ZS-477876	PAN20x03STL CMT
2-4	ZS-536488	BID20x08STL CMT
2-5	ZG-402895	SP CS ANGLE ADJUST

SP (Service Parts) Classification
 A small "x" indicates that this part is not shown in the Photo or Illustration.
 This number corresponds with the individual parts index number in that figure.
 This number corresponds with the Figure Number.

6. MAIN PC BOARD

REF. NO.	PART NO.	DESCRIPTION
6-IC1	EI-324536	IC HD14049BP
6-IC2	EI-336801	IC MB8841-564M
6-C1A	EC-338399	C MMY V 223M 250AC [U,E,B,S]
6-C1B	EC-350949	C MMY V 223M 250DC [J]
6-C1C	EC-338397	C MMY V 223M 125AC [C,A]
6-X1	EI-318384	OSC X'TAL NC-18C

Symbols for primary destination
 [A]: AAL(U.S.A.) [S]: SAA(Australia)
 [B]: BEAB(England) [U]: U/T(Universal Area)
 [C]: CSA(Canada) [V]: VDE(W. Germany)
 [E]: CEE(Europe) [Y]: Custom Version
 [J]: JPN(Japan)
 SP (Service Parts) Classification
 These reference symbols correspond with component symbols in the Schematic Diagrams.

The available PC Board Blocks are listed separately.
 5. When Part No. is known, Parts Index at end of Parts List can be used to locate where that part is shown in Parts List by its Reference No. listed at right of Part No.

WARNING

△ (*) INDICATES SAFETY CRITICAL COMPONENTS. FOR CONTINUED SAFETY, REPLACE SAFETY CRITICAL COMPONENTS ONLY WITH MANUFACTURE'S RECOMMENDED PARTS.

AVERTISSEMENT

△ (*) IL INDIQUE LES COMPOSANTS CRITIQUES DE SÉCURITÉ. POUR MAINTENIR LE DEGRÉ DE SÉCURITÉ DE L'APPAREIL, NE REMPLACER QUE DES PIÈCES RECOMMANDÉES PAR LE FABRICANT.

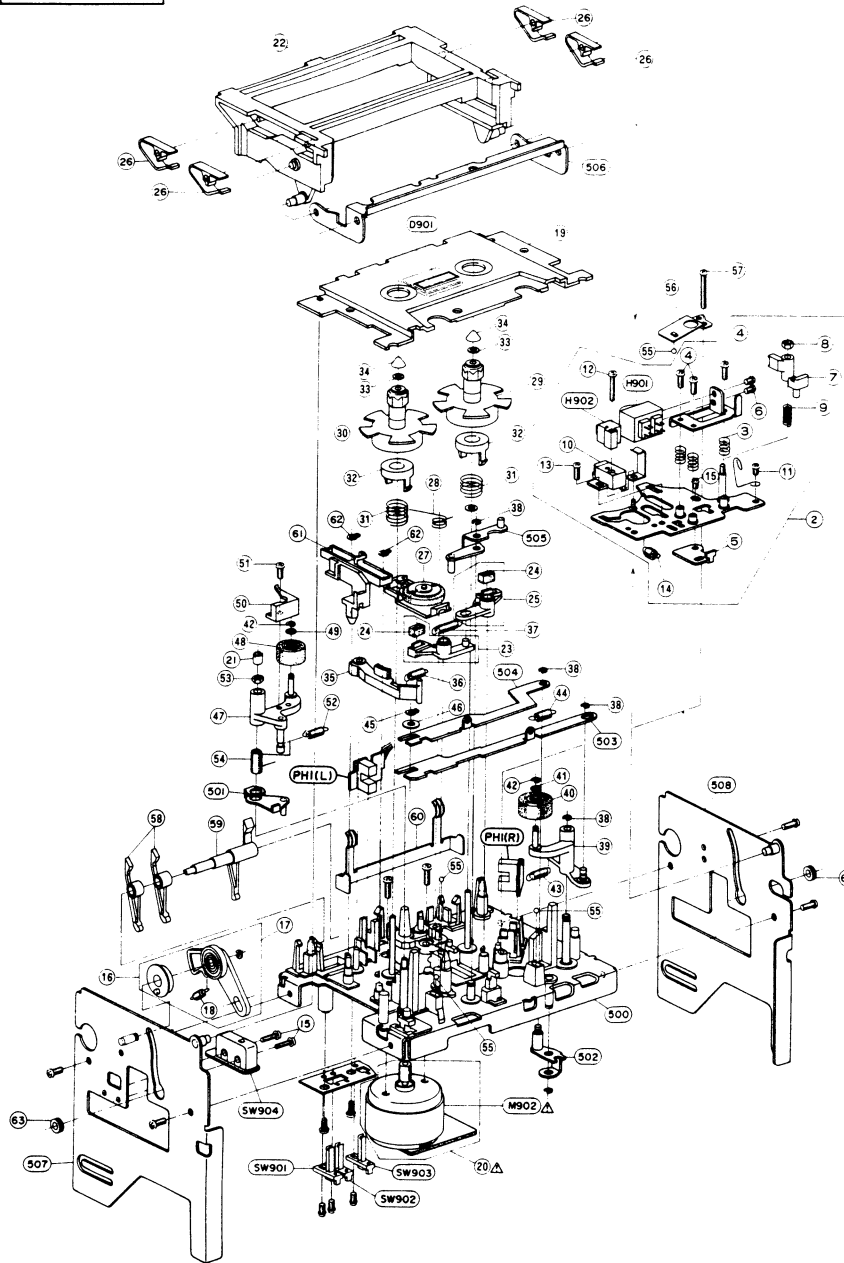
1. RECOMMENDED SPARE PARTS

Because, if the parts listed below are on hand, almost any repair can be accomplished, we suggest that you stock these Recommended Spare Parts Items.

Ref. No.	Part No.	Description
1	BF-B336024	FLYWHEEL (A) PART
2	BH-T2047A060C	HEAD BLK GX-8
3	BM-M3104A010B	MOTOR BLM-3108
4	BM-B345196	MOTOR OPERATION (PULLEY) PART
5	BM-B336989	MOTOR REEL (PULLEY) PART
6	BM-T2030A120C	REEL MOTOR BLK GX-9
7	BR-T2069A360A	REEL TABLE BLK GX-9
8	*BT-369969	TRANS POWER T2094 (E)
9	*BT-369968	TRANS POWER T2094(A,C)
10	*BT-369970	TRANS POWER T2094(B,S)
11	*BT-369965	TRANS POWER T2094(U)
12	*BT-337226	TRANS POWER T-2032(B,S)
13	*ED-330319	D SILICON DBA10B 100/1.0A
14	*ED-349662	D SILICON DS135E-FA6 F10 100/1.0A
15	*ED-370052	D SILICON V 11DF1 F05 100/1.0A
16	ED-344244	D LED SLF601C AMBER
17	ED-301911	D SILICON H DS448
18	ED-344280	D SILICON H GMA-01-FY2 F05
19	ED-324014	D ZENER H HZ11 B1
20	ED-346611	D ZENER H HZ11 B3
21	ED-338561	D ZENER H HZ2FA F10 B2
22	ED-331626	D ZENER H HZ3 B2
23	ED-338332	D ZENER H HZ4 A2
24	ED-306010	D ZENER H HZ6 A2
25	ED-331617	D ZENER H HZ6 A3
26	ED-338559	D ZENER H HZ6 B1
27	ED-319187	D ZENER H HZ6 C3
28	ED-302295	D ZENER H HZ7 C3
29	ED-346609	D ZENER H HZ9 C1
30	*EF-359007	FUSE BET T 250V 1.25A [B]
31	*EF-358974	FUSE BET T 250V 630MA [B]
32	*EF-341263	FUSE GGS A 125V 1.25A [C,A]
33	*EF-602550	FUSE SEMKO T 250V 1.25A [U,E,S]
34	*EF-601942	FUSE SEMKO T 250V 630MA [U,E,S]
35	*EF-308847	FUSE TSC 125V 1.60A [C,A]
36	EH-369996	FILTER DB 42B-5141-00
37	EI-337568	HALL ELEMENT DHD-H070
38	EI-354822	IC AN6291 [GX-8 ONLY]
39	EI-370012	IC BA6805A
40	EI-370022	IC HA12090NT
41	EI-370011	IC HD6305 X0A74P CUSTOM
42	EI-336761	IC LA6458S
43	EI-343417	IC LB1294
44	EI-355602	IC LB1649
45	EI-337008	IC LC7800
46	EI-357498	IC M51143AL
47	EI-337228	IC M5218L
48	EI-362567	IC M5238L
49	EI-362588	IC M5238P
50	EI-355115	IC M5240P
51	EI-201940	IC NJM4558S
52	EI-331275	IC TC9142P [GX-8 ONLY]
53	EI-336992	IC UPC1043C [GX-6 ONLY]
54	EI-349372	OSC CE CSA4 00MG 4MHZ
55	EI-337123	OSC X'TAL 4.07010MHZ [GX-8 ONLY]
56	EM-370015	IND FL BG-383ZK
57	*ER-318647	R FUSE ERD2FC S10 1/4W 4R7J
58	*ER-200926	R FUSE ERD2FC S10 1/4W 27R0G
59	*ES-337902	SW PUSH SDLD1P 01-1
60	*ES-359606	SW SELECTOR BT-41S0454 01-4

Ref. No.	Part No.	Description
61	ES-336990	SW LEAF BSW-169 01-1 NO
62	ES-337427	SW MICRO SS-01-E
63	ES-370003	SW PUSH SPUY54 5 THROW [GX-8 ONLY]
64	ES-370004	SW PUSH SPUY44 4 THROW [GX-6 ONLY]
65	ES-370933	SW SLIDE SSSU 01-03N
66	ES-349474	SW TACT SKIHAM004A
67	ET-345480	TR 2SA1208 R,S,T
68	ET-348829	TR 2SA1209 S,T
69	ET-354841	TR 2SA1282A F,G F05
70	ET-370038	TR 2SC2910 S,T
71	ET-348831	TR 2SC2911 S,T
72	ET-357845	TR 2SC3242A F,G F05
73	ET-370913	TR 2SD1508
74	ET-345091	DETECTOR SPI-201-40 B.C
75	ET-356336	TR DTA114ES
76	ET-370017	TR DTA114YF
77	ET-370074	TR DTA123JF
78	ET-371075	TR DTA124XS
79	ET-354414	TR DTC144ES
80	ET-354897	TR FET 2SK170 BL.GRV
81	ET-308472	TR 2SA1115 E,F,G F05
82	ET-352726	TR 2SA1392 T,U
83	ET-370013	TR 2SA874 O,R
84	ET-337012	TR 2SA984K D,E
85	ET-337011	TR 2SC2274K D,E F05
86	ET-308977	TR 2SC2274K F F05
87	ET-349705	TR 2SC2320 E,F,G
88	ET-308141	TR 2SC2603 G F05
89	ET-357845	TR 2SC3242A F,G F05
90	ET-349081	TR 2SC3383 S,T
91	ET-349608	TR 2SC3383 T,U
92	ET-350795	TR 2SC3399 F05
93	ET-349366	TR 2SC3402 F05
94	ET-347961	TR 2SD1012-V G F05
95	EV-370008	VR ROTARY T2094 B202
96	EV-370005	VR ROTARY T2094 2 THROW A503
97	EV-370007	VR ROTARY T2094 2 THROW B103
98	EV-370006	VR ROTARY T2094 2 THROW 503MN
99	EV-337052	VR ROTARY 16L10XOR B103
100	HE-337837	HEAD E ES1005770
101	HR-H2405A010A	HEAD COMB RP4-10HG RP4-10HG
102	MB-336026	BELT CAPSTAN
103	MB-336021	BELT OPERATION
104	MI-336025	FLYWHEEL (B)
105	MP-336204	PINCH ROLLER (B)
106	MP-346329	PINCH ROLLER(C)

MECHA BLOCK



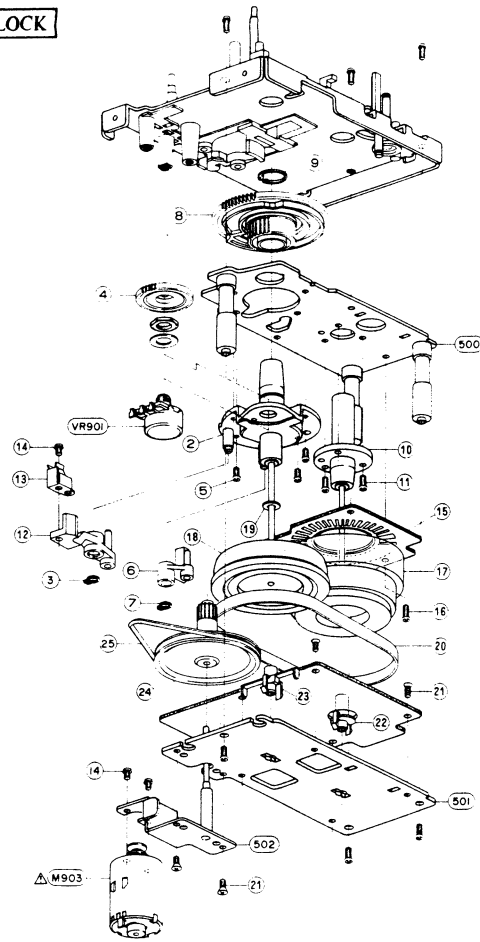
2. MECHA BLOCK

Ref. No.	Part No.	Description
2-1	BB-T2047A020D	MECHA BLK 2X-8
2-2	BH-T2047A060C	-EAD BLK 2X-8
2-3	ZG-336127	SP PUSH HEAD
2-4	ZS-608095	PAN20X05STL CMT
2-5	HZ-336132	ADJUST PLATE
2-6	ZS-477876	PAN20X03STL CMT
2-7	HZ-336129	GUIDE TAPE
2-8	ZW-618884	V20STL CVT 1
2-9	ZG-336130	SP PUSH CLUDE
2-10	HZ-343000	-HOLDER E -HEAD
2-11	ZS-201407	PAN23X03STL CMT
2-12	ZS-365189	ST PAN26X14STL CMT
2-13	ZS-499331	PAN23X05STL CMT
2-14	ZG-341972	SP PULL HEAD RETURN
2-15	ZS-310337	PAN20X08STL CMT
2-16	BZ-T2030A110A	OIL CLUTCH BLK GX-F51
2-17	ZW-270088	RING E190SUP CMT
2-18	ZG-341970	SP PULL OIL CLUTCH
2-19	BD-B365352-A	-D DECORATION -A) PART
2-20	*BM-T2030A120C	REEL MOTOR BLK GX-9
2-21	ZW-356166	N
2-22	SP-3361638	-D CASE:2
2-23	BL-T2030A160A	-LEVER BRAKE (A) BLK GX-F51
2-24	TC-336146	BRAKE RUBBER
2-25	BL-T2030A170A	-LEVER BRAKE (B) BLK GX-F51
2-26	ZG-336615	SP PLATE CASSETTE HOLDER (B)
2-27	TC-336605	-WIND IDLER ASSY
2-28	ZG-336140	SP TORSION IDLER
2-29	BR-T2069A360A	REEL TABLE BLK GX-9
2-30	BR-T2069A360A	REEL TABLE BLK GX-9
2-31	ZG-336141	SP PUSH BT
2-32	TC-336142	-HOLDER BT SP
2-33	ZW-330073	PW21X040X020 TOUGH LIGHT NO440
2-34	MT-305793	REEL CAP
2-35	BL-B336196	-LEVER BT PART
2-36	ZG-330078	SP T2-03.2 0.20-09.0 T2-038
2-37	ZG-312946	SP T1-03.2 0.29-16.0 T1-062
2-38	ZW-270088	RING E190SUP CMT
2-39	BL-B336150	ARM PINCH ROLLER (A) PART
2-40	MP-346329	PINCH ROLLER(C)
2-41	ZW-305546	PW21X040X025PSL
2-42	ZW-356657	RING E150SUP CMT
2-43	ZG-336175	SP PULL PINCH ROLLER (T)
2-44	ZG-321534	SP T2-03.2 0.29-12.5 T2-060
2-45	ZW-336603	RING GRIP 285SUP ACP
2-46	ZW-306464	PW31X070X050STL CMT
2-47	BL-B336202	ARM PINCH ROLLER (B) PART
2-48	MP-336204	PINCH ROLLER (B)
2-49	ZW-381644	PW21X040X013PSL
2-50	HZ-336205	GUIDE TAPE (B)
2-51	ZS-608095	PAN20X05STL CMT
2-52	ZG-336206	SP TORSION RETURN
2-53	ZW-618884	V20STL CMT 1
2-54	ZG-336208	SP PULL PINCH ROLLER (S)
2-55	MV-357208	BALL 200STL
2-56	ZG-336157	SP PLATE -EAD HOLD
2-57	ZS-342002	ST PAN26X16STL CMT
2-58	ML-336158	-LEVER DETECTION (B)
2-59	ML-336159	-LEVER DETECTION (A)
2-60	ZG-336160	SP PLATE CASSETTE HOLDER (A)
2-61	TC-336161	SLIDE EJECT
2-62	ZW-329422	RING CS 0300
2-63	SZ-336166	COLLAR LO

Ref. No.	Part No.	Description
2-M902	*BM-B336989	MOTOR REEL (PULLEY) PART
2-H901	HR-H2405A010A	HEAD COMB RP4-10HG RP4-10HG REC PB HEAD1
2-H902	HE-337837	HEAD E E51005770 EPASE HEAD
2-D901	ED-344244	D_LED SLF601C AMBER HC SING LED
2-SW901	ES-336990	SW_LEAF BSW-169 01-1 NO AN REC
2-SW902	ES-336990	SW_LEAF BSW-169 01-1 NO CP02 DETECTOR
2-SW903	ES-336990	SW_LEAF BSW-169 01-1 NO METAL DETECTOR
2-SW904	ES-337427	SW_LEAF BSW-169 01-1 NO LOADING SW1
2-PH1L	ET-345091	DETECTOR L PCB DETECTOR R PCB
2-PH1R	ET-345091	DETECTOR L PCB DETECTOR R PCB

NOTE: The parts reference numbered here except the ones in 500's are normally stocked for replacement purpose. The rest of the parts shown in this manual are not stocked since they are seldom required for routine service.

MOTOR BLM310B BLOCK



3. MOTOR BLM-310B BLOCK

Ref. No.	Part No.	Description
3-1	BM-M3104A010B	MOTOR BLM-310B
3-2	TC-B336004A	HOLDER CAPSTAN (C)-1 PART
3-3	ZW-653163	RING CS 280STL PKR
3-4	MZ-336005	GEAR POTENTIOM
3-5	ZS-432843	PAN26X04STL CMT
3-6	BL-B336007	LEVER BRAKE CAM PART
3-7	ZW-653163	RING CS 280STL PKR
3-8	MZ-336006	CAM WHEEL
3-9	ZW-336604	RING S930SUP ACP
3-10	TC-336002	HOLDER CAPSTAN (B)
3-11	ZS-479474	PAN26X05STL CMT
3-12	BL-B336009	LEVER EJECT CAM PART
3-13	ZG-336011	SP PLATE CAM LEVER
3-14	ZS-477876	PAN20X03STL CMT

Ref. No.	Part No.	Description
3-15	EA-336012	PC FG
3-16	ZS-479474	PAN26X05STL CMT
3-17	BF-B336024	FLYWHEEL (A) PART
3-18	MI-336025	FLYWHEEL (B)
3-19	ZW-309295	WASHER THRUST
3-20	MB-336026	BELT CAPSTAN
3-21	ZS-477887	CTS26X05STL CMT
3-22	TC-336016	HOLDER THRUST (A)
3-23	TC-336027	HOLDER THRUST (B)
3-24	MR-336019	PULLEY OPERATE
3-25	MB-336021	BELT OPERATION
3-VR901	EV-337052	VR ROTARY 16L10XR B103
3-M903	*BM-B345196	MOTOR OPERATION (PULLEY) PART

NOTE: The parts reference numbered here except the ones in 500's are normally stocked for replacement purpose. The rest of the parts shown in this manual are not stocked since they are seldom required for routine service.

4. P.C BOARD BLOCK

Ref. No.	Part No.	Description
4-1A	BA-T2094A020A	PC(=) PRE AMP BLK GX-8-S
4-1B	BA-T2094A020B	PC(=) PRE AMP BLK GX-6-S
4-2A	BA-T2094A030A	PC= SYSCON BLK GX-8-(SIU.J.C.A)
4-2B	BA-T2094A030B	PC(=) SYSCON BLK GX-8-(SIE.B.S)
4-2C	BA-T2094A030C	PC= SYSCON BLK GX-6-(SIU.J.C.A)
4-2D	BA-T2094A030D	PC(=) SYSCON BLK GX-6-(SIE.B.S)

PC PRE AMP BLK CONSISTS OF FOLLOWING P.C. BOARD.

- PRE AMP P.C. BOARD
- VR P.C. BOARD
- HEADPHONE P.C. BOARD

PC SYSCON BLK CONSISTS OF FOLLOWING P.C. BOARD.

- SYSCON (A) P.C. BOARD
- SYSCON (B) P.C. BOARD
- POWER SW P.C. BOARD
- SYSCON (C) P.C. BOARD
- dBX P.C. BOARD (GX-8 ONLY)

5. PRE-AMP P.C BOARD

Ref. No.	Part No.	Description
5-C101	EC-347400	C MC V F05 FE92 680J 500DC
5-C103	EC-365560	C PP V F05 CSF3 562J 125DC
5-C104	EC-347408	C MC V F05 FE92 101J 500DC
5-C105	EC-347263	C MC V F05 FM 221J 500DC
5-C109	EC-365560	C PP V F05 CSF3 562J 125DC
5-C151	EC-355434	C MMY V MKT 105K 100DC
5-C181	EC-355461	C MY V MKT 334K 100DC
5-C191	EC-365566	C PP V F05 CSF3 3301G 125DC
5-C194	EC-365568	C PP V F05 CSF3 4701G 125DC
5-C250	EC-347128	C MC V F05 FE92 470J 500DC
5-C253	EC-355434	C MMY V MKT 105K 100DC
5-C301	EC-362464	C EC V CUT AS1 222M 25.0DC
5-C311	EC-362464	C EC V CUT AS1 222M 25.0DC
5-C325	EC-365619	C EC V CUT AS1 102M 25DC
5-C375	EC-365559	C PP V F10 ECO-F 562J 630DC
5-C376	EC-337250	C PP V F10 ECO-F 102J 630DC
5-C377	EC-337250	C PP V F10 ECO-F 102J 630DC
5-C381	EC-347247	C MC V F05 FM 101J 500DC
5-C382	EC-347255	C MC V F05 FM 151J 500DC
5-C501	EC-365520	C EC V CUT AS1 472M 25.0DC
5-C502	EC-365520	C EC V CUT AS1 472M 25.0DC
5-C503	EC-365520	C EC V CUT AS1 472M 25.0DC
5-D201	ED-301911	D SILICON H DS448
5-D221	ED-337266	D ZEMER H HZ9 A1
5-D222	ED-337266	D ZEMER H HZ9 A1
5-D301	*ED-370052	D SILICON V 11DF1 F05 100 / 1.0A
5-D302	*ED-370052	D SILICON V 11DF1 F05 100 / 1.0A
5-D303	*ED-370052	D SILICON V 11DF1 F05 100 / 1.0A
5-D304	*ED-370052	D SILICON V 11DF1 F05 100 / 1.0A
5-D311	ED-306010	D ZEMER H HZ6 A2
5-D312	ED-306010	D ZEMER H HZ6 A2
5-D321	ED-302295	D ZEMER H HZ7 C3
5-D322	ED-302295	D ZEMER H HZ7 C3
5-D323	*ED-349662	D SILICON DS135E-FA6 F10 100 / 1.0A
5-D324	*ED-349662	D SILICON DS135E-FA6 F10 100 / 1.0A
5-D341	ED-301911	D SILICON H DS448
5-D342	ED-301911	D SILICON H DS448
5-D351	ED-301911	D SILICON H DS448
5-D352	ED-301911	D SILICON H DS448
5-D501	*ED-349662	D SILICON DS135E-FA6 F10 100 / 1.0A
5-D502	*ED-349662	D SILICON DS135E-FA6 F10 100 / 1.0A
5-D503	*ED-330319	D SILICON DBA108 100 / 1.0A
5-D504	*ED-349662	D SILICON DS135E-FA6 F10 100 / 1.0A
5-FL151	EH-369996	FILTER DB 42B-5141-00
5-FR301	*ER-318647	R FUSE ERD2FC S10 1 / 4W 4R7J
5-FR302	*ER-318647	R FUSE ERD2FC S10 1 / 4W 4R7J
5-FR311	*ER-318647	R FUSE ERD2FC S10 1 / 4W 4R7J
5-FR312	*ER-318647	R FUSE ERD2FC S10 1 / 4W 4R7J
5-FR351	*ER-200926	R FUSE ERD2FC S10 1 / 4W 27R0G
5-FR352	*ER-200926	R FUSE ERD2FC S10 1 / 4W 27R0G
5-IC101	EI-355115	IC M5240P
5-IC121	EI-362587	IC M5238L
5-IC131	EI-357498	IC M51143AL

Ref. No.	Part No.	Description
5-IC151	EI-370022	IC HA12090NT
5-IC221	EI-337228	IC M5218L
5-IC241	EI-362588	IC M5238P
5-J101	EJ-369994	PIN J T2094 4P
5-L151	EO-369997	COIL FIX 1 79-5248-13 363J
5-L152	EO-369997	COIL FIX 1 79-5248-13 363J
5-L241	EO-369998	COIL FIX 1 79-5250-13 103J
5-L242	EO-369999	COIL FIX 1 79-5249-13 542J
5-L371	EO-345920	COIL FIX 1 LA103KH 330K
5-L372	EO-345920	COIL FIX 1 LA103KH 330K
5-SW1A	ES-370003	SW PUSH SPUY54 5 THROW
5-SW1B	ES-370004	SW PUSH SPUY44 4 THROW
5-TR101	ET-349081	TR 2SC3383 S.T
5-TR102	ET-356336	TR DTA114ES
5-TR191	ET-349081	TR 2SC3383 S.T
5-TR192	ET-349081	TR 2SC3383 S.T
5-TR199	ET-349081	TR 2SC3383 S.T
5-TR201	ET-354897	TR FET 2SK170 BL GR.V
5-TR202	ET-354897	TR FET 2SK170 BL GR.V
5-TR203	ET-354414	TR DTC144ES
5-TR204	ET-354414	TR DTC144ES
5-TR221	*ET-370038	TR 2SC2910 S.T
5-TR222	*ET-345460	TR 2SA1208 R.S.T
5-TR241	ET-349081	TR 2SC3383 S.T
5-TR242	ET-349081	TR 2SC3383 S.T
5-TR243	ET-349081	TR 2SC3383 S.T
5-TR244	ET-349081	TR 2SC3383 S.T
5-TR245	ET-349081	TR 2SC3383 S.T
5-TR246	ET-349081	TR 2SC3383 S.T
5-TR247	ET-352726	TR 2SA1392 T.U
5-TR248	ET-349081	TR 2SC3383 S.T
5-TR301	*ET-370038	TR 2SC2910 S.T
5-TR302	ET-352726	TR 2SA1392 T.U
5-TR303	ET-349081	TR 2SC3383 S.T
5-TR304	ET-352726	TR 2SA1392 T.U
5-TR311	*ET-345460	TR 2SA1208 R.S.T
5-TR312	ET-349081	TR 2SC3383 S.T
5-TR313	ET-352726	TR 2SA1392 T.U
5-TR314	ET-349608	TR 2SC3383 T.U
5-TR321	*ET-348831	TR 2SC2911 S.T
5-TR322	*ET-348829	TR 2SA1209 S.T
5-TR341	ET-356336	TR DTA114ES
5-TR342	ET-356336	TR DTA114ES
5-TR343	ET-356336	TR DTA114ES
5-TR344	ET-356336	TR DTA114ES
5-TR345	ET-354414	TR DTC144ES
5-TR351	ET-353897	TR DTC114ES
5-TR352	ET-364080	TR DTC143ES
5-TR354	ET-357845	TR 2SC3242A F.G F05
5-TR355	ET-349705	TR 2SC2320 E.F.G
5-TR356	ET-353897	TR DTC114ES
5-TR357	ET-353897	TR DTC114ES
5-TR358	ET-353897	TR DTC114ES
5-TR359	ET-353897	TR DTC114ES
5-TR360	ET-349705	TR 2SC2320 E.F.G
5-TR361	ET-357845	TR 2SC3242A F.G F05
5-TR371	ET-308977	TR 2SC2274K F F05
5-TR372	ET-308977	TR 2SC2274K F F05
5-TR373	ET-308977	TR 2SC2274K F F05
5-TR374	ET-308977	TR 2SC2274K F F05
5-T371	EO-370000	COIL OSC 1 25-2755-22
5-T372	EO-370000	COIL OSC 1 25-2755-22
5-VR101	EV-330863	R S-FIX H SR19R 3P0.15W333
5-VR102	EV-338462	R S-FIX H VBK4-1111S1 3P 503
5-VR121	EV-370006	VR ROTARY T2094 2 THROW 503MM
5-VR122	EV-370005	VR ROTARY T2094 2 THROW A503
5-VR151	EV-337993	R S-FIX H RVFBP01 3P 203
5-VR241	EV-357837	R S-FIX H VBK4-1111S1 3P 104
5-VR351	EV-337992	R S-FIX H RVFBP01 3P 502
5-VR352	EV-344109	R S-FIX H RVFBP01 3P 102
5-VR353	EV-370008	VR ROTARY T2094 B202
5-VR371	EV-330531	R S-FIX H TMBK2-1S 3P0.50W503
5-F1A	*EF-601942	FUSE SEMKO T 250V 630MA U.E.S
5-F1B	*EF-341263	FUSE GGS A 125V 1.25A C.A
5-F1C	*EF-358974	FUSE BET T 250V 630MA B

Ref. No.	Part No.	Description
5-F2A	*EF-601942	FUSE SEMKO T 250V 630MA U.E.S
5-F2B	*EF-341263	FUSE GGS A 125V 1.25A C.A
5-F2C	*EF-358974	FUSE BET T 250V 630MA B
5-F3A	*EF-602550	FUSE SEMKO T 250V 1.25A U.E.S
5-F3B	*EF-308847	FUSE TSC 125V 1.60A C.A
5-F3C	*EF-359007	FUSE BET T 250V 1.25A B
5-F4A	*EF-602550	FUSE SEMKO T 250V 1.25A U.E.S
5-F4B	*EF-308847	FUSE TSC 125V 1.60A C.A
5-F4C	*EF-359007	FUSE BET T 250V 1.25A B

6. SYSCON (A) P.C BOARD

Ref. No.	Part No.	Description
6-C44	EC-201645	C EC V CUT AS1 222M 6.3DC
6-D1	ED-344280	D SILICON H GMA-01-FY2 F05
6-D2	ED-344280	D SILICON H GMA-01-FY2 F05
6-D3	ED-344280	D SILICON H GMA-01-FY2 F05
6-D4	ED-344280	D SILICON H GMA-01-FY2 F05
6-D5	ED-344280	D SILICON H GMA-01-FY2 F05
6-D6	ED-344280	D SILICON H GMA-01-FY2 F05
6-D7	ED-331617	D ZENER H HZ6 A3
6-D8	ED-338332	D ZENER H HZ4 A2
6-D9	ED-331626	D ZENER H HZ3 B2
6-D10	ED-346611	D ZENER H HZ11 B3
6-D11	ED-346609	D ZENER H HZ9 C1
6-D12	ED-319167	D ZENER H HZ6 C3
6-D13	ED-324014	D ZENER H HZ11 B1
6-D14	ED-324014	D ZENER H HZ11 B1
6-D15	ED-319167	D ZENER H HZ6 C3
6-D16	ED-344280	D SILICON H GMA-01-FY2 F05
6-D17	ED-344280	D SILICON H GMA-01-FY2 F05
6-D18	ED-344280	D SILICON H GMA-01-FY2 F05
6-D19	ED-344280	D SILICON H GMA-01-FY2 F05
6-D20	ED-344280	D SILICON H GMA-01-FY2 F05
6-D21	ED-344280	D SILICON H GMA-01-FY2 F05
6-D22	ED-349662	D SILICON DS135E-FA6 F10 100/1.0A
6-D23	ED-349662	D SILICON DS135E-FA6 F10 100/1.0A
6-D24	ED-338559	D ZENER H HZ6 B1
6-D25	ED-306010	D ZENER H HZ6 A2
6-D26	ED-344280	D SILICON H GMA-01-FY2 F05
6-D27	ED-344280	D SILICON H GMA-01-FY2 F05
6-D28	ED-344280	D SILICON H GMA-01-FY2 F05
6-D29	ED-344280	D SILICON H GMA-01-FY2 F05
6-D30	ED-344280	D SILICON H GMA-01-FY2 F05
6-D31	ED-344280	D SILICON H GMA-01-FY2 F05
6-D32	ED-344280	D SILICON H GMA-01-FY2 F05
6-D33	ED-344280	D SILICON H GMA-01-FY2 F05
6-D34	ED-344280	D SILICON H GMA-01-FY2 F05
6-D35	ED-344280	D SILICON H GMA-01-FY2 F05
6-B1	EH-370020	COMP R RKC12DS103J
6-B2	EH-366604	COMP R RKC7B 473J
6-B3	EH-370021	COMP R RKC14DS682J
6-IC1	EI-370011	IC HD6305 XOA74P CUSTOM
6-IC2	EI-336761	IC LA6458S
6-IC3	EI-336761	IC LA6458S
6-IC4	EI-355602	IC LB1649
6-IC5	EI-337008	IC LC7800
6-IC6	EI-331275	IC TC9142P
		[GX-8 ONLY]
6-IC7	EI-336761	IC LA6458S
		[GX-8 ONLY]
6-IC8	EI-336992	IC UPC1043C
		[GX-6 ONLY]

Ref. No.	Part No.	Description
6-TR1	ET-350795	TR 25C3399 F05
6-TR2	ET-350795	TR 25C3399 F05
6-TR3	ET-349366	TR 25C3402 F05
6-TR4	ET-354415	TR DTA144ES
6-TR5	ET-354415	TR DTA144ES
6-TR6	ET-371075	TR DTA124XS
6-TR7	ET-371075	TR DTA124XS
6-TR8	ET-350795	TR 25C3399 F05
6-TR9	ET-354415	TR DTA144ES
6-TR10	ET-350795	TR 25C3399 F05
6-TR11	ET-350795	TR 25C3399 F05
6-TR12	ET-350795	TR 25C3399 F05
6-TR14	ET-350795	TR 25C3399 F05
6-TR15	ET-347961	TR 2SD1012-V G F05
6-TR16	ET-347961	TR 2SD1012-V G F05
6-TR17	ET-347961	TR 2SD1012-V G F05
6-TR18	ET-347961	TR 2SD1012-V G F05
6-TR19	ET-347961	TR 2SD1012-V G F05
6-TR20	ET-354415	TR DTA144ES
6-TR21	ET-357845	TR 25C3242A F.G F05
6-TR22	ET-308141	TR 25C2603 G F05
6-TR23	ET-350795	TR 25C3399 F05
6-TR24	ET-350795	TR 25C3399 F05
6-TR25	ET-350795	TR 25C3399 F05
6-TR26	ET-308141	TR 25C2603 G F05
		[GX-8 ONLY]
6-TR27	ET-308141	TR 25C2603 G F05
		[GX-6 ONLY]
6-TR28	ET-308141	TR 25C2603 G F05
6-TR29	ET-308141	TR 25C2603 G F05
6-TR30	ET-349366	TR 25C3402 F05
6-TR31	ET-349366	TR 25C3402 F05
6-TR32	ET-349366	TR 25C3402 F05
6-TR33	ET-349366	TR 25C3402 F05
6-TR34	ET-308472	TR 2SA1115 E.F.G F05
6-TR35	ET-308472	TR 2SA1115 E.F.G F05
6-TR36	*ET-370913	TR 2SD1508
6-TR37	*ET-357845	TR 25C3242A F.G F05
6-TR38	*ET-354841	TR 2SA1282A F.G F05
6-TR39	ET-308141	TR 25C2603 G F05
6-TR40	ET-308472	TR 2SA1115 E.F.G F05
6-TR41	ET-308472	TR 2SA1115 E.F.G F05
6-VR2	EV-337996	R S-FIX H RVF8P01 3P 104
6-VR3	EV-337992	R S-FIX H RVF8P01 3P 502
6-VR4	EV-337996	R S-FIX H RVF8P01 3P 104
6-VR5	EV-337992	R S-FIX H RVF8P01 3P 502
6-X1	EI-349372	OSC CE C5A4.00MG 4MHZ
6-X2	EI-337123	OSC X'TAL 4.07010MHZ
		[GX-8 ONLY]

7. SYSCON (B) P.C BOARD

Ref. No.	Part No.	Description
7-D201	ED-344280	D SILICON H GMA-01-FY2 F05
7-D202	ED-344280	D SILICON H GMA-01-FY2 F05
7-D203	ED-344280	D SILICON H GMA-01-FY2 F05
7-D204	ED-344280	D SILICON H GMA-01-FY2 F05
7-D205	ED-344280	D SILICON H GMA-01-FY2 F05
7-B201	EH-367224	COMP R RKC1 8B12 473J
7-B202	EH-370077	COMP R RKC1 8B14 473J
7-B203	EH-370076	COMP R RKC1 8B11 473J
7-C201	EI-370012	IC BA6805A
7-C202	EI-343417	IC LB1294
7-C203	EI-343417	IC LB1294
7-C204	EI-343417	IC LB1294
7-IN201	EM-370015	IND FL BG-3832K
7-TR201	ET-370013	TR 2SA874 Q.R
7-TR202	ET-370074	TR DTA123JF
7-TR203	ET-370017	TR DTA114YF
7-TR204	ET-370017	TR DTA114YF
7-TR205	ET-370017	TR DTA114YF
7-TR206	ET-370017	TR DTA114YF
7-TR207	ET-370017	TR DTA114YF
7-TR208	ET-370017	TR DTA114YF
7-TR209	ET-370074	TR DTA123JF
7-TR210	ET-370017	TR DTA114YF
7-TS201	ES-349474	SW TACT SKHHAM004A
7-TS202	ES-349474	SW TACT SKHHAM004A
7-TS203	ES-349474	SW TACT SKHHAM004A
7-TS204	ES-349474	SW TACT SKHHAM004A
7-TS205	ES-349474	SW TACT SKHHAM004A
7-TS206	ES-349474	SW TACT SKHHAM004A
7-TS207	ES-349474	SW TACT SKHHAM004A
7-TS208	ES-349474	SW TACT SKHHAM004A
7-TS209	ES-349474	SW TACT SKHHAM004A
7-TS210	ES-349474	SW TACT SKHHAM004A
7-TS211	ES-349474	SW TACT SKHHAM004A
7-VR1	EV-330531	R S-FIX H TMBK2V-1S 3P.50W503
		GX-6 ONLY

8. MOTOR P.C BOARD

Ref. No.	Part No.	Description
8-D5	ED-338561	D ZENER H HZ2FA F10 B2
8-IC1	EI-201940	IC NJM4558S
8-IC2	EI-201940	IC NJM4558S
8-IC3	EI-337568	HALL ELEMENT DHD-H070
8-IC4	EI-337568	HALL ELEMENT DHD-H070
8-TR1	ET-337011	TR 25C2274K D.E F05
8-TR2	ET-337012	TR 2SA984K D.E
8-TR3	ET-337011	TR 25C2274K D.E F05
8-TR4	ET-337012	TR 2SA984K D.E
8-VR1	EV-464253	R S-FIX V 9K1-1 3P 202
8-VR2	EV-464253	R S-FIX V 9K1-1 3P 202

9. POWER SW P.C BOARD

Ref. No.	Part No.	Description
9-C501	*EC-320548	C CE V F 103Z 250AC U.C.A
9-C501A	*EC-338411	C CE V F 103P 400AC E.B.S
9-SW501	*ES-337902	SW PUSH SLDL1P 01-1

10. SYSCON (C) P.C BOARD

Ref. No.	Part No.	Description
10-SW301	ES-370933	SW SLIDE SSSU 01 03N

11. VR P.C BOARD

Ref. No.	Part No.	Description
11-VR201	EV-370007	VR ROTARY T2094 2 THRU W B103

12. HEADPHONE P.C BOARD

Ref. No.	Part No.	Description
12-J221A	EJ-369995	PHONE J 3P HLJ0540-410 63 GP
12-J221B	EJ-348846	PHONE J 3P HLJ0540-010 63

13. DBX P.C BOARD (GX-8 ONLY)

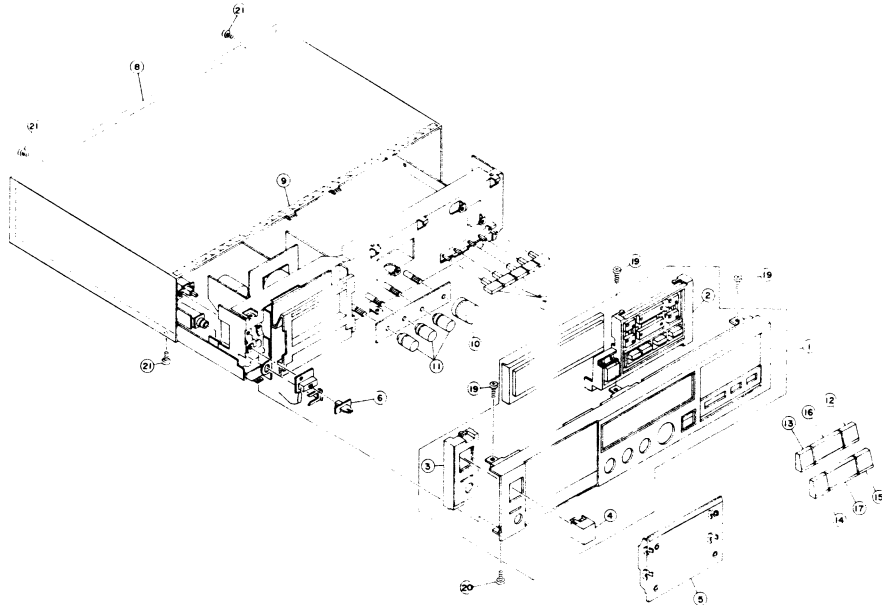
Ref. No.	Part No.	Description
13-D401	ED-344280	D SILICON H GMA-01-FY2 F05
13-D441	ED-344280	D SILICON H GMA-01-FY2 F05
13-IC401	EI-354822	IC AN6291
13-IC402	EI-362588	IC M5238P
13-IC403	EI-354822	IC AN6291
13-IC404	EI-362588	IC M5238P
13-TR401	ET-349081	TR 25C3383 S.T
13-TR441	ET-349081	TR 25C3383 S.T
13-TR442	ET-349081	TR 25C3383 S.T
13-TR491	ET-349081	TR 25C3383 S.T
13-TR492	ET-349081	TR 25C3383 S.T
13-VR401	EV-366846	R S-FIX V RVR8W01 3P 202
13-VR441	EV-366846	R S-FIX V RVR8W01 3P 202

14. ASSEMBLY BLOCK

Ref. No.	Part No.	Description
14-1	ZS-313796	ST B040X065TL CMT [POWER TRANS FIX] RV NYL30X080 BL [U]
14-2	ZW-241200	PANEL REAR GX-8 (U)
14-3A	SP-369963F	PANEL REAR GX-8 (C.A)
14-3B	SP-369963H	PANEL REAR GX-8 (E.V)
14-3C	SP-369963J	PANEL REAR GX-8 (B.S)
14-3D	SP-369963K	PANEL REAR GX-6 (U)
14-3E	SP-369963A	PANEL REAR GX-6 (I)
14-3F	SP-369963C	PANEL REAR GX-6 (C.A)
14-3G	BD-369963D	PANEL REAR GX-6 (E.V)
14-3H	SP-369963E	PANEL REAR GX-6 (B.S)
14-4	ZS-447761	T2BR30X065TL BNI [REAR PANEL FIX] AC CORD 2C VM-0129A.VFF U. T [U]
14-5A	*EW-374894	AC CORD 2C CORES KP-8.SPT-2 UC [C.A]
14-5B	*EW-352237	AC CORD 2C CORES KP-8.SPT-2 UC [C.A]
14-5C	*EW-336923	AC CORD 2C KP-419C.LTCE-2F EV [E]
14-5D	*EW-346249	AC CORD 2C CORES LCLF2X05 B [B]
14-5E	*EW-347898	AC CORD 2C CORES VM-0436.LCFL S [S]
14-6	*EZ-631945	STRAIN RELIEF SR-4N-4
14-7	SA-B369350A1	FOOT PART
14-8	ZS-354055	ST BR30X125TL CMT [FOOT FIX]
14-T501A	*BT-369965	TRANS POWER T2094(U)
14-T501B	*BT-369968	TRANS POWER T2094(A.C)
14-T501C	*BT-369969	TRANS POWER T2094 (E)
14-T501D	*BT-369970	TRANS POWER T2094(B.S)
14-SW502	*ES-359606	SW SELECTOR 8T 41S0454.01 4 [U]

INDEX

FINAL ASSEMBLY BLOCK



15. FINAL ASSEMBLY BLOCK

Ref. No.	Part No.	Description
15-1A	BD-T2094A040A	PANEL FRONT BLK GX-8-S
15-1A-B	BD-T2094A040B	PANEL FRONT BLK GX-8-B
15-1B	BD-T2094A040C	PANEL FRONT BLK GX-6-S
15-1B-B	BD-T2094A040D	PANEL FRONT BLK GX-6-B
15-2	SK-369362A	KNOB OPERATE
15-2-B	SK-369362B	KNOB OPERATE-B
15-3	SE-369363A	ESCUTCHEON SIDE
15-3-B	SE-369363B	ESCUTCHEON SIDE-B
15-4	SK-343017F	KNOB POWER (4)
15-4-B	SK-343017G	KNOB POWER-B
15-5A	BD-T2094A050C	LID PANEL BLK GX-8-S
15-5A-B	BD-T2094A050D	LID PANEL BLK GX-8-B
15-5B	BD-T2094A050A	LID PANEL BLK GX-6-S
15-5B-B	BD-T2094A050B	LID PANEL BLK GX-6-B
15-6	SK-358066D	KNOB SLIDE(S)
15-6-B	SK-358066B	KNOB SLIDE-B
15-7	SK-369357A	KNOB PUSH
15-7-B	SK-369357B	KNOB PUSH-B
15-8	SP-343024C	COVER UPPER (3)
15-8-B	SP-343024D	COVER UPPER (4)
15-9	SZ-371657	CUSHION COVER (UPPER)

Ref. No. Part No. Description

15-10	SK-369359A	KNOB REC
15-10-B	SK-369359B	KNOB REC B
15-11	SK-B370288X1	KNOB VR PART
15-11-B	SK-B370288X2	KNOB VR-B PART
15-12	SK-369355A	KNOB FF
15-12-B	SK-369355B	KNOB FF-B
15-13	SK-369355C	KNOB REW
15-13-B	SK-369355D	KNOB REW-B
15-14	SK-369355E	KNOB PAUSE
15-14-B	SK-369355F	KNOB PAUSE-B
15-15	SK-369355G	KNOB MUTE
15-15-B	SK-369355H	KNOB MUTE-B
15-16	SK-369355J	KNOB PLAY
15-16-B	SK-369355K	KNOB PLAY-B
15-17	SK-369355L	KNOB STOP
15-17-B	SK-369355M	KNOB STOP-B
15-18X	AX-356899	CORD OFC N/P
15-19	ZS-320906	ST BR30X06STL CMT
15-20	ZS-354459	ST CT530X06STL N/3
15-21	ZS-447761	T2BR30X06STL BNI

Note: SYMBOL FOR COLOR VARIATION
NON : SILVER
B : BLACK

Part No.	Ref. No.	Part No.	Ref. No.	Part No.	Ref. No.	Part No.	Ref. No.
AX-356899	15-18X	ED-301911	5-D351	EF-308847	5-F4B	EO-369998	5-L241
BA-T2094A020A	4-1A	ED-301911	5-D352	EF-341263	32	EO-369999	5-L242
BA-T2094A020B	4-1B	ED-302295	28	EF-341263	5-F1B	EO-370000	5-T371
BA-T2094A030A	4-2A	ED-302295	5-D321	EF-341263	5-F2B	EO-370002	5-T372
BA-T2094A030B	4-2B	ED-302295	5-D322	EF-358974	31	ER-200926	58
BA-T2094A030C	4-2C	ED-306010	24	EF-358974	5-F1C	ER-200926	5-FR351
BA-T2094A030D	4-2D	ED-306010	5-D311	EF-358974	5-F2C	ER-200826	5-FR352
BB-T2047A020D	2-1	ED-306010	5-D312	EF-359007	30	ER-318647	57
BD-B365352-A	2-19	ED-306010	6-D25	EF-359007	5-F3C	ER-318647	5-FR301
BD-T2094A040A	15-1A	ED-319167	27	EF-359007	5-F4C	ER-318647	5-FR302
BD-T2094A040B	15-1A-B	ED-319167	6-D12	EF-601942	34	ER-318647	5-FR311
BD-T2094A040C	15-1B	ED-319167	6-D15	EF-601942	5-F1A	ER-318647	5-FR312
BD-T2094A040D	15-1B-B	ED-324014	19	EF-601942	5-F2A	ES-336990	61
BD-T2094A050C	15-5A	ED-324014	6-D13	EF-602550	33	ES-336990	2-SW901
BD-T2094A050A	15-5B	ED-324014	6-D14	EF-602550	5-F3A	ES-336990	2-SW902
BD-T2094A050B	15-5B-B	ED-330319	13	EF-602550	5-F4A	ES-336990	2-SW903
BD-T2094A050D	15-5A-B	ED-330319	5-D503	EH-367224	6-B2	ES-337427	62
BD-369963D	14-3G	ED-331617	25	EH-367224	7-B201	ES-337427	2-SW904
BF-B336024	1	ED-331617	6-D7	EH-369996	36	ES-337902	59
BF-B336024	3-17	ED-331626	22	EH-369996	5-FL151	ES-337902	9-SW501
BH-T2047A060C	2	ED-331626	6-D8	EH-370020	6-B1	ES-349474	66
BH-T2047A060C	2-2	ED-337266	5-D221	EH-370021	6-B3	ES-349474	7-TS201
BL-B336007	3-6	ED-337266	5-D222	EH-370076	7-B203	ES-349474	7-TS202
BL-B336009	3-12	ED-338332	23	EH-370077	7-B202	ES-349474	7-TS203
BL-B336150	2-39	ED-338332	6-D8	EI-201940	51	ES-349474	7-TS204
BL-B336196	2-35	ED-338559	26	EI-201940	8-IC1	ES-349474	7-TS205
BL-B336202	2-47	ED-338559	6-D24	EI-201940	8-IC2	ES-349474	7-TS206
BL-T2030A160A	2-23	ED-338561	21	EI-331275	52	ES-349474	7-TS207
BL-T2030A170A	2-25	ED-338561	8-D5	EI-331275	6-IC6	ES-349474	7-TS208
BM-B336989	5	ED-344244	16	EI-336761	42	ES-349474	7-TS209
BM-B336989	2-M902	ED-344244	2-D901	EI-336761	6-IC2	ES-349474	7-TS210
BM-B345196	4	ED-344280	18	EI-336761	6-IC3	ES-349474	7-TS211
BM-B345196	3-M903	ED-344280	6-D1	EI-336761	6-IC7	ES-359606	60
BM-M3104A010B	3	ED-344280	6-D2	EI-336992	53	ES-359606	14-SW502
BM-M3104A010B	3-1	ED-344280	6-D3	EI-336992	6-IC8	ES-370003	63
BM-T2030A120C	6	ED-344280	6-D4	EI-337008	45	ES-370003	5-SW1A
BM-T2030A120C	2-20	ED-344280	6-D5	EI-337008	6-IC5	ES-370004	64
BR-T2069A360A	7	ED-344280	6-D6	EI-337123	55	ES-370004	5-SW1B
BR-T2069A360A	2-29	ED-344280	6-D16	EI-337123	6-X2	ES-370933	65
BR-T2069A360A	2-30	ED-344280	6-D17	EI-337228	47	ES-370933	10-SW301
BT-337226	12	ED-344280	6-D18	EI-337228	5-IC221	ET-308141	88
BT-369965	11	ED-344280	6-D19	EI-337568	37	ET-308141	6-TR22
BT-369965	14-T501A	ED-344280	6-D20	EI-337568	8-IC3	ET-308141	6-TR26
BT-369968	9	ED-344280	6-D21	EI-337568	8-IC4	ET-308141	6-TR27
BT-369968	14-T501B	ED-344280	6-D26	EI-343417	43	ET-308141	6-TR28
BT-369969	8	ED-344280	6-D27	EI-343417	7-IC202	ET-308141	6-TR29
BT-369969	14-T501C	ED-344280	6-D28	EI-343417	7-IC203	ET-308141	6-TR39
BT-369970	10	ED-344280	6-D29	EI-343417	7-IC204	ET-308472	91
BT-369970	14-T501D	ED-344280	6-D30	EI-349372	54	ET-308472	6-TR34
BZ-T2030A110A	2-16	ED-344280	6-D31	EI-349372	6-X1	ET-308472	6-TR35
EA-336012	3-15	ED-344280	6-D32	EI-354822	38	ET-308472	6-TR40
EC-201645	6-C44	ED-344280	6-D33	EI-354822	13-IC401	ET-308472	6-TR41
EC-320548	9-C501	ED-344280	6-D34	EI-354822	13-IC403	ET-308977	86
EC-337250	5-C376	ED-344280	6-D35	EI-355115	50	ET-308977	5-TR371
EC-337250	5-C377	ED-344280	7-D201	EI-355115	5-IC101	ET-308977	5-TR372
EC-338411	9-C501A	ED-344280	7-D202	EI-355602	44	ET-308977	5-TR373
EC-347128	5-C250	ED-344280	7-D203	EI-355602	6-IC4	ET-308977	5-TR374
EC-347247	5-C381	ED-344280	7-D204	EI-357498	46	ET-337011	85
EC-347255	5-C382	ED-344280	7-D205	EI-357498	5-IC131	ET-337011	8-TR1
EC-347263	5-C105	ED-344280	13-D401	EI-362587	48	ET-337011	8-TR3
EC-347400	5-C101	ED-344280	13-D441	EI-362587	5-IC121	ET-337012	84
EC-347408	5-C104	ED-346609	29	EI-362588	49	ET-337012	8-TR2
EC-355434	5-C151	ED-346609	6-D11	EI-362588	5-IC241	ET-337012	8-TR4
EC-355434	5-C253	ED-346611	20	EI-362588	13-IC402	ET-345091	74
EC-355461	5-C181	ED-346611	6-D10	EI-362588	13-IC404	ET-345091	2-PH1L
EC-362464	5-C301	ED-349662	14	EI-370011	41	ET-345091	2-PH1R
EC-362464	5-C311	ED-349662	5-D323	EI-370011	6-IC1	ET-345460	67
EC-365520	5-C501	ED-349662	5-D324	EI-370012	39	ET-345460	5-TR222
EC-365520	5-C502	ED-349662	5-D501	EI-370012	7-IC201	ET-345460	5-TR311
EC-365520	5-C503	ED-349662	5-D502	EI-370022	40	ET-347961	94
EC-365559	5-C375	ED-349662	5-D504	EI-370022	5-IC151	ET-347961	6-TR15
EC-365560	5-C103	ED-349662	6-D22	EJ-348846	12-J221B	ET-347961	6-TR16
EC-365560	5-C109	ED-349662	6-D23	EJ-369994	5-J101	ET-347961	6-TR17
EC-365566	5-C191	ED-370052	15	EJ-369995	12-J221A	ET-347961	6-TR18
EC-365568	5-C194	ED-370052	5-D301	EM-370015	56	ET-347961	6-TR19
EC-365619	5-C325	ED-370052	5-D302	EM-370015	7-IN201	ET-348829	68
ED-301911	17	ED-370052	5-D303	EO-345920	5-L371	ET-348829	5-TR322
ED-301911	5-D201	ED-370052	5-D304	EO-345920	5-L372	ET-348831	71
ED-301911	5-D341	EF-308847	35	EO-369997	5-L151	ET-348831	5-TR321
ED-301911	5-D342	EF-308847	5-F38	EO-369997	5-L152	ET-349081	90

INDEX

Part No.	Ref No.	Part No.	Ref No.	Part No.	Ref No.	Part No.	Ref No.
ET-349081	5-TR101	ET-370017	7-TR205	SK-358065B	15-6-B	ZW-309295	3-19
ET-349081	5-TR121	ET-370017	7-TR206	SK-358065D	15-6	ZW-329422	2-62
ET-349081	5-TR132	ET-370017	7-TR207	SK-369355A	15-12	ZW-330073	2-33
ET-349081	5-TR241	ET-370017	7-TR208	SK-369355B	15-12-B	ZW-336603	2-45
ET-349081	5-TR242	ET-370017	7-TR210	SK-369355C	15-13	ZW-336604	3-9
ET-349081	5-TR243	ET-370038	70	SK-369355D	15-13-B	ZW-356166	2-21
ET-349081	5-TR244	ET-370038	5-TR221	SK-369355E	15-14	ZW-356657	2-42
ET-349081	5-TR245	ET-370038	5-TR301	SK-369355F	15-14-B	ZW-381644	2-49
ET-349081	5-TR246	ET-370074	77	SK-369355G	15-15	ZW-618884	2-8
ET-349081	5-TR248	ET-370074	7-TR202	SK-369355H	15-15-B	ZW-618884	2-53
ET-349081	5-TR303	ET-370074	7-TR209	SK-369355J	15-16	ZW-653163	3-3
ET-349081	5-TR312	ET-370913	73	SK-369355K	15-16-B	ZW-653163	3-7
ET-349081	13-TR441	ET-371075	6-TR36	SK-369355L	15-17		
ET-349081	13-TR441	ET-371075	78	SK-369355M	15-17-B		
ET-349081	13-TR442	ET-371075	6-TR6	SK-369357A	15-7		
ET-349081	13-TR491	ET-371075	6-TR7	SK-369357B	15-7-B		
ET-349081	13-TR492	EV-330531	5-VR371	SK-369359A	15-10		
ET-349366	93	EV-330531	7-VR1	SK-369359B	15-10-B		
ET-349366	6-TR3	EV-330863	5-VR101	SK-369362A	15-2		
ET-349366	6-TR30	EV-337052	99	SK-369362B	15-2-B		
ET-349366	6-TR31	EV-337052	3-VR901	SP-336163B	2-22		
ET-349366	6-TR32	EV-337992	5-VR351	SP-343024C	15-8		
ET-349366	6-TR33	EV-337992	6-VR3	SP-343024D	15-8-B		
ET-349608	91	EV-337992	6-VR5	SP-369963A	14-3E		
ET-349608	5-TR314	EV-337993	5-VR151	SP-369963C	14-3F		
ET-349705	87	EV-337996	6-VR2	SP-369963E	14-3H		
ET-349705	5-TR355	EV-337996	6-VR4	SP-369963F	14-3A		
ET-349705	5-TR360	EV-338462	5-VR102	SP-369963H	14-3B		
ET-350795	92	EV-344109	5-VR352	SP-369963J	14-3C		
ET-350795	6-TR1	EV-357837	5-VR241	SP-369963K	14-3D		
ET-350795	6-TR2	EV-368846	13-VR401	SZ-336166	2-63		
ET-350795	6-TR6	EV-368846	13-VR441	SZ-371657	15-9		
ET-350795	6-TR10	EV-370005	98	TC-8338004A	3-2		
ET-350795	6-TR11	EV-370005	5-VR122	TC-336002	3-10		
ET-350795	6-TR12	EV-370006	98	TC-336016	3-22		
ET-350795	6-TR14	EV-370006	5-VR121	TC-336027	3-23		
ET-350795	6-TR23	EV-370007	97	TC-336142	3-22		
ET-350795	6-TR24	EV-370007	11-VR201	TC-336146	2-24		
ET-350795	6-TR25	EV-370008	95	TC-336161	2-61		
ET-352726	82	EV-370008	5-VR353	TC-336605	2-27		
ET-352726	5-TR247	EV-464253	8-VR1	ZG-312946	2-37		
ET-352726	5-TR302	EV-464253	8-VR2	ZG-321534	2-44		
ET-352726	5-TR304	EW-336923	14-5C	ZG-330079	2-36		
ET-352726	5-TR313	EW-346249	14-5D	ZG-336011	3-13		
ET-353897	5-TR351	EW-347898	14-5E	ZG-336127	2-3		
ET-353897	5-TR356	EW-352237	14-5B	ZG-336130	2-9		
ET-353897	5-TR357	EW-374894	14-5A	ZG-336140	2-28		
ET-353897	5-TR358	EZ-631945	14-6	ZG-336141	2-31		
ET-353897	5-TR359	HE-337837	100	ZG-336157	2-56		
ET-354414	79	HE-337837	2-H902	ZG-336160	2-60		
ET-354414	5-TR203	HR-H2405A010A	101	ZG-336175	2-43		
ET-354414	5-TR204	HR-H2405A010A	2-H901	ZG-336206	2-52		
ET-354414	5-TR345	HZ-336129	2-7	ZG-336208	2-54		
ET-354415	6-TR4	HZ-336132	2-5	ZG-336615	2-26		
ET-354415	6-TR5	HZ-336205	2-50	ZG-341970	2-18		
ET-354415	6-TR9	HZ-343000	2-10	ZG-341972	2-14		
ET-354415	6-TR20	MB-336021	103	ZS-201407	2-11		
ET-354841	69	MB-336021	3-25	ZS-310337	2-15		
ET-354841	6-TR38	MB-336026	102	ZS-313796	14-1		
ET-354897	80	MB-336026	3-20	ZS-320906	15-19		
ET-354897	5-TR201	MI-336025	104	ZS-342002	2-57		
ET-354897	5-TR202	MI-336025	3-18	ZS-354055	14-8		
ET-356336	75	ML-336158	2-58	ZS-354459	15-20		
ET-356336	5-TR102	ML-336159	2-59	ZS-365189	2-12		
ET-356336	5-TR341	MP-336204	105	ZS-432843	3-5		
ET-356336	5-TR342	MP-336204	2-48	ZS-447761	14-4		
ET-356336	5-TR343	MP-346329	106	ZS-447761	15-21		
ET-356336	5-TR344	MP-346329	2-40	ZS-477876	2-6		
ET-357845	72	MR-336019	3-24	ZS-477876	3-14		
ET-357845	89	MT-305793	2-34	ZS-477887	3-21		
ET-357845	5-TR354	MV-357208	2-55	ZS-479474	3-11		
ET-357845	5-TR361	MZ-336005	3-4	ZS-479474	3-16		
ET-357845	6-TR21	MZ-336006	3-8	ZS-489331	2-13		
ET-357845	6-TR37	SA-8369350A1	14-7	ZS-608095	2-4		
ET-364060	5-TR352	SE-369363A	15-3	ZS-608095	2-51		
ET-370013	83	SE-369363B	15-3-B	ZW-241200	14-2		
ET-370013	7-TR201	SK-8370288X1	15-11	ZW-270088	2-17		
ET-370017	76	SK-8370288X2	15-11-B	ZW-270088	2-38		
ET-370017	7-TR203	SK-343017F	15-4-B	ZW-305546	2-41		
ET-370017	7-TR204	SK-343017G	15-4	ZW-306464	2-46		

ABBREVIATIONS FOR SERVICE MANUAL (CASSETTE)

Abbreviation	Explanation	Abbreviation	Explanation
AC	Alternating Current	MICOM	MicroCOMputer
A/D	Analog Digital	MIN	MINute
AF	Auto Fader	MML	Maximum Modulation Level
A.M	Auto Mute	MOL	Maximum Output Level
AMP	AMPlifier	MPX	Multi Plex
AR	Anti Recording	NC	Not Connected (No Connection)
AT BIAS	Auto Tuning BIAS	NFB	Negative Feed Back
ATT	ATTenuator	NORM	NORMal
BAL	BALance	NR	Noise Reduction
BEF	Band Elimination Filter	OSC	OSCillator (OSCillation)
BSS	Blank Search System	P	Pulse
BSPS	Blank Skip Play System	PB	Play Back
CAP M	CAPsTan Motor	QMSS	Quick Memory Search System
CH	CHannel	QR	Quick Reverse
COMP	COMParator	R CH	Right CHannel
CONT	CONTinuance	REC	RECord (RECording)
CRLP	Computer Recording Level Processing	REV	REVerse
CS	Chip Select	ROT	ROTation
D/A	Digital Analog	REW	REWind
DC	Direct Current	SEC	SECond
DET	DETEctor	SELE	SELEctor
DISCRI	DISCRIminator	SENS	SENSitivity
DUB	DUBbing	SEPP	Single Ended Push Pull
EQ	Equalizer	SIG	SIGnal
FF(or F.FWD)	Fast Forward	SPECT	SPECTrum
FLD	FLuorescent Display	STD	STanDard
FREQ	FREQuency	SW	SWitch
FWD	ForWarD	SYSCON	SYStem CONtrol
GND	GrouND	TP	Test Point
H	High	TRIG	TRIGa
HPF	High Pass Filter	VCA	Voltage Control Attenuator
IND	INDicator	VOL	VOLume
IPLS	Instant Program Location System	VOLT	VOLTage
L	Low	VR	Variable Resistor
L CH	Left CHannel	X'TAL	cysTAL
LED	Light Emitting Diode	X1	Normal speed
MEMO	MEMOry	X2	Dubble speed

AKAI

MODEL **GX-6,8 (GX-73,93)**

**SCHEMATIC DIAGRAM
AND PC BOARDS**

TABLE OF CONTENTS

1. BLOCK DIAGRAM	3
2. CONNECTION DIAGRAM.....	4
3. MOTOR PC BOARD AND OTHER PC BOARDS	5
4. SYSCON (A) PC BOARD	6
5. SYSTEM CONTROL (A) SCHEMATIC DIAGRAM.....	7
6. SYSTEM CONTROL (B) SCHEMATIC DIAGRAM.....	8
7. SYSCON (B) PC BOARD.....	9
8. GX-6 (GX-73) PRE AMP PC BOARD.....	10
9. GX-6 (GX-73) PRE AMP SCHEMATIC DIAGRAM.....	11
10. GX-8 (GX-93) PRE AMP SCHEMATIC DIAGRAM.....	12
11. GX-8 (GX-93) PRE AMP PC BOARD.....	13
12. dbx SCHEMATIC DIAGRAM.....	14
13. dbx PC BOARD	15
14. SCHEMATIC DIAGRAM OF ICs.....	16

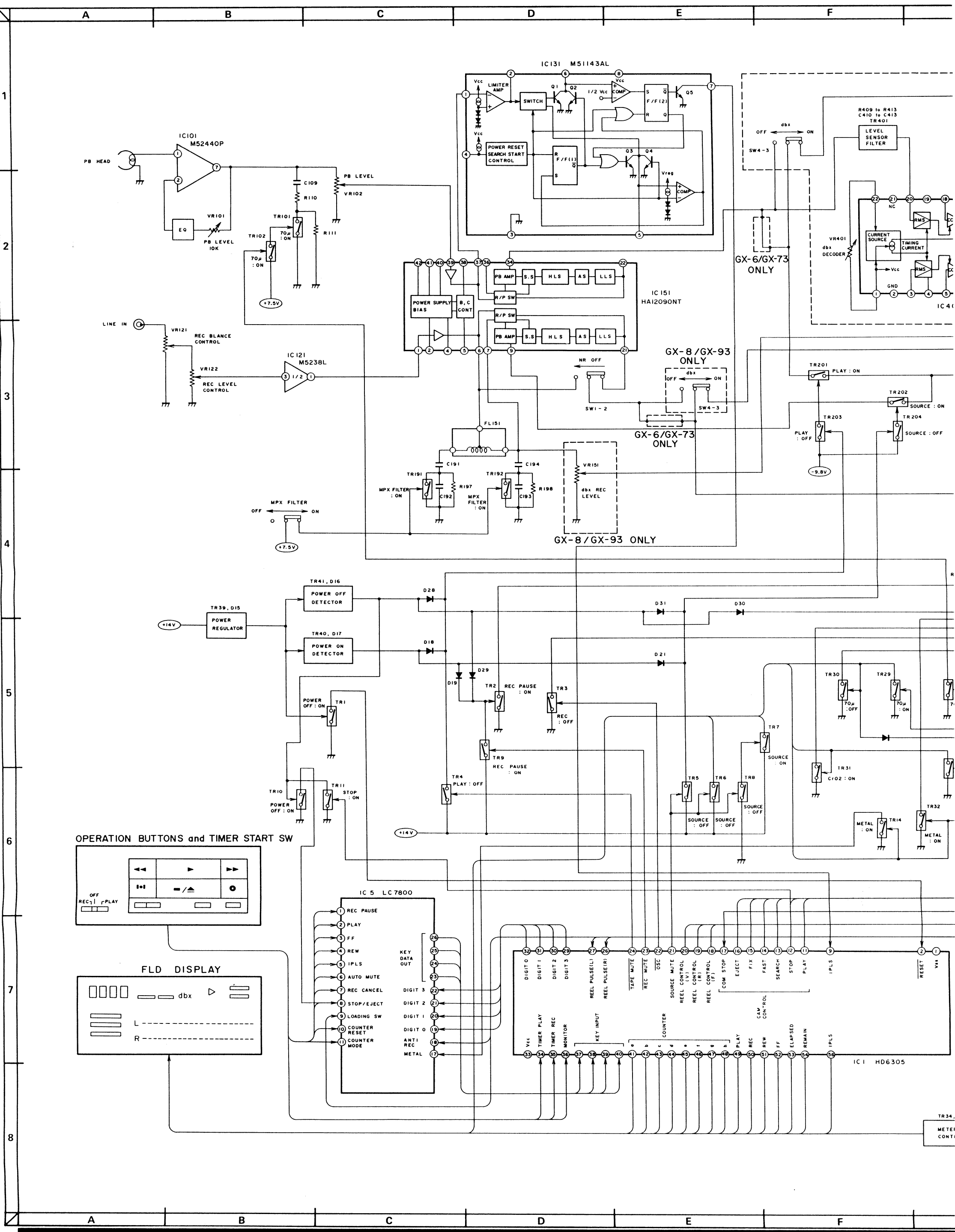
AKAI

MODEL **GX-73,93 (GX-6,8)**

回路図・プリント基板図

目次

1. ブロック図.....	3
2. コネクションダイアグラム.....	4
3. モーター・その他基板図.....	5
4. シスコン(A)基板図.....	6
5. システム・コントロール(A)回路図.....	7
6. システム・コントロール(B)回路図.....	8
7. シスコン(B)基板図.....	9
8. GX-73 (GX-6) プリアンプ基板図.....	10
9. GX-73 (GX-6) プリアンプ回路図.....	11
10. GX-93 (GX-8) プリアンプ回路図.....	12
11. GX-93 (GX-8) プリアンプ基板図.....	13
12. dbx 回路図.....	14
13. dbx 基板図.....	15
14. ICI*.....	16



IC101 M52440P

IC131 M51143AL

IC151 HA12090NT

IC121 M5238L

GX-8/GX-93 ONLY

GX-6/GX-73 ONLY

GX-8/GX-93 ONLY

GX-6/GX-73 ONLY

TR39, D15 POWER REGULATOR

TR41, D16 POWER OFF DETECTOR

TR40, D17 POWER ON DETECTOR

TR10 POWER OFF : ON

TR11 STOP : ON

TR4 PLAY : OFF

TR2 REC PAUSE : ON

TR3 REC : OFF

TR9 REC PAUSE : ON

TR7 SOURCE ON

TR5 SOURCE : OFF

TR6 SOURCE : OFF

TR30 70μ : OFF

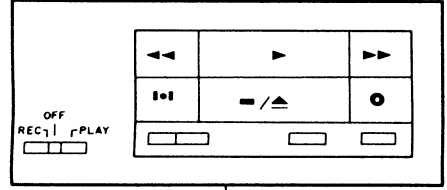
TR29 70μ : ON

TR31 C102 : ON

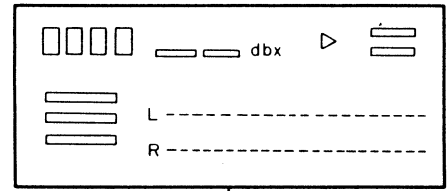
METAL : ON

METAL : ON

OPERATION BUTTONS and TIMER START SW



FLD DISPLAY

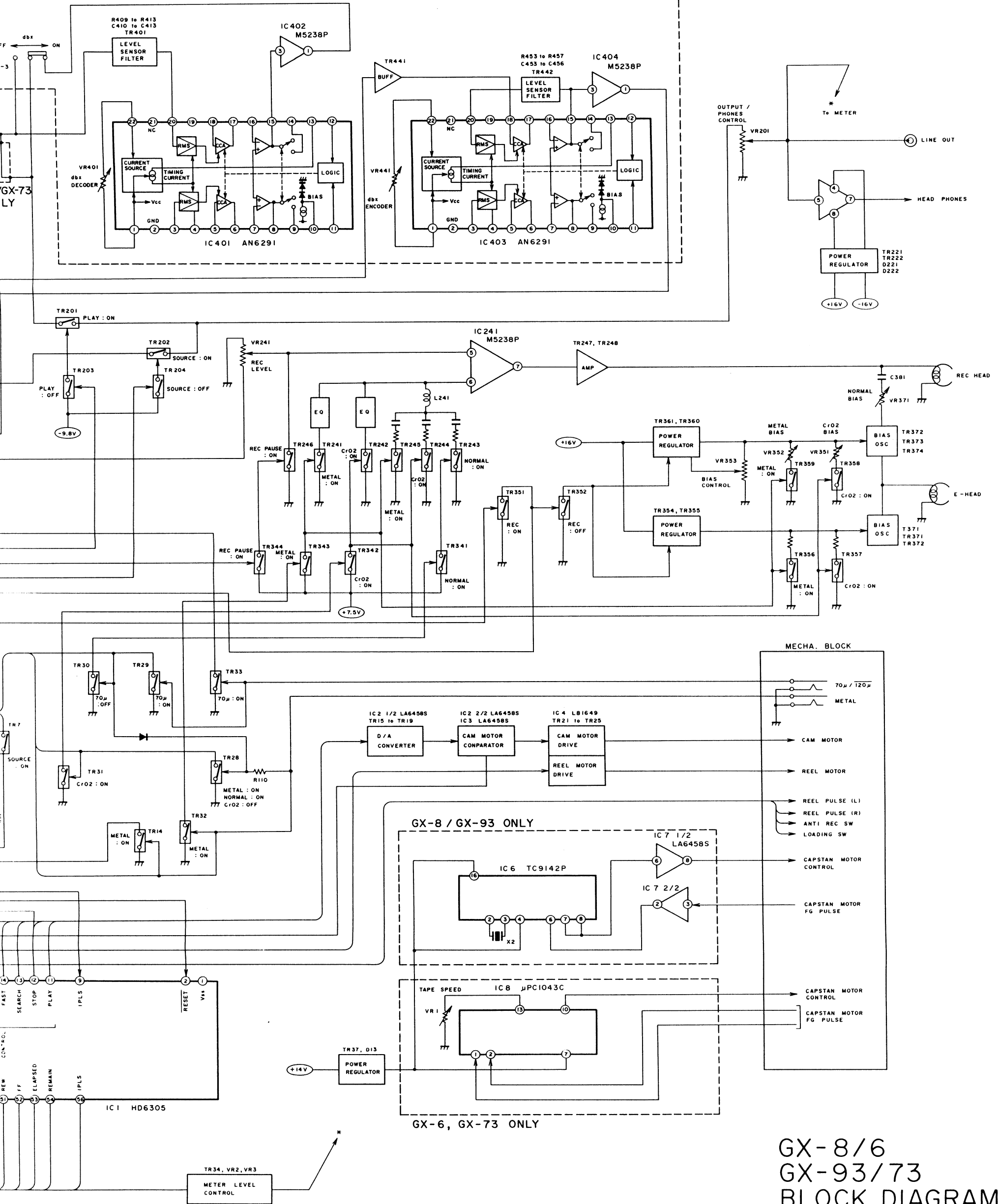


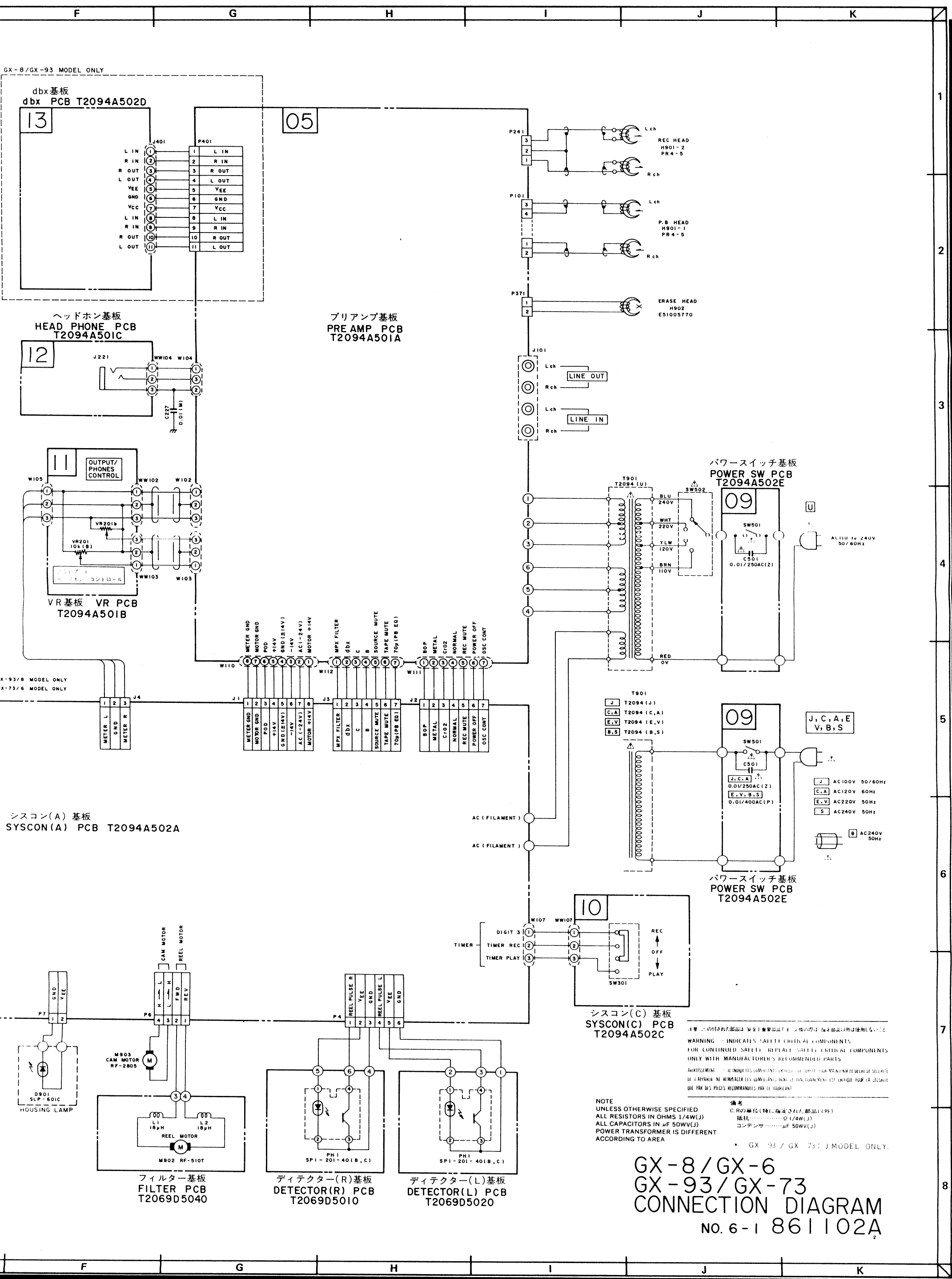
IC5 LC7800

IC1 HD6305

TR34, METER CONT...

GX-8 / GX-93 ONLY

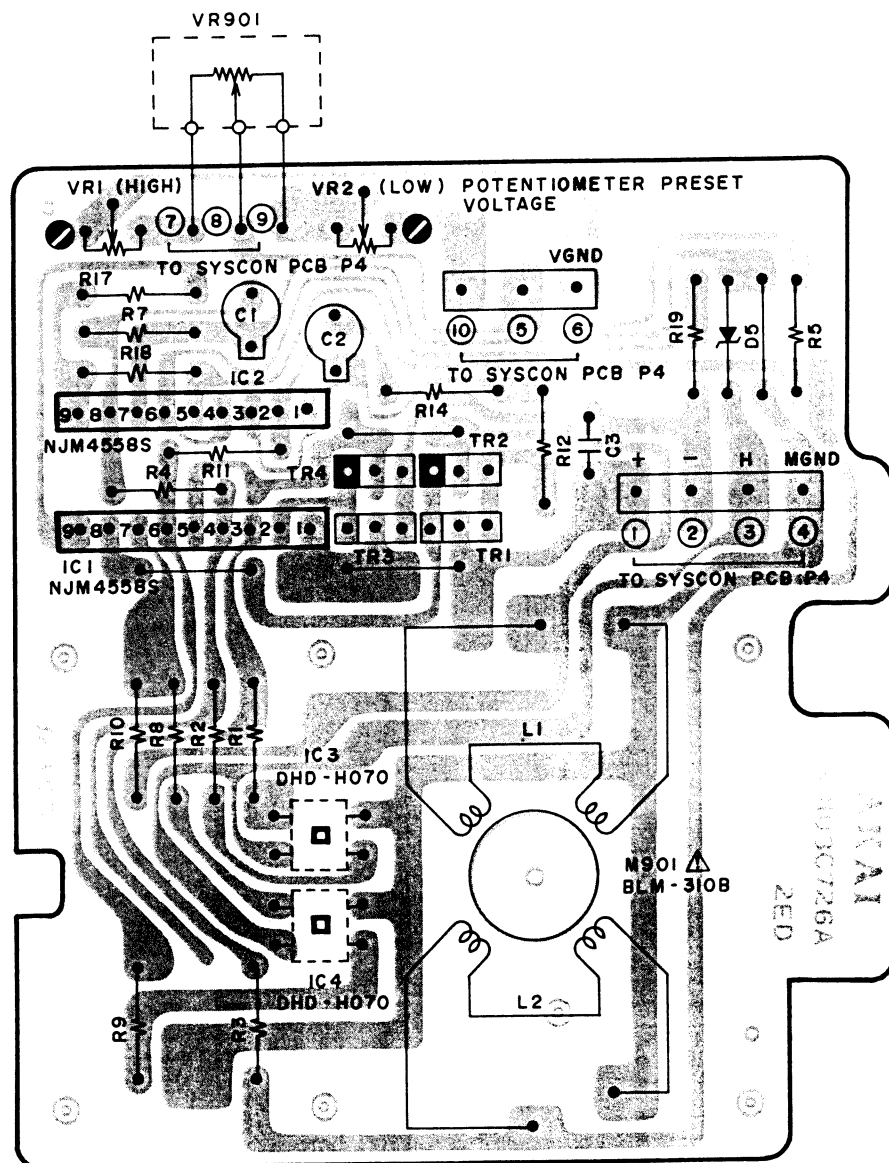




注意: この付された部品は、安全上重要部品です。交換の際は、指定された部品以外は使用しないでください。
WARNING: INDICATES SAFETY CRITICAL COMPONENTS. FOR CONTINUED SAFETY, REPLACE SAFETY CRITICAL COMPONENTS ONLY WITH MANUFACTURER'S RECOMMENDED PARTS.
 取組時注意: 本図に示した部品は、安全上重要な部品です。交換の際は、指定された部品以外は使用しないでください。
WARNING: INDICATES SAFETY CRITICAL COMPONENTS. FOR CONTINUED SAFETY, REPLACE SAFETY CRITICAL COMPONENTS ONLY WITH MANUFACTURER'S RECOMMENDED PARTS.

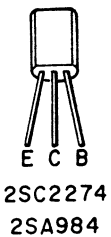
NOTE
 UNLESS OTHERWISE SPECIFIED
 ALL RESISTORS IN OHMS 1/4W(J)
 ALL CAPACITORS IN μF 50WV(J)
 POWER TRANSFORMER IS DIFFERENT
 ACCORDING TO AREA

GX-8/GX-6
 GX-93/GX-73
CONNECTION DIAGRAM
 No. 6-1 861102A



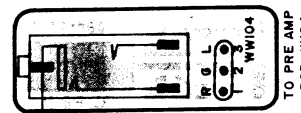
MOTOR PCB M3103C7260 (2ED)
モーター基板

- = PNP TRANSISTOR
- = NPN TRANSISTOR
- TR1,3 --- 2SC2274
- TR2,4 --- 2SA984

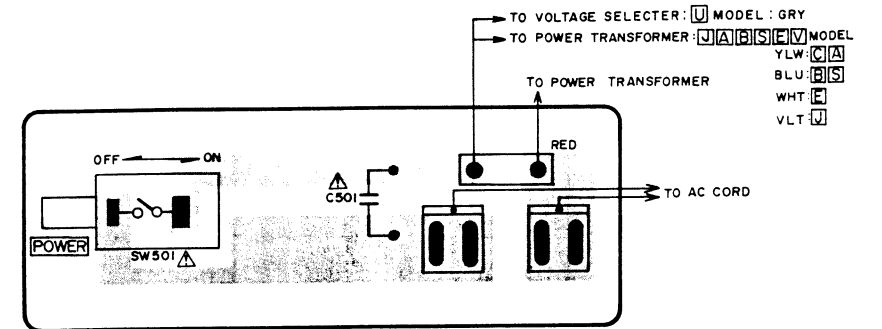
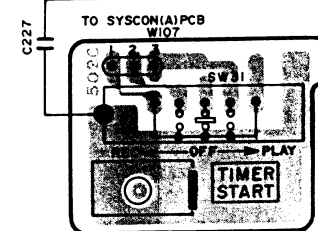


注意: △の付された部品は、安全上重要部品です。交換の際は、指定部品以外は使用しないこと。
 WARNING: △ INDICATES SAFETY CRITICAL COMPONENTS. FOR CONTINUED SAFETY, REPLACE SAFETY CRITICAL COMPONENTS ONLY WITH MANUFACTURER'S RECOMMENDED PARTS.
 AVERTISSEMENT: △ IL INDIQU LES COMPOSANTS CRITIQUES DE SURETE. POUR MAINTENIR LE DEGRE DE SECURITE DE L'APPAREIL, NE REMPLACER LES COMPOSANTS DONT LE FONCTIONNEMENT EST CRITIQUE POUR LA SECURITE QUE PAR DES PIECES RECOMMANDEES PAR LE FABRICANT.

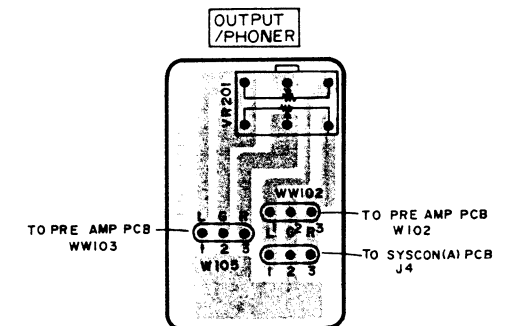
ヘッドホン基板
HEAD PHONE PCB
T2094A501C



SYSCON(C) PCB
T2094A502C
シスコン(C)基板



POWER SW PCB
T 2094A502E
パワースイッチ基板

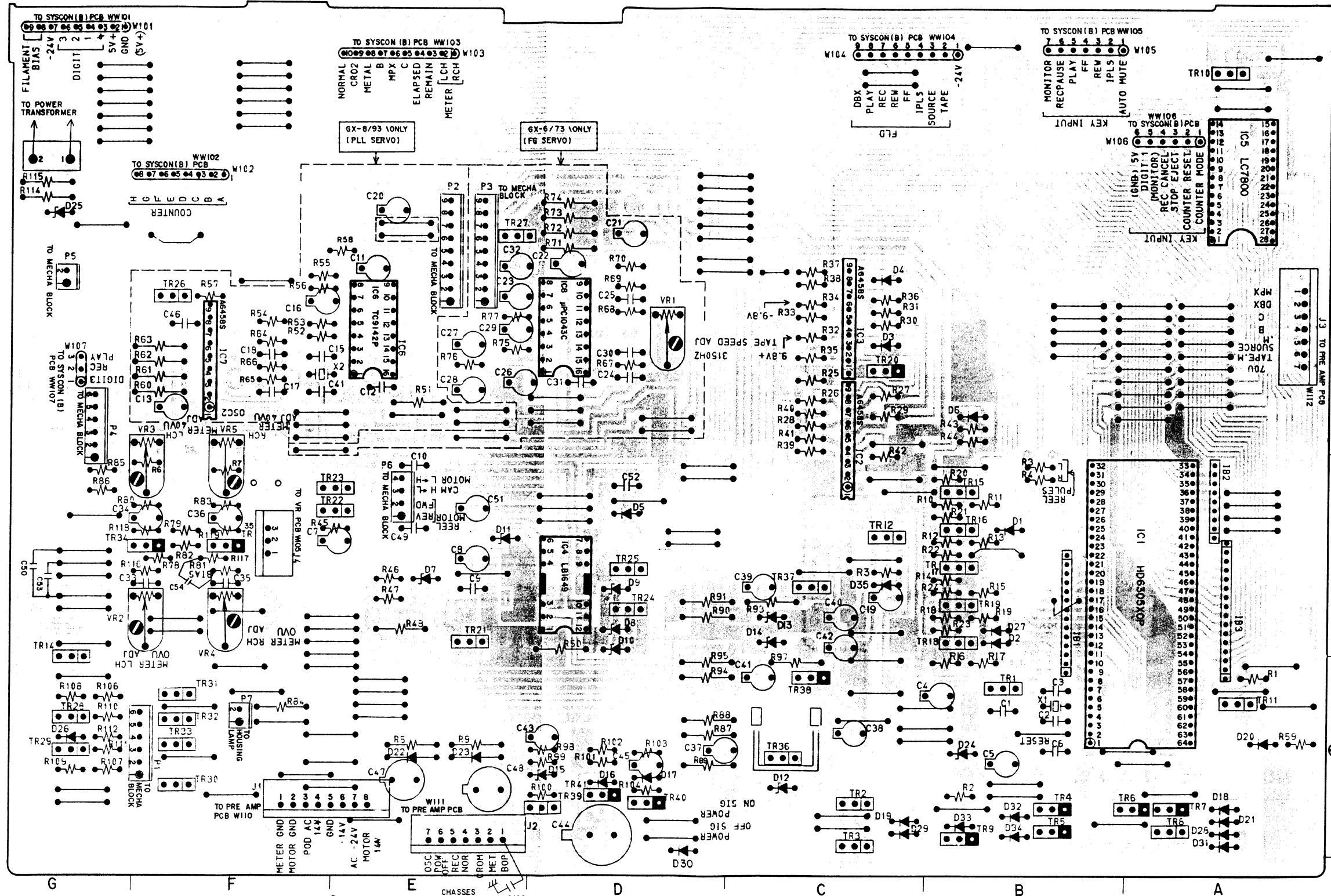


VR PCB
T2094A501B
VR基板

- IC1.....A5
- IC2.....C4
- IC3.....C4
- IC4.....D5
- IC5.....A3
- IC6.....E4
- IC7.....F4
- IC8.....D4

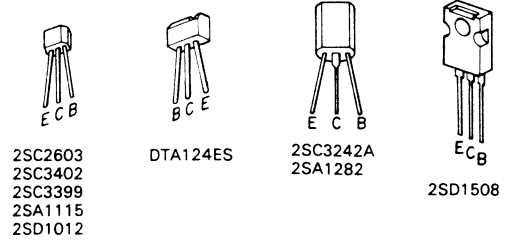
- TR1.....B6
- TR2.....C6
- TR3.....C4
- TR4.....B6
- TR5.....B6
- TR6.....A6
- TR7.....A6
- TR8.....A6
- TR9.....B6
- TR10.....A3
- TR11.....A6
- TR12.....C5
- TR14.....G5
- TR15.....B5
- TR16.....B5
- TR17.....B5
- TR18.....B5
- TR19.....B5
- TR20.....C4
- TR21.....E5
- TR22.....F5
- TR23.....F5
- TR24.....D5
- TR25.....D5
- TR26.....F4
- TR27.....E3
- TR28.....G6
- TR29.....G6
- TR30.....F6
- TR31.....F6
- TR32.....F6
- TR33.....F6
- TR34.....F5
- TR35.....F5
- TR36.....C6
- TR37.....C5
- TR38.....C6
- TR39.....D6
- TR40.....D6
- TR41.....D6

- 2SC2603.....TR28,TR29,
TR39,TR22
- 2SC3402.....TR3,TR30,TR31,
TR32,TR33
- 2SC3399.....TR1,TR2,TR10,
TR11,TR8,TR14,
TR23,TR24,TR25
- 2SA1115.....TR34,TR35,
TR40,TR41
- DTA124ES.....TR4,TR5,TR6,
TR7,TR9,TR20
- 2SC3242A.....TR21,TR37
- 2SA1282.....TR38
- 2SD1508.....TR36
- 2SD1012.....TR15,TR16,TR17,
TR18,TR19

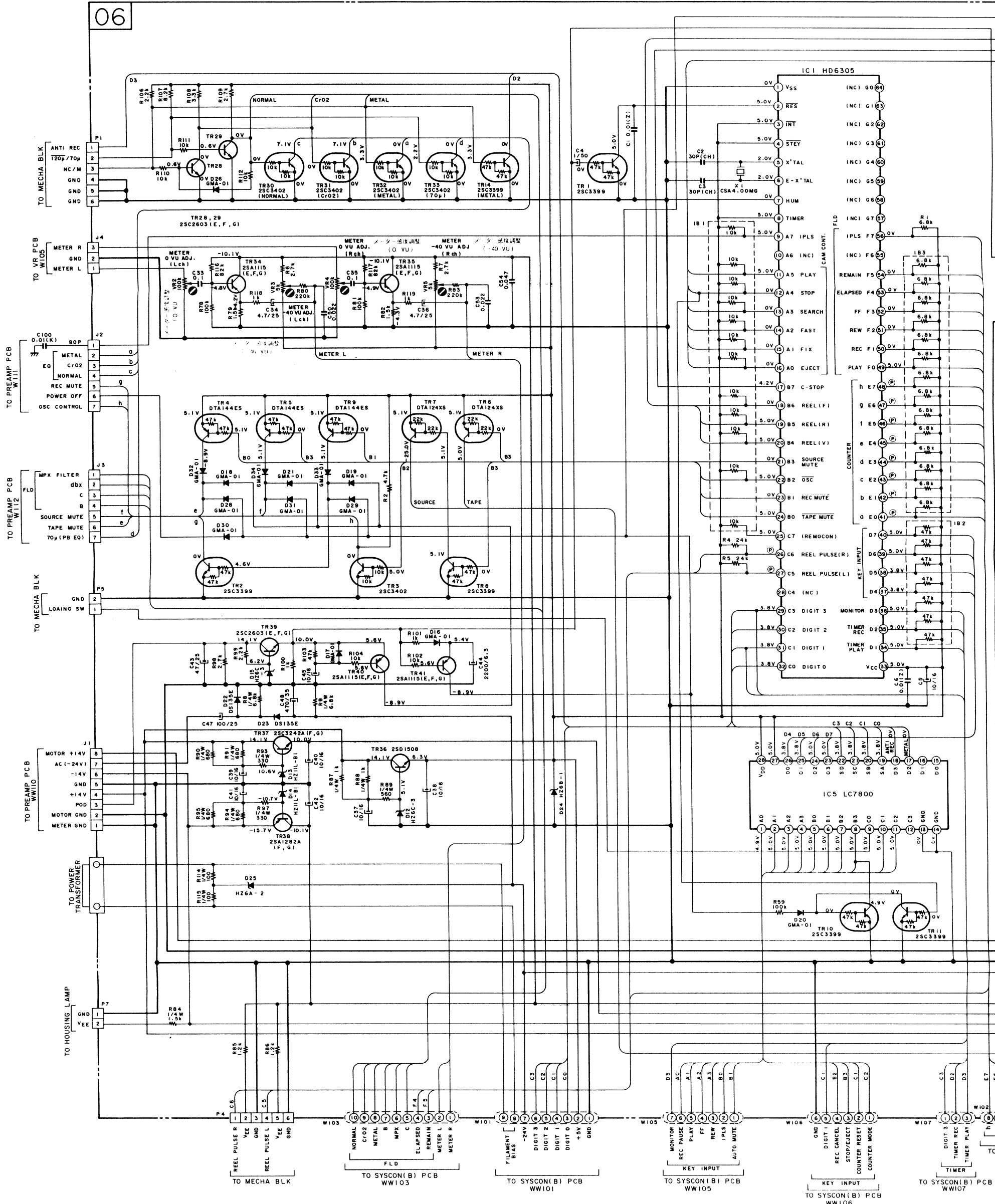


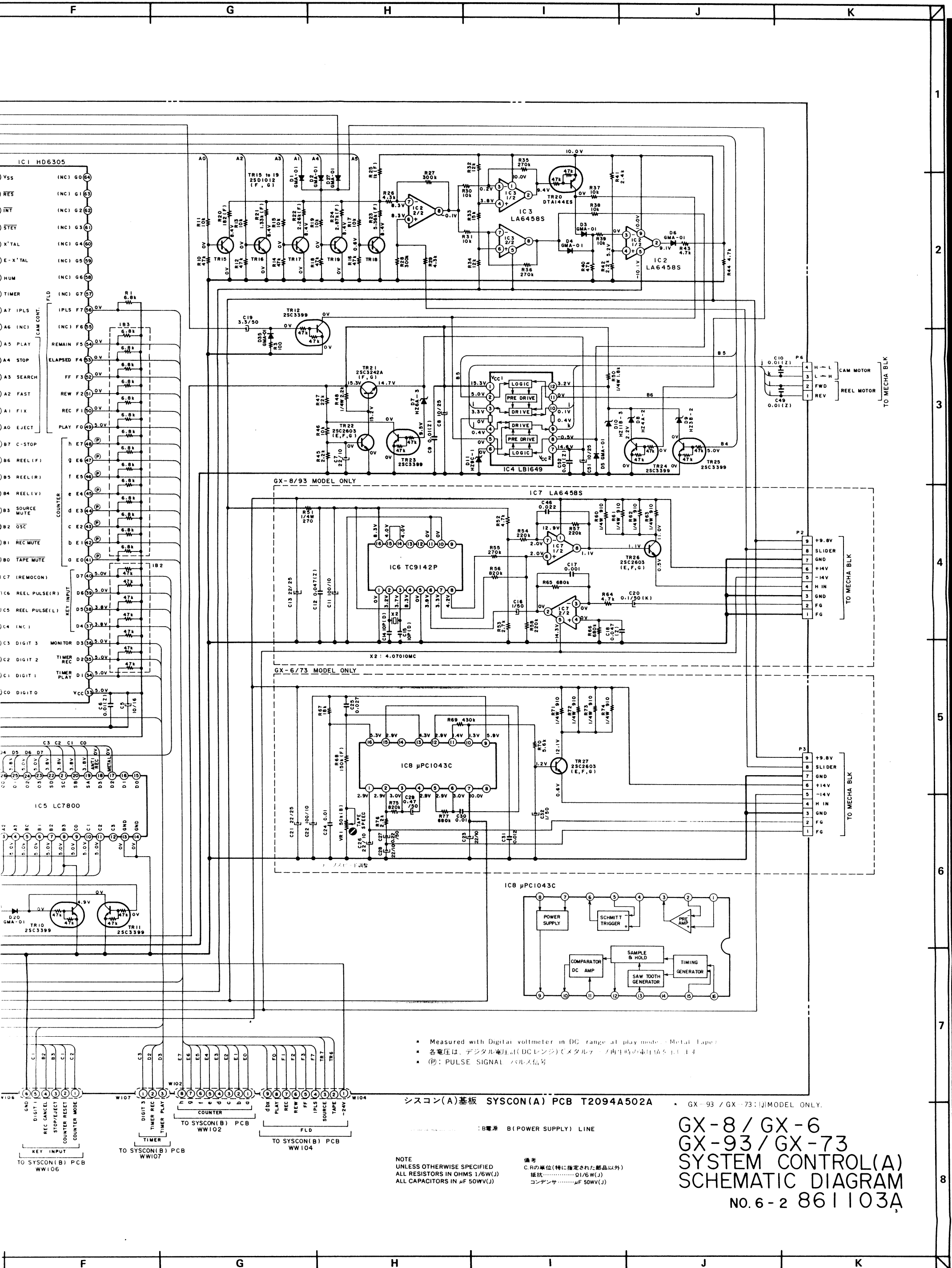
SYSCON (A) PCB T2094A502A
シスコン(A)基板

- = NPN TRANSISTOR
- = PNP TRANSISTOR



GX-8/GX-6
GX-93/GX-73





シスコン(A)基板 SYSICON(A) PCB T2094A502A

GX-93 / GX-73: MODEL ONLY.

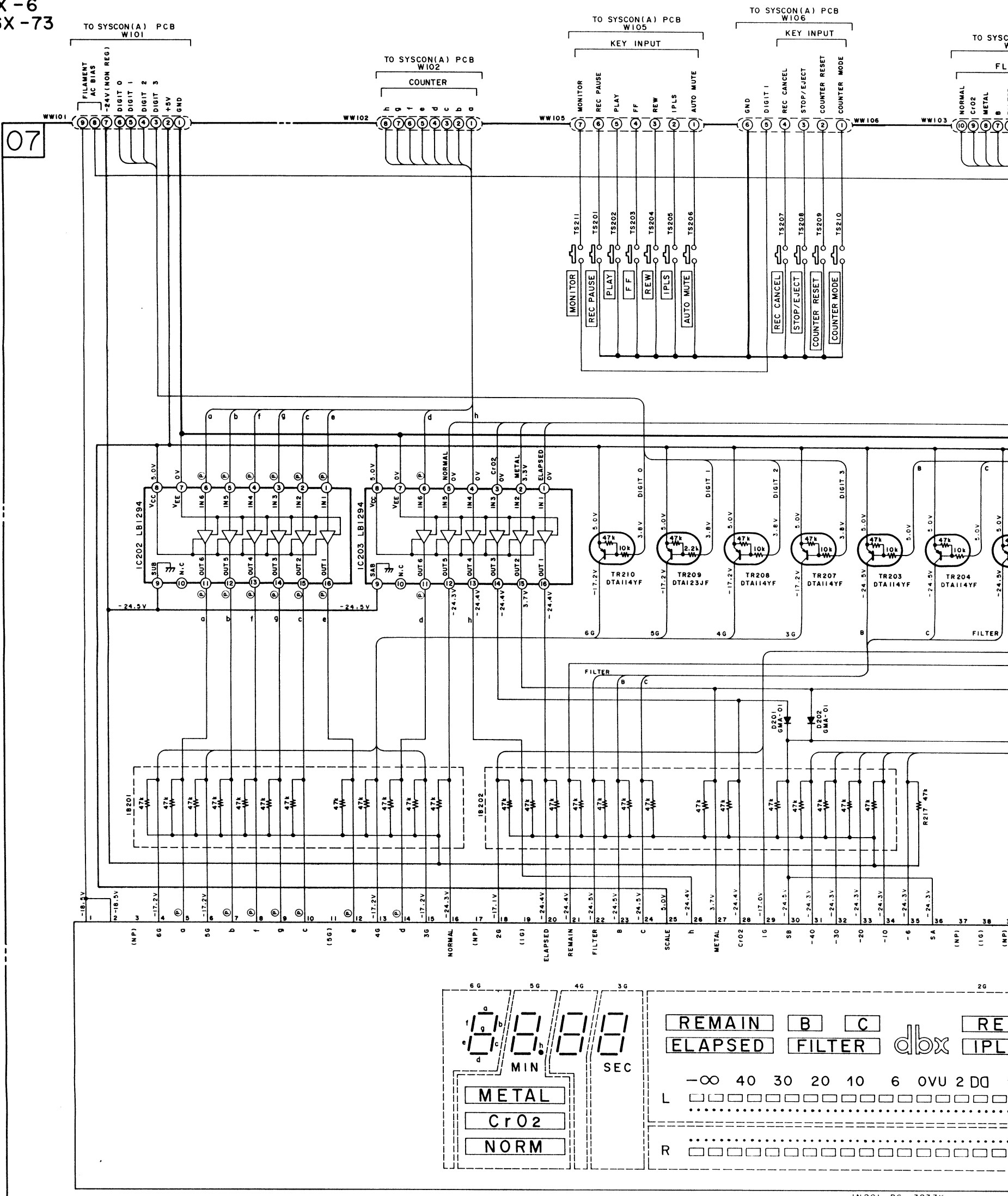
電源線 B (POWER SUPPLY) LINE

NOTE
UNLESS OTHERWISE SPECIFIED
ALL RESISTORS IN OHMS 1/6W(J)
ALL CAPACITORS IN μF 50WV(J)

備考
C.R.の単位(特に指定された部品以外)
抵抗……………Ω/6W(J)
コンデンサ……………μF 50WV(J)

GX-8 / GX-6
GX-93 / GX-73
SYSTEM CONTROL(A)
SCHEMATIC DIAGRAM
NO. 6-2 861103A

GX-8 / GX-6
GX-93 / GX-73

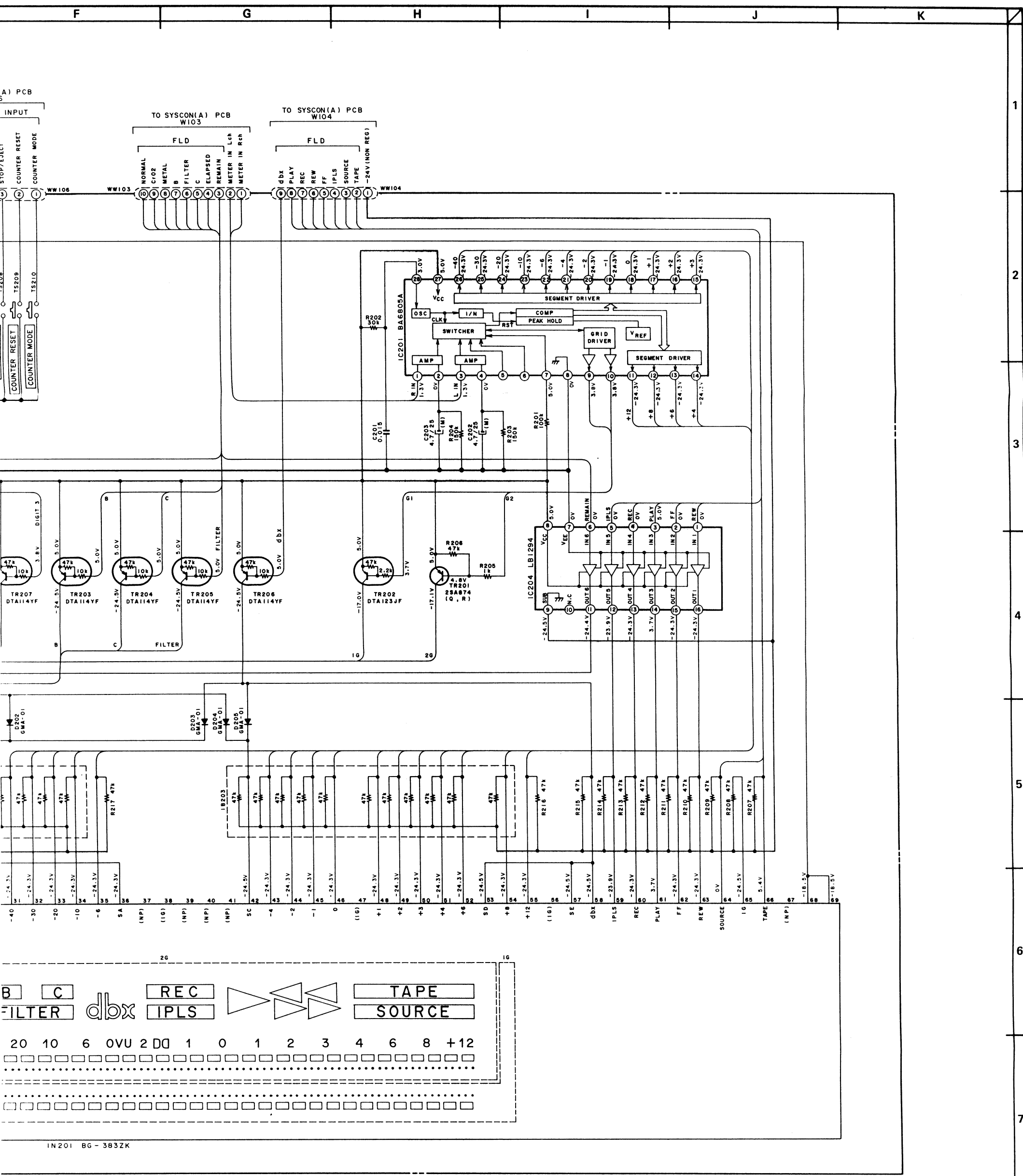


SYSCON(B) PCB T2094A502B
シスコン(B)基板

:B電源 B(POWER SUPPLY) LINE

IN201 BG-3832K

Measured with digital voltmeter in the circuit at play.
測定はデジタル電圧計にて回路動作中に行われた。



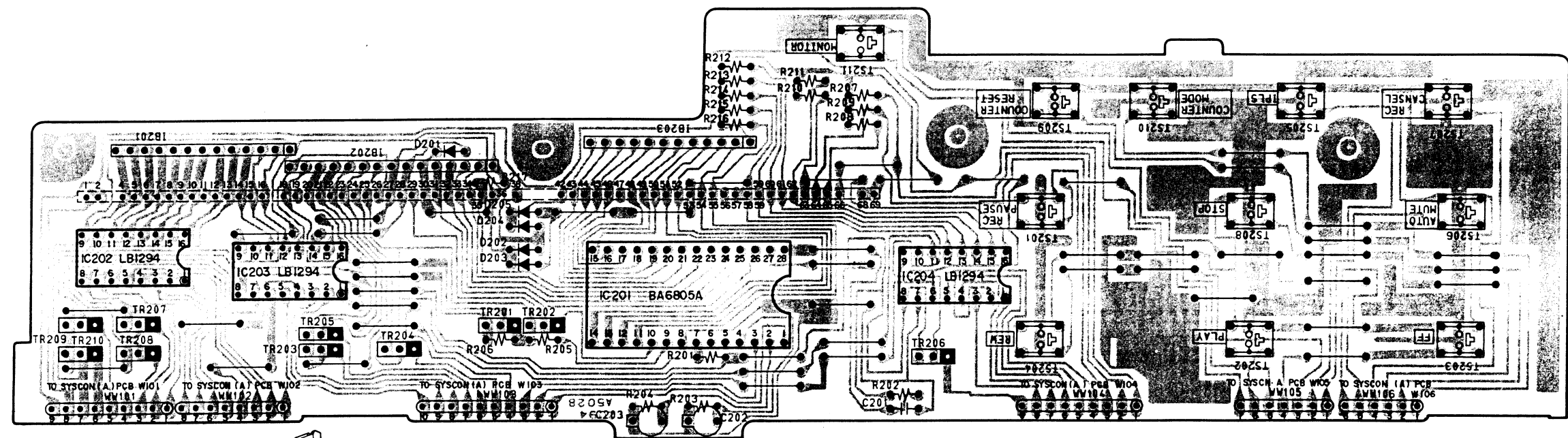
* GX-93 / GX-73: □ MODEL ONLY.

NOTE
UNLESS OTHERWISE SPECIFIED
ALL RESISTORS IN OHMS 1/6W(J)
ALL CAPACITORS IN μF 50WV(J)

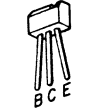
備考
C, Rの単位(特に指定された部品以外)
抵抗……………Ω/1/6W(J)
コンデンサ……………μF 50WV(J)

GX-8/GX-6
GX-93/GX-73
SYSTEM CONTROL(B)
SCHEMATIC DIAGRAM
No.6-3 861104A

IN201 BG-3832K



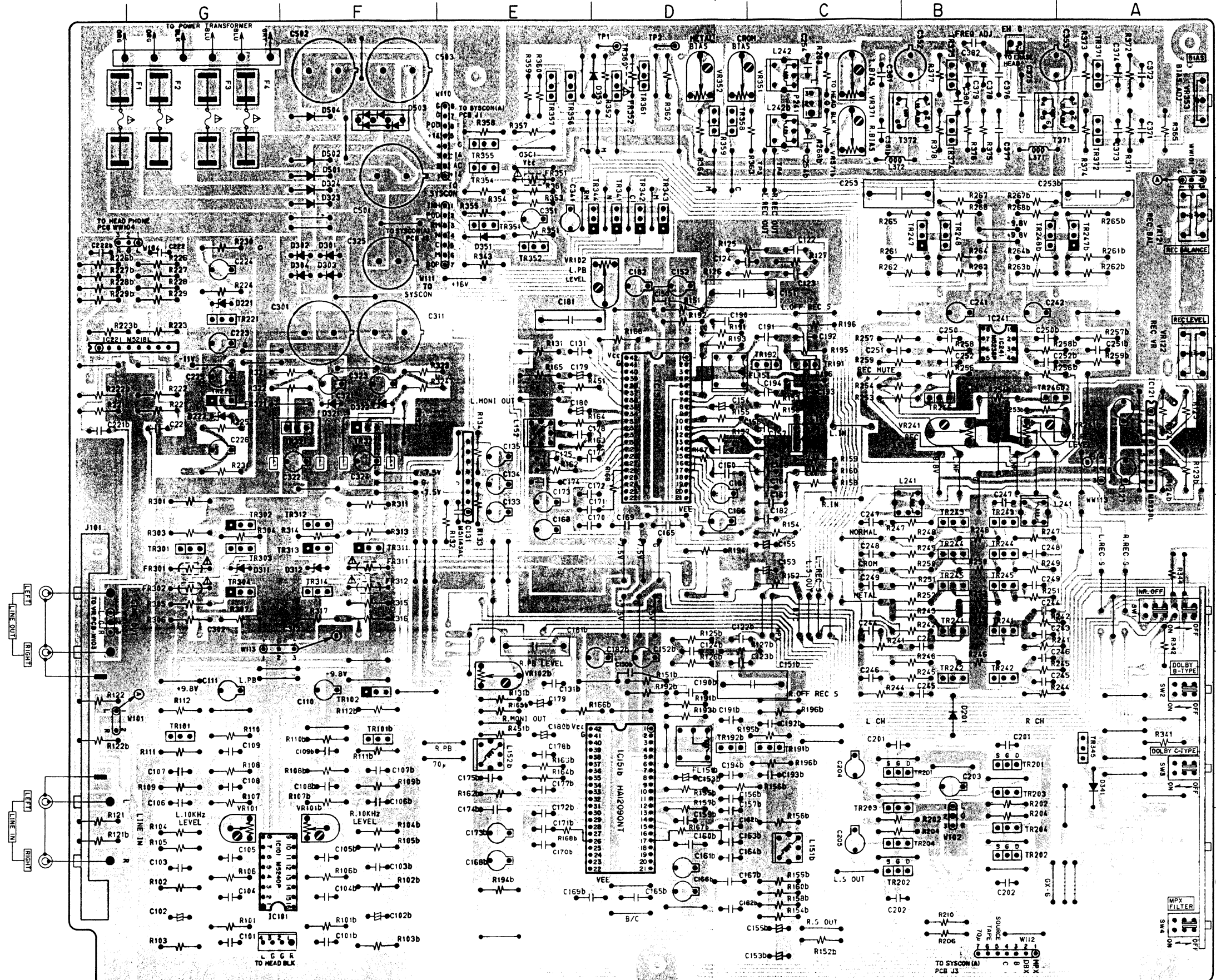
DTA114YF.....TR210,TR207
 TR208,TR203
 TR204,TR205
 TR206
 DTA123JF.....TR202,TR209
 2SA874.....TR201



DTA114YF
 DTA123JF
 2SA874

PNP TRANSISTOR
 B

SYSCON(B) PCB T2094A502B
 シスコン(B)基板



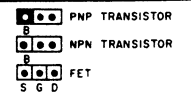
- IC101.....F6
- IC121.....A3
- IC131.....E3
- IC151.....D3
- IC221.....G3
- IC241.....B3
- TR101.....G5
- TR101b.....F5
- TR102.....F5
- TR191.....C3
- TR191b.....C5
- TR192.....C3
- TR192b.....C3
- TR201.....C5
- TR201b.....B5
- TR202.....C6
- TR202b.....B6
- TR203.....C5
- TR203b.....B5
- TR204.....C6
- TR204b.....B6
- TR221.....G2
- TR222.....G3
- TR241.....B4
- TR241b.....B4
- TR242.....B5
- TR242b.....B5
- TR243.....B4
- TR243b.....B4
- TR244.....B4
- TR244b.....B4
- TR245.....B4
- TR245b.....B4
- TR245b.....B4
- TR246.....B3
- TR246b.....B3
- TR247.....B2
- TR247b.....A2
- TR248.....B2
- TR248b.....B2
- TR301.....G4
- TR302.....G4
- TR303.....G4
- TR304.....G4
- TR311.....F4
- TR312.....F4
- TR313.....F4
- TR314.....F4
- TR321.....F3
- TR322.....F3
- TR341.....D2
- TR342.....D2
- TR343.....D2
- TR344.....D2
- TR345.....A5
- TR351.....E2
- TR352.....E2
- TR354.....E1
- TR355.....E2
- TR356.....E1
- TR357.....E1
- TR358.....D1
- TR359.....D1
- TR360.....D1
- TR361.....D1
- TR371.....A1
- TR372.....A1
- TR373.....A1
- TR374.....B1

- 2SC3383
- 2SA1392
- 2SC2320
- 2SC2274
- 2SC2910
- 2SA1208
- 2SC3242
- 2SC2911
- 2SA1209
- 2SK170
- DTC144ES
- DTC143ES
- DTC114ES
- DTA114ES

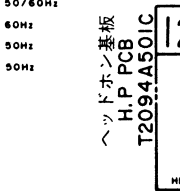
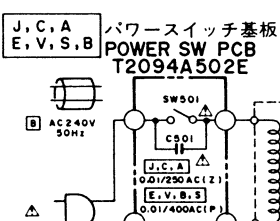
- 2SC3383.....TR101,TR101b,TR303,TR312,TR314,TR319,TR191b,TR192,TR192b,TR248,TR248b,TR247,TR247b,TR245,TR245b,TR244,TR244b,TR243,TR243b,TR242,TR242b,TR241,TR241b.
- 2SC2911.....TR321
- 2SA1209.....TR322
- 2SC2910.....TR301,TR221
- 2SA1392.....TR302,TR304,TR313
- 2SA1208.....TR311,TR222
- 2SC3242.....TR354,TR361
- 2SC2320.....TR360,TR355
- 2SC2274.....TR371,TR372,TR373
- 2SK170.....TR201,TR201b,TR202,TR202b
- DTC114ES.....TR351,TR356,TR357,TR358,TR359
- DTA114ES.....TR102,TR341,TR342,TR343,TR344
- DTC143ES.....TR352
- DTC144ES.....TR203,TR203b,TR204,TR204b

注意: △の付された部品は、安全上重要部品です。交換の際は、指定部品以外は使用しないこと。
 WARNING: △ INDICATES SAFETY CRITICAL COMPONENTS. FOR CONTINUED SAFETY, REPLACE SAFETY CRITICAL COMPONENTS ONLY WITH MANUFACTURER'S RECOMMENDED PARTS.
 AVERTISSEMENT: △ IL INDIQUE LES COMPOSANTS CRITIQUES DE SÛRETÉ. POUR MAINTENIR LE DEGRÉ DE SÛRETÉ DE L'APPAREIL, NE REMPLACER LES COMPOSANTS DONT LE FONCTIONNEMENT EST CRITIQUE POUR LA SÛRETÉ QUE PAR DES PIÈCES RECOMMANDÉES PAR LE FABRICANT.

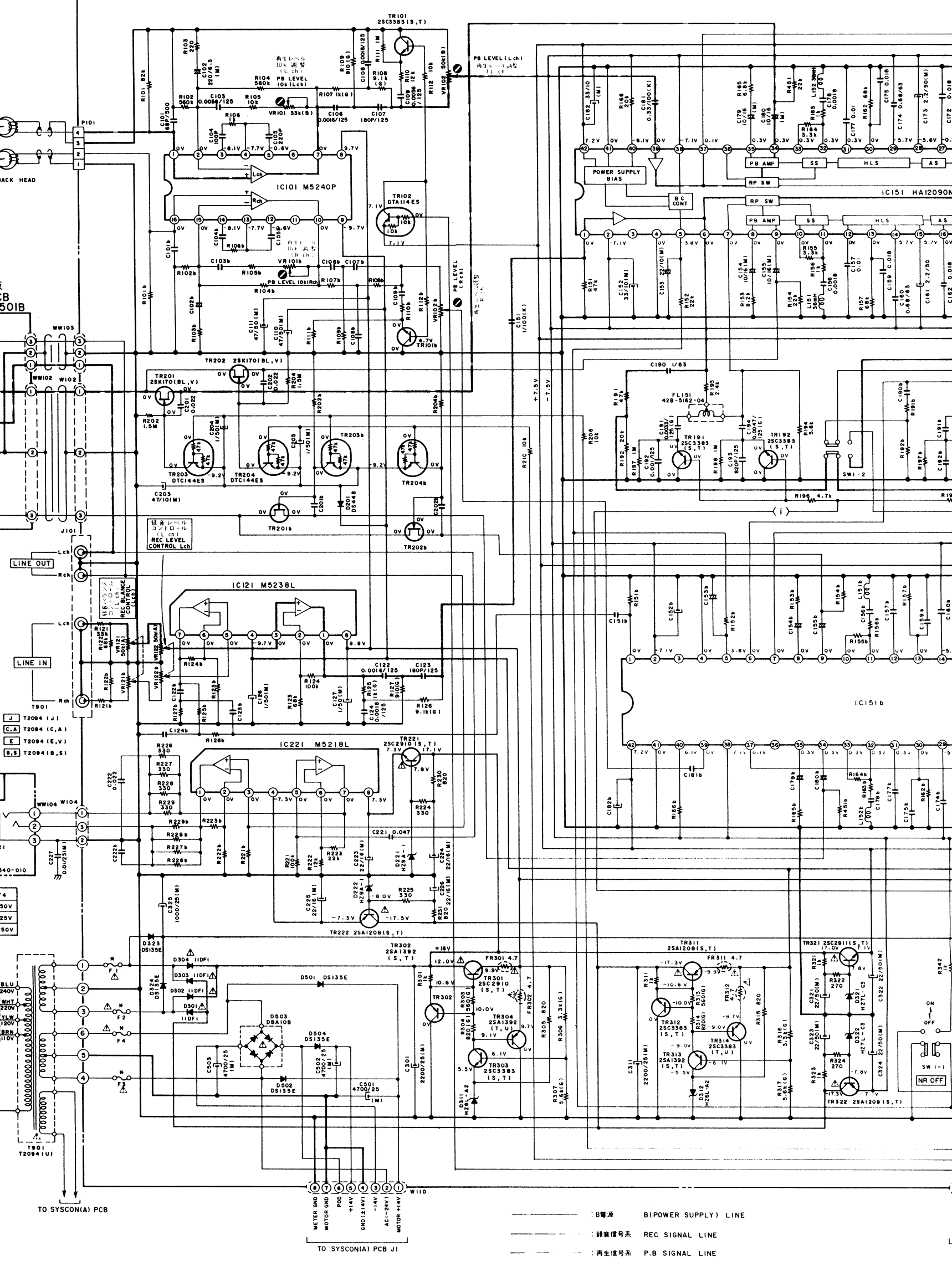
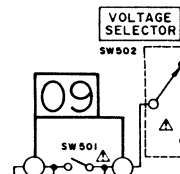
PRE AMP PCB T2094A501A
 プリアンプ基板



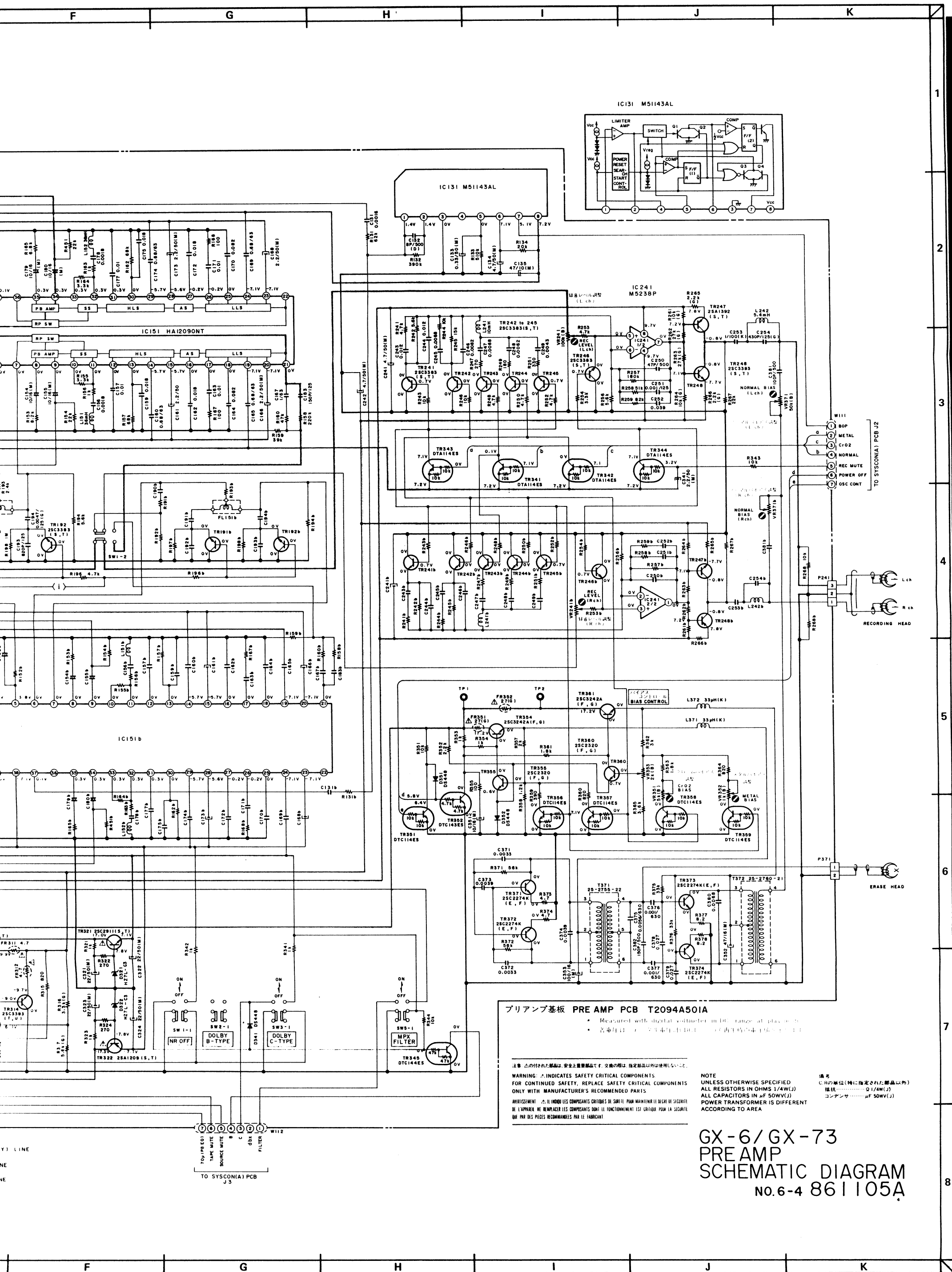
05



R	F1, F2	F3, F4
J	1.25A 125V	1.25A 250V
C, A	1.25A 125V	1.25A 125V
U, E, S, B	630mA T250V	1.25A T250V



--- B電源 B(Power Supply) LINE
 --- 録音信号系 REC SIGNAL LINE
 --- 再生信号系 P.B SIGNAL LINE

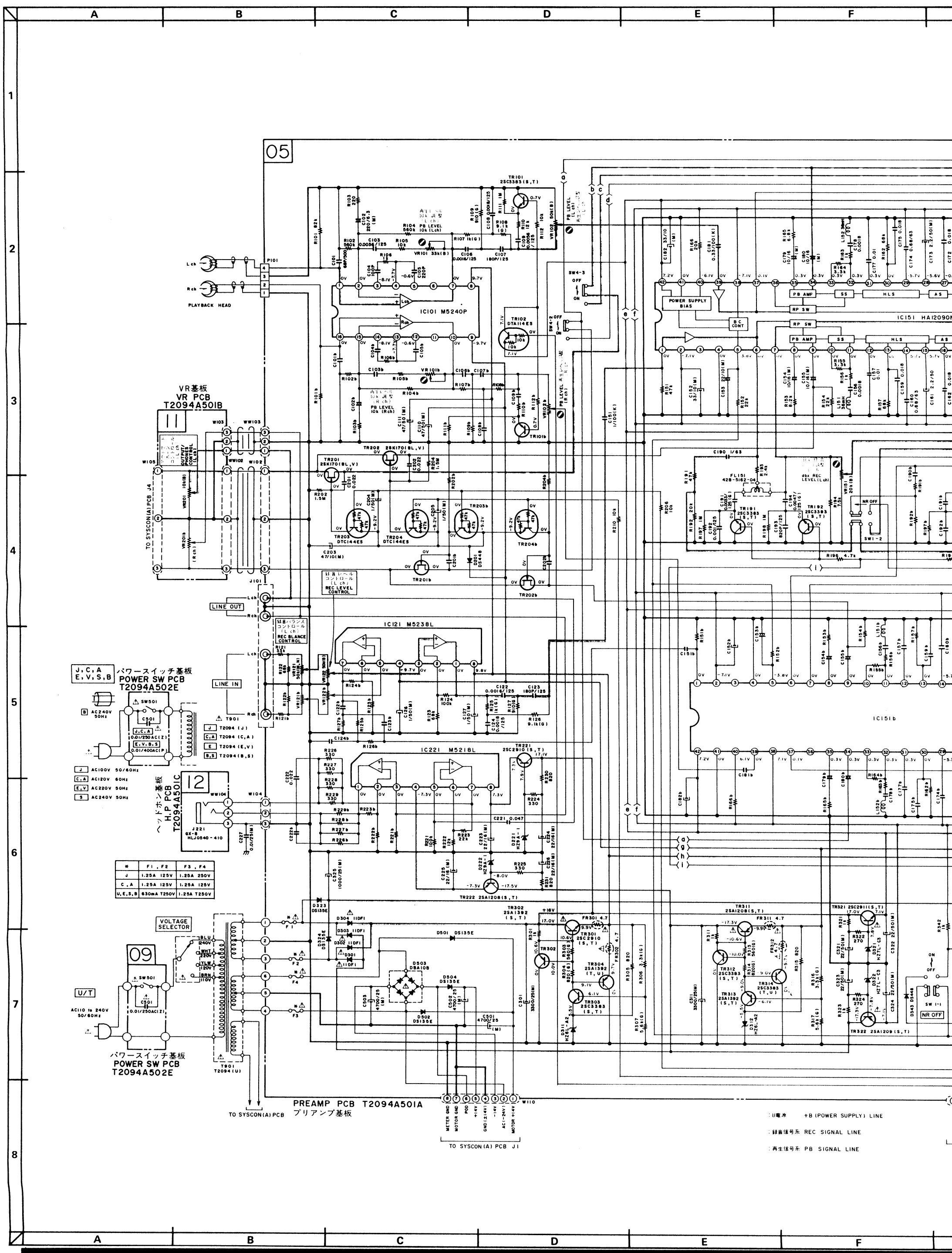


プリアンプ基板 PRE AMP PCB T2094A501A

Measured with digital voltmeter in DC range at play mode.
 高周波電圧計で測定した値を示す。

注意: △の付いた部品は、安全上重要な部品です。交換の際は、指定部品以外は使用しないでください。
 WARNING: △ INDICATES SAFETY CRITICAL COMPONENTS. FOR CONTINUED SAFETY, REPLACE SAFETY CRITICAL COMPONENTS ONLY WITH MANUFACTURER'S RECOMMENDED PARTS.
 NOTE: UNLESS OTHERWISE SPECIFIED, ALL RESISTORS IN OHMS 1/4W(J). ALL CAPACITORS IN μF 50WV(J). POWER TRANSFORMER IS DIFFERENT ACCORDING TO AREA.

GX-6/GX-73
 PRE AMP
 SCHEMATIC DIAGRAM
 No.6-4 861105A



05

VR基板
VR PCB
T2094A501B

パワースイッチ基板
POWER SW PCB
T2094A502E

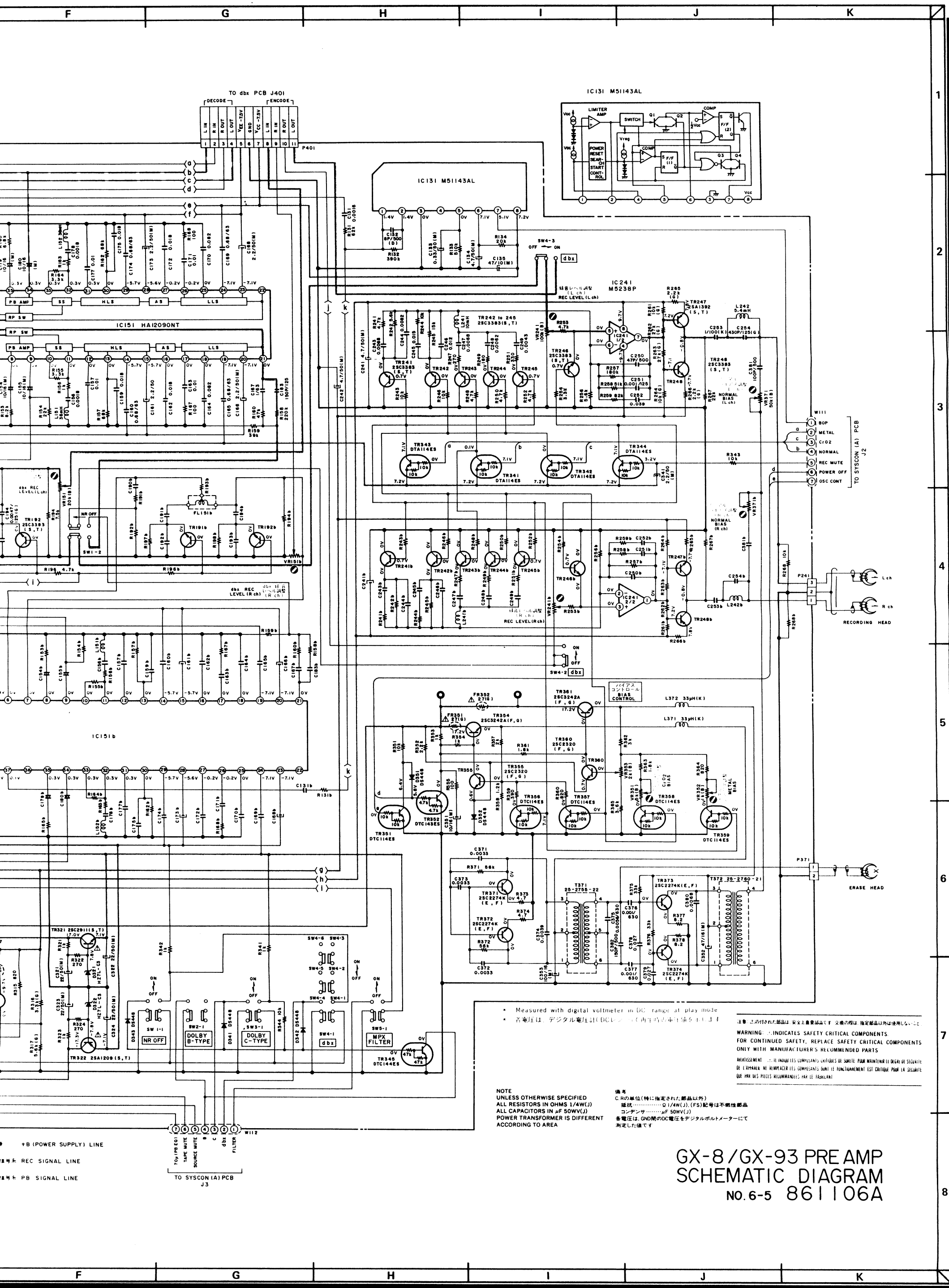
ヘッドホン基板
H.P. PCB
T2094A501C

パワースイッチ基板
POWER SW PCB
T2094A502E

PREAMP PCB T2094A501A
プリアンプ基板

M	F1, F2	F3, F4
J	1.25A 125V	1.25A 250V
C, A	1.25A 125V	1.25A 125V
U, E, S, B	630mA T250V	1.25A T250V

出電源 +B (POWER SUPPLY) LINE
録音信号系 REC SIGNAL LINE
再生信号系 PB SIGNAL LINE



* Measured with digital voltmeter in DC range at play mode
 * 各電圧は、デジタル電圧計(DCレンジ)にて再生時の電圧値を測定した

注意: この回路の部品は、安全上重要な部品です。交換の際は、指定部品以外は使用しないでください。
WARNING: INDICATES SAFETY CRITICAL COMPONENTS. FOR CONTINUED SAFETY, REPLACE SAFETY CRITICAL COMPONENTS ONLY WITH MANUFACTURER'S RECOMMENDED PARTS.
 注意: この回路の部品は、安全上重要な部品です。交換の際は、指定部品以外は使用しないでください。
WARNING: INDICATES SAFETY CRITICAL COMPONENTS. FOR CONTINUED SAFETY, REPLACE SAFETY CRITICAL COMPONENTS ONLY WITH MANUFACTURER'S RECOMMENDED PARTS.

NOTE
 UNLESS OTHERWISE SPECIFIED
 ALL RESISTORS IN OHMS (1/4W(J))
 ALL CAPACITORS IN μ F (50WV(J))
 POWER TRANSFORMER IS DIFFERENT
 ACCORDING TO AREA

備考
 C、Rの単位(特に指定された部品以外)
 抵抗: Ω (1/4W(J))、(FS)記号は不燃性部品
 コンデンサ: μ F (50WV(J))
 各電圧は、GND間のDC電圧をデジタルボルテージメータにて測定した値です

**GX-8/GX-93 PRE AMP
 SCHEMATIC DIAGRAM
 No.6-5 861106A**

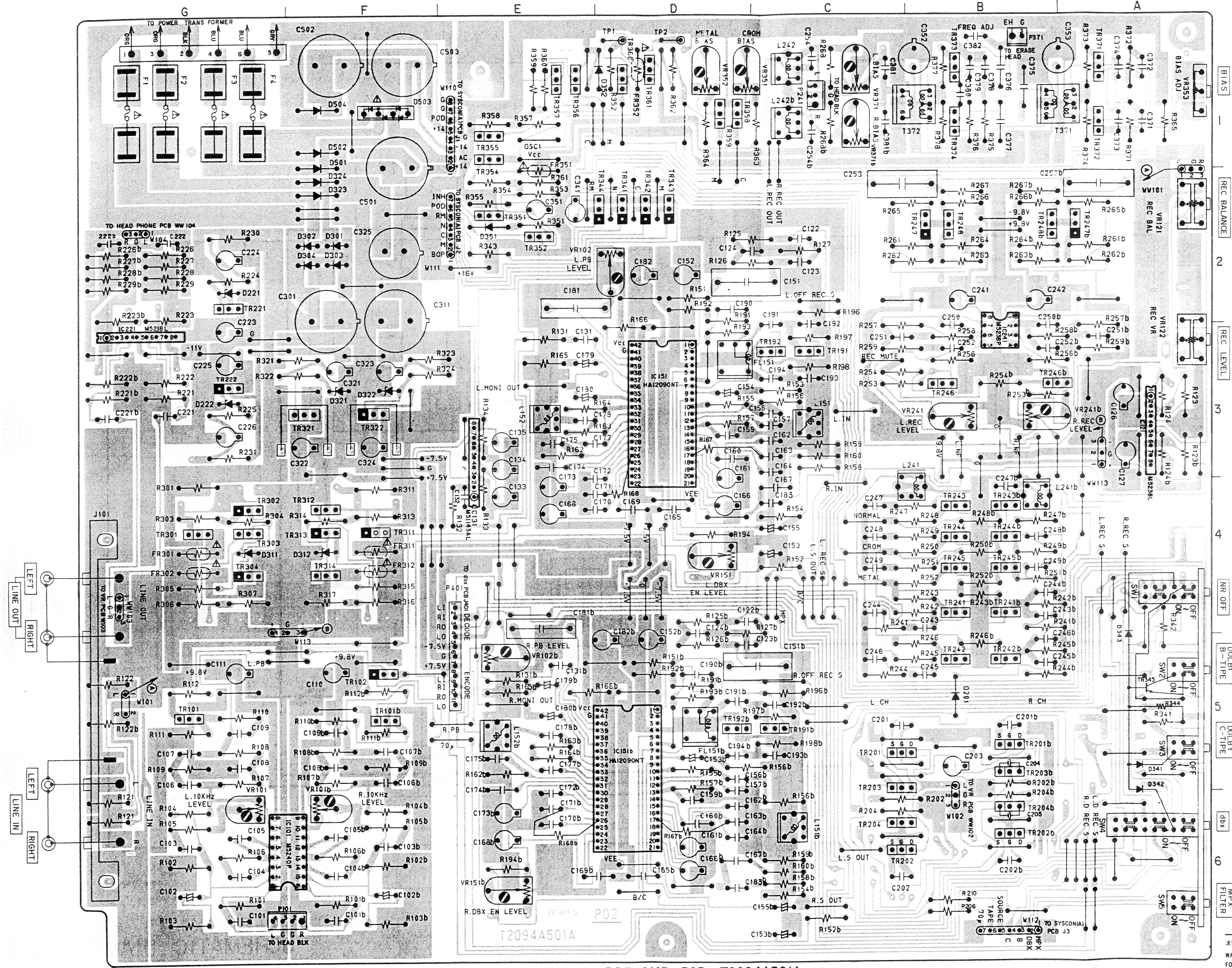
+B (POWER SUPPLY) LINE
 REC SIGNAL LINE
 PB SIGNAL LINE

TO SYSCON (A) PCB
 J3

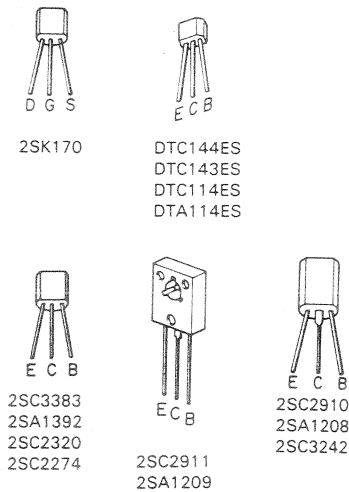
TO SYSCON (A) PCB
 J2
 BOP
 METAL
 C102
 NORMAL
 REC MUTE
 POWER OFF
 OSC CONT

RECORDING HEAD

ERASE HEAD

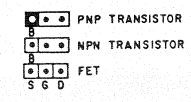


IC101	F6	TR246	B3
IC121	A3	TR246b	B3
IC131	E3	TR247	B2
IC151b	D5	TR247b	B2
IC151c	D6	TR248	B2
IC221	G3	TR248b	B2
IC241	B3	TR301	G4
TR101	G5	TR302	G4
TR101b	F5	TR303	G4
TR102	F6	TR304	G4
TR191	C3	TR312	F4
TR191b	C5	TR313	F4
TR192	C3	TR314	F4
TR192b	C5	TR321	F3
TR201	C5	TR322	F3
TR201b	B5	TR341	D2
TR202	C6	TR342	D2
TR202b	B6	TR343	D2
TR203	C5	TR344	D2
TR203b	B5	TR345	A5
TR204	C6	TR351	E2
TR204b	B6	TR352	E2
TR221	G2	TR354	E1
TR222	G3	TR355	E1
TR241	B4	TR356	E1
TR242	B5	TR358	E1
TR242b	B5	TR359	D1
TR243	B4	TR360	D1
TR243b	B4	TR361	D1
TR244	B4	TR371	A1
TR244b	B4	TR372	A1
TR245	B4	TR373	B1
TR245b	B4	TR374	B1

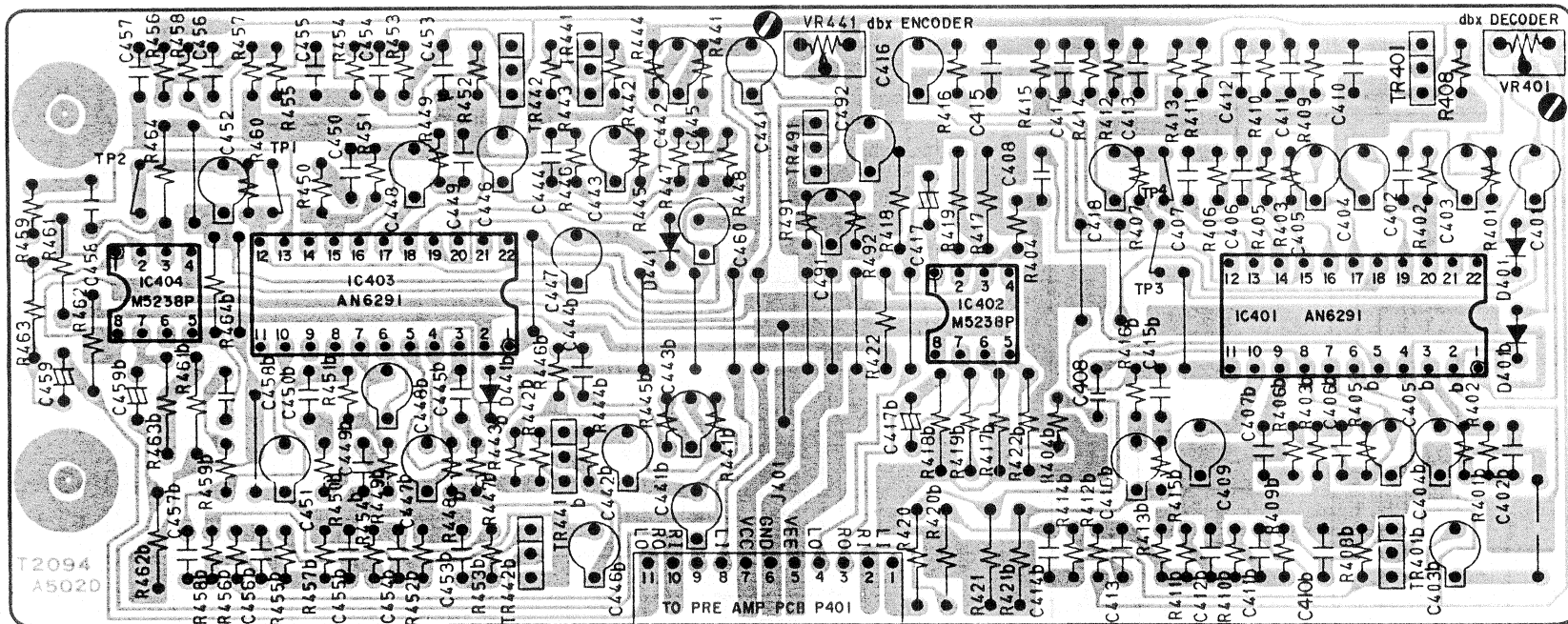


2SC3383	TR101, TR101b, TR303, TR312, TR314, TR191, TR191b, TR192, TR192b, TR247, TR248, TR248b, TR247, TR247b, TR245, TR245b, TR244, TR244b, TR243, TR243b, TR242, TR242b, TR241, TR241b
2SC2911	TR321
2SA1209	TR322
2SC2910	TR301, TR221
2SA1392	TR302, TR304, TR313
2SA1208	TR311, TR222
2SC3242	TR354, TR361
2SC2320	TR360, TR355
2SC2274	TR371, TR372, TR373
2SK170	TR201, TR201b, TR202, TR202b
DTC114ES	TR351, TR356, TR357, TR358, TR359
DTA114ES	TR102, TR341, TR342, TR343, TR344
DTC143ES	TR352
DTC144ES	TR203, TR203b, TR204, TR204b

PRE AMP PCB T2094A501A
 プリアンプ基板



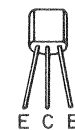
注意: △の付いた部品は安全上重要部品です。交換の際は、指定部品以外は使用しないでください。
 WARNING: △ INDICATES SAFETY CRITICAL COMPONENTS. FOR CONTINUED SAFETY, REPLACE SAFETY CRITICAL COMPONENTS ONLY WITH MANUFACTURER'S RECOMMENDED PARTS.
 注意: △の付いた部品は安全上重要部品です。交換の際は、指定部品以外は使用しないでください。
 ATTENTION: △ INDICATES SAFETY CRITICAL COMPONENTS. FOR CONTINUED SAFETY, REPLACE SAFETY CRITICAL COMPONENTS ONLY WITH MANUFACTURER'S RECOMMENDED PARTS.



2SC3383TR401,TR401b,
TR491,TR442,
TR442b,TR441,
TR441b,

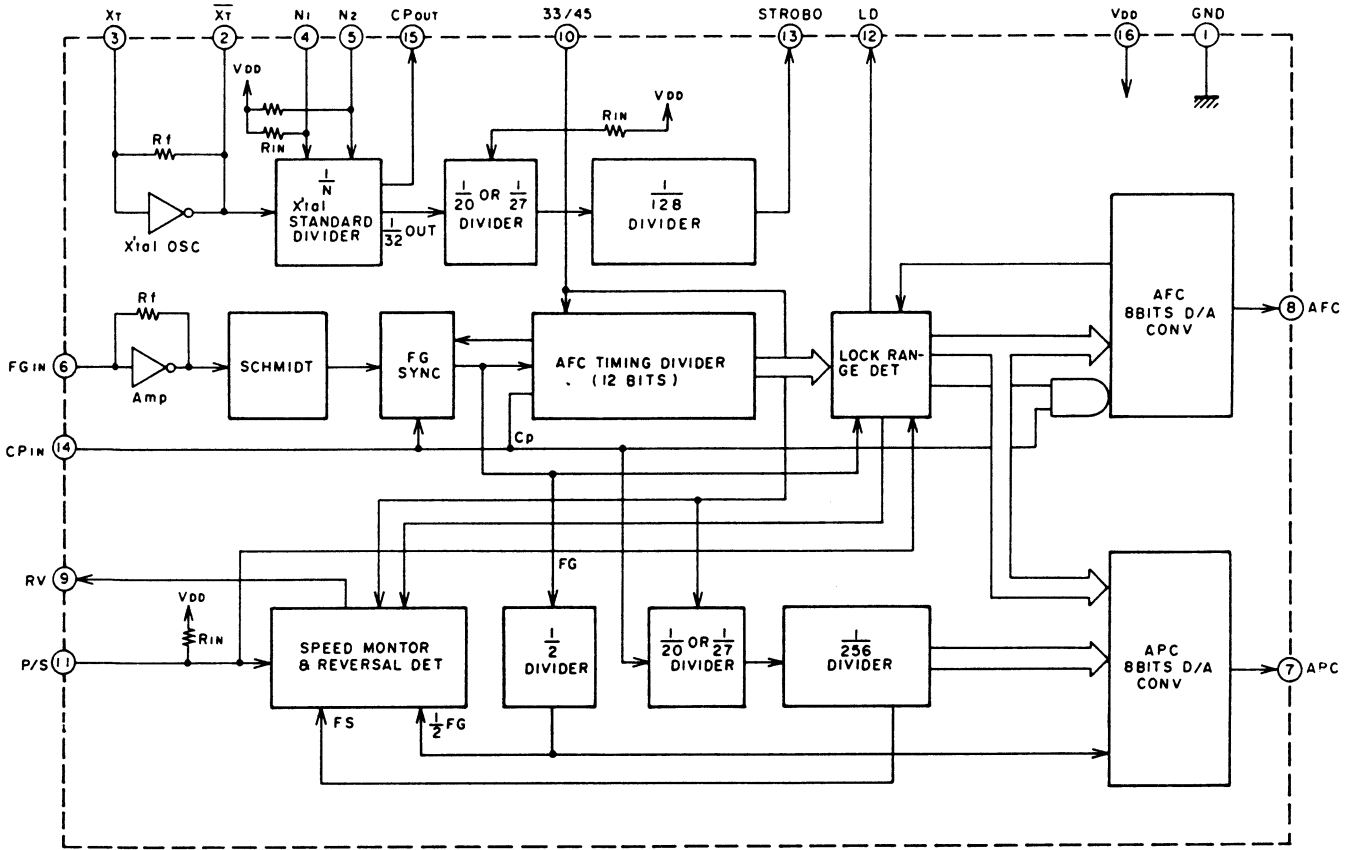
dbx PCB T2094A502D
dbx基板

 NPN TRANSISTOR
B



2SC3383

TC9142P



LC7800

