

STEREO CASSETTE DECK

MODEL **GX-F25**

THIS MODEL IS APPLICABLE TO BOTH SILVER AND BLACK PANEL MODEL

SECTION 1	SERVICE MANUAL	3
SECTION 2	PARTS LIST	23
SECTION 3	SCHEMATIC DIAGRAM	38

SECTION 1

SERVICE MANUAL

TABLE OF CONTENTS

I.	TECHNICAL DATA	4
II.	DISMANTLING OF UNIT	5
III.	CONTROLS	6
IV.	PRINCIPAL PARTS LOCATION	7
V.	VOLTAGE AND CYCLE CONVERSION	8
	1. VOLTAGE CONVERSION	8
	2. CYCLE CONVERSION	8
VI.	MECHANICAL ADJUSTMENT	9
	1. FLYWHEEL LOOSE PLAY ADJUSTMENT	10
	2. PLUNGER POSITIONING	10
	3. PINCH ROLLER PRESSURE MEASUREMENT	10
	4. VARIOUS TORQUE MEASUREMENT	10
	5. TAPE SPEED ADJUSTMENT	10
VII.	HEAD ADJUSTMENT	11
	1. TAPE GUIDE HEIGHT ADJUSTMENT	11
	2. RECORDING/PLAYBACK HEAD HEIGHT ADJUSTMENT	11
	3. RECORDING/PLAYBACK HEAD AZIMUTH ALIGNMENT ADJUSTMENT	11
VIII.	ELECTRICAL ADJUSTMENT	12
IX.	DC RESISTANCE OF VARIOUS COILS	15
X.	CLASSIFICATION OF VARIOUS P.C BOARDS	16
	1. P.C BOARD TITLES AND IDENTIFICATION NUMBERS	16
	2. COMPOSITION OF VARIOUS P.C BOARDS	17

For basic adjustments, measuring methods, and operating principles, refer to GENERAL TECHNICAL MANUAL.

I . TECHNICAL DATA

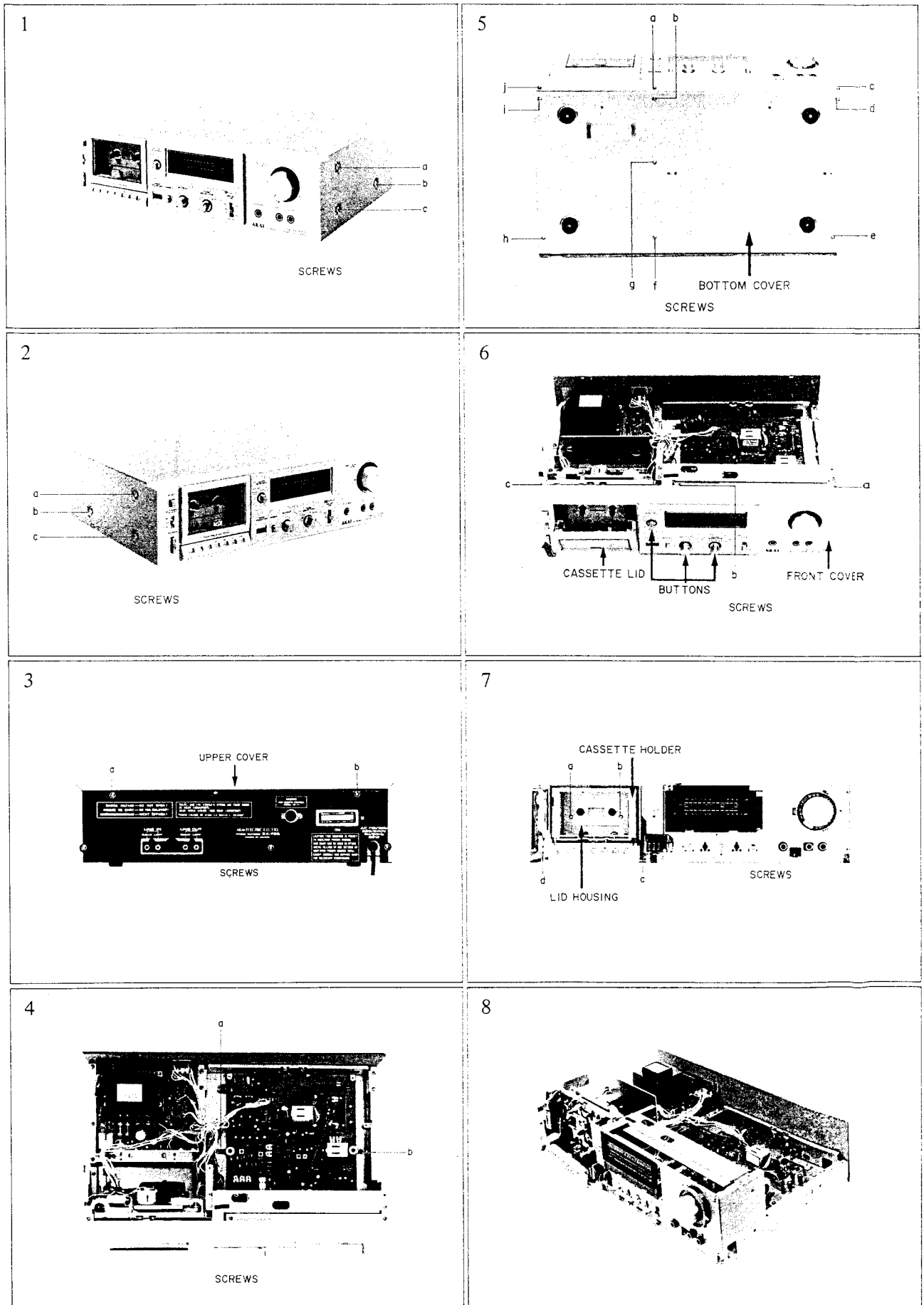
TRACK SYSTEM	4 Track 2 channel stereo system
TAPE	Philips type cassette
TAPE SPEED	4.76 cm/s \pm 1.0% (1-7/8 ips. \pm 1.0%)
HEADS	Erase head \times 1 Twin field super GX head for record/playback \times 1
MOTORS	Electronically speed controlled D.C. motor for capstan drive \times 1 D.C. motor for reel drive \times 1
WOW & FLUTTER	Less than 0.04% WRMS, 0.11% (DIN 45 500)
TAPE WINDING TIME	80 sec. using a C-60 cassette tape
FREQUENCY RESPONSE	LN: 30 to 15,000 Hz \pm 3 dB (-20 VU) LH: 30 to 16,000 Hz \pm 3 dB (-20 VU) CrO ₂ : 30 to 16,500 Hz \pm 3 dB (-20 VU) 30 to 9,000 Hz \pm 3 dB (0 VU) Metal: 30 to 19,000 Hz \pm 3 dB (-20 VU) 30 to 13,000 Hz \pm 3 dB (0 VU)
SIGNAL TO NOISE RATIO	LN: Better than 58 dB LH: Better than 58 dB CrO ₂ : Better than 60 dB Metal: Better than 60 dB (measured via tape with peak recording level) Dolby NR switch ON: Improves up to 10 dB above 5 kHz
HARMONIC DISTORTION	LN: Less than 0.8% LH: Less than 0.8% CrO ₂ : Less than 0.7% Metal: Less than 0.7%
INPUT	MIC: 0.25 mV (input impedance 5.0 kohms) Required microphone impedance: 600 ohms Line: 70 mV (input impedance 47 kohms)
OUTPUT	Line: 410 mV at 0 VU Required load impedance: more than 20 kohms Phone: 100 mV/8 ohms at 0 VU
DIN	Input: 2 mV (input impedance 10 kohms) Output: 410 mV Required load impedance: more than 20 kohms
POWER REQUIREMENTS	100 V, 50/60 Hz for JPN 120 V, 60 Hz for USA and Canada 220 V, 50 Hz for Europe except UK 240 V, 50 Hz for UK and Australia 110/120/220/240 V, 50/60 Hz internally switchable for other countries.
POWER CONSUMPTION	JPN 20 W AAL, CSA, U/T 22 W
DIMENSIONS	440 (W) \times 118 (H) \times 285 (D) mm (17.3 \times 4.6 \times 11.2")
WEIGHT	6.8 kg (15.0 lbs)

* For improvement purpose, specifications and design are subject to change without notice.

* "Dolby" and the Double D system are trademarks of Dolby Laboratories (Manufactured under license from Dolby Laboratories).

II. DISMANTLING OF UNIT

In case of trouble, etc. necessitating dismantling, please dismantle in the order shown in the photographs. Reassemble in reverse order.



III. CONTROLS

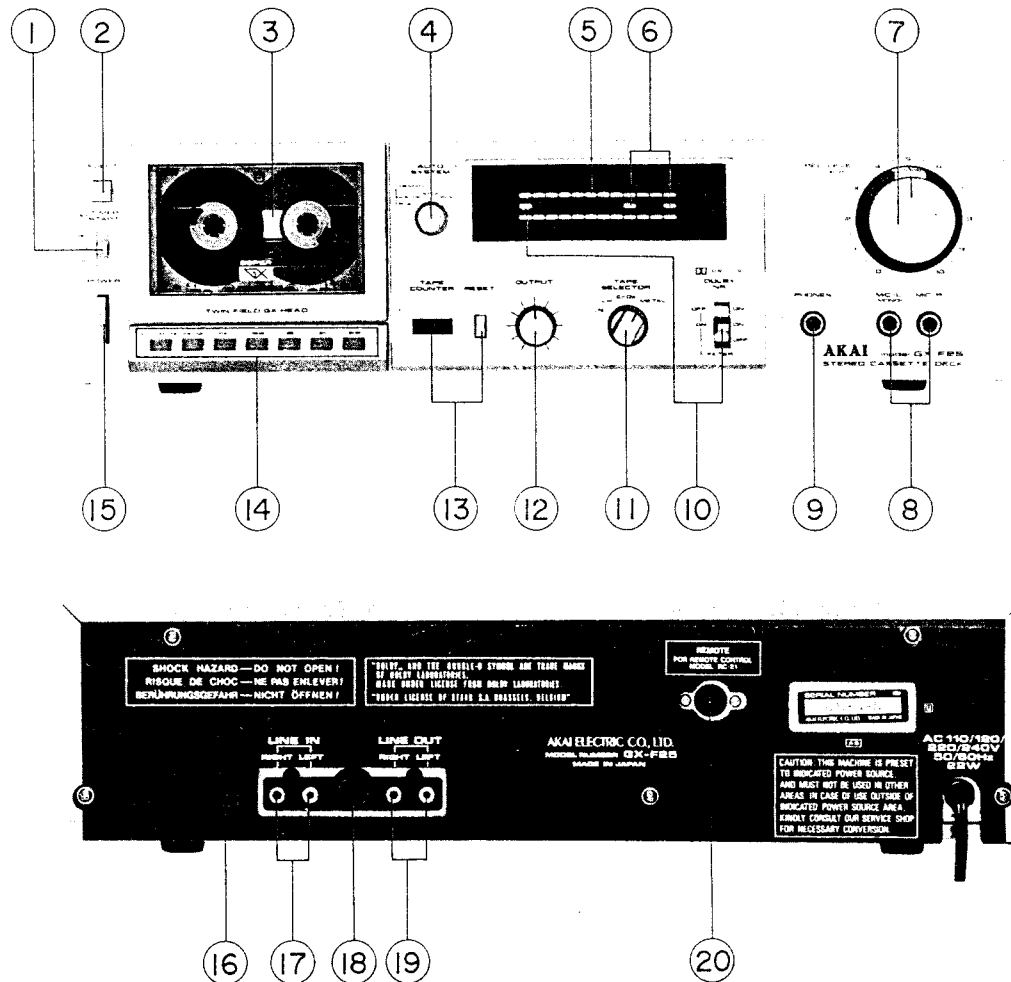


Fig. 1

1. TIMER START SWITCH

REC: Set to this position for absentee recording with a timer.

OFF: Set to this position at all other times when the Timer Start operation is not to be engaged.

PLAY: Set to this position for timed playback with a timer.

2. EJECT Button

3. CASSETTE RECEPTACLE

4. AUTO SYSTEM Selector

5. LED Bar Meters

6. +3dB and +7dB Peak Indicators

7. LEFT → RIGHT RECORDING LEVEL

Controls

* coaxial controls and enumerated positions facilitate easy fade-in (gradual increase in volume at the beginning of a musical selection) and fade-out (gradual decrease in volume at the end) recording operations.

8. MICROPHONE Jacks (left and right)

Connect one microphone to the left jack for monophonic recording.

* Some models have MONO MIC jack. Connect to this jack for monophonic recording.

9. HEADPHONE Jack

Accommodates stereo headphones of 8 ohms impedance for monitoring or private headphone listening.

10. DOLBY NR and FILTER Switch and Indicator

Use for recording and playback with Dolby NR.

DOLBY NR ON, FILTER ON

Use for recording with Dolby NR from FM stereo broadcasts.

DOLBY NR OFF

Use for recording and playback without Dolby NR.

11. TAPE SELECTOR

Set to position corresponding to the tape for the correct equalization and bias adjustment.

LN – Low noise tapes

LH – Low noise high output tapes

CrO₂ – Chrome oxide tapes

METAL – Metal tapes

12. OUTPUT Control

Adjusts line output and headphone volumes.

13. TAPE COUNTER and RESET Buttons

14. Operating Buttons

15. Power Switch

16. LINE/DIN Selector (Some models do not have this facility.)

17. LINE IN Jacks (left and right)

18. DIN Jack (Some models do not have this facility.)

Can be used instead of The LINE INPUT and OUTPUT jacks for connection with an external amplifier through a DIN connection cord.

19. LINE OUT Jacks (left and right)

20. REMOTE CONTROL Jack

Connect the optional Remote Control Unit RC-21 for remote control operation.

Use only an AKAI recommended connecting cord.

IV. PRINCIPAL PARTS LOCATION

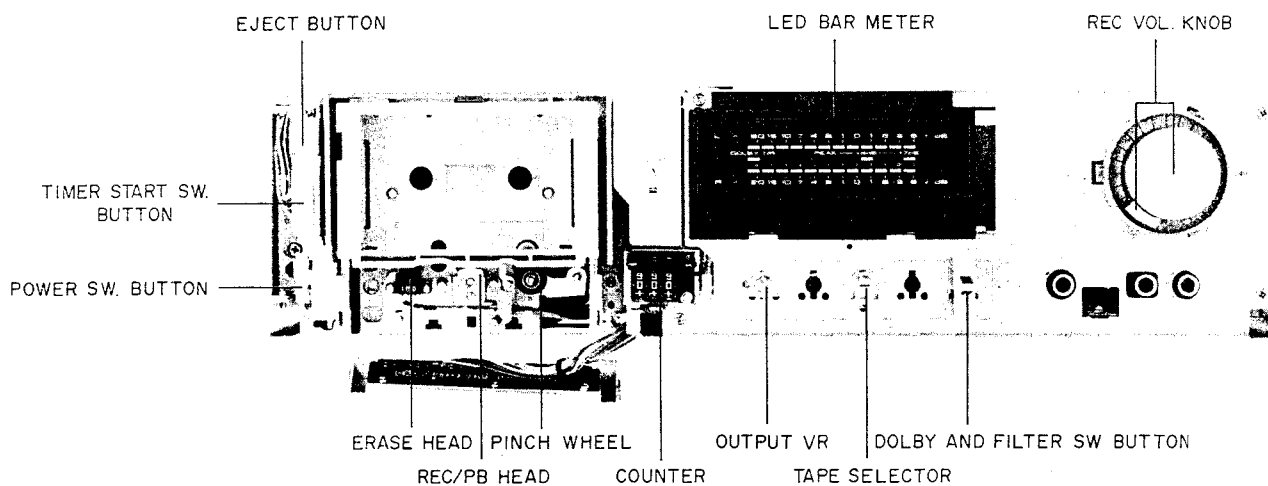


Fig. 2

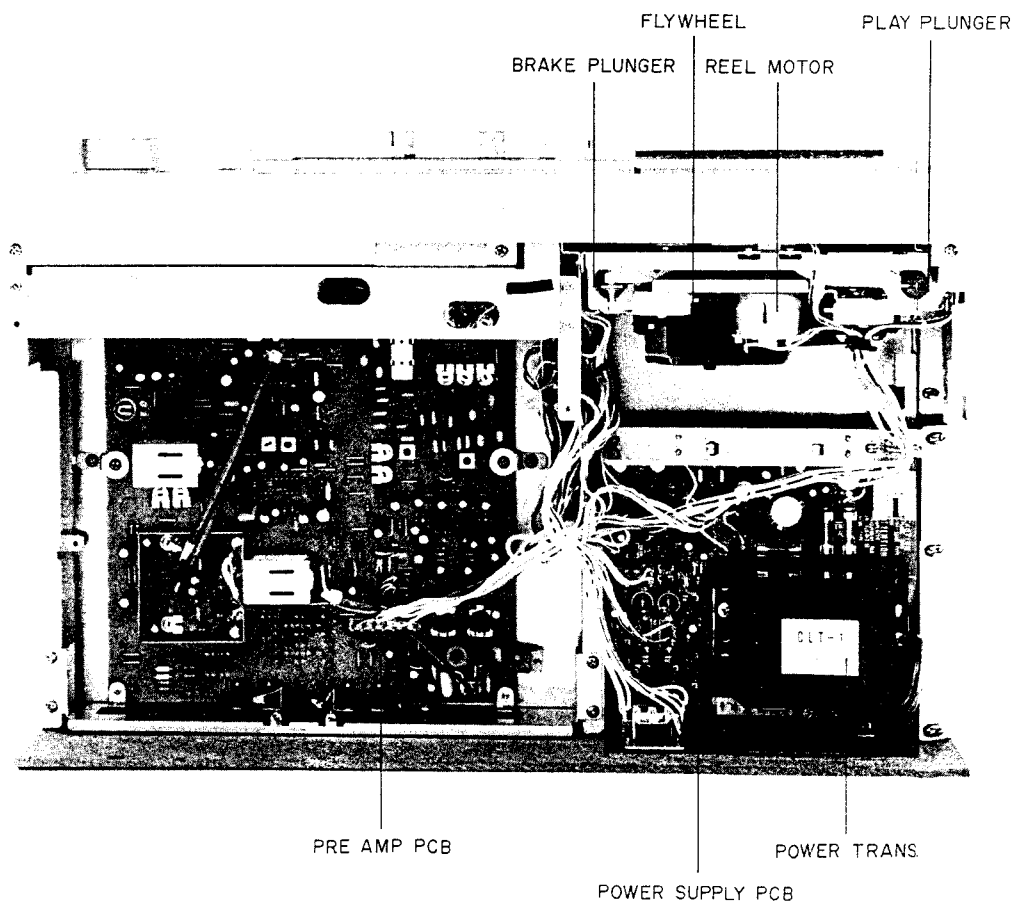


Fig. 3

V. VOLTAGE AND CYCLE CONVERSION

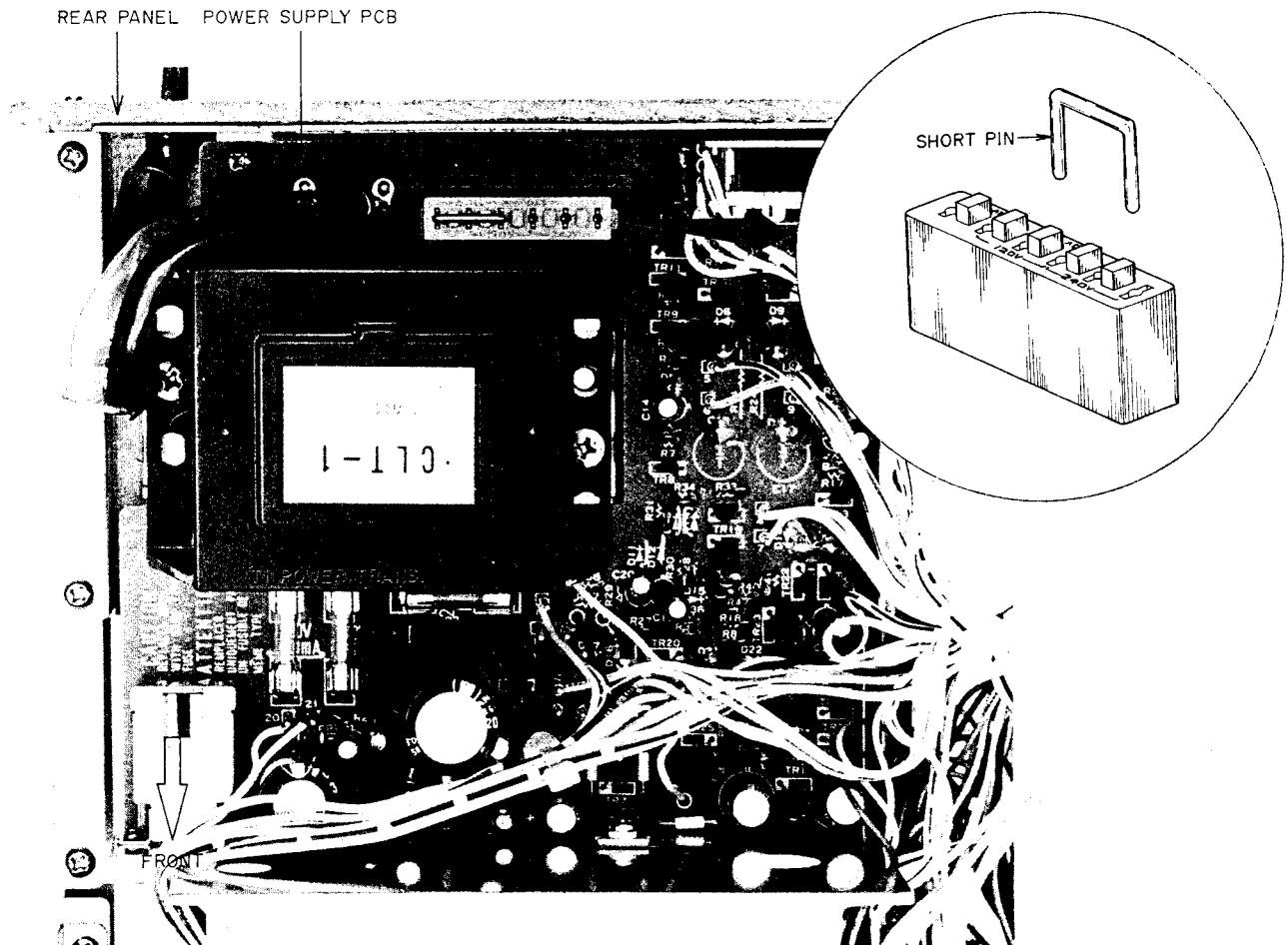


Fig. 4 Voltage Conversion (U/T Model only)

1. VOLTAGE CONVERSION

Models for Canada, Europe, USA, UK, Australia and Japan are not equipped with this facility.

Each machine is preset at the factory according to destination, but some machines can be set to 110 V, 120 V, 220 V or 240 V as required.

If voltage change is necessary, this can be accomplished as follows:

1. Disconnect power cord.
2. Loosen holding screws and remove upper cover.
3. Remove short pin plug from present holes and replace in correct holes.

Follow the markings explicitly.

2. CYCLE CONVERSION

With DC motor, cycle conversion is not necessary.

VI. MECHANICAL ADJUSTMENT

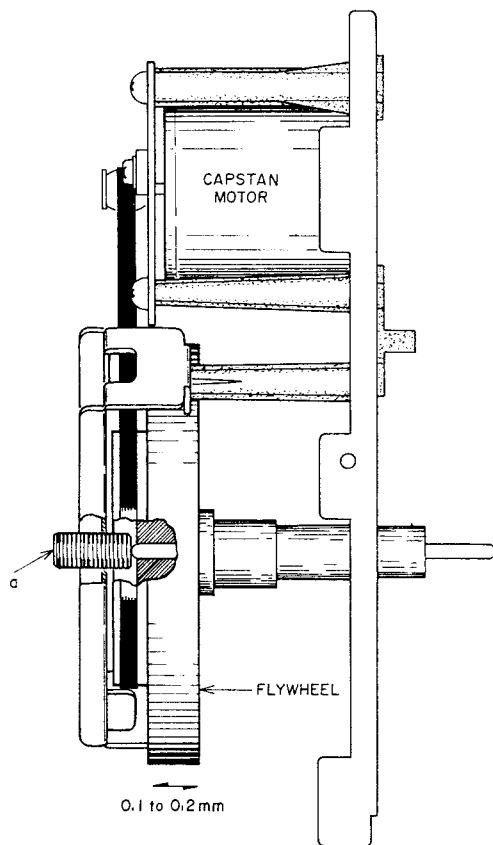


Fig. 5

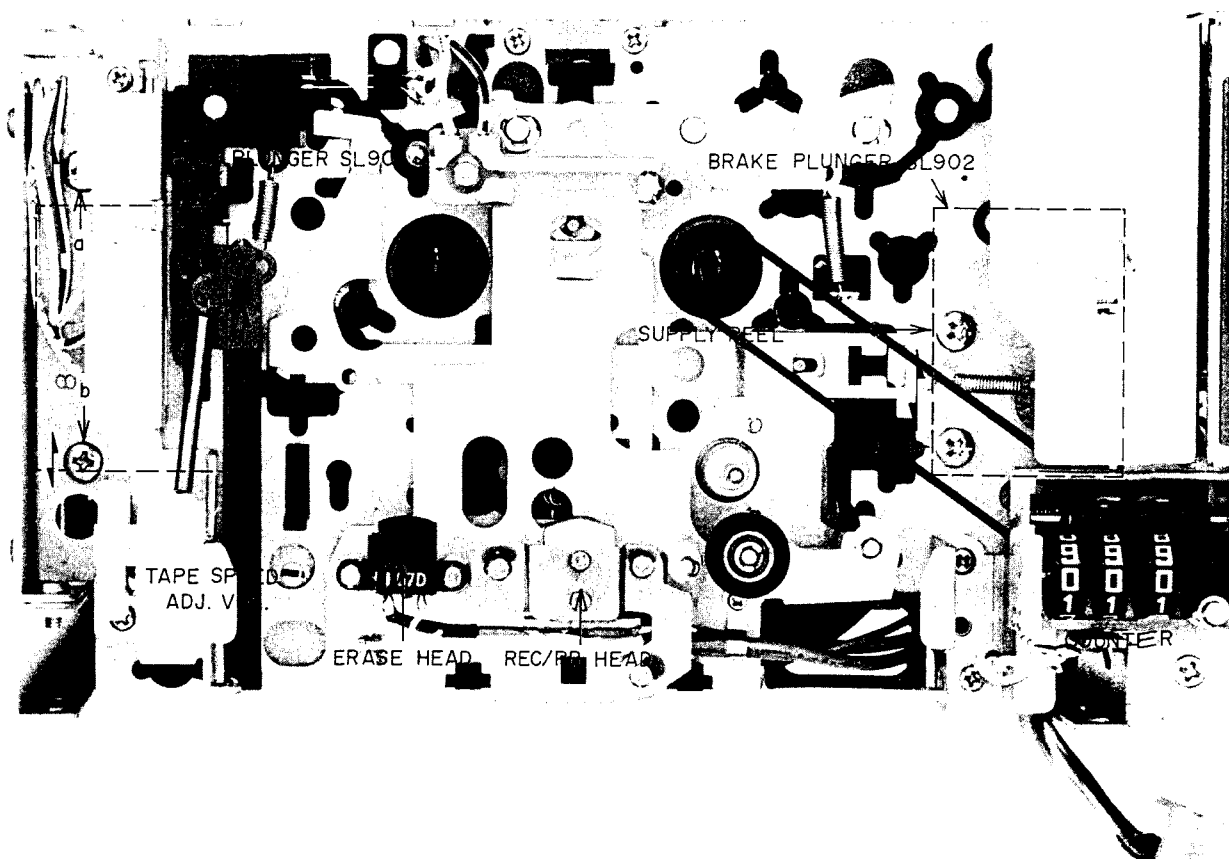


Fig. 6

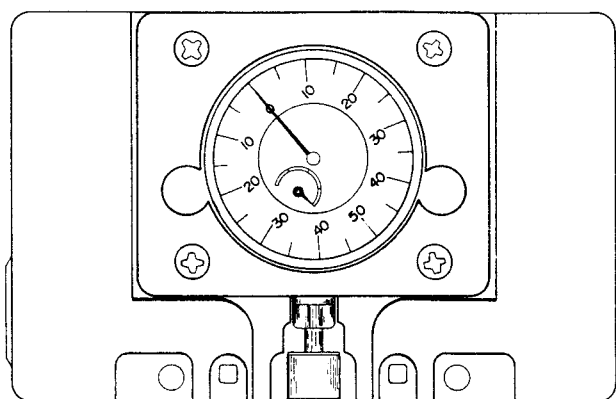


Fig. 7 AKAI Head Projection Gauge

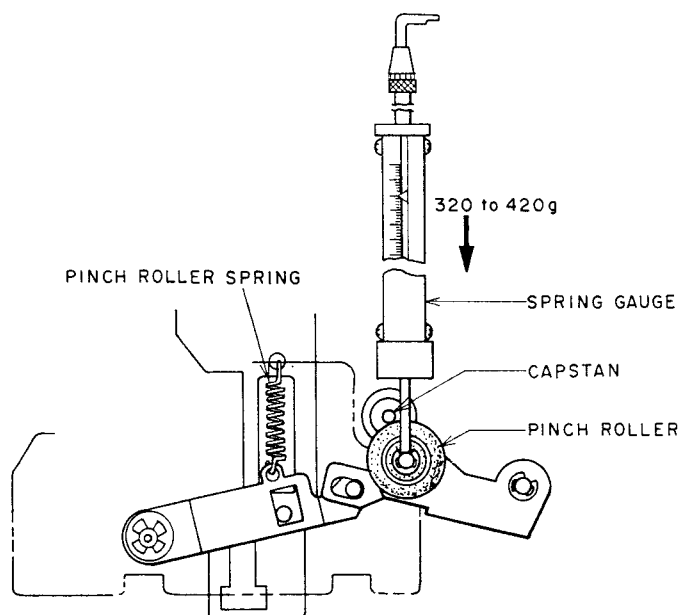


Fig. 8

1. FLYWHEEL LOOSE PLAY ADJUSTMENT (Refer to Fig. 5)

Adjust the screw (a) so that the flywheel moves 0.1 – 0.2 mm in the direction indicated by the arrow.

2. PLUNGER POSITIONING (Refer to Figs. 6, 7)

1) Play Plunger Adjustment

Set the Akai Head Projection Gauge. Adjust the screws (a) and (b) so that when PAUSE mode is engaged, the Head Projection Gauge indicates to $2.5 \text{ mm} \pm 0.05 \text{ mm}$.

2) Brake Plunger Adjustment

Set the Akai Head Projection Gauge. Adjust the screws (c) and (d) so that when play mode is engaged, the Head Projection Gauge indicates to $3.5 \text{ mm} \pm 0.15 \text{ mm}$.

3. PINCH ROLLER PRESSURE MEASUREMENT (Refer to Fig. 8)

At playback mode, push the pinch roller with a

spring gauge until the pinch roller separates from the capstan by about 1 mm to 2 mm and then gently return. Take a reading of the spring gauge indication at the moment the pinch roller touches the capstan and begins to rotate

Specified Pinch Roller Pressure: 320 – 420 g

In case specified pressure cannot be attained, replace the pinch roller spring.

4. VARIOUS TORQUE MEASUREMENT

Use the Cassette Torque Meter to confirm that the value of each mode is as follows:

Take-up Torque 35 ~ 50 g-cm

Back Tension 2 ~ 4 g-cm

FF/RWD Torque 85 ~ 130 g-cm

5. TAPE SPEED ADJUSTMENT

(Refer to Fig. 6)

Playback a 1,000 Hz pre-recorded test tape and adjust the tape speed adjustment volume to obtain a tape speed of $1,000 \text{ Hz} \pm 5 \text{ Hz}$.

VII. HEAD ADJUSTMENT

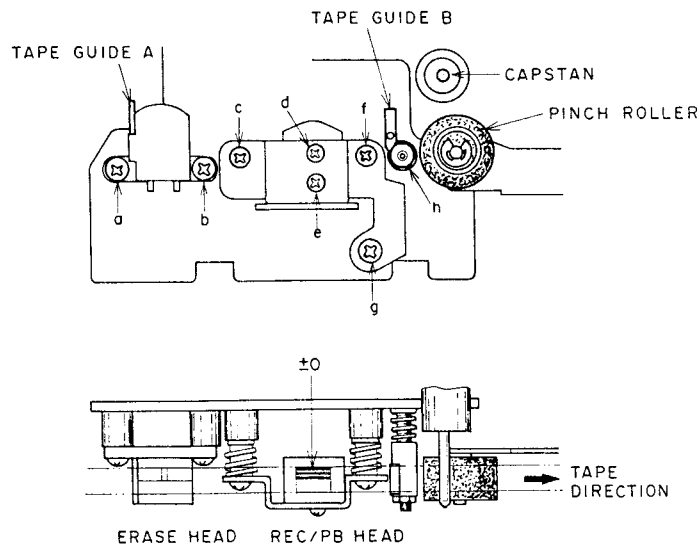


Fig. 9 Head Adjustment

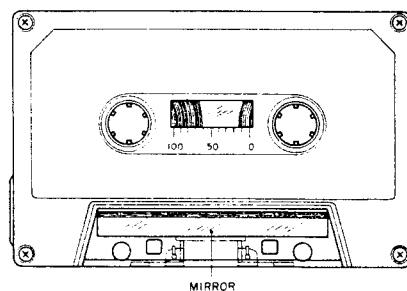


Fig. 10 Mirror Cassette

1. TAPE GUIDE HEIGHT ADJUSTMENT

(Refer to Figs. 9, 10)

- 1) When using an ordinary cassette, the tape guides and heads, etc. are not visible. As shown in Fig. 10 use a cassette tape from which part of the cassette case has been cut out and a mirror installed for easy visibility of the head area when making tape guide height adjustment.
- 2) At playback mode, using the tape guide (A) shown in Fig. 9 as standard for height, adjust tape guide (B) height with tape guide height adjustment nut so that the tape runs smoothly and does not catch on the tape guides.

2. RECORDING/PLAYBACK HEAD HEIGHT ADJUSTMENT (Refer to Figs. 9, 10)

- 1) Utilize the cassette tape used in Tape Guide Height Adjustment above and playback the leader tape part of cassette tape.
- 2) As shown in Fig. 9 adjust head height with screws (c) (f) and (g) until the upper edge of the tape is the same height as the upper edge of the left channel REC/PB head core.
- 3) After adjustment step 2), playback the Head Height Adjustment tape (4 track, 1,000 Hz) and adjust Head Height Adjustment screws (c) (f) and (g) to put the output from both channels to maximum.

3. RECORDING/PLAYBACK HEAD AZIMUTH ALIGNMENT ADJUSTMENT (Refer to Fig. 9)

- 1) Playback a 10 kHz pre-recorded cassette azimuth alignment test tape and adjust screw (g) shown in Fig. 9 to obtain maximum output on both channels.
- 2) Invert cassette and confirm that the output level does not change from that obtained in Item 3-1) above. If the output level differs, adjust in the same way as in Item 3-1) above until both sides of the test tape display equal output.
- 3) After adjustment, better to check again head height and azimuth alignment.

- NOTES:
1. Be sure to clean the heads prior to head adjustment.
 2. Be careful not to use a magnetized driver or other magnetized tools in the vicinity of the heads.
 3. Be sure to demagnetize the heads with a Head Demagnetizer before and after head adjustment.
 4. When a mirror installed cassette test tape as shown in Fig. 10 is required, it can be ordered from AKAI Electric Co.

VIII. ELECTRICAL ADJUSTMENT

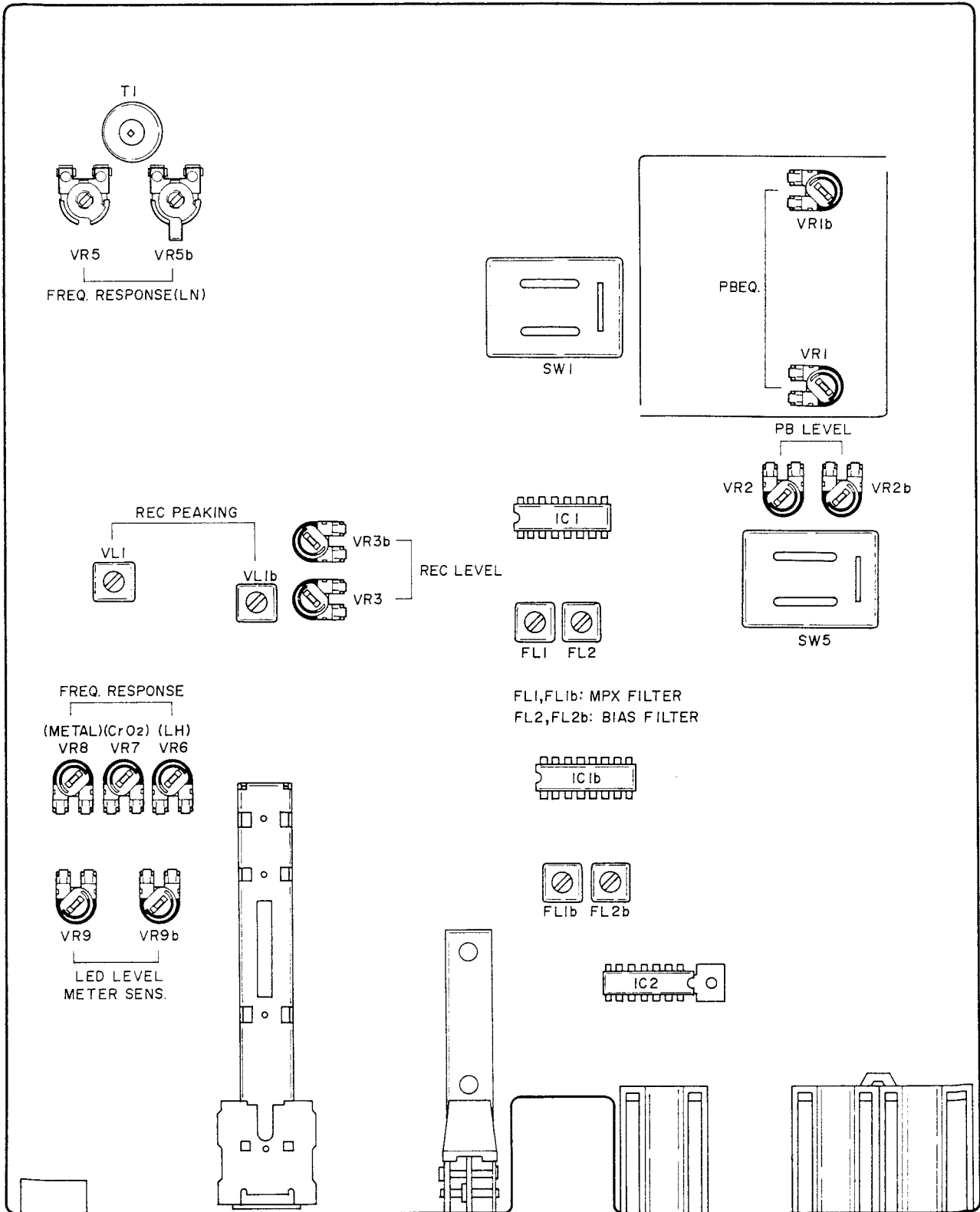


Fig. 11 Pre Amp P.C Board CL-5201 A

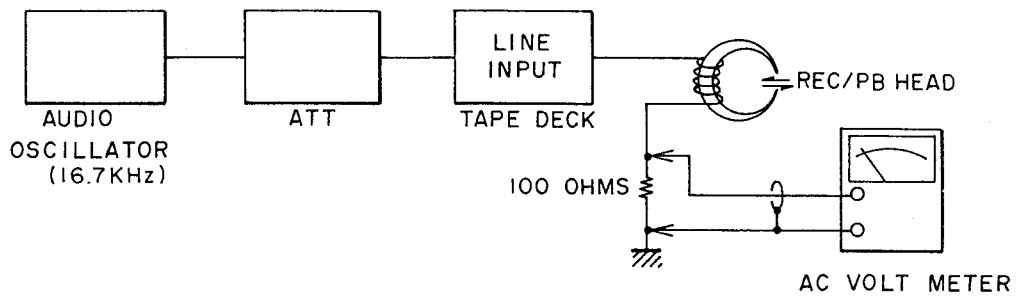


Fig. 12 Rec Peaking Adjustment

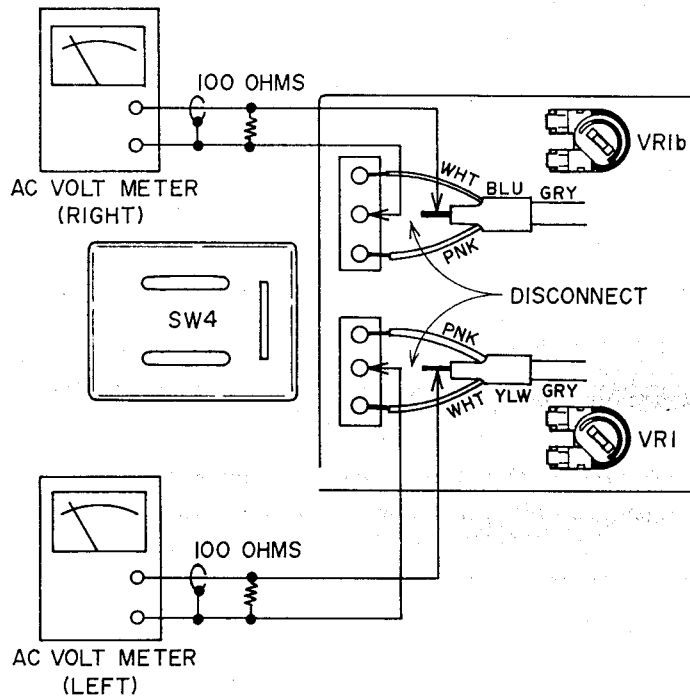


Fig. 13 Rec Peaking

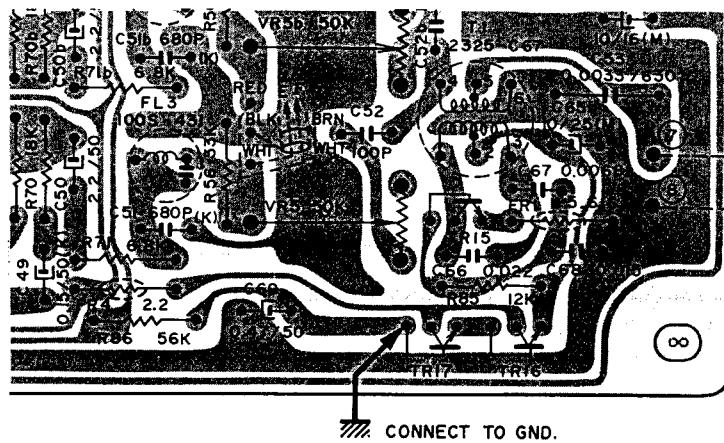


Fig. 14 Rec Peaking

Step	Adjustment Item	Test Tape Supply Signal	Mode	Test Point	Adjustment Parts	Result & Remarks
1	PB Level	Test tape (333 Hz)	PB	Line out	VR2 (50 KB)	-5.5 dBs ± 0.5 dB
2	PB EQ	Test tape (10 kHz)	PB LN position	Line out	VR1 (5 KB)	-19 dBs ± 1 dB
3	LED Level Meter Sens.	1 kHz from OSC	REC	LED Level Meter	VR 9 (20 KB)	1) Adjust the line output level to -5.5 dBs with Rec Volume. 2) Adjust the LED Level Meter indicates 0 dB with VR9.
4	REC Peaking	16.7kHz, -25.5 dBs from OSC	REC LN position	Figs. 12, 13, 14	VL1 (10 mH)	Maximum voltage (Note 4)
5	Frequency Response (LN)	LN Blank tape 1 kHz, 10 kHz -25.5dBs from OSC	REC/PB LN position	Line out	VR5 (100 KB)	1 kHz to 10 kHz flat level
6	Frequency Response (LH)	LH Blank tape 1 kHz, 10 kHz -25.5dBs from OSC	REC/PB LH position	Line out	VR6 (100 KB)	Same as above.
7	Frequency Response (CrO ₂)	CrO ₂ Blank tape 1 kHz, 10 kHz -25.5dBs from OSC	REC/PB CrO ₂ Position	Line out	VR7 (50 KB)	Same as above.
8	Frequency Response (Metal)	Metal Blank tape 1 kHz, 10 kHz -25.5dBs from OSC	REC/PB Metal Position	Line out	VR8 (50 KB)	Same as above.
9	REC Level	LN Blank tape 1 kHz, -5.5 dB from OSC	REC/PB LN position	Line out	VR3 (20 KB)	-5.5 dBs ± 0.5 dB
10	Bias Filter	No Signal	REC Rec Volume Max position	Line out	FL 2	Minimum output
11	MPX Filter	19 kHz from OSC	REC Filter ON	Line out	FL 1	Minimum output

- Notes:
1. The Output Volume should be set at maximum position.
 2. The Input Selector Switch set at "LINE".
 3. Please use the following tapes as measuring tapes.
LN Tape : TDK LN2 C-60
LH Tape : Maxell UD C-60
CrO₂ Tape : TDK SA C-60
Metal Tape : TDK MA-C C-60
 4. Ground the base of TR17, as shown in Fig. 14, to stop the Bias Oscillator from oscillating when conducting Rec peaking adjustment.

IX. DC RESISTANCE OF VARIOUS COILS

Description	Name	DC Resistance
REC/PB Head	PR4-7	650 ohms \pm 10 %
Erase Head	HF213151	3.5 ohms
Play and Brake Plunger	1240 PLT	90 ohms \pm 10 %

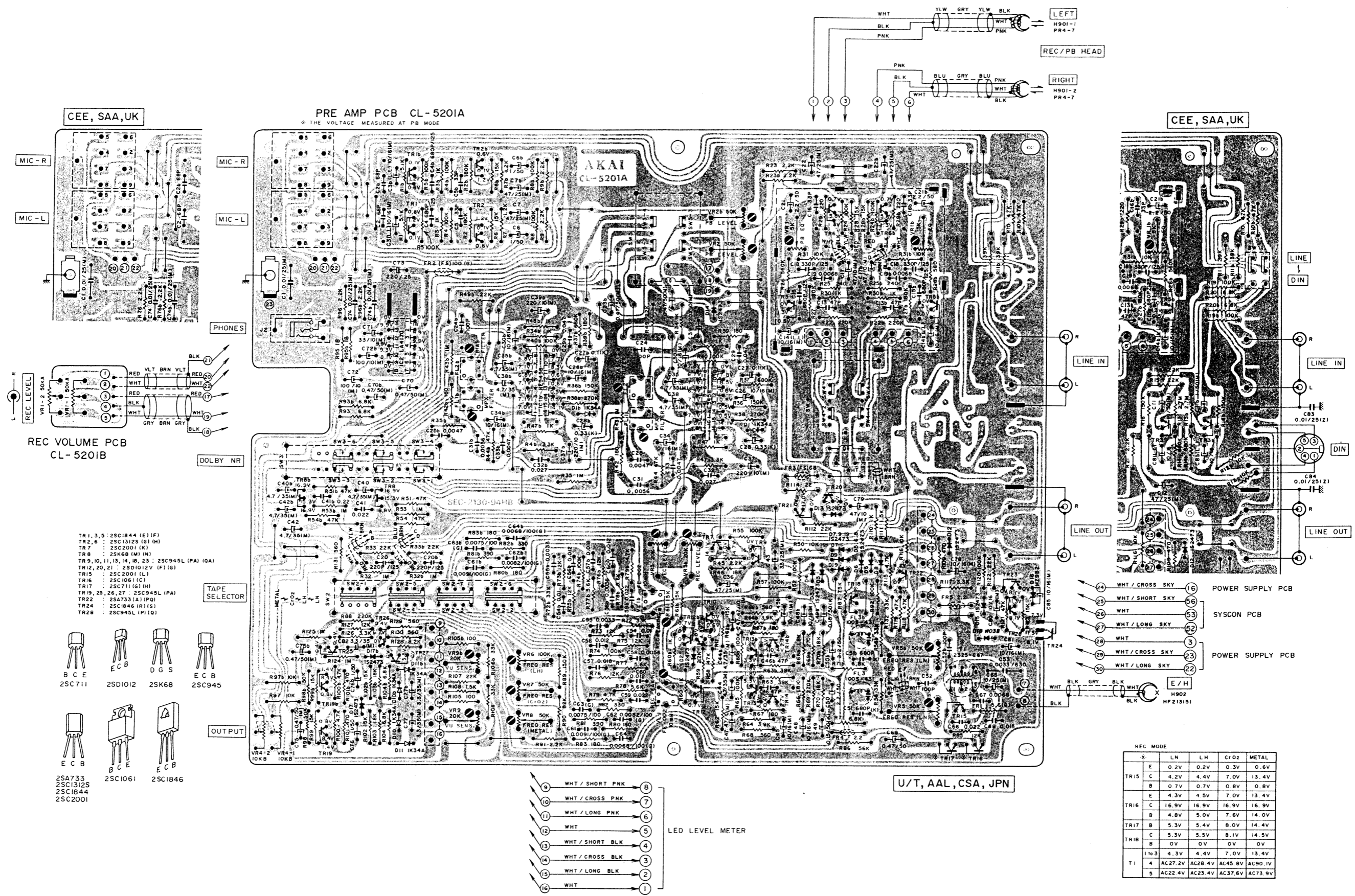
X. CLASSIFICATION OF VARIOUS P.C BOARDS

1. P.C BOARD TITLES AND IDENTIFICATION NUMBERS

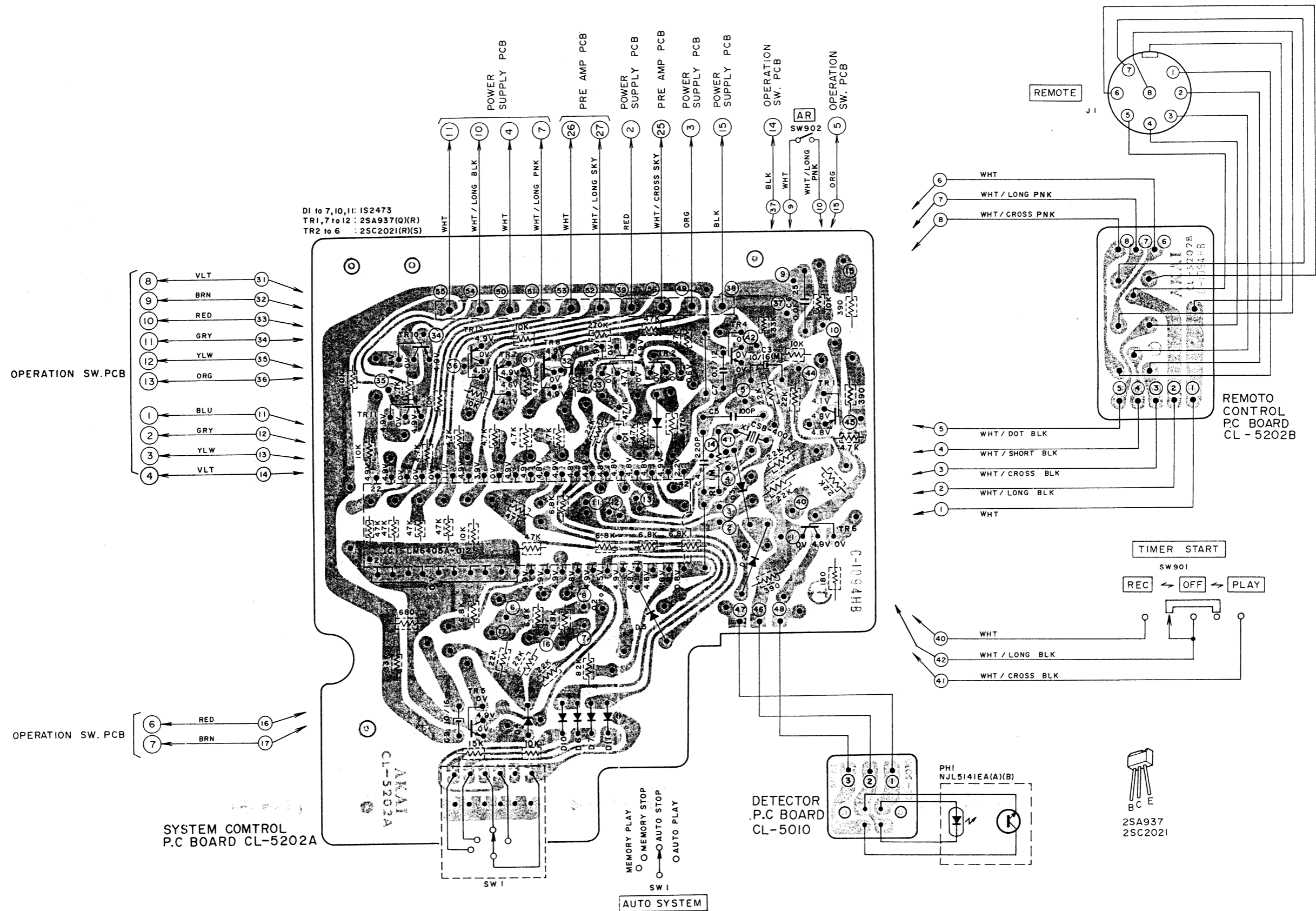
P.C BOARD TITLE	P.C BOARD NUMBER	REMARKS
Pre Amp P.C Board	CL-5201A	
Rec volume P.C Board	CL-5201B	
System Control P.C Board	CL-5202A	
Remote Control P.C Board	CL-5202B	
Power Supply P.C Board (A)	CL-5003	U/T
Power Supply P.C Board (B)	CL-5004	JPN
Power Supply P.C Board (C)	CL-5005	AAL
Power Supply P.C Board (C)	CL-5025	CSA
Power Supply P.C Board (D)	CL-5006	CEE, SAA, UK
Lamp P.C Board	CL-5009	
Detector P.C Board	CL-5010	

2. COMPOSITION OF VARIOUS P.C BOARDS

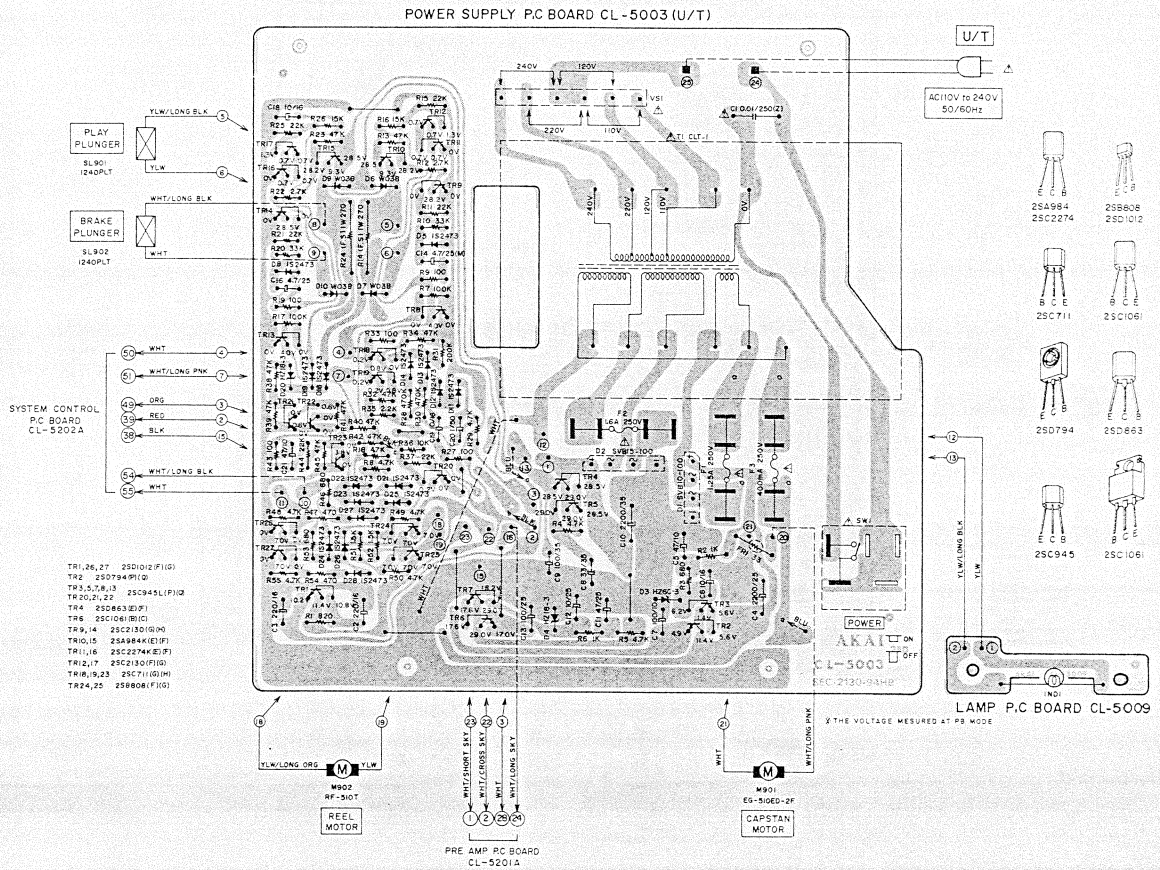
1. Pre Amp P.C Board CL-5201A Rec Volume P.C Board CL-5201B



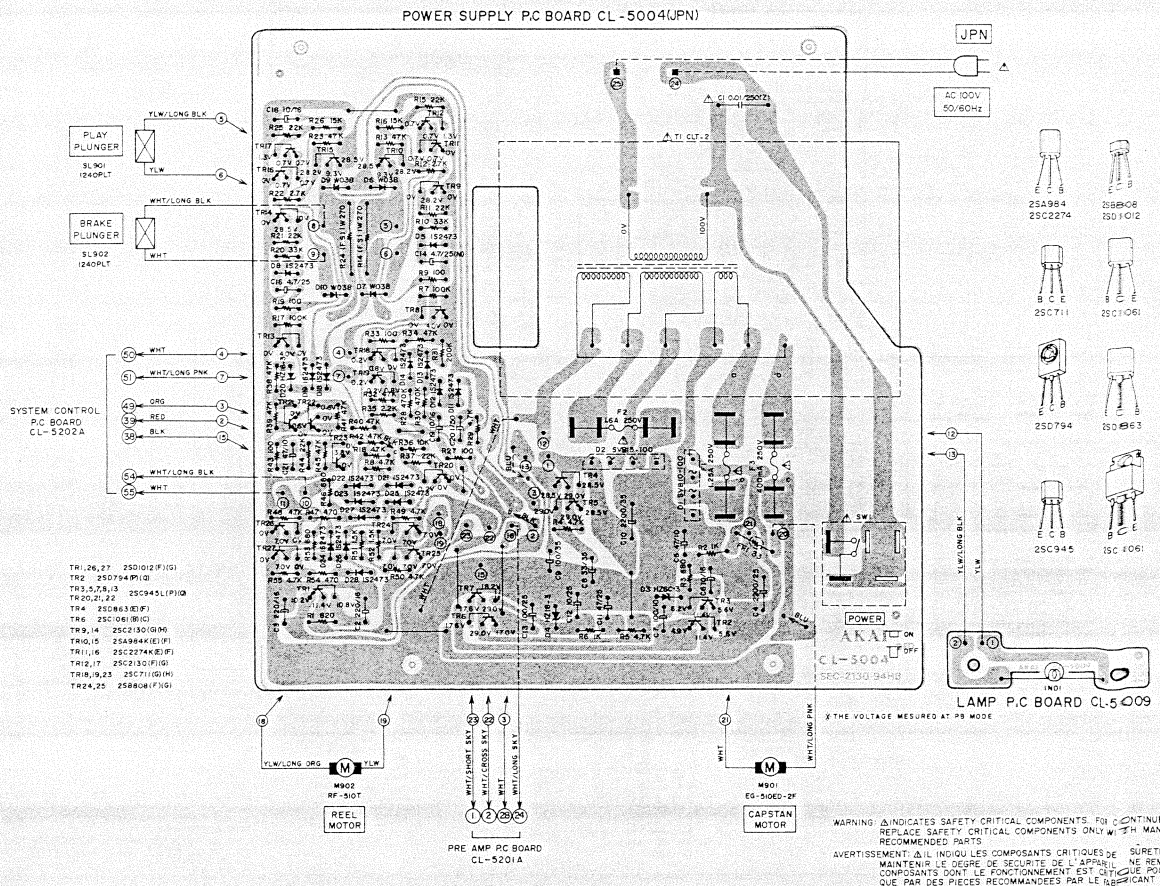
2. System Control P.C Board CL-5202A Remote Control P.C Board CL-5202B Detector P.C Board CL-5010



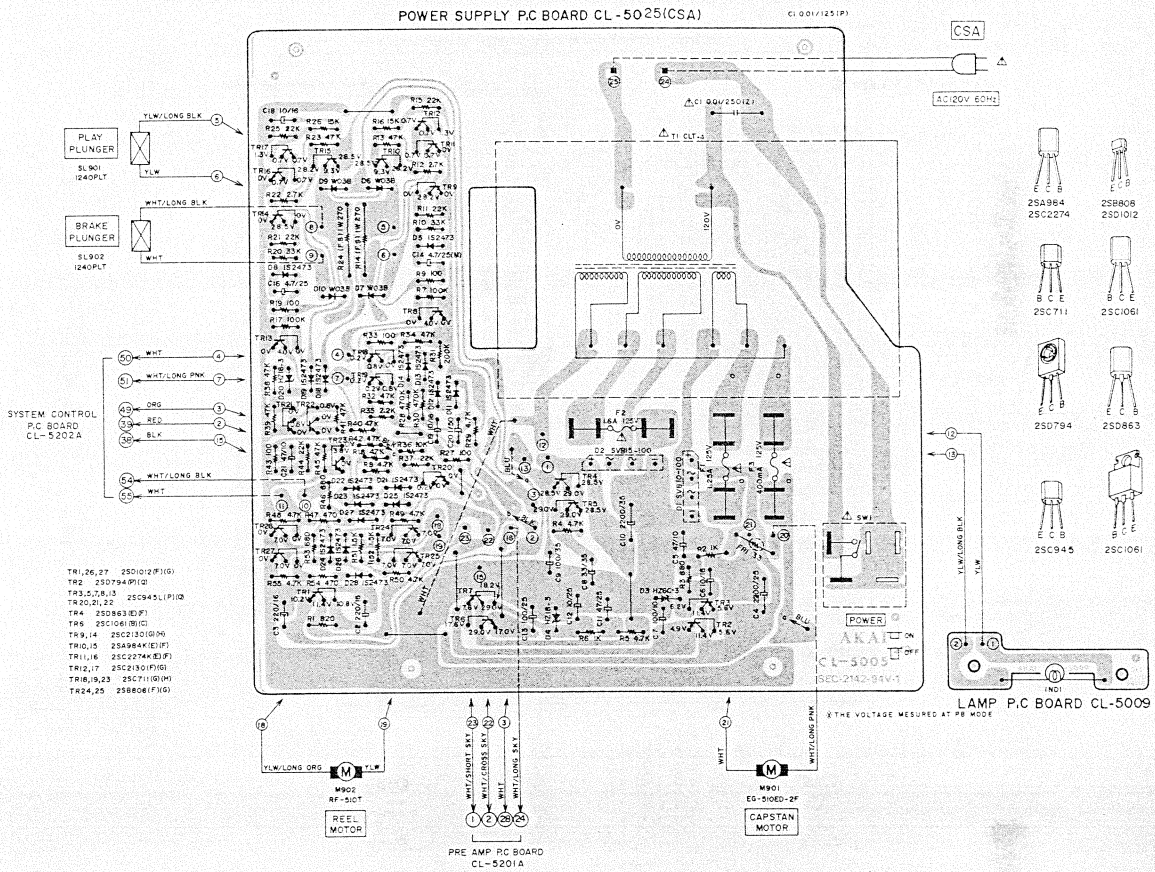
3. Power Supply P.C Board CL-5003 (U/T) Lamp P.C Board CL-5009



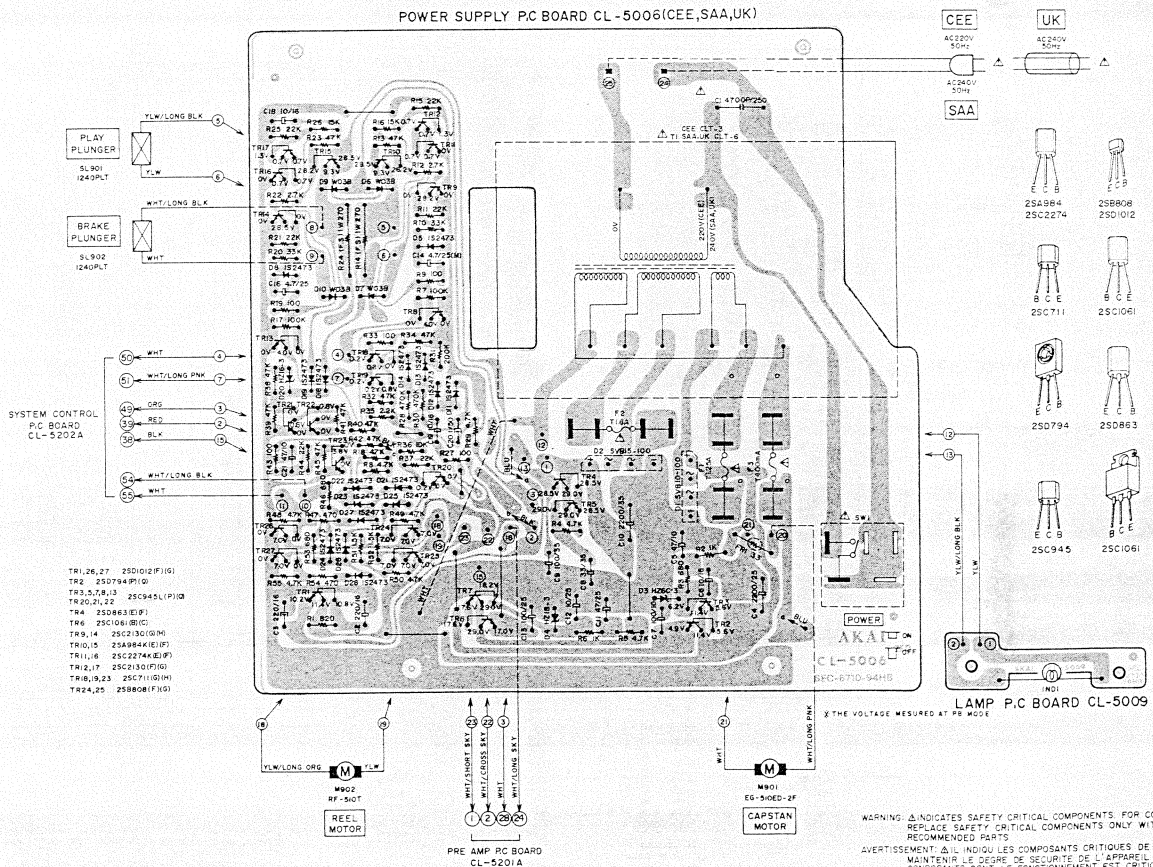
4. Power Supply P.C Board CL-5004 (JPN) Lamp P.C Board CL-5009



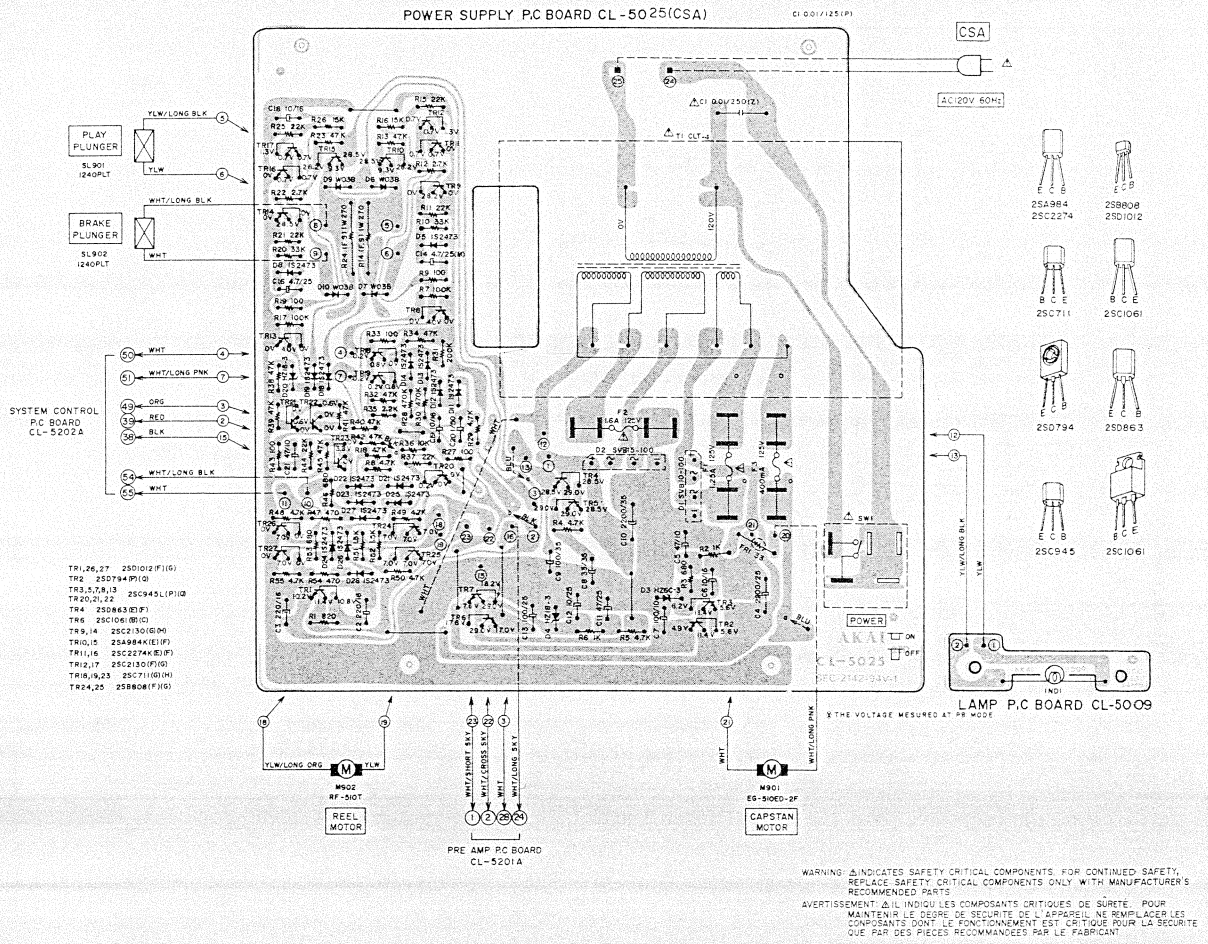
5. Power Supply P.C Board CL-5005 (AAL) Lamp P.C Board CL-5009



6. Power Supply P.C Board CL-5006 (CEE, SAA, UK) Lamp P.C Board CL-5009



7. Power Supply P.C Board CL-5025 (CSA) Lamp P.C Board CL-5009



SECTION 2

PARTS LIST

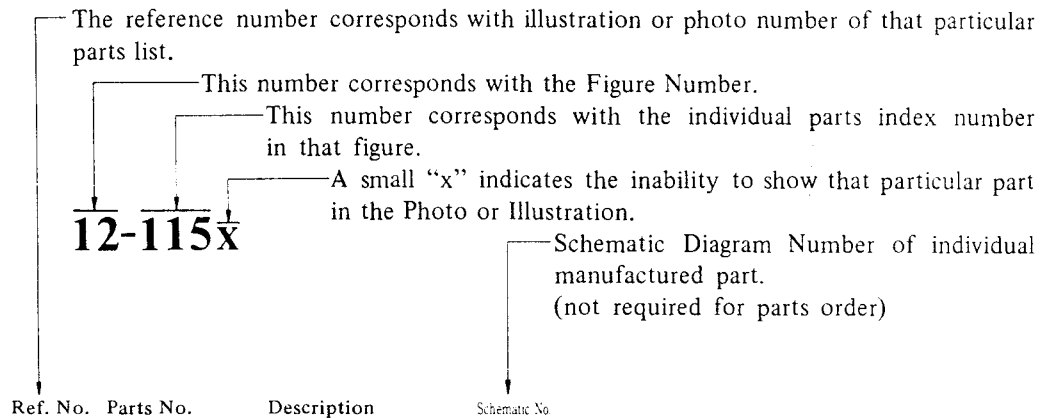
TABLE OF CONTENTS

1. RECOMMENDED SPARE PARTS LIST	26
2. REEL TABLE BLOCK	29
3. MECHA ASSEMBLY BLOCK	30
4. PRE AMP P.C BOARD (CL-5201A) BLOCK	32
5. POWER SUPPLY P.C BOARD (CL-5003/5004/5005/5006) BLOCK ..	33
6. SYS. CON. P.C BOARD (CL-5202A) BLOCK	33
7. ASSEMBLY BLOCK	34
8. FINAL ASSEMBLY BLOCK	36
INDEX	37

Resistor and Capacitor which is not listed in this parts list, please refer to COMMON LIST FOR SERVICE PARTS.

HOW TO USE THIS PARTS LIST

1. This parts list is compiled by various individual blocks based on assembly process.
2. When ordering parts, please describe parts number, serial number, and model number in detail.
3. How to read list.



FLYWHEEL BLOCK #13			
Ref. No.	Parts No.	Description	Schematic No.
12-115x	800425	Flywheel Block Assy. Comp.	RDG #13
12-116	244506	Flywheel Only	RD 233
12-117x	244754	Felt, Flywheel	RD 275
12-118	251324	Main Metal Case	RD 236
12-119	253080	Main Metal	RD 237

4. The symbol numbers shown on the P.C. Board list can be matched with the Composite Views of components of the Schematic Diagram or Service Manual.
5. The indications of Resistors and Capacitors in the photos of P.C. Board are being eliminated.
6. The shape of the parts and parts name, etc. can be confirmed by comparing them with the parts shown on the Electrical Parts Table of P.C. Board.
7. Both the kind of part and installation position can be determined by the Parts Number. To determine where a parts number is listed, utilize Parts Index at end of Parts List.
It is necessary first of all to find the Parts Number. This can be accomplished by using the Reference Number listed at right of parts number in the Parts Index. (meaning of ref. no. outlined in Item 3 above).
8. Utilize separate "Price List for Parts" to determine unit price. The most simple method of finding parts Price is to utilize the reference number.

CAUTION:

1. When placing an order for parts, be sure to list the parts no. model no., and description. There are instances in which if any of this information is omitted, parts cannot be shipped or the wrong parts will be delivered.
2. Please be careful not to make a mistake in the parts no. If the parts no. is in error, a part different from the one ordered may be delivered.
3. Because parts number and parts unit supply in the Preliminary Service Manual (Basic Parts List) may be partially changed, please use this parts list for all future reference.

WARNING: \triangle INDICATES SAFETY CRITICAL COMPONENTS. FOR CONTINUED SAFETY, REPLACE SAFETY CRITICAL COMPONENTS ONLY WITH MANUFACTURER'S RECOMMENDED PARTS.

AVERTISSEMENT: \triangle IL INDIQU LES COMPOSANTS CRITIQUES DE SURETE. POUR MAINTENIR LE DEGRE DE SECURITE DE L'APPAREIL NE REMPLACER LES COMPOSANTS DONT LE FONCTIONNEMENT EST CRITIQUE POUR LA SECURITE QUE PAR DES PIECES RECOMMANDEES PAR LE FABRICANT.

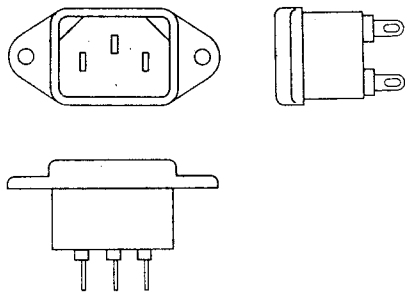
AC INLET SYSTEM

This model is equipped with an AC INLET SYSTEM. Please refer to the AC INLET SYSTEM CHART below for the specific type. By the AC INLET SYSTEM, AC (mains) cord can be connected to and disconnected from the model because the model is provided with socket exclusively for AC (mains) cord on its main body.

Please note, however, that certain models are not equipped with this system and has a built-in AC (mains) cord as before.

AC INLET SYSTEM CHART

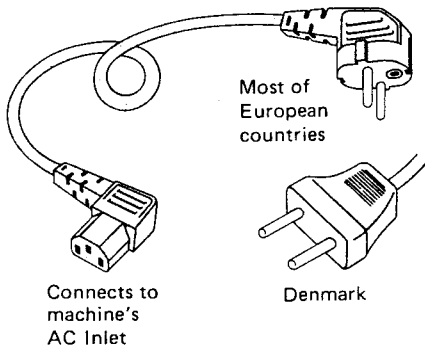
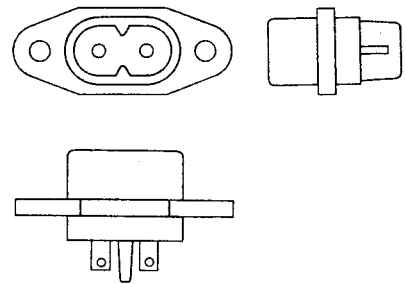
CLASS I



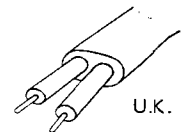
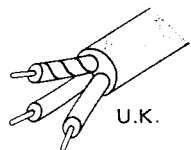
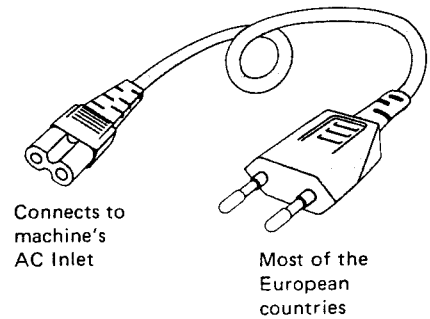
Picture 1
AC INLET
to be
installed
on machines

CLASS II

This mark indicating double insulation will be attached to machine's rear panel



Picture 2
AC (mains)
cord



Parts List for AC (mains) Cord Set

	Standard	Description	Type of AC Inlet	Parts No.
Class I	CEE	Cord Set CEE (3 cores)	3P	EW302993
	UK	Cord Set UK (3 cores)	3P	EW302994
	SAA	Cord Set SAA (3 cores)	3P	EW302996
	U/T	Cord Set U/T (3 cores)	3P	EW302646
Class II	CEE	Cord Set CEE (2 cores)	2P	EW638144
	UK	Cord Set UK (2 cores)	2P	EW302995
	SAA	Cord Set SAA (2 cores)	2P	EW302991
	U/T	Cord Set U/T (2 cores)	2P	EW302899

1. RECOMMENDED SPARE PARTS LIST

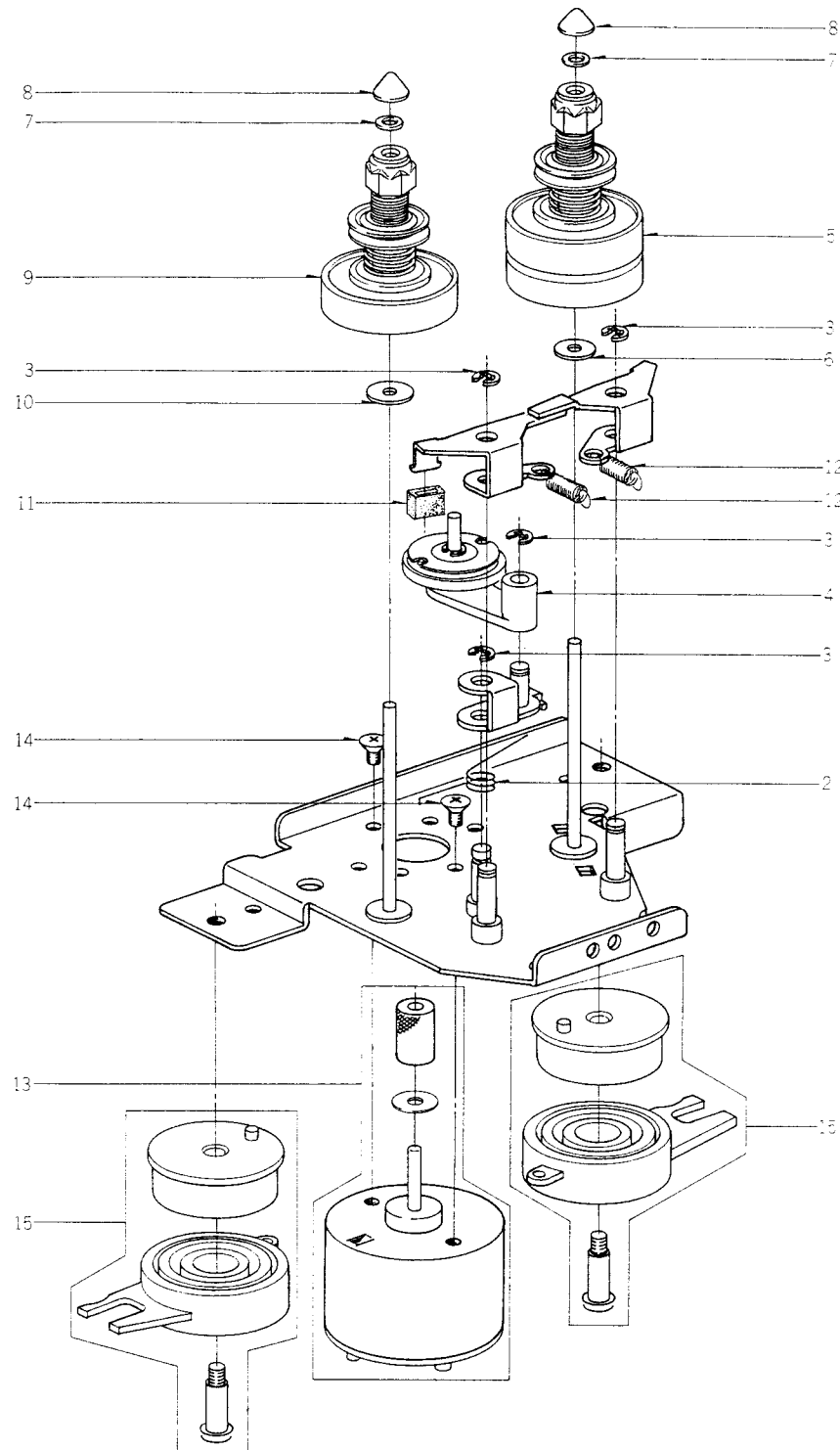
Because, if the parts listed below are on hand, almost any repair can be accomplished, we suggest that you stock these Recommended Spare Parts Items.

Parts No.	Description	Notes
BA600137	Power PC (A) BLK GX-F25 (U)	U/T
BA600138	Power PC (B) BLK GX-F25 (J)	JPN
BA600140	Power PC (C) BLK GX-F25 (A)	AAL
BA600141	Power PC (D) BLK GX-F25 (E)	CEE, UK, SAA
BA600759	Power PC (E) BLK GX-F25 (C)	CSA
BA600319	Pre Amp PC BLK GX-F25 (E)	CEE, UK, SAA
BA600154	Pre Amp PC BLK GX-F25 (U)	U/T, JPN, CSA, AAL
BA600126	Syscon PC BLK GX-F25	
BH329370	Head BLK GX-F35	
BK328417	SW Operation GX-F35 7P L	
BK328528	SW Operation GX-F35-BL 7P L	
BL328427	Take-Up Idler ASSY	
BL328426	Wind Idler ASSY	
BM329353	Main Motor BLK (W/Pulley) GX-F35	
BM329350	Reel Motor BLK	
BR328425	Supply Reel Table ASSY	
BR328424	Take-Up Reel Table ASSY	
BT328401	△ Trans Power CLT-1	U/T
BT328402	△ Trans Power CLT-2	JPN
BT328403	△ Trans Power CLT-3	CEE
BT328404	△ Trans Power CLT-4	CSA, AAL
BT328405	△ Trans Power CLT-6	UK, SAA
ED308952	D Germa V 1K34A-LR F07	
ED317594	D Silicon H 1S2473HL F12	
ED316143	D Silicon H 1S2473HS F10	
ED309357	D Silicon SVB15-100 100/1.5A	
ED560913	D Silicon V 1S2473VE	
ED306109	D Silicon W03B 100/1.0A	
ED313846	D Zener H HZ16 3	
ED329449	D Zener H HZ18 3	
ED319167	D Zener H HZ6 C3	
ED321180	D Zener H HZ9 B2	
EF668474	△ Fuse SEMKO T 250V 0.40A	CEE, UK, SAA
EF602550	△ Fuse SEMKO T 250V 1.25A	CEE, UK, SAA
EF601964	△ Fuse SEMKO T 250V 1.60A	CEE, UK, SAA
EF309389	△ Fuse TSC A 250V 0.40A	U/T, JPN
EF306949	△ Fuse TSC A 250V 1.25A	U/T, JPN
EF311839	△ Fuse TSC A 250V 1.60A	U/T, JPN
EF308848	△ Fuse TSC 125V 0.40A	CSA, AAL
EF309392	△ Fuse TSC 125V 1.25A	CSA, AAL

Parts No.	Description	Notes
EF308847	△ Fuse TSC 125V 1.60A	CSA, AAL
EI306141	IC LA4170	
EI328407	IC LM6405A-012	
EI605013	IC NE545B	
EI329411	Photo Sensor NJL5141E-B A,B	
EL200096	PL Lead 3.5V 100mA	
EO328485	Coil OSC 1 2325-067 100KHz	
EO315758	Coil TUN1 100S-431 100KHz	
EP328419	Solenoid 1240PLT 27V	
EP328420	Solenoid 1240PLT 27V	
ER328520	△ R Fuse ERD2FC 1/4W 1000G	
ER200595	△ R Fuse ERD2FC 1/4W 5R6J	
ER325381	△ R Fuse FR25SJ 1/4W 2R2J	
ER201803	△ R Fuse FR25SJ 1/4W 680J	
ER328490	Filter DB D07-001K 19KHz	
ER328491	Filter DB D07-003K 100KHz	
ER200972	R Fuse ERD2FC 1/4W 33R0G	
ES310839	△ SW Push SDG1P-E 01-1 E	U/T, CEE, UK, SAA
ES328430	SW Leaf BSW-101B 01-1 NO	
ES321274	SW Lever 63349 2-06-03S	
ES315159	SW Push SDG1P 01-1 J	
ES655806	SW Push SDG1P-J 01-1 C	
ES665875	SW Push SDG1P-J 01-1 UC	
ES200973	SW Rotary SBU1024N 1-02-04N	
ES328413	SW Rotary SRZW84S 2-08-04S	
ES328416	SW Slide SSB02385 2-02-03S	
ES283072	SW Slide SSC22LP 2-02-02N	CEE, UK, SAA
ES328415	SW Solenoid SWE018401 18V 04-2S	
ES328530	SW Solenoid SWE018404 18V 04-2N	
ET301464	TR FET 2SK68 M,N	
ET200558	TR 2SA1115 E,F	
ET328436	TR 2SA937 Q,R	
ET324134	TR 2SA984K E,F	
ET328438	TR 2SB808-V F,G	
ET375603	TR 2SC1061 B,C	
ET402682	TR 2SC1061 C	
ET603257	TR 2SC1312S G,H	
ET308954	TR 2SC1844 E,F	
ET310920	TR 2SC1846 R,S	
ET309343	TR 2SC2001 K,L	

Parts No.	Description	Notes
ET300044	TR 2SC2001 L	
ET328435	TR 2SC2021 R,S	
ET311868	TR 2SC2130 F,G	
ET308937	TR 2SC2130 G,H	
ET309353	TR 2SC2274 E,F	
ET308141	TR 2SC2603 G	
ET638504	TR 2SC945L PA	
ET639437	TR 2SC945L QA,PA	
ET328437	TR 2SD1012-V F,G	
ET307349	TR 2SD794 P,Q	
ET328440	TR 2SD863-V8 E,F	
EV308842	R S-Fix H D10 3P 503	
EV321637	R S-Fix H D8 3P 104	
EV315414	R S-Fix H D8 3P 203	
EV315412	R S-Fix H D8 3P 502	
EV315413	R S-Fix H D8 3P 503	
EV329416	VR Rotary 16P11xOR 15A503 15A503	
EV329417	VR Rotary 16P20x1Y B103	
EW313884	△ AC Cord 2 Cores GTBS-2F 24/0.20x2 B	UK
EW306428	△ AC Cord 2 Cores KP-205A, VFF UCJ	U/T
EW306427	△ AC Cord 2 Cores KP-211, VFF J	JPN
EW313882	△ AC Cord 2 Cores KP-419C, LTCE-2F E	CEE
EW313883	△ AC Cord 2 Cores KP-560, VFSA-2 S	SAA
EW305691	△ AC Cord 2 Cores KP-8, SPT-1 UC	CSA, AAL
EZ328406	OSC CE CSB400A 0.000400MHz	
HE321585	Head E HF213151 C	
HP319079	Head REC/PBPR4-7	
MC328428	Counter SMP393-10	
MC328429	Counter (BL) SMP 393-09	
ML328513	Pinch Roller Arm Part GX-F35	
MP319580	Pinch Roller Part GX-F90	
MV328322	Main Case	
MZ283140	Socket Selector X-17238 6P	

2. REEL TABLE BLOCK

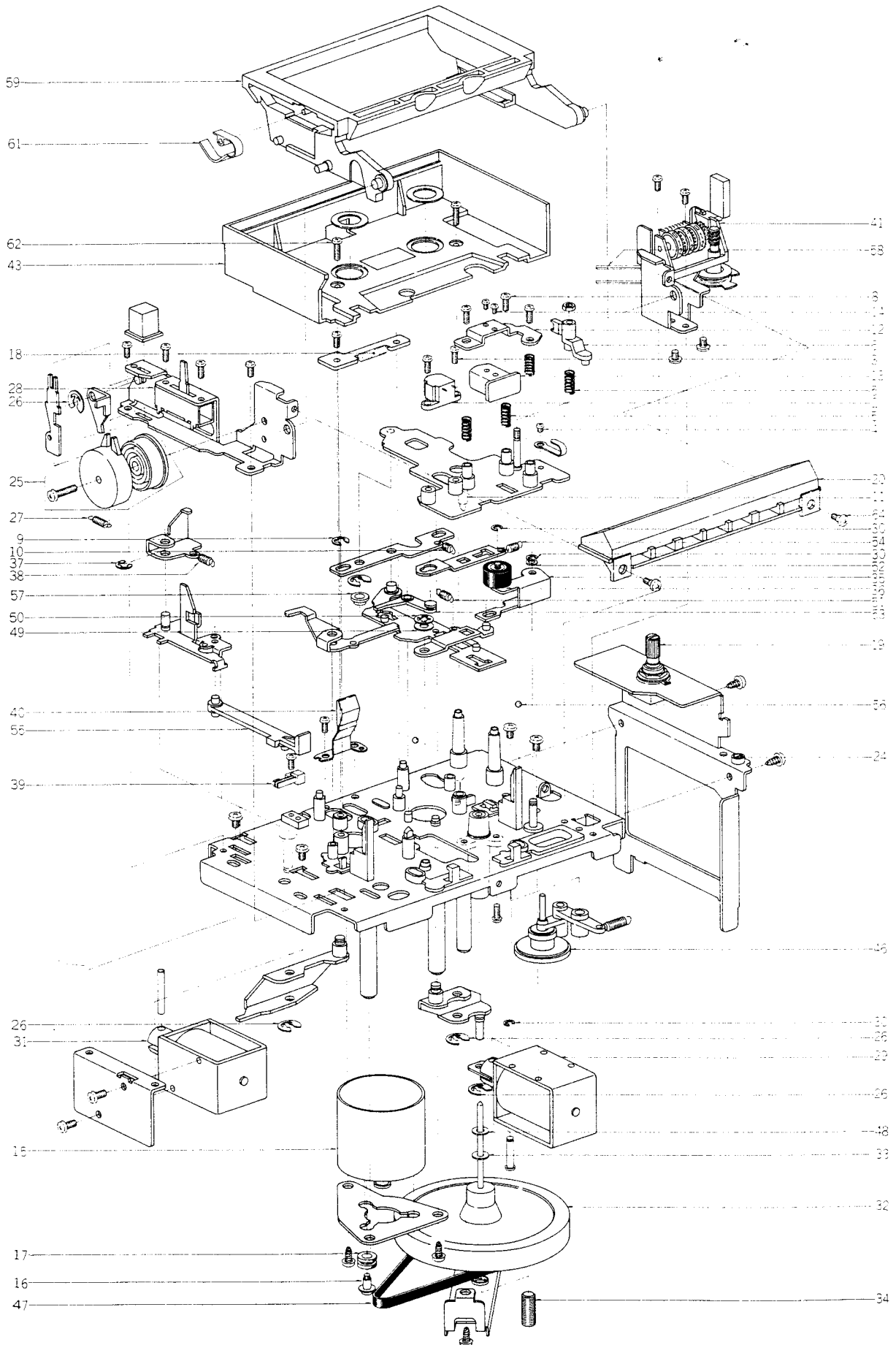


REEL TABLE BLOCK

Ref. No.	Parts No.	Description	Schematic No.	Ref. No.	Parts No.	Description	Schematic No.
2-1X	BR328517	Reel Table Part GX-F35	CL-2001	2-9	BR328425	Supply Reel Table ASSY	9-3-69
2-2	ZG328361	Idler Spring	CL-2008	2-10	ZW201610	PW19.8x080x025PSL	
2-3	ZW270088	Ring E 190SUP CMT	6-1-9	2-11	MB282104	Brake Rubber	CN-1020
2-4	BL328426	Wind Idler ASSY	9-3-70	2-12	ZG312945	SP T1-3.2/0.29-14.0 T1-061	
2-5	BR328424	Take-up Reel Table ASSY	9-3-68	2-13	BM329350	Reel Moter BLK	
2-6	ZW536466	PW21x070x050NYL		2-14	ZS430413	CTS26x04STL CMT	
2-7	ZW305546	PW21x040x025PSL		2-15	BZ329351	Damper (B) ASSY GX-F35	CL-1043
2-8	MT305793	Reel CAP	CF-2039				

When ordering parts, please quote Parts Number, Description and Model Number.

3. MECHA ASSEMBLY BLOCK



MECHA ASSEMBLY BLOCK

Ref. No.	Parts No.	Description	Schematic No.
3-1X	BH329370	Head BLK GX-F35	
3-2	HE321585	HEAD E HF213151 C	37-2-33
3-3	ZS590804	PAN23x06STL CMT	
3-4	ZS303936	PAN20x02STL CMT	
3-5	ZG328305	Angle Spring	CL-0007
3-6	HZ328307	Tape Guide	CL-0009
3-7	ZW591265	N23BRS NI3 3	
3-8	ZS590804	PAN23x06STL CMT	
3-9	ZW270101	Ring E300SUP CMT	6-1-9
3-10	ZG312946	SP T1-3.2/0.29-16.0 T1-062	
3-11	ZG312997	SP T1-4.0/0.4-16.0 T1-111	
3-12	HZ328306	Head Fixation Plate	CL-0008
3-13	HP319079	Head REC/PB PR4-7	
3-14	ZS477876	PAN20x03STL CMT	
3-15	BM329353	Main Motor BLK (W/pulley) GX-F35	
3-16	ZS321338	Motor Screw	7-1-75
3-17	MB282778	Rubber Bush	CN-7003
3-18	EL200096	PL Lead 3.5V 100mA	E28-01-083
3-19	ES200973	SW Rotary SBU1024N 1-02-04N	25-6-205
3-20	BK328417	SW Operation GX-F35 7P L	25-5-393
3-21X	BK328528	SW Operation GX-F35-BL 7P L	25-5-406
3-22X	ZS609120	TSPAN30x06STL CMT	
3-23X	ZS325495	T2BR30x06STL CMT	
3-24	EI329411	Photo Sensor NJL5141E-B A,B	45-18-3
3-25	BZ329366	Damper (A) ASSY GX-F35	CL-1042
3-26	ZW290283	Ring U 285SUP CMT	6-1-1
3-27	ZG329433	Eject Spring	CL-1045
3-28	ES328416	SW Slide SSB02385 2-02-03S	25-3-186
3-29	EP328420	Solenoid 1240PLT 27V	44-1-138
3-30	ZW270088	Ring E 190SUP CMT	6-1-9
3-31	EP328419	Solenoid 1240PLT 27V	44-1-137
3-32	BF200102	Flywheel (B)	CL-1202
3-33	ZW309295	Thrust Washer	CY-1037
3-34	ZS302318	Hold Screw	CI-1258
3-35	ML328513	Pinch Roller Arm Part GX-F35	CL-1029
3-36	MP319580	Pinch Roller Part GX-F90	CU-1056
3-37	ZW270101	Ring E300SUP CMT	6-1-9
3-38	ZG312943	SP T1-3.2/0.29-11.2 T1-059	
3-39	ES328430	SW Leaf BSW-101B 01-1 NO	25-10-45
3-40	TC329369	Cassette Hold Plate ASSY GX-F35	
3-41	MC328428	Counter SMP393-10	9-1-91
3-42X	MX328429	Counter (BL) SMP393-09	9-1-92
3-43	BZ329374	LID Housing ASSY GX-F35	
3-44X	BZ329375	LID Housing ASSY GX-F35-BL	
3-45	MV328322	Main Case	CL-1014
3-46	BL328427	Take-up Idler ASSY	9-3-71
3-47	MB328323	Flywheel Belt	CL-1016
3-48	ZW694798	PW31x070x020TFL	
3-49	ZW259492	PW31x080x030PBR	
3-50	ZW329422	Ring CS0300	6-1-18
3-51	ZG328352	Pinch Roller Spring	CL-1041
3-52	ZW329448	PW26x045x013PSL	
3-53	ML328337	Coupling Lever	CL-1028
3-54	ZG324329	SP T2-3.2/0.29-11.2 T2-059	
3-55	TC328344	Eject Joint	CL-1034
3-56	MV368886	Ball 300STL	
3-57	TC328348	Guide Collar	CL-1037
3-58	MB328324	Counter Belt	CL-1017
3-59	TC328350	Cassette Holder	CL-1040
3-60X	TC328351	Cassette Holder (BL)	CL-1040
3-61	ZG321487	Mold Spring	CE-6011
3-62	ZS329445	PLX PAN26x08STL NI3	
3-63X	ZS329443	PLX PAN26x08STL BNI (BL)	
3-64	ZS328347	OP Fixation Screw	CL-1036

4. PRE AMP P.C BOARD (CL-5201A) BLOCK

Symbol. No.	Parts No.	Description	Schematic No.	Symbol. No.	Parts No.	Description	Schematic No.
4-1	BA600154	Pre Amp PC BLK GX-F25 (U) (U/T, JPN, CSA, AAL)		4-FR3	ER201803	△ R Fuse FR25SJ 1/4W 680J	35-14-23
4-2	BA600319	Pre Amp PC BLK GX-F25 (E) (CEE, UK, SAA)		4-FR4	ER325381	△ R Fuse FR25SJ 1/4W 2R2J	35-14-23
4-IC1	EI605013	IC NE545B	45-8-117	4-FR5	ER325381	△ R Fuse FR25SJ 1/4W 2R2J	35-14-23
4-IC2	EI306141	IC LA4170	45-8-305	4-C4	EC320454	C STY V T05 CQT92 681J 125DC	24-23-11
4-TR1	ET308954	2SC1844 E,F	45-1-327	4-C9	EC324005	C STY V F05 500 681K 50DC	24-11-14
4-TR2	ET603257	TR 2SC1312S G,H	45-1-182	4-C15	EC320454	C STY V T05 CQT92 681J 125DC	24-23-11
4-TR3	ET308954	TR 2SC1844 E,F (CEE, UK, SAA)	45-1-327	4-C18	EC200592	C STY V T05 CQT92 331J 125DC	24-23-11
4-TR4	ET603257	TR 2SC1312S G,H (CEE, UK, SAA)	45-1-182	4-C20	EC200593	C STY V T05 CQT92 221J 125DC	24-23-11
4-TR5	ET308954	TR 2SC1844 E, F	45-1-327	4-C51	EC324005	C STY V F05 500 681K 50DC	24-11-14
4-TR6	ET603257	TR 2SC1312S G,H	45-1-182	4-3	ZW263946	RV NYL40x050	2-7-57
4-TR7	ET309343	TR 2SC2001 K,L	45-1-272				
4-TR8	ET301464	TR FET 2SK68 M,N	45-12-14				
4-TR9 to 11	ET639437	TR 2SC945L QA,PA	45-1-85				
4-TR12	ET328437	TR 2SD1012-V F,G	45-1-396				
4-TR13,14	ET639437	TR 2SC945L QA,PA	45-1-85				
4-TR15	ET300044	TR 2SC2001 L	45-1-272				
4-TR16	ET402682	TR 2SC1061 C	45-1-96				
4-TR17	ET308141	TR 2SC2603 G	E45-03-170				
4-TR18	ET639437	TR 2SC945L QA,PA	45-1-85				
4-TR19	ET638504	TR 2SC945L PA	45-1-85				
4-TR20,21	ET328437	TR 2SD1012-V F,G	45-1-396				
4-TR22	ET200558	TR 2SA1115 E,F	E45-01-075				
4-TR23	ET639437	TR 2SC945L QA,PA	45-1-85				
4-TR24	ET310920	TR 2SC1846 R,S	45-1-267				
4-TR25 to 27	ET638504	TR 2SC945L PA	45-1-85				
4-TR28	ET639437	TR 2SC945L QA,PA	45-1-85				
4-D1	ED308952	D Germa V 1K34A-LR F07	45-3-47				
4-D2 to 9	ED560913D	Silicon V 1S2473VE	45-3-23				
4-D10, 11	ED308952D	Germa V 1K34A-LR F07	45-3-47				
4-D12 to 15	ED560913	D Silicon V 1S2473VE	45-3-23				
4-D16	ED321180	D Zener H HZ9 B2	45-6-80				
4-D17	ED560913	D Silicon V 1S2473VE	45-3-23				
4-D18	ED306109	D Silicon W03B 100/1.0A	45-2-78				
4-D19	ED560913	D Silicon V 1S2473VE	45-3-23				
4-SW1	ES283072	SW Slide SSC22LP 2-02-02N (CEE, UK, SAA)	25-3-131				
4-SW2	ES328413	SW Rotary SRZW84S 2-08-04S	25-6-203				
4-SW3	ES321274	SW Lever 63349 2-06-03S	25-12-65				
4-SW4	ES328415	SW Solenoid SWE018401 18V 04-2S	25-9-18				
4-SW5	ES328530	SW Solenoid SWE018404 18V 04-2N	25-9-25				
4-VL1	EO321336	Coil VARI 1 FE002 10.00MH	23-1-333				
4-VR1	EV315412	R S-Fix H D8 3P 502	36-10-280				
4-VR2	EV315413	R S-Fix H D8 3P 503	36-10-280				
4-VR3	EV315414	R S-Fix H D8 3P 203	36-10-280				
4-VR4	EV329417	VR Rotary 16P20x1Y B103	36-22-66				
4-VR5	EV308842	R S-Fix H D10 3P 503	36-10-274				
4-VR6	EV321637	R S-Fix H D8 3P 104	36-10-280				
4-VR7, 8	EV315413	R S-Fix H D8 3P 503	36-10-280				
4-VR9	EV315414	R S-Fix H D8 3P 203	36-10-280				
4-T1	EO328485	Coil OSC 1 2325-067 100KHz	23-1-426				
4-FL1	ER328490	Filter DB D07-001K 19KHz	23-1-425				
4-FL2	ER328491	Filter DB D07-003K 100KHz	23-1-425				
4-FL3	EO315758	Coil TUN1 100S-431 100KHz	23-1-331				
4-J1	EJ321328	Phone J HLJ0345-010 2x3P	31-2-110				
4-J2	EJ316156	Phone J 3P HLJ0315-020 6.3	31-2-106				
4-J3	EJ308986	Pin J 1784P1782 P 4P (U/T, JPN, CSA, AAL)	31-5-145				
4-J3	EJ308985	Jack Plate DIN, Pin Jack 4P (CEE, UK, SAA)	31-5-144				
4-FR1	ER200595	△ R Fuse ERD2FC 1/4W 5R6J	35-14-31				
4-FR2	ER328520	△ R Fuse ERD2FC 1/4W 1000G	35-14-31				

When ordering parts, please quote Parts Number, Description and Model Number.

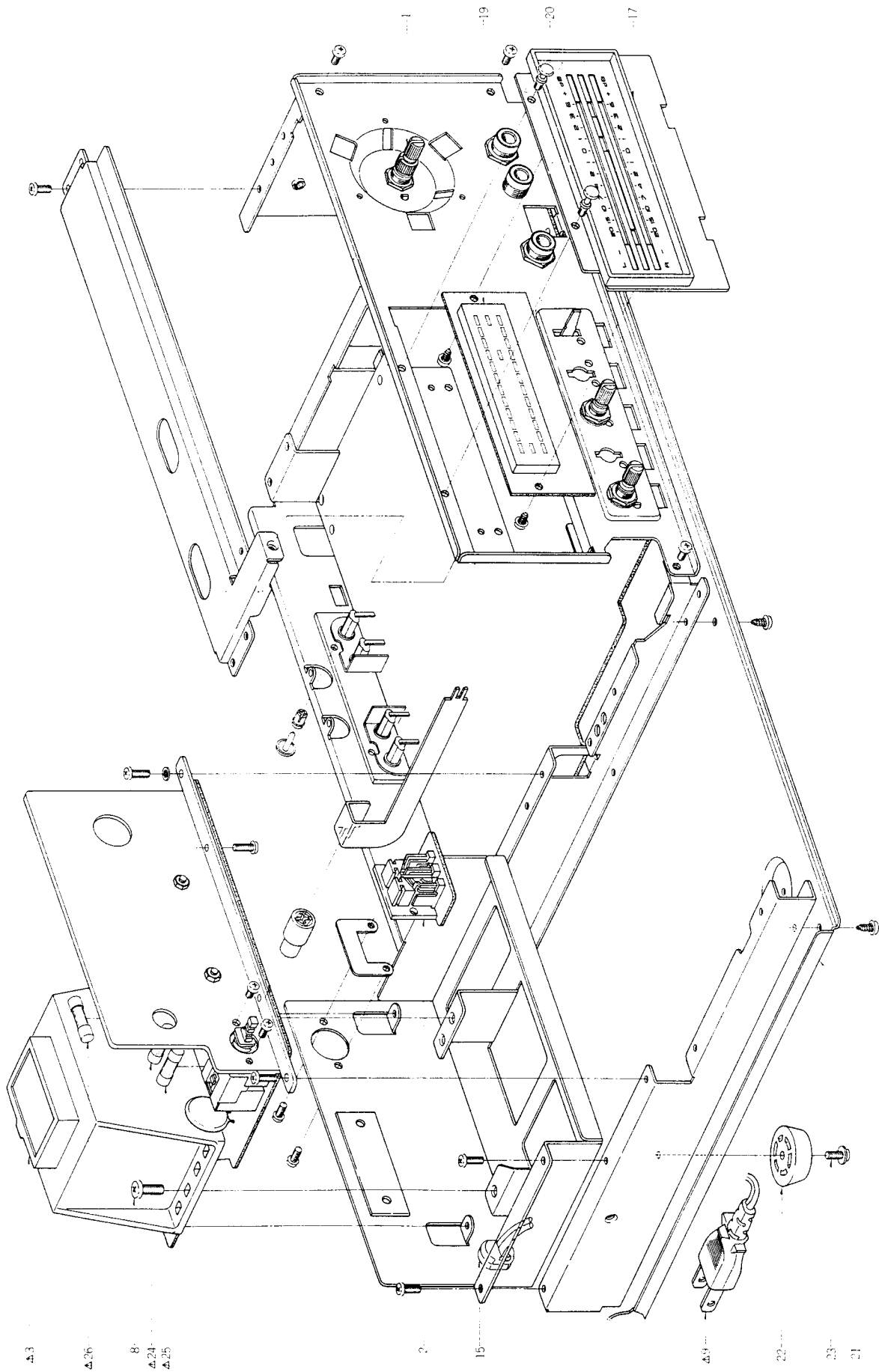
5. POWER SUPPLY P.C BOARD (CL-5003/ 5004/5005/5006) BLOCK

Symbol. No.	Parts No.	Description	Schematic No.
5-1	BA600137	Power PC (A) BLK GX-F25 (U) (U/T)	
5-2	BA600138	Power PC (B) BLK GX-F25 (J) (JPN)	
5-3	BA600759	Power PC (E) BLK GX-F25 (C) (CSA)	
5-4	BA600140	Power PC (C) BLK GX-F25 (A) (AAL)	
5-5	BA600141	Power PC (D) BLK GX-F25 (E) (CEE, UK, SAA)	
5-TR1	ET328437	TR 2SD1012-V F,G	45-1-396
5-TR2	ET307349	TR 2SD794 P,Q	45-1-334
5-TR3	ET639437	TR 2SC945L QA,PA	45-1-85
5-TR4	ET328440	TR2SD863-V8 E,F	45-1-398
5-TR5	ET639437	TR 2SC945L QA,PA	45-1-85
5-TR6	ET375603	TR 2SC1061 B,C	45-1-96
5-TR7, 8	ET639437	TR 2SC945L QA,PA	45-1-85
5-TR9	ET308937	TR 2SC2130 G,H	45-1-317
5-TR10	ET324134	TR 2SA984K E,F	45-1-378
5-TR11	ET309353	TR 2SC2274 E,F	45-1-335
5-TR12	ET311868	TR 2SC2130 F,G	45-1-317
5-TR13, 14	ET639437	TR 2SC945L QA,PA	45-1-85
5-TR15	ET324134	TR 2SA984K E,F	45-1-378
5-TR16	ET309353	TR 2SC2274 E,F	45-1-335
5-TR17	ET311868	TR 2SC2130 F,G	45-1-317
5-TR18, 19	ET308141	TR 2SC2603 G	E45-03-170
5-TR20 to 22	ET639437	TR 2SC945L QA,PA	45-1-85
5-TR23	ET308141	TR 2SC2603 G	E45-03-170
5-TR24, 25	ET328438	TR 2SB808-V F,G	45-1-397
5-TR26, 27	ET328437	TR 2SD1012-V F,G	45-1-396
5-D1	ED308945	D Silicon SVB10-100 100/1.0A	45-2-82
5-D2	ED309357	D Silicon SVB15-100 100/1.5A	45-2-83
5-D3	ED319167	D Zener H HZ6 C3	45-6-80
5-D4	ED329449	D Zener H HZ18 3	45-6-80
5-D5	ED560913	D Silicon V 1S2473VE	45-3-23
5-D6,7	ED306109	D Silicon W03B 100/1.0A	45-2-78
5-D8	ED560913	D Silicon V 1S2473VE	45-3-23
5-D9, 10	ED306109	D Silicon W03B 100/1.0A	45-2-78
5-D11 to 14	ED560913	D Silicon V 1S2473VE	45-3-23
5-D18, 19	ED560913	D Silicon V 1S2473VE	45-3-23
5-D20	ED313846	D Zener H HZ16 3	45-6-80
5-D21 to 28	ED560913	D Silicon V 1S2473VE	45-3-23
5-VS1	MZ283140	△ Socket Selector X-17238 6P (U/T)	40-2-13
5-FR1	ER200972	△ R Fuse ERD2FC 1/4W 33ROG	35-14-31
5-SW1	ES310839	△ SW Push SDG1P-E 01-1 E (U/T, CEE, UK, SAA)	25-5-310
5-SW1	ES315159	△ SW Push SDG1P 01-1 J (JPN)	25-5-330
5-SW1	ES655806	△ SW Push SDG1P-J 01-1 C (CSA)	25-5-187
5-SW1	ES665875	△ SW Push SDG1P-J 01-1 UC (AAL)	25-5-199
5-C1	EC320548	△ C CE V F 103Z 250AC (U/T, JPN, AAL)	24-5-112
5-C1	EC314688	△ C CE V FZ 103P 125AC (CSA)	24-5-87
5-C1	EC327382	△ C MP V 472M 250AC (CEE, UK, SAA)	24-9-134
5-C4	EC315966	C EC V CUT H 332M 16DC	24-12-46
5-C10	EC316230	C EC V CUT H 222M 35DC	24-12-46

6. SYS. CON. P.C BOARD (CL-5202 A) BLOCK

Symbol. No.	Parts No.	Description	Schematic No.
6-1	BA600126	SYSCON PC BLK GX-F25	
6-IC1	EI328407	IC LM6405A-012	45-8-507
6-TR1	ET328436	TR 2SA937 Q,R	45-1-395
6-TR2 to 6	ET328435	TR 2SC2021 R,S	45-1-394
6-TR7 to 12	ET328436	TR 2SA937 Q,R	45-1-395
6-D1	ED316143	D Silicon H 1S2473HS F10	45-3-53
6-D2, 3	ED317594	D Silicon H 1S2473HL F12	45-3-60
6-D4	ED560913	D Silicon V 1S2473VE	45-3-23
6-D5	ED316143	D Silicon H 1S2473HS F10	45-3-53
6-D6,7	ED560913	D Silicon V 1S2473VE	45-3-23
6-D10, 11	ED560913	D Silicon V 1S2473VE	45-3-23
6-X1	EZ328406	OSC CE CSB400A 0.000400MHz	53-1-207

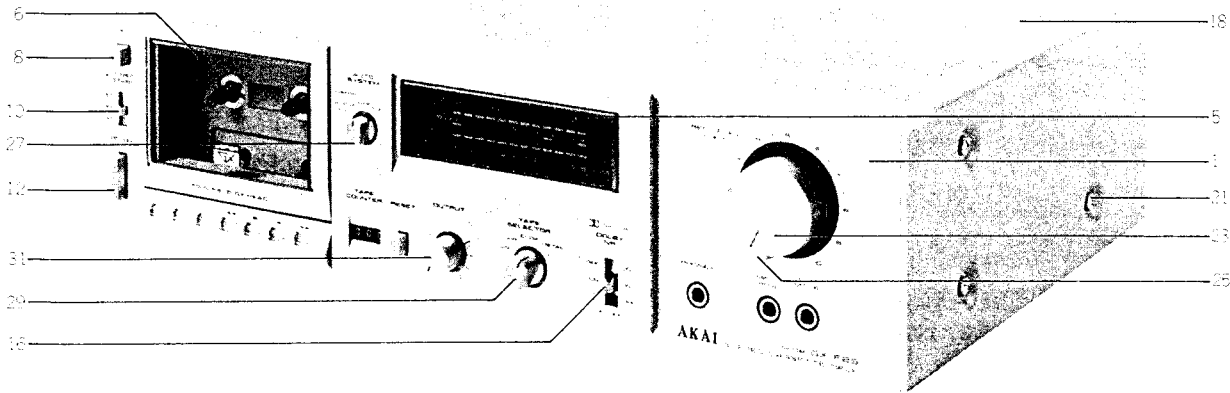
7. ASSEMBLY BLOCK



ASSEMBLY BLOCK

Ref. No.	Parts No.	Description	Schematic No.
7-1	EV329416	VR Rotary 16P11xOR 15A503 15A503	36-18-23
7-2	EJ324276	DIN J TCS4680-01-111 P 8P	31-5-156
7-3	BT328401	△ Trans Power CLT-1 (U/T)	38-4-884
7-4X	BT328402	△ Trans Power CLT-2 (JPN)	38-4-885
7-5X	BT328404	△ Trans Power CLT-4 (CSA, AAL)	38-4-887
7-6X	BT328403	△ Trans Power CLT-3 (CEE)	38-4-886
7-7X	BT328405	△ Trans Power CLT-6 (UK, SAA)	38-4-889
7-8	ZS314702	ST BID40x10STL CMT	
7-9	EW306428	△ AC Cord 2 Cores KP205A, VFF UCJ (U/T)	26-3-64
7-10X	EW306427	△ AC Cord 2 Cores KP-211, VFF J (JPN)	26-3-63
7-11X	EW305691	△ AC Cord 2 Cores KP-8, SPT-1, UC (CSA, AAL)	26-3-65
7-12X	EW313882	△ AC Cord 2 Cores KP-419C, LTCE-2F E (CEE)	26-3-66
7-13X	EW313884	△ AC Cord 2 Cores GTBS-2F 24/0.20x2 B (UK)	26-3-67
7-14X	EW313883	△ AC Cord 2 Cores KP-560, VFSA-2 S (SAA)	26-3-69
7-15	EZ631945	Strain Relief SR-4N-4 (EXT. UK)	2-7-49
7-16X	EJ692908	Strain Relief SR-5N-4 (UK)	2-7-60
7-17	SZ200110	LED Meter Cover	CL-6201
7-18	ZS310343	PLX PAN30x06STL CMT	7-1-70
7-19	EM328715	IND LE LT-1002 Graph	59-2-8
7-20	ZW698308	RV NYL30x055 BL	2-7-54
7-21	SP 328379	Bottom Plate	CL-5022
7-22	SA306240	Rubber Foot (B)	LE-6740
7-23	ZS313486	ST PAN30x06STL CMT C	
7-24	EF306949	△ Fuse TSC A 250V 1.25A (U/T, JPN)	39-1-64
7-25	EF311839	△ Fuse TSC A 250V 1.60A (U/T, JPN)	39-1-64
7-26	EF309389	△ Fuse TSC A 250V 0.40A (U/T, JPN)	39-1-64
7-27X	EF309392	△ Fuse TSC 125V 1.25A (CSA, AAL)	39-1-65
7-28X	EF308847	△ Fuse TSC 125V 1.60A (CSA, AAL)	39-1-65
7-29X	EF308848	△ Fuse TSC 125V 0.40A (CSA, AAL)	39-1-65
7-30	EF602550	△ Fuse SEMKO T 250V 1.25A (CEE, UK, SAA)	39-1-53
7-31X	EF601964	△ Fuse SEMKO T 250V 1.60A (CEE, UK, SAA)	39-1-53
7-32X	EF668474	△ Fuse SEMKO T 250V 0.40A (CEE, UK, SAA)	39-1-53

8. FINAL ASSEMBLY BLOCK



FINAL ASSEMBLY BLOCK

Ref. No.	Parts No.	Description	Schematic No.	Ref. No.	Parts No.	Description	Schematic No.
8-1	BD600146	Front Panel BLK GX-F25(U) (U/T, JPN, CSA, AAL)		8-20X	SP328472	Upper Cover (A-BL)	CL-6020
8-2X	BD600147	Front Panel BLK GX-F25(E) (CEE, UK, SAA)		8-21	ZS315878	XST BID40x08STL NI3	
8-3X	BD600148	Front Panel BLK GX-F25-BL(U) (U/T, JPN, CSA, AAL)		8-22X	ZS310588	XST BID40x08STL BNI	
8-4X	BD600149	Front Panel BLK GX-F25-BL(E) (CEE, UK, SAA)		8-23	SK325785	Double Knob (Upper)	CY-6067
8-5	SZ321494	Meter Window	CE-6018	8-24X	SK325786	Double Knob (Upper-BL)	CY-6067
8-6	BD329402	LID Panel ASSY GX-F35		8-25	SK325787	Double Knob (Lower)	CY-6068
8-7X	BD329403	LID Panel ASSY GX-F35-BL		8-26X	SK325788	Double Knob (Lower-BL)	CY-6068
8-8	SB316316	Button (B)	CM-6305	8-27	SK317523	Knob (A)	CU-6017
8-9X	SB316317	Button (B-BL)	CM-6305	8-28X	SK317524	Knob (A-BL)	CU-6017
8-10	SK328391	Slide Knob	CL-6007	8-29	SK316320	Knob (B)	CM-6307
8-11X	SK328392	Slide Knob (BL)	CL-6007	8-30X	SK316321	Knob (B-BL)	CM-6307
8-12	SB316498	Button (B)	CU-6009	8-31	SK315932	Knob (C)	CM-6308
8-13X	SB316499	Button (B-BL)	CU-6009	8-32X	SK315933	Knob (C-BL)	CM-6308
8-14X	SE325784	VOL. Escutcheon	CY-6066	8-33X	SP200157	Back Board GX-F25 (U) (U/T)	CL-6017
8-15X	SE329408	VOL. Escutcheon (BL)	CY-6066	8-34X	SP200153	Back Board GX-F25 (J) (JPN)	CL-6017
8-16	SK328387	Lever Knob	CL-6005	8-35X	SP200155	Back Board GX-F25 (C) (CSA)	CL-6017
8-17X	SK328388	Lever Knob (BL)	CL-6005	8-36X	SP200154	Back Board GX-F25 (A) (AAL)	CL-6017
8-18	SP328471	Upper Cover (A) (EXT AAL)	CL-6020	8-37X	SP200156	Back Board GX-F25 (E) (CEE)	CL-6017
8-19X	SP328473	Upper Cover (B)	CL-6020	8-38X	SP200159	Back Board GX-F25 (B, S) (UK, SAA)	CL-6017
				8-39X	ZS329427	T2PAN30x10STL CMT TW	
				8-40X	ZW305013	RV POP32 (AAL)	7-6-9

INDEX

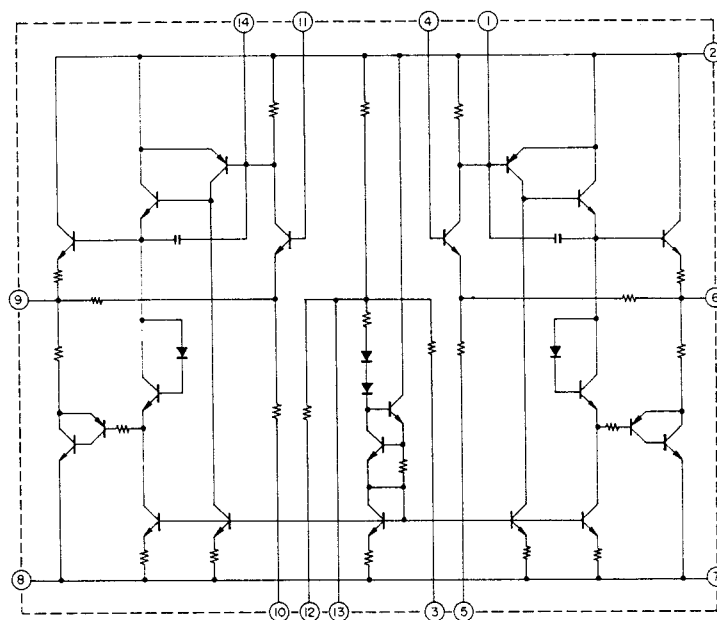
Parts No.	Ref. No. & Symbol No.	Parts No.	Ref. No. & Symbol No.	Parts No.	Ref. No. & Symbol No.	Parts No.	Ref. No. & Symbol No.	Parts No.	Ref. No. & Symbol No.
BA600126	6-1	ED560913	4-D12 to 15	ET307349	5-TR2	HP319079	3-13	ZG328305	3-5
BA600137	5-1	ED560913	4-D17	ET308141	4-TR17	HZ328306	3-12	ZG328352	3-51
BA600138	5-2	ED560913	4-D19	ET308141	5-TR18, 19	HZ328307	3-6	ZG328361	2-2
BA600140	5-4	ED560913	5-D5	ET308141	5-TR23	MB282104	2-11	ZG329433	3-27
BA600141	5-5	ED560913	5-D8	ET308937	5-TR9	MB282778	3-17	ZS302318	3-34
BA600154	4-1	ED560913	5-D11 to 14	ET308954	4-TR1	MB328323	3-47	ZS303936	3-4
BA600319	4-2	ED560913	5-D18, 19	ET308954	4-TR3	MB328324	3-58	ZS310343	7-18
BA600759	5-3	ED560913	5-D21 to 28	ET308954	4-TR5	MC328428	3-41	ZS310588	8-22X
BD329402	8-6	ED560913	6-D4	ET309343	4-TR7	MC328429	3-42X	ZS313486	7-23
BD329403	8-7X	ED560913	6-D6, 7	ET309353	5-TR11	ML328337	3-53	ZS314702	7-8
BD600146	8-1	ED560913	6-D10, 11	ET309353	5-TR16	ML328513	3-35	ZS315878	8-21
BD600147	8-2X	EF306949	7-24	ET310920	4-TR24	MP319580	3-36	ZS321338	3-16
BD600148	8-3X	EF308847	7-28X	ET311868	5-TR12	MT305793	2-8	ZS325495	3-23X
BD600149	8-4X	EF308848	7-29X	ET311868	5-TR17	MV328322	3-45	ZS328347	3-64
BF200102	3-32	EF309389	7-26	ET324134	5-TR10	MV368886	3-56	ZS329427	8-39X
BH329370	3-1X	EF309392	7-27X	ET324134	5-TR15	MZ283140	5-VS1	ZS329443	3-63X
BK328417	3-20	EF311839	7-25	ET328435	6-TR2 to 6	SA306240	7-22	ZS329445	3-62
BK328528	3-21X	EF601964	7-31X	ET328436	6-TR1	SB316316	8-8	ZS430413	2-14
BL328426	2-4	EF602550	7-30X	ET328436	6-TR7 to 12	SB316317	8-9X	ZS477876	3-14
BL328427	3-46	EF668474	7-32X	ET328437	4-TR12	SB316498	8-12	ZS590804	3-3
BM329350	2-13	EI306141	4-IC2	ET328437	4-TR20, 21	SB316499	8-13X	ZS590804	3-8
BM329353	3-15	EI328407	6-IC1	ET328437	5-TR1	SE325784	8-14X	ZS609120	3-22X
BR328424	2-5	EI329411	3-24	ET328437	5-TR26, 27	SE329408	8-15X	ZW201610	2-10
BR328425	2-9	EI605013	4-IC1	ET328438	5-TR24, 25	SK315932	8-31	ZW259492	3-49
BR328517	2-1X	EJ308985	4-J3	ET328440	5-TR4	SK315933	8-32X	ZW263946	4-3
BT328401	7-3	EJ308986	4-J3	ET375603	5-TR6	SK316320	8-29	ZW270088	2-3
BT328402	7-4X	EJ316156	4-J2	ET402682	4-TR16	SK316321	8-30X	ZW270088	3-30
BT328403	7-6X	EJ321328	4-J1	ET603257	4-TR2	SK317523	8-27	ZW270101	3-9
BT328404	7-5X	EJ324276	7-2	ET603257	4-TR4	SK317524	8-28X	ZW270101	3-37
BT328405	7-7X	EJ692908	7-16X	ET603257	4-TR6	SK325785	8-23	ZW290283	3-26
BZ329351	2-15	EL200096	3-18	ET638504	4-TR19	SK325786	8-24X	ZW305013	8-40X
BZ329366	3-25	EM328715	7-19	ET638504	4-TR25 to 27	SK325787	8-25	ZW305546	2-7
BZ329374	3-43	EO315758	4-FL3	ET639437	4-TR9 to 11	SK325788	8-26X	ZW309295	3-33
BZ329375	3-44X	EO321336	4-VL1	ET639437	4-TR13, 14	SK328387	8-16	ZW329422	3-50
EC200592	4-C18	EO328485	4-T1	ET639437	4-TR18	SK328388	8-17X	ZW329448	3-52
EC200593	4-C20	EP328419	3-31	ET639437	4-TR23	SK328391	8-10	ZW536466	2-6
EC314688	5-C1	EP328420	3-29	ET639437	4-TR28	SK328392	8-11X	ZW591265	3-7
EC315966	5-C4	ER200595	4-FR1	ET639437	5-TR3	SP200153	8-34X	ZW694798	3-48
EC316230	5-C10	ER200972	5-FR1	ET639437	5-TR5	SP200154	8-36X	ZW698308	7-20
EC320454	4-C4	ER201803	4-FR3	ET639437	5-TR7, 8	SP200155	8-35X		
EC320454	4-C15	ER325381	4-FR4	ET639437	5-TR13, 14	SP200156	8-37X		
EC320548	5-C1	ER325381	4-FR5	ET639437	5-TR20 to 22	SP200157	8-33X		
EC324005	4-C9	ER328490	4-FL1	EV308842	4-VR5	SP200159	8-38X		
EC324005	4-C51	ER328491	4-FL2	EV315412	4-VR1	SP328379	7-21		
EC327382	5-C1	ER328520	4-FR2	EV315413	4-VR2	SP328471	8-18		
ED306109	4-D18	ES200973	3-19	EV315413	4-VR7, 8	SP328472	8-20X		
ED306109	5-D6, 7	ES283072	4-SW1	EV315414	4-VR3	SP328473	8-19X		
ED306109	5-D9, 10	ES310839	5-SW1	EV315414	4-VR9	SZ200110	7-17		
ED308945	5-D1	ES315159	5-SW1	EV321637	4-VR6	SZ231494	8-5		
ED308952	4-D1	ES321274	4-SW3	EV329416	7-1	TC328344	3-55		
ED308952	4-D10, 11	ES328413	4-SW2	EV329417	4-VR4	TC328348	3-57		
ED309357	5-D2	ES328415	4-SW4	EW305691	7-11X	TC328350	3-59		
ED313846	5-D20	ES328416	3-28	EW306427	7-10X	TC328351	3-60X		
ED316143	6-D1	ES328430	3-39	EW306428	7-9	TC329369	3-40		
ED316143	6-D5	ES328530	4-SW5	EW313882	7-12X	ZG312943	3-38		
ED317594	6-D2, 3	ES655806	5-SW1	EW313883	7-14X	ZG312945	2-12		
ED319167	5-D3	ES665875	5-SW1	EW313884	7-13X	ZG312946	3-10		
ED321180	4-D16	ET200558	4-TR22	EZ328406	6-X1	ZG312997	3-11		
ED329449	5-D4	ET300044	4-TR15	EZ631945	7-15	ZG321487	3-61		
ED560913	4-D2 to 9	ET301464	4-TR8	HE321585	3-2	ZG324329	3-54		

SECTION 3.

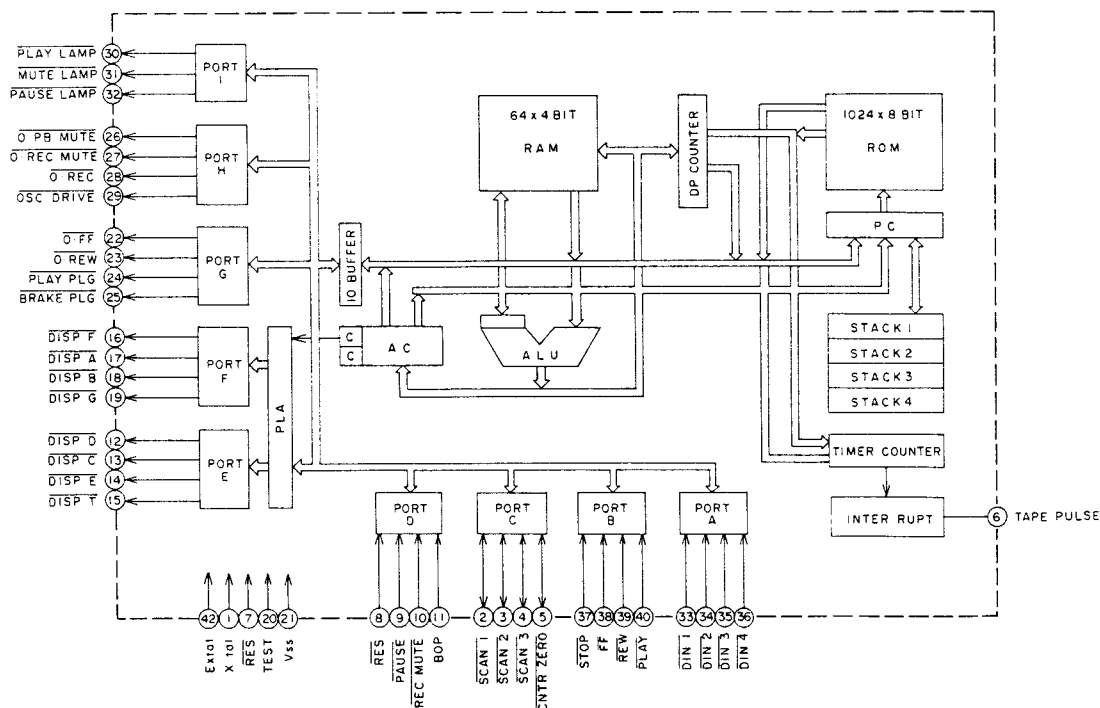
SCHEMATIC DIAGRAM

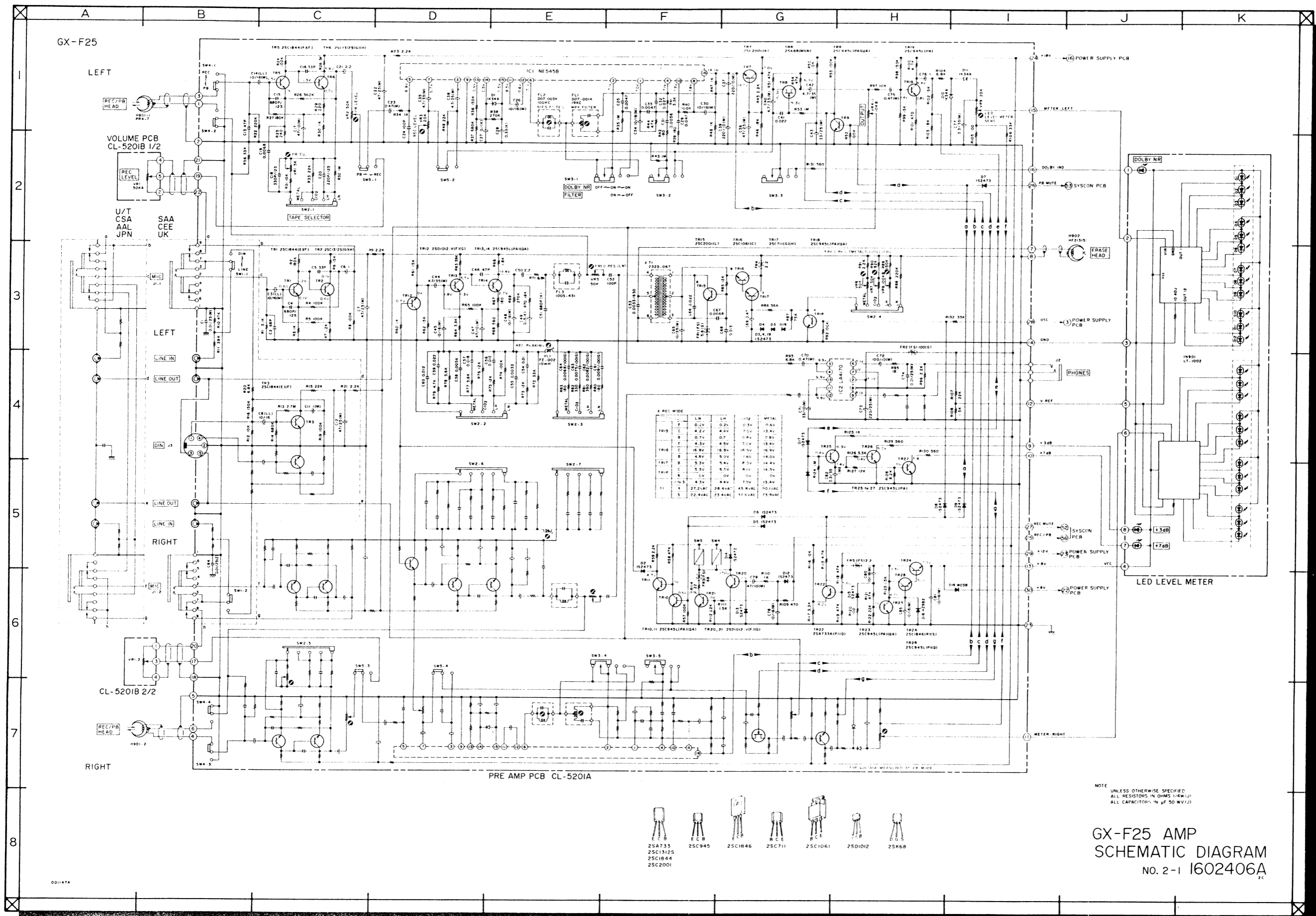
1. SCHEMATIC DIAGRAM OF ICs
2. GX-F25 NO. 2-1 1602406A AMP SCHEMATIC DIAGRAM
3. GX-F25 NO. 2-2 1602407A POWER & SYS CON SCHEMATIC DIAGRAM

LA4170



LM6405A-012

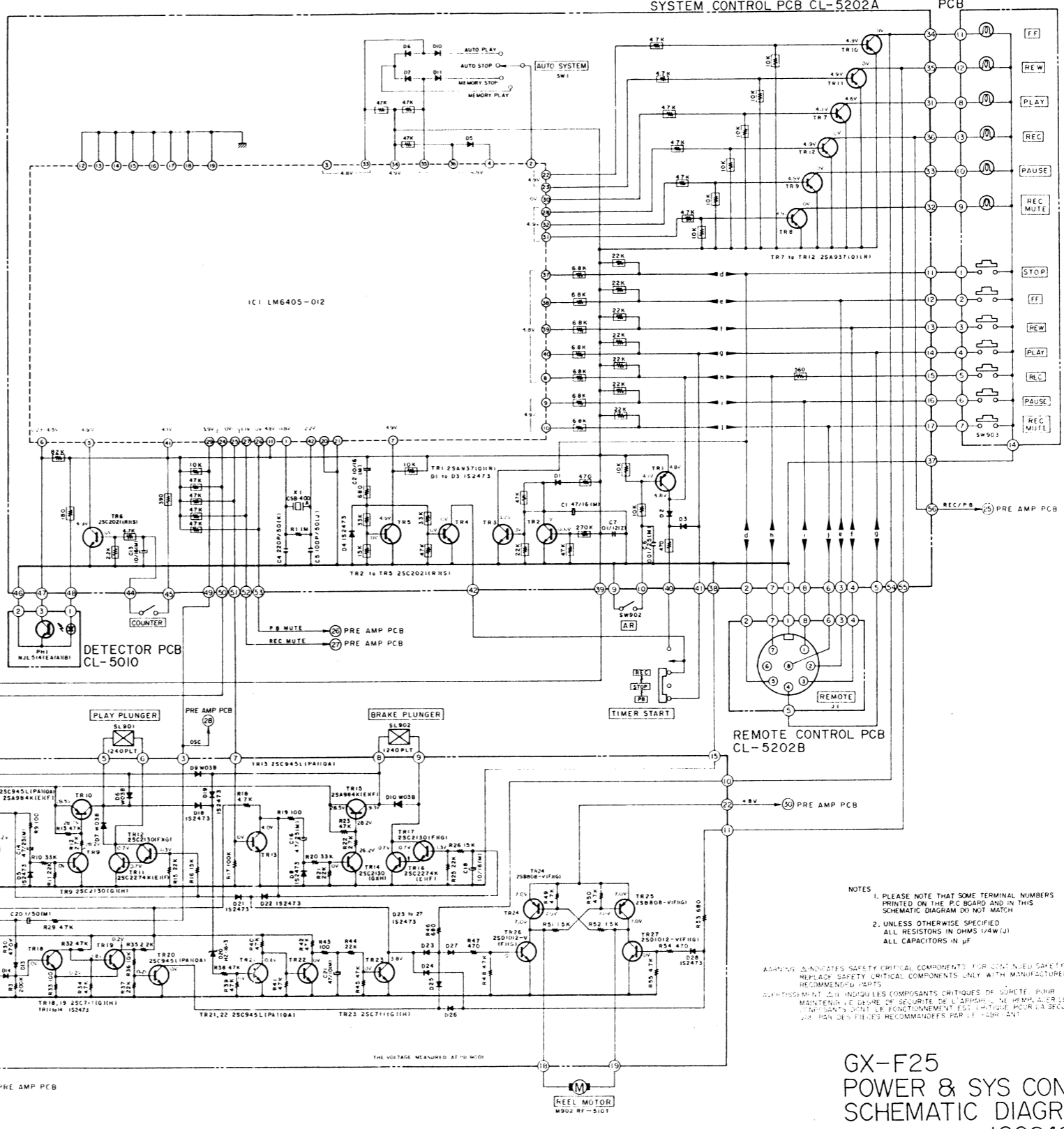
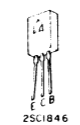
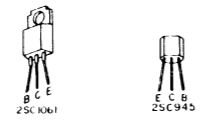
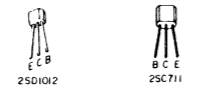
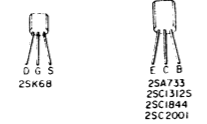
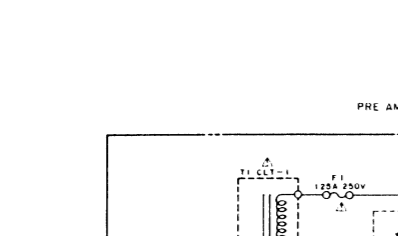
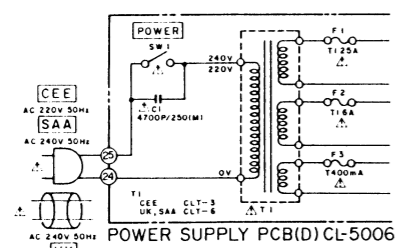
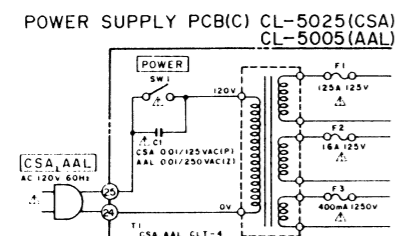
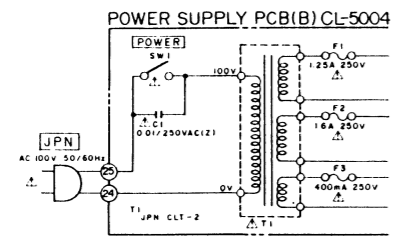




NOTE
UNLESS OTHERWISE SPECIFIED
ALL RESISTORS IN OHMS (R=K/J)
ALL CAPACITORS IN PF (P/F)

GX-F25 AMP
SCHEMATIC DIAGRAM
NO. 2-1 1602406A
7C

GX-F25



NOTES
1. PLEASE NOTE THAT SOME TERMINAL NUMBERS PRINTED ON THE PCB BOARD AND IN THIS SCHEMATIC DIAGRAM DO NOT MATCH
2. UNLESS OTHERWISE SPECIFIED ALL RESISTORS IN OHMS (1/4W/1) ALL CAPACITORS IN μ F

WARNING: INDICATES SAFETY CRITICAL COMPONENTS FOR CORRECT SAFETY. REPAIR SAFETY CRITICAL COMPONENTS ONLY WITH MANUFACTURER'S RECOMMENDED PARTS.
ATTENTION: LES COMPOSANTS CRITIQUES DE SURETE. REPARER SEULEMENT LES COMPOSANTS CRITIQUES DE SURETE AVEC LES PARTS RECOMMANDEES PAR LE FABRICANT.
MAINTENIR LE Degré DE SECURITE DE L'APPAREIL EN REPARANT SEULEMENT LES COMPOSANTS CRITIQUES DE SURETE AVEC LES PARTS RECOMMANDEES PAR LE FABRICANT.

GX-F25
POWER & SYS CON
SCHEMATIC DIAGRAM
No.2-2 1602407A

LM6405A-012's Terminal Function

CATEGORY	PIN NAME	PIN NO.	FUNCTION	
Operation Key Input	STOP	37	Stop Key Input	Input to stop action
	FF	38	FF Key Input	Input to order fast forward
	REW	39	REW Key Input	Input to order rewind
	PLAY	40	PLAY Key Input	Input to order playback
	REC	8	REC Key Input	Input to order recording, effective along with PAUSE or PLAY
	PAUSE	9	PAUSE Key Input	Input to order momentary stop
	REC MUTE	10	REC MUTE Key Input	Input to order no-signal recording (auto spacer input)
Mechanical Drive Output	O. FF	22	Signal so that it becomes L at FF	Output for reel motor and FF lamp drivers
	O. REW	23	Signal so that it becomes L at REW	Output for reel motor and REW lamp drivers
	PLAY PLG	24	Signal to make it L at PLAY or PAUSE	For plunger which pulls head
	BRAKE PLG	25	Signal to make it L at FF, REW and PLAY	For plunger which releases brake
Amplifier Control Output	O. PB MUTE	26	Playback mute output	
	O. REC MUTE	27	Recording mute output	
	O. REC	28	Output to change recording	
	OSC DRIVE	29	Output to drive bias oscillator	
Output to drive mode indicator lamps	PLAY LAMP	30	Output to drive PLAY lamp	
	MUTE LAMP	31	Output to drive MUTE lamp	
	PAUSE LAMP	32	Output to drive PAUSE lamp	
Output for number of selections skipped by IPLS/ time of REC MUTE	DISP D	12		
	DISP C	13		
	DISP E	14		
	DISP T	15		
	DISP F	16		
	DISP A	17		
	DISP B	18		
DISP G	19			
Auto function IPLS program clear	DIN 1	33	Input signal for key scan return	*Selects auto function when key scan return signal input via diode. *Input SCAN 1 to DIN 1 – DIN 3 *Input SCAN 1 to DIN 4IPLS
	DIN 2	34		
	DIN 3	35		
	DIN 4	36		
	SCAN 1	2	Key scan output	*Input SCAN 2 to DIN 1PROGRAM (input to set IPLS number of selection to skip) *Input SCAN 2 to DIN 2CLEAR (clear of IPLS selection number)
	SCAN 2	3		
	SCAN 3	4		
Others	CNTR ZERO	5	Counter 0 input signal	
	TAPE PULSE	6	Tape travel pulse input signal	
	BOP	11	Signal input between selections for IPLS	
Terminal for oscillator circuit	E X'tal X'tal	42 1	Occurrence of standard signal for inside action	
Test terminal	TEST	20	Input to test inside circuit (When used generally at 0 V)	
Power Supply	VDD	41	+5 V	
	VSS	21	0 V	

NE545B

