

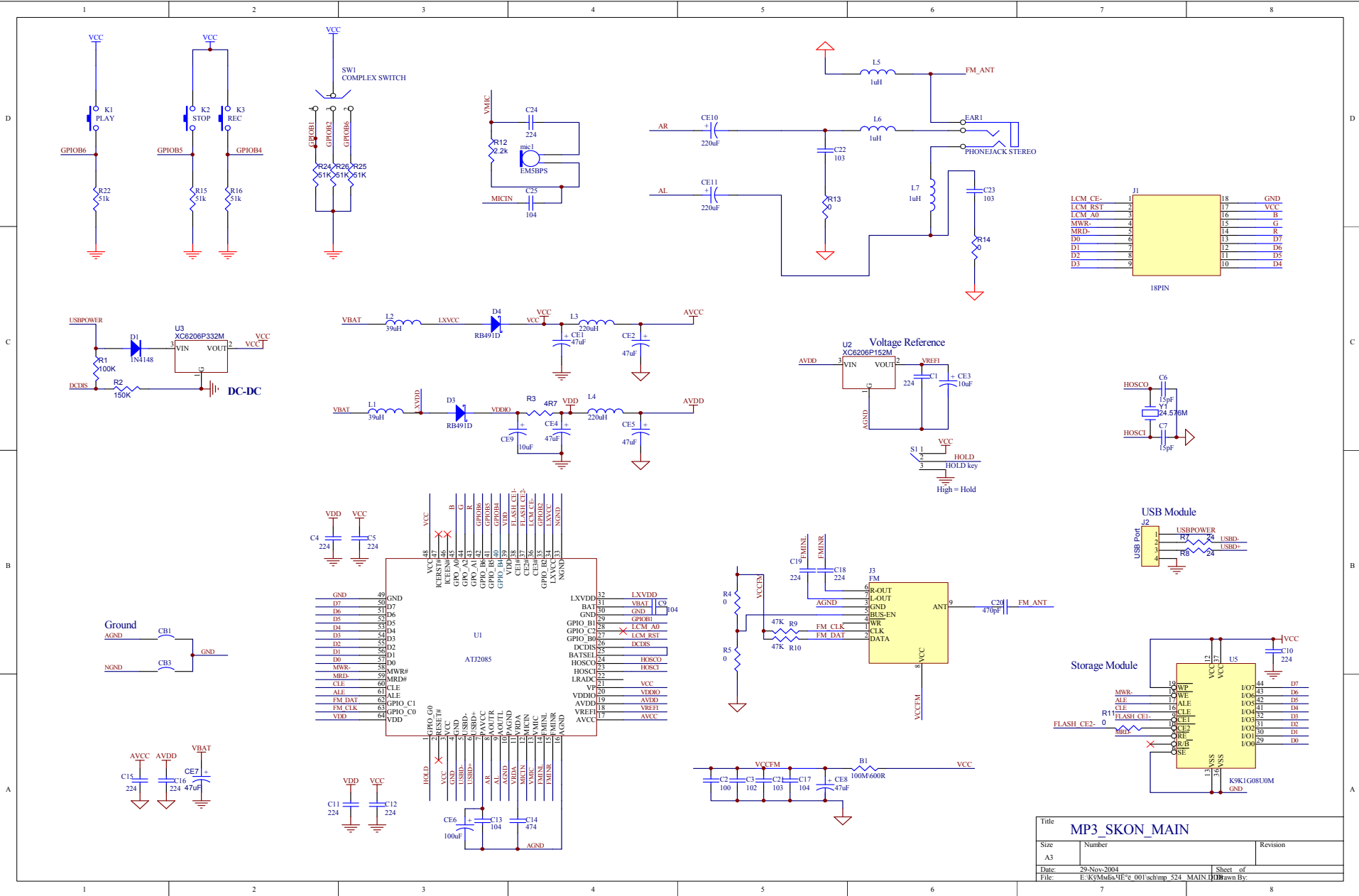


**AKAI**

**MP3 PLAYER**

Model:  
MP-1200RC

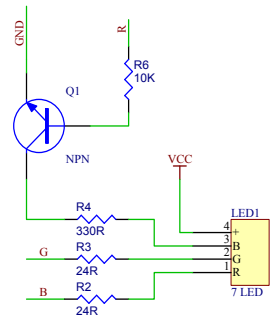
**SERVICE MANUAL**



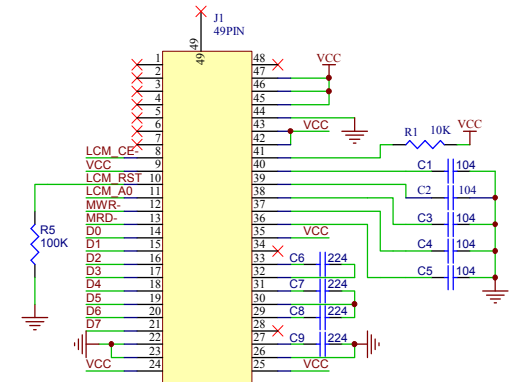
Title		
MP3_SKON_MAIN		
Size	Number	Revision
A3		
Date:	29-Nov-2004	Sheet of
File:	E:\KYMuh\4E\c 001sch\mp_524_MAIN.D	Drawn By:

1 2 3 4 5 6

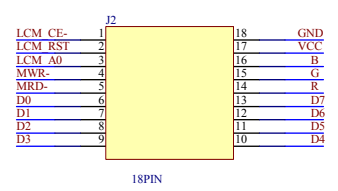
D



C



B



A

# MP3\_SKON\_LCM

1 2 3 4 5 6

Title		
Size	Number	Revision
B		
Date:	29-May-2004	Sheet of
File:	E:\KV\Modu5HE9e 001\sch\MP_524_LCM	By:

D

C

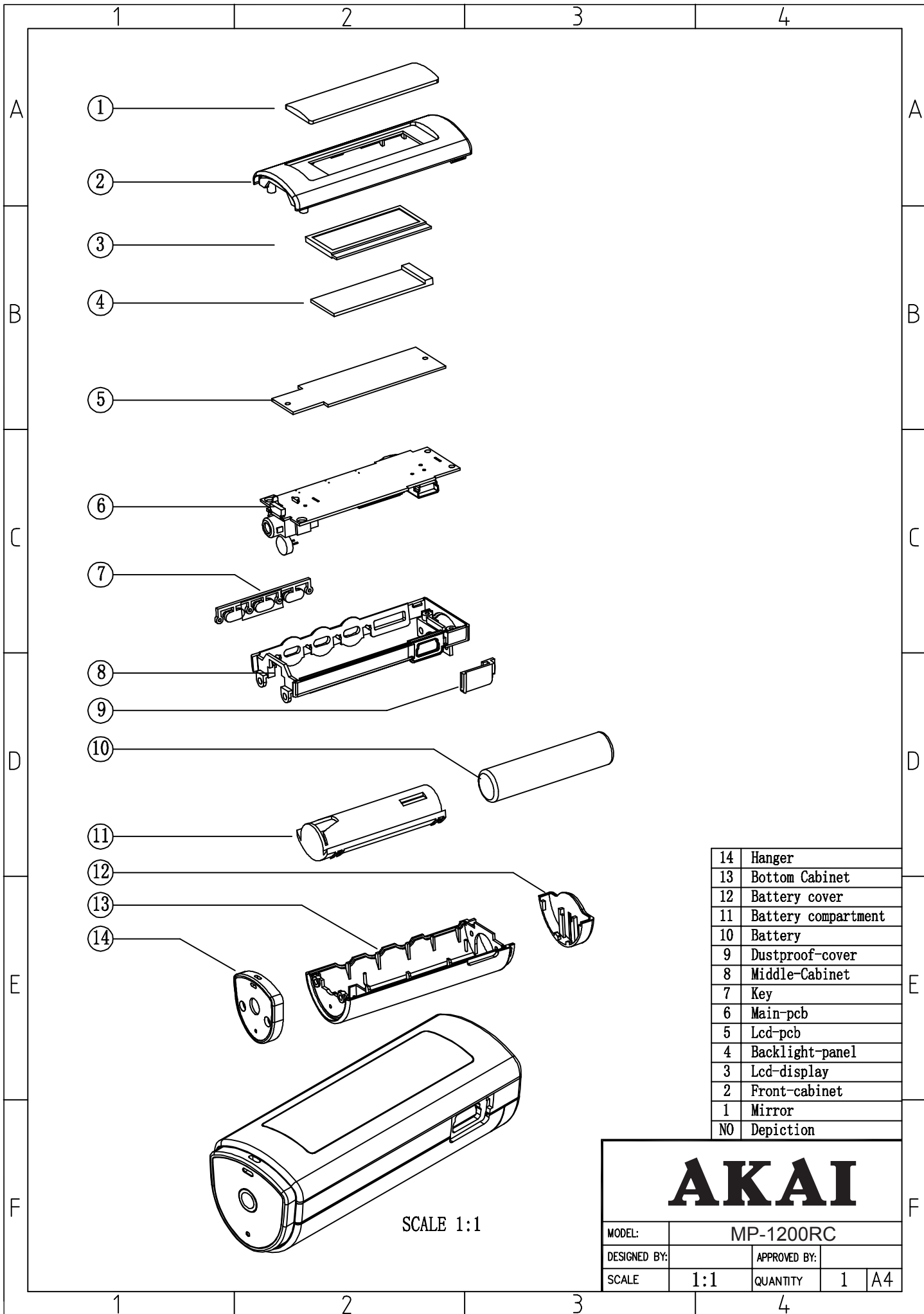
B

A

### AKAI MP 1200RC part list

LOCATION	DESCRIPTION	SPECIFICATION	QTY.	
<b>MAIN BOARD PCB</b>				
LOCATION	DESCRIPTION	SPECIFICATION	QTY.	PT_NR
SKON-II MAIN PCB	PCB BOARD	SY-R200 MAIN PCB	1	115- SYR20035-1
J3	FM MODUEL	TEA5767	1	105- *TEA5767-1
U1	IC	ATJ2805		105- *ATJ2805-1
U5	IC	K9F5608UOM-YCBO FLASH(128MBit)	1	105- K9F5608U-1
C6-7	CERAMIC CAP.	15PF (+/- 2PF 50V SMD 0402)	2	102- 61506207-0
C2	CERAMIC CAP.	100PF (+/-5% 16V 0402)	1	102- 61016207-0
C20	CERAMIC CAP.	470PF (+/-10% 50V SMD 0402)	1	102- 64716307-0
C3	CERAMIC CAP.	1000PF (+/-10%50V SMD 0402)	1	102- 61026307-0
C21-23	CERAMIC CAP.	0.01UF (+/-10% 50V SMD 0402)	3	102- 61036307-0
C9 C13 C17 C25	CERAMIC CAP.	0.1UF (+/-20%50V SMD 0402)	4	102- 61046307-0
C1 C4-5 C10- 12 C15-16 C19 C24	CERAMIC CAP.	0.22UF (+/-20% 50V SMD 0402)	11	102- 62246307-0
C14	CERAMIC CAP.	0.47UF (+/-20% 50V SMD 0402)	1	102- 64746307-0
R11	CHIP RESISTOR	0 ohm +/-5% 1/16w SMD 0402	1	101- 40000158-0
R3	CHIP RESISTOR	4R7 ohm +/-5% 1/16w SMD 0402	1	101- 40470158-0
R13-14	CHIP RESISTOR	20 ohm +/-5%1/16w SMD 0402	2	101- 42000158-0
R7-8	CHIP RESISTOR	24 ohm +/-5% 1/16w SMD 0402	2	101- 42400158-0
R12	CHIP RESISTOR	2K2 ohm +/-5% 1/16w SMD 0402	1	101- 42220158-0
R9-10	CHIP RESISTOR	47K ohm +/-5%1/16w SMD 0402	2	101- 44730158-0
R15-16 R22 R24-26	CHIP RESISTOR	51K ohm +/-5% 1/16w SMD 0402	6	101- 45130158-0
R1	CHIP RESISTOR	100K ohm +/-5% 1/16w SMD 0402	1	101- 41040158-0
R2	CHIP RESISTOR	150K ohm +/-5% 1/16w SMD 0402	1	101- 41540158-0
CE1-2 CE4-5 CE7-8 CE3	CHIP TANTALUM CAP.	47UF/6.3V +/-20% (3528)	7	102- 44761410-0
CE6	CHIP TANTALUM CAP.	100UF/6.3V +/-20% (3528)	1	102- 41071410-0
CE10-11 CE9	CHIP TANTALUM CAP.	220UF/6.3V +/-20% (3528)	3	102- 42271410-0
D1	DIODE	1N4148	1	104- 11N41480-1
U2	IC	XC6206P152M SOT23	1	105- XC6206P1-1

LOCATION	DESCRIPTION	SPECIFICATION	QTY.	PT_NR
U3	IC	XC6206P302M S0T23	1	105- XC6206P3-1
D3-4	TRANSISTRO	RD491D NPN\TP SOT23	2	103- *RD491D1- 1
L15 L16 L17	CHIP INDUCTORES	1UH 0805	3	111- 10101000-A
L1-2	CHIP INDUCTORES	39UH	2	111- 13901010-A
B1 L3-4	CHIP INDUCTORES	600R/100MHZ 0603	3	111- 16011010-C
Y1	CRYSTAL	24.576 MHZ 2*6MM	1	106- 32400006-4
EAR1	EARPHONE JACK	ST-003B	1	112- 20ST003B-1
SW1	TACTILE SWTICHES	IT-1211	1	109- 20IT1211-1
K1-K3	TACTILE SWTICHES	S18-21MP160-1	3	109- 2TS1821M-1
MIC1	MICROPHONE	PFN-T3535P-C1033 (DIP Φ =6*H2.5)	1	114- 2T3535P6-0
J2	USB JACK	5PIN USB-0400	1	112- 4USB0404-0
		<b>LCD BOARD PCB</b>		
SKON-II LCD PCB	PCB	TOP PCB	1	115- SYR20005-3
LCD1 (132032 LOG)	LCD	7532(TAB)	1	116- 2***7532-0
	LCD 背光源	七彩(TE-3613RGB-01) 单兰色(JE- 3613B-01 36*13*1.0MM)	1	139- 0TB3613R-0
Q1	TRANSISTRO	MMBT222 SOT23	1	103- *MMBT222- 1
C1-5	CERAMIC CAP.	0.1UF (+/-10% 16V 0402)	5	102- 61046307-0
C6-9	CERAMIC CAP.	0.22UF (+/-10% 16V 0402)	4	102- 62246307-0
R1 R6	RESISTOR	10K ohm +/-5% 25v 1/10w 0402	1	101- 41030158-0
R2-3	RESISTOR	24 ohm +/-5% 25v 1/10w 0402	2	101- 42400158-0
R4	RESISTOR	330 ohm +/-5% 25v 1/10w 0402	1	101- 43310158-0
J1	FLEXIBLE WIRE	22PIN FPC PICTH=0.7MM L=???	1	108- 22070010-2
				包装
	USB WIRE	BIG 4P&5PIN YTDUS04-033	1	128- S0403304-0



14	Hanger
13	Bottom Cabinet
12	Battery cover
11	Battery compartment
10	Battery
9	Dustproof-cover
8	Middle-Cabinet
7	Key
6	Main-pcb
5	Lcd-pcb
4	Backlight-panel
3	Lcd-display
2	Front-cabinet
1	Mirror
NO	Depiction

<b>AKAI</b>				
MODEL:	MP-1200RC			
DESIGNED BY:		APPROVED BY:		
SCALE	1:1	QUANTITY	1	A4

SCALE 1:1