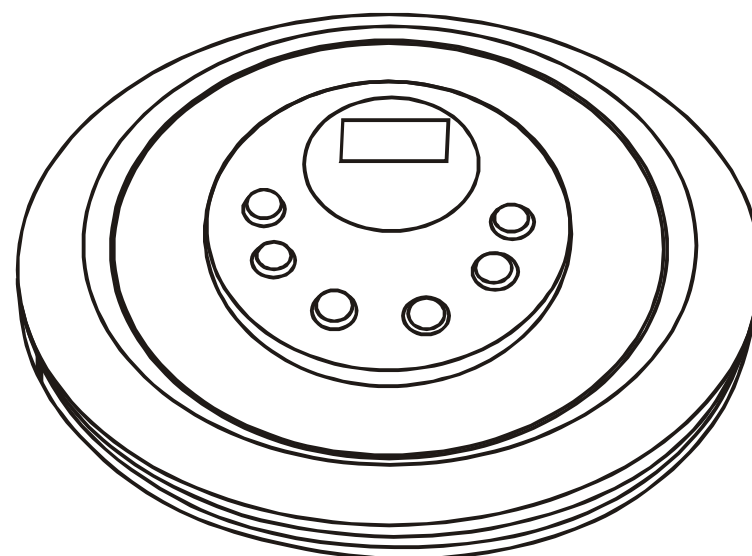


Service Manual

COMPACT DISC COMPACT PLAYER



PD-X4440R

CONTENTS

	Page
Specifications & Performance Specifications	1
Electrical Parts List	2
Wiring Diagram	6
Printed Circuit Boards	7
Schematic Diagrams	15
Voltage Chart	19
IC Lead Identification & Internal Diagrams	21
Block Diagram	24
Exploded Drawing Parts List	25
Exploded Drawing	27

PRODUCT SAFETY NOTICE


Many electrical and mechanical parts in this chassis have special safety characteristics. These safety characteristics often pass unnoticed and the protection afforded by them cannot necessarily be obtained by using replacement components rated for higher voltage, wattage, etc. Replacement parts that have these special safety characteristics are identified in this manual and its supplements; electrical components having such features are identified by ⚠ in the schematic diagram and the parts list.

Before replacing any of these components, read the parts list in this manual carefully. The use of substitute replacement parts that do not have the same safety characteristics as specified in the parts list may create shock, fire or other hazards.

SPECIFICATIONS

GENERAL

OUTPUT (at 1kHz 0dB level): Headphones / earphones (stereo mini-jack)
15mW + 15mW at 16ohms to 32ohms

POWER REQUIREMENTS: 3V \equiv (2 x AA / LR6 / MN 1500) alkaline batteries,
or DC IN 6V, 350mA power adaptor
Polarity of plug 

DIMENSIONS: Approx. 153 x 30 x 128 mm (W/H/D)

WEIGHT: Approx. 200g (not include batteries)

OPERATING VOLTAGE:

U.S.A. 120V AC \pm 5% 60Hz	Middle East and Australia: 240V AC \pm 5% 50Hz	UK and Germany 230V AC \pm 5% 50Hz
Chile: 230V AC \pm 5% 50Hz	Singapore, Malaysia & Thailand 200-240V AC \pm 5% 50 Hz	Japan 100V AC \pm 5% 50/60Hz

We continually strive to improve our products, specifications may change without notice.

PERFORMANCE SPECIFICATIONS

GENERAL TEST CONDITION	
Power Supply	: AC - DC Adaptor 100V: 6V DC 60Hz Battery: 3V (AA x 2) 120V: 6V DC 60Hz 230V: 6V DC 50Hz 110/220V: 6V
Headphone Output Load	: 16 ohm or 32 ohm
Reference Output	: 5mW
Input Signal Source	: CBS SONY YED7 (PTD-001) SONY PHILIPS SBC 444A (TCD-725, TDC-731, TDC-712) A. Bex
Remarks	: All data should be checked at main unit.

Earphone Output:

	TEST ITEMS	UNIT	NOMINAL	LIMIT
1	10% THD Output Power (1kHz, 0dB) (16 or 32ohm)	mW	-	12
*2	Signal to Noise Ratio (1kHz)	dB	76	70
*3	Channel Separation (1kHz, 0dB)	dB	55	45
*4	Total Harmonic Distortion 1kHz	%	0.3	1
5	Frequency Response (1kHz, 0dB)	100Hz	\pm 1	\pm 3
		10kHz	\pm 1	\pm 3
		20kHz	\pm 3	\pm 6

*with external A filter

Playability Testing

	TEST ITEMS	UNIT	LIMIT
1	Interruption (PHILIPS SBC-444A)	mm	0.6
2	Black Dot (PHILIPS SBC-444A)	mm	0.6
3	Finger Print (ESP OFF) (PHILIPS SBC-444A)	-	TN0, 18, 19
4	Vertical (A.Bex TDC-731R)	mm	0.5
5	Eccentricity (A. Bex TDC-712R)	μ m	140

ELECTRICAL PARTS LIST

Ref. No.	Description	Mfr's Part No.	Qty.
PCB			
REMOTE PCB	PCB WRC7-01-01 164x80x0.8mm/6 (FR4)	033-00WRC7-100	1
CONTROL PCB	PCB CDM29R-01-02 190x81.5x0.8mm/3 (94HB) SINGLE SIDED	033-CDM29R-101	1
MAIN PCB	PCB CDM29W-01-01 203x132x0.8mm/2 (FR4)	033-CDM29W-100	1
REMOTE CONTROL SECTION - (OPTIONAL)			
RESISTORS			
R801,802,805,806	CHIP RESISTOR 10 Kohm \pm 5% 1/16W (T&W) (0402/1005)	001-310356-016	4
R807,808	CHIP RESISTOR 100 Kohm \pm 5% 1/16W (0402/1005)	001-310456-016	2
R803	CHIP RESISTOR 1.2 Mohm \pm 5% 1/16W (0402/1005)	001-312556-016	1
R804	CHIP RESISTOR 51 Kohm \pm 5% 1/16W (0402/1005)	001-351356-016	1
CAPACITORS			
C801,802,803	CHIP CAP 0.01 μ F/16V \pm 10% (0402/1005) (GRM36X7R103K16PT)	003-510314-016	3
C804,808	CHIP CAP 0.1 μ F/16V \pm 20% (0402/1005)	003-510484-016	2
C805	CHIP TANTALUM CAP 10 MFD/4V \pm 20% (A CASE:3216)	006-A10000-04D	1
INTEGRATED CIRCUIT			
IC801	ICDISPLAYDRIVER-LCD SPL10A2-203A-C (SUNPLUS)	010-530102-000	1
DIODES			
D802	CHIP DIODE DAN202U	011-040202-003	1
D801	CHIP DIODE DA227 (ROHM)	011-040227-000	1
SWITCHES			
SW802,804,807,809	LUMI SWITCH LS7A2M-T (87-A90-665-18)	021-007200-000	4
SW801,803,806,808,811	CHIP TACT SW SKQLLA/F1841501M/SKQLLAE010 SKQLLAE011/SKQLLAE012 (87-036-342-08J)	021-SKQLLA-000	5
MISCELLANEOUS			
	ZEBRA CONNECTOR 23.6x1.5x1.9mm	100-052301-190	1
	LCD-P-02D-2315SM000P JT4-02263	112-002263-000	1
	23.5x15.4x1.7mm TRANSIMISSIVE/POSITIVE		
	HEADPHONE JACK HSJ1715-01-110 (BLACK)	116-001715-001	1
	TC38-072-01/EJS-3-0935B/EJ-3513 (BK)		
	REM.CONTROL LINE CORD L=760mm MOULDING	122-008020-070	1
	SM3544+SR 8C CABLE GREY SLDG=1mm		
	H-P SET HP3215-009LT GREY, w/3.5mm STEREO	(For w/charge) 114-013215-000	1
	SIL.GREY WIRE, MOLD:63223,SPY SIL,PNT BLK		
	(F114-010810-000) HEADPHONE SET	(For w/o charge) 114-010103-000	1
	#AR-103/AR103-LT IN EAR		
	APD-EI35GS&&350MA/SO 230V:6VDC CE STD PLUG: 3.5x8 (35V-D0635/AKAI PD-X4440)	133-020635-017	1
MAIN UNIT			
RESISTORS [All are \pm5% 1/16W (1/8W) tape & wheel resistors unless otherwise specified]			
R622,623	CHIP RESISTOR 8.2 ohm \pm 5% 1/10W (For w/charge)	001-382850-010	2
R511	CHIP RESISTOR 4.7 Kohm \pm 5% 1/16W (0603/1608)	001-347252-016	1
R401,402	CHIP RESISTOR 10 Kohm \pm 5% 1/16W (T&W) (0402/1005)	001-310356-016	2
R101	*CdF RESISTOR 100 ohm	001-010151-016	1
R104,532	*CdF RESISTOR 1 Kohm	001-010251-016	2
R501,507,509	*CdF RESISTOR 10 Kohm	001-010351-016	3
R103,502,505,531,610	*CdF RESISTOR 100 Kohm	001-010451-016	5
R121	RESISTOR 18 Kohm	001-018351-016	1
R611	*CdF RESISTOR 22 Kohm	001-022351-016	1
R102,105	*CdF RESISTOR 4.7 ohm	001-047851-016	2

ELECTRICAL PARTS LIST - CONTINUED

Ref. No.	Description	Mfr's Part No.	Qty.
J000	CHIP RESISTOR 0 ohm +-5% 1/8W (1206/3216)	001-300051-018	1
R604	CHIP RESISTOR 10 ohm +-5% 1/16W (0402/1005)	001-310056-016	1
R100,608	CHIP RESISTOR 100 ohm +-5% 1/16W (T&W) (0402/1005)	001-310156-016	2
R314,315,603,620	CHIP RESISTOR 1 Kohm +-5% 1/16W (0402/1005)	001-310256-016	4
R517	CHIP RESISTOR 10 Kohm +-5% 1/16W (0603/1608)	001-310352-016	1
R312,506,508,513,555, 557,558,609	CHIP RESISTOR 10 Kohm +-5% 1/16W (T&W) (0402/1005)	001-310356-016	8
R112	CHIP RESISTOR 100 Kohm +-5% 1/16W (0402/1005)	001-310456-016	1
R120	CHIP RESISTOR 1 Mohm +-5% 1/16W (T&W) (0402/1005)	001-310556-016	1
R605,615	CHIP RESISTOR 12 Kohm +-5% 1/16W (0402/1005)	001-312356-016	2
R140,141	CHIP RESISTOR 1.2 Mohm +-5% 1/16W (0402/1005)	001-312556-016	2
R303	CHIP RESISTOR 180 Kohm +-5% 1/16W (0402/1005)	001-318456-016	1
R106,107,108,109,512	CHIP RESISTOR 20 Kohm +-5% 1/16W	001-320356-016	5
R304,305,306,307	CHIP RESISTOR 2.2 Kohm +-5% 1/16W (0402/1005)	001-322256-016	4
R518	CHIP RESISTOR 22 Kohm +-5% 1/16W (0402/1005)	001-322352-016	1
R110,111,123,313,553, 554	CHIP RESISTOR 22 Kohm +-5% 1/16W (0402/1005)	001-322356-016	6
R302	CHIP RESISTOR 2.2 ohm +-5% 1/16W (0402/1005)	001-322856-016	1
R606,617	CHIP RESISTOR 27 Kohm +-5% 1/16W (0402/1005)	001-327356-016	2
R118	CHIP RESISTOR 33 Kohm +-5% 1/16W (0402/1005)	001-333356-016	1
R310,311	CHIP RESISTOR 39 Kohm +-5% 1/16W (0402/1005)	001-339356-016	2
R114	CHIP RESISTOR 470 ohm +-5% 1/16W (0402/1005)	001-347156-016	1
R119	CHIP RESISTOR 4.7 Kohm +-5% 1/16W (0402/1005)	001-347256-016	1
R115,301,616	CHIP RESISTOR 47 Kohm +-5% 1/16W (0402/1005)	001-347356-016	3
R117	CHIP RESISTOR 470 Kohm +-5% 1/16W (0402/1005)	001-347456-016	1
R127	CHIP RESISTOR 4.7 ohm +-5% 1/16W (0402/1005)	001-347856-016	1
R510	CHIP RESISTOR 6.8 Kohm +-5% 1/10W (0805/2012) (MCR10EZHJ-682)	001-368250-010	1
R515	CHIP RESISTOR 6.8 Kohm +-5% 1/16W (0603/1608)	001-368252-016	1
R122,302	CHIP RESISTOR 75 Kohm +-5% 1/16W (0402/1005)	001-375356-016	2
R607	CHIP RESISTOR 8.2 Kohm +-5% 1/16W (0402/1005)	001-382256-016	1
R116,504	CHIP RESISTOR 91 Kohm +-5% 1/16W (0402/1005)	001-391356-016	2
CAPACITORS			
C119,135,501,503,504, 505,616	CERAMIC CAP 0.1 uF/50V +80-20% (UP050F104Z-BB) (AXIAL TAPED 52mm)	003-210481-050	7
C608	CHIP CAP 0.001 uF/50V +-10% (0402/1005) (GRM36X7R102K50PT)	003-510214-050	1
C103	CHIP CAP 0.01 uF/16V +-10% (0402/1005) (GRM36X7R103K16PT)	003-510314-016	1
C105,107,110,111,115, 117,126,128,129,134,315, 506,508,510,604,606,612, 615,617,622,623,624, CE01,02,03,04	CHIP CAP 0.1 uF/16V +80-20% (0402/1005)	003-510484-016	26
C124,133,303,614	CHIP CAP 1 uF/10V +80-20% (0603/1608)	003-510582-010	4
C121	CHIP CAP 0.0022 uF/50V +-10% (0402/1005) (GRM36X7R222K50PT)	003-522214-050	1
C607,618,619,620,621	CHIP CAP 0.022 uF/16V +-10% (0402/1005)	003-522314-016	5
C114	CHIP CAP 0.22 uF/10V +80-20% (0402/1005)	003-522484-010	1
C109,611	CHIP CAP 470 pF/50V +-10% (0402/1005)	003-547114-050	2
C304,305,306,307	CHIP CAP 560 pF/50V +-10% (0402/1005)	003-556114-050	4
C125	CHIP CAP 0.0068 uF/25V +-10% (0402/1005)	003-568214-025	1

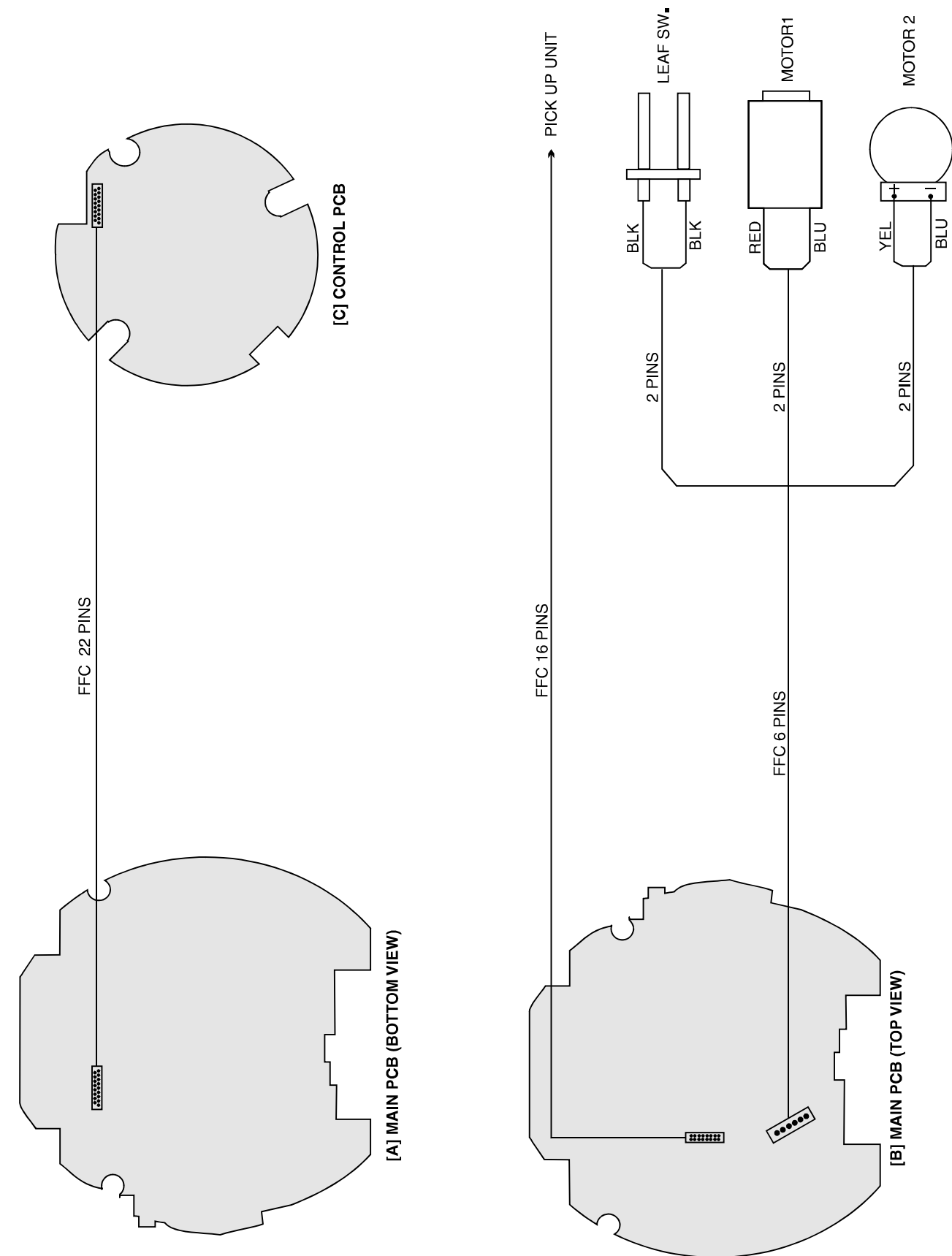
ELECTRICAL PARTS LIST - CONTINUED

Ref. No.	Description	Mfr's Part No.	Qty.
C112	CHIP CAP 120 pF/50V +-5% NPO (0402/1005)	003-612154-050	1
C100,131,132	CHIP CAP 15 pF/50V +-5% NPO (0402/1005) (GRM36C0G150J50PT)	003-615054-050	3
C122,123	CHIP CAP 150 pF/50V +-5% NPO (0402/1005)	003-615154-050	2
C603	CHIP CAP 47 pF/50V +-5% NPO (0402/1005)	003-647054-050	1
C605,610	ELECT CAP 220 MFD/10V +-20% (SMALL SIZE) (6.3x7)	006-122100-10D	2
C113,403	ELECT CAP 3.3 MFD/25V +-20% (SMALL SIZE) (MAD/4x5)	006-203000-25C	2
C308,309	ELECT CAP 4.7 MFD/16V +-20% (SMALL SIZE) (4x5)	006-204000-16D	2
C609,613	*CdF ELECT CAP 10 MFD/16V +-20% (SMALL SIZE) (MAD/4x5)	006-210000-16C	2
C101,102,108,120,127, 402	*CdF ELECT CAP 100 MFD/4V +-20% (SMALL SIZE) (MAD/5x5)	006-210100-04C	6
C118	*CdF ELECT CAP 22 MFD/16V +-20% (SMALL SIZE) (UMJ1C220/5x5)	006-222000-16C	1
C104,301,312,313,601, 602	ELECT CAP 220 MFD/4V +-20% (SMALL SIZE) (MAD/6.3x5)	006-222100-04D	6
C302,502	*CdF ELECT CAP 47 MFD/4V +-20% (SMALL SIZE) (MAD/4x5)	006-247000-04C	2
TRANSISTORS			
Q101	(F008-100933-000) TR PNPSST-RAD&SC-072 2SA933S(R/S) 2SA933ASS/2SA933ASTPR/S	008-109330-000	1
Q601	TRLPNPPWR-RAD&SC-072 2SB1237 (ROHM)	008-201237-000	1
Q602,603	TR NPNGEN-RAD&SC-072 2SC4115SR/Q/S/ STPR/STPQ/STPS	008-304115-000	2
Q604,605	TR NPNSST-SMT&SC-072 2SC1740S-Q/R (ROHM) (TAPING)	008-317400-001	2
Q102	TR PNPGEN-TAP&SC-70& DTA124EUA (ROHM) (SMD) (CHIP)	008-A00124-800	1
Q607	TR PNPGEN-RAD&SC-070 2SA1586GR (TOSHIBA) (CHIP) (89-115-865-08C)	008-A15860-001	1
INTEGRATED CIRCUITS			
IC501	ICMCU-16K-LCD BU24590-8W 4BIT 1CHIP CPU	010-352459-004	1
IC101	ICCDP-005CDSP BU9534KV CD SERVO WITH BUILT IN DRAM CONTROLLER	010-359534-000	1
IC301	ICAMP-HEAD-ST-0.001W BH4453F	010-404453-000	1
IC601	ICMOTORDRIVER-04CH BH6575FV	010-406575-000	1
IC401	(F010-310416-002) ICRAMS-01X016M HY57V161610DTC-8/-6 (SC076)	045-Q01016-200	1
DIODES			
D603	ZENER DIODE 6.2V #MTZJ6.2C	011-010062-005	1
D601	RECTIFIER IN-4001B/IN-4001 (DC)	011-024001-000	1
D501	CHIP DIODE DAN202U	011-040202-003	1
INDUCTORS			
L601	IFT R0002-CY68-950M-825549 10mm	012-825549-010	1
L302,303,304,305,306, 307,308	CHIP FERRITE BEAD GZ1608Y102T (0603/1608) (SUNLORD)	032-101608-015	7
RESONATOR			
X101	CERAMIC RESONATOR 16.93 MHz ZTA16.93MX (ZHEJIANG JIAKANG)	020-001693-005	1
SWITCHES			
SW512	TACT SW (DETECTRO SWITCH) 1P1T DTS-03-B/1120-1	021-001111-001	1
SW508,509	CHIP TACT SW SKQLLA/F1841501M/SKQLLAE010 SKQLLAE011/SKQLLAE012 (87-036-342-08J)	021-SKQLLA-000	2

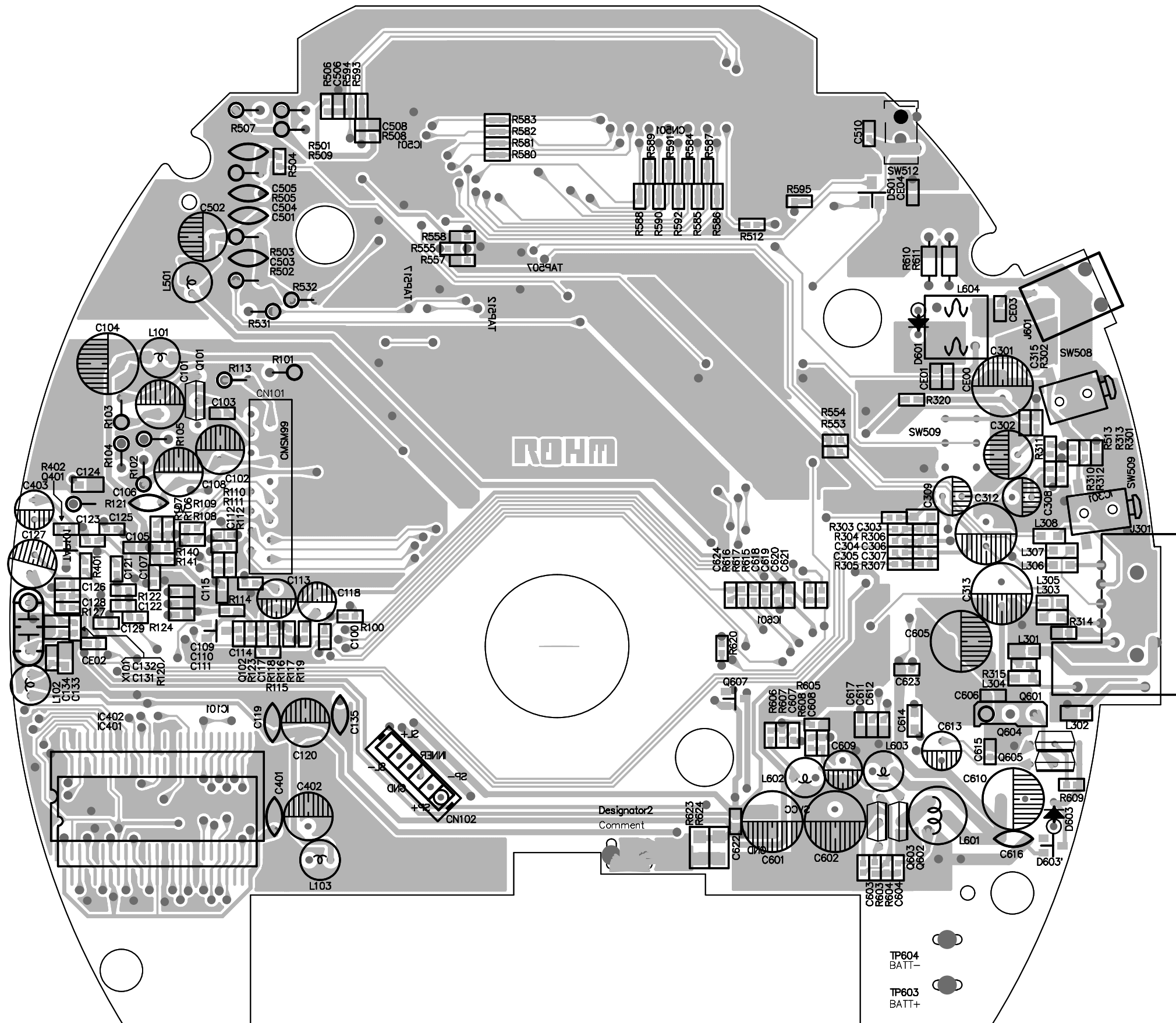
ELECTRICAL PARTS LIST - CONTINUED

Ref. No.	Description	Mfr's Part No.	Qty.
INDUCTORS			
L101	INDUCTOR 10 uH CEC-100K/ZHFAI03-100KT +-10% (CdF)	018-010016-000	1
L603	CHOKE COIL 330 uH +-10% CW45-331K	018-030335-202	1
MISCELLANEOUS			
L301	TOROIDAL COIL BA1203030835 100MHz	037-120835-100	1
UNIT"PC"	FLEXIBLE PWB 17PINS L=163.2mm (81.6+81.6) P:0.5&1.0mm MATERIAL:POLYESTER S-0187B LCD-P-02D-2616SM000P JT4-02006 VOP:3V 26x16x2.8 REF./P SDT-DA065-RP-1/DA408-RP-0	044-170163-005	0.5
J301	HEADPHONE JACK 3.5mm 8 PINS EJS-4-3735	112-002006-001	1
J601	DC JACK #TC18-077-01 (TAI CHUNG)/DC-003 (LINKTECH) (87-A60-122-019)	116-083735-000	1
CN601	DC JACK #TC18-077-01 (TAI CHUNG)/DC-003 (LINKTECH) (87-A60-122-019)	120-118077-001	1
CN601	HEADER JST 6 PINS W150V-06T PITCH 1.5mm VERTICAL TYPE	135-B06BZR-061	1
CN501	FFC/FPC CONNECTOR 16 PINS PITCH:1mm #D100-DRA-16 DOUBLE CONTACT (CdF)	135-D100DR-160	1
CN501	FFC SOCKET 17 PINS PITCH:1mm #FPC1.0C-SMT-17PW	135-FPCSMT-170	1
CN501	CD&-PTB-01-SAMG-N CD MECHANISM CMS-M99DG6 SAMSUNG	153-000996-000	1

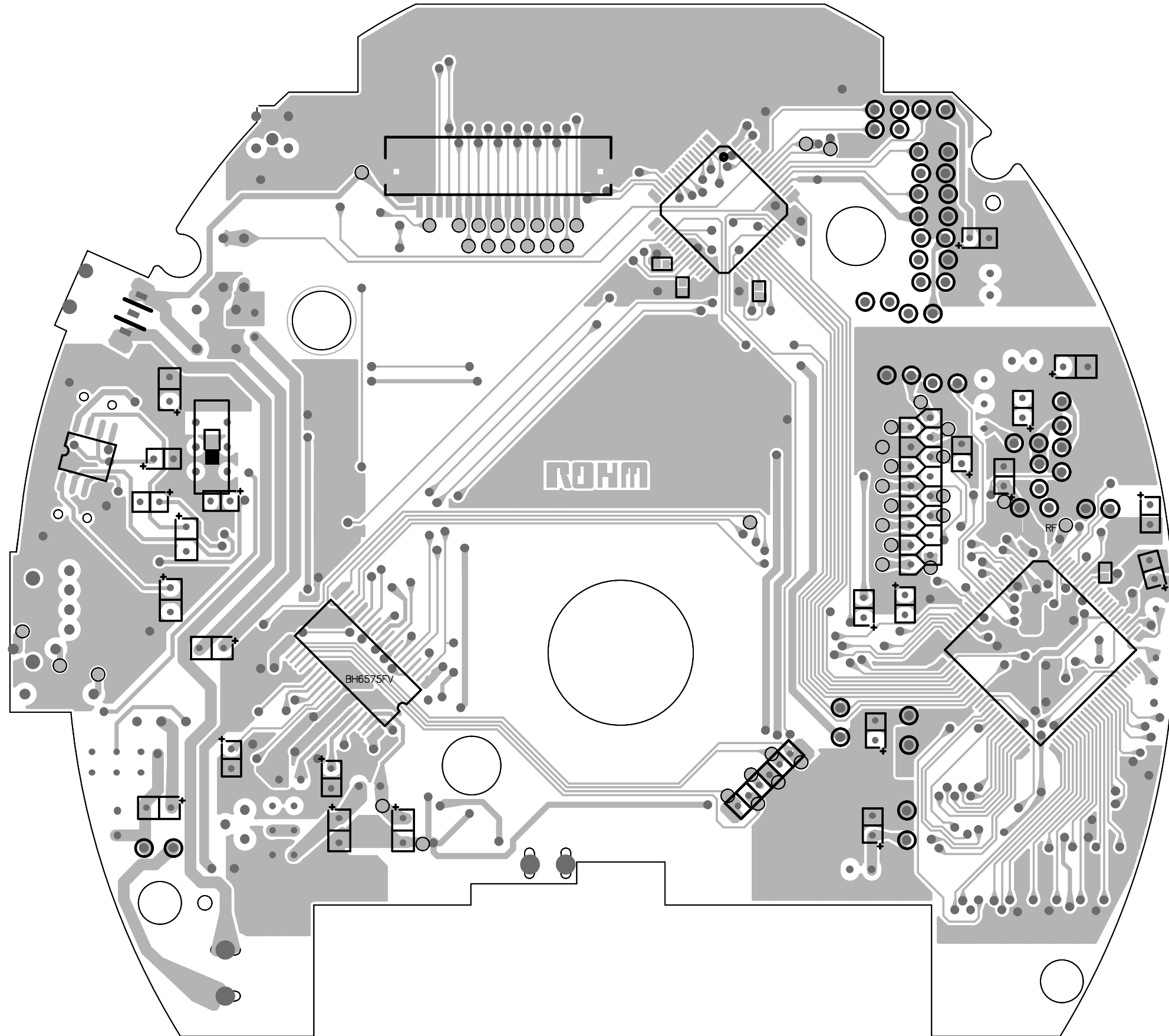
WIRING DIAGRAM



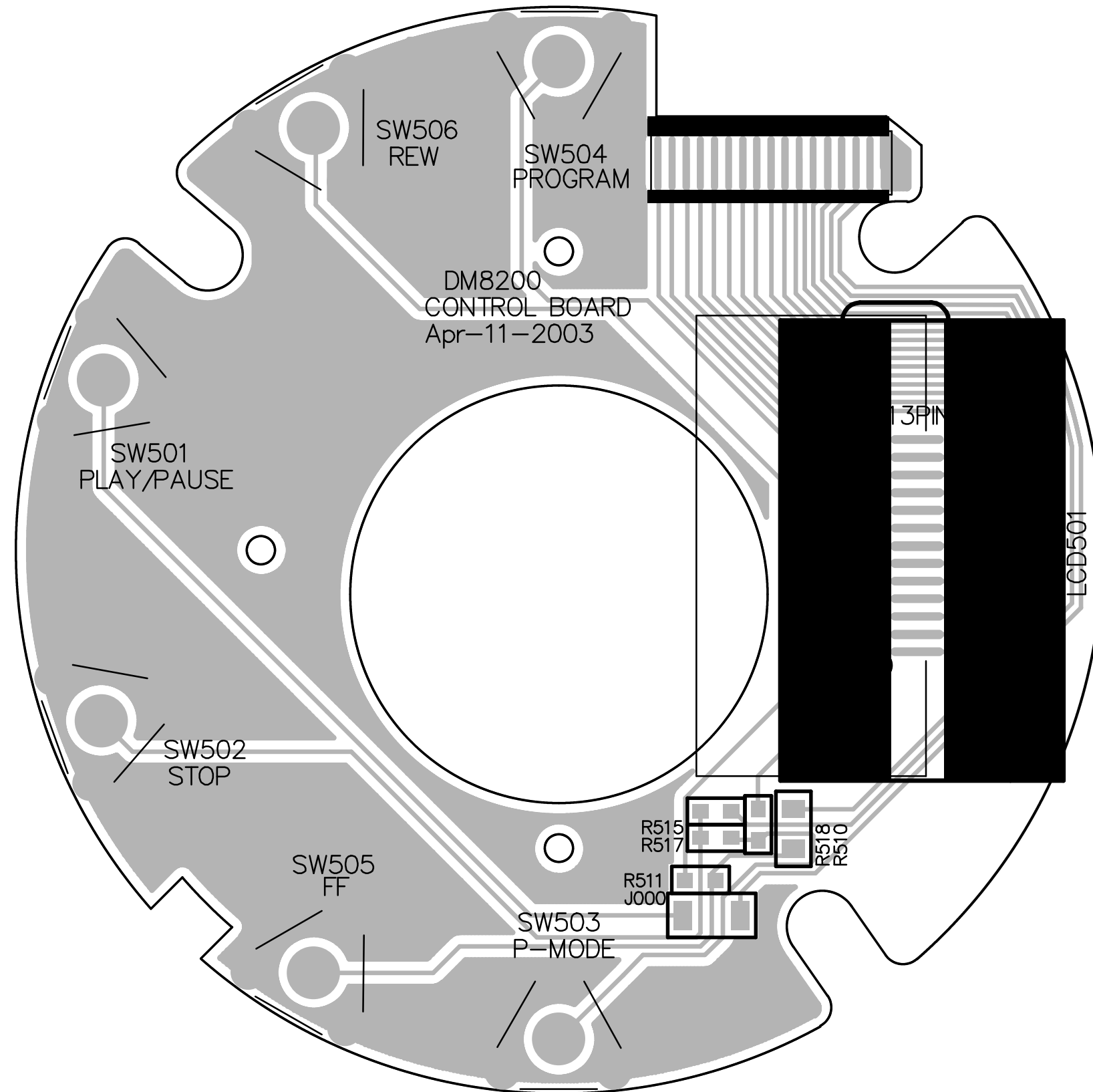
PRINTED CIRCUIT BOARDS
 MAIN PCB (TOP VIEW)
 CDM29W-01-01



MAIN PCB (BOTTOM VIEW)
CDM29W-01-01

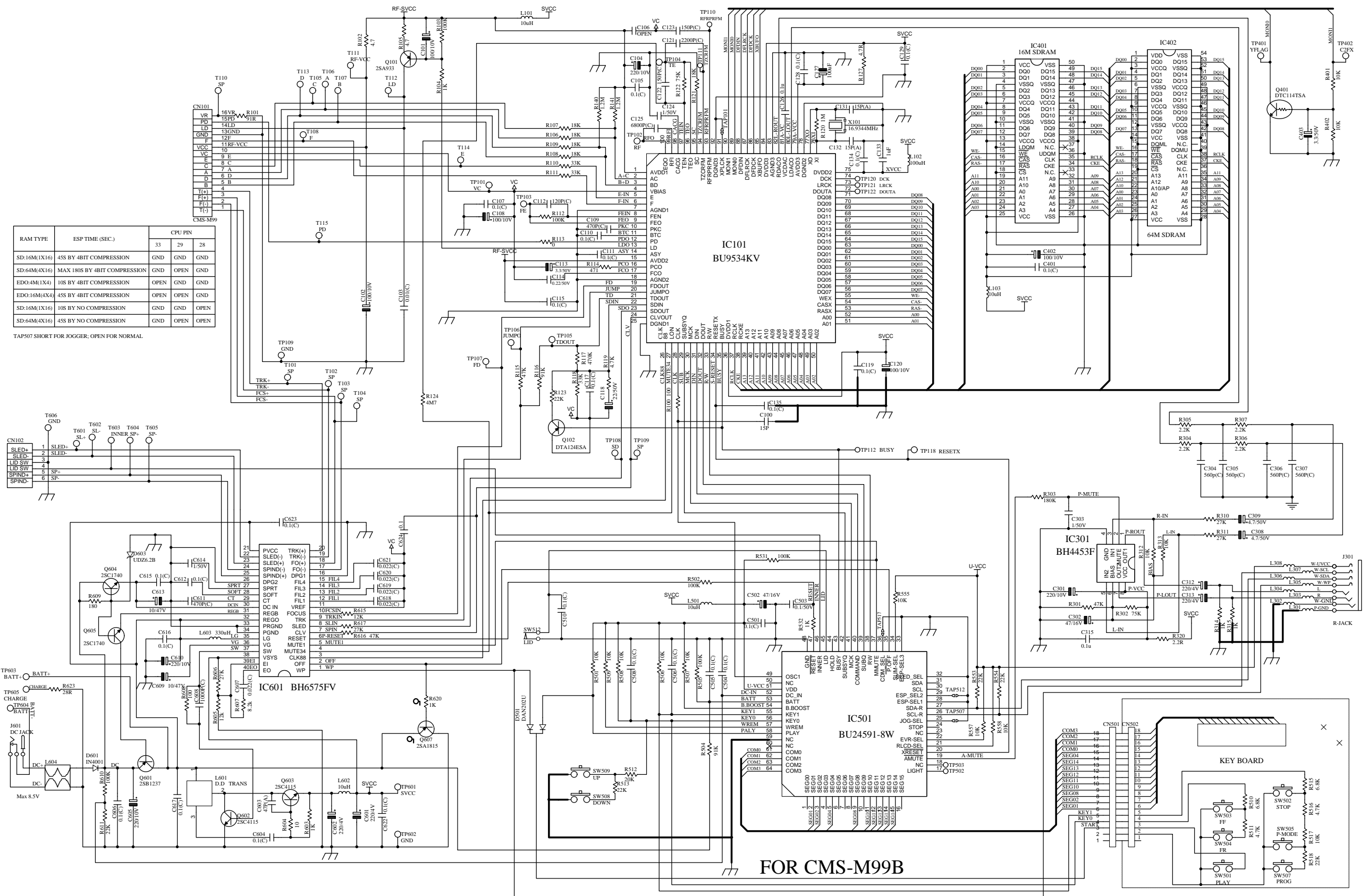


**CONTROL PCB
CDM29R-01-02**



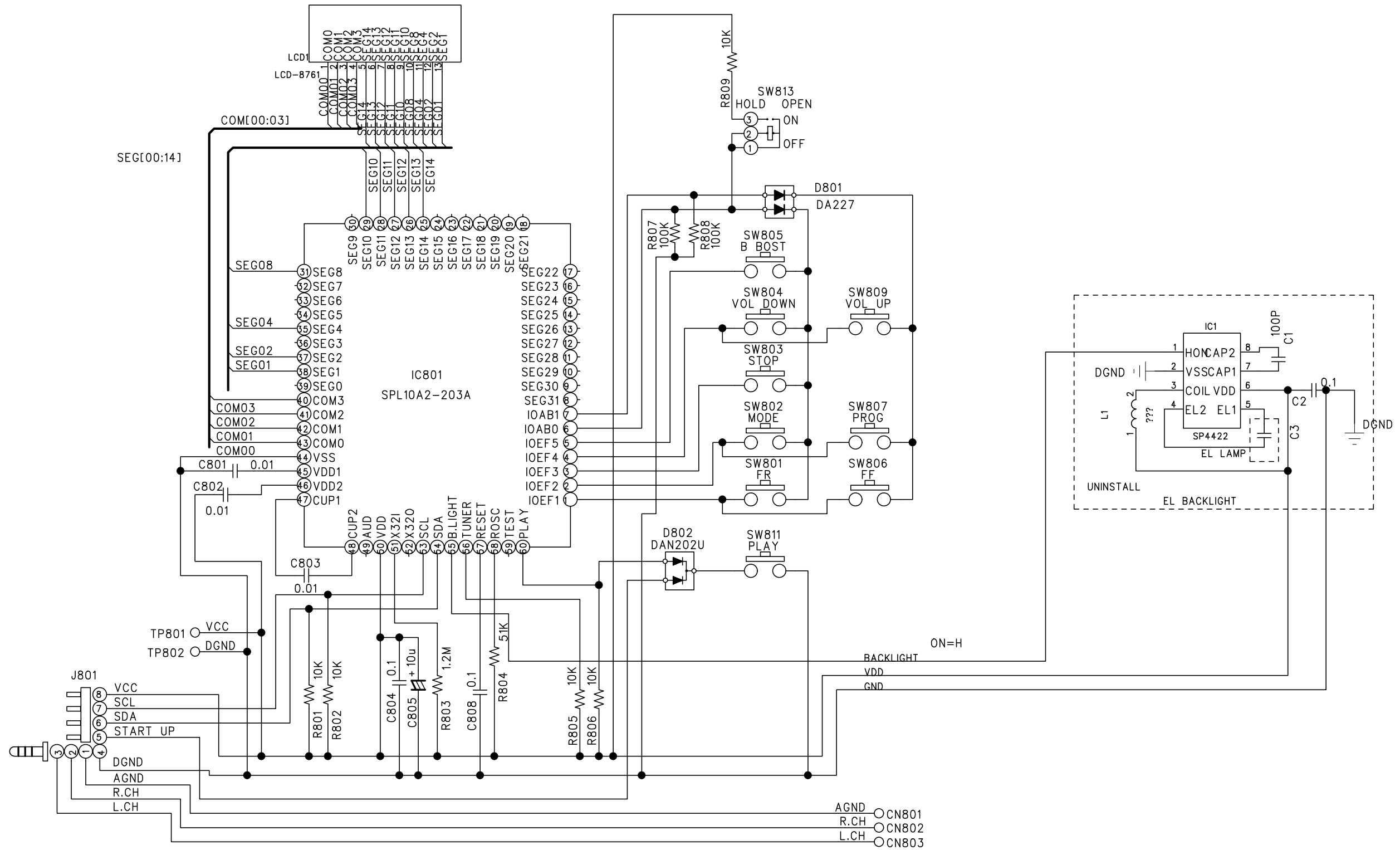
MAIN SECTION

SCHEMATIC DIAGRAMS



NOTES:
 1. All resistance values are indicated in "ohms"(k=1000 ohms. M=1000 Kohms).
 2. All capacitance values are indicated in "μF" (p=10⁻⁶μF).

REMOTE CONTROL SECTION



NOTES:

1. All resistance values are indicated in "ohms" (k=1000 ohms. M=1000 Kohms).
2. All capacitance values are indicated in "µF" ($\mu=10^{-6}$ µF).

VOLTAGE CHART

MAIN SECTION
TEST CONDITION:CD PLAY
IC301 (BH4453F)

PIN'S NUMBER	1	2	3	4	5	6	7	8
CD PLAY	1.00	1.50	1.10	0	1.10	1.10	1.00	2.90

IC501 (BU24590-8W)

PIN'S NUMBER	1	2	3	4	5	6	7	8
CD PLAY	1.56	1.56	1.56	1.57	1.56	2.00	1.57	1.56
PIN'S NUMBER	9	10	11	12	13	14	15	16
CD PLAY	1.56	1.56	1.56	1.56	1.56	1.56	1.56	1.56
PIN'S NUMBER	17	18	19	20	21	22	23	24
CD PLAY	0.02	3.10	0.04	0.02	0.05	0.04	0.17	0.17
PIN'S NUMBER	25	26	27	28	29	30	31	32
CD PLAY	3.10	3.10	3.10	3.10	3.10	0.02	3.10	0.26
PIN'S NUMBER	33	34	35	36	37	38	39	40
CD PLAY	0.03	3.10	1.44	0.03	3.10	3.09	0.05	0.05
PIN'S NUMBER	41	42	43	44	45	46	47	48
CD PLAY	3.10	0.06	0.02	2.48	3.10	3.10	3.10	0.02
PIN'S NUMBER	49	50	51	52	53	54	55	56
CD PLAY	1.54	1.41	0.00	3.1	2.96	1.29	0.02	1.43
PIN'S NUMBER	57	58	59	60	61	62	63	64
CD PLAY	3.10	3.10	3.10	0.02	1.56	1.55	1.55	1.56

IC101 (BU9534KV)

PIN'S NUMBER	1	2	3	4	5	6	7	8	9	10
CD PLAY	2.87	1.48	1.47	1.44	1.49	1.49	0	1.44	1.44	1.96
PIN'S NUMBER	11	12	13	14	15	16	17	18	19	20
CD PLAY	0.95	0.19	1.97	1.44	2.87	1.44	1.25	0.00	1.50	1.46
PIN'S NUMBER	21	22	23	24	25	26	27	28	29	30
CD PLAY	1.64	1.63	2	1.69	0	1.47	2.93	1.46	0.08	2.91
PIN'S NUMBER	31	32	33	34	35	36	37	38	39	40
CD PLAY	1.90	0.17	2.71	2.92	2.95	2.93	1.46	0.41	0	0
PIN'S NUMBER	41	42	43	44	45	46	47	48	49	50
CD PLAY	0	2.32	0	0	2.32	2.32	2.44	2.40	2.00	2.00
PIN'S NUMBER	51	52	53	54	55	56	57	58	59	60
CD PLAY	1.99	1.70	2.44	2.45	2.79	1.33	1.42	1.37	1.42	1.39
PIN'S NUMBER	61	62	63	64	65	66	67	68	69	70
CD PLAY	1.37	1.39	1.38	1.34	1.33	1.39	1.41	1.39	1.43	1.40
PIN'S NUMBER	71	72	73	74	75	76	77	78	79	80
CD PLAY	2.05	1.48	1.50	1.44	2.96	1.50	1.47	0	2.94	1.48
PIN'S NUMBER	81	82	83	84	85	86	87	88	89	90
CD PLAY	1.48	1.49	0	2.94	2.93	2.94	2.94	2.94	2.94	0
PIN'S NUMBER	91	92	93	94	95	96	97	98	99	100
CD PLAY	2.93	0	2.17	1.45	0.39	1.57	1.44	0.87	1.45	1.52

IC601 (BH6575FV)

PIN'S NUMBER	1	2	3	4	5	6	7	8	9	10
CD PLAY	2.93	2.92	1.47	2.93	0.03	2.91	1.44	1.48	2.08	1.44
PIN'S NUMBER	11	12	13	14	15	16	17	18	19	20
CD PLAY	1.44	1.41	1.44	1.44	1.44	0.02	0.12	0.32	0.1	0.05
PIN'S NUMBER	21	22	23	24	25	26	27	28	29	30
CD PLAY	2.94	0	0	0	2.95	0	0.06	1.06	0	0
PIN'S NUMBER	31	32	33	34	35	36	37	38	39	40
CD PLAY	0	0	0	0	2.96	2.96	0.24	2.93	0.92	0.43

VOLTAGE CHART - CONTINUED

IC401 (HY57V161610DTC/W981616BH-7)

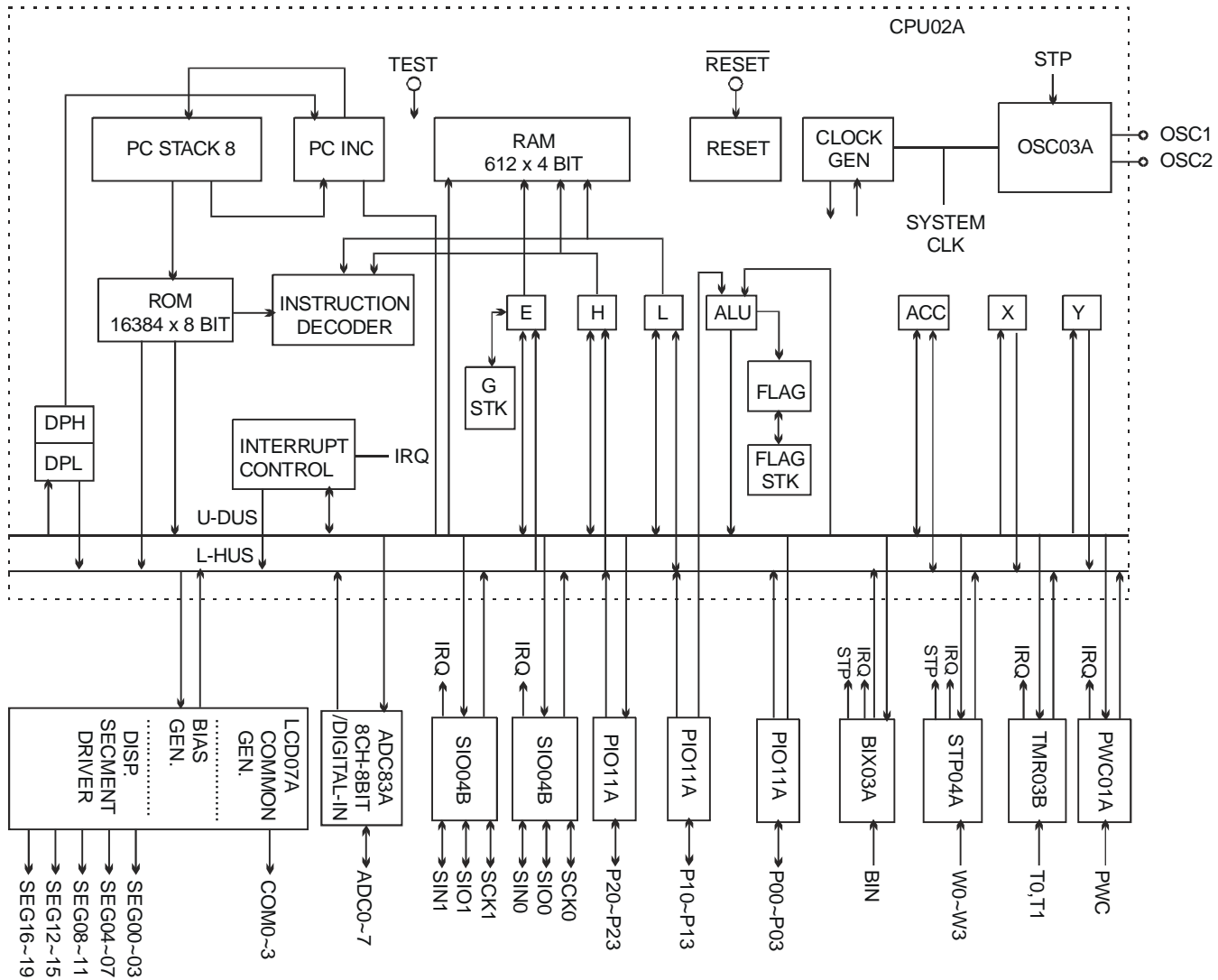
PIN'S NUMBER	1	2	3	4	5	6	7	8	9	10
CD PLAY	3.14	1.62	1.15	0	1.50	1.54	3.14	3.03	1.53	0
PIN'S NUMBER	11	12	13	14	15	16	17	18	19	20
CD PLAY	1.15	1.60	3.14	0	3.09	3.08	3.04	0	2.40	1.47
PIN'S NUMBER	21	22	23	24	25	26	27	28	29	30
CD PLAY	1.65	1.47	1.42	1.47	3.14	0	1.56	1.54	1.49	1.45
PIN'S NUMBER	31	32	33	34	35	36	37	38	39	40
CD PLAY	1.42	1.49	0	0.14	0	0	0	3.14	1.53	1.58
PIN'S NUMBER	41	42	43	44	45	46	47	48	49	50
CD PLAY	0	1.56	1.56	3.14	1.53	1.60	0	1.65	1.69	0

ALIGNMENT SET-UP PROCEDURES

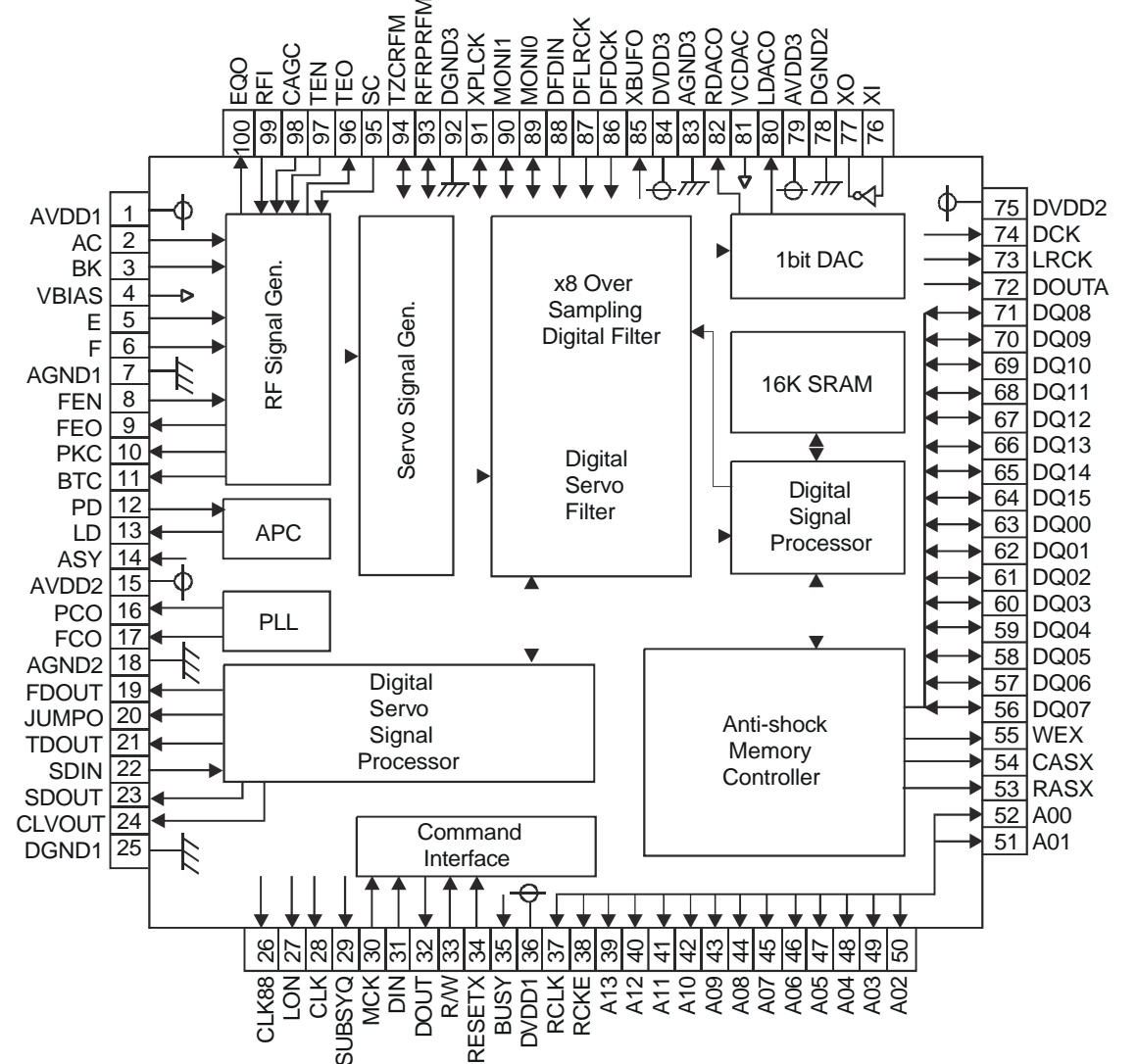
There is no need to adjust the CD servo PWB. Because auto-adjustment function has been set by the CPU.

IC LEAD IDENTIFICATION & INTERNAL DIAGRAMS

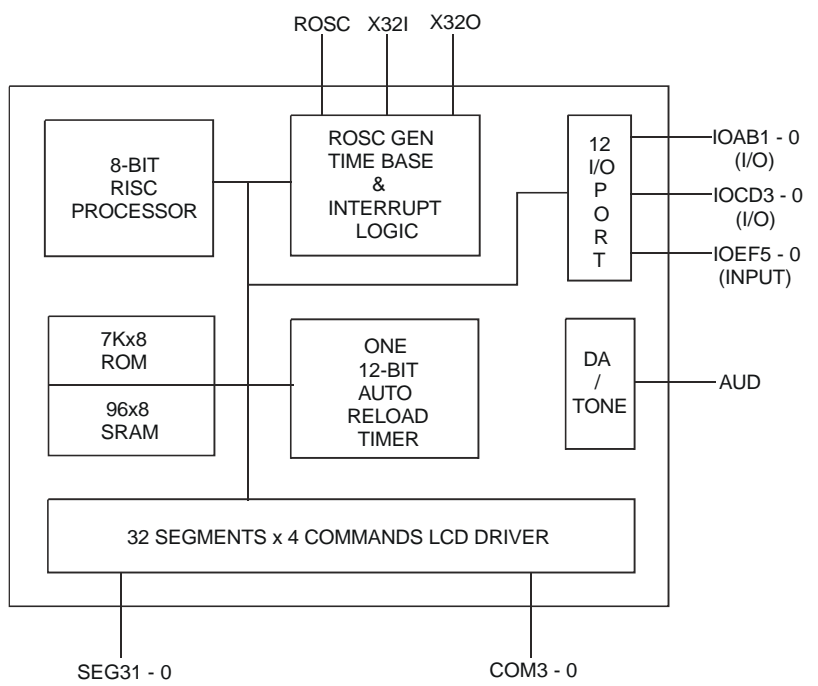
IC501 BU24590-8W



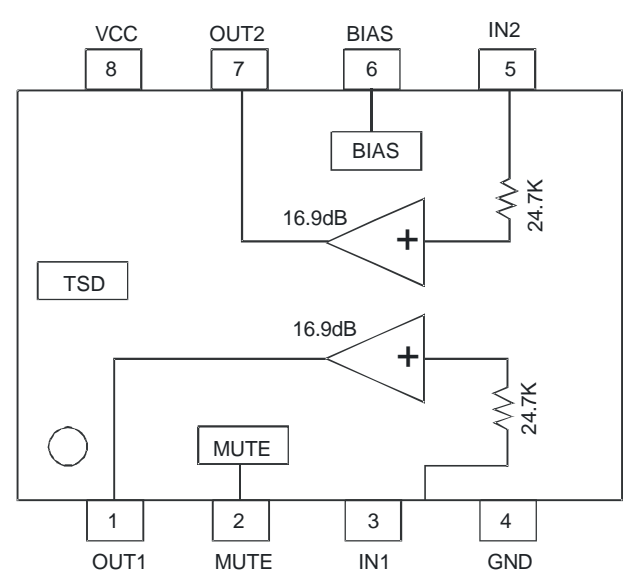
IC101 BU9534KV



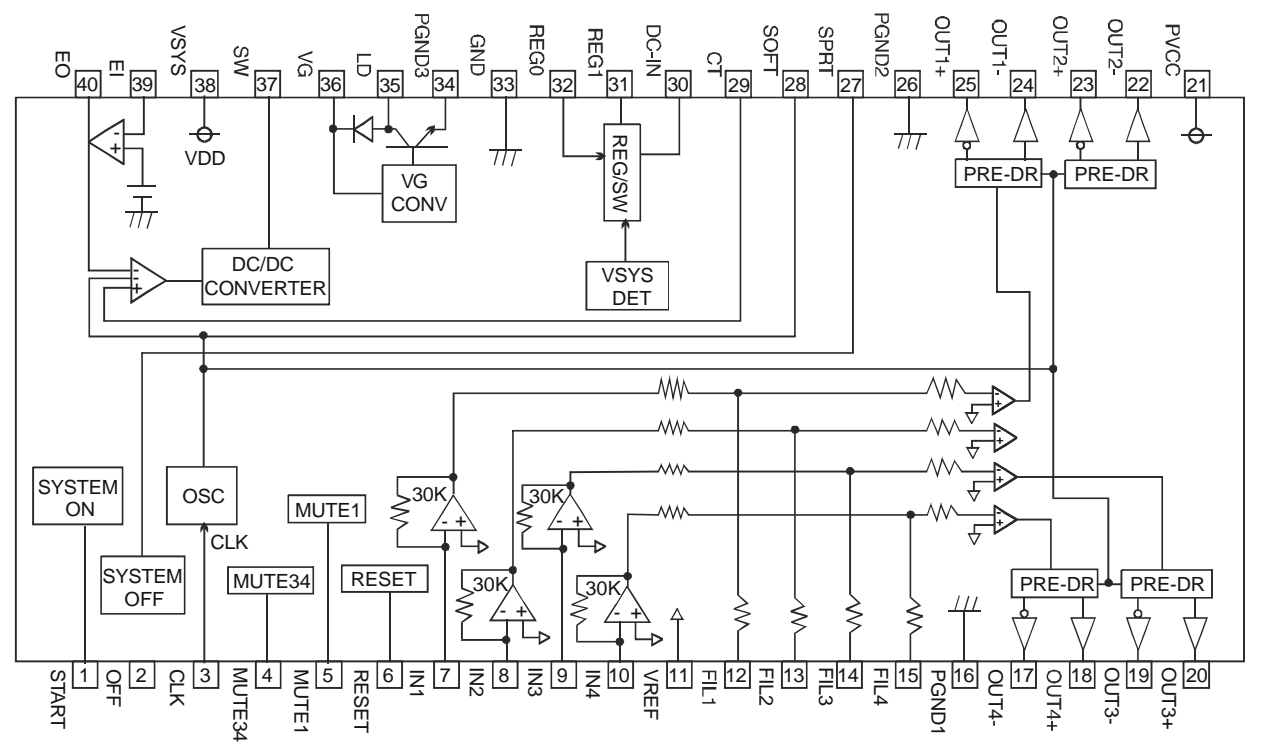
IC801 SPL10A-203A



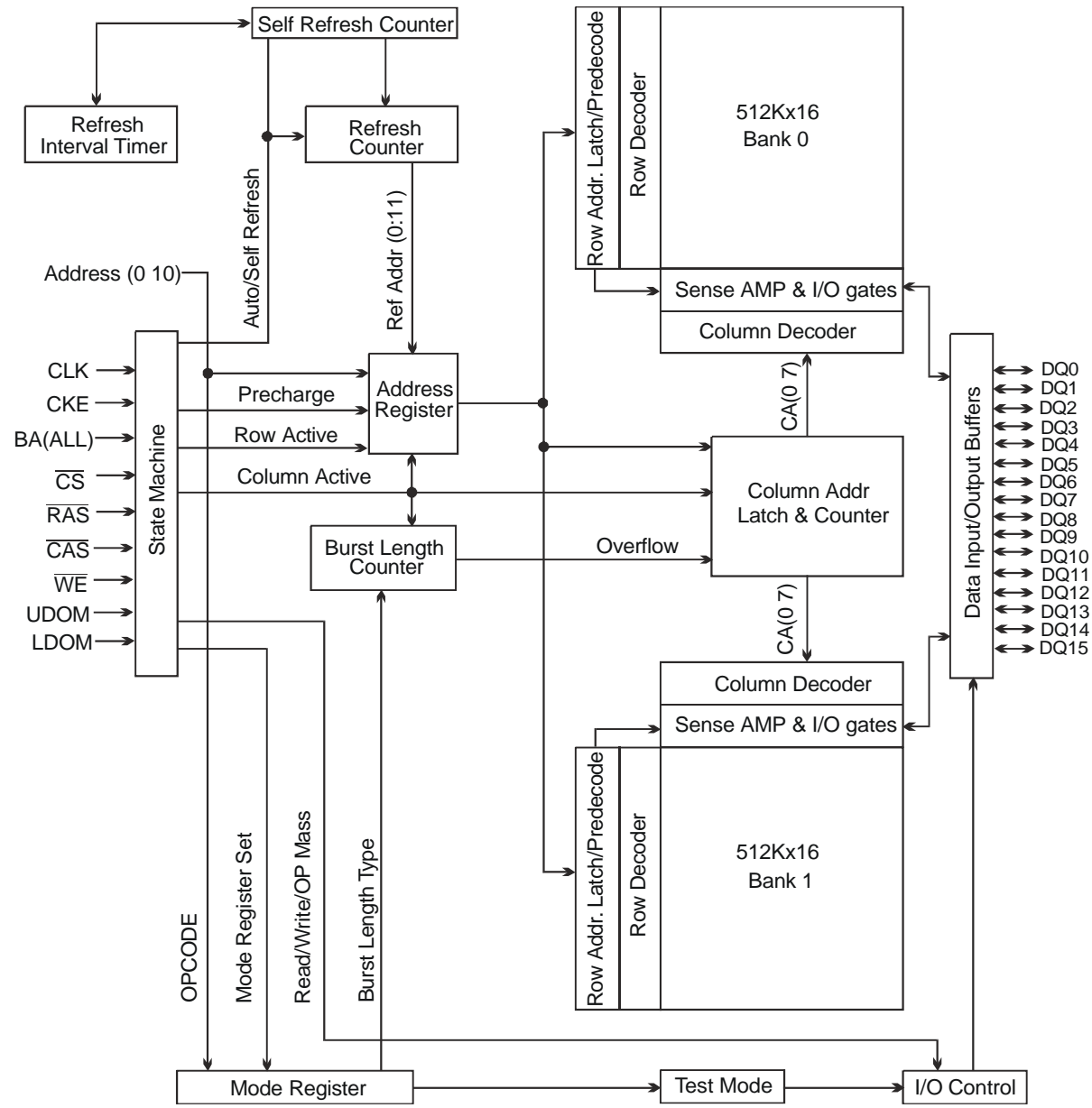
IC301 BH4453F



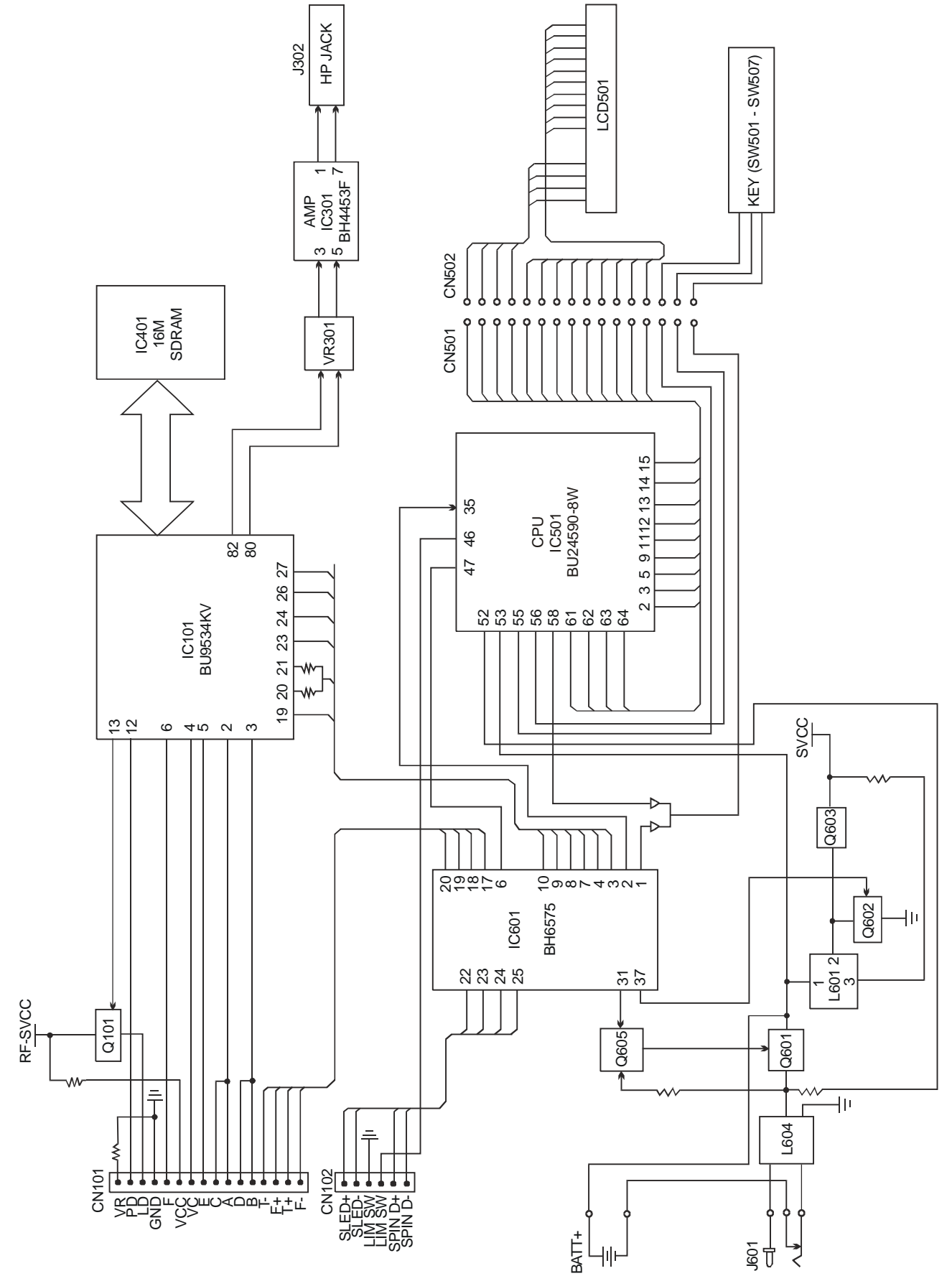
IC601 BH6575FV



IC401 HY57V16160DTC/W981616BH-7



BLOCK DIAGRAM



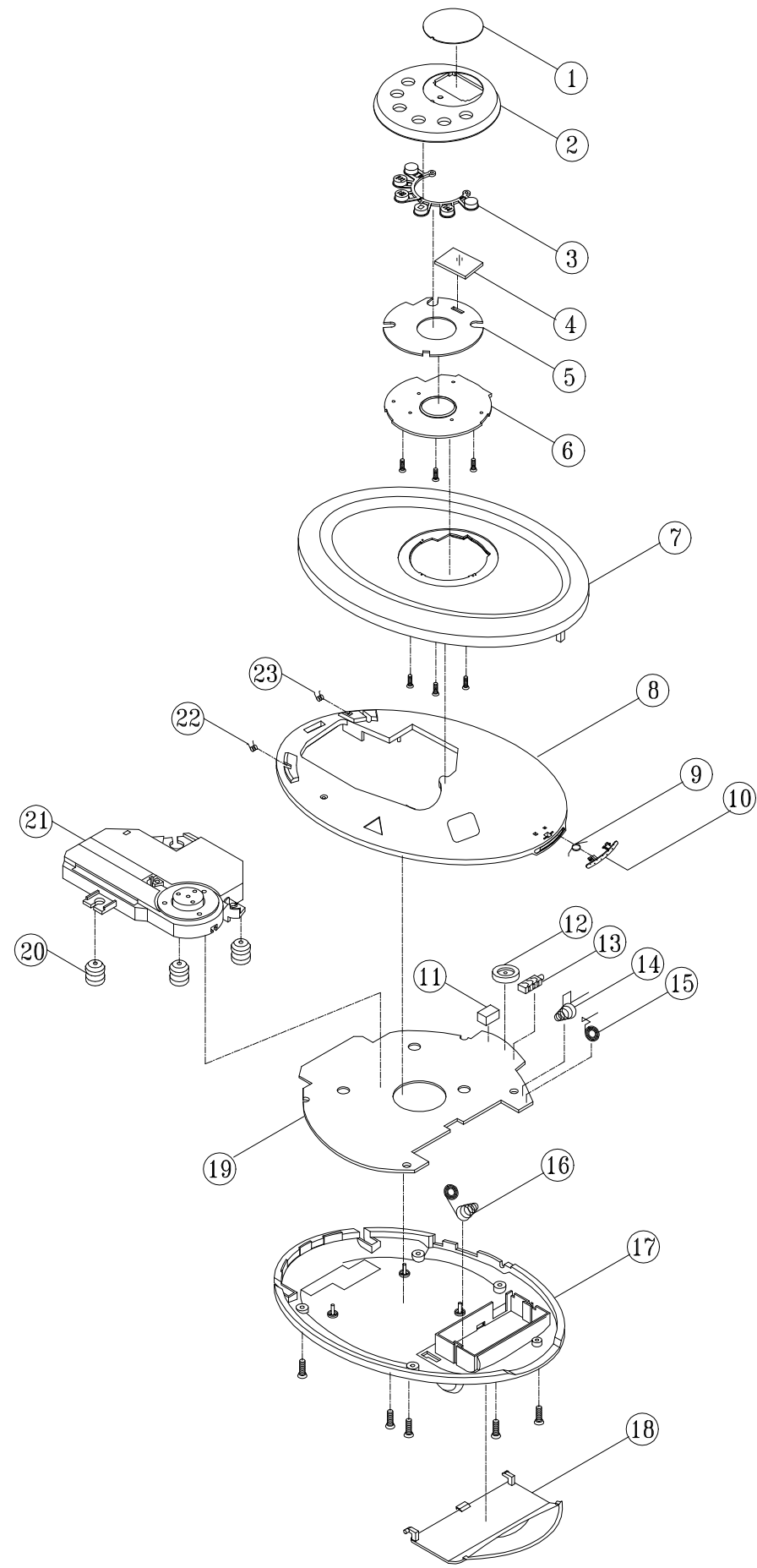
EXPLODED DRAWING PARTS LIST

Ref. No.	Description	Mfr's Part No.	Qty.
REMOTE CONTROL SECTION - (OPTIONAL)			
1	FRONT CABINET, MOLD COLOR (ABS), w/SPY	500-WRC701-xxx	1
2	PLAY/PAUSE/STOP KNOB, MOLD COLOR (ABS) CAV:1, w/SPY	510-WRC703-xxx	1
3	LCD COVER, STAINLESS IRON T=0.3mm	600-WRC714-000	1
4	ZEBRA CONNECTOR 23.6x1.5x1.9mm	100-052301-190	1
5	REMOTE PCB WRC7-01-01	033-00WRC7-100	1
6	HEADPHONE JACK HSJ1715-01-110 (BLACK), TC38-072-01/EJS-3-0935B/EJ-3513(BK)	116-001715-001	1
7	REAR CABINET, MOLD COLOR (ABS) CAV:1	500-WRC702-xxx	1
8	BASS BOOST KNOB, MOLD COLOR (ABS) CAV:1	510-WRC710-xxx	1
9	PLAY MODE/PROG KNOB, MOLD COLOR (ABS) CAV:1	510-WRC709-xxx	2
10	CLIP SPRING, D=0.6 SPRING STEEL WIRE w/NICKEL PLATED	561-MDP123-001	1
11	RC CLIP, MOLD D.GREY(1524A) (POM) CAV:4	500-990917-001	1
12	(F531-MDP124-000) CLIP SPRING PIN, DIA:1.2x8mm, STAINLESS STEEL	700-MDP124-000	1
13	VOLUME KNOB, MOLD COLOR (ABS) CAV:1	510-WRC708-xxx	1
14	LCD HOLDER, MOLD D.GREY(1524A) (ABS) CAV:1	500-WRC713-001	1
15	LCD-P-02D-2315SM000P JT4-02263, 23.5x15.4x1.7mm, TRANSIMISSIVE/POSITIVE	112-002263-000	1
16	SKIP UP/DOWN KNOB, MOLD COLOR (ABS) CAV:1, w/SPY	510-WRC705-xxx	1
17	APD-EI35GS&&350MA/SO 230V:6VDC CE STD PLUG:3.5x8, (35V-D0635/AKAI PD-X4440) (For w/o remote)	133-020635-017	1
18	DISPLAY LENS, MOLD TRANS.CLEAR, CAV:4, w/PNT (PMMA)CAV:4w/PNT(FOR:TDM8761)	500-WRC712-xxx	1
	SCREW 2x6mm PB T.T.S. NI (01 PTP 2x6 NI)	722-020200-060	1
MAIN UNIT			
1	DISPLAY LENS, T=0.5mm TRANS PVC, w/PNT	650-820009-xxx	1
2	CD DOOR COVER, MOLD COLOR (ABS) CAV:2, w/PNT, or w/SPY & PNT	500-820005-xxx	1
3	CD KNOB SET, MOLD COLOR (ABS) CAV:2, w/SPY	510-820006-xxx	1
4	LCD-P-02D-2616SM000P JT4-02006 VOP:3V 26x16x2.8 REF./P SDT-DA065-RP-1/DA408-RP-0	112-002006-001	1
5	CONTROL PCB CDM29R-01-02	033-CDM29R-101	1
6	PCB COVER, MOLD COLOR (ABS) CAV:2, w/SPY	500-820007-xxx	1
7	CD DOOR, MOLD COLOR (SAN) CAV:1, w/SPY & PNT	500-820001-xxx	1
8	MIDDLE CABINET, MOLD COLOR (ABS) CAV:2, w/SPY, (For w/WRC7)	500-820013-XXX	1
9	LOCK SPRING, DIA=0.4mm SUS WIRE	561-876115-000	1
10	DOOR OPEN KNOB, MOLD COLOR (ABS) CAV:4, w/SPY	510-820008-xxx	1
11	DC JACK #TC18-077-01 (TAI CHUNG)/DC-003(LINKTECH), (87-A60-122-019)	J601 120-118077-001	1
12	VOLUME KNOB, MOLD D.GREY 431C, ABS, w/ENGRAVE LOGO	510-820017-000	1
13	HEADPHONE JACK 3.5mm 8 PINS EJS-4-3735	J301 116-083735-000	1
14	BATTERY SPRING (-), DIA:0.7mm SPRING WIER w/NICKEL	561-820016-000	1
15	BATTERY SPRING (+), DIA:0.7mm SPRING WIRE w/NICKEL	561-820015-000	1
16	BATTERY SPRING (+/-), DIA:0.7mm SPRING WIRE w/NICKEL	535-890319-000	1
17	BOTTOM CABINET, MOLD COLOR (ABS) CAV:2, w/SPY,	500-820014-xxx	1
18	BATTERY DOOR, MOLD COLOR (ABS) CAV:4, w/SPY	500-820004-xxx	1
19	MAIN PCB CDM29W-01-01	033-CDM29W-100	1
20	DECK CUSHION, LB50 RUBBER	700-830020-000	3
21	CD&-PTB-01-SAMG-N CD MECHANISM CMS-M99DG6 SAMSUNG	153-000996-000	1
22	CD DOOR SPRING (L), DIA:0.6mm w/PLATING NICKEL	561-820011-000	1
23	CD DOOR SPRING (R), DIA:0.6mm w/PLATING NICKEL	561-820012-000	1
	SCREW 1.7x3mm FLAT HEAD (B TYPE) (1.7x3IPBHF)	720-220170-300	6

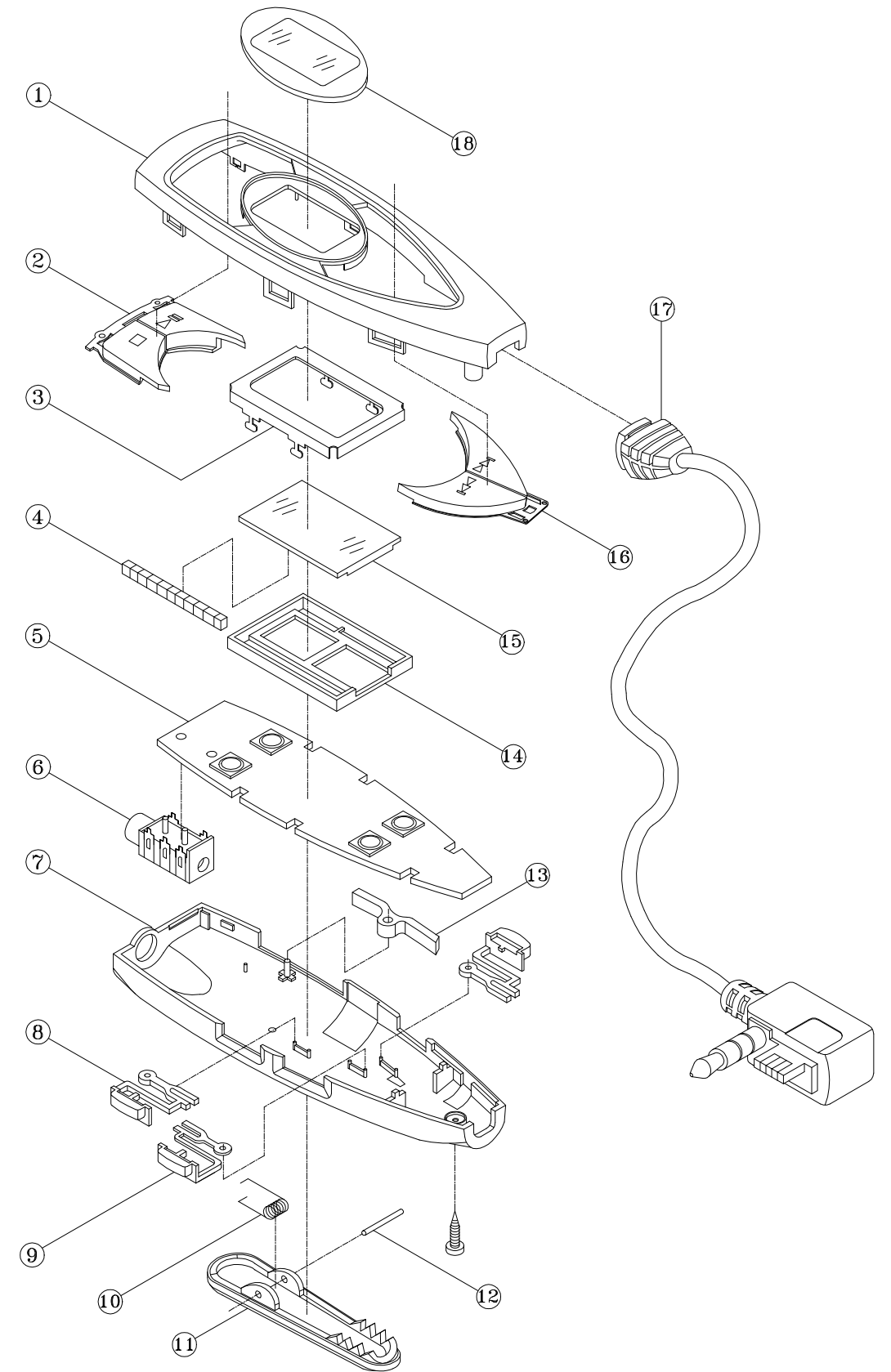
EXPLODED DRAWING PARTS LIST - CONTINUED

Ref. No.	Description	Mfr's Part No.	Qty.
	PROTECTION SHEET, 109.4x100.4mm, TRANS CLEAR STATIC ELECTRONIC LBL w/ADH (REMOTE)	700-8200A6-000	1
	SCREW 2x8mm PB T.T.S. w/CHROMATE PLATING, (PTTP2x8MC)	722-020200-082	5
	PVC WASHER DIA:4.2x8.0x0.3mm TRANS. PVC	532-504208-031	1
	BATTERY CHARGE PLATE, 0.2mm THK PHOSPHOR BRONZE (For w/o remote)	650-870121-000	1
	CONTACT PLATE METAL DOME, 6.0mm, 0.06 THK LEG=0.5mm	650-880116-001	6
	RUBBER FOAM, 28x4x2mm UNIT"PC"	700-880117-000	0.18

MAIN UNIT



EXPLODED DRAWINGS
REMOTE CONTROL



NOTES:

FEBRUARY, 2004