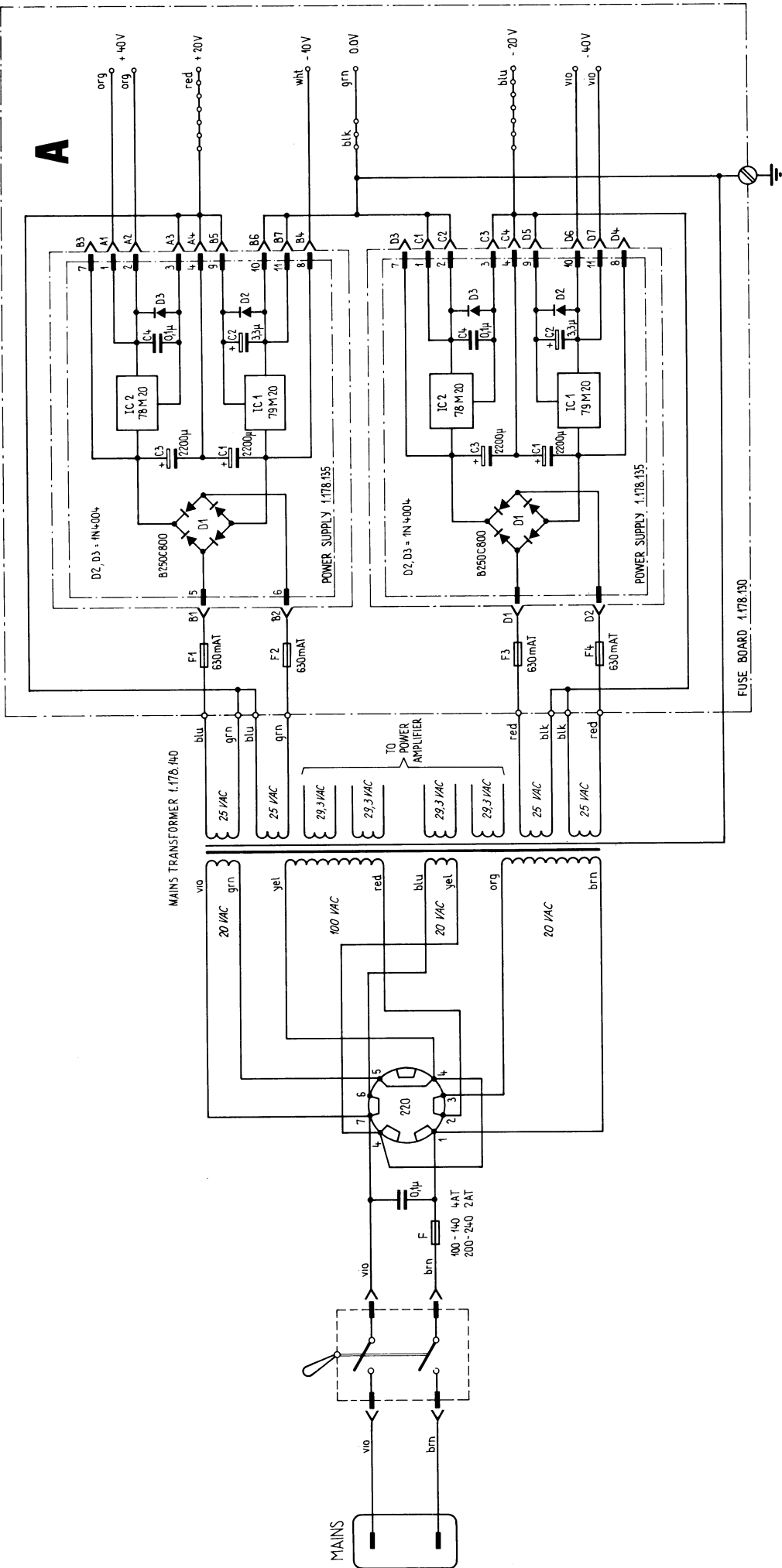


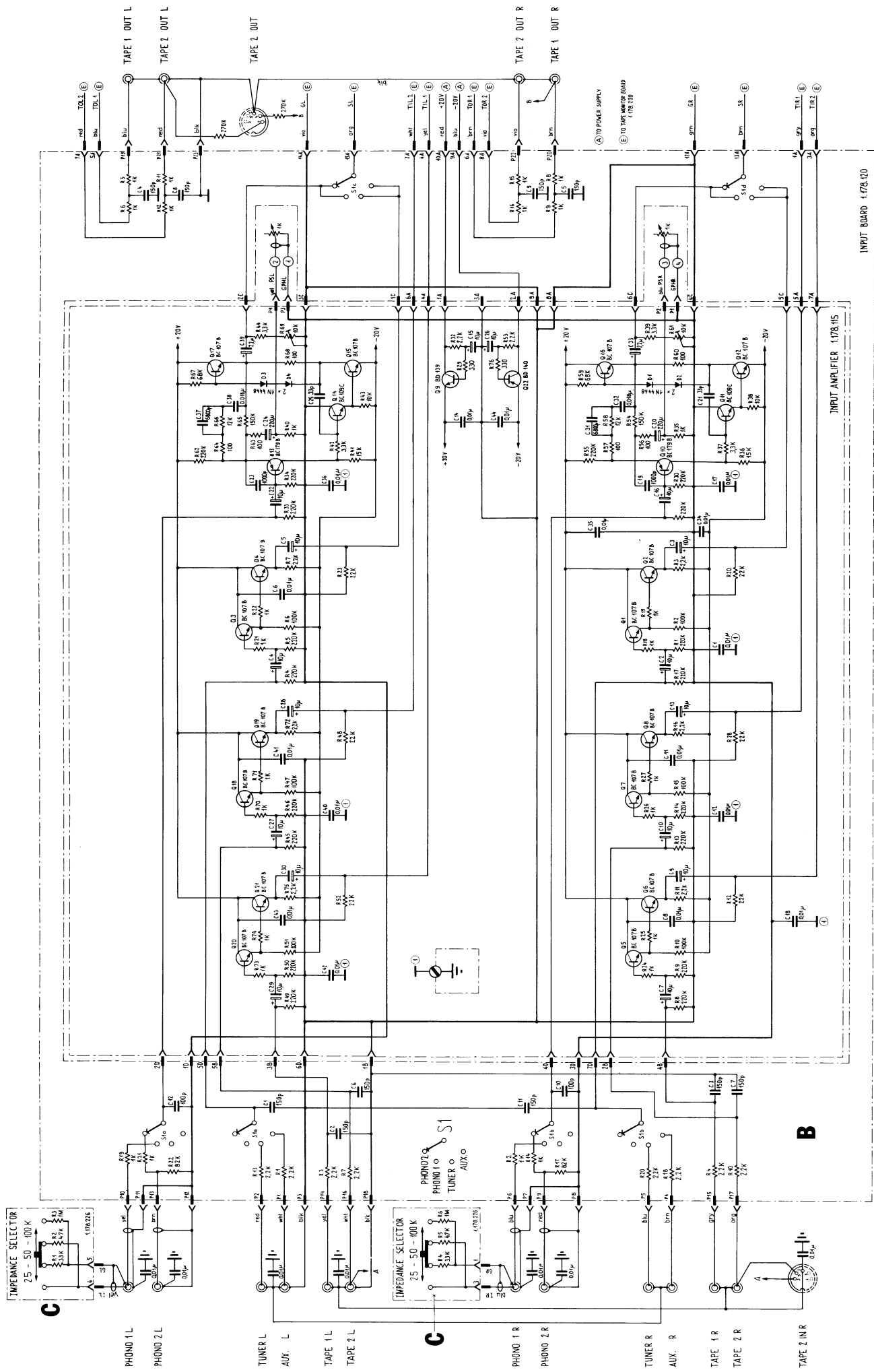
**STUDER REVOX**

**B 750**

---

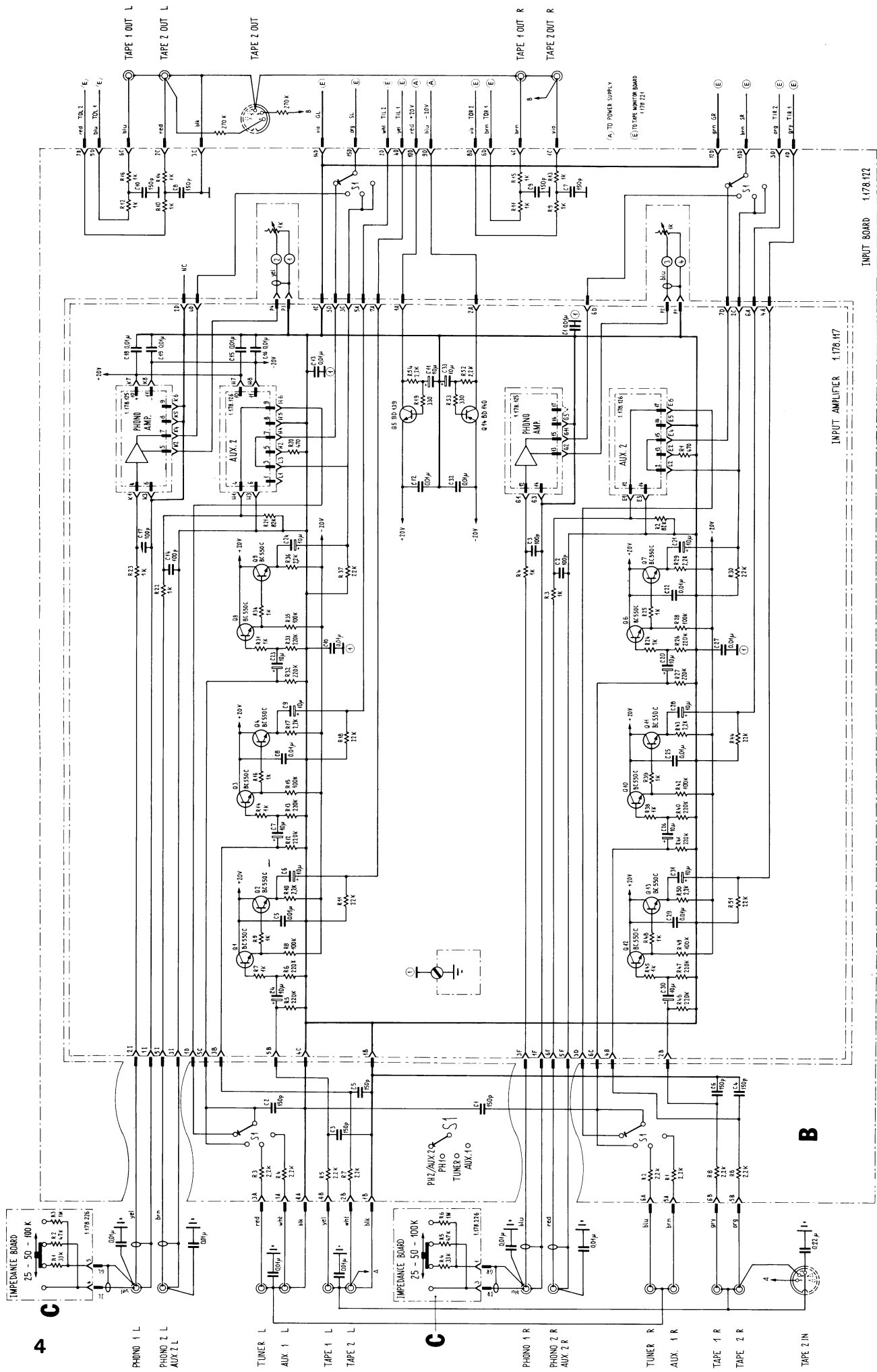
**SET OF SCHEMATICS  
SCHALTUNGSSAMMLUNG  
RECUEIL DE SCHEMAS**

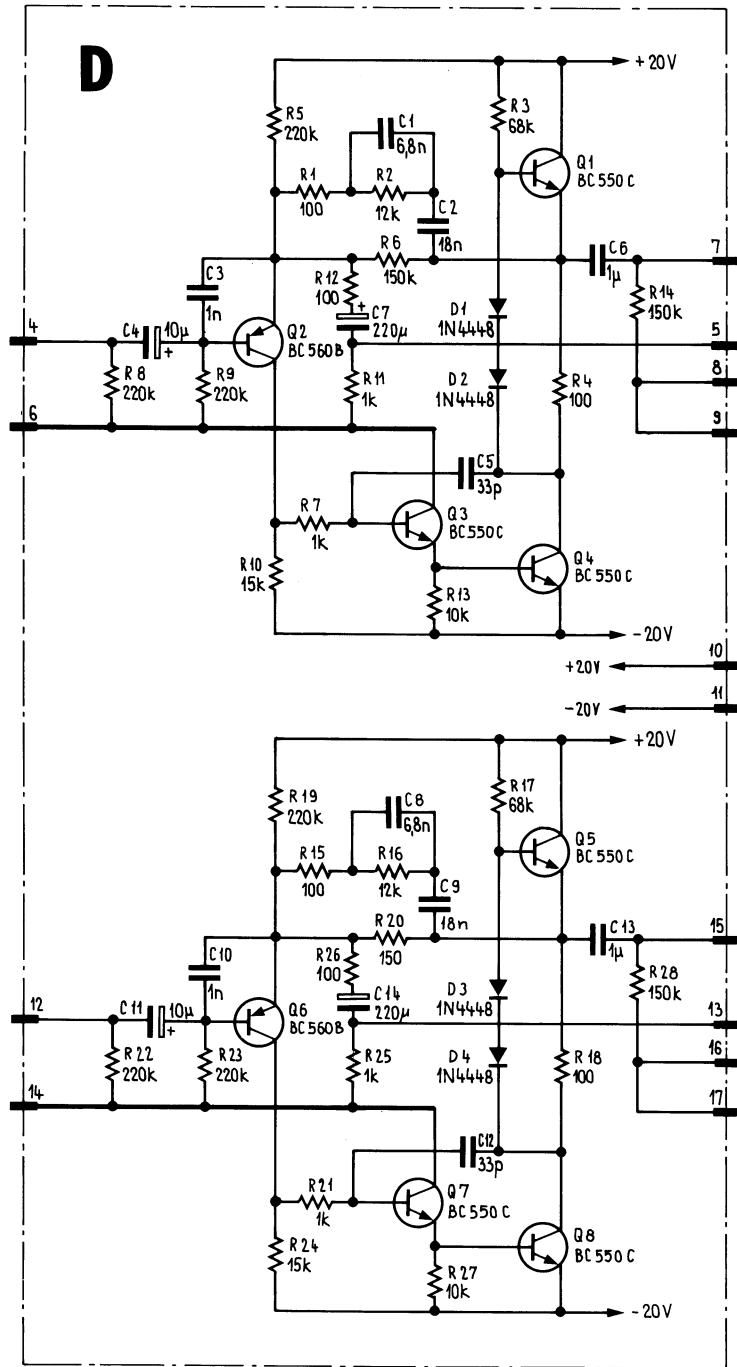


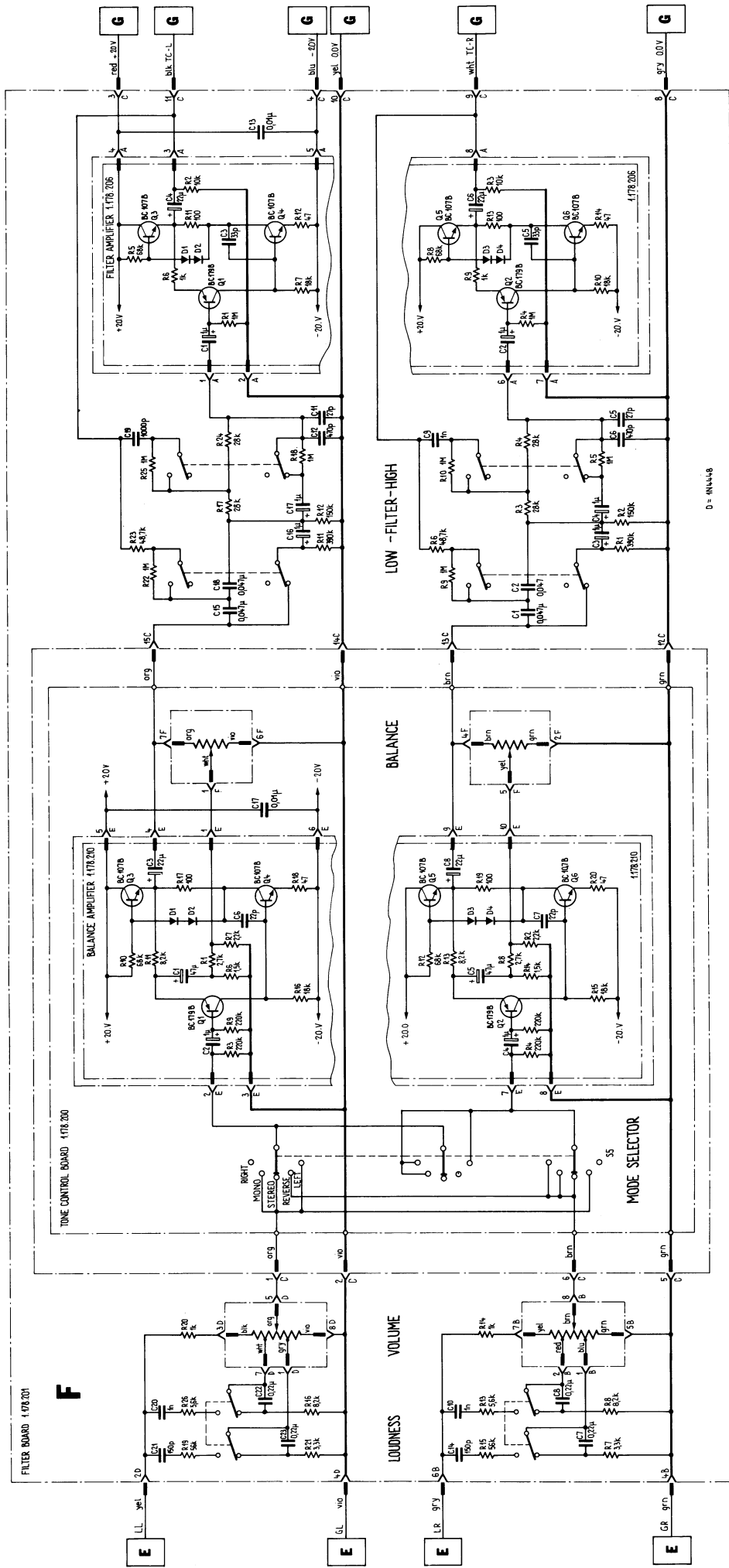


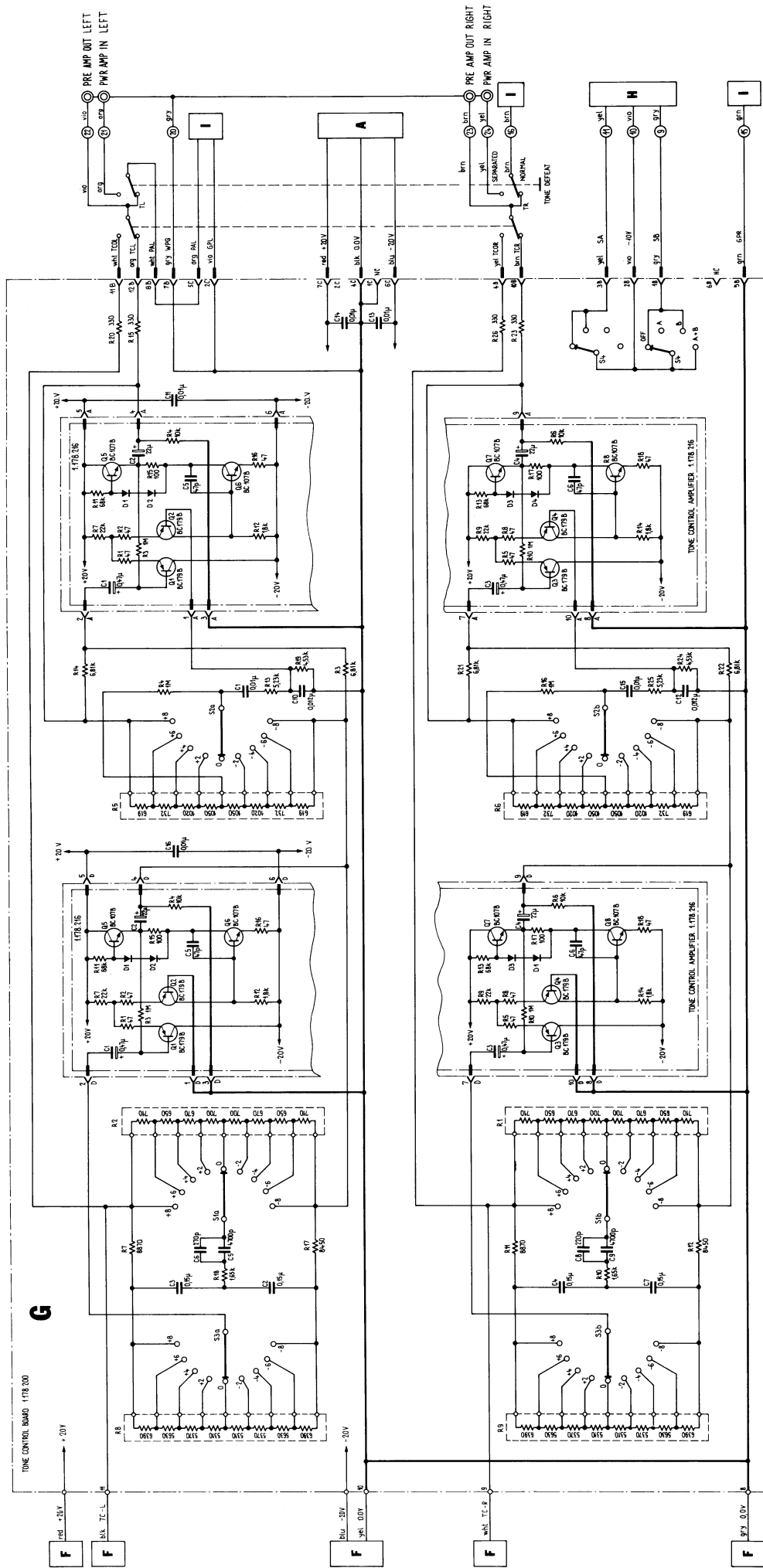
INPUT BOARD 1178.100

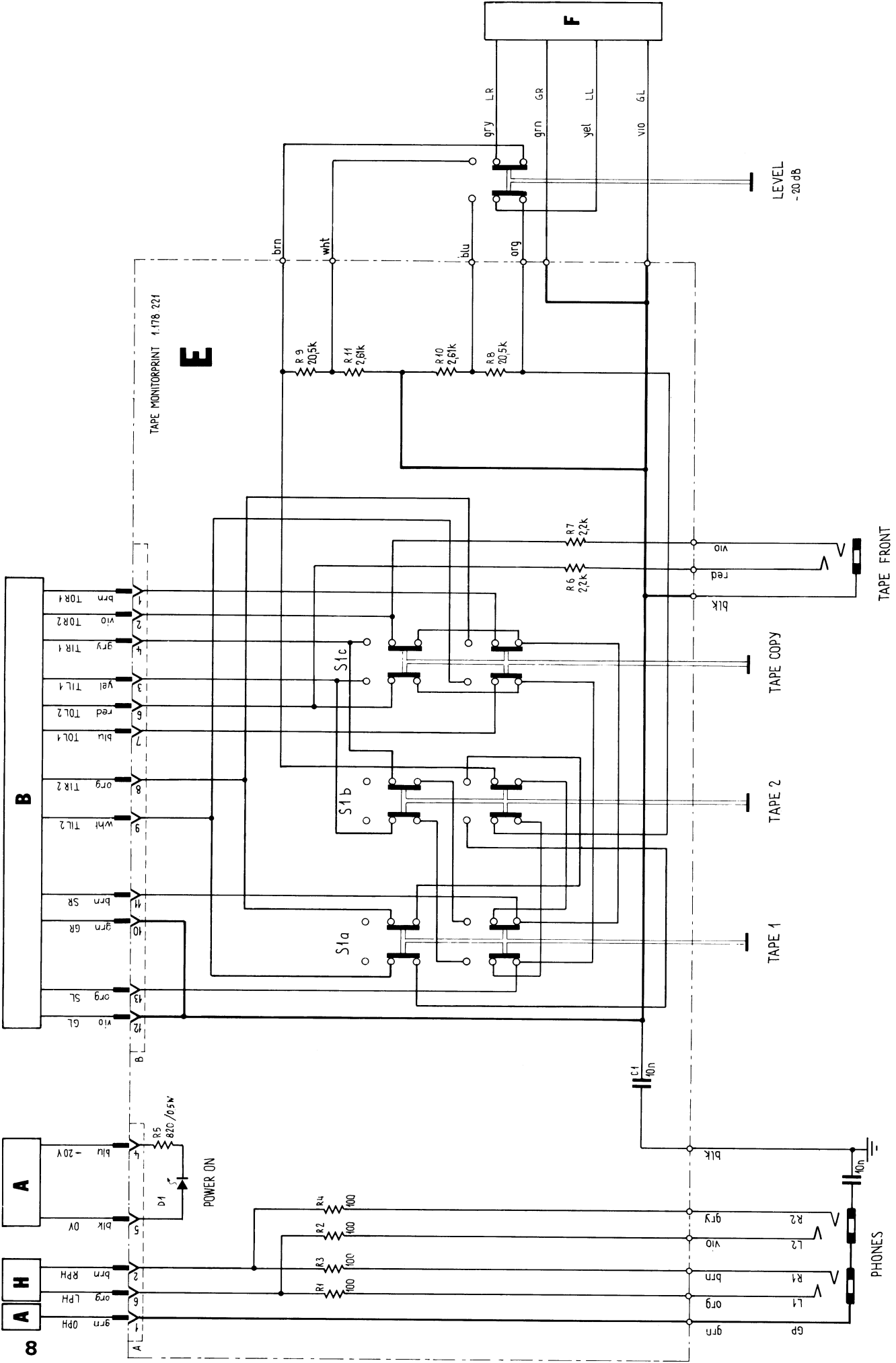
INPUT AMPLIFIER 1178.115



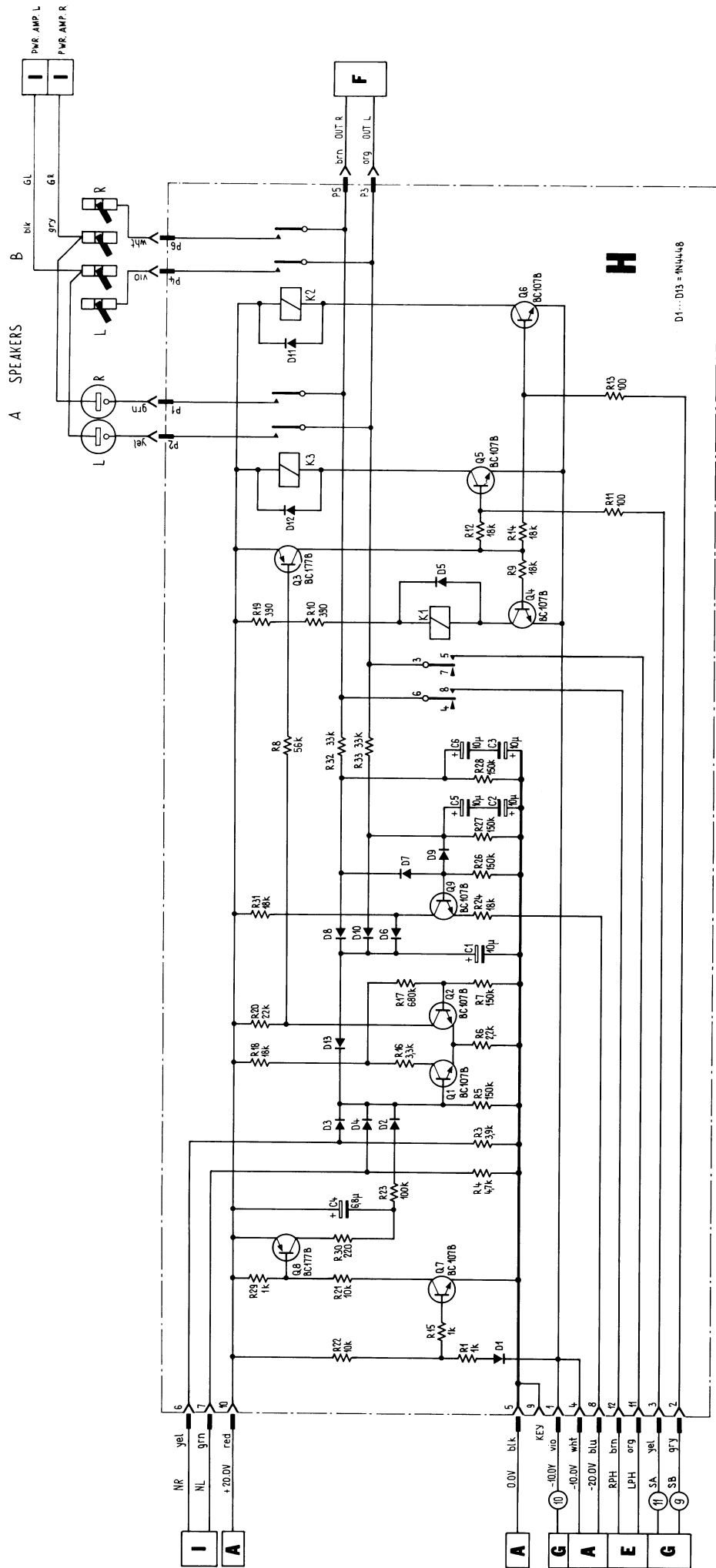














## DIAGRAMS LIST

		PAGE
<b>A</b>	<b>POWER SUPPLY UNIT</b>	
	POWER SUPPLY	1.178.135
	FUSE BOARD	1.178.130
	MAINS TRANSFORMER	1.178.140
<b>B</b>	<b>INPUT UNIT ED 1</b>	
	INPUT AMPLIFIER	1.178.115
	INPUT BOARD	1.178.120
	<b>INPUT UNIT ED 2</b>	
	INPUT AMPLIFIER	1.178.117
	INPUT BOARD	1.178.122
<b>C</b>	<b>IMPEDANCE BOARD</b>	1.178.226
<b>D</b>	<b>PHONO AMPLIFIER</b>	1.178.125
<b>E</b>	<b>TAPE MONITOR BOARD</b>	1.178.221
<b>F</b>	<b>FILTER AND BALANCE AMPLIFIER UNIT</b>	
	FILTER BOARD	1.178.201
	FILTER AMPLIFIER	1.178.206
	BALANCE AMPLIFIER	1.178.210
	TONE CONTROL BOARD	1.178.200
<b>G</b>	<b>TONE CONTROL UNIT</b>	
	TONE CONTROL BOARD	1.178.200
	TONE CONTROL AMPLIFIER	1.178.216
<b>H</b>	<b>PROTECTION CIRCUIT</b>	1.178.110
<b>I</b>	<b>POWER AMPLIFIER</b>	1.178.105
	<b>B 750 BLOCK DIAGRAM</b>	12

## MOLEX CONNECTORS

1	GPHL	
2	PSL	yel
3	PSR	blu
4	GPHR	
9	SB	gry
10	SP	vio
11	SA	yel
14	QVPAR	blk
15	GPR	grn
16	PAR	brn
20	VPG	gry
21	PL	org
22	VL	vio
23	VR	brn
24	PR	yel

