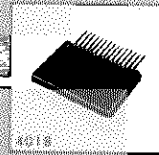


STK 3042II, 3062II, 3082II

thick film hybrid IC

VOLTAGE AMP. FOR 40 to 90W
AF POWER AMP.



Use

- STK 3042II: A voltage amplifier for 40 to 50W AF power amplifier.
- STK 3062II: A voltage amplifier for 60 to 70W AF power amplifier.
- STK 3082II: A voltage amplifier for 80 to 90W AF power amplifier.

MAXIMUM RATING / $T_a=25^\circ\text{C}$

| | | STK 3042II | STK 3062II | STK 3082II | unit |
|-----------------------------|--------------|---------------|---------------|---------------|------------------|
| Maximum Supply Voltage | V_{CC} max | ± 55 | ± 59 | ± 65 | V |
| Allowable Power Dissipation | P_d max | → | → | 4 | W |
| Operating Case Temperature | T_C | → | → | 100 | $^\circ\text{C}$ |
| Storage Temperature | T_{stg} | → | → | -30to+100 | $^\circ\text{C}$ |

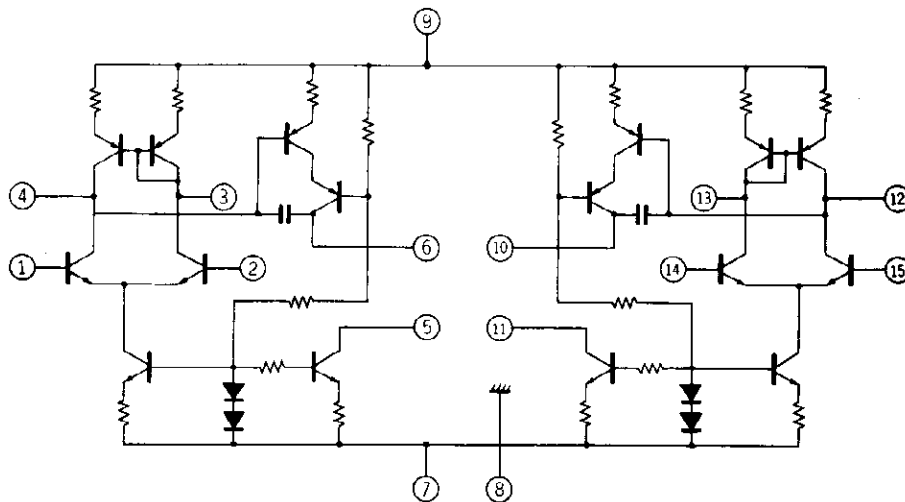
RECOMMENDED OPERATION CONDITION / $T_a=25^\circ\text{C}$

| | | STK 3042II | STK 3062II | STK 3082II | unit |
|----------------------------|----------|---------------|---------------|---------------|------|
| Recommended Supply Voltage | V_{CC} | ± 43 | ± 48 | ± 56 | V |
| Load Resistance | R_L | → | → | 33k | ohm |

OPERATION CHARACTERISTICS / $T_a=25^\circ\text{C}$, $V_G=26.5\text{dB}$, $R_L=22\text{k ohm}$

| | | STK 3042II | STK 3062II | STK 3082II | unit |
|---------------------------|----------|---------------|---------------|---------------|--------|
| Current Dissipation | I_{CC} | 30 | 35 | 35 | mA max |
| Output Center Voltage | V_N | → | → | -50to+50 | mV |
| Output Noise Voltage | V_{NO} | → | → | 1.0 | mV max |
| Input Resistance | r_i | → | → | 33k | ohm |
| Total Harmonic Distortion | THD | → | → | 0.01 | % max |

EQUIVALENT CIRCUIT



STK 3042II, 3062II, 3082II