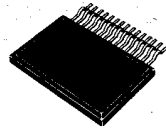


# STK3082III



4053A

Thick Film Hybrid IC

## 2-Channel Voltage Amplifier for 80 to 90W AF Power Amplifier (Dual Supplies)

©1534A

### Features

- . The AC amp circuit configuration eliminates the need to use an external midpoint adjust circuit.
- . External parts provide more flexibility in phase compensation.
- . Low distortion (0.005%) due to built-in current mirror circuit.

### Maximum Ratings at Ta=25°C

|                            |                    |             | unit |
|----------------------------|--------------------|-------------|------|
| Maximum Supply Voltage     | V <sub>CCmax</sub> | ±65         | V    |
| Operating Case Temperature | T <sub>C</sub>     | 115         | °C   |
| Storage Temperature        | T <sub>stg</sub>   | -30 to +115 | °C   |

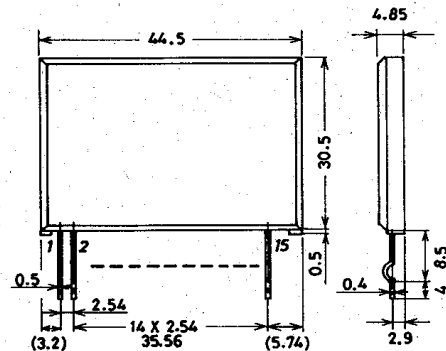
### Operating Characteristics at Ta=25°C, VG=40dB, Seq Test Circuit.

|                           |                 |   | min | typ | max   | unit |
|---------------------------|-----------------|---|-----|-----|-------|------|
| Current Dissipation       | I <sub>CC</sub> | V <sub>CC</sub> =±56V                                 |     | 20  | 30    | mA   |
| Midpoint Voltage          | V <sub>N</sub>  | V <sub>CC</sub> =±56V                                 | -50 |     | +50   | mV   |
| Output Noise Voltage      | V <sub>NO</sub> | V <sub>CC</sub> =±56V, R <sub>g</sub> =10kohms        |     |     | 1.0   | mV   |
| Input Resistance          | r <sub>i</sub>  | V <sub>CC</sub> =±56V, f=1kHz, V <sub>o</sub> =2.83V  |     | 92  |       | kohm |
| Total Harmonic Distortion | THD             | V <sub>CC</sub> =±47V, f=20kHz, V <sub>o</sub> =25.3V |     |     | 0.005 | %    |

### Remarks

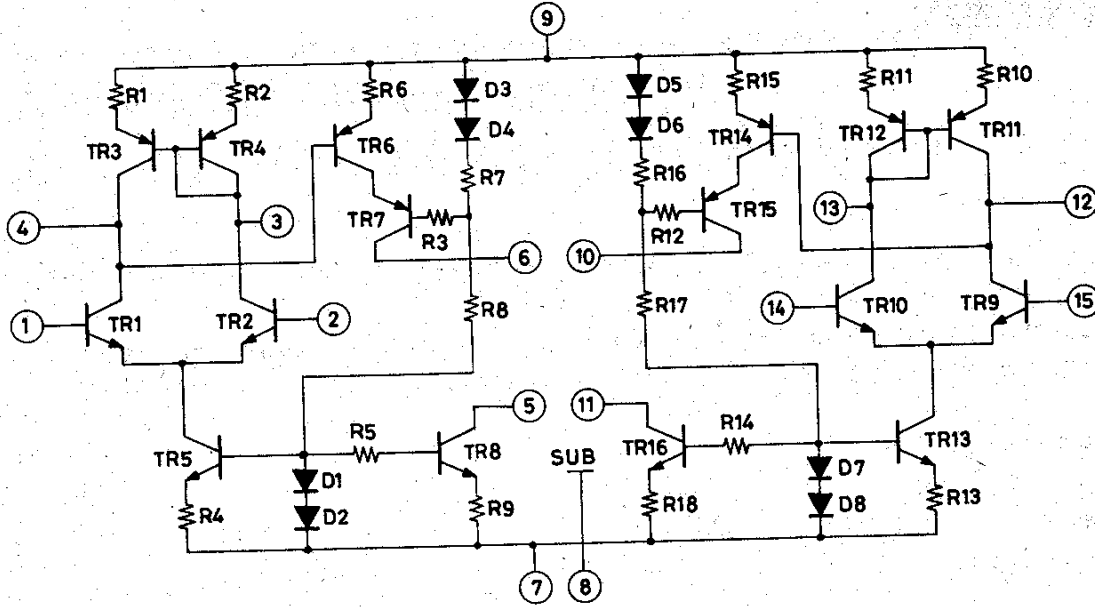
- . When testing, use a regulated power supply unless otherwise specified.

### Case Outline 4053A (unit:mm)



# STK3082 III

## Equivalent Circuit



## Test Circuit

