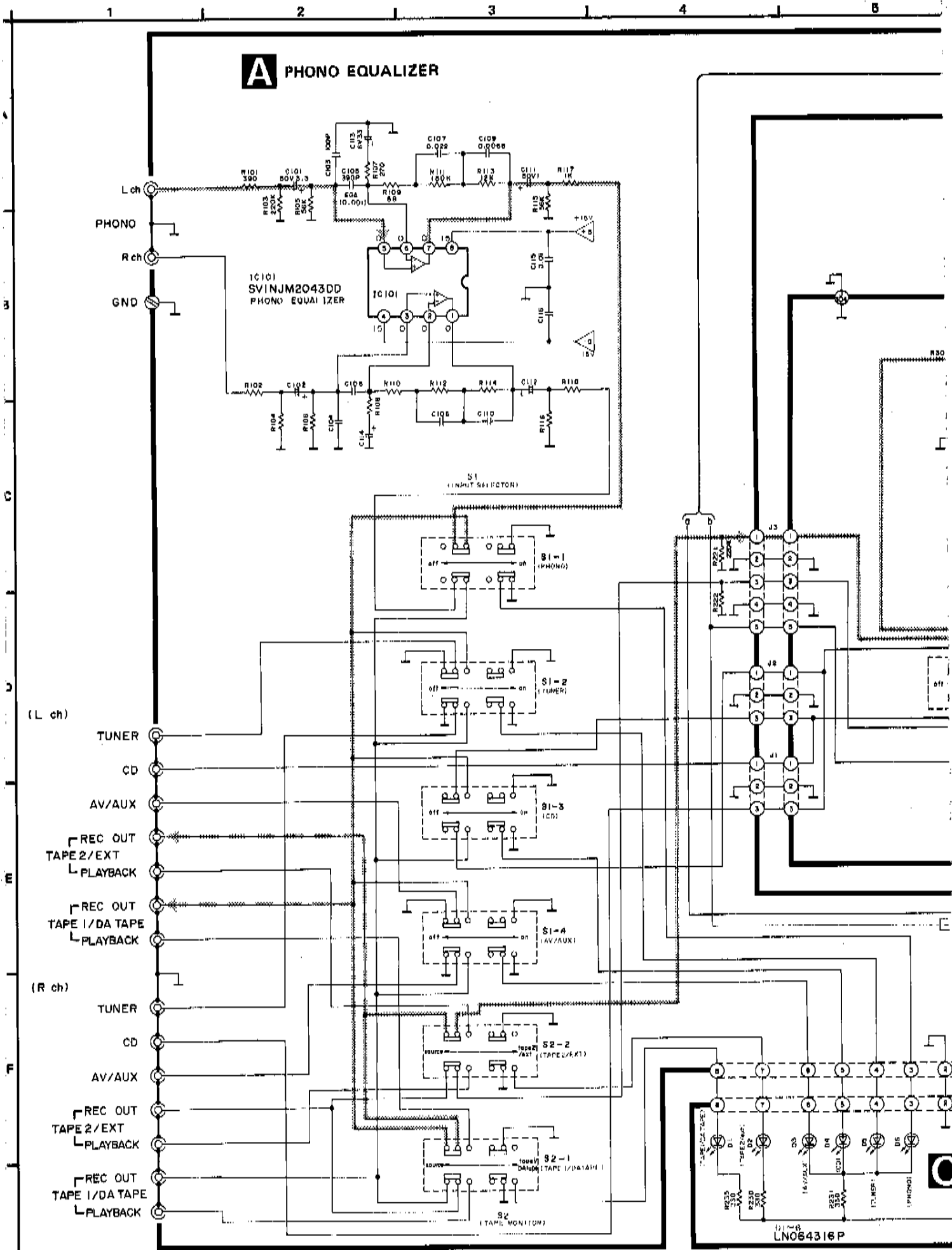
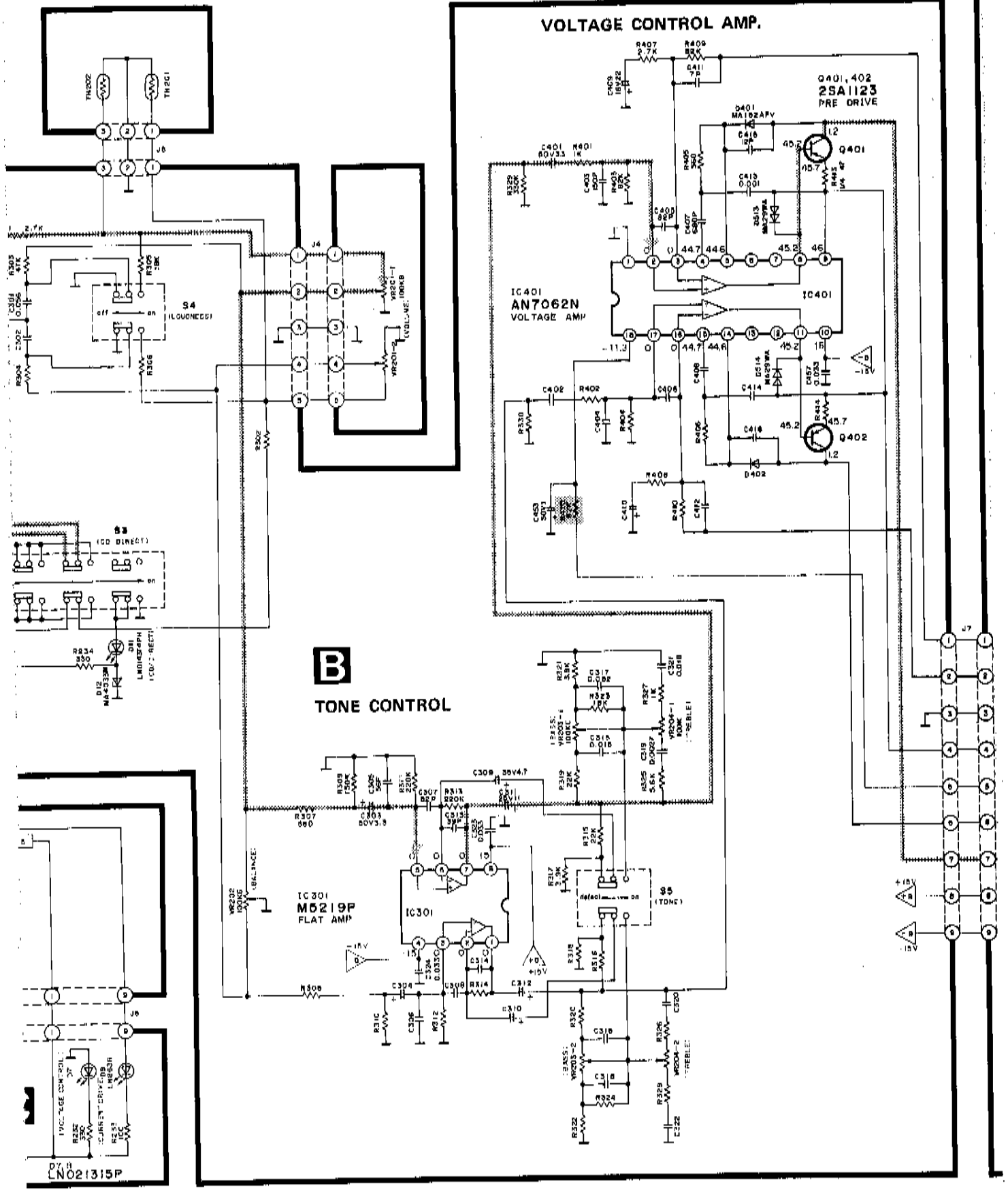


# A PHONO EQUALIZER





POWER AMP./  
CURRENT  
DRIVE AMP.

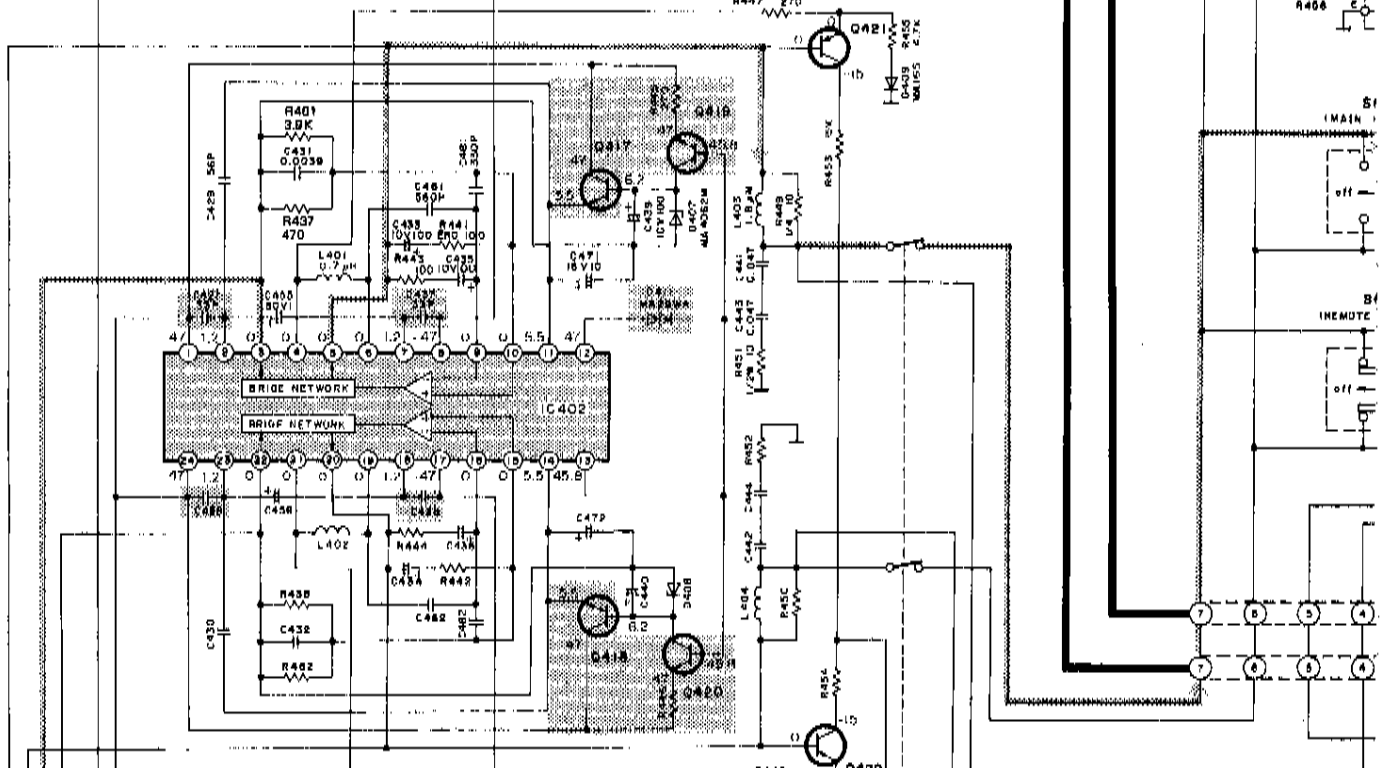
IC402  
SV14003  
POWER AMP

Q417, 418  
2SC2631  
CURRENT  
STABILIZER

Q419, 420  
2SA1123  
CURRENT  
STABILIZER

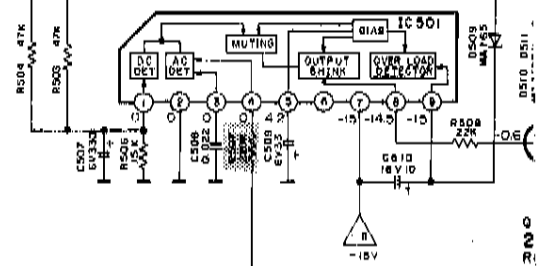
Q421, 422  
2SA992  
OVN R LOAD DET.

D



MUTING/PROTECTION

IC501  
AN7073  
PROTECTION



Q405, 406  
2SC3311A  
LIMITER

Q407, 408  
2SA1309A  
LIMITER

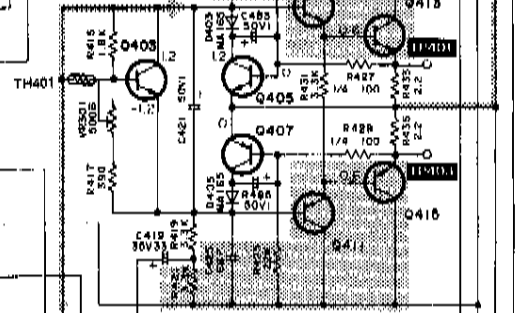
Q409, 410  
2SC2631  
A CLASS AMP

Q411, 412  
2SA1123  
A CLASS AMP

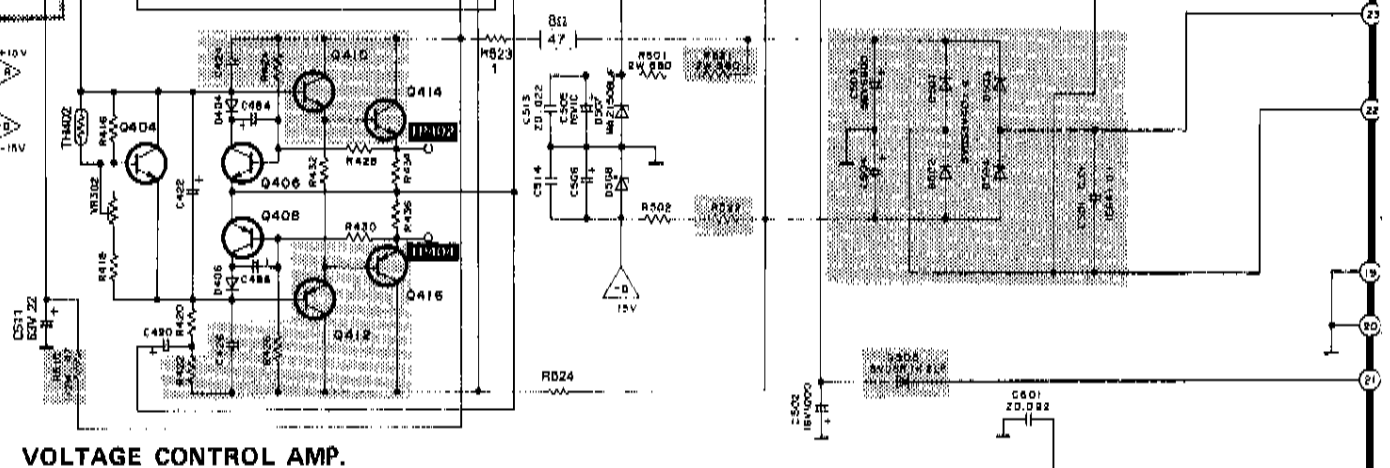
Q413, 414  
2SC3298  
A CLASS AMP

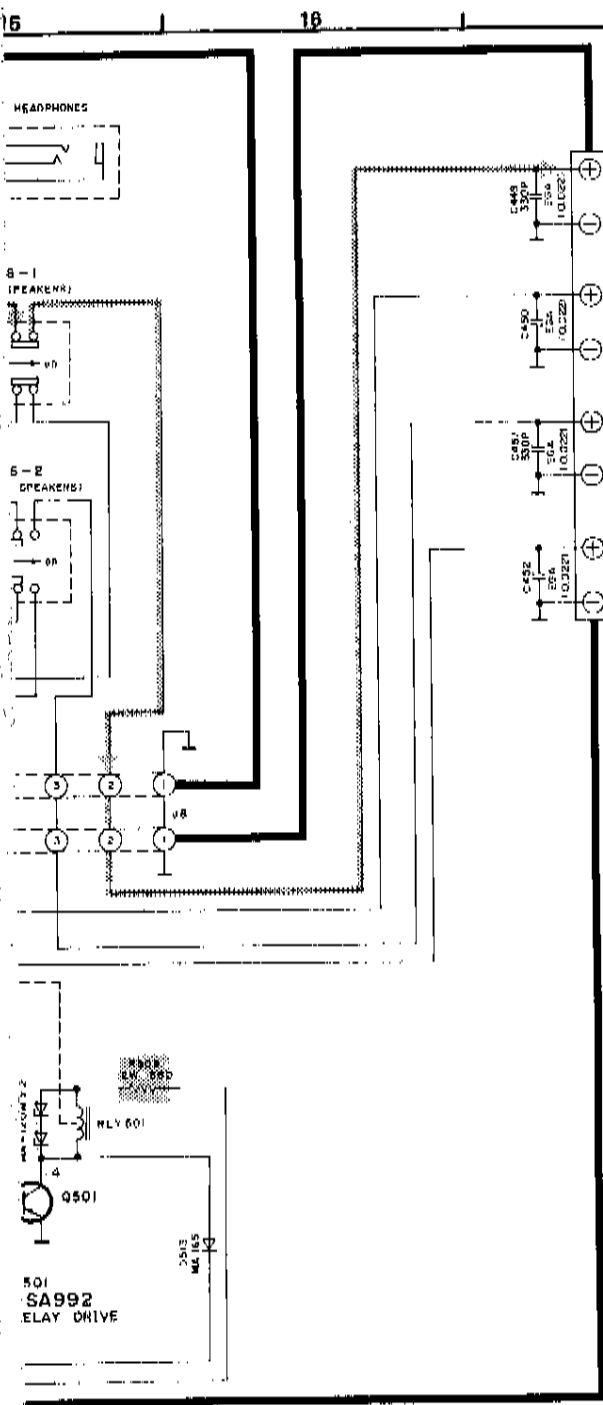
Q415, 416  
2SA1306  
A CLASS AMP

Q403, 404  
2SC1685  
ICG ADJ.

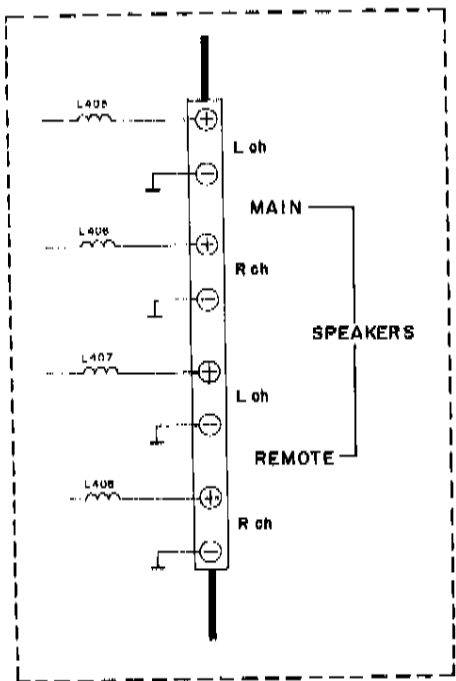


VOLTAGE CONTROL AMP.





• Speaker terminal For F.R. Germany [EGA]



----- Phono signal (Lch)  
 - - - - - Positive voltage lines or Negative voltage lines.

**IMPORTANT SAFETY NOTICE**

The shaded area on this schematic diagram incorporates special features important for protection from fire and electrical shock hazards. When servicing it is essential that only manufacturer's specified parts be used for the critical components in the shaded areas of the schematic.

This power source circuit is intended for the USA [M] and Canada [MC]. For Europe and other areas, see page 14.

