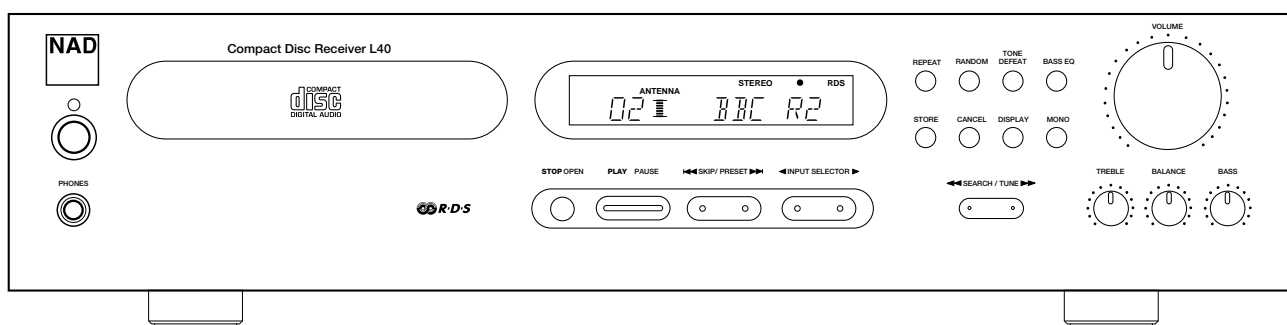


NAD L40



©1998. NAD ELECTRONICS LTD. L40

GB

• **OWNER'S MANUAL**

F

• **MANUEL D'INSTALLATION**

D

• **BEDIENUNGSANLEITUNG**

E

• **MANUAL DEL USUARIO**

I

• **MANUALE DELLE ISTRUZIONI**

S

• **BRUKSANVISNING**

P

• **MANUAL DO PROPRIETÁRIO**

IMPORTANT SAFETY INSTRUCTIONS



CAUTION
RISK OF ELECTRIC SHOCK DO NOT OPEN

ATTENTION:
RISQUE DE CHOC ELECTRIQUE NE PAS OUVRIR



CAUTION: TO REDUCE THE RISK OF ELECTRIC SHOCK, DO NOT REMOVE COVER (OR BACK). NO USER SERVICEABLE PARTS INSIDE. REFER SERVICING TO QUALIFIED SERVICE PERSONNEL

Warning: To reduce the risk of fire or electric shock, do not expose this unit to rain or moisture.



The lightning flash with an arrowhead symbol within an equilateral triangle is intended to alert the user to the presence of uninsulated "dangerous voltage" within the product's enclosure that may be of sufficient magnitude to constitute a risk of electric shock to persons.



The exclamation point within an equilateral triangle is intended to alert the user to the presence of important operating and maintenance (servicing) instructions in the literature accompanying the product.



Do not place this unit on an unstable cart, stand or tripod, bracket or table. The unit may fall, causing serious injury to a child or adult and serious damage to the unit. Use only with a cart, stand, tripod, bracket or table recommended by the manufacturer or sold with the unit. Any mounting of the device on a wall or ceiling should follow the manufacturer's instructions and should use a mounting accessory recommended by the manufacturer.

An appliance and cart combination should be moved with care. Quick stops, excessive force and uneven surfaces may cause the appliance and cart combination to overturn.

Read and follow all the safety and operating instructions before connecting or using this unit. Retain this notice and the owner's manual for future reference.

All warnings on the unit and in its operating instructions should be adhered to.

Do not use this unit near water; for example, near a bath tub, washbowl, kitchen sink, laundry tub, in a wet basement or near a swimming pool.

The unit should be installed so that its location or position does not interfere with its proper ventilation. For example, it should not be situated on a bed, sofa, rug or similar surface that may block the ventilation openings; or placed in a built-in installation, such as a bookcase or cabinet, that may impede the flow of air through its ventilation openings.

The unit should be situated from heat sources such as radiators, heat registers, stoves or other devices (including amplifiers) that produce heat.

The unit should be connected to a power supply outlet only of the voltage and frequency marked on its rear panel.

The power supply cord should be routed so that it is not likely to be walked on or pinched, especially near the plug, convenience receptacles, or where the cord exits from the unit.

Unplug the unit from the wall outlet before cleaning. Never use benzene, thinner or other solvents for cleaning. Use only a soft damp cloth.

The power supply cord of the unit should be unplugged from the wall outlet when it is to be unused for a long period of time.

Care should be taken so that objects do not fall, and liquids are not spilled into the enclosure through any openings.

This unit should be serviced by qualified service personnel when:

- A. The power cord or the plug has been damaged; or
- B. Objects have fallen, or liquid has been spilled into the unit; or
- C. The unit has been exposed to rain or liquids of any kind; or
- D. The unit does not appear to operate normally or exhibits a marked change in performance; or
- E. The device has been dropped or the enclosure damaged.

DO NOT ATTEMPT SERVICING OF THIS UNIT YOURSELF. REFER SERVICING TO QUALIFIED SERVICE PERSONNEL.

Upon completion of any servicing or repairs, request the service shop's assurance that only Factory Authorized Replacement Parts with the same characteristics as the original parts have been used, and that the routine safety checks have been performed to guarantee that the equipment is in safe operating condition.

REPLACEMENT WITH UNAUTHORIZED PARTS MAY RESULT IN FIRE, ELECTRIC SHOCK OR OTHER HAZARDS.

ATTENTION

POUR ÉVITER LES CHOC ELECTRIQUES, INTRODUIRE LA LAME LA PLUS LARGE DE LA FICHE DANS LA BORNE CORRESPONDANTE DE LA PRISE ET POUSSER JUSQU'AU FOND.

CAUTION

TO PREVENT ELECTRIC SHOCK MATCH WIDE BLADE OF PLUG TO WIDE SLOT FULLY INSERT.

If an indoor antenna is used (either built into the set or installed separately), never allow any part of the antenna to touch the metal parts of other electrical appliances such as a lamp, TV set etc.

CAUTION POWER LINES

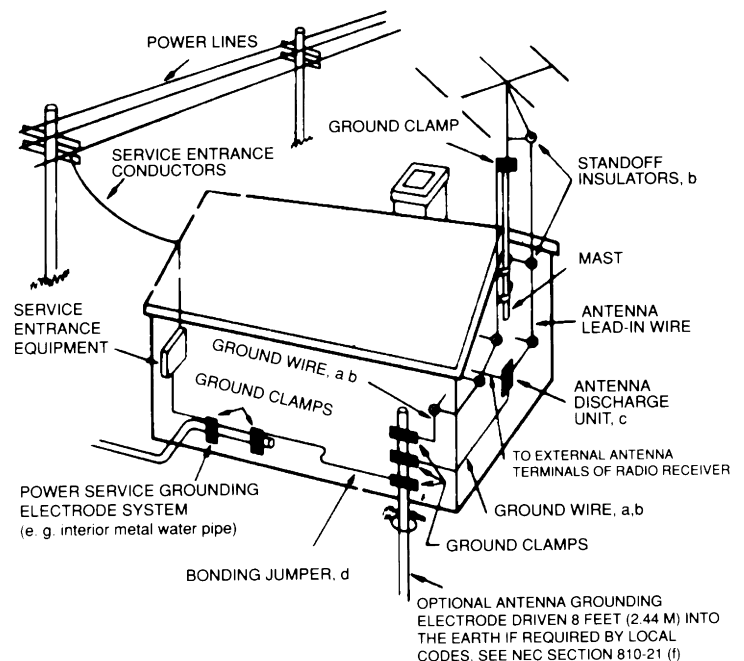
Any outdoor antenna must be located away from all power lines.

OUTDOOR ANTENNA GROUNDING

If an outside antenna is connected to your tuner or tuner-preamplifier, be sure the antenna system is grounded so as to provide some protection against voltage surges and built-up static charges. Section 810 of the National Electrical Code, ANSI/NFPA No. 70-1984, provides information with respect to proper grounding of the mast and supporting structure, grounding of the lead-in wire to an antenna discharge unit, size of grounding conductors, location of antenna discharge unit, connection to grounding electrodes and requirements for the grounding electrode.

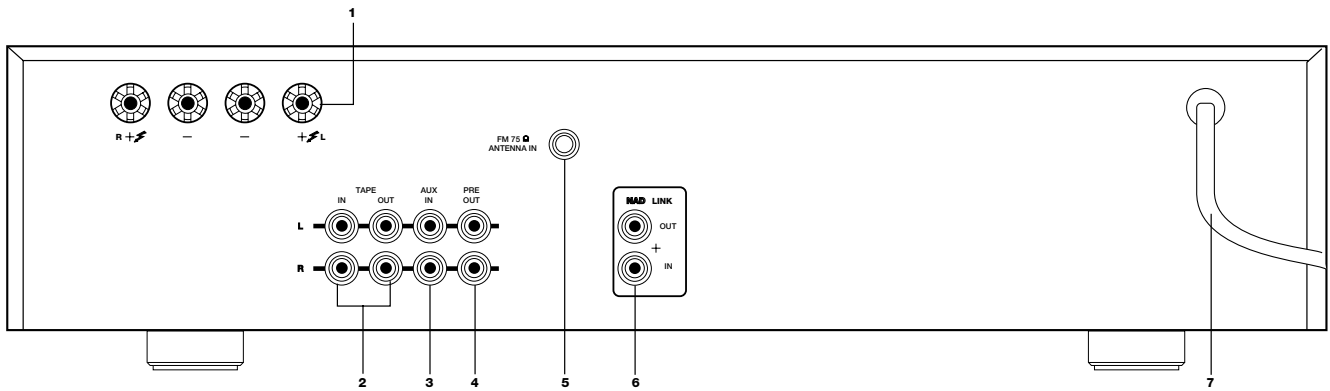
- a. Use No. 10 AWG (5.3mm²) copper, No. 8 AWG (8.4mm²) aluminium, No. 17 AWG (1.0mm²) copper-clad steel or bronze wire, or larger, as a ground wire.
- b. Secure antenna lead-in and ground wires to house with stand-off insulators spaced from 4-6 feet (1.22 - 1.83 m) apart.
- c. Mount antenna discharge unit as close as possible to where lead-in enters house.
- d. Use jumper wire not smaller than No.6 AWG (13.3mm²) copper, or the equivalent, when a separate antenna-grounding electrode is used. see NEC Section 810-21 (j).

EXAMPLE OF ANTENNA GROUNDING AS PER NATIONAL ELECTRICAL CODE INSTRUCTIONS CONTAINED IN ARTICLE 810 - RADIO AND TELEVISION EQUIPMENT.



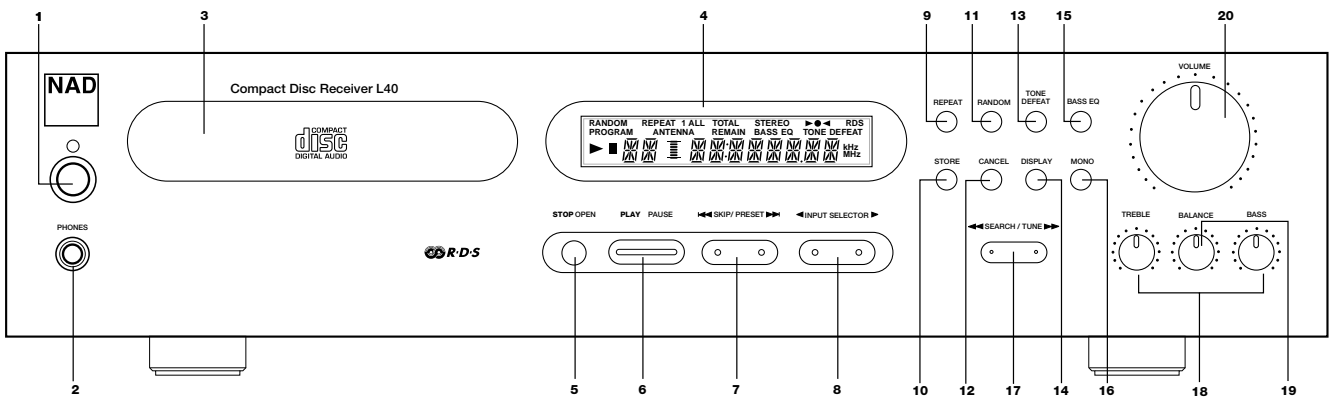
NOTE TO CATV SYSTEM INSTALLER: This reminder is provided to call the CATV system installer's attention to Article 820-22 of the National Electrical Code that provides guidelines for proper grounding and, in particular, specifies that the ground cable ground shall be connected to the grounding system of the building, as close to the point of cable entry as practical.

REAR PANEL CONNECTIONS (Figure 1.)



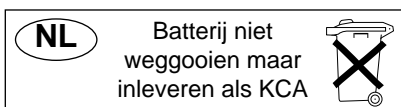
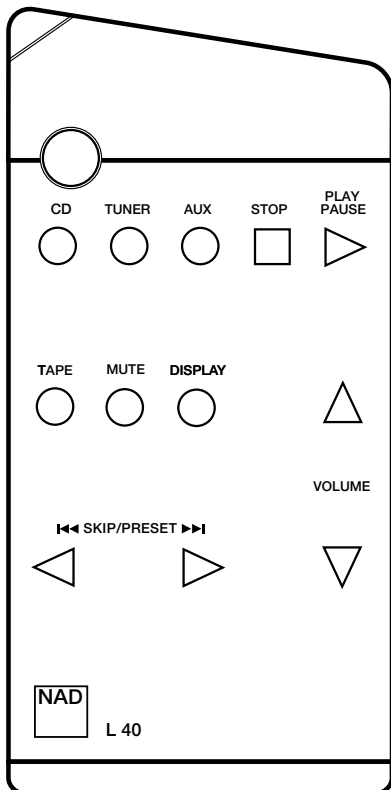
©1998. NAD ELECTRONICS LTD. L40

FRONT PANEL CONTROLS (Figure 2.)

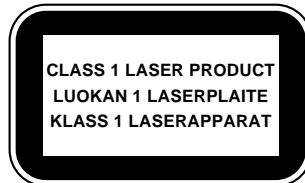


©1998. NAD ELECTRONICS LTD. L40

REMOTE CONTROL



SAFETY WARNING



THIS DIGITAL APPARATUS DOES NOT EXCEED THE CLASS B LIMITS FOR RADIO NOISE EMISSIONS FROM DIGITAL APPARATUS AS SET OUT IN THE RADIO INTERFERENCE REGULATIONS OF THE CANADIAN DEPARTMENT OF COMMUNICATIONS.

LE PRESENT APPAREIL NUMERIQUE N'EMENT PAS DE BRUITS RADIOELECTRIQUES DEPASSANT LES LIMITES APPLICABLES AUX APPAREILS NUMERIQUES DE LA CALSSE B PRESCRITES DANS LE REGLEMENT SUR LE BROUILLAGE RADIO ELECTRIQUE EDICTE PAR LE MINISTERE DES COMMUNICATIONS DU CANADA.

WARNING - INVISIBLE LASER RADIATION WHEN OPEN AND INTERLOCKS DEFEATED. AVOID EXPOSURE TO BEAM.

VORSICHT! - UNSICHTBARE LASERTRABLUNG TRITTS AUS, WENN DECKEL GEÖFFNET UND WENN SICHERHEITSVERRIEGELUNG ÜBERBRÜCKT IST. NICHT DEM STRAHL AUSSETZEN.

ADVARSEL - USYNLIG LASERSTRÅLING VED ÅBNING, NÅR SIKKERHEDSAFBRYDERE ER UDE AF FUNKTION. UNDGÅ UDSÆTTELSE FOR STRÅLING.

ADVARSEL - USYNLIG LASERSTRÅLING NÅR DEKSEL ÅPNES OG SIKKERHEDSLÅS BRYTES. UNNGÅ EKSPONERING FOR STRÅLEN.

VARING - OSYNLIG LASERSTRÅLING NÅR DENNA DEL ÅR ÖPPNAD OCH SPÄRRAR ÅR URKOPPLADE. STRÅLEN ÅR FARLIG.

VARO! - AVATTAESSA JA SUOJALUKITUS OHITETTAESSA OLET ALTTINA NÄKTMÄTÖNTÄ LASERSÄTEILYLLE. ÄLÄ KAISO SÄTEESEEN.



INSTRUCTION MANUAL NAD L 40 CD RECEIVER.

QUICK REFERENCE GUIDE:

General: How to...	Refer to: Chapter;	Section:
connect the loudspeakers	Rear Panel connections	1
connect the FM antenna	Rear Panel connections	5
connect and use NAD-Link	Rear Panel connections	6
connect a tape recorder	Rear Panel connections	2
connect extra sound source (MiniDisc player, television) to AUX	Rear Panel connections	3
switch Power on/off or to Stand-by/on	Front Panel Control	1
use the headphones socket	Front Panel Control	2
select a source	Front Panel Control	8
use the Tone controls & Tone Defeat	Front Panel Control	13 & 18
use Bass EQ	Front Panel Control	15
use the remote control	Remote control	
replace remote control handset batteries	Remote control	
Tuner: How to...		
enter a preset	Front Panel Control	10
delete a preset	Front Panel Control	12
add/change a name to a preset	Front Panel Control	11
tune to a radio station automatically (search)	Front Panel Control	17
tune to a radio station manually	Front Panel Control	17
tune to a weak radio station (mute off)	Front Panel Control	16
display RDS information (PS; station name and RT; RadioText)	Front Panel Control	14
CD: How to...		
load a CD	Front Panel Control	3 & 5
play a CD	Front Panel Control	6
pause a CD	Front Panel Control	6
skip to a different track	Front Panel Control	7
engage Repeat 1 and Repeat All mode	Front Panel Control	9
program for selective track listening	Front Panel Control	10 & 12
engage Random Play	Front Panel Control	11
display time information of CD	Front Panel Control	14
scan within tracks	Front Panel Control	17

NOTES ON INSTALLATION

Your L 40 should be placed on a firm, level surface. Avoid placing the unit in direct sunlight or near sources of heat and damp.

Allow adequate ventilation. Do not place the unit on a soft surface like a carpet. Do not put it in an enclosed position such as a bookcase or cabinet that may impede air-flow through the ventilation slots.

Switch the unit off before making any connections.

Use high quality RCA leads and connectors for optimum performance and reliability. Ensure that leads and connectors are not damaged in any way and all connectors are firmly plugged. The RCA connectors on your L 40 are colour coded red for Right audio and white for Left audio.

For the best performance, use quality speaker leads of 16 gauge thickness or more.

If the unit will not be used for some time, disconnect the plug from the AC socket.

Should water get into your L 40, shut off the power to the unit and remove the plug from the AC socket. Have the unit inspected by a qualified service technician before attempting to use it again.

Do not remove the cover, there are no user-serviceable parts inside.

Use a dry soft cloth to clean the unit. If necessary, lightly dampen the cloth with soapy water. Do not use solutions containing benzol or other volatile agents.

REAR PANEL CONNECTIONS

1. SPEAKERS

Outputs for speakers with an impedance of 4 ohm or more.

The 'RIGHT+' terminal should be connected to the '+' terminal on your right-hand loudspeaker and the 'RIGHT-' connected to the loudspeaker's '-' terminal.

Connect to the left-hand speaker the terminals marked 'LEFT+' and 'LEFT-' in the same way.

Heavy duty stranded wire or specialised speaker cables to connect the loudspeakers to your L 40 is recommended.

The high-current binding post terminals can be used as a screw terminal for cables terminated within spades or pin connectors, or for cables with bare wire ends.

SPADE CONNECTORS

These should be slotted under the terminal's screw bushings, which are then fully tightened. Ensure the connectors are tightly secured and there is no danger of bare metal from spade connectors touching the back panel or another connectors, as this may cause damage.

BARE WIRES AND PIN CONNECTORS

Bare wires and pin connectors should be inserted into the hole in the shaft of the speaker terminals. Unscrew the speaker terminal's plastic bushing until the hole in the screw shaft is revealed. Insert the pin or bare cable end into the hole and secure by tightening down the terminal's bushing.

Avoid any bare metal from speaker cables touching the back panel or another connector. Ensure that there is only 1/2" (1cm) of bare cable or pin and no loose strands of speaker wire.

2. TAPE IN, OUT

Connections for analogue recording and playback to an audio tape recorder of any type. Using a twin RCA-to-RCA lead, connect the left and right output (often labelled as "playback", "Line out", "Output", "Analogue Output") of the tape machine to the TAPE IN connectors of the L 40 for playback. Connect the left and right input (often labelled as "Record", "Line in", "Input", "Analogue Input") of the tape machine to the TAPE OUT connectors of the L 40 for recording.

3. AUX INPUT

Input for additional line level input signals such as a minidisc player. Use a twin RCA-to-RCA lead to connect the auxiliary unit's left and right line level outputs (often labelled as "Line out", "Output", "Analogue output") to this input.

4. PRE OUT

Connections to an external power amplifier.

5. FM ANTENNA

A ribbon wire FM antenna is included and should be connected to the FM ANTENNA connector at the rear of the unit using the 'balun' adapter supplied. The ribbon aerial should be mounted on a vertical surface and placed so that it forms a 'T'.

Experiment with placement of the antenna to find the position that gives the best signal strength and lowest background noise.

An inadequate FM signal normally results in high level of hiss, especially with stereo reception, and interference from external electrical sources. The performance of tuner section can be improved by using an externally mounted FM antenna. A qualified aerial installer will be able to advise and fit a recommended aerial for your reception conditions.

6. NAD-LINK IN, OUT

The NAD-Link connectors are used to pass commands from the remote control to and from other units fitted with NAD-Link connectors. This allows centralised control of a complete system or gives system control from more than one room and remote control operation of NAD units that are not remote controllable on their own.



To function with other units, connect the L 40's NAD-LINK OUT to the NAD-LINK IN on the other unit. NAD-LINK connectors can be daisy-chained, IN to OUT, so that a whole system can be controlled from the remote control facilities of one unit.

7. AC POWER CORD

Connect the AC Power cord to a suitable AC outlet socket.

FRONT PANEL CONTROL

1. POWER

Press the POWER button to switch unit ON. The display and volume control LED will illuminate.

Pressing the POWER switch again will turn the unit OFF completely. The L 40 uses a memory back-up system to store preset station information for the tuner. This information is retained for several weeks, even the unit is switched off completely or unplugged.

REMOTE CONTROL:

STAND-BY button (green):

Press this button to switch the unit from operating to the Stand-by mode and vice versa: Press this button again to switch the unit on from Stand-by.

NOTE:

Stand-by mode is indicated by the amber light just over the green POWER button on the front panel (No. 1)

In Stand-by mode, the L 40 uses very little power. However, it is recommended that you switch the unit totally off if it is not going to be used for more than a couple of days. Switch off completely by pressing the POWER button on the front panel (No. 1), all lights will extinguish.

2. PHONES

A 1/4" stereo jack socket is supplied for headphone listening and will work with conventional headphones of any impedance. Inserting a headphone jack into this socket automatically switches off the loudspeakers. The volume, tone and balance controls are operative for headphones listening. Use a suitable adapter to connect headphones with other types of connectors, which have 3.5mm stereo 'personal stereo' jack plug.

NOTE:

Make sure the volume control is turned to minimum (fully anti-clockwise) before connecting headphones.

Listening at high levels can damage your hearing.

3. DISC DRAWER

To load a disc, press the STOP/OPEN (No. 5) button to open the disc drawer. Place the CD within the large circular recess in the drawer, with its transparent playing surface facing down. The label must face up.

Press OPEN again to close the drawer or press PLAY/PAUSE to close the drawer and start playback.

CD-3 discs (3-inch CD 'singles') can be played without the aid of an adapter. Place the disc in the drawer, centred in the smaller circular recess, with its label facing up.

NOTE:

This player is not designed to accommodate a 'damping disc' placed on a CD, nor two CDs stacked together. It plays audio CDs, but not discs identified as CD-V, DVD, CD-I, CD-ROM, or PHOTO CD.

4. DISPLAY (LCD)


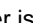
The LCD display provides information on the selected input and status of the CD and Tuner.

IN CD MODE:

TRACK NUMBER. Each disc is segmented into numbered tracks when the recording is made; typically each numbered track will correspond to a different song, symphonic movement, etc.

These track numbers are identified on the CD package and are encoded in the disc by its manufacturer.

Normally the alpha-numeric section of the display shows the time elapsed since the beginning of the current track. Using the DISPLAY button (No. 14) you can switch the display to show the playing time remaining to the end of the disc.

A right-pointing arrowhead , located near the left edge of the display, lights up during play. Two vertical bars  indicate that the player is in pause.

In stop mode the display reverts to showing the number of tracks and total playing time of the disc.

"NO DISC" is indicated in the display when there is no disc in the drawer or when you load a disc that cannot be read (because it is dirty or is upside-down).

"REPEAT 1" lights up in the upper-left corner during repeat-play of a single track.

"REPEAT ALL" lights up during repeat play of the entire CD or all pre-programmed tracks.

Both "REPEAT 1" and "REPEAT ALL" can be engaged by pressing button No. 9.

"TOTAL REMAIN" lights up in the centre area of the display if you have pressed the DISPLAY button to show the remaining time in the disc.

"RANDOM." When the L 40 is in random mode "RANDOM" will be shown in the display panel.

“**PROGRAM**” lights up when the CD player is being programmed to play a specific selection of tracks (using the STORE and CANCEL buttons; No’s. 10 + 12). PROGRAM also lights up during pre-programmed play-back of a CD.

IN TUNER MODE:

The alpha numeric section of the display will normally show the preset number and station name if an RDS station is received, or the programmed name. If no name was programmed or it is a radio station without RDS, the reception frequency in Mega Hertz (MHz) will be displayed.

“**ANTENNA**”, and the horizontal bars directly underneath light up in the display to indicate the signal strength of the radio station received. The more bars are lit, the stronger the signal.

Centre Tune, as indicated by a dot directly over the “**TONE DEFEAT**” indicator lights up if the tuner is tuned exactly on the centre frequency of the radio station. Centre Tune also lights up when the unit receives a remote command.

“**RDS**”, in the top right hand corner, lights up when a radio station transmitting RDS information is received.

NOTE:

The RDS feature is totally dependent on the capability of the radio broadcast. Many stations do not yet broadcast in RDS. NAD can make no guarantee about local RDS availability. Please check with your local broadcasters.

GENERAL:

“**BASS EQ**” lights up in the display if BASS EQ has been selected (No. 15)

“**TONE DEFEAT**” lights up in the display if TONE DEFEAT has been selected (No. 13).

REMOTE RECEIVER. An infrared sensor, located at the left-hand portion of the display window, receives commands from the remote control. There must be a clear line-of-sight path from the remote control to this window; if that path is obstructed, the remote control may not work. When the unit receives a command from the remote control, this is indicated in the display by a blinking dot.

5. STOP/OPEN

Pressing this button once stops the CD playback, cancels any repeat-play cycle, and re-sets the pickup to the beginning of the disc. The display reverts to showing the number of tracks and total playing time on the disc.

Press this button again to open the disc drawer, press it again to close the drawer.

When the drawer is closed, the player scans the

disc's 'table of contents' and displays the number of tracks and total playing time on the disc. If you press PLAY to close the drawer this information is skipped, and unit starts playing the CD at Track 1.

NOTE:

The disc drawer is opened and closed by an internal motor. Do not close the drawer by hand when the unit is powered off.

REMOTE:

On the remote control handset there is also a STOP button which performs almost the same function as the button on the front panel of the L 40, however this button does not open or close the tray door.

6. PLAY/PAUSE

Press the PLAY/PAUSE button to start playback of a CD, the PLAY mode is identified by a right-pointing arrowhead ► in the display.

Press PLAY/PAUSE again to momentarily stop playback (the CD player is now in “Pause” mode, identified by two vertical bars ■■ in the display.

To resume playback at the exact point where it was paused, press PLAY/PAUSE again. If you don't want to resume play at the same point, you may use the SKIP/PRESET (No.7) or SEARCH/TUNE (No. 17) controls to cue the pickup to a different starting point before pressing PLAY again.

On the remote control there is also a PLAY/PAUSE button. This button performs the same actions as the button on the front panel.

7. SKIP/PRESET

The SKIP/PRESET control actually operates two buttons either side of the control, indicated by little raised pips. To operate, press either one of the desired pips; the left one for SKIP BACK ◀◀ , the right one for SKIP FORWARD ▶▶ .

IN CD MODE:

SKIP BACK ◀◀

The SKIP ◀◀ button causes the laser to jump backwards to the beginning of each numbered track on the disc. The first press skips back to the beginning of the current track. Press SKIP ◀◀ twice in rapid succession to skip back to the preceding track. Continuous pressure will cause the player to jump to preceding tracks repeatedly until the button is released.

SKIP FORWARD ▶▶

During play, pressing SKIP ▶▶ will cause the laser to jump to the beginning of the next track and start play back there. Thus, to sample each song on a disc, press PLAY and then tap SKIP ▶▶ after you've heard a few seconds of each track. Continuous pressure will cause the player to jump to the higher numbered tracks repeatedly until the button is released.



IN TUNER MODE:

PRESET

Press PRESET up or down to select one of the FM Preset stations. Each time these buttons are pressed, the display panel will show the preset number and the preset frequency, or station name if it is an RDS radio.

NOTE:

The RDS feature is totally dependent on the capability of the radio broadcast. Many stations do not yet broadcast in RDS. NAD can make no guarantee about local RDS availability. Please check with your local broadcasters.

On the remote control there are also a SKIP/PRESET buttons. These buttons perform the same actions as the buttons on the front panel.

8. INPUT SELECTOR

The INPUT SELECTOR control actually operates two buttons either side of the control, indicated by little raised pips. To operate, press either one of the desired pips.

Pressing the right side of the control causes L 40 to scroll through its inputs in the following sequence:

CD > Aux > Tape > Tuner > CD.

Pressing the left side of the control causes the L 40 to scroll through its inputs in reversed order:

CD > Tuner > Tape > Aux > CD.

Press either button repeatedly until the desired source is shown in the display.

REMOTE CONTROL:

The remote control has separate buttons for each input. Press the corresponding button for the desired input.

9. REPEAT

This button engages an endless-repeat cycle. Press the REPEAT button once to select the REPEAT 1 mode, which repeats only the current track over and over again.

Pressing the REPEAT button once again selects the REPEAT ALL mode, in which mode the entire disc or a pre-programmed selection of tracks is played from beginning to end, over and over again. Press the Repeat button a third time to cancel the repeat cycle and return to normal operation.

10. STORE

IN CD MODE:

The L 40 CD receiver allows you to pre-program the CD player to skip the tracks of a CD you **do not** want to hear (negative programming). Programming the CD player can only be done with a CD present in the tray and in Stop mode.

To engage Program mode, press STORE. Use the SKIP/PRESET buttons to choose the track you **do not** want to play; the track number is blinking in the display. Press CANCEL (No. 12) to confirm the track you wish to delete. The display confirms this first track cancellation by indicating "P--01".

Select the next track you want to skip and press CANCEL again; the display indicates "P--02". repeat this procedure until all the track you do not want to play have been selected.

After you have selected all tracks you do not wish to play, press the PLAY button to start playback of all remaining tracks. During Program Play, "PROGRAM" will be lit in the display.

NOTE:

Pressing STOP/OPEN (No. 5) will delete a program and disengage the Program mode. Changing to a different source (such as tuner, for example) will also delete any program and disengage Program mode.

IN TUNER MODE:

The L 40 CD Receiver allows you to store up to 30 radio stations (presets) in its memory.

To store a station as a preset, first tune to the desired radio station using the SEARCH/TUNE control buttons (No. 17).

Press the STORE button. The display panel will show the lowest available preset number for approximately 6 seconds.

Within these 6 seconds, press STORE again to store the station under this preset number.

If you wish to use a different preset number, use the SKIP/PRESET control buttons (No. 7) to select the desired number before pressing store again. Note that only empty preset numbers will be shown; should you wish to use a preset number already in use, you will have to clear that first (refer to section CANCEL, No. 12)

NOTE:

Apart from the radio station itself, the L 40 will also remember if Mono (No. 16) was selected. This is particularly useful if you wish to listen frequently to a weak station. The procedure is the same as described above, but after having selected the desired preset number, select MONO (No.16); "STEREO" will extinguish in the display. Press STORE.

NOTE:

The Store mode will automatically cancel itself after approximately 5 seconds if no other buttons are pressed.

11. RANDOM

IN CD MODE:

Pressing the RANDOM button will engage playback of all tracks on the CD in a random order. Press RANDOM either from the Stop or the Play mode and the L 40 will start to play the tracks on the CD in random order until all the tracks have been played.

Press the RANDOM button again to cancel random play and return the L 40 to the normal Play mode.

While the L 40 is in random mode 'RANDOM' will be shown in the Display.

RANDOM can be used together with the REPEAT ALL mode. The L 40 will continue with another cycle of random playback after completing a cycle of random playback.

NOTE:

RANDOM can not be used together with "Program Play" (refer to section No. 10).

IN TUNER MODE:

Many people find it difficult to remember which radio station belongs to what frequency. To avoid such confusion, you can give each preset a name of up to 8 characters. When calling up that preset, the name instead of the frequency will be displayed. For instance, 91.30 corresponds to BBC Radio 3; in this case the preset can be programmed to display "BBC R3" whenever it is called up.

There are two ways to name a preset; name and store the station in a preset at the same time, or name an already occupied preset.

TO NAME AND STORE A PRESET

Tune into the desired radio station using the SEARCH/TUNE control buttons (No. 17). Press the REPEAT button, apart from a flashing line, the display will go blank. Within the default time of 10 seconds you can now enter the first desired character.

Select the character using either one of the SKIP/PRESET control buttons (No. 7). Pressing the right SKIP/PRESET control button will scroll through the available characters in numeric and alphabetic order: (blank space) > 0 > 1 > 2 > 3 through to 9 > A > B > C through to Z > (blank space) > 0 > 1 > 2 > and so on. Press the left SKIP/PRESET control button to scroll through the characters in reverse order: Z > Y > X through to A > 9 through to 3 > 2 > 1 > 0 > (blank space) > Z > Y > X > and so on.

Use the right SEARCH/TUNE (No. 17) control button to move to the next position on the right to enter the second character and repeat selecting a character as described above.

Enter all the other characters using the SKIP/PRESET and SEARCH/TUNE control buttons as described above.

Once all characters have correctly been entered, press STORE (No. 10).

Press STORE again to assign a preset number (refer to section 10)

TO NAME AN ALREADY USED PRESET

Call up the preset you wish to name. Press the REPEAT button, apart from a flashing line, the display will go blank. Within the default time of 10 seconds you can now enter the first desired character.

Select the character using either one of the SKIP/PRESET control buttons (No. 7). Pressing the

right SKIP/PRESET control button will scroll through the available characters in numeric and alphabetic order: (blank space) > 0 > 1 > 2 > 3 through to 9 > A > B > C through to Z > (blank space) > 0 > 1 > 2 > and so on. Press the left SKIP/PRESET control button to scroll through the characters in reverse order: Z > Y > X through to A > 9 through to 3 > 2 > 1 > 0 > (blank space) > Z > Y > X > and so on.

Use the right SEARCH/TUNE (No. 17) control button to move to the next position on the right to enter the second character and repeat selecting a character as described above.

Enter all the other characters using the SKIP/PRESET and SEARCH/TUNE control buttons as described above.

Once all characters have correctly been entered, press STORE (No. 10). The preset has now been named.

NOTE:

It is always possible to change a name. Use the same procedure as described under "To name an already stored preset". Instead of a blank line, the first character will start to blink in the display upon pressing REPEAT; you can simply "overwrite" by selecting a new character.

NOTE:

It is not possible to rename an RDS radio station; the transmitted name (PS) will be stored and displayed automatically.

12. CANCEL

IN CD MODE:

The CANCEL button works in conjunction with the STORE button (No. 10) which will allow you to delete tracks you do not wish to hear.

Refer to the section STORE (No. 10) on how to program and engage Program Play.

IN TUNER MODE:

To delete a specific preset, select the preset and press CANCEL; the preset number in the display starts blinking. Within the default time of 6 seconds, press CANCEL again. To confirm that this preset number is now empty, the display will give the message: "PRESET CLEAR".

13. TONE DEFEAT

The TONE DEFEAT button by-passes the tone control section of the L 40. If you normally leave the tone controls in the 12 o'clock position, then it is advisable to switch out the tone control section altogether by pressing the TONE DEFEAT button. To indicate that TONE DEFEAT is engaged, "TONE DEFEAT" will light up in the display. By-passing the tone control electronics ensures a slightly improved audio quality and unaltered frequency response.

14. DISPLAY

IN CD MODE:

The DISPLAY button has three modes, as follows:

TIME: The elapsed time in minutes and seconds since the beginning of the current track. (This is the 'default' setting, selected automatically when the player is turned on.)

REMAIN: The total playing time that remains until the end of the disc and the total number of remaining tracks (including the current track), or the remaining number of tracks and time during program Play.

TOTAL: the total number of tracks and playing time of the disc.

IN TUNER MODE:

When receiving an RDS radio station, the DISPLAY button scrolls through three modes:

As the default, when tuned to an RDS radio station, the station name will be displayed (RDS PS).

Press the DISPLAY button once to show any Radio Text (RDS RT). Radio text information can consist of the program or presenter's name, what song is playing, etc. The text scrolls continuously over the display. If the station doesn't transmit any RadioText the display will show this by indicating "NO TEXT".

Press the button again to show the station frequency and signal strength.

Press the button once more to revert back to the default display with the radio station name (RDS PS).

Pressing the DISPLAY button when tuned to a radio station without RDS the display will give the message "NO RDS" for 5 seconds before reverting back to the normal display again.

NOTE:

The RDS feature is totally dependent on the capability of the radio broadcast. Many stations do not yet broadcast in RDS. NAD can make no guarantee about local RDS availability. Please check with your local broadcasters.

15. BASS EQ

Small speakers typically are less capable of producing deep bass because of their physical limitations. The BASS EQ feature compensates for this roll-off, extending the useful response of the speakers significantly. Of course very low frequencies are not found in all music or recordings so the effect of BASS EQ won't always be obvious. With music that contains a lot of deep bass information the effect will prove to be an obvious and dramatic improvement.

Press the BASS EQ button to engage; "BASS EQ" lights up in the display.

Press the BASS EQ button again to disengage.

NOTE:

The BASS EQ circuit also incorporates an infrasonic filter that rolls off the response below 25Hz to prevent inappropriate amplification of non-musical signals below the audio range. With music with extreme deep bass it is possible to overdrive either the L 40's amplifier or speakers. This is noticeable as distortion; in such a case disengage BASS EQ and/or lower the volume level until the sound is undistorted again.

16. MONO

If a strong stereo FM signal is being received, your NAD L 40 will automatically switch to Stereo FM operation, which is shown by the STEREO indicator in the display, and the tuner will mute when searching between stations.

Weak stereo signals however, may have a high level of background hiss. Switching to Mono mode by depressing the MONO button will cancel most or all of this background noise. Press the MONO button again to return to Auto Stereo FM operation.

It is possible to add the MONO status to a preset. This way, if you listen frequently to a weak station you don't need to set MONO manually everytime. Refer to section STORE (No. 10) for more information.

NOTE:

MONO works only on the tuner section of the L 40. With CD, Tape or Aux selected, the MONO button is inoperative.

17. SEARCH/TUNE

IN CD MODE:

SEARCH BACK ◀◀

The SEARCH ◀◀ button causes the optical pick-up of the CD player to scan backwards through the recording at high speed. This button works only while the player is in PLAY or PAUSE. After a STOP command, or after loading a new disc, you must press PLAY before the scan circuit will work.

If the scan is initiated while the player is in PAUSE the scan is silent and is approximately 15-20 times faster than normal playing speed. If Scan is initiated during PLAY the music will be heard in fragmentary form as the player scans through it. Use this 'audible scan' to cue the player precisely to the spot where you want to resume play.

If you scan back to the beginning of the disc while playing Track 1, the player automatically reverts to normal playback.

SEARCH FORWARD ▶▶

The SEARCH ▶▶ button causes the optical pick-up to scan rapidly forwards through the music. The behaviour of this function is similar to SEARCH ◀◀.

If you scan forward to the end of the disc while playing the final track, the scan will stop and the display will show the table of contents. (There is no 'wrap-around' mode.)

IN TUNER MODE:

The L 40 allows you to tune to a radio station in two modes, manually or search automatically. To automatically search: Press either the ◀◀ or ▶▶ button on the SEARCH/TUNE control for over 1 second and release to respectively tune down or up the frequency band. The tuner will automatically search down or up the FM band to find the first station that is being received with a reasonably strong signal. Once it has found a reasonably strong signal it will stop and accurately tune itself to the radio station. The Centre Tune indicator (a single dot in the display) will light up when a station is correctly tuned.

To manually tune in to a radio station:

Press either ◀◀ or ▶▶ button on the SEARCH/TUNE control to respectively tune down or up the frequency band. The tuner will start to automatically search down or up the FM band. Once in the proximity of the desired frequency briefly press the other side of the SEARCH/TUNE control to stop searching.

With every repeated brief push of either one of the ◀◀ or ▶▶ SEARCH/TUNE buttons briefly, the tuner will take a small tuning step of 0.025MHz.

The Centre Tune indicator (a single dot in the display) will light up to indicate that the radio station has accurately been tuned to.

NOTE:

Sometimes a radio station is so weak that its signal level falls below the muting threshold level (the muting circuits mutes the noise normally heard between radio stations) so that the radio station can't be heard, even if it has been tuned to the exact frequency. In such a case press the MONO button (No. 16) to turn the muting circuit off.

18. BASS & TREBLE CONTROLS

The BASS and TREBLE tone controls adjust the tonal balance of your system.

The 12 o'clock position is 'flat' with no boost or cut and a detent indicates this position. Rotate the controls clockwise to increase, or anti-clockwise to decrease, the amount of Bass or Treble.

The Tone controls will not affect recordings made from the Tape outputs but will affect the signal going to the Pre-amp output (Pre Out).

NOTE:

Make sure that TONE DEFEAT (No. 13) is not engaged as the tone controls will not work (if it is, "TONE DEFEAT" lights up in display).

19. BALANCE

The BALANCE control adjusts the relative levels of the left and right speakers. The 12 o'clock position provides equal level to the left and right channels. A detent indicates this position.

Rotating the control clockwise moves the balance towards the right. Rotating the control anti-clockwise moves the balance to the left.

The BALANCE control does not affect recordings made from the Tape outputs but will affect the signal going to the Pre-amp output (Pre Out).

20. VOLUME

The VOLUME control adjusts the overall loudness of the signals being fed to the loudspeakers.

On the remote control handset there are two buttons for volume. Press the UP button to increase the volume level; press the DOWN button to decrease the volume level. When using either the DOWN or UP volume control button on the remote control handset, the display will indicate respectively "VOL DOWN" or "VOL UP". The motorised volume control knob on the front panel will move down or up at the same time.

NOTE:

The volume control does not affect recordings made from the Tape output but will affect the signal going to the Pre-amp output (Pre Out).

REMOTE CONTROL HANDSET INSTALLING AND REPLACING BATTERIES

The remote control requires two 1.5-volt AAA-size (i.e. UM-4 or IEC RO3) cells. Alkaline cells are recommended, to obtain maximum operating life.

To open the battery compartment, place your fingertip in the recess on the rear of the remote control, push against the flexible edge of the battery cover and lift the cover upwards. Install fresh cells, orienting them as shown on the diagram within the compartment. The coil springs should contact the (-) end of each cell. Push the battery compartment cover back and press gently until it latches.

In some cases, poor operation may be caused by corrosion or fingerprint oil on the battery contacts. Remove both cells, rub the metal contacts at both ends of each cell with a clean cloth or a pencil eraser, and re-install the cells, being careful to orient them correctly.

STAND-BY button (green):

Press this button to switch the unit from operating to the Stand-by mode and vice versa: Press this button again to switch to unit on from Stand-by.

NOTE:

Stand-by mode is indicated by the amber light just over the green POWER button on the front panel (No. 1). In Stand-by mode the L 40 uses very little power.

However, it is recommended that you switch the unit totally off if it is not going to be used for more than a couple of days. Switch off completely by pressing the POWER button on the front panel (No. 1), all lights will extinguish.

VOLUME UP and DOWN buttons:

On the remote control handset there are two buttons for volume. Press the UP button to increase the volume level; press the DOWN button to decrease the volume level. When using either the DOWN or UP volume control button on the remote control handset, the display will indicate respectively "VOL DOWN" or "VOL UP". The motorised volume control knob on the front panel will move down or up at the same time.

MUTE button:

By pressing this button the overall volume level is significantly reduced (by 20dB). This can be useful to quickly lower the volume level to answer a telephone call, for instance. When the unit is muted, the display indicates "MUTE", in whatever mode it is in.

Press MUTE again to restore the original volume level.

STOP button:

Press this button to stop CD playback or to clear "Program Play". On the front panel there is also a STOP button which performs almost the same function as the button on the remote control handset, however this button also opens or closes the CD tray door.

CD, TUNER, AUX and TAPE buttons:

Unlike the front panel, the remote control handset has separate buttons for each input. Press the corresponding button for the desired input.

The **PLAY/PAUSE**, **SKIP/PRESET**, and **DISPLAY** buttons function in the same manner as those with the same name on the front panel of the unit (respectively No's. 6, 7 and 14 on front panel drawing).

MAINTENANCE

At periodic intervals, open the disc drawer and wipe with a damp cloth to remove any loose dust.

HANDLING COMPACT DISCS

Handle Compact Discs with care. The playback of a disc will not be impaired by small dust particles, a few light fingerprints, or slight scratches. But large scratches, or a thick layer of oily fingerprints, can prevent the player from tracking the disc. (Incidentally, although the tracking laser 'plays' the disc through its clear side, the actual data surface is embedded directly beneath the label, protected only by a very thin coating of lacquer. So a scratch that cuts through the label may damage the disc more than a similar scratch on the transparent 'playing' surface. Thus you should treat both surfaces of the disc with care.)

Severe scratches or fingerprints may cause the player to mis-track (skipping ahead, or repeating the same passage). Less severe damage may produce very brief bursts of high-frequency noise. The tracking and error-correction circuits of this NAD CD

Receiver are unusually sophisticated, providing secure tracking of flawed discs that are not playable on some other players. Nevertheless, the discs should not be abused or handled carelessly.

For best results, grasp the disc only by its edges. Another safe method is to put a finger in the centre hole, using the thumb at the edge to hold the disc steady.

Each disc should be kept in its protective storage case when not in use. To open the standard Philips-type plastic CD case, grasp the top and bottom of the case with the fingers and thumb of the left hand; then grasp the left and right edges of the case with the fingers and thumb of the right hand, and pull the case open with the right thumb.

The disc is held in place within the case by an expansion hub in its center hole. To remove the disc, press the hub with a finger to release the disc, then lift it out by gripping its edges between the fingers and thumb. To replace the disc in the case, simply align its center hole with the hub and press the disc onto the hub.

CLEANING DISCS

Soiled discs may be cleaned by wiping with a soft cloth, either dry or moistened with water. Do NOT use conventional LP record-cleaning products (cleaning solutions, sprays, treated cloths, or anti-static preparations), nor any kind of chemical solvent (alcohol, benzene, etc). A severely soiled disc may be washed in a warm-water spray, possibly with a small amount of a mild kitchen detergent added, and then wiped dry with a clean, soft towel.

When cleaning the disc, use only RADIAL strokes (from center to edge). Never use a circular wiping motion like that used for cleaning ordinary LP records, because in wiping the disc there is a risk of scratching it. A radial scratch will do the least harm because it affects only a small portion of each circular data track, which can be fully compensated by the player's error-correction circuits. But a circular scratch that follows a data track may damage such a long continuous segment of data that it cannot be corrected.

ABOUT THE LASER

The CD Receiver uses a solid-state semiconductor diode laser, mounted on a tracking servo mechanism, to play the disc. The laser illuminates the track of microscopic pits representing the digital data bits, while photo-diodes detect the reflected illumination from the disc and convert it into an electronic signal which is then decoded to recover the musical waveform in each stereo channel.

You cannot see the laser operating, because it operates at wavelength of 7800 Angstroms, which is in the infrared region and thus invisible to the human eye.

The CD Receiver is completely safe for children to use. The laser operates at very low power and is concealed within the player mechanism. Even when the player is disassembled, the laser remains sealed within an optical system that causes its light to focus only 1 millimetre from the lens and then diverge rapidly, reducing its intensity to negligible levels.

TROUBLESHOOTING

SYMPTOM	POSSIBLE CAUSE	CORRECTION
<ul style="list-style-type: none"> No Power when the POWER button is set to ON. 	<ul style="list-style-type: none"> Poor or no power plug connection at the AC outlet. Power not switched on. 	<ul style="list-style-type: none"> Insert power plug firmly into the AC outlet.
<ul style="list-style-type: none"> Disc play does not start. 	<ul style="list-style-type: none"> The disc is loaded upside down. The disc is too dirty. 	<ul style="list-style-type: none"> Reload the disc with the label side UP. Clean the disc.
<ul style="list-style-type: none"> No Sound. 	<ul style="list-style-type: none"> Incorrect audio cable connections. Station not selected or weak signal. 	<ul style="list-style-type: none"> Check inputs and speakers connection to L 40. Re-tune.
<ul style="list-style-type: none"> Thermal cut out operated. 	<ul style="list-style-type: none"> Switch off and reduce volume setting. 	<ul style="list-style-type: none"> Switch on after the unit has cooled down. Internal fuse blown; consult dealer.
<ul style="list-style-type: none"> No sound in one channel. 	<ul style="list-style-type: none"> Volume Control balance not even. Input lead disconnected or damaged. 	<ul style="list-style-type: none"> Reset balance Control to centre detent position. Check leads and connections.
<ul style="list-style-type: none"> Sound skips. 	<ul style="list-style-type: none"> The L 40 is subject to vibration or physical shock from external sources. 	<ul style="list-style-type: none"> Change the installation location.
<ul style="list-style-type: none"> Remote control does not work. 	<ul style="list-style-type: none"> Batteries in Remote Control have expired. Object obscuring remote sensor on the player. 	<ul style="list-style-type: none"> Replace batteries. Remove any objects directly in front of the display window.
<ul style="list-style-type: none"> A humming noise can be heard. 	<ul style="list-style-type: none"> Loose cable connection. 	<ul style="list-style-type: none"> Check cable connections.
<ul style="list-style-type: none"> Weak bass; diffuse stereo image. 	<ul style="list-style-type: none"> Speakers connected to the power amplifier wired out of phase. 	<ul style="list-style-type: none"> Check the "+" and "-" connections to both speakers.
<ul style="list-style-type: none"> Noisy, reception, hiss. 	<ul style="list-style-type: none"> Weak signal. 	<ul style="list-style-type: none"> Check station tuning. Adjust or replace antenna.
<ul style="list-style-type: none"> Reception distorted. 	<ul style="list-style-type: none"> Multi-path or interference from another station. 	<ul style="list-style-type: none"> Check station tuning. Adjust or replace antenna.
<ul style="list-style-type: none"> Reception with whistling, buzzing noises. 	<ul style="list-style-type: none"> Interference from other computers, games consoles. 	<ul style="list-style-type: none"> Check station tuning. Switch off or move the source of electrical noise.
<ul style="list-style-type: none"> No station found in Search Mode. 	<ul style="list-style-type: none"> Insufficient aerial signal. 	<ul style="list-style-type: none"> Check aerial connection. Adjust position of ribbon antenna.

MANUEL D'EXPLOITATION POUR RÉCEPTEUR CD NAD L 40.

NOTICE DE CONSULTATION RAPIDE:

Généralités: Comment...	Voir: Chapitre;	Section:
brancher les haut-parleurs	Connexions sur Panneau Arrière	1
brancher l'antenne FM	Connexions sur Panneau Arrière	5
brancher et utiliser la liaison NAD	Connexions sur Panneau Arrière	6
brancher le magnétophone	Connexions sur Panneau Arrière	2
brancher une source de son supplémentaire (lecteur MiniDisc, télévision) Ö AUX	Connexions sur Panneau Arrière	3
mettre en marche/arrêt [Power on/off ou veille/marche [Stand-by/on]	Commande sur Face Parlante	1
utiliser la prise du casque	Commande sur Face Parlante	2
sélectionner une source	Commande sur Face Parlante	3
utiliser les commandes de Tonalité [Tone] et Tonalité Neutre [Tone Defeat]	Commande sur Face Parlante	13 et 18
utiliser l'égalisation des tons graves [Bass EQ]	Commande sur Face Parlante	15
utiliser la télécommande	Télécommande	
changer les piles de la télécommande	Télécommande	
Tuner: Comment...		
entrer une valeur prédéfinie	Commande sur Face Parlante	10
effacer une valeur prédéfinie	Commande sur Face Parlante	12
ajouter/changer un nom en une valeur prédéfinie	Commande sur Face Parlante	11
réglage automatiquement sur une station radio "Recherche" [search]	Commande sur Face Parlante	17
réglage manuellement sur une station radio	Commande sur Face Parlante	17
réglage sur une station radio faible (silencieux éteint) [mute off]	Commande sur Face Parlante	16
afficher l'information RDS (PS; nom de la station et RT; RadioTexte)	Commande sur Face Parlante	14
CD: Comment ...		
introduire un CD	Commande sur Face Parlante	3 et 5
passer un CD	Commande sur Face Parlante	6
arrêter brièvement le CD - pause	Commande sur Face Parlante	6
faire un saut Ö une piste différente	Commande sur Face Parlante	7
activer le mode "Répétition 1" [Repeat 1] et le mode "Répétition Toutes" [Repeat All]	Commande sur Face Parlante	9
programme pour l'écoute sélective des pistes	Commande sur Face Parlante	10 et 12
activer "Sélection Aléatoire" [Random Play]	Commande sur Face Parlante	11
afficher l'information de temps du CD	Commande sur Face Parlante	14
rechercher parmi les pistes	Commande sur Face Parlante	17

REMARQUES CONCERNANT L'INSTALLATION

Poser votre L40 sur une surface stable, plane et horizontale. Éviter les rayons directs du soleil et les sources de chaleur et d'humidité.

Assurer une ventilation adéquate. Ne pas poser cet appareil sur une surface molle, par ex. sur la moquette. Ne pas le placer dans un endroit enfermé, tel qu'une bibliothèque ou derrière des portes vitrées, où le flux d'air à travers les fentes de ventilation risque d'être entravé.

Mettre l'unité hors tension avant de réaliser les connexions.

N'utiliser que des câbles et des connecteurs RCA de très bonne qualité de manière à obtenir un branchement dont la fiabilité est parfaite et les performances optimales. Vérifier que les câbles et les connecteurs ne soient pas du tout abîmés et que tous les connecteurs soient bien enfoncés jusqu'en butée. Les connecteurs RCA de votre L 40 sont codés en rouge pour l'audio droite et en blanc pour l'audio gauche.

Pour obtenir les meilleures performances, utiliser des câbles pour haut-parleurs d'une épaisseur de calibre 16 ou plus.

Si l'appareil doit rester inutilisé pendant un certain temps, débrancher le cordon d'alimentation de la prise de secteur murale.

Si de l'eau pénètre à l'intérieur du L 40, couper l'alimentation de l'appareil et retirer la fiche de la prise secteur. Faire contrôler l'appareil par un technicien de service après-vente qualifié avant toute tentative de remise en service.

Ne pas retirer le couvercle. A l'intérieur, il n'y a aucun élément sur lequel l'utilisateur peut intervenir.

Utiliser un chiffon doux, sec et propre pour nettoyer l'appareil. Si nécessaire, humecter le chiffon avec un peu d'eau savonneuse.

Ne pas utiliser de solution contenant du benzol ou quelconque autre agent volatil.

LIAISONS SUR LE PANNEAU ARRIERE

1. HAUT-PARLEURS

Sorties pour haut-parleurs d'une impédance de 4 ohms ou plus.

La borne droite [RIGHT+] devrait être connectée à la borne [+] sur votre haut-parleur droit et la borne [RIGHT-] devrait être connectée à la borne [-] de votre haut-parleur.

Connecter de la même façon les bornes gauches [LEFT+] et [LEFT-] à votre haut-parleur gauche.

Il est conseillé d'utiliser un fil torsadé à haut rendement ou des câbles pour haut-parleurs spéciaux pour connecter les haut-parleurs à votre L 40.

Les bornes de câble à haute intensité peuvent servir comme borne à visser pour les câbles qui se terminent en cosses ou en connecteurs à broches, ou pour les câbles à fils nus.

COSSES

On intercale ces cosses sous les bagues à visser des bornes, avant de les serrer. Vérifier que les connecteurs sont bien serrés et qu'il n'y a aucun danger que le métal nu de la cosse touche le panneau arrière ou d'autres connecteurs, sous peine de provoquer des dégâts.

FILS NUS ET CONNECTEURS A BROCHE

Les fils nus et les connecteurs à broche s'insèrent dans le trou percé dans la tige des bornes des haut-parleurs. Dévisser la bague en plastique de la borne du haut-parleur jusqu'à ce que le trou dans la tige soit visible. Insérer la broche ou l'extrémité nue du câble dans le trou, puis fixer le câble en serrant la bague de la borne.

Veiller que le métal nu des câbles des haut-parleurs ne touche pas le panneau arrière ou quelconque autre connecteur. Vérifier également qu'il n'y ait que 1 cm de câble nu ou de broche et qu'aucun fil des haut-parleurs ne soit desserré.

2. Magnétophone Entrée, Sortie [TAPE IN, OUT]

Les connexions pour l'enregistrement analogique et lecture vers un magnétophone de type quelconque. Au moyen d'un câble jumelé RCA-à-RCA, connecter la sortie gauche et droite (souvent nommée "lecture" [playback], "Sortie Ligne" [Line Out], "Sortie" [Output], "Sortie Analogue" [Analogue Output] du magnétophone aux connecteurs "Magnétophone Entrée" [TAPE IN] du L 40 pour la lecture. Connecter l'entrée gauche et droite (souvent nommée "Enregistrer" [Record], "Entrée Ligne" [Line In], "Entrée [Input], "Entrée Analogue" [Analogue Input] du magnétophone aux connecteurs "Magnétophone Sortie" [TAPE OUT] du L 40 pour l'enregistrement.

3. Entrée AUX [AUX INPUT]

Il s'agit de l'entrée pour les signaux d'entrée supplémentaires de niveau ligne, comme par exemple d'un lecteur de minidisc. Utiliser un câble RCA-à-RCA pour connecter les sorties gauche et droite de niveau ligne de l'unité auxiliaire (souvent nommées "Sortie Ligne" [Line Out], "Sortie" [Output], "Sortie Analogue" [Analogue Output] à cette entrée.

4. Pré-Sortie [PRE-OUT]

Connexions à un amplificateur de puissance extérieur.

5. Antenne FM [FM ANTENNA]

Une antenne FM, sous forme de câble plat, est livrée avec le L 40. Cette antenne se branche à l'arrière au connecteur "Antenne FM" [FM Antenna] à l'aide d'un adaptateur "Balun" fourni. L'antenne câble

plat doit être fixée sur une surface verticale, en forme de "T".

Faire des essais en mettant l'antenne dans différentes positions, de manière à obtenir le meilleur signal possible avec un minimum de bruit de fond.

En général, un signal FM insuffisant entraîne un sifflement, surtout en réception stéréophonique, et génère des interférences en provenance de sources électriques extérieures. Il est possible d'améliorer les performances du tuner en utilisant une antenne FM montée à l'extérieur du bâtiment. Un installateur d'antennes qualifié pourra donner les conseils appropriés, et poser une antenne adaptée aux conditions de réception locales.

6. Entrée/Sortie Liaison-NAD [NAD-LINK IN, OUT]

Les connecteurs de Liaison-NAD [NAD-Link] servent à relayer les commandes de la télécommande vers et en provenance d'autres appareils équipés de connecteurs de Liaison-NAD. Cela permet d'assurer une commande centralisée pour tout un réseau, ou permet de télécommander la chaîne depuis plusieurs pièces et aussi de télécommander des unités NAD qui, seules, n'auraient pas cette facilité de télécommande.

Pour assurer le relais vers d'autres appareils, relier le connecteur de "Sortie Liaison-NAD" [NAD-Link OUT] du L 40 à "L'entrée Liaison-NAD" [NAD-LINK IN] de l'autre appareil. Il est possible de relier les connecteurs de Liaison-NAD [NAD-LINK] en chaîne, "Entrée" [IN] vers "Sortie" [OUT], et donc de commander tout un réseau d'appareils à l'aide de la télécommande d'un seul d'entre eux.

7. Cordon Alimentation Secteur [AC POWER CORD]

Brancher ce cordon à une prise murale secteur appropriée.

COMMANDES DE LA FACE PARLANTE

1. Marche/Arrêt [POWER]

Appuyer sur le bouton "Marche/Arrêt" [POWER] pour mettre l'unité sous tension (ON). L'affichage et le voyant de commande de volume s'allumeront.

Pour couper l'alimentation (OFF), appuyer à nouveau sur le bouton "Marche/Arrêt" [POWER].

Le L 40 utilise un système de mémoire de réserve pour sauvegarder les informations de stations prédéfinies pour le tuner. Ces informations sont sauvegardées en mémoire pendant plusieurs semaines, même si l'alimentation est tout à fait coupée ou l'unité est débranchée.

TELECOMMANDE:

Bouton vert "veille" [STAND-BY]:

Appuyer sur ce bouton pour permuter l'unité du mode "Marche" en mode "Veille" (Stand-By) et vice versa.

Appuyer à nouveau sur ce bouton pour mettre

l'unité en marche à partir du mode "Veille" [Stand-by].

NOTA:

Le mode "Veille" [Stand-By] est indiqué par un voyant orange juste au-dessus du bouton vert "Marche/Arrêt" [POWER] sur la face Parlante (N° 1).

En mode Veille (Stand-By) le L 40 ne consomme que très peu de courant. Il est, toutefois, conseillé de mettre l'unité tout à fait hors tension si l'unité va rester inutilisée pendant plusieurs jours. Mettre l'unité complètement hors tension en appuyant sur le bouton "Marche/Arrêt" [POWER] sur la face Parlante (N° 1), et tous les voyants s'éteindront.

2. CASQUE

Une prise stéréo pour fiche à jack de 1/4" est prévue pour l'écoute avec casque et convient aux casques conventionnels à impédance quelconque. Le simple fait d'insérer une fiche à jack pour casque dans cette prise coupe les haut-parleurs automatiquement. Les commandes de volume, de tonalité et d'équilibre sont également disponibles pour l'écoute avec casque.

Utiliser un adaptateur approprié pour brancher les casques pourvus de connecteurs différents et ayant une fiche à jack pour "chaîne stéréo personnelle" de 3,5 mm.

NOTA:

Veiller que la commande de volume soit au minimum (tout à fait dans le sens inverse horaire) avant de brancher le casque.

L'écoute à des niveaux sonores élevés peut entraîner des dommages auditifs.

3. TIROIR-DISQUE

Pour insérer un disque, appuyer sur le bouton "Arrêt/Ouverture" [STOP-OPEN] (N° 5) pour ouvrir le tiroir-disque. Placer le CD dans le grand logement circulaire du tiroir, sa surface de lecture transparente vers le bas. L'étiquette doit être sur la face supérieure.

Réappuyer sur "Ouverture" [OPEN] pour fermer le tiroir ou appuyer sur "Lecture/Pause" [PLAY/PAUSE] pour fermer le tiroir et commencer la lecture.

Il est possible de passer les disques CD-3 (CD "singles" de 3 pouces) sans devoir utiliser un adaptateur. Placer le disque dans le tiroir en le centrant dans le petit logement circulaire, l'étiquette sur la face supérieure.

NOTA: Ce lecteur n'a pas été conçu pour être utilisé avec un "disque d'amortissement" placé sur un CD, ni avec deux CD l'un sur l'autre. Il est capable de lire les CD audio, mais non pas les disques identifiés comme des CD-V, DVD, CD-I, CD-ROM OU CD PHOTO.

4. AFFICHAGE (à cristaux liquides)

L'affichage à cristaux liquides fournit des informations concernant les entrées sélectionnées et l'état de lecture du CD et du tuner.

EN MODE CD:

NUMERO DE PISTE. Lors de l'enregistrement, chaque disque est divisé en pistes numérotées. En principe, chaque piste numérotée correspond à une chanson ou à un mouvement symphonique différents, etc ...

Ces numéros de piste, codés sur le disque par le fabricant, sont identifiés sur l'emballage du CD.

En général, la section alphanumérique de l'affichage indique le temps écoulé depuis le début de la piste en cours de lecture. A l'aide du bouton "Affichage" [DISPLAY] (N° 14), il est possible d'obliger l'affichage à indiquer le temps d'écoute qui reste jusqu'à la fin du disque.

Une flèche ►, qui pointe vers la droite et située près du bord gauche de l'affichage, s'allume au cours de la "Lecture" [PLAY].

Deux barres verticales ■■ indiquent que le lecteur est en mode PAUSE.

En mode "Arrêt" [STOP], l'affichage indique à nouveau le nombre de pistes et le temps total de lecture du disque.

"Pas de disque" [NO DISC] s'allume sur l'affichage si aucun disque ne se trouve dans le tiroir, ou bien si le disque chargé dans le tiroir est illisible (sale ou inséré à l'envers).

"Répétition 1" [REPEAT 1] s'allume dans le coin supérieur gauche de l'affichage pendant la lecture répétée d'une seule piste.

"Répétition toutes" [REPEAT ALL] s'allume pendant la lecture répétée du CD entier ou de toutes les pistes préprogrammées.

Aussi bien **"Répétition 1" [REPEAT 1]** que **"Répétition toutes" [REPEAT ALL]** peuvent être activées en appuyant sur le bouton N° 9.

"Total restant" [TOTAL REMAIN] s'allume au centre de l'affichage lorsque vous appuyez sur le bouton "Affichage" [DISPLAY] afin d'afficher le temps d'écoute total qui reste sur le disque.

"Ecoute aléatoire" [RANDOM]. Lorsque le L 40 est en mode "aléatoire", l'affichage indique [RANDOM].

"Programmer" [PROGRAM] s'allume lorsque vous programmez le lecteur de disques pour passer une sélection bien précise de pistes (au moyen des boutons "Mémoriser" [STORE] et "Annuler" [CANCEL]; Numéros 10 + 12). "Programmer" [PROGRAM] s'allume également lors de la lecture préprogrammée d'un CD.

EN MODE TUNER:

En général, la section alphanumérique de l'affichage indiquera le numéro prédéfini et le nom de la station radio lors de la réception d'une station RDS, ou elle indiquera le nom programmé. Si aucun nom n'a été programmé ou s'il s'agit d'une station radio sans RDS, l'affichage indiquera la fréquence de réception en Mégahertz (Mhz).

"Antenne" [ANTENNA] et les barres horizontales juste au-dessous s'allument sur l'affichage pour indiquer la puissance du signal de la station radio captée. Plus de barres sont allumées, plus le signal sera puissant.

Réglage central [Centre Tune], indiqué par un petit point juste au-dessus de **"Tonalité Neutre" [TONE DEFEAT]**, s'allume si le tuner est réglé exactement sur la fréquence centrale de la station radio. **"Réglage central" [Centre Tune]** s'allume également lorsque l'unité reçoit une commande par télécommande.

"RDS", dans le coin supérieur de droite, s'allume lors de la réception d'une station radio transmettant les informations RDS.

REMARQUE:

La fonction RDS dépend entièrement de la capacité de l'émission radio. Beaucoup de stations n'émettent pas encore avec le système RDS. NAD n'offre aucune garantie relativement à la disponibilité du système RDS dans votre localité. Veuillez vérifier auprès de diffuseurs locaux.

GENERALITES:

"Egalisation des tons graves" [BASS EQ] s'allume sur l'affichage si BASS EQ a été sélectionné (N° 15).

"Tonalité Neutre" [TONE DEFEAT] s'allume sur l'affichage si TONE DEFEAT a été sélectionné (n° 13).

RECEPTEUR DE TELECOMMANDE. Un capteur infrarouge, situé sur la partie gauche de la fenêtre d'affichage, reçoit des commandes en provenance de la télécommande. L'espace entre la télécommande et le récepteur doit être dégagé de tout obstacle, sinon la télécommande peut refuser de fonctionner. Un petit point clignotant indique que l'unité a reçu une commande de la télécommande.

5. "Arrêt/Ouverture" [STOP/OPEN]

Appuyer sur ce bouton pour arrêter la lecture du CD, pour annuler tout cycle de répétition et pour remettre la tête de lecture au début du disque. L'affichage se remet à indiquer le nombre de pistes et la totalité du temps d'écoute restant sur le disque.

Réappuyer sur ce bouton pour ouvrir le tiroir-disque; appuyer à nouveau sur ce bouton pour fermer le tiroir.

Lorsque le tiroir est fermé, le lecteur balaye "la table des matières" du disque et affiche le nombre de pistes et la totalité du temps d'écoute sur le disque. Si vous appuyez sur "Lecture" [PLAY] pour fermer le tiroir, l'unité n'indiquera pas ces informations et commencera à passer le CD à partir de la piste 1.

NOTA:

Le tiroir-disque s'ouvre et se ferme à l'aide d'un moteur interne. Ne jamais fermer le tiroir manuellement lorsque l'unité n'est pas alimentée en courant.

TELECOMMANDE:

Sur la télécommande il se trouve également un bouton "Arrêt" [STOP] qui a presque la même fonction que le bouton sur la Face Parlante du L 40, mais ce bouton ne sert pas à ouvrir ou fermer le tiroir-disque.

6. "Lecture/Pause" [PLAY/PAUSE]

Appuyer sur le bouton "Lecture/Pause" [PLAY/PAUSE] pour commencer la lecture du CD; le mode "Lecture" [PLAY] est indiqué sur l'affichage par une flèche vers la droite ►

Réappuyer sur le bouton "Lecture/Pause" [PLAY/PAUSE] pour arrêter temporairement la lecture (maintenant le lecteur de disques est en mode "Pause" [PAUSE], qui est indiqué sur l'affichage par deux barres verticales ■■).

Pour reprendre la lecture à l'endroit exact où se trouvait la tête au moment de la pause, réappuyer sur "Lecture/Pause" [PLAY/PAUSE]. Si vous ne souhaitez pas reprendre la lecture au même endroit, vous pouvez utiliser les commandes "Saut/Présélection" [SKIP/PRESET] (N° 7) ou "Recherche/Réglage" [SEARCH/TUNE] (N° 17) pour remettre la tête de lecture à un endroit de départ différent avant de réappuyer sur "lecture" [PLAY].

Sur la télécommande il se trouve également un bouton "Lecture/Pause" [PLAY/PAUSE]. Ce bouton a les mêmes fonctions que le bouton sur la Face Parlante.

7. "Saut/Présélection" [SKIP/PRESET]

La commande "Saut/Présélection" [SKIP/PRESET] active en fait deux boutons de part et d'autre de la commande, indiqués par deux petits points surélevés. Pour les activer, appuyer sur l'un ou l'autre point souhaité; le point gauche sert à faire un "Saut en arrière" [SKIP BACK] ◀◀; le point droit sert à faire un "Saut en avant" [SKIP FORWARD] ▶▶.

EN MODE CD:

"Saut en arrière" [SKIP BACK] ◀◀

Le bouton "Saut" [SKIP] ◀◀ fera sauter le laser en arrière jusqu'au début de chaque piste numérotée du disque. Une première pression sur le bouton entraîne un saut en arrière jusqu'au début de la piste

en cours. Appuyer rapidement deux fois sur "Saut" [SKIP] ◀◀ pour faire un saut en arrière jusqu'à la piste précédente. Une pression continue sur ce bouton fera sauter la tête de lecture successivement aux pistes précédentes, jusqu'à ce que le bouton soit relâché.

"Saut en avant" [SKIP FORWARD] ▶▶

Au cours de la lecture, le fait d'appuyer sur "Saut en avant" [SKIP] ▶▶ fait sauter le laser jusqu'au début de la piste suivante et il commencera la lecture à cet endroit. Pour entendre chaque chanson sur le disque, appuyer sur "Lecture" [PLAY] et tapoter ensuite sur "Saut" [SKIP] ▶▶ après avoir entendu quelques secondes de chaque piste. Une pression continue fera sauter le lecteur successivement aux pistes ayant des numéros plus grands jusqu'à ce que le bouton soit relâché.

EN MODE TUNER:

"Présélection" [PRESET]

Appuyer sur "Présélection" [PRESET] haut ou bas pour sélectionner une des stations radio FM prédéfinies. Chaque fois que ces boutons sont activés, l'affichage indiquera le numéro prédéfini et la fréquence prédéfinie, ou le nom de la station s'il s'agit d'une radio RDS.

REMARQUE:

La fonction RDS dépend entièrement de la capacité de l'émission radio. Beaucoup de stations n'émettent pas encore avec le système RDS. NAD n'offre aucune garantie relativement à la disponibilité du système RDS dans votre localité. Veuillez vérifier auprès de diffuseurs locaux.

Sur la télécommande se trouvent également des boutons "Saut/Présélection" [SKIP/PRESET]. Ces boutons ont les mêmes fonctions que les boutons sur la Face Parlante.

8. SELECTEUR D'ENTREE

La commande "Sélecteur d'entrée" [INPUT SELECTOR] active en fait deux boutons de part et d'autre de la commande, indiqués par des petits points surélevés. Appuyer sur le point souhaité pour l'activer.

Une pression sur le côté droit de la commande entraîne le L 40 à faire défiler ses entrées dans la séquence suivante: CD > Aux > Tape "Magnétophone" > Tuner > CD.

Une pression sur le côté gauche de la commande entraîne le L 40 à faire défiler ses entrées en sens inverse: CD > Tuner > Tape "Magnétophone" > Aux > CD.

Appuyer successivement sur un des boutons jusqu'à ce que la source souhaitée soit affichée.

TELECOMMANDE:

La télécommande est pourvue de boutons différents pour chaque entrée. Appuyer sur le bouton qui correspond à l'entrée souhaitée.

9. Répétition [REPEAT]

Ce bouton active un cycle infini de répétitions. Appuyer une fois sur ce bouton pour sélectionner le mode "Répétition 1" [REPEAT 1], qui répète sans arrêt la piste en cours de lecture.

En appuyant à nouveau sur le bouton "Répétition" [REPEAT], vous sélectionnez le mode "Répétition Toutes" [REPEAT ALL]. Dans ce mode, le disque entier ou une sélection de pistes préprogrammée est lue du début jusqu'à la fin, sans arrêt. En appuyant sur le bouton "Répétition" [REPEAT] une troisième fois, le cycle de répétition s'annule et l'unité résume son fonctionnement normal.

10. "Mémoriser" [STORE]

EN MODE CD:

Le récepteur CD L 40 vous permet de préprogrammer le lecteur de disques pour éviter les pistes du CD que vous ne désirez pas entendre (programmation négative). La programmation du lecteur de disques ne peut s'effectuer que s'il y a un CD dans le tiroir-disque et lorsque le lecteur est en mode "Arrêt" [Stop].

Pour activer le mode "Programmer" [Program], appuyer sur "mémoriser" [STORE]. Utiliser les boutons "Saut/Présélection" [SKIP/PRESET] pour choisir la piste que vous ne souhaitez pas lire; le numéro de piste clignote sur l'affichage. Appuyer sur "Annuler" [CANCEL] (N° 12) pour confirmer la piste que vous souhaitez effacer. L'affichage confirme cette première annulation de piste en indiquant "P- -01".

Sélectionner la piste suivante que vous souhaitez éviter et appuyer à nouveau sur "Annuler" [CANCEL]; l'affichage indique "P- -02". Répéter ce processus jusqu'à ce que toutes les pistes à éviter aient été sélectionnées.

Après avoir sélectionné les pistes que vous ne souhaitez pas lire, appuyer sur le bouton "lecture" [PLAY] afin de commencer la lecture de toutes les pistes souhaitées. Au cours de "Programmer Lecture" [Program Play], "[PROGRAM]" sera allumé sur l'affichage.

NOTA:

Le fait d'appuyer sur "Arrêt/Ouverture" [STOP/OPEN] (N° 5) effacera un programme et désactivera le mode "Programmer" [Program]. Le choix d'une source différente (tel que le tuner, par exemple) effacera également tout programme et désactivera le mode "Programmer" [Program].

EN MODE TUNER:

Le récepteur CD L 40 vous permet de mettre en mémoire jusqu'à 30 stations radio (valeurs prédéfinies).

Afin de mémoriser une station comme valeur prédéfinie, il est d'abord nécessaire de se régler sur la station radio souhaitée au moyen des boutons de commande "Recherche/Réglage" [SEARCH/TUNE] (N° 17).

Appuyer sur le bouton "Mémoriser" [STORE].

L'affichage indiquera le numéro de présélection le plus bas disponible pendant env. 6 secondes.

Pendant ces 6 secondes, appuyer à nouveau sur "Mémoriser" [STORE] afin de mémoriser la station sous ce numéro prédéfini.

Si vous souhaitez utiliser un numéro prédéfini différent, utiliser les boutons de commande "Saut/Présélection" [SKIP/PRESET] (N° 7) afin de sélectionner le numéro souhaité avant d'appuyer à nouveau sur "mémoriser" [store]. Veuillez noter que seuls les numéros de présélection disponibles seront affichés; si vous souhaitez utiliser un numéro de présélection qui est déjà mémorisé, il vous sera nécessaire de l'annuler d'abord (voir la section "Annuler" [CANCEL], N° 12).

NOTA:

En outre de la station radio même, le L 40 se rappellera si Mono (N° 16) avait été sélectionné. Ceci est particulièrement intéressant si vous souhaitez souvent écouter une station radio faible. Le processus est identique à celui décrit ci-dessus, mais après avoir sélectionné le numéro prédéfini souhaité, il sera nécessaire de sélectionner MONO (N° 16); "STEREO" s'éteindra sur l'affichage. Appuyer sur "Mémoriser" [STORE].

NOTA:

Le mode "Mémoriser" [Store] s'annulera automatiquement après env. 5 secondes si aucun autre bouton n'est activé.

11. Aléatoire [RANDOM]

EN MODE CD:

Une pression sur le bouton "Aléatoire" [RANDOM] activera la lecture de toutes les pistes du CD en ordre aléatoire. Appuyer sur "Aléatoire" [RANDOM] en mode "Arrêt" [Stop] ou "Lecture" [Play] et le L 40 commencera à lire les pistes du CD en ordre aléatoire jusqu'à ce que toutes les pistes aient été lues.

Appuyer à nouveau sur le bouton "Aléatoire" [RANDOM] pour annuler la lecture aléatoire et pour remettre le L 40 en mode "Lecture" [Play] normal.

Lorsque le L 40 se trouve en mode aléatoire [random], "RANDOM" sera affiché sur l'affichage.

"Aléatoire" [RANDOM] peut être utilisé conjointement avec le mode "Répétition Toutes" [REPEAT ALL]. Le L 40 entamera un autre cycle de lecture aléatoire dès qu'il aura terminé un cycle de lecture aléatoire.

NOTA:

"Aléatoire" [RANDOM] ne peut pas être utilisé avec "Programmer Lecture" "[Program Play]" (voir la section N° 10).

EN MODE TUNER:

Beaucoup de personnes ont des difficultés à mémoriser quelle fréquence appartient à quelle station radio. Afin d'éviter cette confusion, vous pouvez

donner à chaque valeur prédéfinie un nom de jusqu'à huit caractères. Lorsque vous demandez cette valeur prédéfinie, le nom sera affiché au lieu de la fréquence. Par exemple, 91.30 correspond à la BBC Radio 3; dans ce cas, la valeur prédéfinie peut être programmée pour afficher "BBC R3" à chaque demande.

Vous pouvez désigner la valeur prédéfinie de deux manières; soit nommer et mémoriser simultanément la station sous une valeur prédéfinie, soit nommer une valeur prédéfinie déjà mémorisée.

POUR DESIGNER ET MEMORISER UNE VALEUR PREDEFINIE

Se régler sur la station radio souhaitée au moyen des boutons de commande "Recherche/Réglage" [SEARCH/TUNE] (N° 17). Appuyer sur le bouton "Répétition" [REPEAT] et, à part une ligne clignotante, l'affichage sera vierge. Dans le temps prédéfini de 10 secondes vous êtes à même d'entrer le premier caractère souhaité.

Sélectionner le caractère en utilisant un des deux boutons de commande "Saut/Présélection" [SKIP/RESET] (N° 7). Une pression sur le bouton de commande droit "Saut/Présélection" [SKIP/RESET] fera défiler tous les caractères disponibles en ordre numérique et alphabétique: (espace) >0>1>2>3 jusqu'à 9 >A>B>C jusqu'à Z> (espace) 0>1>2> et ainsi de suite. Appuyer sur le bouton de commande "Saut/Présélection" gauche [SKIP/PRESET] pour faire défiler les caractères en ordre inverse: Z>Y>X jusqu'à A>9 jusqu'à 3>2>1>0> (espace) >Z>Y>X> et ainsi de suite.

Utiliser le bouton de commande droit "Recherche/Réglage" [SEARCH/TUNE] (N° 17) pour aller jusqu'à la position droite suivante afin d'entrer un deuxième caractère et de répéter la sélection du caractère suivant les directives ci-dessus.

Entrer tous les autres caractères au moyen des boutons de commande "Saut/Présélection" [SKIP/PRESET] et "Recherche/Réglage" [SEARCH/TUNE] en suivant les directives ci-dessus.

Dès que tous les caractères ont été enregistrés correctement, appuyer sur "Mémoriser" [STORE] (N° 10).

Appuyer à nouveau sur "Mémoriser" [STORE] afin d'accorder un numéro prédéfini (voir la section 10).

POUR DESIGNER UNE VALEUR PREDEFINIE DEJA MEMORISEE

Appeler la valeur prédéfinie que vous souhaitez nommer. Appuyer sur le bouton "Répétition" [REPEAT] et, à part la ligne clignotante, l'affichage sera vierge. Dans un temps prédéfini de 10 secondes vous êtes à même d'entrer le premier caractère souhaité.

Sélectionner le caractère en utilisant un des deux boutons de commande "Saut/Présélection" [SKIP/RESET] (N° 7). Une pression sur le bouton de commande droit "Saut/Présélection" [SKIP/RESET]

fera défiler tous les caractères disponibles en ordre numérique et alphabétique: (espace) >0>1>2>3 jusqu'à 9 >A>B>C jusqu'à Z> (espace) >0>1>2> et ainsi de suite. Appuyer sur le bouton de commande "Saut/Présélection" gauche [SKIP/PRESET] pour faire défiler les caractères en ordre inverse: Z>Y>X jusqu'à A>9 jusqu'à 3>2>1>0> (espace) >Z>Y>X> et ainsi de suite.

Utiliser le bouton de commande droit "Recherche/Réglage" [SEARCH/TUNE] (N° 17) pour aller jusqu'à la position droite suivante afin d'entrer un deuxième caractère et de répéter la sélection du caractère suivant les directives ci-dessus.

Entrer tous les autres caractères au moyen des boutons de commande "Saut/Présélection" [SKIP/PRESET] et "Recherche/Réglage" [SEARCH/TUNE] suivant les directives ci-dessus.

Dès que tous les caractères ont été entrés correctement, appuyer sur "Mémoriser" [STORE] (N° 10). Vous avez accordé un nom à la valeur prédéfinie.

NOTA:

Il est toujours possible de changer un nom, en utilisant le même processus tel qu'il est décrit dans "Désigner une valeur prédéfinie déjà mémorisée". Au lieu de voir une ligne vierge, le premier caractère commencera à clignoter sur l'affichage dès que "Répétition" [REPEAT] est activée; il suffit de le "superposer" en sélectionnant un nouveau caractère.

NOTA:

Il n'est pas possible de renommer une station radio RDS; le nom transmis (PS) sera mémorisé et affiché automatiquement.

12. "Annuler" [CANCEL] EN MODE CD:

Le bouton "Annuler" [CANCEL] fonctionne avec le bouton "Mémoriser" [STORE] (N° 10) et vous permet d'effacer des pistes que vous ne souhaitez pas écouter.

Voir la section "Mémoriser" [STORE] (N° 10) pour savoir comment vous pouvez programmer et activer "Programmer Lecture" [Program Play].

EN MODE TUNER:

Afin d'effacer une certaine valeur prédéfinie, sélectionner la valeur prédéfinie et appuyer sur "Annuler" [CANCEL]; le numéro prédéfini sur l'affichage commence à clignoter. Dans le temps prédéfini de 6 secondes, appuyer à nouveau sur "Annuler" [CANCEL]. Afin de confirmer que le numéro prédéfini est bien disponible, l'affichage indiquera le message: "Valeur prédéfinie libre" [PRESET CLEAR].

13. "Tonalité Neutre" [TONE DEFEAT]

Le bouton "Tonalité Neutre" [TONE DEFEAT] évite la section de réglage de tonalité du L 40. Si vous êtes habitué à laisser les commandes de tonalité en position médiane (12 heures), il est conseillé d'éviter

tout à fait la section de réglage de tonalité en appuyant sur le bouton "Tonalité Neutre" [TONE DEFEAT]. Pour indiquer que "Tonalité Neutre" [TONE DEFEAT] est activé, "Tonalité Neutre" [TONE DEFEAT] s'allume sur l'affichage. Le simple fait d'éviter toute l'électronique de réglage de tonalité assure une légère amélioration de la qualité audio et une réponse-fréquence non altérée.

14. "Affichage" [DISPLAY]

EN MODE CD:

Le bouton "Affichage" [DISPLAY] dispose de trois modes, tels que:

"Temps" [TIME]: indique le temps écoulé, en minutes et en secondes, depuis le début de la piste en cours. (Ceci est le réglage "prédéfini", qui est sélectionné automatiquement lorsque le lecteur de disques est mis sous tension.)

"Restant" [REMAIN]: indique la totalité du temps qui reste jusqu'à la fin du disque et la totalité de pistes qui restent (y compris la piste en cours), ou la totalité de pistes et le temps qui restent au cours de "Programmer Lecture" [Program Play].

TOTAL: La totalité de pistes et de temps d'écoute disponible sur le disque.

EN MODE TUNER:

Lorsque vous recevez une station radio RDS, le bouton "affichage" [DISPLAY] fait défiler trois modes:

Lorsque vous êtes réglé sur une station radio RDS, le nom de la station sera affiché d'office (RDS PS).

Appuyer une fois sur le bouton "Affichage" [DISPLAY] pour afficher le Texte Radio (RDS RT). Les informations Texte Radio peuvent indiquer le programme ou le nom du speaker, le nom de la chanson qui passe etc... Le texte défile en continu sur l'affichage. Si la station ne transmet pas de Texte Radio, l'affichage indiquera "pas de texte" [NO TEXT].

Appuyer à nouveau sur le bouton pour afficher la fréquence de la station et la puissance du signal.

Appuyer une fois encore pour retourner à l'affichage prédéfini indiquant le nom de la station radio (RDS PS).

Si vous appuyez sur le bouton "affichage" [DISPLAY] lorsque vous êtes réglé sur une station radio sans RDS, l'affichage indiquera le message "pas de RDS" ["NO RDS"] pendant 5 secondes avant de retourner à l'affichage normal.

REMARQUE:

La fonction RDS dépend entièrement de la capacité de l'émission radio. Beaucoup de stations n'émettent pas encore avec le système RDS. NAD n'offre aucune garantie relativement à la disponibilité du système RDS dans votre localité. Veuillez vérifier auprès de diffuseurs locaux.

15. "Egalisation des Tons Graves" [BASS EQ]

Les petits haut-parleurs produisent en principe moins bien les sons très graves étant donné leurs contraintes physiques. La caractéristique "Egalisation des Tons Graves" [BASS EQ] corrige cet amortissement, et augmente de façon considérable la réponse utile des haut-parleurs. Naturellement les très basses fréquences ne sont pas présentes dans toutes les pièces de musique ou tous les enregistrements, et l'effet de "l'Egalisation des tons graves" [BASS EQ] n'est pas toujours évident. Mais pour la musique qui contient beaucoup de sons graves, l'on remarque sans aucun doute une amélioration spectaculaire.

Appuyer sur le bouton "Egalisation des Tons Graves" [BASS EQ] pour l'activer; "Egalisation des Tons Graves" [BASS EQ] s'allume sur l'affichage.

Appuyer à nouveau sur le bouton "Egalisation des Tons Graves" [BASS EQ] pour le désactiver.

NOTA:

Le circuit "Egalisation des Tons Graves" [BASS EQ] comprend également un filtre infrasonore qui atténue la réponse au-dessous de 25 Hz afin d'éviter une amplification inappropriée des signaux non musicaux au-dessous de la plage audio. Pour les pièces de musique avec des tons extrêmement graves, il est possible de surmoduler soit l'amplificateur ou les haut-parleurs du L 40. Cela donne de la distorsion. Dans ce cas il est nécessaire de désactiver "l'Egalisation des Tons Graves" [BASS EQ] et/ou de baisser le volume jusqu'à ce que la distorsion disparaisse.

16. MONO

Si votre unité reçoit un signal FM puissant, votre NAD L 40 adoptera automatiquement Stéréo FM, indiqué sur l'affichage par le voyant STEREO, et le tuner assurera le silencieux de recherche de stations.

Les signaux stéréo faibles, toutefois, peuvent engendrer beaucoup de sifflements de fond. Le fait de changer en mode Mono, en appuyant sur le bouton MONO, annulera la plupart ou tout ce bruit de fond. Appuyer à nouveau sur ce bouton MONO pour regagner le fonctionnement Auto Stéréo FM.

Il est possible d'ajouter l'état MONO à une valeur prédéfinie. Ainsi, si vous écoutez souvent une station à signal faible, vous n'aurez pas besoin d'entrer le MONO manuellement chaque fois. Voir la section "Mémoriser" [STORE] pour obtenir plus d'informations.

NOTA:

Le MONO fonctionne uniquement sur la section tuner du L 40. Avec la sélection du CD, TAPE (Magnétophone) ou AUX, le bouton MONO ne fonctionne pas.

17. “Recherche/Réglage” [SEARCH/TUNE]**EN MODE CD:****“Recherche en arrière” [SEARCH BACK ◀◀]**

Le bouton “Recherche ◀◀ [SEARCH ◀◀] oblige la tête de lecture optique à lire l’enregistrement en arrière à grande vitesse. Ce bouton ne fonctionne que lorsque le lecteur est en mode “Lecture” [PLAY] ou PAUSE. Après une commande “d’Arrêt” [STOP], ou après avoir chargé un nouveau disque, il est nécessaire d’appuyer sur “Lecture” [PLAY] avant que le circuit de recherche ne puisse fonctionner.

Si le balayage est activé alors que le lecteur est en mode PAUSE, le balayage se fait dans le silence, à une vitesse 15 à 20 fois supérieure à la vitesse de lecture normale. Si le balayage est activé alors que le lecteur est en mode “Lecture” [PLAY], la musique s’entend sous une forme fragmentée au cours du balayage. Utiliser ce “balayage audible” pour positionner la tête de façon précise, à l’endroit où vous souhaitez reprendre la lecture.

Si vous faites une recherche en arrière jusqu’au début du disque pendant la lecture de la piste 1, le lecteur retournera automatiquement en mode de lecture normale.

“Recherche en avant ▶▶ ” [SEARCH FORWARD ▶▶]

Le bouton “Recherche en avant ▶▶ ” [SEARCH FORWARD ▶▶] oblige la tête de lecture optique à lire l’enregistrement en avant à grande vitesse. Le comportement de cette fonction est semblable à la “Recherche en arrière ◀◀ [SEARCH ◀◀].

Si vous effectuez une recherche en avant jusqu’à la fin du disque pendant la lecture de la dernière piste, la recherche s’arrête et l’affichage du temps indique la table des matières. (Aucun mode de “rebouclage” n’est prévu.)

EN MODE TUNER:

Le L 40 vous permet de vous régler sur une station radio en deux modes, manuellement ou chercher automatiquement. Pour chercher automatiquement: Appuyer soit sur le bouton ◀◀ ou ▶▶ sur la commande “Recherche/Réglage” [SEARCH/TUNE] pendant plus d’une seconde et le relâcher pour régler plus haut ou plus bas sur la bande de fréquence. Le tuner cherchera automatiquement plus haut ou plus bas sur la bande FM afin de trouver la première station émettant un signal suffisamment puissant. Dès qu’il aura trouvé un signal suffisamment puissant, il s’arrête et se réglera de façon précise sur la station radio. Le voyant “Réglage Central” [Centre Tune] (un simple point sur l’affichage) s’allume lorsqu’une station est réglée correctement.

Réglage manuel d’une station radio:

Appuyer soit sur le bouton ◀◀ ou ▶▶ de la commande “Recherche/Réglage” [SEARCH/TUNE] afin de régler plus haut ou plus bas sur la bande de fréquence. Le tuner cherchera automatiquement plus haut ou plus bas sur la bande FM. Dès qu’il approche la fréquence souhaitée, appuyer brièvement sur l’autre côté de la commande “Recherche/Réglage” [SEARCH/TUNE] afin d’arrêter la recherche.

Chaque nouvelle pression brève sur l’un des boutons “Recherche/Réglage” ◀◀ ou ▶▶ [SEARCH/TUNE] oblige le tuner à faire un petit pas de réglage de 0,025MHz.

Le voyant “Réglage Central” [Centre Tune] (un simple point sur l’affichage) s’allume pour indiquer que la station est réglée correctement.

NOTA:

Parfois le signal radio est si faible que le niveau du signal tombe au-dessous du seuil du silencieux de recherche (en général, les circuits du silencieux de recherche atténuent le bruit qui s’entend entre les stations radio). Par conséquent, la station radio ne sera pas audible même si elle est réglée sur la fréquence exacte. Dans ce cas, il est nécessaire d’appuyer sur le bouton MONO (N° 16) afin de couper le silencieux de recherche.

18. COMMANDES DES TONS GRAVES [BASS] ET AIGUS [TREBLE]

Les commandes des tons graves [BASS] et aigus [TREBLE] ajustent l’équilibre tonal de votre système. La position médiane (12 heures) est “plate” sans amplification ni atténuation et un léger déclic peut être ressenti dans le mouvement du bouton à cet endroit. Tourner les commandes en sens horaire pour augmenter, ou en sens inverse horaire pour diminuer le niveau des tons graves [bass] ou aigus [treble].

Les commandes de tonalité n’affecteront pas les enregistrements effectués en provenance des sorties “Magnétophone” [TAPE] mais affecteront bien le signal allant vers la sortie de Préamplification [Pre Out].

NOTA:

Veiller que la “Tonalité Neutre” [TONE DEFEAT] (N° 13) n’est pas activée puisque les commandes de tonalité ne fonctionneront pas dans ce cas (“Tonalité Neutre” [TONE DEFEAT] s’allume sur l’affichage).

19. “Equilibrer” [BALANCE]

La commande “Equilibrer” [BALANCE] règle les niveaux relatifs des haut-parleurs gauche et droit. La position médiane (12 heures) assure un niveau égal pour les voies gauches et droites. Un léger déclic peut être ressenti dans le mouvement du bouton à cet endroit.

En tournant le bouton en sens horaire, on déporte l’équilibre vers la droite. En tournant le bouton en sens inverse horaire, on déporte l’équilibre vers la gauche.

La commande "Équilibrer" [BALANCE] n'affecte pas les enregistrements en provenance des sorties "Magnétophone" [TAPE] mais affectera bien le signal allant vers la sortie de préamplification [Pre Out].

20. VOLUME

La commande de VOLUME sonore règle le volume global des signaux envoyés aux haut-parleurs.

Sur la télécommande se trouvent deux boutons pour le volume. Appuyer sur le bouton "haut" [UP] pour augmenter le volume; appuyer sur "bas" [DOWN] pour diminuer le volume. Lorsque vous utilisez soit le bouton de commande du volume [DOWN] ou [UP] sur la télécommande, l'affichage indiquera respectivement "volume bas" [VOL DOWN] ou "volume haut" [VOL UP]. Le bouton de commande de volume motorisé sur la Face Parlante montera ou descendra en même temps.

NOTA:

La commande du volume n'affecte pas les enregistrements provenant de la sortie "Magnétophone" [TAPE] mais affectera bien le signal allant vers la sortie de préamplification [Pre Out].

TELECOMMANDE

MISE EN PLACE ET REMPLACEMENT DES PILES

La télécommande fonctionne avec deux piles de 1,5 volts, type AAA (c'est-à-dire des piles de référence UM-4 ou IEC RO3). Il est conseillé d'utiliser des piles alcalines pour une longévité maximale.

Pour ouvrir le compartiment des piles, il faut poser le doigt sur le léger creux à l'arrière de la télécommande, et appliquer une pression contre le bord souple du couvercle des piles puis tirer le couvercle vers le haut. Insérer des piles neuves, en les orientant conformément au croquis se trouvant à l'intérieur du compartiment. Les ressorts hélicoïdaux doivent toucher l'extrémité négative (-) de chaque pile. Repousser le couvercle du compartiment des piles et appuyer doucement jusqu'à ce qu'il s'enclenche.

Dans certains cas, un mauvais fonctionnement peut être dû à une légère corrosion ou à des traces grasses laissées par les doigts sur les contacts des piles. Retirer les deux piles, frotter les contacts métalliques aux deux extrémités de chaque pile avec un chiffon propre ou une gomme à crayon, puis réinsérer les piles en faisant attention de bien les orienter conformément au croquis se trouvant à l'intérieur du compartiment des piles.

Bouton "Veille" [STAND-BY] (vert):

Ce bouton permute l'unité entre le mode marche et le mode "Veille" [Stand-by] et vice versa. Appuyer à nouveau sur ce bouton pour mettre l'unité sur "marche" [ON] à partir de "veille" [stand-by].

NOTA:

Le mode "Veille" [stand-by] est indiqué par un voy-

ant orange juste au-dessus du bouton vert "Marche/Arrêt" [POWER] sur la face Parlante (N° 1). En mode "Veille" [Stand-by], le L 40 consomme très peu de courant. Il est, toutefois, conseillé de couper l'alimentation de l'unité entièrement si elle va rester inutilisée pendant un certain temps. Pour couper l'alimentation, appuyer sur le bouton "Marche/Arrêt" [POWER] sur la face Parlante (N° 1); tous les voyants s'éteindront.

Boutons de VOLUME "haut" UP et "bas" DOWN:

Sur la télécommande se trouvent deux boutons pour régler le volume. Appuyer sur le bouton "haut" [UP] pour augmenter le volume; appuyer sur "bas" [DOWN] pour diminuer le volume. Lorsque vous utilisez soit le bouton de commande du volume [DOWN] ou [UP] sur la télécommande, l'affichage indiquera respectivement "volume bas" [VOL DOWN] ou "volume haut" [VOL UP]. Le bouton de commande de volume motorisé sur la Face Parlante montera ou descendra en même temps.

Bouton "Silencieux de recherche" [MUTE]:

Si vous appuyez sur ce bouton, le volume global réduira de façon considérable (de 20dB). Ceci est très utile pour réduire rapidement le volume pour répondre au téléphone, par exemple. Lorsque le silencieux de recherche est activé, l'affichage indique "Silencieux de recherche" [MUTE], peu importe le mode actuel.

Appuyer à nouveau sur "Silencieux de recherche" [MUTE] afin de remettre le niveau de volume d'origine.

Bouton "Arrêt" [STOP]:

Appuyer sur ce bouton pour arrêter la lecture du CD ou pour remettre le "Programmer Lecture" [Program Play] à zéro. Sur la face parlante se trouve également un bouton "Arrêt" [STOP] qui a presque la même fonction que le bouton sur la télécommande. Toutefois, ce bouton ouvre et ferme également le tiroir-disque.

Boutons CD, TUNER, AUX et "Magnétophone" TAPE:

Contrairement à la face parlante, la télécommande a des boutons différents pour chaque entrée. Appuyer sur le bouton qui correspond à l'entrée souhaitée.

Les boutons "Lecture/Pause" [PLAY/PAUSE], "Saut/Présélection" [SKIP/PRESET] et "Affichage" [DISPLAY] fonctionnent de la même manière que ceux ayant la même désignation sur la face parlante de l'unité (respectivement les n° 6, 7 et 14 sur le plan de la face parlante).

MAINTENANCE

Ouvrir régulièrement le tiroir-disque et nettoyer avec un chiffon un peu humide afin d'enlever les poussières.

MANIPULATION DES COMPACT DISC

Manipuler les Compact Disc avec soin. La lecture du disque ne sera pas affectée par de petites particules de poussière, par quelques légères traces de doigts ou de petites rayures. Mais les rayures profondes ou une couche épaisse de traces de doigts grasses peuvent empêcher le lecteur de suivre les pistes du disque. (A propos, bien que le laser de suivi de la piste "lise" le disque à travers son côté transparent, la surface des données proprement dite est imprimée juste en dessous de l'étiquette, et n'est protégée que d'une mince couche de laque. Cela veut dire qu'une rayure qui traverse l'étiquette peut abîmer le disque de manière plus sérieuse qu'une rayure située sur la surface "de lecture" transparente. Il faut donc manipuler les deux faces du disque avec précaution).

Des rayures profondes ou d'importantes traces de doigts peuvent provoquer un mauvais suivi de la piste par le lecteur (ce qui se manifeste par des sauts en avant, ou la répétition d'une même partie). Une détérioration moins importante peut provoquer de très courtes occurrences de bruit de haute fréquence. Les circuits de suivi de piste et de correction d'erreurs sont, sur ce lecteur CD NAD, d'une sophistication peu courante, et assurent un suivi des pistes précis sur des disques défectueux que d'autres lecteurs sont incapables de lire. Cependant, il faut toujours respecter les Compact Disc et ne jamais les manipuler sans faire attention.

Le meilleur moyen de tenir ces disques est de les prendre uniquement par les bords. Une autre méthode sûre consiste à passer un doigt dans le trou central, et à utiliser le pouce pour maintenir le bord du disque.

Lorsqu'il n'est pas utilisé, chaque disque doit être conservé dans son boîtier de stockage en plastique. Pour ouvrir un boîtier de CD standard en plastique, de type Philips, tenir le haut et le bas du boîtier entre le pouce et les doigts de la main gauche et prendre ensuite les bords droit et gauche avec les doigts et le pouce de la main droite; ouvrir alors le boîtier en tirant avec le pouce de la main droite.

Le disque est maintenu en place dans son boîtier par un moyeu élastique en son centre. Pour sortir le disque, appuyer sur le moyeu avec un doigt pour le dégager, et le retirer ensuite en tenant ses bords entre le pouce et les doigts. Pour remettre le disque dans le boîtier, il suffit d'aligner son trou central avec le moyeu, et d'appuyer sur le disque pour l'engager sur ce dernier.

NETTOYAGE DES DISQUES

Pour nettoyer les disques sales, il suffit de les essuyer avec un chiffon doux, sec ou humecté d'eau. NE PAS utiliser de produit destiné au nettoyage des disques 33-tours traditionnels (solutions de nettoyage, pulvérisateurs, chiffons traités ou préparations

antistatiques), ni un quelconque solvant chimique (alcool, benzène, etc...). Un disque très sale peut être nettoyé sous une douchette d'eau tiède, avec une petite quantité de liquide vaisselle, puis essuyé avec une serviette propre et douce.

Lors du nettoyage du disque, n'appliquer que des mouvements RADIAUX (depuis le centre vers le bord). Ne jamais appliquer un mouvement d'essuyage circulaire comme pour le nettoyage des disques 33-tours traditionnels, car tout essuyage comporte un risque de rayure. Une rayure radiale sera la moins préjudiciable, puisqu'elle n'affectera qu'une petite partie de chaque piste circulaire, entièrement corrigible par les circuits de correction d'erreurs incorporés dans le lecteur. Par contre, une rayure circulaire qui suit une piste de données peut détériorer un segment de données long et continu, au point de rendre la correction impossible.

AU SUJET DU LASER

Le lecteur de Compact Disc utilise un laser à diodes semi-conductrices, monté sur un servomécanisme de suivi de piste pour la lecture du disque. Le laser éclaire la piste de trous microscopiques représentant les bits de données numériques, alors que des diodes photosensibles détectent la lumière réfléchie du disque et la convertissent en un signal électronique; ce signal est ensuite décodé pour récupérer la forme d'onde musicale de chaque voie stéréophonique.

Il est impossible de voir fonctionner le laser, car il fonctionne sur une longueur d'onde de 7800 Angströms, ce qui correspond aux infrarouges invisibles à l'oeil humain.

Le lecteur de Compact Disc est totalement sûr, et peut être utilisé par des enfants. Le laser fonctionne avec une puissance très faible, de plus il est caché à l'intérieur du mécanisme du lecteur. Même lorsque le lecteur est démonté, le laser reste scellé dans un dispositif optique qui oblige sa lumière à se focaliser à une distance de seulement 1 mm de la lentille, puis à diverger très rapidement de manière à diminuer son intensité à un niveau négligeable.

DÉPISTAGE DES ERREURS

SYMPTÔME	CAUSE POSSIBLE	CORRECTION
<ul style="list-style-type: none"> IL'unité n'est pas alimentée en courant lorsque le bouton "Marche/Arrêt" POWER es mis sur "Marché" ON. 	<ul style="list-style-type: none"> La fiche est mal ou pas connectée à la prise secteur murale. Le courant n'est pas mis. 	<ul style="list-style-type: none"> Bien enfoncez la fiche dans la prise secteur murale.
<ul style="list-style-type: none"> La lecture du disque ne commence pas. 	<ul style="list-style-type: none"> Le disque est chargé à l'envers. Le disque est trop sale. 	<ul style="list-style-type: none"> Recharger le disque avec l'étiquette vers le haut. Nettoyer le disque.
<ul style="list-style-type: none"> Pas de son. 	<ul style="list-style-type: none"> Mauvaise connexion des câbles audio. La station n'est pas sélectionnée ou le signal est faible. 	<ul style="list-style-type: none"> Vérifier les lignes entrée et les connexions des haut-parleurs du L 40. Régler à nouveau la sélection de la station.
<ul style="list-style-type: none"> Coupe-circuit thermique. 	<ul style="list-style-type: none"> Mettre hors tension et réduire le volume. Mettre sous tension dès que l'unité s'est refroidie. 	<ul style="list-style-type: none"> Mettre sous tension dès que l'unité s'est refroidie. Le fusible interne a sauté; consulter votre concessionnaire.
<ul style="list-style-type: none"> Pas de son sur une voie. 	<ul style="list-style-type: none"> Le réglage du volume n'est pas équilibré. Le cordon d'entrée est débranché ou endommagé. 	<ul style="list-style-type: none"> Centrer la commande [balance] "équilibrer" en position médiane. Vérifier les câbles et les connexions.
<ul style="list-style-type: none"> Le son fait des sauts. 	<ul style="list-style-type: none"> Le L 40 est soumis à des vibrations ou des chocs. physiques provenant de sources externes. 	<ul style="list-style-type: none"> Changer l'endroit d'installation.
<ul style="list-style-type: none"> La télécommande ne fonctionne pas. 	<ul style="list-style-type: none"> Les piles de la télécommande sont vides. Obstacle qui gêne le capteur du lecteur. 	<ul style="list-style-type: none"> Changer les piles. Enlever tous les objets qui se trouvent directement devant la fenêtre de l'affichage.
<ul style="list-style-type: none"> Bourdonnements. 	<ul style="list-style-type: none"> Connexion de câble desserrée. 	<ul style="list-style-type: none"> Vérifier les connexions des câbles.
<ul style="list-style-type: none"> Tons graves [bass] faibles; image stéréo diffuse. 	<ul style="list-style-type: none"> Les haut-parleurs connectés aux amplificateurs de puissance sont hors phase. 	<ul style="list-style-type: none"> Vérifier les connexions "+" et "-" des deux haut-parleurs.
<ul style="list-style-type: none"> Brouillage, sifflement. 	<ul style="list-style-type: none"> Signal faible. 	<ul style="list-style-type: none"> Vérifier le réglage de la station. Ajuster or changer l'antenne.
<ul style="list-style-type: none"> Mauvaise réception. 	<ul style="list-style-type: none"> Multivoie ou interférence d'une autre station. 	<ul style="list-style-type: none"> Vérifier le réglage de la station. Ajuster or changer l'antenne.
<ul style="list-style-type: none"> Réception avec sifflements et bourdonnements. 	<ul style="list-style-type: none"> Interférence provenant d'autres ordinateurs, consoles de jeux. 	<ul style="list-style-type: none"> Vérifier le réglage de la station. Mettre les dispositifs hors tension ou déplacer la source du bruit électrique.
<ul style="list-style-type: none"> L'on ne trouve aucune station en Mode "Recherche" [Search]. 	<ul style="list-style-type: none"> Le signal d'antenne n'est pas suffisamment puissant. 	<ul style="list-style-type: none"> Vérifier la connexion de l'antenne. Ajuster la position de l'antenne à ruban.

BEDIENUNGSANLEITUNG NAD L 40 CD RECEIVER.

SNABB REFERENS GUIDE:

Allgemein: Wie Sie ...	Siehe Kapitel:	Abschnitt:
die Lautsprecher anschließen	Rückwandanschlüsse	1
die UKW-Antenne anschließen	Rückwandanschlüsse	5
NAD-Link anschließen und verwenden	Rückwandanschlüsse	6
ein Bandgerät anschließen	Rückwandanschlüsse	2
weitere Tonquellen am AUX-Eingang anschließen (MiniDisc-Player, TV)	Rückwandanschlüsse	3
Netz Ein/Aus oder Ein/Stand-by schalten	Frontplattenelemente	1
die Kopfhörerbuchse verwenden	Frontplattenelemente	2
eine Tonquelle auswählen	Frontplattenelemente	8
Klangeinsteller und "TONE DEFEAT" verwenden	Frontplattenelemente	13 & 18
"BASS-EQ" verwenden	Frontplattenelemente	15
die Fernbedienung verwenden	Fernbedienung	
die Batterien der Fernbedienung ersetzen	Fernbedienung	
Tuner: Wie Sie ...		
eine Sendervorwahl eingeben	Frontplattenelemente	10
eine Sendervorwahl löschen	Frontplattenelemente	12
einen Sendernamen hinzufügen/ändern	Frontplattenelemente	11
einen Sender automatisch einstellen (Suche)	Frontplattenelemente	17
einen Sender manuell einstellen	Frontplattenelemente	17
einen schwachen Sender einstellen(MUTE aus)	Frontplattenelemente	16
RDS-Information anzeigen (PS, Sendername und RT, RadioText)	Frontplattenelemente	14
CD: Wie Sie ...		
eine CD laden	Frontplattenelemente	3 & 5
eine CD abspielen	Frontplattenelemente	6
eine CD anhalten	Frontplattenelemente	6
auf einen anderen Titel springen	Frontplattenelemente	7
den Modus "REPEAT 1" und "REPEAT ALL" einschalten	Frontplattenelemente	9
die Wiedergabe bestimmter Titel programmieren	Frontplattenelemente	10 & 12
beliebige Wiedergabe einschalten	Frontplattenelemente	11
die Zeitinformationen einer CD anzeigen	Frontplattenelemente	14
innerhalb eines Titels suchen	Frontplattenelemente	17

HINWEISE ZUR AUFSTELLUNG

Der L 40 sollte auf einer festen und ebenen Oberfläche aufgestellt werden. Vermeiden Sie es, das Gerät direktem Sonnenlicht oder Hitze und Feuchtigkeit auszusetzen.

Achten Sie auf ausreichende Luftzirkulation. Stellen Sie das Gerät nicht auf weiche Oberflächen wie z. B. Teppiche, und nicht in abgeschlossene Bereiche wie Bücherregale oder –schränke, wenn diese keine ausreichende Luftzirkulation gewährleisten.

Schalten Sie das Gerät aus, bevor Sie irgendwelche Verbindungen herstellen.

Verwenden Sie für optimale Leistung und Zuverlässigkeit nur hochwertige, gummiisolierte Anschlußleitungen und Stecker. Stellen Sie sicher, daß Leitungen und Stecker in keiner Weise beschädigt sind und alle Steckverbindungen fest sitzen. Die gummiisolierten Anschlüsse am L 40 sind rot für den rechten und weiß für den linken Audiokanal gekennzeichnet.

Verwenden Sie für beste Leistung hochwertige Lautsprecherkabel mit mindestens 4 mm² Querschnitt oder mehr.

Wird das Gerät längere Zeit nicht benutzt, ziehen Sie den Netzstecker aus der Steckdose.

Sollte Wasser in den L 40 eindringen, schalten Sie das Gerät aus und ziehen den Netzstecker aus der Steckdose. Lassen Sie das Gerät von einem qualifizierten Servicetechniker untersuchen, bevor Sie es wieder verwenden.

Nehmen Sie nicht den Gehäusedeckel ab. Im Geräteinnern befinden sich keine vom Benutzer reparierbaren Teile.

Säubern Sie das Gerät mit einem trockenen weichen Tuch. Befeuchten Sie das Tuch falls nötig leicht mit etwas Seifenwasser. Verwenden Sie keine Lösungsmittel, die Benzol oder andere Verdunstungsmittel enthalten.

RÜCKWANDANSCHLÜSSE

1. Lautsprecher (SPEAKERS)

Ausgänge für Lautsprecher mit einer Impedanz von 4 Ohm und höher.

Die Klemme 'RIGHT+' (rechts +) sollte mit der Klemme '+' und 'RIGHT-' (rechts -) mit der Klemme '-' am rechten Lautsprecher verbunden werden.

Schließen Sie den linken Lautsprecher an den Klemmen 'LEFT+' (links +) und 'LEFT-' (links -) in der gleichen Weise an.

Wir empfehlen für den Anschluß von Lautsprechern am L 40 schwere Litzenleitungen oder spezielle Lautsprecherkabel.

An die Schraubanschlußklemmen mit hoher Strombelastbarkeit können Leitungen mit Kabelschuhen oder Endhülsen und auch blanke Leitungsenden angeschlossen werden.

KABELSCHUHE

Schieben Sie Kabelschuhe unter die Anschlußklemmenmutter und ziehen Sie diese fest an. Stellen Sie sicher, daß die Verbindungen fest und sicher sitzen und daß kein blankes Kabelschuhmetall die Rückwand oder andere Anschlüsse berührt. Dies könnte zu Schäden führen.

BLANKE LEITUNGSENDEN UND ENDHÜLSEN

Blanke Leitungsenden und Endhülsen sollten in das Loch im Gewindestift der Lautsprecheranschlüsse eingeführt werden. Lösen Sie die Lautsprecheranschluß-Kunststoffmutter bis das Loch im Gewindestift freiliegt. Führen Sie die Endhülse oder das blanke Leitungsende in das Loch ein und ziehen die Anschlußmutter wieder fest an.

Achten Sie darauf, daß kein blankes Metall von Lautsprecherleitungen die Rückwand oder andere Anschlüsse berührt. Stellen Sie sicher, daß das blanke Leitungsende oder die Endhülse nur 1 cm lang ist und keine losen Litzen aus dem Lautsprecherkabel herausragen.

2. Tonbandgerät-Ein-/Ausgang (TAPE IN, OUT)

Anschlüsse für analoge Aufzeichnung und Wiedergabe eines beliebigen Tonbandgerätes. Verbinden Sie für die Wiedergabe den linken und rechten Ausgang der Bandmaschine (oft mit "Playback", "Line out", "Output" oder "Analog-Output" bezeichnet) mit einem zweifachen, gummiisolierten Verbindungskabel mit den Anschlüssen "TAPE IN" (Tonbandeingang) des L 40. Für die Aufnahme verbinden Sie den linken und rechten Eingang der Bandmaschine (oft mit "Record", "Line in", "Input" oder "Analog-Input" bezeichnet) mit den Anschlüssen "TAPE OUT" (Tonbandausgang) des L 40.

3. Zusatzeingang (AUX INPUT)

Eingang für zusätzliche Linepegel-Signale wie z. B. Minidisc-Player. Verbinden Sie den linken und rechten Linepegel-Ausgang (oft mit "Line out", "Output" oder "Analog-Output" bezeichnet) des zusätzlichen Gerätes mit einem zweifachen, gummiisolierten Verbindungskabel mit diesem Eingang.

4. Vorverstärkerausgang (PRE OUT)

Anschlüsse für einen externen Endverstärker.

5. UKW Antenneneingang (FM ANTENNA)

Die mitgelieferte UKW-Flachbandleitungsantenne sollte am Anschluß "FM ANTENNA" auf der Gehäuserückseite über den ebenfalls mitgelieferten Symmetrieradapter angeschlossen werden. Die Bandantenne sollte auf einer senkrechten Oberfläche in Form eines "T" angebracht werden.

Versuchen Sie verschiedene Positionen der Antenne aus, um diejenige mit der höchsten Signalstärke und den niedrigsten Störgeräuschen zu finden.

Ein mangelhaftes FM-Signal führt in der Regel und besonders bei Stereoempfang zu einem hohen Störgeräuschpegel und zu Störungen aus externen elektrischen Energiequellen. Die Leistung des Tuners kann durch die Verwendung einer extern montierten UKW-Antenne verbessert werden. In einem Elektrofachgeschäft erhalten Sie die entsprechenden Informationen und Dienstleistungen für eine Ihren Empfangsbedingungen entsprechende Außenantenne.

6. Systemsteuerung (NAD-LINK IN, OUT)

Über die NAD-LINK-Anschlüsse werden von der Fernbedienung ausgehende Befehle von und zu anderen mit NAD-LINK-Anschlüssen ausgestatteten Geräten übertragen. Dadurch ist die zentrale Steuerung eines ganzen Systems oder die Systemsteuerung von mehreren Räumen aus möglich. Außerdem können so NAD-Geräte, die selbst nicht fernsteuerbar sind, über die Fernbedienung bedient werden.

Für eine Funktion mit anderen Geräten verbinden Sie den Anschluß "NAD-LINK OUT" am L 40 mit dem Anschluß "NAD-LINK IN" eines anderen Gerätes. NAD-LINK-Anschlüsse können in Reihe geschaltet werden, immer IN auf OUT, so daß ein ganzes System über die Fernbedienung eines Gerätes bedient werden kann.

7. Netzkabelanschluß (AC POWER CORD)

Verbinden Sie den Netzkabelanschluß mit einer geeigneten Steckdose.

FRONTPLATTENELEMENTE

1. Netzschalter (POWER)

Drücken Sie auf die Drucktaste "POWER", um das Gerät einzuschalten. Das Anzeigefeld und die LED des Lautstärkeeinstellers leuchten auf.

Ein erneutes Drücken des POWER-Schalters schaltet das Gerät vollständig AUS. Voreingestellte Radiosender für den Tuner werden im L 40 in einem gepufferten Speicher gespeichert. Diese Informationen bleiben auch nach einem vollständigem Ausschalten oder Trennen vom Netz für mehrere Wochen erhalten.

FERNBEDIENUNG:

STAND-BY-Drucktaste (grün):

Drücken Sie diese Taste, wenn Sie das Gerät aus dem Betriebsmodus in den Stand-by-Modus und umgekehrt schalten wollen: Drücken Sie diese Taste noch einmal, um das Gerät aus dem Stand-by-Modus einzuschalten.

HINWEIS:

Der Stand-by-Modus wird durch die gelbe Leuchtanzeige über dem Schalter "POWER" auf der Frontplatte (Nr. 1) angezeigt.

Im Stand-by-Modus verbraucht der L 40 sehr wenig Energie. Wir empfehlen aber, das Gerät ganz

auszuschalten, wenn es für einige Tage nicht benutzt werden sollte. Das Gerät wird durch Drücken auf die Drucktaste "POWER" auf der Frontplatte (Nr. 1) ganz ausgeschaltet. Dabei verlöschen alle Leuchtanzeigen.

2. Kopfhörerbuchse (PHONES)

Musikhören über Kopfhörer ermöglicht eine 6,3 mm Stereo-Klinkenbuchse, an die allen gängigen Kopfhörer jeder Impedanz angeschlossen werden können. Mit dem Einstecken des Kopfhörersteckers werden die Lautsprecher automatisch abgeschaltet. Die Lautstärke-, Klang- und Balanceeinsteller arbeiten dann für den Kopfhörerbetrieb. Um Kopfhörer mit anderen Anschlußsteckern wie z. B. 3,5 mm Miniaturstecker anzu-schließen, können entsprechende Adapter verwendet werden.

HINWEIS:

Stellen Sie sicher, daß die Lautstärke auf ein Minimum eingestellt ist (voll gegen den Uhrzeigersinn), bevor Sie Kopfhörer anschließen.

Hören bei sehr hoher Lautstärke kann das Gehör schädigen.

3. CD-SCHUBLADE

Um eine CD einzulegen, drücken Sie auf die Taste "STOP/OPEN" (Nr. 5), wodurch die Schublade geöffnet wird. Legen Sie die CD mit der transparenten Abspelseite nach unten in die große kreisförmige Aussparung in der Schublade. Der Aufdruck muß nach oben zeigen.

Drücken Sie noch einmal auf "OPEN", um die Schublade zu schließen oder drücken Sie auf "PLAY/PAUSE", um nach dem Schließen der Schublade mit der Wiedergabe zu beginnen.

CD-3 Discs (3-Zoll-CD-"Singles") können ohne Adapter abgespielt werden. Legen Sie solche CDs ebenfalls mit der bedruckten Seite nach oben in die kleinere, mittlere und kreisförmige Aussparung in der Schublade.

HINWEIS:

Dieser CD-Player ist für sogenannte 'Damping-Discs' auf einer CD oder für zwei gestapelte CDs nicht geeignet. Es können Audio-CDs, aber keine CDs mit der Kennzeichnung CD-V, DVD, CD-I, CD-ROM oder PHOTO CD abgespielt werden.

4. Anzeigefeld (DISPLAY) (LCD)

Das LCD-Anzeigefeld liefert Informationen zum gewählten Eingang und dem Status von CD und Tuner.

IM CD-MODUS:

TITELNUMMER. Jede CD wird bei der Aufnahme in nummerierte Titel eingeteilt. Normalerweise entspricht ein nummerierter Titel einem bestimmten Lied, Satz einer Symphonie usw.

Diese Titelnummern sind auf der CD-Verpackung

aufgelistet und in der CD vom Hersteller kodiert.

Standardmäßig zeigt der alphanumerische Abschnitt des Anzeigefeldes die Zeit seit Beginn des aktuellen Titels. Mit der Taste "DISPLAY" (Nr. 14) können Sie die Anzeige auf die Gesamt-Restspielzeit der CD umschalten.

Am linken Rand des Anzeigefeldes leuchtet während der Wiedergabe ein nach rechts zeigender Pfeil ►. Zwei senkrechte Balken ■■ zeigen den PAUSE-Modus des CD-Players an.

Im STOP-Modus werden im Anzeigefeld die Anzahl der Titel und die Gesamtspielzeit der CD angezeigt.

Befindet sich in der Schublade keine CD oder versuchen Sie eine CD, die nicht lesbar ist (Schmutz oder verkehrte Lage) abzuspielen, wird im Anzeigefeld "NO DISC" signalisiert.

"REPEAT 1" leuchtet in der linken oberen Ecke während der wiederholten Wiedergabe eines einzelnen Titels auf.

"REPEAT ALL" leuchtet während der wiederholten Wiedergabe einer ganzen CD oder aller vorprogrammierten Titel auf.

"REPEAT 1" und "REPEAT ALL" können durch Drücken der Taste Nr. 9 aktiviert werden.

"TOTAL REMAIN" leuchtet in der Mitte des Anzeigefeldes, wenn Sie die Taste "DISPLAY" zur Anzeige der CD-Restspielzeit gedrückt haben.

"RANDOM" wird im Anzeigefeld angezeigt, wenn der RANDOM-Modus im L 40 aktiv ist.

"PROGRAM" leuchtet auf, wenn der CD-Player zum Abspielen einer Titelauswahl programmiert wird (mit den Tasten "STORE" und "CANCEL", Nr. 10 + 12). "PROGRAM" wird ebenfalls während dem vorprogrammierten Abspielen einer CD angezeigt.

IM TUNER-MODUS:

Wenn ein RDS-Sender empfangen wird, erscheint im Anzeigefeld normalerweise die voreingestellte Kanalnummer und der Sendername oder programmierte Sendername. Wurde kein Name eingegeben oder der Radiosender verfügt nicht über RDS, wird die Empfangsfrequenz in Mega-Hertz (MHz) angezeigt.

"ANTENNA" und die direkt darunterliegende waagrechte Balkenanzeige im Anzeigefeld signalisieren die Signalstärke des empfangenen Senders. Je mehr Balken leuchten, desto stärker ist das Signal.

Eine punktförmige Bandmittenanzeige direkt über der Anzeige "TONE DEFEAT" leuchtet auf, wenn der

Tuner genau auf die Bandmitte des Senders abgestimmt ist. Bandmitte leuchtet ebenfalls, wenn das Gerät einen Befehl von der Fernbedienung empfängt.

"RDS" in der rechten oberen Ecke leuchtet auf, wenn die von einem Sender ausgestrahlte RDS-Information empfangen wird.

ALLGEMEIN:

"BASS EQ" leuchtet im Anzeigefeld auf, wenn "BASS EQ" aktiviert wurde (Nr. 15).

"TONE DEFEAT" leuchtet im Anzeigefeld auf, wenn "TONE DEFEAT" aktiviert wurde (Nr. 13).

EMPFÄNGER DES FERNBEDIENUNGSSIGNALS.

Ein im linken Bereich des Anzeigefeldes angeordneter Infrarot-Sensor empfängt die Signale von der Fernbedienung. Es muß eine klare Sichtverbindung von der Fernbedienung zu diesem Anzeigefeldbereich bestehen. Ist diese Strecke blockiert, funktioniert die Fernbedienung wahrscheinlich nicht. Empfängt das Gerät von der Fernbedienung einen Befehl, wird dies im Anzeigefeld durch einen blinkenden Punkt signalisiert.

5. Stopp/Öffnen (STOP/OPEN)

Wenn Sie einmal auf diese Taste drücken, wird die CD-Wiedergabe angehalten, jeder Wiedergabewiederholzyklus abgebrochen und der Tonabnehmer an den Anfang der CD zurückgesetzt. Im Anzeigefeld werden wieder Titelanzahl und CD-Gesamtspielzeit angezeigt.

Drücken Sie diese Taste, um die CD-Schublade zu öffnen und ein weiteres Mal, um die Schublade wieder zu schließen.

Ist die Schublade geschlossen, durchsucht der CD-Player das CD-Inhaltsverzeichnis und zeigt die Titelanzahl und die CD-Gesamtspielzeit an. Drücken Sie "PLAY", um die Schublade zu schließen, wird diese Information übersprungen und das Abspielen des ersten Titels beginnt.

HINWEIS:

Die CD-Schublade wird von einem internen Motor geöffnet und geschlossen. Schließen Sie die Schublade nicht manuell, wenn das Gerät ausgeschaltet ist.

FERNBEDIENUNG:

Auf der Fernbedienung befindet sich ebenfalls eine Taste "STOP", die fast die gleiche Funktion erfüllt wie die Taste auf der Frontplatte des L 40, allerdings öffnet und schließt diese Taste die CD-Schublade nicht.

6. Wiedergabe/Pause (PLAY/PAUSE)

Drücken Sie die Taste "PLAY/PAUSE", um mit der Wiedergabe einer CD zu beginnen. Der PLAY-Modus wird durch einen nach rechts zeigenden Pfeil ► im Anzeigefeld signalisiert.

Drücken Sie "PLAY/PAUSE" noch einmal, um die Wiedergabe kurz anzuhalten (der CD-Player ist dann im PAUSE-Modus, dargestellt mit zwei senkrechten Balken ■■ im Anzeigefeld).

Um mit der Wiedergabe an der Stelle fortzufahren, an der diese angehalten wurde, drücken Sie "PLAY/PAUSE" noch einmal. Möchten Sie die Wiedergabe an einer anderen Stelle fortsetzen, können Sie mit den Tasten "SKIP/PRESET" (Nr. 7) oder "SEARCH/TUNE" (Nr. 17) den Tonabnehmer auf einen anderen Punkt setzen, bevor Sie "PLAY" wieder drücken.

Auf der Fernbedienung befindet sich ebenfalls eine Taste "PLAY/PAUSE". Mit dieser Taste sind dieselben Funktionen ausführbar wie mit der Taste auf der Frontplatte.

7. Springen/Voreinstellung (SKIP/PRESET)

Mit der Taste "SKIP/PRESET" wird genau genommen jeweils eine Taste auf beiden Seiten der Drucktaste betätigt, erkennbar an den kleinen erhabenen Punkten. Eine Betätigung erfolgt durch Drücken auf die gewünschten Punkte, den linken für "SKIP BACK" ◀◀ (zurück) und den rechten für "SKIP FORWARD" ▶▶ (vorwärts).

IM CD-MODUS:

"SKIP BACK" ◀◀ (zurück)

Mit der Taste "SKIP" ◀◀ wird der Laser zurück an den Anfang eines jeden nummerierten CD-Titels gesetzt. Mit dem ersten Drücken wird der Anfang des aktuellen Titels eingestellt. Drücken Sie "SKIP" ◀◀ zweimal schnell hintereinander, um auf den Anfang des vorherigen Titels zu springen. Wenn Sie die Taste gedrückt halten, springt der CD-Player solange auf vorhergehende Titel, bis die Taste losgelassen wird.

"SKIP FORWARD" ▶▶ (vorwärts)

Drücken Sie die Taste "SKIP" ▶▶ während der Wiedergabe, wird der Laser an den Anfang des nächsten Titels gesetzt und dieser wiedergegeben. Sie können auf diese Weise jeden Titel einer CD kurz anspielen. Drücken Sie dazu "PLAY" und tippen auf "SKIP" ▶▶ nachdem Sie ein paar Sekunden eines Titels gehört haben. Wenn Sie die Taste gedrückt halten, springt der CD-Player solange auf nachfolgende Titel mit höherer Nummer, bis die Taste losgelassen wird.

IM TUNER-MODUS:

"PRESET"

Drücken Sie "PRESET" nach oben oder unten, um eine der voreingestellten UKW-Sender einzustellen.

Jedesmal, wenn diese Tasten gedrückt werden, wird im Anzeigefeld die Nummer der Voreinstellung und die dazugehörige Frequenz oder bei einer RDS-Station der entsprechende Sendername angezeigt.

Auf der Fernbedienung befindet sich ebenfalls die Taste "SKIP/PRESET". Mit dieser Taste sind dieselben Funktionen ausführbar wie mit der Taste auf der Frontplatte.

8. Eingangswahlschalter (INPUT SELECTOR)

Mit der Taste "INPUT SELECTOR" wird genau genommen jeweils eine Taste auf beiden Seiten der Drucktaste betätigt, erkennbar an den kleinen erhabenen Punkten. Eine Betätigung erfolgt durch Drücken auf die gewünschten Punkte.

Durch Drücken auf die rechte Seite der Taste werden die Eingänge des L 40 in der folgenden Reihenfolge eingestellt: CD > Aux > Tape > Tuner > CD.

Durch Drücken auf die linke Seite der Taste werden die Eingänge des L 40 in der umgekehrten Reihenfolge eingestellt: CD > Tuner > Tape > Aux > CD.

Drücken Sie die eine oder andere Taste solange, bis die gewünschte Tonquelle im Anzeigefeld erscheint.

FERNBEDIENUNG:

Auf der Fernbedienung befinden sich für jeden Eingang separate Tasten. Drücken Sie die entsprechende Taste für den gewünschten Eingang.

9. Wiederholung (REPEAT)

Mit dieser Taste kann eine endlose Wiederholungsschleife aktiviert werden. Drücken Sie die Taste "REPEAT" einmal, wird der Modus "REPEAT 1" eingestellt, der den aktuellen Titel laufend wiederholt.

Wenn Sie die Taste "REPEAT" noch einmal drücken, wird der Modus "REPEAT ALL" aktiviert und alle Titel auf der CD oder eine vorprogrammierte Titelauswahl wird vom Anfang bis zum Ende mit laufender Wiederholung abgespielt. Drücken Sie die Taste "REPEAT" ein drittes Mal, wird der Wiederholungszyklus abgebrochen und der Normalbetrieb wiederhergestellt.

10. Speichern (STORE)

IM CD-MODUS:

Mit dem L 40 CD-Receiver können Sie die CD-Wiedergabe so vorprogrammieren, daß alle CD-Titel, die Sie nicht hören möchten (negative Programmierung) übersprungen werden. Die CD-

Player-Programmierung ist nur bei eingelegter CD und im STOP-Modus möglich.

Um den Programm-Modus zu aktivieren, drücken Sie "STORE" und wählen anschließend mit der Taste "SKIP/PRESET" die Titel aus, die Sie nicht abspielen wollen. Die Titelnummer wird im Display blinkend angezeigt. Drücken Sie "CANCEL" (Nr. 12) zur Bestätigung des Titels, den Sie löschen möchten. Im Anzeigefeld wird diese erste Titel-abwahl mit "P--01" bestätigt.

Wählen Sie den nächsten Titel, der übersprungen werden soll und drücken Sie erneut "CANCEL". Im Anzeigefeld erscheint "P--02" Wiederholen Sie diese Eingaben mit allen Titeln, die Sie nicht abspielen möchten.

Wenn Sie alle Titel, die übersprungen werden sollen, eingegeben haben, drücken Sie die Taste "PLAY", um mit der Wiedergabe der verbleibenden Titel zu beginnen. Während der programmierten Wiedergabe wird im Anzeigefeld "PROGRAM" angezeigt.

HINWEIS:

Wenn Sie "STOP/OPEN" (Nr. 5) drücken, wird das Programm gelöscht und der Programm-Modus deaktiviert. Die Auswahl einer anderen Tonquelle (wie z. B. Tuner) löscht ebenfalls jede Programmierung und deaktiviert den Programm-Modus.

IM TUNER-MODUS:

Im Speicher des L 40 CD-Receiver können bis zu 30 Radiosender (Voreinstellungen) gespeichert werden.

Um einen Sender als Voreinstellung zu speichern, stellen Sie zunächst den gewünschten Radiosender mit den Einstelltasten "SEARCH/TUNE" (Nr. 17) ein.

Drücken Sie danach die Taste "STORE". Im Anzeigefeld wird die niedrigste verfügbare Voreinstellungsnummer für ca. 6 Sek. angezeigt.

Drücken Sie innerhalb dieser 6 Sek. "STORE" erneut, um den Sender unter der angezeigten Voreinstellungsnummer zu speichern.

Möchten Sie eine andere Voreinstellungsnummer, wählen Sie mit den Einstelltasten "SKIP/PRESET" (Nr. 7) die gewünschte Nummer aus, bevor Sie "STORE" erneut drücken. Beachten Sie, daß nur freie Voreinstellungsnummern angezeigt werden. Möchten Sie eine bereits vergebene Voreinstellungsnummer verwenden, müssen Sie diese zuerst löschen (siehe Abschnitt "Löschen (CANCEL)", Nr. 12)

HINWEIS:

Neben der Radiostation selbst speichert der L 40 ebenfalls die Einstellung von MONO (Nr. 16). Das ist besonders dann von Vorteil, wenn Sie häufig einen schwachen Sender hören wollen. Die vorgehensweise ist dieselbe wie oben beschrieben. Nachdem Sie die gewünschte Voreinstellungsnummer ausgewählt haben, wählen Sie MONO (Nr. 16). Daraufhin erlischt "STEREO" im Anzeigefeld. Drücken Sie danach "STORE".

HINWEIS:

Der STORE-Modus wird automatisch nach ca. 5 Sek. verlassen, falls keine anderen Tasten gedrückt werden.

11. Beliebige Wiedergabe (RANDOM) IM CD-MODUS:

Das Drücken der Taste "RANDOM" aktiviert die Wiedergabe aller CD-Titel in einer zufälligen Reihenfolge. Drücken Sie "RANDOM" entweder im STOP- oder PLAY-Modus, beginnt der L 40 mit der Wiedergabe der CD-Titel in einer zufälligen Reihenfolge bis alle Titel einmal gespielt worden sind.

Drücken Sie die Taste "RANDOM" noch einmal, wird RANDOM-PLAY abgebrochen und der L 40 kehrt in den normalen Wiedergabe-Modus zurück.

Während der RANDOM-Modus im L 40 aktiv ist, wird "RANDOM" im Anzeigefeld angezeigt.

Beliebige Wiedergabe kann zusammen mit dem Modus "REPEAT ALL" verwendet werden. Dabei fährt der L 40 nach einem abgeschlossenen RANDOM-Wiedergabezyklus mit einem weiteren Zyklus der beliebigen Wiedergabe fort.

HINWEIS:

"RANDOM" kann nicht zusammen mit programmierter Wiedergabe verwendet werden (siehe Abschnitt Nr. 10).

IM TUNER-MODUS:

Die Zuordnung von Radiosendern zu Sendefrequenzen ist für viele schon viel zu kompliziert. Um solche verwirrende Angaben zu vermeiden, können Sie jeder Voreinstellung einen Namen mit bis zu 8 Zeichen geben. Wenn Sie dann eine Voreinstellung aufrufen, wird an Stelle der Sendefrequenz ein Name angezeigt. Beispiel: 91,30 entspricht BBC Radio 3. In diesem Fall kann die Voreinstellung so programmiert werden, daß nach jeder Auswahl "BBC R3" im Anzeigefeld erscheint.

Die Namenvergabe für eine Voreinstellung kann auf zwei Arten durchgeführt werden: Benennen und Speichern des Senders in einer Voreinstellung zur gleichen Zeit oder die nachträgliche Benennung einer bereits gespeicherten Voreinstellung.

BENENNEN UND SPEICHERN EINER VOREINSTELLUNG

Wählen Sie den gewünschten Radiosender mit den Einstelltasten "SEARCH/TUNE" (Nr. 17) aus. Drücken Sie die Taste "REPEAT". Im leeren Anzeigefeld erscheint eine blinkende Zeile. Innerhalb von 10 Sek. können Sie jetzt das erste gewünschte Zeichen eingeben.

Wählen Sie das Zeichen mit einer der Einstelltasten "SKIP/PRESET" (Nr. 7) aus. Wenn Sie die rechte Einstelltaste "SKIP/PRESET" drücken, werden die verfügbaren Zeichen in alphanumerischer Reihenfolge angezeigt: (Leerzeichen) > 0 > 1 > 2 > 3 bis 9 > A > B > C bis Z > (Leerzeichen) > 0 > 1 > 2 >

usw. Drücken Sie die linke Einstelltaste "SKIP/PRESET" werden die Zeichen in umgekehrter Reihenfolge angezeigt: Z > Y > X bis A > 9 bis 3 > 2 > 1 > 0 > (Leerzeichen) > Z > Y > X > usw.

Mit der Einstelltaste "SEARCH/TUNE" (Nr. 17) springen Sie zur nächsten Position rechts für das zweite Zeichen und wiederholen die Zeichenauswahl wie oben beschrieben.

Geben Sie alle anderen Zeichen über die Einstelltasten "SKIP/PRESET" und "SEARCH/TUNE" wie oben beschrieben ein.

Wenn alle Zeichen korrekt eingegeben sind, drücken Sie "STORE" (Nr. 10).

Drücken Sie "STORE" erneut für die Zuweisung einer Voreinstellungsnummer (siehe Abschnitt 10).

BENENNEN EINER BEREITS BELEGTEN VOREINSTELLUNG

Rufen Sie die Voreinstellung auf, die Sie benennen möchten. Drücken Sie die Taste "REPEAT". Im leeren Anzeigefeld erscheint eine blinkende Zeile. Innerhalb von 10 Sek. können Sie jetzt das erste gewünschte Zeichen eingeben.

Wählen Sie das Zeichen mit einer der Einstelltasten "SKIP/PRESET" (Nr. 7) aus. Wenn Sie die rechte Einstelltaste "SKIP/PRESET" drücken, werden die verfügbaren Zeichen in alphanumerischer Reihenfolge angezeigt: (Leerzeichen) > 0 > 1 > 2 > 3 bis 9 > A > B > C bis Z > (Leerzeichen) > 0 > 1 > 2 > usw. Drücken Sie die linke Einstelltaste "SKIP/PRESET" werden die Zeichen in umgekehrter Reihenfolge angezeigt: Z > Y > X bis A > 9 bis 3 > 2 > 1 > 0 > (Leerzeichen) > Z > Y > X > usw.

Mit der Einstelltaste "SEARCH/TUNE" (Nr. 17) springen Sie zur nächsten Position rechts für das zweite Zeichen und wiederholen die Zeichenauswahl wie oben beschrieben.

Geben Sie alle anderen Zeichen über die Einstelltasten "SKIP/PRESET" und "SEARCH/TUNE" wie oben beschrieben ein.

Wenn alle Zeichen korrekt eingegeben sind, drücken Sie "STORE" (Nr. 10). Der Name für die Voreinstellung ist damit festgelegt.

HINWEIS:

Die Änderung eines Namens ist jederzeit möglich. Gehen Sie auf dieselbe Weise vor, wie unter "Benennen einer bereits belegten Voreinstellung" beschrieben. An Stelle einer leeren Zeile beginnt das erste Zeichen im Anzeigefeld zu blinken, nachdem Sie "REPEAT" gedrückt haben. Sie können ein bestehendes Zeichen durch Auswählen eines anderen Zeichens einfach überschreiben.

HINWEIS:

Ein RDS-Sender kann nicht umbenannt werden. Der übertragende Name (PS) wird automatisch gespeichert und angezeigt.³

12. Löschen (CANCEL)

IM CD-MODUS:

Die Taste "CANCEL" arbeitet in Verbindung mit der Taste "STORE" (Nr. 10) und erlaubt das Ausblenden von Titeln, die Sie nicht hören möchten.

Siehe Abschnitt "STORE" (Nr. 10) zu Programmierung und Aktivierung der programmierten Wiedergabe.

IM TUNER-MODUS:

Wenn Sie eine bestimmte Voreinstellung löschen möchten, wählen Sie die Voreinstellung und drücken anschließend "CANCEL". Daraufhin blinkt die Voreinstellungsnummer im Anzeigefeld. Drücken Sie innerhalb von 6 Sek. erneut "CANCEL". Zur Bestätigung, daß diese Voreinstellungsnummer jetzt leer ist, erscheint im Anzeigefeld "PRESET CLEAR".

13. Klangeinsteller aus (TONE DEFEAT)

Die Taste "TONE DEFEAT" schaltet die Klangregelung im L 40 aus. Wenn Sie die Klangeinsteller normalerweise sowieso in der 12 Uhr-Position lassen, ist es ratsam, das Klangregelsystem komplett durch Drücken der Taste "TONE DEFEAT" abzuschalten. Zur Kontrolle, daß "TONE DEFEAT" aktiv ist, wird im Anzeigefeld "TONE DEFEAT" angezeigt. Das Umgehen des Klangregelsystems bewirkt eine leicht verbesserte Tonqualität und einen linearen Frequenzgang.

14. Anzeige (DISPLAY)

IM CD-MODUS:

Die Taste "DISPLAY" unterstützt die folgenden drei Modi:

Zeit (TIME): Die seit dem Anfang des aktuellen Titels abgelaufene Zeit in Minuten und Sekunden. Dies ist die Standardeinstellung, die automatisch nach dem Einschalten des CD-Players ausgewählt wird.

Restzeit (REMAIN): Die Gesamtrestspielzeit bis zum Ende der CD und die Gesamtanzahl verbleibender Titel (einschl. des aktuellen Titels), oder die verbleibende Zeit und Anzahl von Titeln während einer programmierten Wiedergabe.

Gesamtzeit (TOTAL): Die Gesamtanzahl der Titel und die CD-Gesamtspielzeit.

IM TUNER-MODUS:

Wenn ein RDS-Radiosender empfangen wird, ruft die Taste "DISPLAY" nacheinander drei Modi auf:

Standardmäßig wird beim Empfang eines RDS-Radiosenders der Sendername angezeigt (RDS PS).

Drücken Sie die Taste "DISPLAY" einmal zur Anzeige eines Radiotextes (RDS RT). Radiotext-Information kann aus dem Programmnamen, dem Namen des Moderators, dem gerade gespielten Titel usw. bestehen. Der Text läuft kontinuierlich im Anzeigefeld. Übermittelt der Radiosender keinen Radiotext, wird dies im Anzeigefeld mit "NO TEXT" angezeigt.

Drücken Sie die Taste noch einmal, um die Senderfrequenz und Signalstärke anzuzeigen.

Drücken Sie die Taste ein weiteres Mal, um zur Standardanzeige mit dem Radiosendernamen (RDS PS) zurückzukehren.

Wenn die Taste "DISPLAY" gedrückt wird und kein RDS-Sender eingestellt ist, erscheint im Anzeigefeld für 5 Sek. die Meldung "NO RDS", bevor wieder auf die Standardanzeige umgeschaltet wird.

15. Baßanhebung (BASS EQ)

Kleine Lautsprecher können in der Regel wegen ihrer geringeren Abmessungen kaum kräftige Bässe erzeugen. Die "BASS EQ"-Ausstattung gleicht diesen Frequenzabfall mit einer signifikanten Erweiterung des nutzbaren Bereiches der Lautsprecher aus. Natürlich sind sehr niedrige Frequenzen nicht in allen Musikformen oder Aufzeichnungen enthalten. Darum ist der "BASS EQ"-Effekt auch nicht immer deutlich zu hören. Bei Musik, die viel tiefe Baßinformationen enthält, stellt dieser Effekt eine hörbare und außerordentliche Verbesserung unter Beweis.

Zum Aktivieren drücken Sie die Taste "BASS EQ" und "BASS EQ" leuchtet im Anzeigefeld auf.

Drücken Sie die Taste "BASS EQ" noch einmal, um "BASS EQ" zu deaktivieren.

HINWEIS:

Der "BASS EQ"-Schaltkreis enthält auch ein unterfrequentes Filter, das Frequenzen unter 25 Hz ausblendet, um eine unerwünschte Verstärkung von Störsignalen außerhalb des Hörbereiches zu vermeiden. Musik mit extrem tiefen Bässen kann sowohl den Verstärker des L 40 als auch die Lautsprecher übersteuern. Bemerkbar macht sich dies durch Verzerrungen. Deaktivieren Sie in solchen Fällen "BASS EQ" und/oder verringern Sie die Lautstärke bis die Klangverzerrungen wieder verschwinden.

16. MONO

Wird ein starkes UKW-Signal empfangen, schaltet der NAD L 40 automatisch in den UKW-Stereobetrieb, die STEREO-Anzeige im Anzeigefeld leuchtet auf und der Tuner wird während der Suche zwischen den einzelnen Sendern stummgeschaltet.

Schwache Stereosignale können jedoch einen hohen Pegel Hintergrundrauschen aufweisen. Das Umschalten in den MONO-Modus durch drücken der Taste "MONO" eliminiert diese Hintergrundstörungen fast völlig. Drücken Sie die Taste "MONO" erneut, um in den automatischen UKW-Stereobetrieb zurückzuschalten.

Der MONO-Status kann in einer Voreinstellung gespeichert werden. Auf diese Weise muß nicht immer die Taste "MONO" gedrückt werden, wenn häufig schwache Sender gehört werden. Weitere Informationen finden Sie im Abschnitt "Speichern (STORE)" (Nr. 10).

HINWEIS:

"MONO" wirkt sich nur auf den Tuner des L 40 aus. Wenn CD, TAPE oder AUX ausgewählt sind, ist die Taste "MONO" ohne Funktion.

17. Suchen/Sender einstellen (SEARCH/TUNE)

IM CD-MODUS:

"SEARCH BACK" ◀◀ (zurück)

Mit der Taste "SEARCH" ◀◀ kann der optische Tonabnehmer des CD-Players schnell rückwärts durch eine Aufnahme bewegt werden. Diese Taste funktioniert nur während des PLAY- oder PAUSE-Modus. Nach einem STOP-Befehl oder Einlegen einer neuen CD muß die Taste "PLAY" gedrückt werden bevor der Suchschaltkreis aktivierbar ist.

Wird mit dem Suchen im PAUSE-Modus begonnen, ist die Wiedergabe deaktiviert und die Suche ca. 15-20 mal schneller als die normale Abspielgeschwindigkeit. Wird mit dem Suchen während der Wiedergabe begonnen, ist auch die dadurch fragmentierte Musik hörbar. Mit dieser "hörbaren Suche" können Sie den CD-Player genau auf den Punkt setzen, an dem eine Wiedergabe beginnen soll.

Wenn Sie während der Wiedergabe von Titel 1 den Tonabnehmer auf den CD-Anfang bewegen, wird automatisch der normale Wiedergabe-Modus aktiviert.

"SEARCH FORWARD" ▶▶ (vorwärts)

Mit der Taste "SEARCH" ▶▶ kann der optische Tonabnehmer des CD-Players schnell vorwärts durch eine Aufnahme bewegt werden. Diese Taste funktioniert in ähnlicher Weise wie "SEARCH" ◀◀.

Wenn Sie während der Wiedergabe des letzten Titels den Tonabnehmer auf das CD-Ende bewegen, wird die Suche angehalten und im Anzeigefeld das CD-Inhaltsverzeichnis angezeigt (es wird nicht erneut vom CD-Anfang aus weitergesucht).

IM TUNER-MODUS:

Mit dem L 40 können Sie einen Radiosender auf zwei Arten einstellen, manuell oder über automatischen Suchlauf. Für eine automatische Suche drücken Sie entweder ◀◀ oder ▶▶ der Einstelltaste "SEARCH/TUNE" länger als 1 Sekunde. Wenn Sie die Taste loslassen, wird das UKW-Frequenzband automatisch nach oben bzw. unten nach dem ersten stärkeren Sendersignal durchsucht. Ist ein einigermaßen starker Sender gefunden, hält die Suche an und der Empfang auf diesen Radiosender wird genau abgestimmt. Die Bandmitte-Anzeige (ein Punkt im Anzeigefeld) leuchtet auf, wenn der Sender korrekt eingestellt ist.

Sender manuell einstellen:

Drücken Sie entweder ◀◀ oder ▶▶ der Einstelltaste "SEARCH/TUNE", um die Senderfrequenz nach oben oder unten einzustellen. Der Tuner beginnt automatisch mit der Suche im UKW-Frequenzband nach oben oder unten. Befindet sich die Anzeige nahe der gewünschten Frequenz, drücken Sie kurz die andere Seite der Einstelltaste "SEARCH/TUNE", um die Suche zu stoppen.

Jedes weitere kurze Drücken von ◀◀ oder ▶▶ der Einstelltaste "SEARCH/TUNE" bewegt die Abstimmung des Tuners einen kleinen Schritt von 0,025 MHz weiter.

Die Bandmitte-Anzeige (ein Punkt im Anzeigefeld) leuchtet auf, wenn der Sender korrekt eingestellt ist.

HINWEIS:

Manchmal ist ein Radiosender so schwach, daß sein Signalpegel unter dem Stummschaltungsschwellenpegel liegt (die Stummschaltung blendet das übliche Rauschen zwischen Sendern aus). Der Sender ist dadurch nicht hörbar, obwohl die Frequenz genau eingestellt ist. Drücken Sie in solchen Fällen die Taste "MONO" (Nr. 16), um die Stummschaltung zu deaktivieren.

18. Baß- und Höhen-Klangeinsteller (BASS & TREBLE)

Die Klangeinsteller "BASS" und "TREBLE" dienen der Anpassung des System-Klangbildes.

Die mit einer Einrastung gekennzeichnete 12-Uhr-Position bewirkt ein 'flaches' Klangbild, ohne Verstärkung oder Abschwächung einzelner Frequenzen. Drehen Sie die Einsteller im Uhrzeigersinn für eine Erhöhung, oder gegen den Uhrzeigersinn für eine Verringerung der Bässe oder Höhen.

Die Klangeinsteller beeinflussen nicht die Aufnahmen, die über die TAPE-Ausgänge gemacht werden, wirken sich aber auf das Vorverstärker Ausgangssignal (PRE OUT) aus.

HINWEIS:

Stellen Sie sicher, daß "TONE DEFEAT" (Nr. 13) nicht aktiv ist, andernfalls sind die Klangeinsteller

abgeschaltet ("TONE DEFEAT" leuchtet im Anzeigefeld auf).

19. BALANCE

Der Einsteller "BALANCE" beeinflusst die relativen Pegel der linken und rechten Lautsprecher. Die 12-Uhr-Position stellt die gleichen Pegel für den linken und rechten Kanal ein. Eine Einrastung kennzeichnet diese Position.

Drehen des Einstellers im Uhrzeigersinn verschiebt die Balance nach rechts. Drehen des Einstellers gegen den Uhrzeigersinn verschiebt die Balance nach links.

Der Einsteller "BALANCE" beeinflusst nicht die Aufnahmen, die über die TAPE-Ausgänge gemacht werden, wirkt sich aber auf das Vorverstärker Ausgangssignal (PRE OUT) aus.

20. Lautstärke (VOLUME)

Der Einsteller "VOLUME" steuert die Gesamtlautstärke der Lautsprechersignale.

Auf der Fernbedienung sind zwei Tasten für die Lautstärke. Drücken Sie die Taste "UP" für eine Erhöhung und die Taste "DOWN" für eine Verringerung des Lautstärkepegels. Wenn Sie die Einstelltasten "DOWN" oder "UP" auf der Fernbedienung drücken, erscheint im Anzeigefeld "VOL DOWN" bzw. "VOL UP". Der Lautstärkeeinsteller mit Motorantrieb auf der Frontplatte bewegt sich dabei gleichzeitig nach unten oder nach oben.

HINWEIS:

Der Einsteller "VOLUME" beeinflusst nicht die Aufnahmen, die über die TAPE-Ausgänge gemacht werden, wirkt sich aber auf das Vorverstärker Ausgangssignal (PRE OUT) aus.

FERNBEDIENUNG**EINSETZEN UND AUSTAUSCHEN VON BATTERIEN**

Die Fernbedienung benötigt zwei 1,5 Volt AAA-Size (d. h. UM-4 oder IEC RO3) Batterien. Alkaline-Batterien werden für eine maximale Lebensdauer empfohlen.

Um das Batteriefach zu öffnen, greifen Sie mit Ihrer Fingerspitze in die Aussparung auf der Rückseite der Fernbedienung, drücken gegen den flexiblen Rand des Batteriefachdeckels und heben den Deckel nach oben ab. Legen Sie neue Batterien ein, ausgerichtet nach der Darstellung im Batteriefach. Die Spulenfedern sollten Kontakt mit der Minuseite (-) jeder Batterie haben. Setzen Sie den Batteriefachdeckel wieder ein und drücken ihn vorsichtig hinein bis er einrastet.

Manchmal kann eine schlechte Funktion von Korrosion oder Hautfettresten an den Batteriekontakten verursacht werden. Nehmen Sie die Batterien heraus, säubern die Metallkontakte an beiden Enden mit einem sauberen Tuch oder

Radiergummi und legen die Batterien unter Beachtung der richtigen Ausrichtung wieder ein.

Taste "STAND-BY" (grün):

Drücken Sie diese Taste, wenn Sie das Gerät aus dem Betriebsmodus in den Stand-by-Modus und umgekehrt schalten wollen: Drücken Sie diese Taste noch einmal, um das Gerät aus dem Stand-by-Modus einzuschalten.

HINWEIS:

Der Stand-by-Modus wird durch die gelbe Leuchtanzeige über dem Schalter "POWER" auf der Frontplatte (Nr. 1) angezeigt.

Im Stand-by-Modus verbraucht der L 40 sehr wenig Energie. Wir empfehlen aber, das Gerät ganz auszuschalten, wenn es für einige Tage nicht benutzt werden sollte. Das Gerät wird durch Drücken auf die Drucktaste "POWER" auf der Frontplatte (Nr. 1) ganz ausgeschaltet. Dabei verlöschen alle Leuchtanzeigen.

Tasten "VOLUME UP" und "DOWN":

Auf der Fernbedienung sind zwei Tasten für die Lautstärke. Drücken Sie die Taste "UP" für eine Erhöhung und die Taste "DOWN" für eine Verringerung des Lautstärkepegels. Wenn Sie die Einstelltasten "DOWN" oder "UP" auf der Fernbedienung drücken, erscheint im Anzeigefeld "VOL DOWN" bzw. "VOL UP". Der Lautstärkeeinsteller mit Motorantrieb auf der Frontplatte bewegt sich dabei gleichzeitig nach unten oder nach oben.

Taste "MUTE":

Wenn Sie diese Taste drücken, wird die Gesamtlautstärke beträchtlich verringert (um 20 dB). Das kann besonders dann von Vorteil sein, wenn man die Lautstärke schnell stark verringern möchte, z. B. um einen Telefonanruf entgegenzunehmen. Bei aktivem MUTE wird ungeachtet des gerade aktiven Modus im Anzeigefeld "MUTE" angezeigt.

Drücken Sie "MUTE" noch einmal, um den ursprünglichen Lautstärkepegel wiederherzustellen.

Taste "STOP":

Drücken Sie diese Taste, wenn Sie die CD-Wiedergabe anhalten oder die programmierte Wiedergabe löschen möchten. Auf der Frontplatte befindet sich ebenfalls eine Taste "STOP" mit derselben Funktion, die aber zusätzlich noch die CD-Schublade öffnet und schließt.

Tasten "CD", "TUNER", "AUX" und "TAPE":

Im Gegensatz zur Frontplatte befinden sich auf der Fernbedienung separate Tasten für jeden Eingang. Drücken Sie für den gewünschten Eingang die entsprechende Taste.

Die Tasten "PLAY/PAUSE", "SKIP/PRESET" und "DISPLAY" arbeiten in derselben Weise wie die gleichnamigen Tasten auf der Geräte-Frontplatte (siehe Nr. 6, 7 und 14 in der Frontplatten-Ansichtszeichnung).

WARTUNG

Öffnen Sie in regelmäßigen Abständen die CD-Schublade und entfernen Sie mit einem feuchten Tuch lose Staubablagerungen.

DER UMGANG MIT COMPACT-DISCS

Behandeln Sie CDs vorsichtig. Die Abspielseite einer CD wird durch kleine Staubpartikel, ein paar Fingerabdrücke oder leichte Kratzer nicht beeinträchtigt. Aber große Kratzer oder dicke, fettige Fingerabdrücke können den CD-Spieler beim Abtasten der CD durchaus behindern. (Übrigens, obwohl der Abtastlaser die CD durch die klare Seite "abspielt", befindet sich die Datenoberfläche eingebettet direkt unter der bedruckten Seite und ist nur durch eine sehr dünne Lackschicht geschützt. Deshalb kann ein Kratzer auf der bedruckten Seite die CD mehr beschädigen als ein ähnlicher Kratzer auf der transparenten "Abspielseite". Sie sollten daher beide CD-Oberflächen sorgsam behandeln.)

Starke Kratzer oder Fingerabdrücke können den CD-Player aus der Spur bringen (vorwärts springen oder wiederholen derselben Stelle). Weniger starke Beschädigungen können sehr kurze Spitzen von hochfrequentem Rauschen produzieren. Die Spur- und Fehlerkorrektur-Schaltkreise dieses NAD CD-Receiver sind so außergewöhnlich hochentwickelt, daß ein sicheres Abtasten selbst beeinträchtigter CDs, die in anderen CD-Playern nicht mehr abspielbar sind, gewährleistet ist. Trotzdem sollten CDs nicht mißhandelt oder unachtsam behandelt werden.

Am besten halten Sie die CDs nur am Rand. Eine andere sichere Methode ist das Hineinstecken eines Fingers in das Mittelloch, während mit dem Daumen am Rand die CD gut gehalten werden kann.

Jede CD sollte bei Nichtgebrauch in ihrer Schutzhülle aufbewahrt werden. Um eine Standard-CD-Jewellbox zu öffnen, umfassen Sie das obere und untere Ende der Hülle mit den Fingern und dem Daumen der linken Hand. Umfassen Sie nun die linken und rechten Ränder der Hülle mit den Fingern und dem Daumen der rechten Hand, und klappen die Hülle mit dem rechten Daumen auf.

Die CD wird im Innern der Hülle von einer hervorstehenden Nabe im CD-Mittelloch gehalten. Um die CD herauszunehmen, drücken Sie mit einem Finger leicht auf die Nabe, um die CD zu lösen und holen sie durch Halten des CD-Randes zwischen den Fingern und dem Daumen heraus. Um die CD wieder in die Hülle einzusetzen, richten Sie einfach das Mittelloch mit der Nabe aus und drücken die CD auf die Nabe.

REINIGUNGS-CDs

Verschmutzte CDs können durch Abwischen mit einem weichen, trockenen oder leicht mit Wasser

angefeuchteten Tuch gereinigt werden. Verwenden Sie KEINE üblichen Schallplattenreinigungsprodukte (Reinigungslösungen, Sprays, behandelte oder Antistatik-Tücher) und auch keine chemischen Lösungsmittel (Alkohol, Benzin usw.). Eine stark verschmutzte CD kann in einem warmen Wasserstrahl, mit ein wenig haushaltsüblichem Spülmittel versetzt, abgespült und danach mit einem trockenen und weichen Handtuch abgetrocknet werden.

Reinigen Sie eine CD nur mit RADIALEN Bewegungen (von der Mitte zum Rand). Wischen Sie niemals kreisförmig wie zur Reinigung von Schallplatten, da solche Wischbewegungen die CD stark verkratzen können. Ein radialer Kratzer schadet am wenigsten, weil nur ein sehr kleiner Teil der kreisförmigen Datenspuren davon betroffen ist. Die Fehlerkorrektur des CD-Players kann dies voll ausgleichen. Ein kreisförmiger Kratzer entlang einer Datenspur aber kann ein so langes, zusammenhängendes Datensegment beschädigen, daß eine Korrektur nicht mehr möglich ist.

WISSENSWERTES ÜBER DEN LASER

Der CD-Receiver verwendet zum Abspielen von CDs einen festen Halbleiter-Diodenlaser, der auf einem Spur-Servomechanismus montiert ist. Der Laser beleuchtet die Spur mikroskopisch kleiner Vertiefungen, die den digitalen Datenbits entsprechen, während Fotodioden das reflektierte Licht von der CD aufnehmen und in ein elektronisches Signal umwandeln, das dann zur Erzeugung der Tonwellenform für jeden Stereokanal dekodiert wird.

Das Laserlicht ist durch seine Wellenlänge von nur 7800 Ängström (Infrarotbereich) für das menschliche Auge nicht sichtbar.

Kinder können den CD-Receiver völlig sicher verwenden. Der Laser arbeitet mit sehr wenig Energie und wird von den mechanischen Teilen im CD-Player verdeckt. Selbst wenn der CD-Player zerlegt ist, bleibt der Laser in einem optischen System verschlossen, das sein Licht nur 1 Millimeter von der Linse entfernt bündelt und danach sehr schnell zerstreut, wodurch die Lichtintensität auf vernachlässigbare Werte sinkt.

PROBLEMLÖSUNG

SYMPTOM	MÖGLICHE URSACHE	ABHILFE
<ul style="list-style-type: none"> Kein Netz wenn die Taste "POWER" auf "EIN" steht. 	<ul style="list-style-type: none"> Schlechte oder gar keine Netzkabelverbindung mit der Steckdose. Netz nicht eingeschaltet. 	<ul style="list-style-type: none"> Netzkabel fest in die Steckdose hineinstecken.
<ul style="list-style-type: none"> CD-Wiedergabe startet nicht. 	<ul style="list-style-type: none"> Die CD wurde verkehrt herum eingelegt. Die CD ist zu stark verschmutzt. 	<ul style="list-style-type: none"> CD mit der bedruckten Seite nach OBEN einlegen. CD säubern.
<ul style="list-style-type: none"> Kein Ton. 	<ul style="list-style-type: none"> Falsche Audiokabelverbindungen. Kein Sender ausgewählt oder sehr schwaches Signal. 	<ul style="list-style-type: none"> Eingänge und Lautsprecherverbindungen am L 40 überprüfen. Sender abstimmen.
<ul style="list-style-type: none"> Thermische Abschaltung. 	<ul style="list-style-type: none"> Ausschalten und Lautstärke verringern. 	<ul style="list-style-type: none"> Erst nach dem Abkühlen des Gerätes wieder einschalten. Interne Sicherung defekt, Fachhändler aufsuchen.
<ul style="list-style-type: none"> Kein Ton in einem Kanal. 	<ul style="list-style-type: none"> Lautstärke-Balance nicht gleich. Eingangsleitung ausgesteckt oder beschädigt. 	<ul style="list-style-type: none"> Balance-Einsteller in Mittelstellung (Raste) drehen. Anschlußleitungen und Verbindungen überprüfen.
<ul style="list-style-type: none"> Ton springt. 	<ul style="list-style-type: none"> Der L 40 ist Vibrationen oder Erschütterungen durch externe Einflüsse ausgesetzt. 	<ul style="list-style-type: none"> Aufstellungsort verändern.
<ul style="list-style-type: none"> Fernbedienung funktioniert nicht. 	<ul style="list-style-type: none"> Batterien in der Fernbedienung sind leer. Empfangssensor im CD-Player wird durch einen Gegenstand verdeckt. 	<ul style="list-style-type: none"> Batterien ersetzen Gerätes wieder einschalten. Alle Gegenstände direkt vor dem Anzeigefenster entfernen.
<ul style="list-style-type: none"> Hörbares Brummen. 	<ul style="list-style-type: none"> Lockere Kabelverbindungen. 	<ul style="list-style-type: none"> Lockere Kabelverbindungen.
<ul style="list-style-type: none"> Schwache Bässe; undeutliches Stereoabbild. 	<ul style="list-style-type: none"> Lautsprecheranschluß am Verstärker ist verpolt. 	<ul style="list-style-type: none"> "+" und "-" Anschlüsse an beiden Lautsprechern überprüfen.
<ul style="list-style-type: none"> Rauschen, Empfangsstörungen. 	<ul style="list-style-type: none"> Schwaches Signal. 	<ul style="list-style-type: none"> Senderabstimmung überprüfen. Antenne einstellen oder ersetzen.
<ul style="list-style-type: none"> Empfang verzerrt. 	<ul style="list-style-type: none"> Überlagerungen oder Streuungen von anderen Sendern. 	<ul style="list-style-type: none"> Senderabstimmung überprüfen. Antenne einstellen oder ersetzen.
<ul style="list-style-type: none"> Empfang mit pfeifenden und brummenden Geräuschen. 	<ul style="list-style-type: none"> Störungen von Computern oder Spielekonsolen. 	<ul style="list-style-type: none"> Senderabstimmung überprüfen. Störendes elektrisches Gerät ausschalten oder Abstand vergrößern.
<ul style="list-style-type: none"> Kein Sender im Suchlauf gefunden. 	<ul style="list-style-type: none"> Unzureichendes Antennensignal. 	<ul style="list-style-type: none"> Antennenverbindung überprüfen. Position der Bandantenne einstellen.

MANUAL DE INSTRUCCIONES DEL RECEPTOR CD NAD L 40.

GUÍA DE REFERENCIA RÁPIDA:

Generalidades: cómo ...	Vea Capítulo	Sección
conectar los altavoces	Conexiones Panel Trasero	1
conectar la antena de FM	Conexiones Panel Trasero	5
conectar y usar NAD-Link	Conexiones Panel Trasero	6
conectar una grabadora de cintas	Conexiones Panel Trasero	2
conectar una fuente de sonido extra (tocabiscos MiniDisc, Televisión) a AUX	Conexiones Panel Trasero	3
poner Power en on/off o en Stand-by/on	Control Panel Delantero	1
usar la toma de auriculares	Control Panel Delantero	2
seleccionar una fuente	Control Panel Delantero	8
usar los controles Tone y Tone Defeat	Control Panel Delantero	13 y 18
usar Bass EQ	Control Panel Delantero	15
usar el control remoto	Control Remoto	
cambiar las pilas del control remoto	Control Remoto	
Sintonizador: cómo...		
introducir un preajuste	Control de Panel Delantero	10
borrar un preajuste	Control de Panel Delantero	12
añadir/cambiar un nombre de preajuste	Control de Panel Delantero	11
sintonizar una estación de radio automáticamente (buscar)	Control de Panel Delantero	17
sintonizar una estación de radio manualmente	Control de Panel Delantero	17
sintonizar una estación de radio débil (mute off)	Control de Panel Delantero	16
visualizar información RDS (PS: nombre de estación y RT: Texto de Radio)	Control de Panel Delantero	14
CD: cómo...		
cargar una CD	Control de Panel Delantero	3 y 5
escuchar un CD	Control de Panel Delantero	6
parar un CD	Control de Panel Delantero	6
saltar a una pista diferente	Control de Panel Delantero	7
poner modo de Repeat 1 y Repeat All	Control de Panel Delantero	9
programar para escucha selectiva de pistas	Control de Panel Delantero	10 y 12
poner Random Play	Control de Panel Delantero	11
visualizar información de duración de CD	Control de Panel Delantero	14
explorar dentro de las pistas	Control de Panel Delantero	17

NOTAS SOBRE LA INSTALACION

Su L 40 ha de colocarse sobre una superficie firme y nivelada. Evite colocarlo bajo la luz directa del sol o cerca de fuentes de calor y humedad.

Deje una ventilación adecuada. No coloque el equipo sobre una superficie blanda como una alfombra. No lo ponga en una posición cerrada como una biblioteca o armario que pueda impedir el paso del aire por las ranuras de ventilación.

Desconecte el equipo antes de hacer cualquier conexión.

Use conductores y conectores RCA del alta calidad para rendimiento y fiabilidad óptimos. Asegure que los conductores y conectores no estén dañados en modo alguno y que todos los conectores estén firmemente enchufados. Los conectores RCA de su L 40 tienen código de color: rojo para audio Derecha y blanco para audio Izquierda.

Para mejor rendimiento, use conductores de altavoz de calidad de grosor calibre 16 o más.

Si el equipo no va a usarse durante algún tiempo, desconecte el enchufe de la toma de CA.

Si entra agua en su L 40 corte la alimentación eléctrica al equipo y quite el enchufe de la toma de CA. Haga que un técnico de servicio cualificado inspeccione el equipo antes de intentar usarlo otra vez.

No quite la cubierta, en el interior no hay piezas que puedan ser objeto de servicio por el usuario.

Use un paño seco para limpiar el equipo. Si es necesario, humedezca un poco el paño con agua jabonosa. No use soluciones que contengan benzol ni otro agente volátil.

CONEXIONES DE PANEL TRASERO

1. ALTAVOCES

Salidas para los altavoces con impedancia de 4 ohmios o más.

El terminal 'RIGHT+' (derecho) debe conectarse al terminal '+' de su altavoz derecho y el 'RIGHT-' ha de conectarse al terminal '-' del altavoz.

Conecte los terminales de altavoz izquierdo marcados con 'LEFT+' y 'LEFT-' de la misma manera.

Recomendamos cables trenzados para trabajos pesados o cables especiales de altavoz para conectar los altavoces L 40.

Los terminales de poste de doblado de alta corriente pueden usarse como terminal de tornillo para cables terminados con conectores de horquilla o de patilla, o para cables con extremos no cubiertos.

CONECTORES DE HORQUILLA

Estos conectores deben ranurarse bajo los casquillos de tornillo de los terminales, y luego apretarse plenamente. Asegure que los conectores estén firmemente sujetos y que no haya peligro de que metal no cubierto de los conectores de horquilla toque el panel

trasero u otros conectores, porque esto podría causar daño.

CABLES NO CUBIERTOS Y CONECTORES DE PATILLA

Los cables no cubiertos y conectores de patilla deben insertarse en el orificio del eje de los terminales de altavoz. Desenrosque el casquillo de plástico del terminal de altavoz hasta que el orificio del eje del tornillo quede expuesto. Inserte la patilla o extremo de cable no cubierto en el orificio y sujételo apretando el casquillo del terminal.

Evite que metal no cubierto de los cables de altavoz toque el panel trasero u otro conector. Asegure que hay únicamente 1 cm de cable no cubierto o patilla y que no haya torones de cable de altavoz sueltos.

2. TAPE IN/OUT(entrada/salida de cinta)

Conexiones para grabación analógica y escucha de una grabadora de cintas de audio de cualquier tipo. Usando un conductor doble RCA-a-RCA, conecte la salida izquierda y derecha (etiquetada muchas veces como "playback", "Line out", "Output", "Analogue output") de la grabadora de cintas a los conectores TAPE IN del L 40 para escuchar. Conecte la entrada izquierda y derecha (etiquetada muchas veces como "Record", "Line in", "Input", "Analogue Input") de la grabadora de cintas a los conectores TAPE OUT del L 40 para grabar.

3. AUX INPUT (entrada auxiliar)

Entrada para señales adicionales de entrada de nivel de línea como un tocadiscos MiniDisc. Use un conductor doble RCA-a-RCA para conectar los equipos auxiliares de salidas de nivel de línea de derecha e izquierda (etiquetadas muchas veces como "Line Out", "Output", "Analogue Output") a la entrada.

4. PRE OUT (salida previa)

Conexiones para un amplificador de potencia externa.

5. FM ANTENNA (antena de FM)

Se incluye una antena de FM de cable cinta y debe conectarse al conector FM ANTENNA en la parte trasera del equipo usando el adaptador 'balun' que se suministra. La antena cinta ha de montarse sobre una superficie vertical y colocarse de modo que forme una 'T'.

Experimente con la colocación de la antena para descubrir la posición que da la mejor fuerza de señal y el menor ruido de fondo.

Normalmente una señal FM inadecuada es el resultado de un alto nivel de susurro, especialmente con recepción estéreo, e interferencia de fuentes eléctricas externas. El rendimiento de la sección de sintonizador puede mejorarse usando una antena de FM montada externamente. Un instalador de antenas cualificado podrá asesorarle y montar una antes recomendada para sus condiciones de recepción.

6. NAD-LINK IN, OUT

(entrada, salida de conexión NAD)

Los conectores NAD-Link se usan para pasar órdenes desde el control remoto a/desde otros equipos equipados con conectores NAD-Link. Esto permite el control central de un sistema completo o da control del sistema desde más de una habitación y funcionamiento de control remoto de equipos NAD que por sí solos no pueden controlarse remotamente.

Para funcionar con otros equipos, conecte el NAD-LINK OUT del L 40 al NAD-LINK IN del otro equipo. Los conectores NAD-LINK pueden encadenarse en margarita, IN con OUT, de modo que un sistema puede controlarse desde las facilidades de control remoto de un equipo.

7. CORDON DE ALIMENTACION DE CA

Conecte el cordón de Alimentación de CA a una toma adecuada de salida de CA.

CONTROL DE PANEL DELANTERO

1. POWER (alimentación)

Pulse el pulsador POWER para poner el equipo en ON (conectado). La pantalla y diodo LED de control de volumen se encienden.

Pulsando otra vez el interruptor POWER el equipo se pone en OFF (desconectado) completamente. El L40 usa un sistema de memoria de respaldo para memorizar información de estaciones de preajuste para el sintonizador. Esta información se retiene en la memoria durante varias semanas aunque el equipo se desconecte completamente o se desenchufe.

CONTROL REMOTO:

Pulsador STAND-BY (en reserva) (verde)

Pulse este pulsador para cambiar el equipo que está funcionando a modo Stand-by y viceversa. Pulse otra vez este pulsador para poner el equipo en On a partir de Stand-by

NOTA:

El modo Stand-by se indica por la luz ámbar que está justo encima del pulsador verde POWER en el panel delantero (No. 1).

En modo Stand-by el L 40 usa muy poca alimentación eléctrica. No obstante, recomendamos que desconecte totalmente el equipo si no va a usarlo durante más de un par de días. Desconéctelo completamente pulsando el pulsador POWER del panel delantero (No. 1), se apagan entonces todas las luces.

2. AURICULARES

Se suministra para escuchar para auriculares una toma de enchufe jack estéreo de 1/4 pulgadas que funciona con auriculares convencionales de cualquier impedancia. Insertando un jack de auriculares en la toma se desconectan automáticamente los altavoces.

Los controles de volumen, tono y equilibrio funcionan para escuchar con auriculares. Use un adaptador adecuado para conectar los auriculares con otros tipos de conectores, que tengan un enchufe jack estéreo de 3,5 mm tipo 'estéreo personal'.

NOTA:

Asegure que el control de volumen esté puesto a mínimo (totalmente a la izquierda) antes de conectar los auriculares.

Si escucha a altos niveles puede dañar su oído.

3. CAJON DE DISCOS

Para cargar un disco, pulse el pulsador STOP/OPEN (parada/abrir) (No. 5) para abrir el cajón de discos. Coloque el CD dentro del entrante circular grande del cajón, con su superficie transparente de escucha cara abajo. La etiqueta debe estar cara arriba.

Pulse otra vez OPEN para cerrar el cajón o pulse PLAY/PAUSE (escucha/pausa) para cerrar el cajón y comenzar a escuchar.

Pueden escucharse discos CD-3 (discos 'singles' CD de 3 pulgadas) sin ayuda de un adaptador. Coloque el disco en el cajón, centrado en el entrante circular más pequeño, con su etiqueta cara arriba.

NOTA:

El tocadiscos no se ha diseñado para que sirva para un 'damping disc' (disco volcado), colocado en un CD, ni dos discos CD amontonados. Sirve para escuchar discos de audio CD, pero no discos identificados como CD-V, DVD, CD-I, CD-ROM, o PHOTO CD.

4. PANTALLA (LCD)

(visualizador de cristal líquido)

La pantalla del visualizador LCD da información sobre la entrada y estado seleccionados del CD y del Sintonizador.

EN MODO CD:

NUMERO DE PISTA. Cada disco está dividido en pistas numeradas en que se hace la grabación, típicamente cada pista numerada corresponde a una canción, movimiento sinfónico, etc. diferente.

Estos números de pista están identificados en el paquete CD y están codificados en el disco por el fabricante.

Normalmente la sección alfanumérica de la pantalla muestra el tiempo transcurrido desde el comienzo de la pista actual. Usando el pulsador DISPLAY (visualizado) (No. 14) usted puede hacer que la pantalla muestre la duración de escucha que queda hasta el final del disco.

Se enciende durante la escucha una ► con la flecha apuntando a la derecha cerca del borde izquierdo de la pantalla. Dos barras verticales ■■ indican que el tocadiscos está en pausa (parado).

En modo Stop (parada) la pantalla vuelve a mostrar el número de pistas y la duración total de escucha del disco.

“NO DISC” (sin disco) “REPEAT 1” (repetición de 1)

se indica en la pantalla cuando no hay disco en el cajón o cuando carga usted un disco que no puede leerse (porque está sucio o está puesto del revés).

“REPEAT 1” (repetir 1)

se enciende la esquina superior izquierda cuando se escucha en repetición una pista individual.

“REPEAT ALL” (repetir todo)

se enciende durante la escucha en repetición de todo el disco CD o todas las pistas programadas.

Tanto **“REPEAT 1”** como **“REPEAT ALL”** pueden ponerse pulsando el pulsador No. 9.

“TOTAL REMAIN” (total restante)

Se enciende en el área central de la pantalla si usted ha pulsado el pulsador DISPLAY (visualizar) para mostrar la duración restante del disco.

“RANDOM” (al azar). Cuando el L 40 está en modo de escucha al azar se muestra en el panel de pantalla **“RANDOM”**.

“PROGRAM” (programa) se enciende cuando el tocadiscos de CD se programa para escuchar una selección específica de pistas (usando los pulsadores STORE (memoria) y CANCEL (cancelar), Nos. 10 + 12). También se enciende PROGRAM durante la escucha preprogramada de un CD.

IN TUNER MODE (en modo de sintetizador):

La sección alfanumérica de la pantalla muestra normalmente el número de preajuste y el nombre de la estación si se recibe una estación RDS, o el nombre programado. Si no se programó nombre alguno o es una estación de radio sin RDS la frecuencia de recepción está visualizada en Megahertzios (MHz).

“ANTENA” y las barras horizontales directamente debajo se encienden en la pantalla para indicar la fuerza de la señal de la estación de radio que se recibe. Cuantas más barras se enciendan, más fuerte es la señal.

Centre Tune (sintonización central), indicada por un punto directamente sobre el indicador **“TONE DEFEAT” (desvío de tono)** se enciende si el sintonizador está exactamente sintonizado en la frecuencia central de la estación de radio. También se enciende cuando el equipo recibe una orden remota

“RDS”, en la esquina superior derecha, se enciende cuando se recibe información RDS de una estación de radio que transmite.

GENERALIDADES:

‘BASS EQ’ (igualación de bajos) se enciende en pantalla si se ha seleccionado BASS EQ (No. 15).

‘TONE DEFEAT’ (desvío de tono) se enciende en pantalla si se ha seleccionado TONE DEFEAT (No. 13).

RECEPTOR REMOTO. Un sensor de infrarrojos, situado en la parte izquierda de la ventanilla de pantalla, recibe órdenes desde el control remoto. Ha de haber un paso de línea de mira libre desde el control remoto hasta dicha ventanilla. Si este paso está obstruido puede funcionar el control remoto. Cuando el equipo recibe una orden desde el control remoto, esto se indica en la pantalla con un punto en intermitente.

5. STOP/OPEN (parada/abrir)

Al pulsar este pulsador una vez se para la escucha del CD, se cancela cualquier ciclo de escucha repetida y se reajusta el fonocaptor al comienzo del disco. La pantalla vuelve a mostrar el número de pistas y duración total de escucha del disco.

Pulse este pulsador otra vez para abrir el cajón de discos; púselo otra vez para cerrar el cajón.

Cuando está cerrado el cajón, el tocadiscos explora la ‘tabla de contenido’ del disco y visualiza el número de pistas y duración total de escucha del disco. Si usted pulsa PLAY para cerrar el cajón se salta esta información y el equipo comienza la escucha del disco CD en la Pista 1.

NOTA:

El cajón de discos se abre y cierra mediante un motor interno. No cierre el cajón a mano cuando el equipo no tenga alimentación eléctrica.

REMOTO:

En el control remoto hay también un pulsador STOP (parada) que realiza casi la misma función que el pulsador del panel delantero del L 40, no obstante este pulsador no abre ni cierra la puerta de bandeja.

6. PLAY/PAUSE (escucha/pausa)

Pulse el pulsador PLAY/PAUSE para iniciar la escucha de un CD, el modo PLAY se identifica con ► con flecha a la derecha en la pantalla.

Pulse otra vez PLAY/PAUSE para parar la escucha momentáneamente (el tocadiscos de CD está ahora en modo de “Pause” (pausa), que se identifica con ■■ de dos barras verticales en la pantalla.

Para reanudar la escucha en el punto exacto en que se hizo la pausa, pulse otra vez PLAY/PAUSE. Si usted no quiere reanudar la escucha en el mismo punto, puede usar los controles SKIP/PRESET (No. 7) o SEARCH/TUNE (No. 17) para que el fonocaptor vaya a un punto diferente de partida antes de cruzar otra vez PLAY.

En el control remoto hay también un pulsador PLAY/PAUSE. Este pulsador realiza las mismas acciones que el pulsador del panel delantero.

7. SKIP PRESET (saltar un preajuste)

El control SKIP/PRESET de hecho hace funcionar dos pulsadores a cada lado del control, indicados por sonidos pip pequeños. Para accionarlos, pulse uno de los pip deseado, el de la izquierda para SKIP BACK (saltar atrás) ◀◀, el derecho para SKIP FORWARD ▶▶.

EN MODO CD:

SKIP BACK (saltar atrás) ◀◀

El pulsador SKIP ◀◀ hace que el láser salte hacia atrás al comienzo de cada pista numerada del disco. La primera pulsación salta atrás al comienzo de la pista actual. Pulse SKIP ◀◀ dos veces en rápida sucesión para saltar atrás a la pista precedente. Si se pulsa continuamente el tocadiscos salta a las pistas precedentes repetidamente hasta que se suelta el pulsador.

SKIP FORWARD (saltar adelante) ▶▶

Durante la escucha, si se pulsa SKIP ▶▶ se hace que el láser salte al comienzo de la pista siguiente y comience a escucharse allí. Así, para muestrear cada canción de un disco, pulse PLAY y luego pulse otra vez ▶▶ después de que haya escuchado unos segundos cada pista. Si se pulsa continuamente el pulsador salta a las pistas numeradas más alta repetidamente hasta que se suelta el pulsador.

EN MODO SINTONIZADOR:

PRESET (preajuste)

Pulse PRESET arriba y abajo para seleccionar una de las estaciones de Preajuste FM. Cada vez que se pulsan los pulsadores, el panel de pantalla muestra el número del preajuste y la frecuencia del mismo, o el nombre de la estación si es una radio de RDS.

En el control remoto hay pulsadores de SKIP/PRESET. Estos pulsadores realizan las mismas acciones que los pulsadores del panel delantero.

8. INPUT SELECTOR (selector de entrada)

El control INPUT SELECTOR tiene de hecho dos pulsadores a cada lado del control, indicados por sonidos pip pequeños. para hacer funcionar el control, pulse uno de los pip deseados.

Si se pulsa el lado derecho del control se hace que el L 40 repase sus entradas en la secuencia siguiente: CD > Aux > Tape > Tuner > CD.

Si se pulsa el lado izquierdo del control se hace que el L 40 repase las entradas en orden inverso: CD > Tuner > Tape > Aux > CD.

Pulse repetidamente uno de los dos pulsadores hasta que se muestre en la pantalla la fuente deseada.

CONTROL REMOTO:

El control remoto tiene pulsadores separados para cada entrada. Pulse el pulsador correspondiente para la entrada deseada.

9. REPEAT (repetir)

Este pulsador pone un ciclo de repetición sin fin. Pulse el pulsador REPEAT una vez para seleccionar el modo REPEAT 1, que repite únicamente la pista actual una y otra vez.

Si se pulsa el pulsador REPEAT otra vez, selecciona el modo REPEAT ALL, modo en el que se escucha una y otra vez el disco entero o una selección preprogramada de pistas desde el principio hasta el fin. Pulse el pulsador Repeat por tercera vez para cancelar el ciclo de repetición y volver al funcionamiento normal.

10. STORE (memoria)

EN MODO CD:

El receptor CD L 40 le permite preprogramar el tocadiscos de CD para saltar las pistas de un CD que no quiere escuchar (programación negativa). La programación del tocadiscos de CD sólo puede hacerse estando un CD en la bandeja y en modo Stop.

Para poner modo Program (programa) pulse STORE. Use los pulsadores SKIP/PRESET para elegir la pista que usted quiere escuchar, el número de la pista queda en intermitente en pantalla. Pulse CANCEL (No. 12) para confirmar la pista que desea borrar. La pantalla confirma la cancelación de esta primera pista indicando "P--01".

Seleccione la pista siguiente que desea saltar y pulse otra vez CANCEL, la pantalla indica "P--02", repita este procedimiento hasta que todas las pistas que usted no desee escuchar se hayan seleccionadas.

Seleccionadas todas las pistas que no desea escuchar, pulse el pulsador PLAY para comenzar a escuchar todas las pistas restantes. Durante la Program Play (escucha de programa), se enciende en pantalla la palabra "PROGRAM".

NOTA:

Si se pulsa STOP/OPEN (No. 5) se borra un programa y se sale del modo Program. Cambiando a una fuente diferente (como el sintonizador como por ejemplo) se borra también cualquier programa y se sale del modo Program.

EN MODO SINTONIZADOR:

El Receptor de CD L 40 le permite memorizar hasta 30 estaciones de radio (preajustes) en su memoria.

Para memorizar una estación como preajuste, sintonice primero la estación de radio deseada usando los pulsadores de control SEARCH/TUNE (búsqueda/sintonización) (No. 17).

Pulse el pulsador STORE. El panel de pantalla muestra el número de preajuste disponible más bajo durante unos 6 segundos.

Dentro de estos 6 segundos, pulse otra vez STORE para memorizar la estación con este número de preajuste.

Si desea usar un número de preajuste diferente, use los botones de control SKIP/PRESET (No. 7) para seleccionar el número deseado antes de pulsar otra vez Store. Observe que sólo se muestran los números de preajuste que están vacíos; si desea usar un número de preajuste que ya se ha usado, tendrá que borrar primero ese preajuste (vea la sección CANCEL, No. 12).

NOTA:

A parte de la estación de radio misma, el L 40 recuerda también si se seleccionó Mono (No. 16). Esto es particularmente útil si desea escuchar frecuentemente una estación débil. El procedimiento es el mismo que se describe antes, pero después de haber seleccionado el número de preajuste deseado, seleccione MONO (No. 16); se apaga en la pantalla la palabra "STEREO". Pulse STORE.

NOTA:

El modo Store se cancela automáticamente transcurridos unos 5 segundos si no se ha pulsado otro botón.

11. RANDOM (al azar)

EN MODO CD:

Si se pulsa el pulsador RANDOM se escuchan todas las pistas del CD al azar. Pulse RANDOM desde el modo Stop o Play y el L 40 comenzará a que se escuche las pistas del CD al azar hasta que se hayan escuchado todas las pistas.

Pulse otra vez el pulsador RANDOM para cancelar la escucha al azar y hacer que el L 40 vuelva a modo Play normal.

Mientras el L 40 está en modo Random la Pantalla muestra la palabra 'RANDOM'.

Puede usarse RANDOM junto con el modo REPEAT ALL. El L 40 continúa con otro ciclo de escucha al azar después de completar un ciclo de escucha al azar.

NOTA:

RANDOM puede usarse junto con "Program Play" (vea la sección No. 10)

EN MODO SINTONIZADOR:

Muchos encuentran difícil recordar qué estación de radio corresponde a qué frecuencia. Para evitar tal confusión, usted puede dar a cada preajuste un nombre de hasta 8 caracteres. Cuando quiera volver a

escuchar tal preajuste, se visualizará en pantalla el nombre en lugar de la frecuencia. Por ejemplo, 91.30 corresponde a BBC Radio 3; en este caso el preajuste puede programarse para que se ponga en pantalla "BBC R3" siempre que se escuche este preajuste.

Hay dos modos de nombrar un preajuste; nombrar y memorizar la estación en un preajuste al mismo tiempo, o nombrar un preajuste ya ocupado.

PARA NOMBRAR Y MEMORIZAR UN PREAJUSTE

Sintonice la estación de radio deseada usando los pulsadores de control SEARCH/TUNE (No. 17). Pulse el pulsador REPEAT, aparte de una línea intermitente, la pantalla no muestra nada. Dentro del tiempo por defecto de 10 segundos usted puede ahora introducir el primer carácter deseado.

Seleccione el carácter usando uno de los pulsadores de control SKIP/PRESET (No. 7). Si pulsa el pulsador de control derecho SKIP/PRESET se repasan los caracteres disponibles en orden numérico y alfabético: (espacio en blanco) > 0 > 1 > 2 > 3 hasta el 9 > A > B > C hasta Z > (espacio en blanco) > 0 > 1 > 2 > etc. Pulse el pulsador de control izquierdo SKIP/PRESET para repasar los caracteres en orden inverso: Z > Y > X hasta A > 9 hasta 3 > 2 > 1 > 0 > (espacio en blanco) > Z > Y > X > etc.

Use el pulsador de control derecho SEARCH/TUNE (No. 17) para pasar a la posición siguiente de la derecha para introducir el segundo carácter y repita seleccionando un carácter como se describe antes.

Introduzca todos los demás caracteres usando los pulsadores de control SKIP/PRESET y SEARCH/TUNE como se describe antes.

Correctamente introducidos todos los caracteres, pulse STORE (No. 10).

Pulse otra vez STORE para asignar un número de preajuste (vea la sección 10).

PARA NOMBRAR UN PREAJUSTE YA USADO

Llame a pantalla el preajuste que desea nombrar. Pulse el pulsador REPEAT, aparte de una línea intermitente la pantalla no muestra nada. Dentro del tiempo por defecto de 10 segundos usted puede ahora introducir el primer carácter deseado.

Seleccione el carácter usando uno de los pulsadores de control SKIP/PRESET (No. 7). Si pulsa el pulsador de control derecho SKIP/PRESET se repasan los caracteres disponibles en orden numérico y alfabético: (espacio en blanco) > 0 > 1 > 2 > 3 hasta el 9 > A > B > C hasta Z > (espacio en blanco) > 0 > 1 > 2 > etc. Pulse el pulsador de control izquierdo SKIP/PRESET para repasar los caracteres en orden inverso: Z > Y > X hasta A > 9 hasta 3 > 2 > 1 > 0 > (espacio en blanco) > Z > Y > X > etc.

Use el pulsador de control derecho SEARCH/TUNE (No. 17) para pasar a la posición siguiente de la derecha para introducir el segundo carácter y repita seleccionando un carácter como se describe antes.

Introduzca todos los demás caracteres usando los pulsadores de control SKIP/PRESET y SEARCH/TUNE como se describe antes.

Correctamente introducidos todos los caracteres, pulse STORE (No. 10). Ahora ya se ha nombrado el preajuste.

NOTA:

Siempre es posible cambiar un nombre. Use el mismo procedimiento descrito bajo el título "Para nombrar un preajuste ya memorizado". En lugar de una línea en blanco, el primer carácter comienza a ponerse en intermitente en pantalla al pulsar REPEAT; usted puede simplemente "sobreescribir" seleccionando un nuevo carácter.

NOTA:

No es posible volver a nombrar una estación de radio de RDS; el nombre transmitido (PS) queda memorizado y se presenta automáticamente en pantalla.

12. CANCEL (cancelar)

EN MODO CD:

El pulsador CANCEL funciona junto con el pulsador STORE (No. 10) y le permite borrar las pistas que no desea escuchar.

Vea la sección STORE (No. 10) sobre cómo programar y poner el Program Play.

EN MODO SINTONIZADOR:

Para borrar un preajuste específico, seleccione el preajuste y pulse CANCEL; el número del preajuste en pantalla comienza a ponerse en intermitente. Dentro del tiempo por defecto de 6 segundos, pulse otra vez CANCEL. Para confirmar que este número de preajuste queda ahora vacío, la pantalla mostrará el mensaje: "PRESET CLEAR" (preajuste vacío).

13. TONE DEFEAT

El pulsador TONE DEFEAT desvía la sección de control de tono del L 40. Si usted deja normalmente los controles de tono en la posición de las 12 horas es aconsejable quitar la sección de control de tono totalmente pulsando el pulsador TONE DEFEAT. Para indicar que está activado TONE DEFEAT, se enciende en pantalla "TONE DEFEAT". Desviando los circuitos electrónicos de control de tono se asegura una calidad de audio algo mejor y una respuesta de frecuencia inalterada.

14. DISPLAY

EN MODO CD:

El pulsador DISPLAY tiene tres modos:

TIME (duración): El tiempo transcurrido en minutos y segundos desde el comienzo de la pista actual. (Este es el ajuste 'por defecto', seleccionado automáticamente al conectarse el tocadiscos).

REMAIN (restante): El tiempo restante de escucha hasta el final del disco y el número total de pistas restantes (incluyendo la pista actual), o el número de pistas restantes y el tiempo de duración de programa de Play.

TOTAL: el número total de pistas y tiempo de escucha del disco.

EN MODO SINTONIZADOR:

Cuando se recibe una estación de radio de RDS, el pulsador DISPLAY repasa los tres modos:

Por defecto, si se sintoniza una estación de radio de RDS el nombre de la estación se muestra en pantalla (RDS PS).

Pulse el pulsador DISPLAY una vez para mostrar cualquier Texto de Radio (RDS RT). La información de texto de radio puede consistir en el nombre del programa o presentador, la canción que se escucha, etc. El texto recorre continuamente la pantalla. Si la estación no transmite ningún Texto de Radio la pantalla muestra esto indicando "NO TEXT" (sin texto).

Pulse el pulsador otra vez para mostrar la frecuencia de estación y fortaleza de señal.

Pulse el pulsador una vez más para volver a la pantalla por defecto con el nombre de la estación de radio (RDS PS).

Si se pulsa el pulsador DISPLAY cuando el equipo está sintonizado a una estación de radio sin RDS la pantalla da el mensaje "NO RDS" durante 5 segundos antes de volver otra vez a la pantalla normal.

15. BASS EQ (igualación de bajos)

Los altavoces pequeños son típicamente menos capaces de producir bajos profundos debido a sus limitaciones físicas. La prestación BASS EQ compensa este defecto, ampliando notablemente la respuesta útil de los altavoces. Por supuesto las frecuencias muy bajas no están en todas las músicas o grabaciones y muchas veces el efecto de BASS EQ no será siempre obvio. Con música que tiene mucha información de bajos profundos el efecto demostrará ser una mejora obvia y enorme.

Pulse el pulsador BASS EQ para activar esta prestación; se ilumina en pantalla "BASS EQ".

Pulse el pulsador BASS EQ otra vez para desactivarlo.

NOTA:

Además el circuito BASS EQ tiene incorporado un filtro infrasónico que baja la respuesta de sonido por debajo de 25 Hz para impedir la amplificación inapropiada de señales no musicales por debajo de la gama de audio. Con música que tenga bajos extremadamente profundos es posible sobreactivar el amplificador o los altavoces del L 40. Esto se nota por la distorsión; en tal caso desactive BASS EQ y/o baje el nivel de volumen hasta que el sonido quede otra vez sin distorsión.

16. MONO

Si se recibe una señal FM estéreo fuerte, su NAD L 40 automáticamente se conmuta a funcionamiento FM Estéreo, lo que se indica en pantalla con el indicador STEREO y el sintonizador se silencia cuando se busca entre estaciones.

No obstante, las señales débiles de estéreo pueden tener un alto nivel de susurro de fondo. Si se conmuta a modo Mono pulsando el pulsador MONO se cancela la mayoría de todo este ruido de fondo. Pulse otra vez el pulsador MONO para volver a funcionamiento FM de Estéreo Automático.

Es posible añadir estado de MONO a un preajuste. Des esta manera, si escucha frecuentemente una estación débil no necesitará ajustar cada vez manualmente el MONO. Vea la sección STORE (No. 10) para más información.

NOTA:

MONO funciona únicamente en la sección de sintonizador del L 40. El pulsador MONO no funciona se selecciona CD, Tape o Aux.

17. SEARCH/TUNE (buscar/sintonizar)

EN MODO CD:

SEARCH BACK (buscar atrás) ◀◀

El pulsador SEARCH ◀◀ hace que el fonocaptor óptico del tocadiscos de CD explore hacia atrás la grabación a alta velocidad. Este pulsador funciona solamente cuando el tocadiscos está en PLAY o PAUSE. Después de una orden de STOP, o después de cargar un nuevo disco, usted debe pulsar PLAY antes de que pueda funcionar el circuito de exploración.

Si se inicia la exploración mientras el tocadiscos está en PAUSE la exploración es silenciosa y unas 15-20 veces más rápida que la velocidad normal de escucha. Si se inicia la Exploración durante PLAY la música se escucha fragmentariamente mientras el tocadiscos la explora. Use esta 'exploración audible' para indicar al tocadiscos exactamente el punto en que desea reanudar la escucha.

Si usted explora hacia atrás hasta el comienzo del disco mientras escucha la Pista 1, el tocadiscos vuelve automáticamente a escucha normal.

SEARCH FORWARD (buscar adelante) ▶▶

El pulsador SEARCH ▶▶ hace que el fonocaptor óptico explore rápidamente hacia adelante la música. El comportamiento de esta función es similar a SEARCH ◀◀.

Si usted explora hacia adelante hasta el extremo del disco mientras escucha la pista final, el sonido para y la pantalla muestra la tabla de contenido. (No hay modo de 'envuelta alrededor').

EN MODO SINTONIZADOR:

El L 40 le permite sintonizar una estación de radio en dos modos, búsqueda manual o automática. Para hacer la búsqueda automática pulse el pulsador ◀◀ o ▶▶ en el control SEARCH/TUNE durante más de 1 segundo y suelte para sintonizar abajo o arriba la banda de frecuencia. El sintonizador automáticamente busca abajo o arriba la banda FM para encontrar la primera estación que se recibe con señal razonablemente fuerte. Encontrada una señal razonablemente fuerte, se para y sintoniza con precisión la estación de radio. El indicador Centre Tune (sintonización central) (un punto individual en la pantalla) se enciende cuando está una estación correctamente sintonizada.

Para sintonizar manualmente una estación de radio:

Pulse el pulsador ◀◀ o ▶▶ en el control SEARCH/TUNE para sintonizar abajo o arriba la banda de frecuencia. El sintonizador automáticamente busca abajo o arriba la banda FM. Cuando está en la proximidad de la frecuencia deseada pulse brevemente el otro lado del control SEARCH/TUNE para parar la búsqueda.

Con cada breve pulsación repetida de los pulsadores ◀◀ o ▶▶, el sintonizador realiza una pequeña etapa de sintonización de 0,025 MHz.

El indicador Centre Tune (sintonización central) (un punto individual en la pantalla) se enciende para indicar que la estación de radio ha sido sintonizada exactamente.

NOTA:

Algunas veces una estación de radio es tan débil que el nivel de señal está por debajo del nivel de umbral de silenciamiento (los circuitos de silenciamiento silencian el ruido que se escucha normalmente entre estaciones de radio) de modo que la estación de radio no puede oírse, aunque incluso se haya sintonizado con la frecuencia exacta. En tal caso pulse el pulsador MONO (No. 16) para desconectar el circuito de silenciamiento.

18. CONTROLES DE BASS Y TREBLE (bajos y trémolos)

Los controles de tono BASS y TREBLE ajustan el equilibrio tonal de su sistema.

La posición de las 12 horas es 'plana' sin refuerzo ni corte y un retén indica esta posición. Gire los controles a la derecha para aumentar o a la izquierda para disminuir, la cantidad de Bajos o Trémolos.

Los controles Tone (tono) no afectan a las grabaciones que se hagan con las salidas Tape pero afectarán a la señal que va a la salida del Preamplificador (Salida Pre).

NOTA:

Asegure que no esté activado TONE DEFEAT (No. 13) porque los controles de tono no funcionarán si lo está (se enciende en pantalla "TONE DEFEAT").

19 BALANCE (equilibrio)

El control BALANCE ajusta los niveles relativos de los altavoces izquierdo y derecho. La posición de las 12 horas da un nivel igual a los canales izquierdo y derecho. Un retén indica esta posición.

Si se gira el control a la derecha el equilibrio se va a la derecha. Si se gira el control a la izquierda el equilibrio va a la izquierda.

El control BALANCE no afecta a las grabaciones que se hagan con las salidas Tape pero afectarán a la señal que va a la salida del Preamplificador (Salida Pre).

20. VOLUME (volumen)

El control VOLUME ajusta el nivel de volumen general de las señales que se alimentan a los altavoces.

En el control remoto hay dos pulsadores para volumen. Pulse el pulsador UP (arriba) para aumentar el nivel de volumen, pulse el pulsador DOWN (abajo) para disminuir el nivel de volumen. Cuando se usa el pulsador de control de volumen DOWN o UP del control remoto, la pantalla indica respectivamente "VOL DOWN" o "VOL UP". El botón de control de volumen motorizado del panel delantero sirve para bajar o subir el volumen.

NOTA:

El control de Volumen no afecta a las grabaciones que se hagan con las salidas Tape pero afectarán a la señal que va a la salida del Preamplificador (Salida Pre).

CONTROL REMOTO

INSTALACION Y CAMBIO DE LAS PILAS

El control remoto necesita dos pilas de 1,5 voltios, tamaño AAA (esto es, UM-4 o IEC RO3). Las pilas alcalinas son las que recomendamos para obtener una máxima vida de funcionamiento.

Para abrir el compartimento de pilas coloque la punta su dedo en el entrante de la parte trasera del control remoto, empuje contra el borde flexible de la cubierta de las pilas y levante la cubierta. Instale pilas nuevas, orientándolas como se muestra en el diagrama que hay dentro del compartimento. Los muelles enrollados deben estar en contacto con el

lado (-) de cada pila. Empuje la cubierta del compartimento de pilas para colocarla otra vez y presione suavemente hasta que quede sujeta.

En algunos casos, el funcionamiento defectuoso puede estar causado por corrosión o huellas dactilares aceitosas en los contactos de las pilas. Quite las dos pilas, frote los contactos metálicos en ambos extremos de cada pila con un paño limpio o una goma de borrar, y vuelva a instalar las pilas, teniendo cuidado de orientarlas correctamente.

Pulsador STAND-BY (verde):

Pulse este pulsador para cambiar el equipo de funcionamiento a modo Stand-by y viceversa: pulse este pulsador otra vez para cambiar el equipo a funcionamiento a partir de Stand-by.

NOTA:

El modo Stand-by se indica con la luz ámbar que hay justo encima del pulsador verde de POWER en el panel delantero (No. 1). En modo Stand-by el L 40 usa muy poca corriente eléctrica. No obstante recomendamos que desconecte totalmente el equipo si no va a usarse durante más de un par de días. Desconecte completamente pulsando el pulsador POWER del panel delantero (No. 1), se apagan entonces todas las luces.

**Pulsadores VOLUME UP y DOWN:
(mayor y menor volumen)**

En el control remoto hay dos pulsadores para volumen. Pulse el pulsador UP (arriba) para aumentar el nivel de volumen, pulse el pulsador DOWN (abajo) para disminuir el nivel de volumen. Cuando se usa el pulsador de control de volumen DOWN o UP del control remoto, la pantalla indica respectivamente "VOL DOWN" o "VOL UP". El botón de control de volumen motorizado del panel delantero sirve para bajar o subir el volumen.

Pulsador MUTE (silenciamiento):

Pulsando este pulsador el nivel de volumen general se reduce notablemente (en 20 dB). Esto puede ser útil para bajar rápidamente el nivel de volumen para responder a una llamada telefónica, por ejemplo. Cuando el equipo está silenciado, la pantalla indica "MUTE", en cualquier modo que esté.

Pulse otra vez MUTE para restablecer el nivel de volumen original.

Pulsador STOP (parada):

Pulse este pulsador para parar la escucha de discos CD o para eliminar "Program Play". En el panel delantero hay también un pulsador STOP que realiza una función casi igual que la del pulsador del control remoto, no obstante este pulsador además abre y cierra la puerta de la bandeja de discos CD.

Pulsadores CD, TUNER, AUX y TAPE (CD, sintonizador, auxiliar y cinta):

Al contrario del panel delantero, el control remoto tiene pulsadores separados para cada entrada. Pulse el pulsador correspondiente a la entrada deseada.

Los pulsadores **PLAY/PAUSE, SKIP/PRESET** y **DISPLAY** funcionan de la misma manera que los que tienen el mismo nombre en el panel delantero del equipo (respectivamente los Nos. 6, 7 y 14 en el plano del panel delantero).

MANTENIMIENTO

A intervalos periódicos, abra el cajón de discos y límpielo con un paño húmedo para quitar cualquier polvo suelto.

MANEJO DE LOS DISCOS COMPACTOS

Maneje con cuidado los DISCOS COMPACTOS. La escucha de un disco no quedará impedida por pequeñas partículas de polvo, unas pocas huellas dactilares ligeras, o ligeros arañazos. Pero los arañazos grandes, o una capa gruesa de huellas dactilares aceitosas, pueden impedir que el tocadiscos siga las pistas de sonido del disco. (Digamos de paso que aunque el láser seguidor de las pistas 'toca' (hace escuchar) el disco a través de su lado transparente, la superficie de datos efectivos está metida directamente debajo de la etiqueta, protegida únicamente por una capa finísima de laca. Por lo tanto un arañazo que corte transversalmente la etiqueta puede dañar el disco más que un arañazo similar en la superficie transparente de 'escucha'. Por lo tanto usted debe tratar ambas superficies del disco con cuidado).

Los arañazos o huellas dactilares severos pueden hacer que el tocadiscos no siga las pistas correctamente (saltando adelante o repitiendo el mismo pasaje). Un daño menos severo puede producir ráfagas muy breves de ruido de alta frecuencia. Los circuitos de seguimiento de pista y corrección de errores del Receptor NAD de CD son desusadamente sofisticados, dando un seguimiento de pista seguro de los discos defectuosos que no pueden escucharse en algunos otros tocadiscos. No obstante, el disco debe tratarse sin abuso y manejarse con cuidado.

Para obtener los mejores resultados, tome el disco únicamente por sus bordes. Otro método seguro es poner un dedo en el orificio central, usando el pulgar en el borde para sostener el disco firmemente.

Cada disco debe mantenerse dentro de su estuche protector cuando no se use. Para abrir los estuches standard de plástico de CD tipo Philips, tome la parte superior e inferior del estuche con los dedos y el pulgar de la mano izquierda, luego tome los bordes izquierdo y derecho del estuche con los dedos y el pulgar de la mano derecha, y tire del estuche abriéndolo con el pulgar derecho.

El disco se mantiene en posición dentro del estuche mediante un cubo de expansión en el orificio

central. Para quitar el disco, presione el cubo con un dedo para soltar el disco, luego levante el disco y sáquelo agarrando sus bordes entre los dedos y el pulgar. Para volver a colocar el disco en el estuche, simplemente alinee su orificio central con el cubo y presione el disco en el cubo.

LIMPIEZA DE LOS DISCOS

Los discos sucios pueden limpiarse pasando un paño blando, seco o humedecido con agua. NO use productos convencionales de limpieza de discos LP (soluciones de limpieza, rociados, paños tratados, o preparaciones antiestáticas), ni tampoco ninguna clase de disolvente químico (alcohol, bencina, etc.). Un disco muy sucio se puede lavar con un rociado de agua templada, tal vez, con una pequeña cantidad añadida de detergente suave de cocina, y luego secarse con una toalla limpia y suave.

Cuando limpia el disco, use solamente movimientos RADIALES (desde el centro al borde). No use jamás un movimiento de limpieza circular como el que se usa para limpiar discos LP ordinarios, porque al limpiar el disco hay el riesgo de arañarlo. Un arañazo radial hará menos daño porque afecta solamente a una pequeña porción de cada pista circular de datos, lo que puede compensarse totalmente por los circuitos de corrección de errores del tocadiscos. Pero un arañazo circular que siga una pista de datos puede dañar un segmento continuo y largo tal de datos que no se pueda corregir.

SOBRE EL LASER

El Receptor de discos CD usa un láser de diodo semiconductor de estado sólido, montado en un servomecanismo de seguimiento de pistas, para escuchar el disco. El láser ilumina la pista de hoyos microscópicos que representan los bits de los datos digitales, mientras que los fotodiodos detectan la iluminación reflejada desde el disco y la convierten en una señal electrónica que luego se descodifica para recuperar la forma de onda musical en cada canal estéreo.

Usted no puede ver el láser mientras funciona, porque lo hace con una longitud de onda de 7800 Angstroms, que está en los infrarrojos y por lo tanto es invisible al ojo humano.

El Receptor de discos CD carece totalmente de peligro y lo pueden usar los niños. El láser funciona con una potencia bajísima y está escondido dentro del mecanismo del tocadiscos. Incluso aunque se desensamble el tocadiscos, el láser permanece sellado dentro de un sistema óptico que hace que su luz se enfoque solamente a 1 milímetro de la lente y luego se desvíe rápidamente, reduciendo su intensidad a niveles negligibles.

INVESTIGACION Y SOLUCION DE AVERIAS

SINTOMA	CAUSA POSIBLE	CORRECCION
<ul style="list-style-type: none"> Sin alimentación eléctrica cuando el pulsador POWER está en on. 	<ul style="list-style-type: none"> Conexión defectuosa o no existente del enchufe de alimentación de CA. No está conectada la alimentación. 	<ul style="list-style-type: none"> Inserte el enchufe de alimentación eléctrica en la toma de CA.
<ul style="list-style-type: none"> No comienza a escucharse el disco. 	<ul style="list-style-type: none"> El disco se ha carga del revés. El disco está demasiado sucio. 	<ul style="list-style-type: none"> Vuelva a cargar el disco con el lado de la etiqueta ARRIBA. Limpie el disco.
<ul style="list-style-type: none"> Sin sonido. 	<ul style="list-style-type: none"> Conexiones incorrectas de cable de audio. Estación no seleccionada o con señal débil. 	<ul style="list-style-type: none"> Compruebe las entradas y conexión de altavoces al L 40. Vuelva a sintonizarla.
<ul style="list-style-type: none"> Ha funcionado el corte térmico. 	<ul style="list-style-type: none"> Desconecte y reduzca en ajuste de volumen. 	<ul style="list-style-type: none"> Conecte después de que se enfríe el equipo. Fusible interno fundido, consulte al distribuidor.
<ul style="list-style-type: none"> Sin sonido en un canal. 	<ul style="list-style-type: none"> El equilibrio del control de Volumen es incorrecto. Desconectado o dañado el conductor de entrada. 	<ul style="list-style-type: none"> Reajuste el control de equilibrio a la posición de centro retén. Compruebe los conductores y las conexiones.
<ul style="list-style-type: none"> Los sonidos salta. 	<ul style="list-style-type: none"> El L 40 está sometido a vibración o choque físico procedente de fuentes externas. 	<ul style="list-style-type: none"> Cambien el lugar de instalación.
<ul style="list-style-type: none"> El control remoto no funciona. 	<ul style="list-style-type: none"> Se han gastado las baterías de Control Remoto. Objeto que obstruye el sensor remoto del tocadiscos. 	<ul style="list-style-type: none"> Cambie las baterías. Quite objetos que estén enfrente de la ventanilla de pantalla.
<ul style="list-style-type: none"> Se oye un zumbido. 	<ul style="list-style-type: none"> Conexión de cable floja. 	<ul style="list-style-type: none"> Compruebe las conexiones de cable.
<ul style="list-style-type: none"> Bajos débiles, imagen de estéreo difusa. 	<ul style="list-style-type: none"> Altavoces conectados al amplificador de potencia fuera de fase. 	<ul style="list-style-type: none"> Compruebe las conexiones "+" y "-" de ambos altavoces.
<ul style="list-style-type: none"> Recepción ruidos, susurro. 	<ul style="list-style-type: none"> Señal débil. 	<ul style="list-style-type: none"> Compruebe la sintonización de estación. Ajuste o cambie la antena.
<ul style="list-style-type: none"> Recepción distorsionada. 	<ul style="list-style-type: none"> Multipaso o interferencia de otra estación. 	<ul style="list-style-type: none"> Compruebe la sintonización de estación. Ajuste o cambie la antena.
<ul style="list-style-type: none"> Recepción con ruidos de silbido, zumbido. 	<ul style="list-style-type: none"> Interferencia de otras consolas de ordenadores, juegos. 	<ul style="list-style-type: none"> Compruebe la sintonización de estación. Desconecte o mueva la fuente de ruido eléctrico.
<ul style="list-style-type: none"> No se encuentra estación alguna en Modo de Búsqueda. 	<ul style="list-style-type: none"> Señal insuficiente de antena. 	<ul style="list-style-type: none"> Compruebe la conexión de la antena. Ajuste la posición de la antena cinta.

MANUALE DI ISTRUZIONE PER IL RICEVITORE- RIPRODUTTORE PER CDNAD L 40.

I

GUIDA A RIFERIMENTO RAPIDO:

Generale: - come:	Vedere: capitolo;	Sezione:
collegare gli altoparlanti	Connessioni pannello posteriore	1
collegare l'antenna FM	Connessioni pannello posteriore	5
collegare e impiegare il NADLink	Connessioni pannello posteriore	6
collegare un registratore a nastro	Connessioni pannello posteriore	2
collegare una sorgente supplementare audio (Riproduttore MiniDisc, televisione) all'AUX	Connessioni pannello posteriore	3
collegare e scollegare alla/dalla rete oppure in standby/accesso	Comando pannello anteriore	1
impiegare la presa per la cuffia	Comando pannello anteriore	2
selezionare una sorgente	Comando pannello anteriore	8
impiegare i comandi per la regolazione dei toni e Tone Defeat	Comando pannello anteriore	13 & 18
impiegare l'equilibratore/equilizzatore dei bassi EQ	Comando pannello anteriore	15
impiegare il telecomando	Telecomando	
sostituire le batterie del telecomando	Telecomando	
Sintonizzatore: - come:		
iscrivere una preimpostazione	Comando pannello anteriore	10
cancellare una preselezione	Comando pannello anteriore	12
aggiungere/cambiare il nome di una preimpostazione	Comando pannello anteriore	11
sintonizzarsi automaticamente su una stazione radio (ricerca)	Comando pannello anteriore	17
sintonizzarsi manualmente su una stazione radio	Comando pannello anteriore	17
sintonizzarsi su una stazione radio con segnale debole (tacitazione spenta)	Comando pannello anteriore	16
visualizza le informazioni RDS (PS; nome della stazione ed RT; RadioText)	Comando pannello anteriore	14
CD: - come:		
caricare un CD	Comando pannello anteriore	3 & 5
riproduzione di un CD	Comando pannello anteriore	6
pausa durante l'ascolto di un CD	Comando pannello anteriore	6
saltare ad una pista differente	Comando pannello anteriore	7
inserire Ripeti 1 e Ripeti tutte	Comando pannello anteriore	9
programma per l'ascolto di piste selettive	Comando pannello anteriore	10 & 12
attivare la riproduzione randomizzata	Comando pannello anteriore	11
visualizzare le informazioni tempo per il CD	Comando pannello anteriore	14
scansione nelle varie piste	Comando pannello anteriore	17



NOTE RELATIVE ALL'INSTALLAZIONE

Il Vs. L 40 va collocato su superficie piana e robusta. Evitare di collocare l'unità in posizioni assolate oppure vicino a fonti di calore o umidità.

Assicurarsi che vi sia ventilazione sufficiente. Non collocare l'unità su superficie soffice, quale ad esempio tappeti e stuoie. Non collocare l'unità in aree chiuse, ad esempio dentro librerie o scaffali che possono impedire il passaggio di aria attraverso le griglie di ventilazione.

Prima di perfezionare qualsiasi collegamento spegnere l'unità.

Per garantire prestazioni ottimali e la massima affidabilità delle connessioni, impiegare sempre ed esclusivamente cavi e connettori RCA. Assicurarsi che i cavi e i connettori non siano danneggiati ed accertarsi che tutti i connettori siano ben calzati. I connettori RCA del Vs. L 40 sono evidenziati da codice colore, rosso e bianco, per l'audio destro e sinistro rispettivamente.

Per assicurare prestazioni perfette, impiegare sempre cavi di marca per gli altoparlanti, calibratura 16 o spessore maggiore.

Se non si intende impiegare l'unità per un certo periodo di tempo, scollegare la spina dalla presa della C.A.

Se l'L 40 venisse contaminato da acqua, spegnere l'alimentazione elettrica e scollegare la spina dalla presa della C.A. Fare controllare l'unità da un tecnico specializzato prima di cercare di accenderla.

Non staccare il coperchio: si fa notare che al suo interno non vi sono componenti riparabili dall'Utente.

Pulire l'unità impiegando un panno soffice ed asciutto. Se necessario, inumidire leggermente il panno con un po' di acqua e sapone. Non impiegare soluzioni a base di benzolo o altri prodotti volatili.

CONNESSIONI AL PANNELLO POSTERIORE

1. ALTOPARLANTI

Output per altoparlanti con impedenza da 4 o più ohm.

Il terminale "RIGHT+" va collegato al terminale "+" dell'altoparlante di destra: quello marcato "RIGHT-" va collegato al terminale "-" dell'altoparlante.

Collegare i terminali marcati "LEFT+" e "LEFT-" in pari modo all'altoparlante sinistro.

Si raccomandano cavi trefolo metallico heavy duty o cavi speciali per altoparlanti per perfezionare tutti i collegamenti al Vs. L 40.

I terminali a morsetto per l'alta corrente possono essere impiegati quali terminali a vite per quei cavi con connettori o capocorda a forcilla oppure a piedini, oppure infine per cavi con fili scoperti.

CONNETTORI A FORCELLA

Devono essere infilati sotto le boccole a vite del terminale che vanno poi serrate a fondo. Assicurarsi che i connettori siano ben stretti e che non vi sia rischio di contatto diretto tra i connettori a forcilla e il pannello posteriore o altri connettori, poiché altrimenti si corre il rischio di danneggiare l'unità.

FILI SCOPERTI E CONNETTORI A PIEDINI

I fili scoperti e le connessioni a piedini vanno infilati nel foro nel gambo dei terminali degli altoparlanti. Svitare la boccola in plastica dei terminali degli altoparlanti per scoprire il foro nel gambo della vite. Infilare il piedino o il cavo scoperto nel foro e fissarlo serrando la boccola del terminale.

Assicurarsi che non vi possa essere contatto tra i cavi spelati degli altoparlanti e il pannello posteriore o altri connettori. Assicurarsi che vi sia solo un centimetro di cavo o piedino scoperto, controllando inoltre che i cavi degli altoparlanti non abbiano trefoli allentati.

2. TAPE IN, OUT

Connessioni per registrazione ed ascolto analogici ad un registratore a nastro di qualsiasi tipo. Impiegando un doppio cavo RCA-RCA, collegare l'output sinistro e destro (spesso etichettato con le diciture "playback", "Line out", "Output", "Analogue Output") del riproduttore per nastri ai connettori marcati "TAPE IN" sull'L 40 per l'ascolto. Collegare l'input sinistro e destro (etichettato di solito con le diciture "Record", "Line in", "Input", "Analogue Input") del riproduttore per nastro ai connettori "TAPE OUT" dell'L 40 per la registrazione.

3. "AUX INPUT" - INPUT GRUPPI AUSILIARI

Input per segnali supplementari di input di livello, ad esempio un riproduttore per mini CD. Impiegare un doppio cavo RCA-RCA per collegare gli output di livello sinistra e destra (di solito marcati "Line out", "Output", "Analogue Output") a questo input.

4. PRE OUT

Connessioni ad un amplificatore esterno.

5. ANTENNA FM

L'unità è dotata anche di un'ANTENNA a piatina per le stazioni a modulazione di frequenza (FM); questa va collegata al connettore FM sul retro dell'unità utilizzando l'adattatore "balun" per accoppiamento simmetrico/asimmetrico fornito con l'unità. L'antenna a piatina va montata su una superficie verticale, in modo che formi una "T".

Orientare l'antenna in varie posizioni per individuare quella migliore, ottenendo cioè il massimo segnale possibile con minimo rumore di fondo.

Un segnale FM non perfetto dà di solito sibilo molto forte, specie in ascolto stereo, nonché interferenze da fonti elettriche esterne. Le prestazioni del sintonizzatore possono essere migliorate impiegando un'antenna FM montata all'esterno. Interpellare a questo

proposito un tecnico specializzato che provvederà ad installare l'antenna nel modo migliore possibile a seconda della zona.

6. "NAD LINK IN/OUT"

I connettori NAD-Link vengono impiegati per trasmettere comandi dal telecomando alle/dalle altre unità dotate di connettori NAD-Link. Ciò permette il comando centralizzato dell'intero impianto oppure permette il comando dell'impianto per più di un ambiente, nonché telecomando delle unità NAD che non sono telecomandabili di per sé.

Per assicurare un funzionamento perfetto con le altre unità, collegare il "NAD-Link OUT" dell'L 40 al "NAD-Link IN" sull'altra unità. I connettore "NAD-Link" possono essere concatenati "IN" ad "OUT" pertanto è possibile comandare un intero sistema tramite i telecomandi di un'unità.

7. CORDONE C.A.

Collegare il cavo dell'alimentazione C.A. ad una presa idonea C.A.

COMANDO PANNELLO ANTERIORE

1. "POWER" (ALIMENTAZIONE)

Premere il pulsante POWER per accendere l'unità. Il display e il LED del comando di regolazione del volume si accendono.

Premendo l'interruttore POWER una seconda volta si spegne completamente l'unità. L'L 40 ha una memoria non volatile per conservare tutte le informazioni relative alle stazioni radio preimpostate sul sintonizzatore. Le informazioni non vengono cancellate dalla memoria anche se l'unità è spenta oppure viene scollegata dalla completamente dalla rete.

TELECOMANDO:

Pulsante STAND-BY (verde):

Premere questo pulsante per portare l'unità nel modo di attesa "Stand-by" o viceversa: premere questo pulsante una seconda volta per portare l'unità in modo "Stand-by".

NOTA:

Il modo Stand-by è confermato da una spia ambra sopra il pulsante verde di alimentazione "POWER" sul pannello anteriore (No. 1)

L'L 40 consuma pochissima corrente quando nel modo Stand-by. Si raccomanda peraltro di spegnere completamente l'unità se si ritiene che non verrà impiegata per più di un paio di giorni. Spegnerla completamente premendo il pulsante dell'alimentazione POWER sul pannello anteriore (No. 1): tutte le luci si spengono.

2. "PHONES" (CUFFIA)

Viene fornita la presa jack stereo da un quarto di pollice per l'ascolto in cuffia: questa presa è perfetta per tutte le cuffie convenzionali, qualunque sia la loro

impedenza. Inserendo un jack per cuffia in questa presa si escludono automaticamente gli altoparlanti. I comandi volume, tonalità ed equilibrio acustico funzionano per l'ascolto in cuffia. Impiegare un adattatore idoneo per collegare la cuffia con tipi differenti di connettori, ad esempio spine a jack "personal stereo" da 3,5 mm.

NOTA:

Assicurarsi che il comando del volume sia abbassato al minimo (girandolo completamente in senso antiorario) prima di collegare la cuffia.

L'ascolto ad alto volume può minare l'udito!.

3. CASSETTO PORTADISCO

Per l'ascolto di un disco, premere il pulsante di arresto/apertura "STOP/OPEN" (No. 5) per aprire il cassetto portadisco. Infilare il CD nel recesso circolare grande del cassetto, tenendo la faccia trasparente (quella di riproduzione) rivolta in giù. L'etichetta deve essere IN ALTO.

Premere nuovamente OPEN per chiudere il cassetto oppure premere PLAY/PAUSE per chiudere il cassetto ed iniziare l'ascolto.

I dischi CD-3 (i "singles" da 3 pollici) possono essere ascoltati direttamente, senza l'impiego di un adattatore. Infilare il disco nel cassetto, centrandolo nel recesso circolare più piccolo e tenendo l'etichetta rivolta in su.

NOTA:

Questo riproduttore non è in grado di prendere un "disco stabilizzatore" sopra il CD, né due CD accatastati. Serve per la riproduzione di CD audio, ma non dei dischi marcati "CD-V", "DVD", "CD-I", "CD-ROM", oppure "PHOTO CD".

4. DISPLAY (LCD)

Il display LCD riporta informazioni relative all'input selezionato e alla condizione del CD e del sintonizzatore.

NEL MODO CD:

NUMERO PISTA. Ogni disco è sezionato in una serie di piste numerate durante la registrazione; in linea di massima, ciascuna pista numerata corrisponde ad una canzone o tempo differente di una sinfonia, ecc.

Questi numeri di pista sono identificati sulla confezione del CD e sono codificati nel disco dal fabbricante.

In linea di massima, la sezione alfanumerica del display riporta il tempo trascorso dall'inizio della pista in ascolto. Impiegando il pulsante "DISPLAY" (No. 14) si può ottenere la visualizzazione del tempo restante prima della fine del disco.

Una freccia rivolta verso destra ► accanto al fianco sinistro del display si accende durante l'ascolto. Due linee verticali ■■ indicano che il riproduttore è in attesa ("PAUSE").



Nel modo "Stop", il display torna ad indicare il numero totale delle piste e il tempo totale di ascolto del disco.

Quando il portadischi non contiene un disco o quando il disco caricato non è leggibile, viene visualizzata allora la dicitura "**NO DISC**" (ad esempio se il disco è sporco oppure è stato infilato capovolto).

Compare la scritta "**REPEAT 1**" nell'angolo superiore sinistro durante l'ascolto ripetuto di una singola pista.

La dicitura "**REPEAT ALL**" compare durante la riproduzione ripetuta dell'intero CD o di tutte le piste preprogrammate.

Premendo il pulsante No. 9 è possibile attivare "**REPEAT 1**" e "**REPEAT ALL**".

La dicitura "**TOTAL REMAIN**" compare nell'area centrale del display se è stato premuto il pulsante DISPLAY per evidenziare il tempo d'ascolto restante per il disco.

"**RANDOM (CASUALE)**". Quando l'L 40 si trova nel modo randomizzato, la dicitura "RANDOM" compare sul quadro del display.

La dicitura "**PROGRAM**" si accende quando il riproduttore per CD viene programmato per ascoltare una scelta particolare di piste (impiegando i pulsanti "STORE" e "CANCEL" - rispettivamente "memorizza" e "annulla"); No. 10 + 12. La dicitura "PROGRAM" si accende inoltre durante l'ascolto preprogrammato di un CD.

NEL MODO SINTONIZZATORE:

La sezione alfanumerica del display riporta di solito il numero della preselezione e il nome della stazione se l'unità capta una stazione RDS, oppure il nome programmato. Se non è stato programmato alcun nome o se si tratta di una stazione radio senza RDS, viene allora visualizzata la frequenza di ricezione in megahertz (Mhz).

"**ANTENNA**" e le barre orizzontali immediatamente sottostanti si accendono sul display per indicare l'intensità del segnale della stazione radio che viene captata. Più barre sono accese e maggiore è l'intensità del segnale.

Centre Tune, indicato appunto da un puntino subito sopra l'indicatore "**TONE DEFEAT**" si accende se il sintonizzatore è sintonizzato esattamente sulla frequenza centrale della stazione radio. "Centre Tune" si accende inoltre quando l'unità riceve un telecomando.

La dicitura "**RDS**" nell'angolo destro superiore si

accende quando viene captata una stazione radio che riceve informazioni RDS.

GENERALE:

La dicitura "**BASS EQ**" si accende sul display se è stata selezionata la funzione di equilibratura/egualizzazione (No.15)

La dicitura "**TONE DEFEAT**" si accende quando è stata selezionata l'omonima funzione (No.13).

TELERICEVITORE. Un sensore ad infrarossi (sito sul lato sinistro della finestrella del display) riceve i comandi dal telecomando. La retina tra il telecomando e questa finestrella non deve essere ostruita; se il percorso è ostruito, il telecomando non sempre funziona come prescritto. Quando l'unità riceve un comando dal telecomando, ciò viene confermato sul display per mezzo di un puntino lampeggiante.

5. STOP/OPEN (ARRESTO/APERTURA)

Premendo questo pulsante una volta si interrompe la riproduzione del CD, si annulla l'eventuale ciclo di riproduzione ripetuta e si reimposta il pick-up all'inizio del disco. Il display ritorna ad evidenziare il numero delle piste e il tempo totale d'ascolto del disco.

Premere questo pulsante per aprire il cassetto portadischi; riprenderlo per chiudere il cassetto.

Quando il cassetto è chiuso, il riproduttore legge la pista dell'indice dei brani incisi sul disco e visualizza il numero delle piste unitamente alla durata totale d'ascolto del disco. Se si preme "PLAY" per chiudere il cassetto, l'informazione viene tralasciata: l'ascolto inizia immediatamente dalla pista 1 (Track 1).

NOTA:

Il cassetto portadischi viene aperto e chiuso tramite un motorino interno. Non chiudere il cassetto con le mani quando l'unità è spenta.

TELECOMANDO:

Il teletrasmettitore ha inoltre un pulsante di arresto STOP che espleta pressoché la medesima funzione del pulsante sul pannello anteriore dell'L 40, però questo pulsante non apre né chiude lo sportellino.

6. "PLAY/PAUSE" (ASCOLTO/PAUSA)

Premere il pulsante "PLAY/PAUSE" per iniziare l'ascolto di un CD. Il modo di ascolto "PLAY" è confermato da una freccia rivolta verso destra ► sul display.

Premere nuovamente "PLAY/PAUSE" per interrompere provvisoriamente l'ascolto (il riproduttore per CD passa così al modo di attesa o pausa "Pause", identificato sul display da due barrette verticali ■■).

Per ripristinare l'ascolto partendo esattamente dal punto di interruzione, premere nuovamente "PLAY/PAUSE". Se non si desidera riprendere l'ascolto nel medesimo punto di interruzione, impiegare allora i comandi "SKIP/PRESET" (No. 7) o "SEARCH/TUNE" (No. 17) per portare il pick-up ad un punto differente del disco, prima di premere "PLAY" per l'ascolto.

Il telecomando è dotato di un pulsante "PLAY/PAUSE" per l'ascolto e la pausa. Questo pulsante espleta le medesime funzioni di quello sul pannello anteriore.

7. SKIP/PRESET (SALTA/REIMPOSTA)

Il comando "SKIP/PRESET" aziona in effetti due pulsanti ai lati del comando, come indicato da piccoli risalti. Premere uno dei risalti; quello a sinistra per saltare indietro SKIP BACK ◀◀, quello di destra per saltare in avanti SKIP FORWARD ▶▶.

NEL MODO CD:

SKIP BACK ◀◀

Il pulsante SKIP ◀◀ fa sì che il laser scatti all'indietro tornando all'inizio di ciascuna pista numerata del disco. Premendolo per la prima volta si ritorna all'inizio della pista in ascolto. Premendo SKIP ◀◀ due volte e rapidamente si passa alla pista precedente. Premendolo continuamente si ritorna alle piste precedenti finché il pulsante non viene rilasciato.

SKIP FORWARD ▶▶

SKIP FORWARD ▶▶ fa scattare il laser all'inizio della pista successiva ed inizia l'ascolto da lì. Pertanto, se si volesse un'idea delle prime battute di ciascun brano musicale, premere "PLAY" e poi battere leggermente su "SKIP ▶▶" dopo l'ascolto di alcuni secondi di ciascuna pista. Una pressione continua fa sì che il riproduttore passi ripetutamente alle piste con numero superiore, finché il pulsante non viene rilasciato.

NEL MODO SINTONIZZATORE:

"PRESET" PRESELEZIONE

Premere PRESET su oppure giù per selezionare una delle stazioni FM preimpostate. Ogni volta che i pulsanti vengono premuti, il pannello del display riporta il numero di preimpostazione e la frequenza preimpostata, oppure il nome della stazione radio se è una radio RDS.

Il telecomando è dotato di un pulsante "SKIP/PRESET" per saltare una pista e per preimpostare. Questi pulsanti svolgono le medesime funzioni dei pulsanti sul pannello anteriore.

8. SELETTORE DI INPUT

Il comando SELETTORE INPUT aziona in effetti due pulsanti ai lati del comando, evidenziati da piccoli risalti. Premere uno dei risalti.

Premendo il lato destro del comando, l'L 40 effettua l'escursione degli input nella sequenza indicata qui sotto: CD > Aux > Tape > Tuner > CD (rispettivamente: CD, Ausiliari, Nastro, Sintonizzatore e poi CD).

Premendo il lato sinistro del comando, l'L 40 effettua l'escursione degli input in ordine inverso: CD > Sintonizzatore > Nastro > Ausiliari > CD.

Premere ripetutamente uno dei pulsanti finché la sorgente desiderata non viene indicata sul display.

TELECOMANDO:

Il telecomando ha pulsanti separati per ciascun input. Premere il pulsante richiesto per l'input desiderato.

9. RIPETERE

Questo pulsante inserisce un ciclo di ripetizione all'infinito. Premere una volta il pulsante "Repeat" per selezionare il modo di ripetizione "REPEAT 1" che permette l'ascolto continuo solo della pista attuale.

Premendo un'altra volta il pulsante di ripetizione si seleziona il modo "REPEAT ALL" (ripetere tutto): si ha pertanto l'ascolto dell'intero disco oppure solo una scelta preprogrammata di piste, dall'inizio alla fine, all'infinito! Premere il pulsante "REPEAT" una terza volta per cancellare il ciclo di ripetizione "REPEAT CYCLE" e ritornare al funzionamento normale.

10. "STORE"

NEL MODO CD:

Il ricevitore/riproduttore per CD L 40 Vi permette di preprogrammare il riproduttore per CD in modo da saltare le piste del CD che non si desidera ascoltare (programmazione negativa). La programmazione del riproduttore per CD può essere effettuata solo quando un CD è caricato, ma l'unità è ferma (modo Stop).

Per inserire il modo di programmazione, premere "STORE" (memorizzazione). Impiegare i pulsanti SKIP/PRESET (salta/preimposta) per scegliere la pista che non si desidera ascoltare; il numero della pista lampeggia nel display. Premere "CANCEL" (annulla) (No. 12) per confermare la pista che si desidera annullare. Il display conferma questa prima cancellazione della pista indicando "P--01".

Selezionare la pista successiva che si desidera saltare e premere nuovamente "CANCEL" (annulla); il display indica "P--02". Ripetere questa procedura finché non sono state selezionate tutte le piste che non si desidera ascoltare.

Una volta selezionate tutte le piste che non si desidera ascoltare, premere il pulsante "PLAY" per iniziare l'ascolto di tutte le altre piste restanti. Durante l'ascolto programmato, la dicitura "PROGRAM" sarà illuminata sul display.

**NOTA:**

Premendo STOP/OPEN (stop/apri) (No. 5) si cancella un programma e si disattiva il modo di programmazione. Passando ad una sorgente differente (ad esempio il sintonizzatore) si cancella anche qualsiasi programma e si disattiva il modo di programmazione.

NEL MODO SINTONIZZATORE:

Il riproduttore per CD L 40 permette di memorizzare fino a trenta stazioni radio (preimpostazioni) nella sua memoria interna.

Per memorizzare una stazione quale preimpostazione, sintonizzarsi prima di tutto sulla stazione radio desiderata impiegando i pulsanti di comando "SEARCH/TUNE" (ricerca/sintonizza) (No. 17).

Premere il pulsante "STORE". Il pannello del display evidenzierà quindi il numero preimpostato più basso per circa sei secondi.

Premere nuovamente "STORE" entro sei secondi per memorizzare la stazione rispetto a questo numero di preimpostazione.

Se si desidera impiegare un numero di preimpostazione differente, impiegare i pulsanti di comando "SKIP/PRESET" (No. 7) per selezionare il numero desiderato prima di premere nuovamente "STORE". Si fa notare che vengono evidenziati solo i numeri disponibili di preimpostazione; se si desidera impiegare un numero di preimpostazione già occupato, occorre allora cancellarlo (vedere la sezione CANCELLA, No. 12)

NOTA:

Oltre a "ricordare" la stazione radio, l'L 40 ricorda anche se era stato selezionato il modo Mono (No. 16). Ciò è molto utile, specie se si desidera ascoltare molto frequentemente una stazione il cui segnale è piuttosto debole. La procedura è identica a quella descritta in precedenza: peraltro, dopo avere scelto il numero desiderato di preimpostazione, selezionare MONO (No. 16); La dicitura "STEREO" si spegnerà sul display. Premere "STORE" (memorizza).

NOTA:

Il modo di memorizzazione si autocancella dopo circa cinque secondi se non, viene premuto alcun altro pulsante.

11. "RANDOM" (CASUALE)**NEL MODO CD:**

Premendo il pulsante "RANDOM" (casuale) si attiva l'ascolto di tutte le piste del CD, in ordine randomizzato. Premere "RANDOM" dai modi Stop oppure Play: l'L 40 passerà a riprodurre le piste del CD in ordine casuale, finché tutte le piste non sono state ascoltate.

Premere nuovamente il pulsante "RANDOM" per cancellare la riproduzione casuale e riportare l'L 40 nel modo normale di riproduzione.

Quando L 40 si trova nel modo di riproduzione randomizzata, la dicitura "RANDOM" compare sul display. "RANDOM" può essere impiegato unitamente al modo "REPEAT ALL" (ovvero: ripeti tutte le piste). L'L

40 proseguirà passando ad un altro ciclo di ascolto randomizzato dopo avere ultimato il ciclo precedente di ascolto randomizzato.

NOTA:

Non è possibile impiegare "RANDOM" unitamente a "Program Play" (ascolto programmato). (Fare riferimento alla sezione No.).

NEL MODO SINTONIZZATORE:

Non è sempre facile ricordare quale stazione radio corrisponda ad una particolare frequenza. Per evitare confusione, è possibile dare un nome a ciascuna preimpostazione (massimo otto lettere). Quando si richiama poi una data preimpostazione, comparirà allora il nome della stazione al posto della sua frequenza. Ad esempio, 91,30 corrisponde nel Regno Unito alla stazione della BBC, detta Radio 3; in questo caso, la preimpostazione può essere programmata per visualizzare "BBC R3" ogni volta che tale stazione viene selezionata.

Le preimpostazione possono essere "battezzate" in due modi differenti; scegliere un nome per la stazione e memorizzare contemporaneamente in una preimpostazione, oppure dare un nome ad una preimpostazione già occupata.

COME SCEGLIERE UN NOME E MEMORIZZARE UNA PREIMPOSTAZIONE

Sintonizzarsi sulla stazione radio desiderata impiegando i pulsanti di comando "SEARCH/TUNE" (ricerca/sintonizza) (No. 17). Premere il pulsante di ripetizione "REPEAT": il display si oscurerà (rimarrà solo una linea lampeggiante). Entro il periodo di base pari a dieci secondi si può ora iscrivere la prima lettera desiderata.

Selezionare la lettera impiegando uno dei pulsanti di comando "SKIP/PRESET" (No. 7). Premendo il pulsante destro di comando "SKIP/PRESET" si effettua la scansione di tutte le lettere/caratteri disponibili, in ordine numerico ed alfabetico: (spazio oscurato) >0 >1 >2 >3 a 9 >A >B >Da C a Z >(spazio oscurato) >0 >1 >2 >e così via. Premendo il pulsante sinistro di comando "SKIP/PRESET" si effettua l'escursione delle lettere/caratteri in ordine inverso: Z >Y >X ad A >9 a 3 >2 >1 >0 >(spazio oscurato) >Z >Y >X >e così via.

Impiegare il pulsante destro di comando "SEARCH/TUNE" (No. 17) per passare alla posizione successiva sulla destra ed iscrivere così la seconda lettera/carattere, quindi ripetere scegliendo una lettera/carattere come già spiegato qui sopra.

Iscrivere tutte le lettere impiegando i pulsanti di comando "SKIP/PRESET" e "SEARCH/TUNE" come detto qui sopra.

Una volta iscritte tutte le lettere/caratteri come prescritto, premere "STORE" per memorizzare (No. 10). Premere nuovamente "STORE" per assegnare un numero di preimpostazione (fare riferimento alla sezione 10).



COME DARE UN NOME AD UNA PREIMPOSTAZIONE GIÀ IN USO

Richiamare la preimpostazione che si vuole "battezzare". Premere il pulsante di ripetizione "REPEAT": il display si oscurerà (rimarrà solo una linea lampeggiante). Entro il periodo di base pari a dieci secondi si può ora iscrivere la prima lettera desiderata.

Selezionare la lettera impiegando uno dei pulsanti di comando "SKIP/PRESET" (No. 7). Premendo il pulsante destro di comando "SKIP/PRESET" si effettua la scansione di tutte le lettere/caratteri disponibili, in ordine numerico ed alfabetico: (spazio oscurato) >0 >1 >2 >3 a 9 >A >B >Da C a Z >(spazio oscurato) >0 >1 >2 >e così via. Premendo il pulsante sinistro di comando "SKIP/PRESET" si effettua l'escursione delle lettere/caratteri in ordine inverso: Z >Y >X ad A >9 a 3 >2 >1 >0 >(spazio oscurato) >Z >Y >X >e così via.

Impiegare il pulsante destro di comando "SEARCH/TUNE" (No. 17) per passare alla posizione successiva sulla destra ed iscrivere così la seconda lettera/carattere, quindi ripetere scegliendo una lettera/carattere come già spiegato qui sopra.

Iscrivere tutte le lettere impiegando i pulsanti di comando "SKIP/PRESET" e "SEARCH/TUNE" come detto qui sopra.

Una volta iscritte tutte le lettere/caratteri come prescritto, premere "STORE" per memorizzare (No. 10). La preimpostazione è ora individuata da un nome.

NOTA:

Non è sempre possibile modificare un nome. Ricorrere alla medesima procedura descritta alla voce "Come battezzare una preimpostazione già memorizzata". Al posto della linea oscurata, il primo carattere comincerà a lampeggiare sul display quando si preme "REPEAT" (ripeti); e' possibile "sovrascrivere" scegliendo un nuovo carattere.

NOTA:

Non è possibile dare un nome differente ad una stazione radio RDS; il nome trasmesso (PS) viene memorizzato e visualizzato automaticamente.

12. CANCELLA

NEL MODO CD:

Il pulsante "CANCEL" funziona unitamente al pulsante di memorizzazione "STORE" (No. 10) che Vi permette di cancellare le piste che non volete ascoltare.

Per la programmazione e l'abilitazione dell'ascolto programmato fare riferimento alla sezione che tratta la memorizzazione "STORE" (No. 10).

NEL MODO SINTONIZZATORE:

Per cancellare una preimpostazione, selezionarla e premere "CANCEL"; il numero della preselezione sul display lampeggia. Premere nuovamente "CANCEL" entro sei secondi. La conferma della disponibilità di tale numero di preimpostazione viene indicata sul display con il messaggio: "PRESET CLEAR" (CANCEL-LAZIONE PREIMPOSTAZIONE).

13. ESCLUSIONE TONI

Il pulsante "TONE DEFEAT" devia la sezione dei comandi della tonalità dell'L 40. Se si tende a lasciare i comandi del tono nella posizione "ore dodici", raccomandiamo allora di spegnere completamente la sezione dell'equilibrio acustico premendo il pulsante "TONE DEFEAT". Per indicare che l'esclusione dei toni è inserita, la dicitura "TONE DEFEAT" si accende sul display. Deviando i gruppi elettronici del comando di regolazione della tonalità si assicura un audio migliore ed una risposta in frequenza senza alcuna variazione.

14. DISPLAY

NEL MODO CD:

Il pulsante DISPLAY ha tre modi, come segue:

TEMPO: il tempo trascorso dall'inizio della pista corrente, espresso in minuti e secondi. (Questa è l'impostazione "basilare", selezionata automaticamente quando il riproduttore viene acceso)

"REMAIN" (RESTANTE): il tempo totale d'ascolto prima della fine del disco, e il numero totale di piste restanti (compresa quella in ascolto), oppure il numero restante di piste e il tempo durante l'ascolto programmato.

TOTALE: il numero totale di piste e il tempo d'ascolto del disco.

NEL MODO SINTONIZZATORE:

Quando si capta una stazione radio RDS, il pulsante "DISPLAY" esegue l'escursione su tre modi:

Per la condizione normale, quando si è sintonizzati su una stazione radio RDS, viene allora visualizzato il nome della stazione (RDS PS).

Premere una volta il pulsante "DISPLAY" per evidenziare Testo Radio (RDS RT). Le informazioni Testo Radio sono costituite dal nome del programma o dell'annunciatore, quale brano musicale viene trasmesso, ecc. Il testo scorre continuamente sul display. Se la stazione non trasmette Testo radio, il display conferma questa condizione con la dicitura "NO TEXT".

Premere nuovamente il pulsante per evidenziare la frequenza della stazione e l'intensità del segnale.

Premere nuovamente il pulsante per ritornare al display basilare con il nome della stazione radio (RDS PS).

Premendo il pulsante "DISPLAY" quando si è sintonizzati su una stazione radio senza RDS, il display allora riporta la scritta "NO RDS" per cinque secondi, quindi ritornare al display normale.



15. EQUILIBRATORE BASSI

In linea di massima, gli altoparlanti piccoli non sono sempre in grado di dare bassi profondi: questa è una loro limitazione di carattere fisico. Il sistema "BASS EQ" compensa questa lacuna, ampliando di gran lunga la risposta utile degli altoparlanti. Ovviamente non sempre un brano musicale contiene frequenza molto basse, pertanto non sempre il sistema "BASS EQ" risulta ovvio! Nel caso di brani musicali che contengono molte informazioni del tipo "bassi profondi", si nota immediatamente un miglioramento drastico e drammatico.

Premere il pulsante "BASS EQ" per attivare; "BASS EQ" si accende sul display.

Premere il pulsante "BASS EQ" una seconda volta per disattivare.

NOTA:

Il circuito "BASS EQ" incorpora inoltre un filtro speciale detto "subsonico" che riprende la risposta al di sotto di 25 Hz per evitare amplificazione errata di segnali non musicali al di sotto della gamma audio. Nel caso di brani musicali con bassi molto profondi è possibile sforzare l'amplificatore o gli altoparlanti dell'L 40. Questo è indicato sotto forma di distorsione; in questi casi, disinserire il sistema "BASS EQ" e/o ridurre il volume finché la distorsione non è stata eliminata.

16. MONO

Se si sta ricevendo un buon segnale stereo FM, il NAD L 40 passa automaticamente al funzionamento Stereo FM, che è evidenziato dall'indicatore STEREO sul display, e il sintonizzatore viene tacitato durante la ricerca tra una stazione e l'altra.

Segnali stereo molto deboli possono però dare forti livelli di sibilo di fondo. Passando al Modo Mono con il pulsante "MONO" si cancella quasi tutto il rumore di sfondo o la maggior parte dei disturbi. Premere nuovamente il pulsante "MONO" per ritornare al funzionamento "Auto Stereo FM".

E' possibile aggiungere la condizione "MONO" ad una preimpostazione. Così facendo, se si ascolta molto spesso una stazione debole non occorre più impostarsi su MONO manualmente. Per informazioni più dettagliate, fare riferimento alla sezione che tratta la MEMORIZZAZIONE (No. 10).

NOTA:

Il modo "MONO" funziona solo sulla parte sintonizzatore dell'L 40. Quando sono selezionati CD, Nastro oppure Aux, il pulsante "MONO" non funziona.

17. "SEARCH/TUNE" (RICERCA/SINTONIZZA) NEL MODO CD:

SEARCH BACK ◀◀

La ricerca con il pulsante "SEARCH ◀◀" fa sì che il pick-up ottico del riproduttore per CD effettui la scansione rapidissima in retromarcia lungo la regis-

trazione. Questo pulsante funziona solo quando il riproduttore si trova nei modi di riproduzione o pausa "PLAY" oppure "PAUSE". Dopo l'arresto con il comando STOP o dopo avere caricato un nuovo disco, occorre premere "PLAY" prima che il circuito di scansione possa funzionare.

Se la scansione viene iniziata quando il riproduttore è in attesa con "PAUSE", questa allora è silenziosa e procede ad una velocità pari a circa 15-20 volte quella normale di ascolto. Se la scansione viene iniziata durante l'ascolto "PLAY", si udiranno allora solo alcuni frammenti musicali. Impiegare questa "scansione udibile" per portarsi perfettamente sul punto di ripristino dell'ascolto.

Se si effettua la retroscansione fino all'inizio del disco durante l'ascolto della Pista 1, il riproduttore ritorna automaticamente al playback normale.

SEARCH FORWARD ▶▶

Il pulsante SEARCH ▶▶ fa sì che il pick-up ottico effettui la scansione rapida in avanti del brano musicale. Questa funzione si comporta in modo simile a quanto detto per SEARCH ◀◀.

Se si effettua la scansione in avanti fino alla fine del disco durante l'ascolto dell'ultima pista, la scansione si arresterà e il display Time riporterà la tabella dell'indice. (Non vi è modo di "riavvolgimento")

NEL MODO SINTONIZZATORE:

L'L 40 Vi permette di sintonizzarVi su una stazione radio in due modi: manualmente o con ricerca automatica. Per la ricerca automatica: Premere il pulsante ◀◀ oppure ▶▶ sul comando di ricerca/sintonizzatore "SEARCH/TUNE" per più di un secondo e rilasciarlo per passare alla gamma di frequenza inferiore oppure superiore. Il sintonizzatore ricercherà automaticamente su/giù lungo la gamma FM individuando la prima stazione il cui segnale è abbastanza forte. Una volta individuata una stazione con un segnale "decente", si ferma e si sintonizza con precisione su tale stazione radio. L'indicatore di sintonizzazione "Centre Tune" (un unico puntino sul display) si accende quando una stazione è sintonizzata correttamente.

Come sintonizzarsi manualmente su una stazione radio:

Premere il pulsante ◀◀ oppure ▶▶ sul comando di ricerca/sintonizzatore "SEARCH/TUNE" per passare alla gamma di frequenza inferiore oppure superiore. Il sintonizzatore ricercherà automaticamente su/giù lungo la gamma FM. Una volta vicini alla frequenza desiderata, premere per alcuni istanti l'altro lato del comando di ricerca/sintonizzazione "SEARCH/TUNE" per interrompere la ricerca.

Premendo brevemente uno dei pulsanti ◀◀ oppure ▶▶ "SEARCH/TUNE" si avvanza in scatti di 0,025 MHz.

L'indicatore di sintonizzazione "Centre Tune" (un unico punto sul display) si accende per confermare che la stazione radio è perfettamente sintonizzata.

NOTA:

A volte, una stazione radio è talmente debole che il suo livello di segnale si trova al di sotto della soglia di tacitazione (i circuiti di tacitazione annullano il fruscio che si sente di solito tra una stazione radio e l'altra), pertanto non è possibile udire la stazione, anche se si è sintonizzati sulla frequenza esatta. In questi casi occorre premere il pulsante "MONO" (No. 16) per disattivare il circuito di tacitazione.

18. COMANDO PER REGOLAZIONE ALTI E BASSI

I comandi "BASS" e "TREBLE" servono per regolare l'equilibrio acustico dell'impianto.

La posizione "ore dodici" conferma la condizione detta piatta senza amplificazione o interruzione: la posizione è indicata da un arresto. Girare i comandi in senso orario oppure antiorario per aumentare o diminuire i Bassi o gli Alti.

I comandi per i toni non hanno alcun effetto sulle registrazioni fatte impiegando gli output Tape, ma hanno effetto invece sul segnale che passa all'output del preamplificatore (Pre Out).

NOTA:

Assicurarsi che "TONE DEFEAT" (No. 13) non sia inserito, poiché i comandi di sintonizzazione non funzionano ("TONE DEFEAT" si accende sul display).

19. EQUILIBRIO

Il comando di EQUILIBRIO regola i livelli relativi degli altoparlanti sinistro e destro. La posizione "ore dodici" dà pari livelli ai canali di sinistra e di destra. Questa posizione è indicata da un incavo.

Ruotando il comando in senso orario si sposta l'equilibrio acustico verso destra. Ruotando il comando in senso antiorario si sposta l'equilibrio acustico verso sinistra.

Il comando "BALANCE" non ha alcun effetto sulle registrazioni fatte impiegando gli output Tape, ma hanno invece effetto sul segnale che passa all'output del preamplificatore (Pre Out).

20. VOLUME

Il comando "VOLUME" regola l'intensità sonora totale dei segnali alimentati agli altoparlanti.

Il telecomando ha due pulsanti per la regolazione del volume. Premere il pulsante "UP" per aumentare il volume; premere il pulsante "DOWN" per diminuire il volume. Quando si impiegano i pulsanti "DOWN" oppure "UP" sul telecomando, il display riporta rispettivamente l'abbassamento o l'aumento del volume con le diciture "VOL DOWN" oppure "VOL UP". La

manopola per il comando motorizzato del volume sul pannello anteriore si sposta contemporaneamente in giù oppure in su.

NOTA:

Il comando del volume non ha alcun effetto sulle registrazioni fatte impiegando gli output Tape, ma ha invece effetto sul segnale che passa all'output del preamplificatore (Pre Out).

TELECOMANDO

INSTALLAZIONE E SOSTITUZIONE DELLE BATTERIE

Il telecomando richiede due celle da 1,5 volt, formato AAA (cioè UM-4 oppure IEC RO3). Si raccomandano celle alcaline per garantire la massima durata.

Per aprire lo scomparto portabatterie, appoggiare le dita nel recesso sul retro del telecomando, quindi spingere contro il bordo flessibile del copribatteria e sfilarlo verso l'alto. Installare sempre celle nuove, orientandole come illustrato nello schema all'interno dello scomparto. Le molle spiraliformi devono fare contatto con il negativo (-) delle batterie. Premere lo sportellino del portabatterie finché non è scattato.

In alcuni casi, il funzionamento scadente può essere dovuto a corrosione o ditate di unto sui contatti della batteria. Staccare entrambe le celle, sfregare i contatti metallici alle estremità di ciascuna cella impiegando un panno pulito od una gomma, quindi rimontare le celle facendo attenzione affinché siano infilate come prescritto.

Pulsante STAND-BY (verde):

Premere questo pulsante per portare l'unità nel modo di attesa "Stand-by" o viceversa: premere questo pulsante una seconda volta per portare l'unità in modo "Stand-by".

NOTA:

Il modo di attesa "Stand-by" è indicato dalla spia ambra sopra il pulsante verde di alimentazione "POWER" sul pannello anteriore (No. 1). Quando in modo Stand-by, l'L 40 richiede pochissima corrente. Si raccomanda peraltro di spegnere completamente l'unità se si ritiene che non verrà impiegata per più di un paio di giorni. Spegnerla completamente premendo il pulsante dell'alimentazione POWER sul pannello anteriore (No. 1): tutte le luci si spengono.

Pulsante per AUMENTARE ed ABBASSARE il VOLUME:

Il telecomando ha due pulsanti per la regolazione del volume. Premere il pulsante "UP" per aumentare il volume; premere il pulsante "DOWN" per diminuire il volume. Quando si impiegano i pulsanti "DOWN" oppure "UP" sul telecomando, il display riporta rispettivamente l'abbassamento o l'aumento del volume con le diciture "VOL DOWN" oppure "VOL UP". La manopola per il comando motorizzato del volume sul pannello anteriore si sposta contemporaneamente in giù oppure in su.



Pulsante "MUTE" (tacitazione):

Premendo questo pulsante si riduce drasticamente il volume generale (di 20 Db). Utile per abbassare rapidamente il volume prima di rispondere al telefono. Tacitando l'unità si ottiene la dicitura "MUTE", qualunque sia il modo. Premere nuovamente "MUTE" per riportare il suono al livello precedente.

ARRESTO:

Premere questo pulsante per arrestare l'ascolto del CD oppure per cancellare "Ascolto programmato". Il pannello anteriore ha inoltre il pulsante di arresto "STOP" che funziona in modo quasi eguale a quello sul telecomando, ma serve anche per aprire e chiudere il cassetto porta-CD.

Pulsanti CD, TUNER, AUX e TAPE (rispettivamente: CD, Sintonizzatore, Ausiliari e Nastro):

Il telecomando ha pulsanti separati per ciascun input, contrariamente a quanto invece presente sul pannello anteriore. Premere il pulsante richiesto per l'input desiderato.

I pulsanti "**PLAY/PAUSE**" (ascolto/pausa), "**SKIP/PRESET**" (salta/preimpostata) e **DISPLAY** funzionano come gli omonimi pulsanti sul pannello anteriore dell'unità (disegno pannello anteriore - No. 6, 7 e 14).

MANUTENZIONE

E buona norma aprire il cassetto portadischi, di tanto in tanto, e pulirlo con un panno inumidito in modo da eliminare tutta la polvere.

COME MANEGGIARE I COMPACT DISC

Maneggiare i compact disc con la massima attenzione. Piccoli granelli di polvere, graffietti o ditate leggere non pregiudicano il playback del disco. Peraltro graffi grandi o uno strato spesso di sporizia/grasso delle mani può impedire l'inseguimento corretto del disco da parte del riproduttore. (E diciamo subito che, sebbene il laser legga il disco dalla parte trasparente, la superficie con i dati è intrappolata in effetti immediatamente sotto l'etichetta ed è protetta solo da uno strato sottilissimo di lacca. Pertanto un graffio che incide l'etichetta può danneggiare il disco molto di più di un graffio simile sul piano trasparente d'ascolto. Pertanto bisogna trattare entrambe le facce del disco con la debita attenzione)

Graffi profondi e ditate possono causare il salto di pista (ovvero passaggio a pista successiva oppure ripetizione del medesimo punto). Danni meno seri possono dare brevi emissioni di rumore ad alta frequenza. I circuiti di inseguimento e correzione errori di questo ricevitore per CD NAD sono insolitamente sofisticati e danno un inseguimento sicuro di dischi meno perfetti che non possono essere ascoltati su molti altri riproduttori. Ricordare in ogni modo che i dischi vanno sempre maneggiati con la massima attenzione.

Per evitare danni, ricordare che il disco va toccato

solo lungo la circonferenza esterna. Un altro modo sicuro è quello di infilare un dito nel foro centrale, impiegando il pollice sul bordo per tenere fermo il disco.

I dischi vanno sempre conservati nella custodia di protezione quando non in uso. Per aprire la custodia standard per CD in plastica, tipo Philips, afferrare la parte superiore e quella inferiore dell'astuccio con la mano sinistra; quindi afferrare i bordi sinistro e destro con la mano destra ed aprire la custodia con il pollice della mano destra.

Il disco è tenuto fermo nella custodia dal piccolo mozzo divaricabile nel foro centrale. Per togliere il disco, premere il mozzo con un dito, quindi sfilare il disco afferrandolo lungo la circonferenza esterna tra le dita. Per riporre il disco nella custodia basta allineare il foro centrale rispetto al mozzo divaricabile e premere il disco sul mozzo.

PULIZIA DEI DISCHI

Un disco sporco può essere pulito impiegando un panno soffice, sia asciutto sia inumidito con un po' di acqua. NON impiegare prodotti per la pulizia dei dischi convenzionali LP (liquidi, spray, panni impregnati o soluzione antistatiche), né utilizzare solventi chimici (alcol, benzolo, ecc). Un disco molto sporco può essere lavato con uno spruzzo di acqua tiepida, impiegando magari una goccia di detersivo neutro; il disco va poi asciugato con un panno pulito e soffice.

Quando si pulisce un disco, ripassarlo solo **RADIALMENTE** (dal centro verso l'esterno). Non strofinare mai con movimento circolare, come si fa per i Long Play comuni, poiché si corre il rischio di rigare il disco. Un graffietto radiale può essere meno nocivo, poiché colpisce solo una piccola parte di ciascuna pista circolare dei dati, e questa imperfezione viene compensata perfettamente dai circuiti di correzione degli errori del riproduttore. Ma un graffio circolare che segue la pista dei dati può danneggiare un segmento continuo molto lungo di dati, rendendo impossibile qualsiasi correzione.

PARLIAMO DEL LASER

Il ricevitore CD impiega laser diodi semiconduttori a stato solido, montati sul servomeccanismo per l'ascolto del disco. Il laser illumina la pista di fossette microscopiche che rappresentano i bits digitali; i fotodiodi riflettono l'illuminazione dal disco e la trasformano in un segnale elettronico che viene quindi decifrato per dare la forma d'onda in ciascun canale stereo.

Il funzionamento del laser è invisibile, poiché opera su una lunghezza d'onda di 7800 Angstrom che si trova nella gamma infrarossa, invisibile all'occhio.

Il ricevitore CD non presenta alcun pericolo per i bambini. Il laser funziona a bassissima potenza ed è celato nel meccanismo del riproduttore. Il laser rimane ermetizzato nel sistema ottico che dà la messa a fuoco del raggio ad un solo millimetro dall'obiettivo e poi diverge rapidamente riducendo la sua intensità a livelli trascurabili, anche se il riproduttore è smontato.

RICERCA GUASTI

SINTOMO	POSSIBILI CAUSE	CORREZIONE
<ul style="list-style-type: none"> Non vi è alimentazione quando il pulsante "POWER" è su "ON" (acceso). 	<ul style="list-style-type: none"> Connessione scadente od assente sulla presa C.A. Alimentazione non collegata. 	<ul style="list-style-type: none"> Infilare correttamente la spina della corrente in una presa C.A.
<ul style="list-style-type: none"> Il riproduttore per dischi non funziona. 	<ul style="list-style-type: none"> Il disco è caricato al contrario. Il disco è troppo sporco. 	<ul style="list-style-type: none"> Ricaricare il disco con l'etichetta deve essere IN ALTO. Pulire il disco.
<ul style="list-style-type: none"> Non vi è suono. 	<ul style="list-style-type: none"> Connessioni non corrette dei cavi audio. Stazione non selezionata oppure segnale debole. 	<ul style="list-style-type: none"> Controllare le connessioni degli altoparlanti e gli input sull'L 40. Risintonizzare.
<ul style="list-style-type: none"> Interruttore a relè termico in funzione. 	<ul style="list-style-type: none"> Spegnere e ridurre l'impostazione del volume. 	<ul style="list-style-type: none"> Accendere dopo che l'unità si è raffreddata. Fusibile interno saltato; interpellare il Concessionario.
<ul style="list-style-type: none"> Non si ottiene suono da un canale. 	<ul style="list-style-type: none"> Equilibrio "Volume Control" non pareggiato. Cavo input scollegato o danneggiato. 	<ul style="list-style-type: none"> Reimpostare il comando di equilibrio alla posizione del fermo centrale. Controllare i cavi e le connessioni.
<ul style="list-style-type: none"> Saltellamento del suonoL. 	<ul style="list-style-type: none"> L 40 è soggetto a vibrazioni e urti da fonti esterne. 	<ul style="list-style-type: none"> Cambiare la sede di installazione.
<ul style="list-style-type: none"> Il telecomando non funziona. 	<ul style="list-style-type: none"> Le batterie nel telecomando sono scariche. Oggetto che ostruisce il sensore del telecomando sull'apparecchio. 	<ul style="list-style-type: none"> Sostituire le batterie. Togliere eventuali oggetti davanti al display.
<ul style="list-style-type: none"> Si nota ronzio. 	<ul style="list-style-type: none"> Connessione allentata dei cavi. 	<ul style="list-style-type: none"> Controllare le connessioni dei cavi.
<ul style="list-style-type: none"> Bassi deboli; immagine stereo diffusa. 	<ul style="list-style-type: none"> Altoparlanti collegati all'amplificatore di potenza cablati fuori fase. 	<ul style="list-style-type: none"> Controllare le connessioni "+" e "-" di entrambi gli altoparlanti.
<ul style="list-style-type: none"> Ricezione disturbata, ronzio, sibili. 	<ul style="list-style-type: none"> Segnale debole. 	<ul style="list-style-type: none"> Controllare la sintonizzazione. Regolare o sostituire l'antenna.
<ul style="list-style-type: none"> distorsione della ricezione. 	<ul style="list-style-type: none"> Segnali diversificati oppure interferenza da un'altra stazione. 	<ul style="list-style-type: none"> Controllare la sintonizzazione. Regolare o sostituire l'antenna.
<ul style="list-style-type: none"> Ricezione rovinata da sibili e ronzio. 	<ul style="list-style-type: none"> Interferenza da computer, console per giochi. 	<ul style="list-style-type: none"> Controllare la sintonizzazione. Spegnere o spostare la sorgente delle interferenze elettriche.
<ul style="list-style-type: none"> Nessuna stazione individuata nel modo di ricerca "Search". 	<ul style="list-style-type: none"> Segnale dell'antenna non adeguato. 	<ul style="list-style-type: none"> Controllare la connessione dell'antenna. Regolare la posizione dell'antenna a pinnata.



BRUKSANVISNING FÖR NAD L 40 CD RECEIVER.

SNABB REFERENS GUIDE:

Generellt: Hur man ...	Refererar till: Kapitel;	Del:
ansluter högtalarna	Bakpanelens anslutningar	1
ansluter FM antennen	Bakpanelens anslutningar	5
ansluter och använd NAD-Link	Bakpanelens anslutningar	6
ansluter en bandspelare	Bakpanelens anslutningar	2
ansluter extra ljudkälla (MiniDisc spelare, TV) till AUX	Bakpanelens anslutningar	3
slår på huvudströmbrytaren eller Stand-by/på	Kontroller på framsidan	1
använder hörlursuttaget	Kontroller på framsidan	2
väljer ljudkälla	Kontroller på framsidan	8
använder tonkontrollerna & Tone Defeat	Kontroller på framsidan	13 & 18
använder Bass EQ	Kontroller på framsidan	15
använder fjärrkontrollen	Fjärrkontrollen	
byter batterier i fjärrkontrollen	Fjärrkontrollen	
Tuner (radiodel): Hur man ...		
ställer in ett snabbval	Kontroller på framsidan	10
raderar ett snabbval	Kontroller på framsidan	12
lägger till/ändrar namnet på ett snabbval	Kontroller på framsidan	11
ställer in en radiostation automatiskt (sökning)	Kontroller på framsidan	17
ställer in en radiostation manuellt	Kontroller på framsidan	17
ställer in en svag radiostation (mute avstängt)	Kontroller på framsidan	16
visar RDS information (PS; station namn och RT; RadioText)	Kontroller på framsidan	14
CD: Hur man ...		
laddar en CD	Kontroller på framsidan	3 & 5
spelar en CD	Kontroller på framsidan	6
pausar en CD	Kontroller på framsidan	6
hoppas till ett annat spår	Kontroller på framsidan	7
startar Repeat 1 och Repeat All lågena	Kontroller på framsidan	9
program för selektivt spårval	Kontroller på framsidan	10 & 12
starta Random Play	Kontroller på framsidan	11
visar tidsinformation på en CD	Kontroller på framsidan	14
spolar i en låt	Kontroller på framsidan	17

ATT TÄNKA PÅ VID INSTALLATIONEN.

L-40 bör placeras på en jämn stabil yta. Undvik att placera apparaten så att den utsätts för direkt solljus, står nära värmekällor eller utsätts för fukt samt bör för att apparaten inte står instängd utan ventilation.

Se till att apparaten är avslagen innan några anslutningar görs.

Anslutningskontaktarna är färgkodade för att underlätta inkoppling. Röd och vit är Ljud, höger resp. vänster. För att få ut det mesta ur apparaten bör kablar av hög kvalitet användas, konsultera din handlare angående val av bra signalkablar. Försäkra dig om att kablar och kontakter inte är skadade på något sätt och att alla kablar är ordentligt intryckta i kontaktarna.

Om apparaten inte skall användas under en längre tid bör nätsladden kopplas ur väggurtaget. Om det skulle komma vatten i apparaten så måste strömmen brytas omedelbart genom att nätsladden kopplas ur väggurtaget. Innan apparaten får tas i bruk måste den gås igenom av en auktoriserad verkstad. Avlägsna inte locket på apparaten själv, det finns inga delar i apparaten som du som kund kan åtgärda.

Vid rengöring, använd en ren mjuk trasa, lätt fuktad vid behov.

Använd inga starka lösningsmedel på höljet då det kan skada finishen, en mild tvållösning kan användas mot fettfläckar etc.

BAKPALENS ANSLUTNINGAR

1. HÖGTALARANSLUTNINGAR.

Högtalarterminaler för ett par högtalare med en impedans på 4W eller mer.

Anslut höger högtalare till terminalerna märkta "R+" och "R-" och försäkra dig om att "R+" är ansluten till högtalarens pluspol och "R-" är ansluten till högtalarens minuspol. Anslut vänster högtalare till "L+" och "L-" på samma sätt.

Använd högtalarkablar av hög kvalitet, kontakta din handlare för val av lämpliga kablar.

Anslutning kan göras på flera sätt. Enklaste sättet är att ansluta de skalade kablarna direkt på terminalerna, men för en mer varaktig och korrosionsbeständig anslutning bör olika kontaktdon övervägas.

Spadkontakter

En spadkontakt ser ut som en gaffel med två taggar. Den kläms eller löds fast i kabeländan. U-et i spaden passar kring skaftet på högtalarterminalen, hylsan på terminalen spännes sedan åt så att gaffeln låses.

Skalade kablar. Sära på kablarna och skala av ungefär en centimeter isolering på varje kabel och tvinna ihop änden på varje kabel för sig. Skruva ur hylsan på högtalarterminalen och tryck in den skalade änden på kabeln i öppningen och spänn åt hylsan så hårt som förnuftet medger.

Anslut så kallade Pinkontakter på samma sätt.

Kontrollera så att inga lösa koppartrådar hänger löst utanför kontakten och kan orsaka kortslutning.

2. TAPE IN/UTgång.

Anslutningar för analog in och avspelning till en vanlig bandspelare, kassettdäck, rullbandspelare, DAT, eller MD. Anslut bandspelarens höger och vänster audioutgångar till TAPE IN för avspelning. Anslut sedan bandspelarens höger och vänster audioingångar till TAPE OUT på L-40 för inspelning. Val av vilken källa som skall spelas in väljs sedan på apparatens framsida.

3. AUX Ingång

Extra ingång där valfri signalkälla med signal på linjenivå kan anslutas. Lämplig för t.ex. Stereo Tv, Ljudkort i dator eller TV-spel. Anslut källans höger och vänster audioutgångar (kallas ofta för Line Out, Output eller Analogue Output) till AUX för avspelning.

4. PRE OUT

Anslutningar för en extern effektförstärkare.

5. FM ANTENN

Antenningången för FM mottagning är avsedd för 75 ohms koaxialkabel. Om du skulle vilja ansluta den medföljande trådantennen som har en impedans på 300 ohm måste du använda den medföljande adaptern. Trådantennen är formad som ett T. T:ets vertikala del ansluts via adaptern till L-40. Antennen skall sättas upp som ett T på t.ex. en vägg, orienterad så att signalen blir så stark som möjligt.

Den trådantenn och adapter som följer med är bara för att radion skall kunna användas direkt. Om signalen är för svag hörs ett högt bakgrundsbrus, särskilt vid stereomottagning och när signalen störs av annan elektrisk utrustning. För bästa mottagning bör en bättre antenn eller en centralantenn anslutas.

6. NAD-LINK IN, UT

NAD-Link anslutningarna används för att skicka fjärrkontroll-kommandon mellan olika enheter utrustade med NAD-Link. Det ger dig möjlighet att kontrollera din anläggning från mer än ett rum. För att kunna styra fler enheter än L-40 så måste dessa kopplas ihop via NAD-Link in- och utgångar. Flera enheter kan seriekopplas så att anläggningens samtliga fjärrkontroll-funktioner kan styras centralt. En NAD-Link koppling till en annan Hi-Fi anläggning i ett annat rum gör att man kan styra anläggningen från det första rummet med en fjärrkontroll i nästa rum.

7. AC NÄTSLADD

Anslut nätsladden i ett fungerande vägguttag.

KONTROLLER PÅ FRAMSIDAN

1. POWER

Ett tryck på knappen slår på apparaten. Fönstret på L-40 visar de aktuella inställningarna. Ett andra tryck på AV/PÅ knappen slår av apparaten. När apparaten slås av lagras alla de senaste inställningarna i ett minne. L-40 återgår till dessa inställningar när strömmen slås på igen även om apparaten varit urkopplad från nätet. Apparaten kan hålla inställningarna i minnet ett par veckor utan att vara ansluten till elnätet.

FJÄRRKONTROLLEN:

STAND-BY knapp (grön):

Tryck på denna knapp för att slå av apparaten till Stand-by läge och vice versa: Tryck på den här knappen igen för att sätta på apparaten från Stand-by läge.

Observera:

Stand-by läget indikeras av en orange lysdiod ovanför den gröna POWER knappen på frontpanelen (Nr 1)

I Stand-by läget använder L-40 väldigt lite effekt. Men vi rekommenderar att man stänger av apparaten helt med huvudströmbrytaren om den inte skall användas på ett par dagar. Stäng av genom att trycka på POWER knappen på front panelen (Nr.1), alla lampor på apparaten slocknar då.

2. Hörlurar

För lyssning i hörlurar finns ett 6.3mm hörlursuttag på frontpanelen. Uttaget har sin egen förstärkarkrets och kan driva alla konventionella hörlurar oavsett impedans. Alla signalkällor som är inkopplade på L-40 kan avlyssnas. Högtalarna kopplas ur när ett par hörlurar kopplas in. Volym, balans och klangfärg kan regleras som vanligt på frontpanelen. Om dina hörlurar har en annan typ av anslutningskontakt kan man använda en adapter, fråga din handlare vilken typ du behöver.

VARNING!

Se till att volymen är nedvriden när du ansluter lurarna. Lyssning på höga ljudnivåer kan skada din hörsel.

3. SKIVSLÄDEN.

För att ladda en CD trycker du på STOP/OPEN (Nr 5) knappen för att öppna släden. Placera CDn i det runda facket i skivsläden med etikettsidan uppåt. Tryck på OPEN igen för att stänga släden eller tryck på PLAY/PAUSE för att stänga och starta avspelningsen. De två olika storlekarna på urfasningarna i släden är till vanliga 5"CD i den stora och till små 3"CD-singlar i den lilla urfasningen.

Varning!

Lägg inga främmande föremål i CD-spelaren då det kan skada maskinen. L-40 är inte konstruerad att användas med så kallade dämpskivor, inte heller skall du lägga två CD-skivor i släden.

L-40 är bara avsedd för vanliga ljud-CD. CD-ROM, DVD, CD-Video, CDi och PHOTO-CD fungerar inte i denna spelare.

4. DISPLAY (LCD)

LCD displayen ger information om vilken signalkälla som valts och statusen på CDn and radiodelen.

I CD-läge:

TRACK NUMBER (spårnummer). Varje skiva är uppdelad i numrerade spår, varje spår motsvarar oftast en låt eller en sats i en symfoni t.ex.

Dessa olika spår finner man oftast på skivans omslag och är inkodade på skivan vid inspelningstillfället av tillverkaren. Normalt visar den numeriska delen av displayen den förflutna tiden på det aktuella spåret. Genom att använda Displayknappen (Nr 14) kan du välja att visa skivans återstående tid.

En högerriktad pil ►, placerad vid displayens vänstra kant, lyser under avspelning. Två vertikala stolpar ■■ indikerar att spelaren är i pausläge.

I stoppläge återgår spelaren till att visa skivans antal spår och totala speltid

"NO DISC" indikeras i displayen när det inte är någon skiva i släden eller om fel typ av skiva lagts i eller om det är något fel på skivan (den lagts i upp och ner eller är smutsig).

"REPEAT 1" lyser i övre, vänstra hörnet av displayen vid repetering av enstaka spår.

"REPEAT ALL" lyser när man repeterar en hel skiva eller ett program.

Både **"REPEAT 1"** och **"REPEAT ALL"** kan kopplas på med knapp nummer 9.

"TOTAL REMAIN" lyser högst upp i mitten av displayen, om du har tryckt på Display-knappen för att visa återstående tid i displayen för ett stycke, skiva eller program.

"RANDOM"

När spelaren är i RANDOM-läge står det "RANDOM" i fönstret.

"PROGRAM"

PROGRAM lyser i övre, högra höger när man programmerar in ett urval låtar i spelarens minne (väljs med STORE och CANCEL knapparna (Nr 10+12)). PROGRAM lyser också upp under avspelningsen av de programmerade låtarna.

I TUNER (radio) läge:

Den numeriska delen av displayen visar normalt numret på det aktuella snabbvalet och radiostationens namn om det är en RDS station som tas emot,

eller det inprogrammerade namnet. Om stationen inte sänder RDS eller inget namn programmerats in, visas stationens frekvens i megaHertz (MHz).

“**ANTENN**”, och de horisontella balkarna under lyser i displayen för att visa signalstyrkan på den mottagna signalen. Ju fler balkar som tänds desto starkare signal.

Centre Tune, indikeras av en punkt direkt över “**TONE DEFEAT**” indikatorn, tänds om radion är exakt rätt inställd mitt på radiostationen. Centre Tune tänds också när apparaten tar emot ett kommando från fjärrkontrollen.

“**RDS**”, i övre högra hörnet, tänds när en station som mottas sänder RDS-information.

ALLMÄNT:

“**BASS EQ**” tänds i displayen om BASS EQ är inkopplat (Nr 15)

“**TONE DEFEAT**” tänds i displayen om TONE DEFEAT är inkopplat (Nr 13).

FJÄRRKONTROLLMOTTAGARE. En mottagare för infraröda signaler sitter placerad på vänster sida i displayen. Här tas signalerna från fjärrkontrollen emot. Se till att ingenting skymmer detta fönster, annars fungerar inte fjärrkontrollen. En punkt tänds också när apparaten tar emot ett kommando från fjärrkontrollen.

5. STOP/OPEN.

Tryck på denna knappen för att avsluta avspelning samtidigt nollställs eventuellt repeteringsalternativ och laserpickupen återgår till skivans startläge. I fönstret visas antal spår på skivan och skivans totala speltid.

Tryck på knappen igen för att öppna skivsläden. Tryck en gång till för att stänga släden.

När släden är stängd kommer spelaren att söka igenom skivans ”innehållsförteckning” och visa antalet spår och skivans totala speltid. Om släden stängs genom att man trycker PLAY hoppas denna informationen över och avspelning påbörjas från spår 1 på CDn.

Observera: Släden öppnas och stängs med en motor, försök inte att manövrera skivsläden för hand när spelaren inte är påslagen eller med våld.

FJÄRRKONTROLL:

På fjärrkontrollen finns det också en STOP knapp vilken utför nästan samma sak som knappen på frontpanelen på L-40, denna knappen kan dock inte öppna och stänga släden.

6. PLAY/PAUSE

Tryck en gång för att påbörja avspelning, när en

skiva spelas visas tecknet ► i fönstret eller för att återuppta avspelning från pausläge. Under avspelning kan man göra en paus i avspelningen för att sedan kunna starta från samma punkt.

samtidigt som aktuellt spår och förfluten tid (minuter och sekunder) för spåret visas. När du har pausat spelaren visas ■■ i displayen.

Tryck på PLAY för att starta avspelning av det spår som visas i fönstret. Om du trycker på PLAY när släden är ute men med en CD-skiva i, kommer släden att åka in och avspelning påbörjas från första spåret. Om PLAY trycks medan en skiva spelas, kommer pågående spår att tas om från början.

För att återuppta avlyssning från samma ställe som du pausade på, tryck på PLAY/PAUSE igen.

Både SKIP och SCAN kan användas i pausläge för att välja andra spår eller en annan plats på skivan.

7. SKIP/PRESET

SKIP/PRESET kontrollerna sköter två olika knappar på var sida om kontrollen, Dessa indikeras av små upphöjda punkter. För att använda den trycker du på endera av de önskade punkterna, den vänstra för SKIP BAKÅT ◀◀ (hoppa bakåt), och den högra för SKIP FRAMÅT ▶▶ (hoppa framåt).

I CD Läge:

SKIP BAKÅT ◀◀ (hoppa bakåt)

SKIP ◀◀ knappen kan du hoppa tillbaka till början på det spåret du spelar eller bakåt till tidigare spår.

Om du trycker SKIP ◀◀ en gång under avspelning, kommer pågående spår att tas om från början. För att komma till spåret innan måste du trycka två gånger i följd på SKIP ◀◀ . Under spelning av ett program kommer SKIP ◀◀ att hoppa till det tidigare spåret i programmet. Om du håller knappen intryckt kommer spelaren att stegvis söka sig tillbaka till spår ett.

SKIP FRAMÅT ▶▶

Under spelning av ett program kommer SKIP ▶▶ att hoppa till nästa spår i programmet och fortsätta avspelningen. Med SKIP FRAMÅT-knappen kan du hoppa till början på nästa spår. Om du vill höra prov på de olika spåren på en skiva, tryck på PLAY och hoppa fram med SKIP ▶▶ efter det att du lyssnat ett par sekunder. Om du försöker hoppa förbi det sista spåret i programmet kommer spelaren att avbryta spelandet och stanna.

I RADIO LÄGE:

PRESET (SNABBVAL)

Tryck på PRESET upp eller ner för att välja någon av de förinställda FM snabbval stationerna. Varje gång knappen trycks, kommer displayen att visa stationens snabbvalsnummer och frekvens eller stationens namn om den sänder RDS information.

På fjärrkontrollen finns det också SKIP/PRESET knappar. Dessa knapparna fungerar på samma sätt som knapparna på frontpanelen.

NAMNGE OCH LAGRA EN STATION I MINNET

Ställ in önskad station med SEARCH/TUNE knapparna (Nr 17). Tryck på REPEAT knappen förutom en blinkande linje blir displayen tom. Inom 10 sekunder kan du nu knappa in det första önskade tecknet.

Välj tecken med SKIP/PRESET knapparna (Nr 7). Tryck på den högra delen av SKIP/PRESET knapparna för att stega dig igenom tillgängliga tecken i alfabetisk och numerisk ordning: (mellanslag) > 0 > 1 > 2 > 3 vidare till 9 > A > B > C till Z > (mellanslag) > 0 > 1 > 2 > och så vidare. Tryck på den vänstra SKIP/PRESET knappen för att stega åt motsatt håll: Z > Y > X vidare till A > 9 till 3 > 2 > 1 > 0 > (mellanslag) > Z > Y > X > och så vidare.

Använd högra delen av SEARCH/TUNE (Nr 17) knappen för att flytta till nästa position till höger för att knappa in det andra tecknet och välj tecken som beskrivs ovan.

Knappa in de andra tecknen med SKIP/PRESET och SEARCH/TUNE knapparna som beskrivs ovan.

När alla tecknen har lagts in korrekt trycker du STORE (Nr 10).

Tryck på STORE igen för att lagra det till snabbvalsnummret (se del 10)

NAMNGE EN REDAN LAGRAD STATION.

Ställ in önskat snabbval du vill namnge. Tryck på REPEAT knappen förutom en blinkande linje blir displayen tom. Inom 10 sekunder kan du nu knappa in det första önskade tecknet.

Välj tecken med SKIP/PRESET knapparna (Nr 7). Tryck på den högra delen av SKIP/PRESET knapparna för att stega dig igenom tillgängliga tecken i alfabetisk och numerisk ordning: (mellanslag) > 0 > 1 > 2 > 3 vidare till 9 > A > B > C till Z > (mellanslag) > 0 > 1 > 2 > och så vidare. Tryck på den vänstra SKIP/PRESET knappen för att stega åt motsatt håll: Z > Y > X vidare till A > 9 till 3 > 2 > 1 > 0 > (mellanslag) > Z > Y > X > och så vidare. Använd högra delen av SEARCH/TUNE (Nr 17) knappen för att flytta till nästa position till höger för att knappa in det andra tecknet och välj tecken som beskrivs ovan.

Knappa in de andra tecknen med SKIP/PRESET och SEARCH/TUNE knapparna som beskrivs ovan.

När alla tecknen har lagts in korrekt trycker du STORE (Nr 10).

Tryck på STORE igen för att lagra det till snabbvalsnummret (se del 10)

OBSERVERA:

Det är alltid möjligt att ändra ett namn. Man använder samma procedur som beskrivs under "NAMNGE EN REDAN LAGRAD STATION". Istället för en blank linje visas det första gamla tecknet blinkande i displayen när du trycker REPEAT. Du kan enkelt skriva över genom att välja nya tecken.

TÄNK PÅ ATT:

Det är inte möjligt att ge en RDS station nytt namn. Det namn som sänds (PS) lagras och visas automatiskt.

12. CANCEL (avbryt)

I CD LÄGE:

CANCEL knappen fungerar i kombination med STORE knappen (Nr 10) som gör att du kan radera spår du inte vill höra. Se delen om STORE (Nr 10) om hur man programmerar och använder Program Play.

I RADIO LÄGE:

För att radera ett specifikt snabbval väljer du det snabbvalet och trycker CANCEL, snabbvalsnummret börjar att blinka. Inom 6 sekunder trycker du CANCEL igen. För att bekräfta att snabbvalsplatsen är tom visas "PRESET CLEAR" i displayen.

13. TONE DEFEAT (urkoppling av tonkontrollerna)

TONE DEFEAT knappen kopplar förbi tonkontrolldelen på L 40. Om du normalt har tonkontrollerna i läge "klockan 12" rekommenderar vi att du trycker in TONE DEFEAT knappen. För att visa att TONE DEFEAT är intryckt visas "TONE DEFEAT" i displayen. Förbikoppling av tonkontrollerna ger ett något renare ljud och rak frekvensgång.

14. DISPLAY

I CD LÄGE:

DISPLAY knappen har tre lägen:

TIME (tid): Förfluten tid i minuter och sekunder sedan början på spåret. (detta är grundinställningen, den väljs automatiskt när spelaren sätts på.)

REMAIN (återstående tid): Den totala speltiden som återstår tills skivan är slut och antalet kvarvarande spår. (inkluderande det aktuella spåret), eller återstående antal spår och tid vid Program Play.

TOTAL: Totala antalet spår och speltid på skivan.

I RADIO LÄGE:

När man lyssnar på en RDS station har DISPLAY

knappen tre lägen:

Som grundinställning visas namnet på den RDS station (RDS PS).

Tryck en gång på DISPLAY knappen för att se Radio Text (RDS RT). Radio text informationen kan bestå av programmets eller presentatörens namn, vilken låt som spelas, etc. Texten rullas fram kontinuerligt över displayen. Om stationen inte sänder RadioText kommer displayen att visa "NO TEXT".

Tryck på knappen igen för att visa stationens frekvens och signalstyrka.

Tryck på knappen en gång till för att återgå till displayens grundläge med stationsnamnet (RDS PS).

Ett tryck på DISPLAY knappen när man är inställd på en station utan RDS ger meddelandet "NO RDS" i 5 sekunder innan den återgår till normal visning igen.

8. INGÅNSVÄLJARE

INGÅNSVÄLJAREN sköter två olika knappar på var sida om kontrollen, Dessa indikeras av små upphöjda punkter. För att använda den trycker du på endera av de önskade punkterna.

Trycker du på den högra sidan kommer L-40 att stega sig igenom de olika signalkällorna enligt följande sekvens: CD > Aux > Tape > Tuner > CD.

Trycker du på den vänstra sidan kommer L-40 att stega sig igenom de olika signalkällorna i motsatt ordning: CD > Tune > Tape > Aux > CD.

Tryck på endera knappen tills önskad källa visas i displayen.

FJÄRRKONTROLLEN:

Fjärrkontrollen har separata knappar för varje signalkälla. Tryck på motsvarande knapp för den signalkälla som önskas.

9. REPEAT (repetering)

Denna knappen startar en repeteringsfunktion. Tryck på REPEAT knappen en gång för att välja REPEAT 1 läget, vilket repeterar det spelade stycket om och om igen tills man avbryter. Ytterligare ett tryck på REPEAT knappen ger REPEAT ALL läget. Här repeteras hela skivan eller ett programmerat stycke från början till slut. Ett tredje tryck på Repeat knappen avbryter repeteringen och spelaren fungerar som vanligt igen.

10. STORE (lagring i minnet)

I CD LÄGE:

L 40 CD har en funktion där du kan välja bort vilka låtar på en skiva som du inte vill höra (negativ programmering). Programmering av CD spelaren kan bara göras med en CD i spelaren och i stoppläge.

För att aktivera Program läget, tryck på STORE(lagra). Använd SKIP/PRESET knapparna för att välja spår som du inte vill höra, spårnumret blinkar då i displayen. Tryck CANCEL Nr. 12 (annulera), för att bekräfta vilket spår du vill ta bort. Displayen bekräftar att ditt val med texten "P--01".

Välj nästa spår som skall bort och tryck CANCEL igen, displayen visar nu "P--02". Repetera denna procedur tills alla spåren du inte vill höra har valts. Efter att du valt de spår du inte vill höra, trycker du på PLAY för att spela de kvarvarande låtarna. Under programmerad avspelning visas texten "PROGRAM" i displayen.

OBSERVERA:

Om man trycker STOP/OPEN (Nr 5) raderas programmet och Program läget kopplas bort. Om du byter till en annan signalkälla (radio t.ex.) raderas programmet och Program läget också.

I TUNER (radio) LÄGE:

Radiodelen i L 40 kan lagra upp till 30 radiostationer (snabbval) i det inbyggda minnet.

För att lagra en station som snabbval ställer du

först in önskad station med SEARCH/TUNE knapparna (Nr 17).

Tryck på STORE knappen. Displayen visar det lägsta tillgängliga snabbvalsnumret i ungefär sex sekunder. Tryck STORE igen inom dessa sex sekunder för att lagra stationen på det aktuella snabbvalsnumret. Om du vill lagra stationen på ett annat snabbvalsnummer använder du SKIP/PRESET knapparna (Nr 7) för att välja ett nytt nummer innan du trycker STORE igen. Tänk på att bara lediga nummer visas, Om du skulle vilja använda ett redan upptaget nummer måste den gamla inställningen raderas först. (se delen "RADERA, Nr 12)

Bra att veta:

Förutom själva radiostationen, lagras också information den tas emot med Mono (Nr 16) inkopplat. Detta är bra om du önskar lyssna på svaga stationer. Proceduren är den samma som beskrivs ovan, men efter det att du valt snabbvalsnummer, trycker man in MONO (Nr 16), "STEREO" försvinner från displayen. Tryck STORE.

Tänk på att:

Apparaten återgår själv från "STORE" läge om inga knappar trycks inom ungefär fem sekunder.

11. RANDOM (Slumpmässig avspelning)

I CD läge:

Om man trycker på RANDOM knappen kommer spelaren att spela upp alla låtarna i slumpmässig ordning. Tryck på RANDOM i antingen Stop eller medan den spelar en skiva, då kommer -40 att spela spåren på skivan i slumpmässig ordning tills alla spår är spelade. Ytterligare ett tryck på RANDOM återställer spelaren i normalläge. När spelaren är i RANDOM-läge står det "RANDOM" i fönstret.

RANDOM kan kombineras med REPEAT ALL funktionen. Spelaren kommer då att spela upp låtarna på skivan i slumpmässig ordning gång på gång.

OBSERVERA:

RANDOM kan inte användas tillsammans med Programmerad avspelning (se del 10).

I RADIO LÄGE:

Många människor tycker att det är svårt komma ihåg vilka radiostationer som hör ihop med vilka frekvenser. För att undvika sådan förvirring kan man namnge varje snabbval med upp till 8 tecken.

När du väljer en snabbvalsstation visas namnet istället för frekvensen. Till exempel 99,40 motsvarar Riksradios P3 kan programmeras att visa "RR P3" i displayen.

Det finns två sätt att namnge ett snabbval:

Namnge och lagra en station i minnet

Namnge en redan lagrad station.

15. BASS EQ

Små högtalare har oftast sämre förmåga att återge djup bas på grund av de fysiska begränsningarna. BASS EQ funktionen kompenserar för denna oförmåga, genom att sträcka ut högtalarens användbara frekvensgång i basen markant. Eftersom inte all musik innehåller dessa väldigt låga toner kan effekten inte vara direkt uppenbar på all musik eller alla inspelningar. Med musik som innehåller mycket djupbasinformation kommer effekten att vara en dramatisk förbättring.

Tryck på BASS EQ knappen för att aktivera, "BASS EQ" tänds i displayen.

Tryck på BASS EQ knappen igen för att koppla ur den.

OBSERVERA:

BASS EQ kretsen innehåller också ett infrasonic filter som filtrerar bort allt under 25Hz för att förhindra att förstärkaren inte slösar bort effekten på signaler utanför musikens frekvensområde och under vad örat kan uppfatta. Med musik som innehåller extrem djupbas är det möjligt att överbelasta L 40s förstärkare eller högtalare. Detta hörs som förvrängning av musiken, om du skulle höra det bör du koppla ur BASS EQ och /eller sänka volymen tills det låter rent igen.

16. MONO

Om en stark stereo FM signal mottas kommer din NAD L 40 automatiskt att koppla om till Stereo FM mottagning, vilket man ser på STEREO indikatorn i displayen. Då sker också sökningen mellan stationerna tyst, utan bakgrundsbrus.

Svaga stereosignaler kan ha ett högt bakgrundsbrus. Om man kopplar om till Mono läge genom att trycka på MONO knappen kommer det mesta av bakgrundsbruset att försvinna. Tryck igen MONO knappen för att återgå till Auto Stereo FM läget.

Det är möjligt att lagra MONO läge till ett snabbval. På så vis behöver du inte koppla om till mono varje gång du vill lyssna på den stationen. Se delen STORE (Nr 10) för mer information.

NOTE:

MONO fungerar bara på radiodelen på L 40. Med CD, Tape eller Aux, används MONO knappen inte.

17. SEARCH/TUNE

I CD LÄGE:

SEARCH BACK ◀◀ (sökning bakåt)

SEARCH ◀◀ knappen får laserpickupen på CDspelaren att söka bakåt genom skivan med hög hastighet. Denna knappen fungerar bara när spelaren är i PLAY eller PAUSE. Efter STOP eller efter att en ny skiva lagts i måste man trycka på PLAY innan sökningen fungerar.

Om sökningen startar när spelaren är i PAUSE läge sker sökningen tyst och går med ungefär 15-20 gånger den normale avspelningshastigheten. Om sökningen startas i PLAY läge hörs musiken fragmentariskt när spelaren söker genom innehållet.

Denna sökning med medhörning kan användas för att hitta exakt var man vill börja lyssna.

Om du söker tillbaka till skivans början från spår ett, kommer spelaren att gå över att spela upp skivan normalt från start.

SEARCH FORWARD ▶▶ (sökning framåt)

SEARCH ▶▶ knappen får laserpickupen på CDspelaren att söka framåt genom skivan. Funktionen är densamma som beskrivs under SEARCH ◀◀ .

Om du söker från till skivans slut när sista spåret spelas kommer spelaren att stanna och skivans innehåll visas i displayen.

I RADIO LÄGE:

Med L 40 kan du ställa in radiostationer på två sätt, manuellt eller med automatisk sökning.

För att söka automatiskt: Tryck på antingen ◀◀ eller ▶▶ knapparna på SEARCH/TUNE kontrollen i mer än en 1 sekund och släpp för att söka antingen ner eller uppåt i frekvensbandet. Radiodelen kommer automatiskt att söka upp och ner på FM bandet för att hitta den första stationen med tillräckligt stark signal. När den funnit en någorlunda stark signal stannar den och ställer in sig korrekt till den radiostationen. "Centre Tune" indikatorn (en enkel lysdiod i displayen) tänds när stationen är korrekt inställd.

Hur du ställer in en station manuellt:

Tryck på antingen ◀◀ eller ▶▶ knapparna på SEARCH/TUNE kontrollen för att söka antingen ner eller uppåt i frekvensbandet. Radiodelen kommer att söka på FM bandet. När du kommer i närheten av den önskade frekvensen tryck kort på andra sidan av SEARCH/TUNE kontrollen för att stoppa sökningen. Vid varje upprepat kort tryck på var sida om ◀◀ eller ▶▶ SEARCH/TUNE knappen, kommer radion att ta små steg om 0.025MHz.

"Centre Tune" indikatorn (en enkel lysdiod i displayen) tänds när stationen är korrekt inställd.

OBSERVERA:

Ibland kan signalen ifrån en radiostation vara så svag att signalnivån hamnar under tröskeln för radions "muting" kretsar (en krets som undertrycker brus mellan stationerna vid sökning) så att man inte kan höra stationen även om man har ställt in rätt frekvens. I så fall kan man trycka på MONO knappen (Nr 16) för att koppla ur muting kretsen.

18. BAS & DISKANT KONTROLLERNA

BAS och DISKANT tonkontrollerna används för att justera klanbalansen i systemet.

När kontrollerna står i "klockan 12" är frekvensgången rak och kontrollerna påverkar ej klangen.

Man vrider kontrollerna medsols för att öka eller motsols för att minska mängden bas eller diskant.

Tonkontrollerna påverkar inte inspelningar gjorda via bandspelarutgångarna men påverkar signalen ut på förförstärkar utgångarna (Pre Out).

TÄNK PÅ ATT:

TONE DEFEAT (Nr 13) inte är intryckt då tonkontrollerna inte fungerar om den är det ("TONE DEFEAT" är tänt i displayen).

19. BALANS

BALANS Kontrollen reglerar den relativa nivåerna mellan höger och vänster högtalare. Med kontrollen i "klockan 12" läge är nivån lika i båda kanalerna. En markering indikerar denna position.

När man vrider kontrollen medsols flyttas balansen åt höger. När man vrider kontrollen motsols flyttas balansen åt vänster.

BALANS kontrollen påverkar inte inspelningar gjorda via bandspelarutgångarna men påverkar signalen ut på förförstärkar utgångarna (Pre Out).

20. VOLYM

VOLYM kontrollen reglerar den totala ljudstyrkan på de signaler som matas till högtalarna.

På fjärrkontrollen finns det två knappar för volym. Tryck på UP knappen för att öka volymen, tryck på DOWN knappen för att minska volymen. När man använder DOWN eller UP volymkontrollknapparna på fjärrkontrollen, visar displayen respektive "VOL DOWN" eller "VOL UP". Den motoriserade volymkontrollen på frontpanelen rör sig upp och ner på samma gång.

OBSERVERA:

Volymkontrollen påverkar inte inspelningar gjorda via bandspelarutgångarna men påverkar signalen ut på förförstärkar utgångarna (Pre Out).

FJÄRRKONTROLLEN**ISÄTTNING OCH BYTE AV BATTERIER**

Fjärrkontrollen BEHÖVER två 1.5-volt AAA-storlek (kallas även UM-4 eller IEC RO3) batterier. Alkaliska batterier rekommenderas, för längsta livslängd.

För att öppna batteriluckan, placerar du din fingertopp i försänkningen på baksidan på fjärrkontrollen, tryck mot den flexibla kanten på batteri locket och lyft det uppåt. Installera nya batterier, orienterar dem på det sätt som visas i botten av facket. Spiralfjädrarna skall ha kontakt med (-) ändan på varje batteri.

Tryck tillbaka luckan igen och tryck försiktigt tills den stängs.

I vissa fall kan en dåligt fungerande fjärrkontroll skyllas på korrosion eller fett från fingrar på batterikontaktarna. Tag ur bägge batterierna, gnugga metallkontaktarna på båda sidorna av batteriet med en ren trasa eller ett suddgummi och sätt tillbaka dem igen åt rätt håll.

STAND-BY knappen (grön):

Tryck på denna knappen för att slå av apparaten från påslaget läge till Stand-by läget och vice versa: Tryck på knappen igen för att slå på apparaten igen från Stand-by.

OBSERVERA:

Stand-by läget visas av en orange lysdiod ovanför den gröna POWER knappen på frontpanelen (Nr 1) I Stand-by läge förbrukar L 40 mycket lite ström. Vi rekommenderar ändå att man stänger av apparaten helt om man inte skall använda den på ett par dagar. Man stänger av den helt genom att trycka på den gröna POWER knappen på frontpanelen (Nr 1), alla lampor släcks.

VOLYM UP och DOWN knapparna:

På fjärrkontrollen finns det två knappar för volym. Tryck på UP knappen för att öka volymen, tryck på DOWN knappen för att sänka volymen. När du använder DOWN eller UP volymkontrollknapparna på fjärrkontrollen, visar displayen respektive "VOL DOWN" eller "VOL UP". Den motoriserade volymkontrollen på frontpanelen rör sig upp och ner på samma gång.

MUTE knappen:

När man trycker på denna knappen kommer volymen att sänkas rejält (med 20dB). Detta kan vara bra för att snabbt sänka volymen för att svara i telefonen t.ex. När apparaten är "mutad" visas "MUTE" i displayen oavsett i vilket läge apparaten är i.

Tryck på MUTE igen för att återgår till ursprunglig volym.

STOP knappen:

Tryck på knappen för att stoppa CD avspelning eller för att rensa "Program Play". På frontpanel finns det också en STOP knapp som gör nästan samma sak som knappen på fjärrkontrollen, men denna knappen öppnar och stänger också CD-slåden.

CD, TUNER, AUX och TAPE knapparna:

Till skillnad från frontpanelen, fjärrkontrollen har separata knappar för varje ingång. Tryck på motsvarande knapp för önskad signalkälla.

PLAY/PAUSE, SKIP/PRESET, och DISPLAY knapparnas funktion är samma som dom med samma namn på frontpanelen av apparaten (respektive Nr 6, 7 och 14 på frontpanelteckningen).

UNDERHÅLL

Då och då kan man öppna slåden och torka den ren från damm.

HANTERING OCH FÖRVARING AV CD-SKIVOR.

CD-skivor bör hanteras med varsamhet. Avspelningen försämras inte av små dammpartiklar, några lätta fingeravtryck eller små repor. Men stora repor och smetiga fingeravtryck kan hindra lasern att läsa skivan.

Fastän skivorna läses från den blanka sidan ligger informationen lagrad närmast ettikettsidan under ett tunt lager lack. Följaktligen skadar en liten repa mer på ettikettsidan än på den blanka avspelningssidan. Du skall ändå vara aktsam så att du undviker repor på någon av sidorna.

Grova repor och fingeravtryck kan få spelaren att sluta spåra (det låter som spelaren hoppar när den söker efter spåret eller att den "hackar" på samma ställe). Mindre skador kan låta som skurar av högfrekvent brus. Spårnings och felkorrigeringskretasarna på NAD L-40 är av mycket hög kvalitet och den kan spela skivor som de flesta andra spelare har problem med. Trots det skall man vara rädd om skivorna.

För bästa resultat bör du hålla CD-skivorna i centrumhålet och kanten med tumme och pekfinger och undvik att beröra skivans blanka avspelningssida.

När en skiva är färdigspelad bör du lägga tillbaka den i dess fodral.

För att öppna ett CD-fodral håller du om lockets övre och undre kanter med tumme och pekfinger på vänster hand, öppna genom att lyfta med din högra tumme placerad på askens högra kortsida. Skivan hålls på plats av det fjädrande navet i mitten. För att ta loss skivan trycker du med tummen på navet samtidigt som du lyfter skivan med pekfingeret. För att lägga tillbaka skivan i asken lägger du den på plats och trycker på navet så att skivan fastnar igen.

RENGÖRING AV CD-SKIVOR.

Alla CD-spelare har svårt att läsa dammiga, smutsiga och skadade skivor. Små repor och fingeravtryck kan spelarna oftast klara av att läsa igenom men större märken kan få avspelningen att hacka och hoppa eller stanna helt. Om det skulle hända bör du ta ut skivan och kontrollera om den är skadad eller smutsig. Rengör en skiva genom att torka av den med en ren, mjuk trasa från mitten rakt ut. Torka aldrig runt en skiva. Om skivan skulle vara hårt smutsad kan den tvättas med en mild tvållösning. Använd inte lösningsmedel eller medel avsedda för LP-skivor.

OM SJÄLVA LASERN

En CD-spelare innehåller en halvledardiod laser monterad i en servostyrd spårningsmekanism.

Lasern belyser spåren i skivan vilka sedan läses av en fotodiod. Den digitala dataströmmen omvandlas sedan till en analog vågform i två stereokanaler.

Man kan inte se laserljuset med blotta ögat då den arbetar på en våglängd av 780 nanometer vilket är infrarött ljus vilket det mänskliga ögat inte kan se.

En CD-spelare är ofarlig för barn att använda. Lasern arbetar med väldigt låg effekt och är täckt inne i spelarens chassi. Även en spelare med locket avmonterat är ofarlig då lasern fokuserar endast en millimeter från linsen och sprids sedan och kan inte skada ögonen.

FELSÖKNING

SYMPTOM	TOLIG ORSAK	ÅTGÄRD
<ul style="list-style-type: none"> Ingen ström när man trycker på strömbrytaren. 	<ul style="list-style-type: none"> Ingen anslutning till vägguttag eller glappkontakt. 	<ul style="list-style-type: none"> Sätt i stickkontakten ordentligt i vägguttaget.
<ul style="list-style-type: none"> Avspelning av skivan startar inte. 	<ul style="list-style-type: none"> Skivan är upp och ner vänd. Skivan är för smutsig. 	<ul style="list-style-type: none"> Lägg i skivan med etiketten uppåt. Rengör skivan.
<ul style="list-style-type: none"> Inget ljud. 	<ul style="list-style-type: none"> Felaktiga signalkablar. Ingen eller svag radiostation inställd. 	<ul style="list-style-type: none"> Kontrollera kablar och anslutningar. Ställ in radion.
<ul style="list-style-type: none"> Överhettningsskyddet aktiverat. 	<ul style="list-style-type: none"> Stäng av och sänk volymen. 	<ul style="list-style-type: none"> Sätt på igen när apparaten svalnat. En säkring har gått, kontakta din handlare.
<ul style="list-style-type: none"> Inget ljud i ena kanalen. 	<ul style="list-style-type: none"> Balanskontrollen står ej i mitten. En signalkabel ej ansluten eller skadad. 	<ul style="list-style-type: none"> Ställ in balansen i mittläget. Kontrollera kablar och anslutningar.
<ul style="list-style-type: none"> Hackande ljud. 	<ul style="list-style-type: none"> L 40 påverkas av yttre störningar eller fysiska stötar. 	<ul style="list-style-type: none"> Flytta apparaten till en lugnare plats.
<ul style="list-style-type: none"> Fjärrkontrollen fungerar inte. 	<ul style="list-style-type: none"> Batterierna i fjärrkontrollen är slut. Föremål i vägen för spelarens mottagare. 	<ul style="list-style-type: none"> Byt batterier. Flytta de föremål som skymmer.
<ul style="list-style-type: none"> Ett brummande ljud hörs. 	<ul style="list-style-type: none"> Lös högtalaranslutning. 	<ul style="list-style-type: none"> Kontrollera anslutningarna.
<ul style="list-style-type: none"> Svag bas, diffus stereobild. 	<ul style="list-style-type: none"> Högtalarna anslutna till förstärkaren ur fas. 	<ul style="list-style-type: none"> Kontrollera "+" and "-" anslutningarna på båda högtalarna.
<ul style="list-style-type: none"> Störd mottagning, brus. 	<ul style="list-style-type: none"> Svag signal. 	<ul style="list-style-type: none"> Kontrollera radioinställningen. Justera eller byt ut antennen.
<ul style="list-style-type: none"> Förvrängd mottagning. 	<ul style="list-style-type: none"> Multi-path eller interferens från annan sändare. 	<ul style="list-style-type: none"> Kontrollera radioinställningen. Justera eller byt ut antennen.
<ul style="list-style-type: none"> Mottagning med visslande, surrande ljud. 	<ul style="list-style-type: none"> Interferens från datorer eller TV-spel. 	<ul style="list-style-type: none"> Kontrollera radioinställningen. Stäng av eller flytta störkällan.
<ul style="list-style-type: none"> Ingen station hittas i sökläget. 	<ul style="list-style-type: none"> Otillräcklig signal. 	<ul style="list-style-type: none"> Kontrollera antennanslutningen. Justera positionen på bandantennen.

GUIA DE CONSULTA RÁPIDA:

Generalidades: Como ...	Consulte: Capítulo;	Secção:
ligar os altifalantes	Ligações do Painel Traseiro	1
ligar a antena de FM	Ligações do Painel Traseiro	5
ligar e utilizar o NAD-Link	Ligações do Painel Traseiro	6
ligar um deck de cassetes	Ligações do Painel Traseiro	2
ligar uma fonte de som adicional (Leitor de MiniDisc, televisão) a tomada AUX	Ligações do Painel Traseiro	3
ligar/desligar a alimentação ou colocar o leitor de CD em Stand-by	Comando do Painel Dianteiro	1
utilizar a tomada para os auscultadores	Comando do Painel Dianteiro	2
seleccionar uma fonte	Comando do Painel Dianteiro	8
utilizar os comandos da Tonalidade e a fução Tone Defeat	Comando do Painel Dianteiro	13 e 18
utilizar a fução Bass EQ	Comando do Painel Dianteiro	15
utilizar o controlo remoto	Controlo remoto	
substituir as pilhas do aparelho de controlo remoto	Controlo remoto	
Sintonizador: Como ...		
memorizar uma estação	Comando do Painel Dianteiro	10
apagar uma estação memorizada	Comando do Painel Dianteiro	12
introduzir/alterar o nome de uma estação memorizada	Comando do Painel Dianteiro	11
sintonizar uma estação de rádio automaticamente (pesquisa)	Comando do Painel Dianteiro	17
sintonizar uma estação de rádio manualmente	Comando do Painel Dianteiro	17
sintonizar uma estação de rádio fraca (abafamento desligado)	Comando do Painel Dianteiro	16
exibir a informação RDS (PS; nome da estação e RT; Texto de rádio)	Comando do Painel Dianteiro	14
CD: Como ...		
colocar um CD	Comando do Painel Dianteiro	3 e 5
reproduzir um CD	Comando do Painel Dianteiro	6
fazer uma pausa na leitura do CD	Comando do Painel Dianteiro	6
saltar para uma faixa diferente	Comando do Painel Dianteiro	7
activar o modo Repeat 1 (repetir 1 faixa) e Repeat All (repetir todas)	Comando do Painel Dianteiro	9
programar uma escuta de faixas selectiva	Comando do Painel Dianteiro	10 e 12
activar a fução Random Play (leitura aleatória)	Comando do Painel Dianteiro	11
exibir a informação do tempo de leitura do CD	Comando do Painel Dianteiro	14
pesquisar por entre as faixas	Comando do Painel Dianteiro	17

OBSERVAÇÕES SOBRE A INSTALAÇÃO

O seu receptor L 40 deverá ser instalado sobre uma superfície nivelada e sem vibrações. Evite instalar a unidade de modo a que fique directamente exposta aos raios solares ou junto a fontes de calor e humidade.

Garanta uma ventilação adequada. Não coloque a unidade sobre uma superfície mole, como por exemplo uma alcatifa. Não a coloque num espaço fechado, como uma estante para livros ou um armário, que possa impedir o fluxo do ar através das aberturas de ventilação.

Desligue a unidade antes de efectuar quaisquer ligações.

Utilize terminais e fios RCA de elevada qualidade de modo a obter uma performance e uma fiabilidade óptimas. Certifique-se que os terminais e os fios não apresentam danos de qualquer natureza e de que todos os terminais estão firmemente ligados. Os terminais e os fios RCA do receptor L 40 estão codificados através de cores, ou seja, o vermelho indica o circuito áudio Right (direito) e branco indica o circuito áudio Left (esquerdo).

Por forma a obter a melhor performance, utilize fios de altifalantes de boa qualidade com uma espessura de bitola igual ou superior a 16.

Se a unidade não for utilizada durante algum tempo, desligue a ficha da tomada de alimentação de CA.

No caso de cair água em cima do seu leitor de CD L 40 desligue a alimentação da unidade e retire a ficha da tomada de alimentação de CA. Antes de utilizar novamente a unidade, certifique-se que a mesma é inspeccionada por um técnico qualificado do serviço de assistência.

Não retire a tampa do leitor de CD; no interior da unidade não existem componentes que possam ser arranjados pelo utilizador.

Utilize um pano macio e seco para limpar a unidade. Se for necessário, humedeça ligeiramente o pano com água com sabão. Não utilize soluções que contenham benzol ou outros agentes voláteis.

LIGAÇÕES DO PAINEL TRASEIRO

1. ALTIFALANTES

Saídas para os altifalantes com uma impedância igual ou superior a 4 ohm.

O terminal 'RIGHT+' deverá ser ligado ao terminal '+' existente no seu altifalante do lado direito e o terminal 'RIGHT-' ligado ao terminal do altifalante assinalado com '-'.

Ligue os terminais assinalados com 'LEFT+' e 'LEFT-' ao altifalante do lado esquerdo da mesma forma.

Para ligar os altifalantes ao seu receptor L 40, recomenda-se a utilização de cabos de fios entrança-

dos reforçados ou cabos específicos para altifalantes.

Os terminais com travas de ligação de alta corrente podem ser utilizados como terminais de aperto para os cabos cujas extremidades possuam patilhas ou terminais de pinos, ou para cabos com fios a descoberto nas extremidades.

TERMINAIS DE PATILHA

Os terminais de patilha deverão ser introduzidos por debaixo do casquilho de aperto do terminal, que deve então ser firmemente apertado. Certifique-se que os terminais ficam bem fixos e de que não existe o perigo de o metal a descoberto nos terminais de patilha poder tocar no painel traseiro ou noutros terminais, dado que esta situação poderá provocar danos.

CABOS A DESCOBERTO E TERMINAIS DE PINOS

Os cabos a descoberto e os terminais de pinos deverão ser introduzidos no interior dos terminais dos altifalantes. Desaperte o casquilho de plástico dos terminais dos altifalantes até que a abertura do interior roscado fique a descoberto. Introduza a extremidade do pino ou do cabo a descoberto na abertura e fixe-a apertando o casquilho do terminal.

Evite que qualquer zona metálica dos cabos de ligação dos altifalantes toque no painel traseiro ou em qualquer outro terminal. Certifique-se de que existe apenas $\frac{1}{2}$ polegada (1cm) de pino ou cabo a descoberto e de que não existem fios soltos no cabo de ligação dos altifalantes.

2. TAPE IN, OUT (Entrada/Saída do Deck de cassetes)

Ligações para a gravação e reprodução sincronizada para um gravador de cassetes áudio de qualquer tipo. Com a ajuda de um cabo bifilar RCA-para-RCA, ligue a saída esquerda e direita [muitas vezes designadas como "playback (reprodução)", "Line out (linha de saída)", "Output (saída)", "Analogue Output (saída analógica)"] do deck de cassetes aos terminais TAPE IN (ENTRADA DO GRAVADOR) do receptor L 40 para iniciar a reprodução. Ligue a entrada esquerda e direita [muitas vezes designadas como "Record (gravar)", "Line in (linha de entrada)", "Input (entrada)", "Analogue Input (entrada analógica)"] do deck de cassetes aos terminais TAPE OUT (SAÍDA DO GRAVADOR) do receptor L40 para iniciar a gravação.

3. AUX INPUT (ENTRADA AUX)

Entrada para sinais de entrada do nível de linha adicionais como um leitor de minidisc. Utilize um cabo bifilar RCA-para-RCA para ligar as saídas auxiliares do nível de linha direita e esquerda da unidade [muitas vezes designadas como "Line out" (saída de linha), "Output" (saída), "Analogue output" (saída analógica)] a esta entrada.

4. PRE OUT

Ligações para um amplificador de potência externo.

5. ANTENA DE FM

É incluída uma antena de FM em cabo de fita, que deverá ser ligada ao terminal da ANTENA FM situado na parte traseira da unidade, com a ajuda do adaptador "balun" fornecido para o efeito. A antena de fita deverá ser instalada sobre uma superfície vertical e disposta de modo a formar um "T".

Experimente colocar a antena em vários locais de modo a determinar a posição que permite obter a melhor recepção de sinal e o menor ruído de fundo.

Normalmente, um sinal FM inadequado conduz a níveis elevados de ruído, especialmente no caso de recepção estéreo, bem como a interferências provocadas por fontes eléctricas externas. A performance da secção do sintonizador poderá ser melhorada através da utilização de uma antena de FM instalada no exterior. Um técnico qualificado de montagem de antenas poderá aconselhá-lo e proceder à instalação da antena recomendada, tendo em conta as suas condições de recepção.

6. NAD-LINK IN, OUT (ENTRADA/SAÍDA NAD-LINK)

Os terminais NAD-Link são utilizados para transmitir comandos a partir do controlo remoto, de e para outras unidades dotadas com terminais NAD-Link. Isto permite o controlo centralizado de um sistema completo ou o controlo de um sistema a partir de mais do que uma divisão e a operação através de controlo remoto de unidades NAD que não podem ser individualmente comandadas à distância.

Para poder funcionar com outras unidades, ligue o terminal NAD-LINK OUT (saída NAD-LINK) do receptor L 40, ao terminal NAD-LINK IN (entrada NAD-LINK) da outra unidade. Os terminais NAD-LINK podem ser ligados em série, IN (entrada) para OUT (saída), por forma a que todo o sistema possa ser controlado a partir do controlo remoto de apenas uma unidade.

7. CABO DE ALIMENTAÇÃO CA

Ligue o cabo de alimentação CA a uma tomada eléctrica de CA adequada.

COMANDOS DO PAINEL DIANTEIRO

1. POWER (ALIMENTAÇÃO)

Pressione o botão POWER (alimentação) para LIGAR a unidade. O LED do controlo do volume e do visor acender-se-á.

Se premir novamente o botão POWER, DESLIGARÁ completamente a unidade. O receptor L 40 utiliza um sistema de reserva de memória para memorizar a informação relativa às estações de rádio pré-seleccionadas no sintonizador. Esta informação fica memorizada, mesmo que a unidade seja desligada

completamente ou caso se desligue a ficha de alimentação da tomada eléctrica.

CONTROLO REMOTO:

Botão de STAND-BY (verde):

Pressione este botão para passar a unidade do modo funcionamento para o modo Stand-by e vice versa: Pressione novamente este botão para colocar a unidade em funcionamento quando estiver em Stand-by.

NOTA:

O modo Stand-by é indicado através da luz âmbar situada logo acima do botão verde POWER no painel dianteiro (Nº 1).

Em modo Stand-by, o L 40 consome muito pouca energia. No entanto, recomenda-se que desligue totalmente a unidade caso esta só venha a ser utilizada alguns dias depois. Desligue completamente a unidade pressionando o botão POWER existente no painel dianteiro (Nº 1) e todas as luzes se apagarão.

2. AUSCULTADORES

Existe uma mini-tomada estéreo de 1/4" para auscultadores que permite ouvir através destes e que funciona com auscultadores convencionais de qualquer impedância. Ao inserir a ficha dos auscultadores nesta tomada, desligará automaticamente o som dos altifalantes. O controlo do volume, tonalidade e balanço mantêm-se em funcionamento quando se utilizam os auscultadores. Utilize um adaptador adequado para ligar os auscultadores com outro tipo de terminais que tenham uma ficha macho "estéreo individual" estéreo de 3.5mm.

NOTA:

Certifique-se que o controlo do volume se encontra regulado no mínimo (completamente rodado no sentido contrário ao dos ponteiros do relógio), antes de ligar os auscultadores.

A utilização dos auscultadores com um volume muito elevado poderá provocar lesões na sua audição.

3. GAVETA DO DISCO

Para colocar um disco, pressione o botão STOP/OPEN (PARAR/ABRIR) (Nº 5) para abrir a gaveta do disco. Coloque o CD dentro da grande reentrância circular na gaveta, com a superfície transparente de leitura virada para baixo. A etiqueta tem de ficar voltada para cima.

Pressione novamente o botão OPEN para fechar a gaveta, ou pressione o botão PLAY/PAUSE (LEITURA/PAUSA) para fechar a gaveta e iniciar a leitura do disco.

É possível efectuar a reprodução de discos CD-3 (CD "singles" com 3 polegadas) sem que seja necessária utilizar um adaptador. Coloque o disco na gaveta, centrado na reentrância circular mais pequena, com a respectiva etiqueta virada para cima.

NOTA:

Este leitor não foi concebido para alojar um "damping disc" colocado sobre um CD, nem dois CD um em cima do outro. Possibilita a leitura de CDs áudio, mas não permite a reprodução de discos identificados como CD-V, DVD, CD-I, CD-ROM, ou CD PHOTO.

4. VISOR (LCD)

O visor LCD exhibe toda a informação relativa à entrada seleccionada e ao estado do CD e do Sintonizador.

EM MODO CD:

NÚMERO DA FAIXA. Quando são fabricados e gravados, todos os discos são segmentados em faixas numeradas; geralmente, cada uma das faixas numeradas corresponde a uma música diferente, movimento sinfónico, etc..

Estes números de faixa são indicados na capa do CD e são codificados no disco pelo seu fabricante.

Normalmente, a secção alfanumérica do visor exhibe o tempo que já decorreu desde o início da faixa actual. Através da utilização do botão DISPLAY (EXIBIR) (Nº 14), poderá mudar a informação do visor para que exhiba o tempo de leitura que ainda resta até ao final do disco.

Durante a leitura do disco, luzirá uma seta virada para a direita ►, junto do canto esquerdo do visor. A exibição de duas barras verticais ■■ indica que o leitor de CD se encontra em pausa.

Em modo de paragem, o visor volta a exhibir o número de faixas e o tempo total de leitura do disco.

A palavra "**NO DISC**" será exibida no visor sempre que não houver nenhum disco no interior da gaveta ou quando colocar um disco que não possa ser lido (porque estar sujo ou ter sido colocado ao contrário).

A palavra "**REPEAT 1**" (**REPETIR 1 FAIXA**) luzirá no canto superior esquerdo do visor durante a repetição da leitura de uma única faixa.

A palavra "**REPEAT ALL**" (**REPETIR TODAS AS FAIXAS**) luzirá no visor durante a repetição da leitura de todo o CD ou de todas as faixas pré-programadas.

As funções "**REPEAT 1**" e "**REPEAT ALL**" podem ser activadas premindo o botão Nº 9.

A palavra "**TOTAL REMAIN**" (**TOTAL RESTANTE**) luzirá na área central do visor no caso de se ter premido o botão DISPLAY para visualizar o tempo que ainda resta até ao final do disco.

"**RANDOM**" (**ALEATÓRIO**). Quando o receptor L 40 se encontra a funcionar em modo de leitura aleatória, a palavra "RANDOM" é exibida no visor.

A palavra "**PROGRAM**" (**PROGRAMA**) luzirá quando o leitor de CD estiver a ser programado para tocar uma selecção específica de faixas (utilizando os botões STORE (MEMORIZAR) e CANCEL (CANCELAR); Nº 10 + 12). A palavra "PROGRAM" também luzirá durante a leitura pré-programada de um CD.

EM MODO TUNER (SINTONIZADOR):

A secção alfanumérica do visor exhibe normalmente o número da memória pré-seleccionada e o nome da estação de rádio, no caso de estar sintonizada uma estação RDS, ou o nome memorizado. Se não se tiver memorizado nenhum nome ou se se estiver a sintonizar uma estação de rádio sem RDS, será exibida a frequência de recepção em MegaHertz (MHz).

A palavra "**ANTENNA**" e as barras horizontais situadas imediatamente abaixo luzirão no visor para indicar a potência do sinal da estação de rádio sintonizada. Quanto mais barras estiverem acesas, mais forte será o sinal recebido.

A função **Centre Tune (sintonia ajustada)**, assinalada através de um ponto localizado imediatamente por cima do indicador "**TONE DEFEAT**" (**ELIMINAR TONALIDADE**), luzirá quando o sintonizador se encontrar sintonizado exactamente na frequência central da estação de rádio. O indicador "Centre Tune" também luzirá sempre que a unidade receber um comando remoto.

A palavra "**RDS**" luzirá no canto superior direito do visor sempre que se sintonizar uma estação de rádio que transmita informação RDS.

GERAL:

A palavra "**BASS EQ**" luzirá no visor se a função BASS EQ tiver sido seleccionada (Nº 15).

A palavra "**TONE DEFEAT**" luzirá no visor se a função TONE DEFEAT tiver sido seleccionada (Nº 13).

RECEPTOR À DISTÂNCIA. Um sensor de infravermelhos localizado no lado esquerdo da janela do visor recebe os comandos transmitidos pelo controlo remoto. Terá de existir uma linha de mira desimpedida entre o controlo remoto e esta janela pois, caso a via se encontre obstruída, é possível que o controlo remoto não funcione. Quando a unidade recebe um comando do controlo remoto a sua recepção comando é indicada no visor através de um ponto luminoso que pisca.

5. STOP/OPEN (PARAGEM/ABRIR)

Premindo este botão uma vez, interrompe a leitura do CD, cancela qualquer ciclo de repetição de leitura e colocar novamente a agulha de leitura no início do disco. O visor volta a exibir o número de faixas e o tempo total de leitura do disco.

Prima novamente este botão para abrir a gaveta do disco e torne a pressioná-lo uma vez mais para fechar a gaveta.

Quando a gaveta se fecha, o leitor faz uma pesquisa ao "conteúdo" do disco e exibe o número de faixas e o tempo total de leitura do disco. Se premir o botão PLAY para fechar a gaveta, este visor apagar-se-á, dando-se imediatamente início à reprodução da Faixa 1.

NOTA:

A gaveta do disco abre-se e fecha-se por meio de um motor interno. Não feche a gaveta manualmente quando a unidade se encontrar desligada.

CONTROLO REMOTO:

No controlo remoto existe também um botão de STOP que executa praticamente as mesmas funções que o botão situado no painel dianteiro do receptor L 40 mas, no entanto, não permite abrir ou fechar a gaveta do disco.

6. PLAY/PAUSE (LEITURA/PAUSA)

Prima o botão PLAY/PAUSE para iniciar a leitura de um CD, o modo PLAY é indicado por meio de uma seta virada para a direita ► exibida no visor.

Prima o botão PLAY/PAUSE novamente para interromper temporariamente a leitura (o leitor de CD encontra-se agora em modo "Pause", identificado pelas duas barras verticais ■■ exibidas no visor).

Para retomar a reprodução do disco no ponto exacto em que foi interrompida, carregue de novo em PLAY/PAUSE. Se não pretender retomar a leitura no mesmo ponto, poderá utilizar os comandos SKIP/PRESET (IGNORAR/PRÉ-SELECÇÃO) ou SEARCH/TUNE (PESQUISAR/SINTONIA) para deslocar a agulha de leitura para um ponto de partida da reprodução diferente antes de premir novamente o botão PLAY.

No controlo remoto existe igualmente um botão de PLAY/PAUSE. Este botão executa os mesmos comandos que o botão do painel dianteiro da unidade.

7. SKIP/PRESET (IGNORAR/PRÉ-SELECÇÃO)

Na verdade, o comando SKIP/PRESET opera dois

botões existentes em ambos os lados do comando, indicados por pequenos pontos em relevo. Para operar este comando prima qualquer dos pontos em relevo; o da esquerda para SKIP BACK (SALTAR PARA TRÁS) ◀◀ e o da direita para SKIP FORWARD (SALTAR PARA A FRENTE) ▶▶ .

EM MODO CD:

SKIP BACK (SALTAR PARA TRÁS) ◀◀

O botão SKIP ◀◀ faz com que o laser salte para trás até ao início de cada uma das faixas numeradas do disco. Com o primeiro toque a agulha de leitura salte para o início da faixa actual. Prima duas vezes em SKIP ◀◀ numa sucessão rápida de toques, para saltar para a faixa anterior. Se mantiver o botão premido continuamente, o leitor saltará repetidas vezes para as faixas anteriores até que o botão deixe de ser premido.

SKIP FORWARD (SALTAR PARA A FRENTE) ▶▶

Durante a leitura de um disco, se carregar em SKIP ▶▶ , o laser saltará para o início da faixa seguinte e retomará o início da reprodução a partir deste ponto. Assim, para ouvir um pouco de cada uma das músicas de um disco, carregue em PLAY e depois em SKIP ▶▶ , após ter ouvido cada uma das faixas durante alguns segundos. Se mantiver o botão premido continuamente, o leitor saltará repetidas vezes para as faixas com um número mais elevado até que o botão deixe de ser premido.

EM MODO SINTONIZADOR:

PRESET (PRÉ-SELECÇÃO)

Prima o botão PRESET para cima ou para baixo para seleccionar uma das estações FM memorizadas. Cada vez que estes botões são premidos o painel do visor exibe o número e a frequência memorizados, ou o nome da estação, caso se trate de uma estação de rádio RDS.

O controlo remoto tem também os botões SKIP/PRESET. Estes botões executam os mesmos comandos que os botões do painel dianteiro da unidade.

8. INPUT SELECTOR (SELECTOR DE ENTRADA)

Na verdade, o comando INPUT SELECTOR opera dois botões existentes em ambos os lados do comando, indicados por pequenos pontos em relevo. Para operar este comando prima qualquer dos pontos em relevo.

Se premir o lado direito do comando, fará com que o L 40 liste as suas entradas de acordo com a seguinte sequência: CD > Aux > Tape (Deck de cassetes) > Tuner (Sintonizador) > CD.

Se premir o lado esquerdo do comando, fará com que o L 40 liste as suas entradas na ordem inversa: CD > Tuner > Tape > Aux > CD.

Prima repetidamente qualquer dos botões até que a fonte pretendida seja exibida no visor.

REMOTE CONTROL (CONTROLO REMOTO):

O controlo remoto possui botões individuais para cada uma das entradas. Prima o botão correspondente para obter a entrada desejada.

9. REPEAT (REPETIR)

Este botão permite iniciar um ciclo de repetição de leitura ininterrupta. Prima o botão REPEAT uma vez para seleccionar o modo REPEAT 1, apenas será repetida ininterruptamente a faixa actualmente a ser reproduzida.

Se voltar a premir uma segunda vez o botão REPEAT, selecciona o modo REPEAT ALL, no qual é efectuada a reprodução ininterrupta de todo o disco ou de uma selecção de faixas pré-programada, desde o início até ao fim. Carregue uma terceira vez no botão Repeat para cancelar o ciclo de repetição e regressar ao modo de funcionamento normal.

10. STORE (MEMORIZAR)

EM MODO CD:

O receptor L 40 CD permite-lhe pré-programar o leitor de CD para ignorar as faixas de um CD que não quer escutar (programação negativa). A programação do leitor de CD apenas poderá ser efectuada quando existe um CD na gaveta do disco e em modo Stop.

Para activar o modo Program (Programação), prima STORE. Utilize os botões SKIP/PRESET para seleccionar a faixa que não pretende escutar; o número da faixa fica a piscar no visor. Prima CANCEL (CANCELAR) (Nº 12) para confirmar a faixa que pretende apagar. O visor confirma este primeiro cancelamento de reprodução de uma faixa exibindo a indicação "P--01".

Selecione a próxima faixa que não pretende ouvir e volte a premir CANCEL; o visor exhibe agora a indicação "P--02". Repita este procedimento até que tenham sido seleccionadas todas as faixas que não pretende escutar.

Depois de ter seleccionado todas as faixas que não pretende reproduzir, prima o botão PLAY para iniciar a leitura das restantes faixas. Durante a reprodução de uma selecção de faixas pré-programadas, "PROGRAM" será exibido no visor.

NOTA:

Se premir no botão STOP/OPEN (Nº 5) irá apagar um programa e desactivar o modo Program. A mudança para uma fonte diferente (como o sintonizador, por exemplo) irá igualmente apagar qualquer programa e desactivar o modo Program.

EM MODO SINTONIZADOR:

O receptor L 40 CD permite-lhe guardar em memória até 30 estações de rádio (memórias).

Para memorizar uma estação, terá primeiro de sintonizar a estação de rádio desejada utilizando os botões de comando SEARCH/TUNE (Nº 17).

Prima o botão STORE (MEMORIZAR). O painel do visor exibirá o número da memória mais baixa disponível durante aproximadamente 6 segundos.

Durante este período de 6 segundos prima STORE novamente para memorizar a estação de rádio neste número da memória.

Caso pretenda utilizar um número de memória diferente, utilize os botões de comando SKIP/PRESET (Nº 7) para seleccionar o número desejado antes de premir novamente o botão Memorizar. Não se esqueça que apenas são exibidos os números de memória que se encontram vazios; caso pretenda utilizar um número de memória já utilizado, primeiro terá de limpar essa memória (Consulte a secção Nº12 sobre o botão CANCEL)

NOTA:

Para além da estação de rádio, o L 40 também memorizará se o modo Mono (Nº 16) se encontrava seleccionado. Esta situação é particularmente útil quando pretende escutar frequentemente uma estação de rádio com um sinal fraco. O procedimento a utilizar é semelhante ao anteriormente descrito, mas depois de se seleccionar o número de memória desejado deve seleccionar-se MONO (Nº16); A indicação "STEREO" desaparecerá do visor. Prima STORE.

NOTA:

O modo Store desactiva-se automaticamente se, decorridos aproximadamente 5 segundos, não se tiver premido quaisquer outros botões.

11. RANDOM (LEITURA ALEATÓRIA)

EM MODO CD:

Ao premir o botão RANDOM, o leitor iniciará a reprodução de todas as faixas do CD seguindo uma ordem aleatória. Se carregar em RANDOM a partir do modo Stop ou Play o L 40 iniciará a reprodução das faixas do CD numa ordem aleatória até que todas as faixas tenham sido reproduzidas.

Volte a premir no botão RANDOM para cancelar a leitura aleatória e para que o L 40 regresse ao modo normal de Leitura.

Enquanto o L 40 se encontrar em modo Aleatório, o visor exibirá a palavra "RANDOM".

O modo RANDOM poderá ser utilizado em conjunto com o modo REPEAT ALL. Após terminar um ciclo de leitura aleatória, o receptor L 40 continuará a reproduzir o outro ciclo de leitura aleatória.

NOTA:

O modo RANDOM não poderá ser utilizado em conjunto com o modo "Program Play" (Leitura Pré-programada) (consulte a secção Nº 10).

EM MODO SINTONIZADOR:

Muitas pessoas tem dificuldade em se lembrar a que estação de rádio corresponde uma determinada frequência. Para evitar esta confusão, poderá atribuir um nome a cada uma das estações memorizadas, com um máximo de 8 caracteres. Sempre que chamar essa memória será exibido o nome da estação em vez da frequência. Por exemplo, a frequência 91.30 corresponde à estação de rádio BBC Radio 3; neste caso a memória poderá ser programada para exibir "BBC R3" sempre que esta estação for seleccionada.

Existem duas formas de atribuir um nome a uma memória; atribuir o nome e simultaneamente guardar a estação em memória, ou atribuir o nome a uma memória já ocupada.

INTRODUZIR O NOME E MEMORIZAR UMA ESTAÇÃO

Sintonize a estação de rádio desejada utilizando os botões de comando SEARCH/TUNE (Nº 17). Prima o botão REPEAT e o visor ficará totalmente vazio, com excepção de uma linha a piscar. Dispõe então de um período pré-estabelecido de 10 segundos para introduzir o primeiro carácter desejado.

Seleccione o carácter desejado utilizando qualquer dos botões de comando SKIP/PRESET (Nº 7). Ao premir o botão de controlo SKIP/PRESET do lado direito irá listar todos os caracteres disponíveis por ordem numérica e alfabética: (espaço em branco) > 0 > 1 > 2 > 3 até 9 > A > B > C até Z > (espaço em branco) > 0 > 1 > 2 > e assim sucessivamente. Premindo o botão de comando SKIP/PRESET do lado esquerdo, irá listar todos os caracteres disponíveis na ordem inversa: Z > Y > X até A > 9 até 3 > 2 > 1 > 0 > (espaço em branco) > Z > Y > X > e assim sucessivamente.

Utilize o botão de comando SEARCH/TUNE (Nº 17) do lado direito para deslocar o cursor para a próxima posição à direita, para introduzir o segundo carácter e repita os procedimentos de selecção de caracteres acima descritos.

Introduza todos os outros caracteres com a ajuda dos botões de comando SKIP/PRESET e SEARCH/TUNE, como descrito anteriormente.

Assim que todos os caracteres tenham sido correctamente introduzidos, prima STORE (Nº 10).

Volte a premir STORE para atribuir um número de memória à estação (consulte a secção 10).

INTRODUZIR O NOME DE UMA ESTAÇÃO JÁ MEMORIZADA

Chame a estação memorizada à qual pretende atribuir um nome. Prima o botão REPEAT e o visor ficará totalmente vazio, com excepção de uma linha a piscar. Dispõe então de um período pré-estabelecido de 10 segundos para introduzir o primeiro carácter desejado.

Seleccione o carácter desejado utilizando qualquer dos botões de comando SKIP/PRESET (Nº 7). Ao premir o botão de controlo SKIP/PRESET do lado

direito irá listar todos os caracteres disponíveis por ordem numérica e alfabética: (espaço em branco) > 0 > 1 > 2 > 3 até 9 > A > B > C até Z > (espaço em branco) > 0 > 1 > 2 > e assim sucessivamente. Premindo o botão de comando SKIP/PRESET do lado esquerdo, irá listar todos os caracteres disponíveis na ordem inversa: Z > Y > X até A > 9 até 3 > 2 > 1 > 0 > (espaço em branco) > Z > Y > X > e assim sucessivamente.

Utilize o botão de comando SEARCH/TUNE (Nº 17) do lado direito para deslocar o cursor para a próxima posição situada à direita para introduzir o segundo carácter e repita os procedimentos de selecção de caracteres acima descritos.

Introduza todos os outros caracteres com a ajuda dos botões de comando SKIP/PRESET e SEARCH/TUNE, tal como se descreveu anteriormente.

Assim que todos os caracteres tenham sido correctamente introduzidos, prima STORE (Nº 10). A estação memorizada encontra-se agora denominada.

NOTA:

É sempre possível efectuar a alteração de um nome. Utilize os mesmos procedimentos acima descritos com a designação "Introduzir o nome de uma Estação já Memorizada". Assim que premir REPEAT, em vez de surgir uma linha em branco, o primeiro carácter começará a piscar no visor; poderá simplesmente reescrevê-lo se seleccionar um novo carácter.

NOTA:

Não é possível atribuir um novo nome a uma estação de rádio RDS; o nome transmitido (PS) será memorizado e exibido automaticamente.

12. CANCEL (CANCELAR)**EM MODO CD:**

O botão CANCEL funciona em conjunto com o botão STORE (Nº 10) e permite apagar as faixas que não pretende escutar.

Consulte a secção STORE (Nº 10) para saber como programar e activar o modo Program Play.

EM MODO SINTONIZADOR:

Para apagar uma determinada estação memorizada, seleccione a memória e prima CANCEL; o número da estação memorizada começará a piscar. Dispõe de um período pré-estabelecido de 6 segundos para premir CANCEL de novo. Para confirmar que este número de memória se encontra agora vazio, o visor exibirá a mensagem: "PRESET CLEAR" (MEMÓRIA VAZIA).

13. TONE DEFEAT

O botão TONE DEFEAT permite-lhe não utilizar a secção de controlo da tonalidade do receptor L 40. Se tiver por hábito deixar os comandos da tonalidade na posição das 12 horas, é recomendável que desligue totalmente a secção de controlo da tonalidade premindo o botão TONE DEFEAT. "TONE

DEFEAT” aparecerá no visor, indicando que a função TONE DEFEAT se encontra activada. Ao “ignorar” o controlo electrónico da tonalidade, consegue-se garantir uma qualidade de som ligeiramente superior e uma resposta de frequência sem oscilações.

14. DISPLAY (VISOR)

EM MODO CD:

O botão DISPLAY possui os três modos abaixo descritos:

TIME (TEMPO): O tempo decorrido, em minutos e segundos, desde o início da faixa actual. (Esta é a configuração “por defeito”, seleccionada automaticamente assim que o leitor é ligado.)

REMAIN (REstante): O tempo total de leitura que ainda resta até ao final do disco e o número total de faixas ainda por reproduzir (incluindo a faixa actual), ou o número de faixas e tempo que ainda resta durante o modo Leitura pré-programada.

TOTAL: O número total de faixas e o tempo total de reprodução do disco.

EM MODO SINTONIZADOR:

Quando se sintoniza uma estação de rádio RDS, o botão DISPLAY permite listar um dos três modos:

Por defeito, quando está sintonizada uma estação de rádio RDS, é exibido o respectivo nome (RDS PS).

Prima uma vez o botão DISPLAY para exibir qualquer Texto de Rádio (RDS RT). A informação do texto de rádio poderá ser o nome do programa ou do locutor, o nome da música que está a tocar, etc.. O texto desfila continuamente ao longo do visor. No caso da estação não transmitir qualquer Texto de Rádio, o visor indicará esta situação, exibindo a palavra “NO TEXT” (NÃO EXISTE TEXTO).

Prima novamente o botão para exibir a frequência da estação sintonizada e a potência do sinal.

Prima o botão uma vez mais para que o visor regresse à situação inicial, com o nome da estação de rádio (RDS PS).

Se premir o botão DISPLAY quando sintoniza uma estação sem RDS, o visor exibirá a mensagem “NO RDS” (SEM RDS) durante cerca de 5 segundos, antes de exibir novamente a informação normal.

15. BASS EQ

Normalmente, os altifalantes pequenos possuem

uma menor capacidade de produzir sons com graves ricos e profundos, devido às suas limitações físicas. A função BASS EQ permite compensar este problema acústico, prolongando consideravelmente a resposta útil dos altifalantes. É claro que não se encontram frequências muito baixas em todas as músicas ou gravações, pelo que o efeito do sistema BASS EQ nem sempre será óbvio. No caso de músicas que contenham uma grande quantidade de informação de graves profundos, este efeito demonstrará uma melhoria espantosa e óbvia.

Prima o botão BASS EQ para activar a função; a palavra “BASS EQ” luzirá no visor.

Prima o botão BASS EQ novamente para desactivar a função.

NOTA:

O circuito BASS EQ também incorpora um filtro infra-sónico que ignora a resposta abaixo dos 25Hz, para evitar a amplificação inadequada de sinais não musicais abaixo da amplitude áudio. No caso de músicas que possuam graves extremamente profundos, existe a possibilidade de se submeter quer o amplificador do receptor L 40, quer os altifalantes a esforços nocivos. Esta situação é detectável através do aparecimento de distorção; numa situação como esta, desactive a função BASS EQ e/ou baixe o nível do volume até que o som deixe de estar distorcido.

16. MONO

Caso esteja a receber um sinal FM estéreo forte, o seu receptor NAD L 40 mudará automaticamente para a operação FM Estéreo, que é assinalada através do indicador STEREO (ESTÉREO) exibido no visor, e o sintonizador não fará qualquer ruído quando se sintonizar entre as estações.

No entanto, os sinais estéreo fracos poderão apresentar um nível elevado de ruídos de fundo. A comutação para modo Mono, premindo para o efeito o botão MONO, irá eliminar a grande maioria ou a totalidade deste ruído de fundo. Prima o botão MONO de novo para regressar ao modo de operação FM Estéreo automático.

É possível adicionar o modo MONO a uma estação memorizada. Desta forma, se escutar frequentemente uma estação que possua um sinal fraco, não necessita de seleccionar manualmente o modo MONO sempre que a quiser ouvir. Consulte a secção STORE (Nº 10) para obter mais informação a este respeito.

NOTA:

O modo MONO apenas funciona na secção sintonizador do receptor L 40. Com as entradas CD, Deck de Cassetes ou Aux seleccionadas, o botão MONO não funciona.

17. SEARCH/TUNE (PESQUISA/SINTONIZAR) EM MODO CD:**SEARCH BACK (PESQUISA PARA TRÁS) ◀◀**

O botão SEARCH ◀◀ leva a agulha de leitura óptica do leitor de CD a pesquisar para trás ao longo da gravação, a alta velocidade. Este botão só funciona enquanto o leitor se encontrar em PLAY ou PAUSE. Depois de premir o botão STOP, ou após colocar um disco novo na gaveta do leitor, é necessário carregar novamente em PLAY para que o circuito de pesquisa comece a funcionar.

Se a pesquisa for iniciada enquanto o leitor estiver em PAUSE, será efectuada de forma silenciosa e será cerca de 15 a 20 vezes mais rápida que a velocidade de leitura normal. Se a pesquisa tiver início enquanto o leitor se encontrar em PLAY, a música será ouvida de um modo fragmentado à medida que o leitor for pesquisando o disco. Utilize esta "pesquisa audível" para fazer o leitor avançar precisamente até ao ponto onde deseja retomar a reprodução do disco.

Se, durante a leitura da Faixa 1, pesquisar para trás até ao início do disco o leitor voltará automaticamente para o modo de reprodução normal.

SEARCH FORWARD (PESQUISA PARA A FRENTE) ▶▶

O botão SEARCH ▶▶ leva a agulha de leitura óptica a pesquisar rapidamente para a frente ao longo da música. O comportamento desta função é muito semelhante ao da função SEARCH ◀◀.

Se, enquanto se reproduz a última faixa, pesquisar para a frente até ao fim do disco a pesquisa será interrompida não tendo qualquer efeito e o visor exibirá o conteúdo do disco. (O modo "wrap-around" é inexistente.)

EM MODO SINTONIZADOR:

O receptor L 40 permite sintonizar uma estação de rádio de duas formas, manualmente ou através de pesquisa automática. Para efectuar a pesquisa automática: Prima qualquer dos botões ◀◀ ou ▶▶ no comando SEARCH/TUNE durante cerca de 1 segundo e liberte-o para sintonizar para baixo ou para cima a banda de frequência. O sintonizador irá pesquisar automaticamente para baixo ou para cima a banda FM para descobrir a primeira estação que está a ser recebida com um sinal razoavelmente forte. Assim que tiver descoberto um sinal razoavelmente forte, a pesquisa será interrompida e sintonizar-se-á melhor a estação de rádio. O indicador Sintonia ajustada (um ponto individual no visor) luzirá no visor quando a estação estiver correctamente sintonizada.

Para sintonizar manualmente uma estação de rádio:

Prima qualquer dos botões ◀◀ ou ▶▶ no comando SEARCH/TUNE para sintonizar a banda de frequência para baixo ou para cima, respectivamente. O sintonizador irá começar a pesquisar automaticamente para baixo ou para cima a banda FM. Uma vez na proximidade da frequência desejada, prima ligeiramente o botão do outro lado do comando SEARCH/TUNE para interromper a pesquisa.

Cada uma das vezes que se prime ligeiramente qualquer dos botões ◀◀ ou ▶▶ do comando SEARCH/TUNE, o sintonizador avança um pequeno passo de sintonia equivalente a 0.025MHz.

O indicador de Sintonia Ajustada (um ponto individual no visor) luzirá para indicar que a estação de rádio foi correctamente sintonizada.

NOTA:

Por vezes uma estação de rádio é tão fraca que o seu nível de sinal fica abaixo do nível limite de abafamento (os circuitos de abafamento eliminam o ruído que normalmente se ouve entre estações de rádio), de modo que não se consegue ouvir a estação de rádio, mesmo se se tiver sintonizado a frequência exacta. Nestes casos, prima o botão MONO (Nº 16) para desligar o circuito de abafamento.

18. COMANDOS BASS (GRAVES) E TREBLE (AGUDOS)

Os comandos da tonalidade BASS e TREBLE permitem ajustar o balanço de tonalidade do seu sistema.

A posição das 12 horas é uma posição neutra sem qualquer amplificação ou supressão e existe uma lingueta a indicar esta posição. Rode o botão de comando no sentido dos ponteiros do relógio ou no sentido contrário, respectivamente para aumentar ou para diminuir a quantidade de Baixos ou Agudos.

Os comandos da Tonalidade não afectam as gravações feitas a partir das saídas do deck de cassetes, mas irão afectar o sinal que vai para a saída do pré-amplificador (Pre Out).

NOTA:

Certifique-se que a função TONE DEFEAT (Nº 13) não se encontra activada, caso contrário os comandos da tonalidade não funcionam (a palavra "TONE DEFEAT" luzirá no visor).

19. BALANCE (BALANÇO)

O comando BALANCE permite ajustar os níveis relativos dos altifalantes esquerdo e direito. A posição das 12 horas proporciona um nível igual para os canais esquerdo e direito. Existe uma lingueta que indica esta posição.

Se rodar o botão de comando no sentido dos ponteiros do relógio desloca o balanço para o lado direito. Se rodar o botão de comando no sentido contrário ao dos ponteiros do relógio, desloca o balanço para o lado esquerdo.

O comando BALANCE não afecta as gravações feitas a partir das saídas do deck de cassetes, mas irá afectar o sinal que vai para a saída do pré-amplificador (Pre Out).

20. VOLUME

O comando VOLUME permite ajustar a sonoridade global dos sinais que são transmitidos aos altifalantes.

No aparelho de controlo remoto existem dois botões para regular o volume. Prima o botão UP (subir) para aumentar o nível do volume; prima o botão DOWN (baixar) para reduzir o nível do volume. Quando utilizar qualquer dos botões de comando do volume DOWN ou UP existentes no aparelho de controlo remoto, o visor indicará "VOL DOWN" (BAIXAR VOLUME) ou "VOL UP" (SUBIR VOLUME) respectivamente. Simultaneamente, o botão de regulação do volume motorizado situado no painel dianteiro deslocar-se-á para cima e para baixo.

NOTA:

O comando do volume não afecta as gravações feitas a partir das saídas do deck de cassetes, mas irá afectar o sinal que vai para a saída do pré-amplificador (Pre Out).

APARELHO DE CONTROLO REMOTO INSTALAÇÃO E SUBSTITUIÇÃO DAS PILHAS

O controlo remoto só funciona com duas pilhas de 1,5-volts e tamanho AAA (i.e., UM-4 ou IEC RO3). Recomenda-se a utilização de pilhas alcalinas para obter uma duração máxima de funcionamento.

Para abrir o compartimento das pilhas, coloque a ponta do dedo na ranhura existente na parte detrás do controlo remoto e empurre a aresta amovível da tampa do compartimento das pilhas, levantando a tampa para cima. Coloque as pilhas novas, posicionando-as de acordo com o desenho gravado no interior do compartimento. As molas em espiral deverão ficar em contacto com a extremidade (-) de cada pilha. Volte a colocar a tampa do compartimento das pilhas trás e pressione-a suavemente até prender.

Em alguns casos, um mau funcionamento do controlo remoto poderá estar relacionado com corrosão ou gordura de dedadas nos contactos das pilhas. Retire as duas pilhas, limpe os contactos de metal das extremidades de cada pilha com um pano limpo ou uma borracha e coloque-as novamente, certificando-se de que estão correctamente posicionadas.

Botão STAND-BY (verde):

Prima este botão para passar a unidade do modo funcionamento para o modo Stand-by e vice versa: Prima-o novamente para colocar a unidade em funcionamento quando esta se encontrar em modo Stand-by.

NOTA:

A activação do modo Stand-by é indicada através da luz âmbar situada logo acima do botão verde POWER do painel dianteiro (Nº 1). Em modo Stand-by o receptor L 40 consome muito pouca energia. No entanto, recomenda-se que desligue totalmente a unidade caso esta só volte a ser utilizada alguns dias depois. Desligue completamente a unidade premindo o botão POWER existente no painel dianteiro (Nº 1) e todas as luzes se apagarão.

Botões VOLUME UP e DOWN (SUBIR/BAIXAR VOLUME):

No aparelho de controlo remoto existem dois botões que permitem regular o volume. Prima o botão UP para aumentar o nível do volume; prima o botão DOWN para reduzir o nível do volume. Quando utilizar qualquer dos botões de comando do volume DOWN ou UP existentes no aparelho de controlo remoto, o visor indicará "VOL DOWN" (BAIXAR VOLUME) ou "VOL UP" (SUBIR VOLUME) respectivamente. O botão de regulação do volume motorizado situado no painel dianteiro deslocar-se-á para cima e para baixo ao mesmo tempo.

Botão MUTE (ABAFAR):

Ao premir este botão, o nível global do volume reduzir-se-á significativamente (em cerca de 20dB). Este botão poderá ser bastante útil quando se desejar baixar rapidamente o nível de volume, por exemplo para atender uma chamada telefónica. Quando a unidade está "abafada", é exibida a palavra "MUTE" no visor, independentemente do modo em que o receptor se encontrar.

Prima o botão MUTE de novo para restabelecer o nível de volume original.

Botão STOP (PARAGEM):

Prima este botão para parar a reprodução de um CD ou para interromper uma "Leitura pré-programada". No painel dianteiro existe igualmente um botão STOP que permite executar praticamente as mesmas funções do botão do aparelho de controlo remoto, com a vantagem de também permitir abrir e fechar a gaveta do disco compacto.

Botões CD, TUNER, AUX e TAPE:

Ao contrário do painel dianteiro, o aparelho de controlo remoto possui botões separados para cada uma das entradas. Prima o botão correspondente à entrada desejada.

Os botões PLAY/PAUSE, SKIP/PRESET e DISPLAY funcionam exactamente da mesma forma que os existentes no painel dianteiro da unidade com o mesmo nome (Nº 6, 7 e 14 no desenho do painel dianteiro, respectivamente).

MANUTENÇÃO

Deve abrir a gaveta do disco e limpar o seu interior com um pano húmido, com uma certa regularidade, de modo a remover todo o pó acumulado.

MANUSEAMENTO DOS DISCOS COMPACTOS

Manuseie os Discos Compactos com cuidado. A reprodução de um disco não será prejudicada pela presença de pequenas partículas de pó, algumas dedadas leves, ou riscos ligeiros. No entanto, riscos de dimensões consideráveis ou uma espessa camada de dedadas gordurosas, poderão impedir que o leitor reproduza o disco. (A propósito, apesar de o laser "ler" o disco através do seu lado transparente, a verdadeira superfície que contém os dados encontra-se directamente gravada por debaixo da etiqueta, protegida apenas por uma finíssima camada de verniz. Deste modo, um risco que corte a etiqueta poderá danificar mais o disco do que um risco semelhante na superfície transparente de "leitura". Assim, deverá manusear ambas as superfícies do disco com cuidado.)

Os riscos ou as dedadas com alguma gravidade, podem levar o leitor a perder a sequência em algumas faixas (saltar para a frente ou repetir a mesma passagem). Danos que não sejam tão graves podem produzir momentos muito breves de ruído de alta-frequência. Os circuitos de reprodução e correcção de erro deste receptor de CD NAD são invulgarmente sofisticados, proporcionando uma reprodução segura de discos com falhas, que noutros leitores não são possíveis de ler. Mesmo assim, os discos deverão ser manuseados e tratados com cuidado.

Para obter um melhor resultado, agarre no disco apenas pelas suas arestas. Outro método seguro de agarrar o disco é colocar um dedo na abertura existente no seu centro, colocando o polegar na aresta para agarrar firmemente no disco.

Os discos deverão ser mantidos na respectiva caixa de protecção quando não estiverem a ser utilizados. Para abrir a caixa de CD Philips de plástico, do tipo standard, agarre na parte de cima e na parte de baixo da caixa com os dedos e o polegar da mão esquerda; seguidamente, agarre as arestas do lado direito e do lado esquerdo da caixa com os dedos e o polegar da mão direita e puxe a abertura da caixa com a ajuda do polegar da mão direita.

Quando se encontra guardado dentro da caixa, o disco mantém-se na sua posição devido à existência de um espigão de expansão onde é encaixada a abertura central do disco. Para o retirar da caixa pressione o espigão para baixo com a ajuda de um dedo para libertar o disco e de seguida levante o disco agarrando-o pelas suas arestas entre os dedos e o polegar. Para voltar a colocá-lo na caixa basta alinhar a sua abertura central com o espigão e simplesmente premir o disco no espigão.

LIMPEZA DOS DISCOS

Os discos sujos devem ser limpos esfregando-os com um pano macio, seco ou humedecido com água. NÃO utilize os produtos de limpeza convencionais para discos de vinil (soluções de limpeza, sprays, panos tratados, ou preparações anti-estáticas), nem qualquer tipo de solventes químicos (álcool, benzina, etc.). Pode-se lavar um disco bastante sujo com um jacto de água quente, misturado com uma pequena quantidade de detergente de cozinha suave e, de seguida, secá-lo com uma toalha limpa e macia.

Ao limpar o disco, efectue apenas movimentos RADIAIS (do centro para as arestas). Nunca execute movimentos de limpeza circulares, como aqueles que efectua para limpar discos normais de vinil pois ao proceder deste modo corre o perigo de riscar o CD. Um risco radial é o que prejudicará menos porque só afectará uma pequena parte de cada faixa circular de dados, o que poderá ser totalmente compensado pelos circuitos de correcção de erro do leitor. Contudo, um risco circular, que siga o percurso de uma faixa de dados, pode danificar um segmento contínuo de dados tão longo que não pode não ser possível corrigi-lo.

SOBRE O LASER

O leitor de Discos Compactos utiliza um laser de díodo semiconductor de estado sólido, instalado num servomecanismo de leitura, para reproduzir o disco. O laser ilumina a faixa de sinais microscópicos que representam os bits de dados digitais, enquanto que díodos fotocondutores detectam a iluminação reflectida do disco e convertem-na num sinal electrónico que é então descodificado para recuperar a forma de onda musical em cada um dos canais estéreo.

Não é possível observar o laser em funcionamento pois este funciona num comprimento de onda de 7800 Angstroms, ou seja, a infravermelhos, sendo por isso invisível ao olho humano.

O leitor de Discos Compactos oferece todas as seguranças necessárias para que possa ser utilizado por crianças. O laser funciona a uma potência muito baixa e encontra-se oculto no interior do mecanismo do leitor. Mesmo quando o leitor de CD é desmontado, o laser permanece guardado no interior de um sistema óptico que leva a sua luz a focar apenas 1 milímetro a partir das lentes e, de seguida, a divergir rapidamente, reduzindo a sua intensidade para níveis ínfimos.

RESOLUÇÃO DE PROBLEMAS

SINTOMA	CAUSA POSSÍVEL	CORRECÇÃO
<ul style="list-style-type: none"> Não existe alimentação quando o botão POWER é ligado. 	<ul style="list-style-type: none"> A ficha de alimentação não está ligada ou está mal inserida na tomada eléctrica CA. A alimentação não está ligada. 	<ul style="list-style-type: none"> Insira a ficha de alimentação firmemente na tomada eléctrica CA.
<ul style="list-style-type: none"> A reprodução do disco não começa. 	<ul style="list-style-type: none"> O disco está colocado ao contrário. O disco encontra-se demasiado sujo. 	<ul style="list-style-type: none"> Volte a colocar o disco com a etiqueta voltada para CIMA. Limpe o disco.
<ul style="list-style-type: none"> Ausência de som. 	<ul style="list-style-type: none"> Ligações dos cabos de áudio incorrectas. Estação não seleccionada ou sinal fraco. 	<ul style="list-style-type: none"> Verifique as ligações entre as entradas e os altifalantes e o receptor L 40. Volte a sintonizar.
<ul style="list-style-type: none"> Ocorrência de um corte térmico. 	<ul style="list-style-type: none"> Desligue a unidade e reduza a regulação do volume. 	<ul style="list-style-type: none"> Volte a ligar a unidade depois desta ter arrefecido. Fusível interno fundido; consulte o seu agente autorizado.
<ul style="list-style-type: none"> Ausência de som num canal. 	<ul style="list-style-type: none"> Balço do Comando do Volume não está ajustado por igual. Fio de entrada desligado ou danificado. 	<ul style="list-style-type: none"> Restabeleça Comando de balanço para a posição central da lingueta. Verifique os fios e as ligações.
<ul style="list-style-type: none"> Perdas de som. 	<ul style="list-style-type: none"> O L 40 encontra-se sujeito a vibrações ou choques físicos de fontes externas. 	<ul style="list-style-type: none"> Mude o local de instalação da unidade.
<ul style="list-style-type: none"> Controlo remoto não funciona. 	<ul style="list-style-type: none"> As pilhas do controlo remoto estão gastas. Existe um objecto a obstruir o sensor remoto no leitor. 	<ul style="list-style-type: none"> Substitua as pilhas. Retire quaisquer objectos que se encontrem directamente em frente à janela do visor.
<ul style="list-style-type: none"> Ouve-se um zumbido. 	<ul style="list-style-type: none"> Ligações dos cabos soltas. 	<ul style="list-style-type: none"> Verifique as ligações dos cabos.
<ul style="list-style-type: none"> Graves fracos; imagem estéreo difusa. 	<ul style="list-style-type: none"> Altifalantes ligados ao amplificador de potência conectados fora de fase. 	<ul style="list-style-type: none"> Verifique as ligações "+" e "-" de ambos os altifalantes.
<ul style="list-style-type: none"> Recepção com ruídos e zumbidos. 	<ul style="list-style-type: none"> Sinal fraco. 	<ul style="list-style-type: none"> Verifique a sintonia da estação. Ajuste ou substitua a antena.
<ul style="list-style-type: none"> Recepção distorcida. 	<ul style="list-style-type: none"> Pistas múltiplas ou interferências de outra estação. 	<ul style="list-style-type: none"> Verifique a sintonia da estação. Ajuste ou substitua a antena.
<ul style="list-style-type: none"> Recepção com ruídos de silvos e zumbidos. 	<ul style="list-style-type: none"> Interferências provocadas por outros computadores ou jogos de consola. 	<ul style="list-style-type: none"> Verifique a sintonia da estação. Desligue ou afaste a fonte do ruído eléctrico.
<ul style="list-style-type: none"> Não encontra nenhuma estação em modo Search. 	<ul style="list-style-type: none"> Sinal da antena insuficiente. 	<ul style="list-style-type: none"> Verifique a ligação da antena. Ajuste a posição da antena de fita.

SPECIFICATIONS - NAD L 40

Power Amplifier Section

Continuous average output power into 8 ohms (Min. power per channel, 20Hz-20kHz, both channels driven, with no more than rated distortion)		20W (13dBW)
Rated distortion (THD 1kHz)		0.05%
Clipping power (maximum continuous power per channel)		25W
IHF dynamic headroom at 8 ohms		+3dB
IHF dynamic power	8 ohms:	40W (16dBW)
(maximum short term power per channel)	4 ohms:	60W (17.8dBW)
	2 ohms:	80W (19dBW)
Damping factor (ref. 8 ohms 50Hz)		>100
THD + SMPTE + IHF I.M. (from 250mV to rated output)		<0.05%
Frequency response	20Hz-20kHz	+/-0.3dB -3dB at 10Hz/70kHz

Line Level Inputs (Tape, Aux)

Input impedance (R and C)		80k ohms + 220pF
Input sensitivity (for rated output into 8 ohms)		210mV
Frequency response, 20Hz-20kHz		+/-0.5dB

Controls

Bass		+/- 8dB at 100Hz
Treble		+/- 7dB at 10kHz
Bass EQ		+7dB at 35Hz

FM Tuner Section

Input sensitivity; Mono,(-30dB THD+N)		11.3dBf (1.0uV)
	Mono, 50dB S/N	15dBf (1.5uV)
	Stereo, 50dB S/N	37dBf (20uV)
	Stereo, 60dB S/N	47dBf (60uV)
Capture ratio (45 to 65dBf)		<1.6dB
Selectivity		58dB
Image rejection		>80dB
I.F. rejection		60dB
Subcarrier suppression (19 and 38kHz)		55 dB
THD at 100% modulation;	Mono, 1kHz	<0.15%
	100Hz-6kHz	<0.25%
	Stereo, 1kHz	<0.2%
	100Hz-6kHz	<0.3%
Signal/Noise ratio (at 65dBf, IHF weight);	Mono	>70dB
	Stereo	>62dB
Frequency response;	30Hz-15kHz	+/-1dB
Stereo separation	@ 1kHz	>35dB
	30Hz-10kHz	>30dB

CD Player Section

Decoding		Delta Sigma
Digital filter		8 times oversampled
Analog filter		2 pole active
Frequency response; 20Hz-20kHz		+/-0.5dB
De-Emphasis error		+/-0.3dB

THD (at 0dB, 1kHz)		0.009%
Intermodulation distortion (19+20kHz)		<-100dB
Dynamic range		96dB
Linearity		+/-0.5dB to 80dB
Signal/Noise ratio A-Weight;	de-emphasis off	96dB
	de-emphasis on	96dB
Channel separation;	1kHz	>80dB
	10kHz	>72dB
Wow and flutter		Unmeasurable (Quartz Crystal Accuracy)
Digital error correction		CIRC with double error correction in C1&C2
Remote control unit		Yes

Physical Specifications

Dimensions in mm (Width x Height x Dept)	435 x95 x 285
Net Weight	6.4kg
Shipping Weight	8.0kg

NAD ELECTRONICS
(NEW ACOUSTIC DIMENSION)

LONDON

© 1998. L 40 I.M. PRINTED IN THE PEOPLE'S REPUBLIC OF CHINA.

P/N: 4301-3857-1