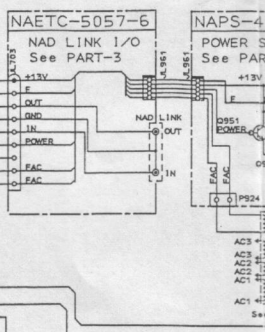
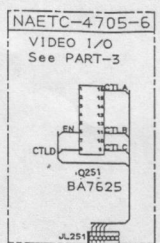
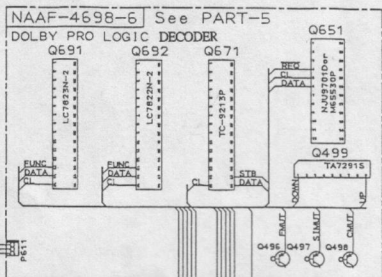
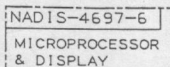
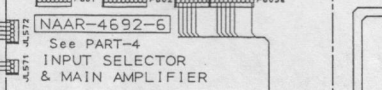
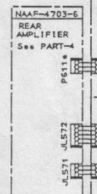


A B C D
SCHEMATIC DIAGRAM (PART-1)
CONNECTION DIAGRAM OF MICROPROCESSOR

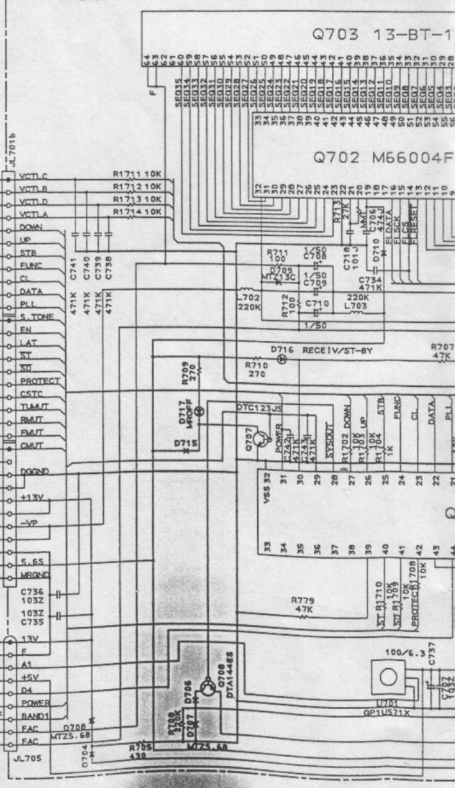
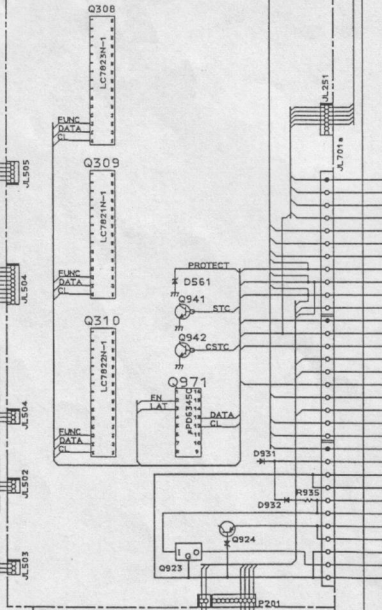
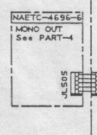
1



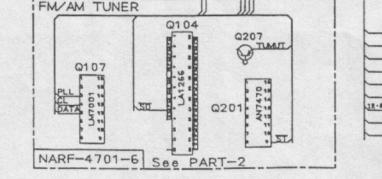
2

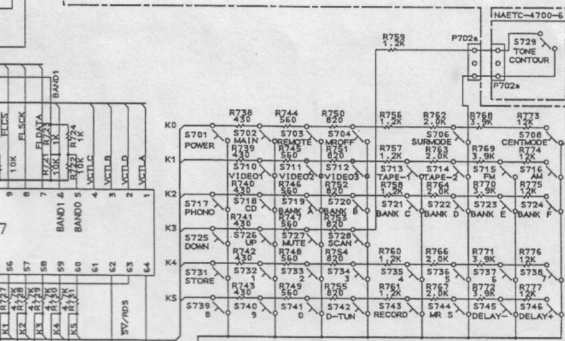
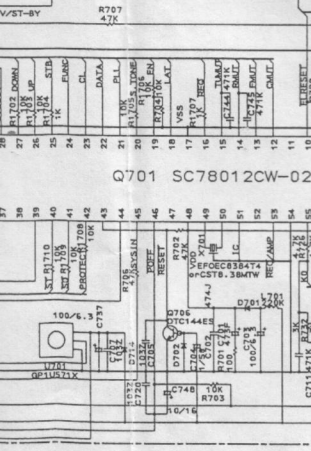
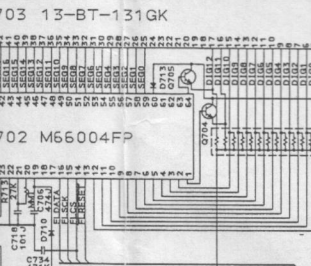
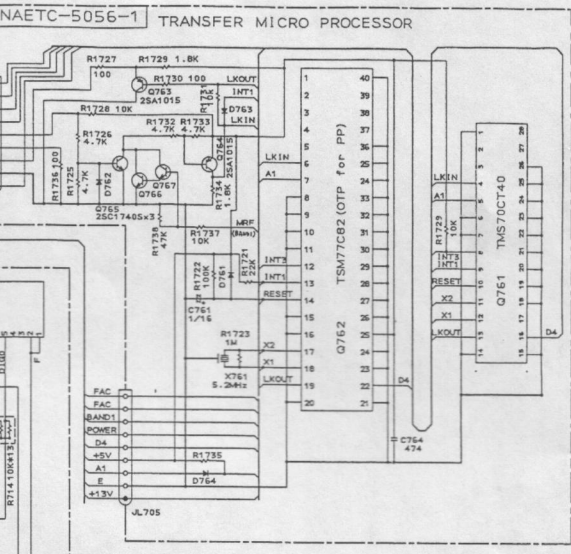
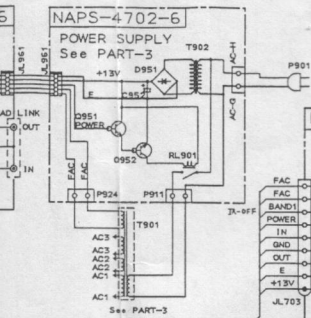


3



5





- NOTES**
- THE COMPONENTS IDENTIFIED BY MARK **▲** ARE CRITICAL FOR SAFETY.
 - REPLACE ONLY WITH PART NUMBER SPECIFIED.
 - VOLTAGE MEASURED WITH VOLTMETER IS DC VOLTAGE AND INPUT SIGNAL.
 - ALL PNP TRANSISTORS ARE EQUIVALENT TO 2SA1015-08 UNLESS OTHERWISE NOTED.
 - ALL NPN TRANSISTORS ARE EQUIVALENT TO 2SC1746-08 UNLESS OTHERWISE NOTED.
 - ALL DIODES ARE EQUIVALENT TO 1N5173 UNLESS OTHERWISE NOTED.
 - ELECTROLYTIC CAPACITORS IN LAMP IS 50V.
 - ALL CAPACITORS ARE 1% P/P/50V UNLESS OTHERWISE NOTED.
 - EXHAUSTIBLE SUPPLY 3300-0431, S, 333A-033.
 - DIMENSIONS ARE IN 0.004 INCHES UNLESS OTHERWISE NOTED.
 - THE THICK LINES IN PG SCHEM ARE THE PRINTING SIDE OF THE PARTS.
 - DESIGN IS SUBJECT TO CHANGE FOR IMPROVEMENT.

A

B

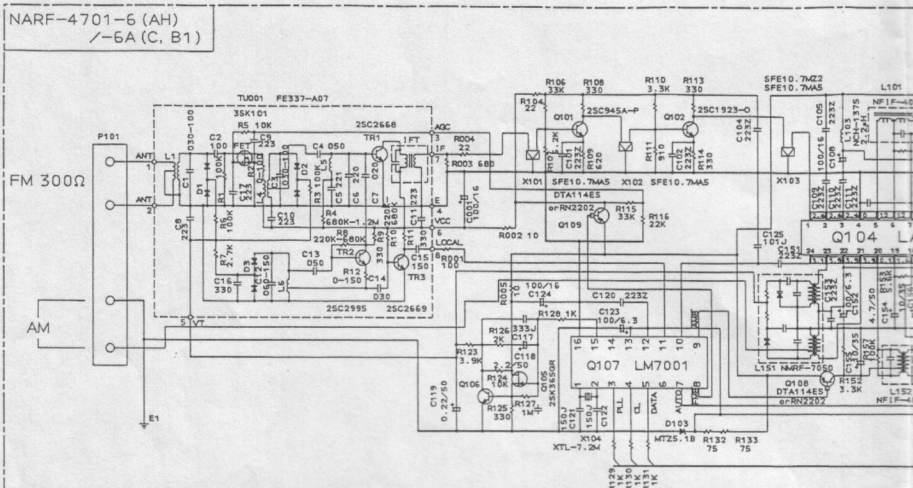
C

D

SCHEMATIC DIAGRAM (PART-2)

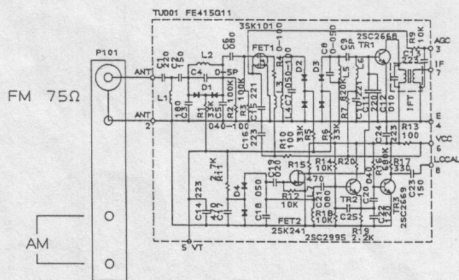
TUNER SECTION

1



2

3



4

	AH	C, B1
Q101		
X102		
L104		
R106-109	No parts	○
R201		
R226		
C101		
C115		
R203	○	No parts
R111	910Ω	560Ω
TU001	FE337-A07	FE415-G11
X103	SFE10.7MA	SFE10.7M2

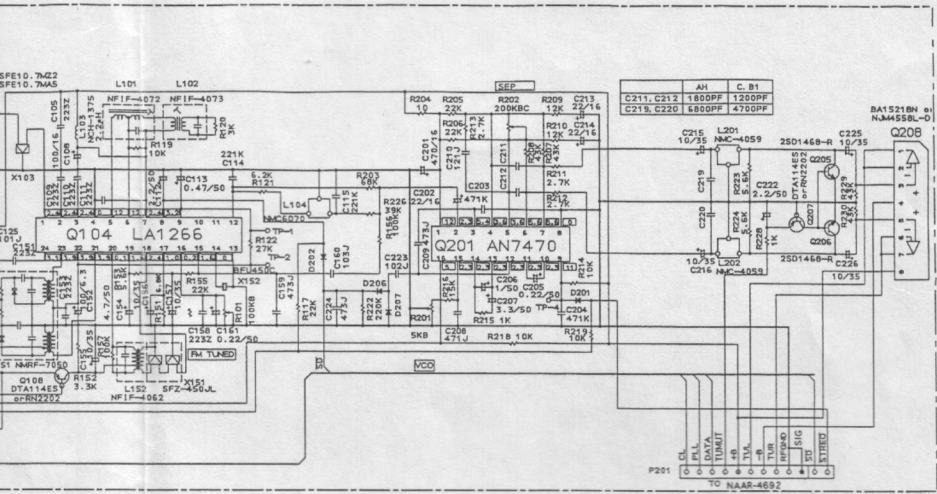
5

D

E

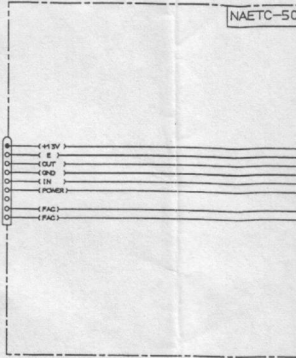
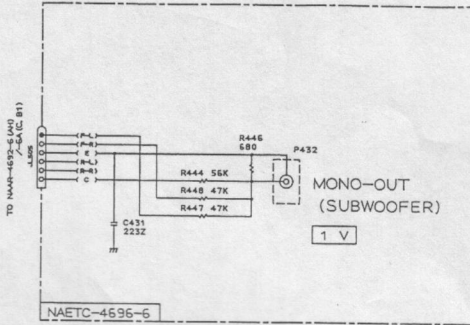
F

G

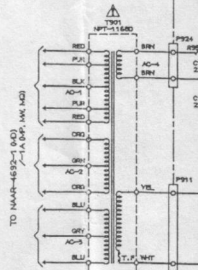
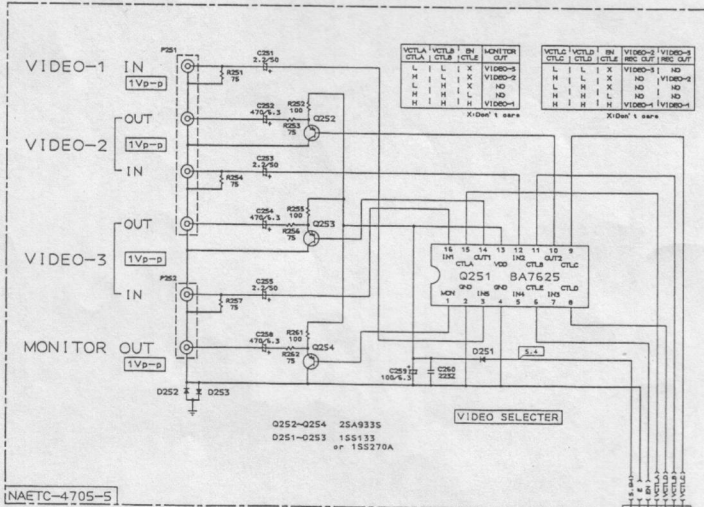


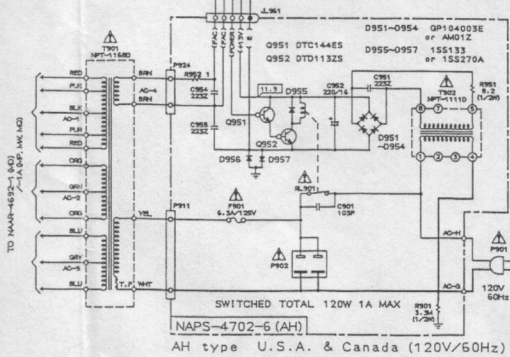
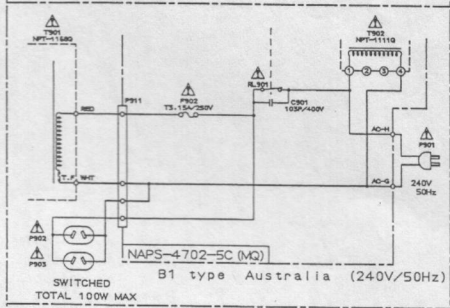
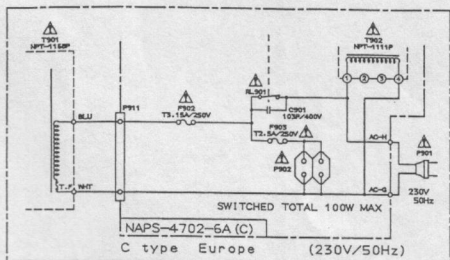
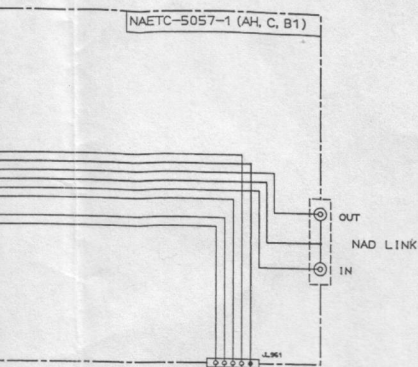
SCHEMATIC DIAGRAM (PART-3)

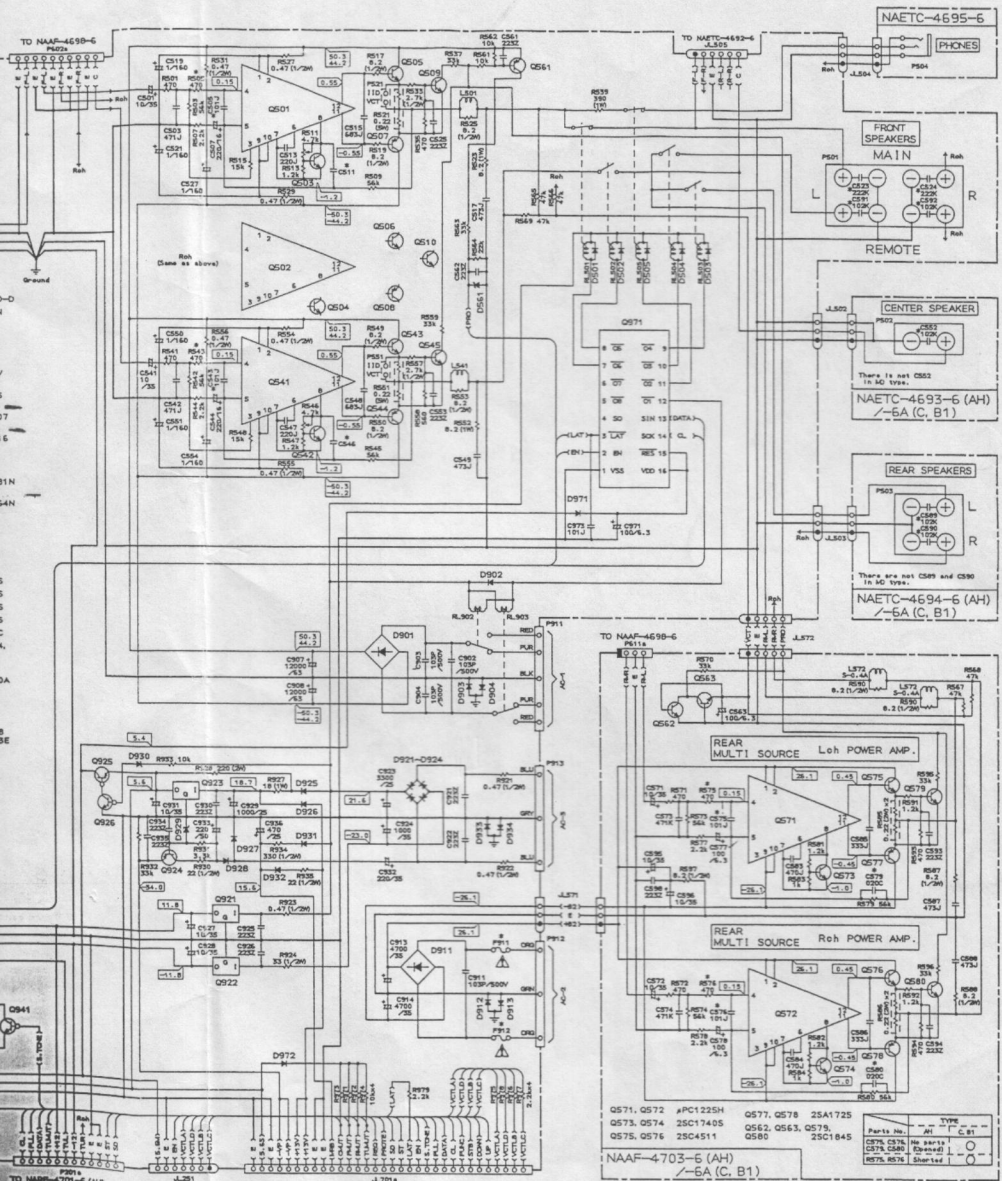
POWER SUPPLY AND VIDEO SECTION



AH type : 120V/60Hz Area
 C type : 230V/50Hz Area
 B1 type : 240V/50Hz Area







Q571, Q572 4PC1225H Q577, Q578 25A1725
 Q573, Q574 25C17405 Q582, Q583, Q575, Q586 25C1645
 Q575, Q576 25C4511 Q588 25C1645

NAAP-4703-6 (AH)
 GA (C, B1)

