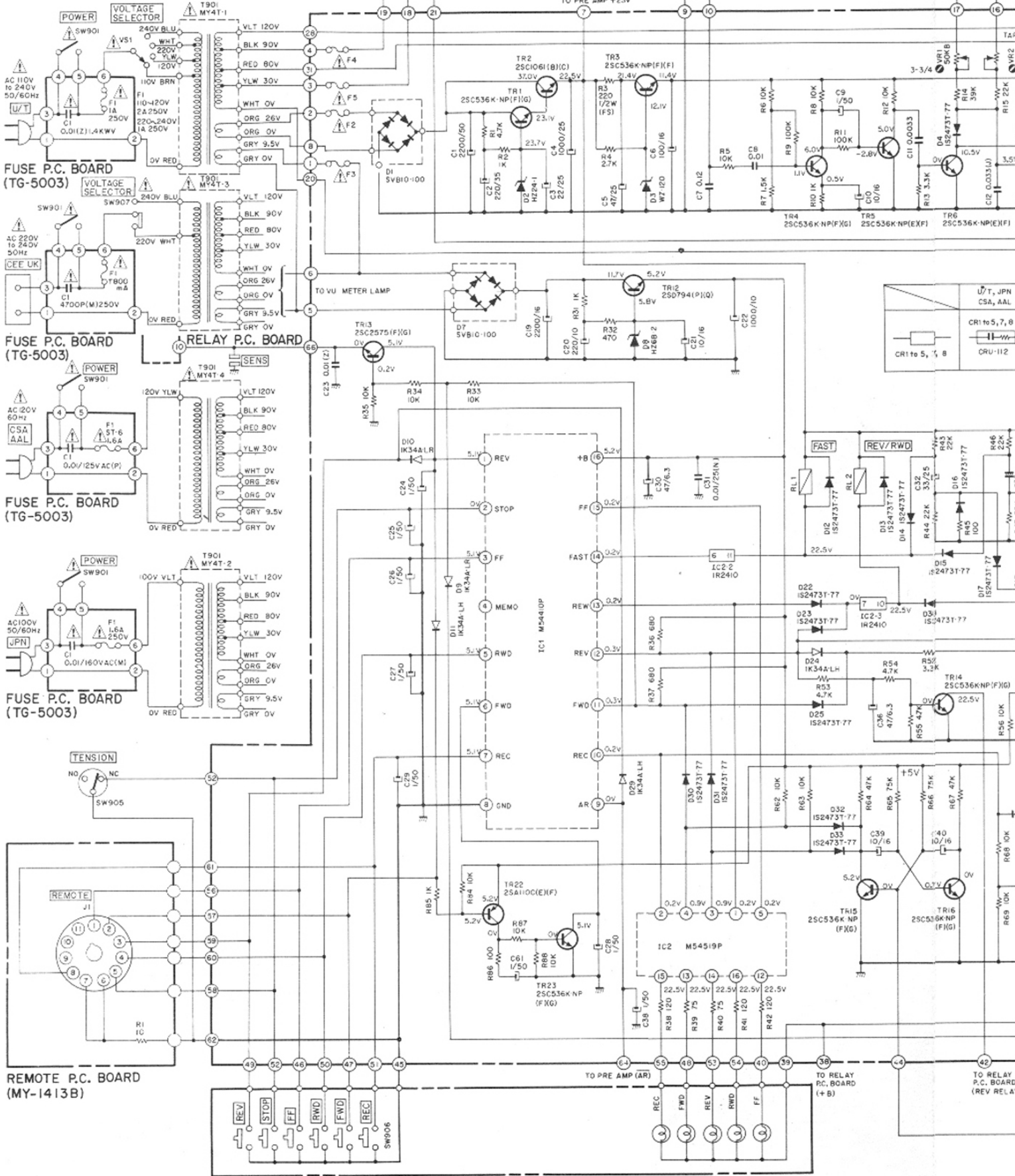


GX-255

	U/T, JPN	CSA, AAL	CEE, UK
F2	1A 250V	ST-6 1A	T 1A
F3	1A 250V	ST-6 1A	T 1A
F4	1A 250V	ST-6 1A	T630mA
F5	0.5A 250V	ST-6 0.5A	T500mA



FUSE P.C. BOARD (TG-5003)

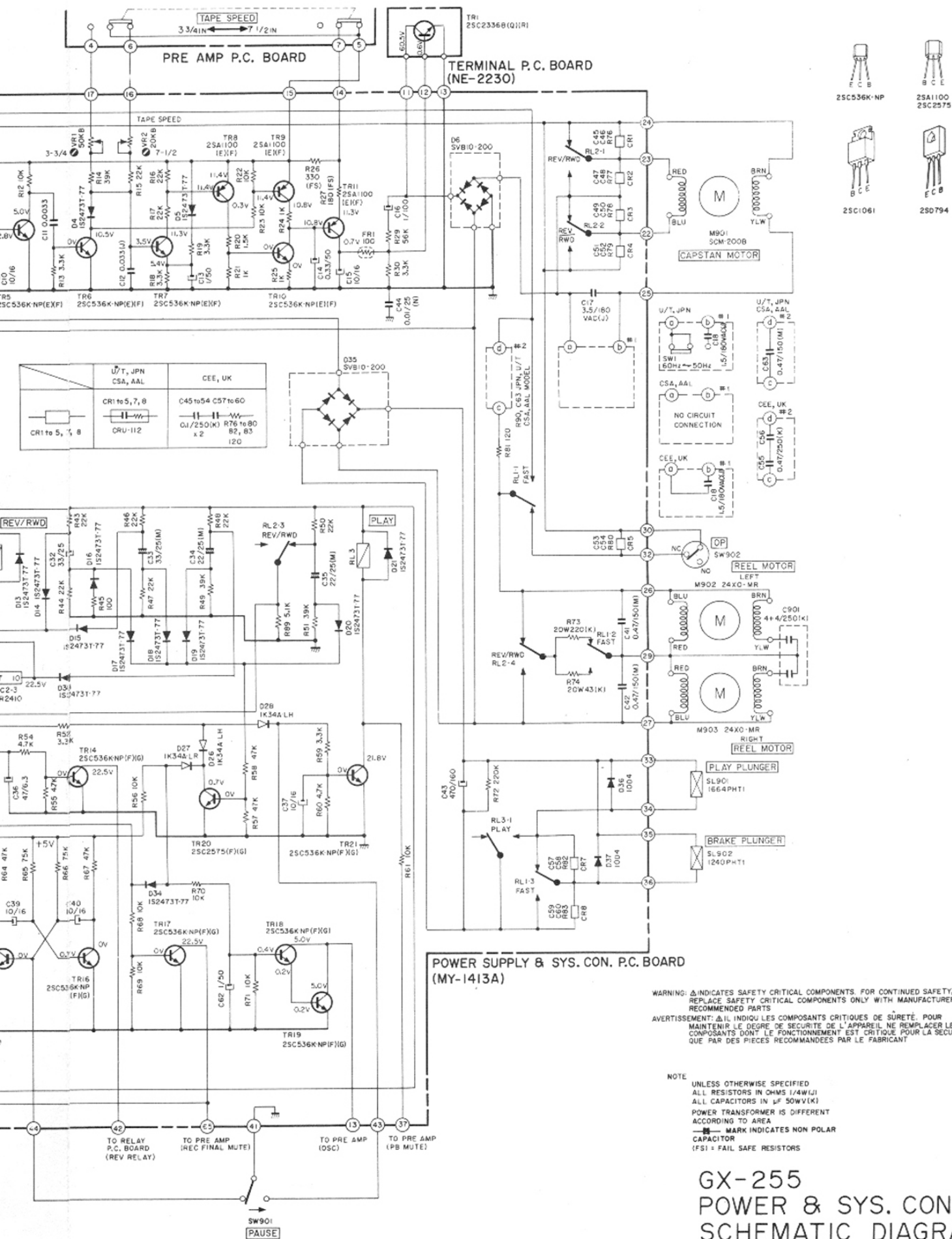
FUSE P.C. BOARD (TG-5003)

FUSE P.C. BOARD (TG-5003)

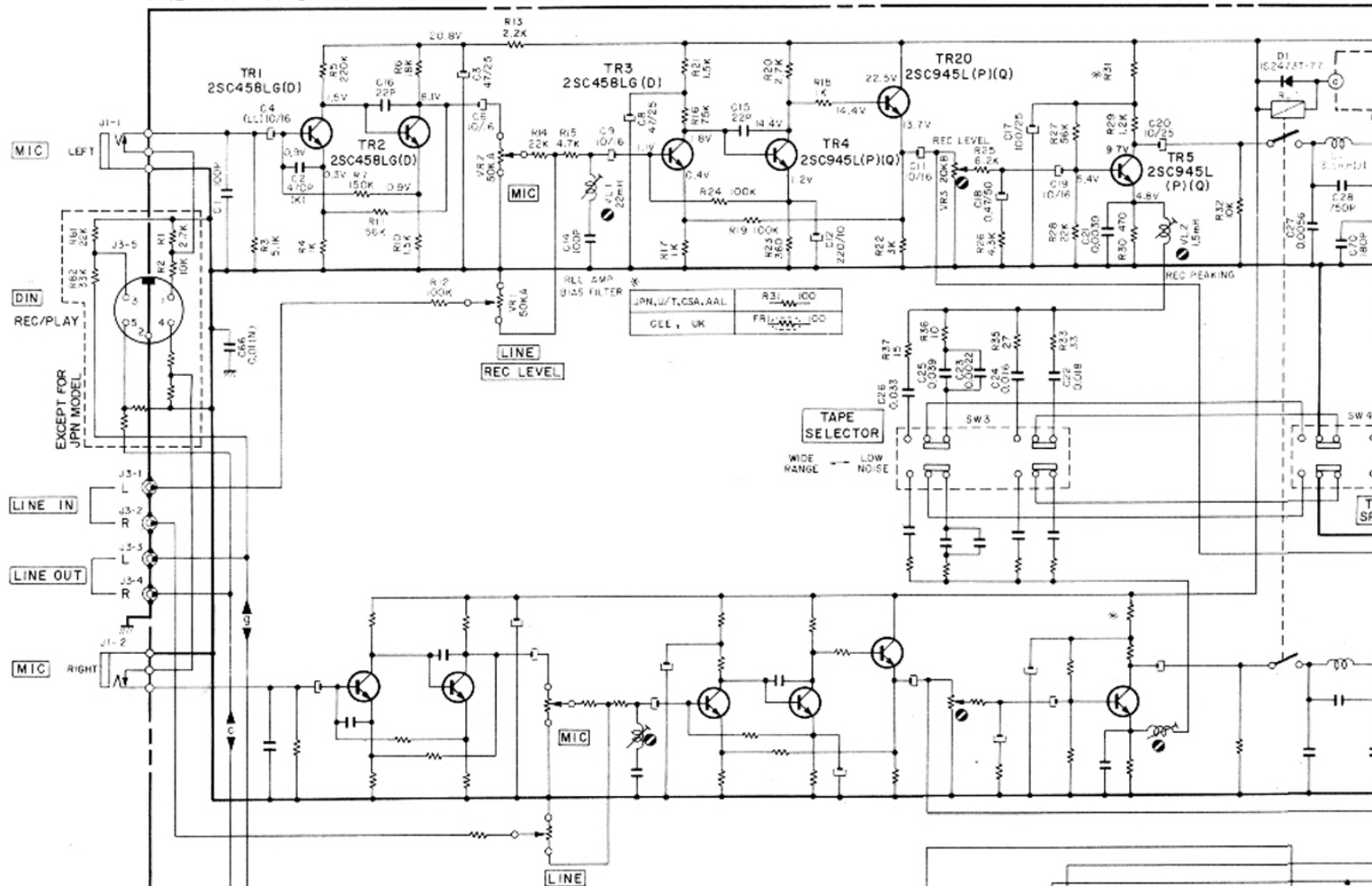
FUSE P.C. BOARD (TG-5003)

REMOTE P.C. BOARD (MY-1413B)

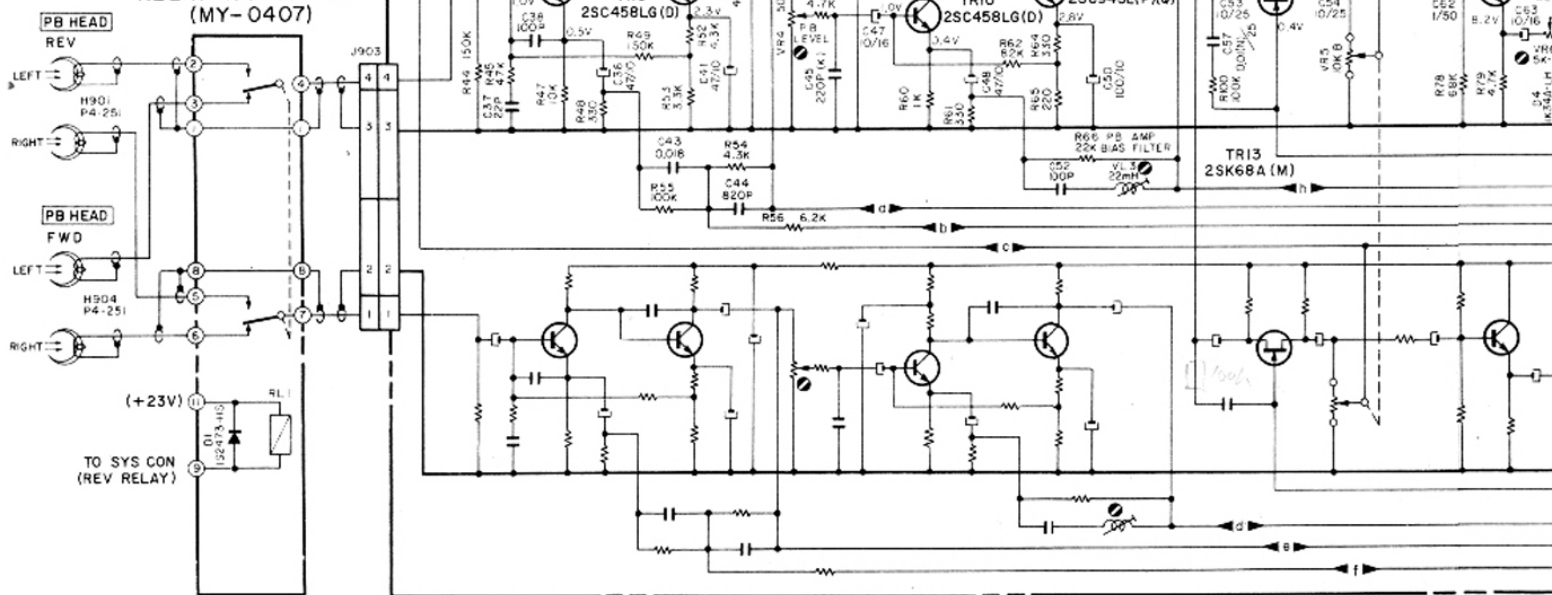
OPERATION BLK



PRE AMP P.C BOARD

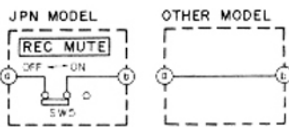


RELAY P.C BOARD (MY-0407)



NOTE

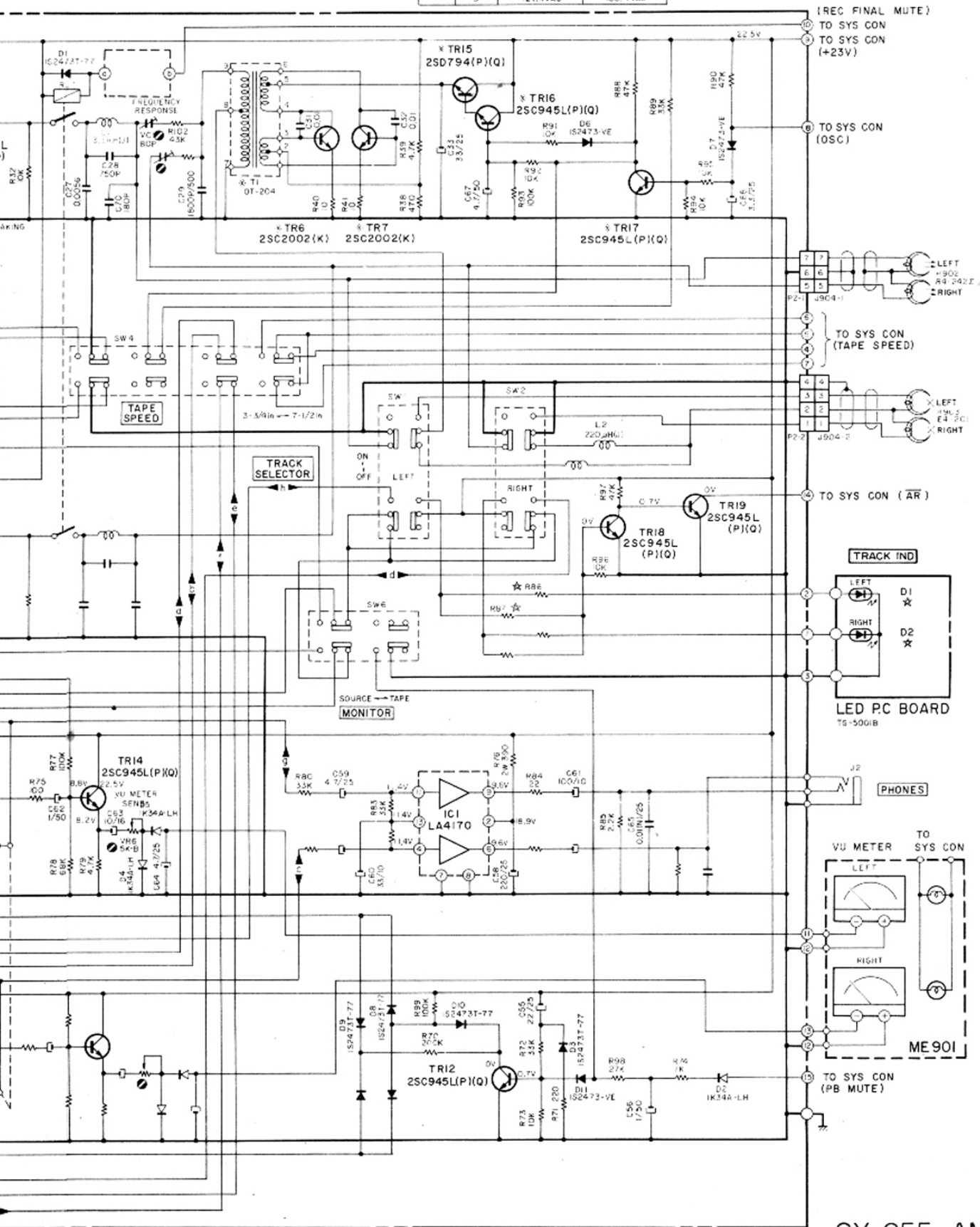
UNLESS OTHERWISE SPECIFIED
 ALL RESISTORS IN OHMS (1/4W 1%)
 ALL CAPACITORS IN μ F 50V (J)
 ILLI=LOW LEAKAGE CAPACITOR



* REC MODE

		7-1/2 in	5-1/4 in
* TR17	B	0.2V	0.2V
	C	19.1V	14.2V
	D	17.3V	14.2V
* TR16	E	16.8V	13.8V
	F	0.4V	0.4V
* TR6,7	1103	0.6V	0.6V
	4106	16.3V	3.2V
	B	74.3VAC	60.5VAC
	D	121.4VAC	100.4VAC

	R85	D1	D2
JPN	4.3K	GL-9PR2	GL-9PR2
U/T,CSA,CFE,NAL,UK	1.5K	GL-9PG2	GL-9PG2

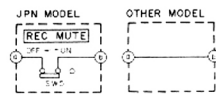


GX-255 AMP
SCHEMATIC DIAGRAM
NO.2-2 1582213 A

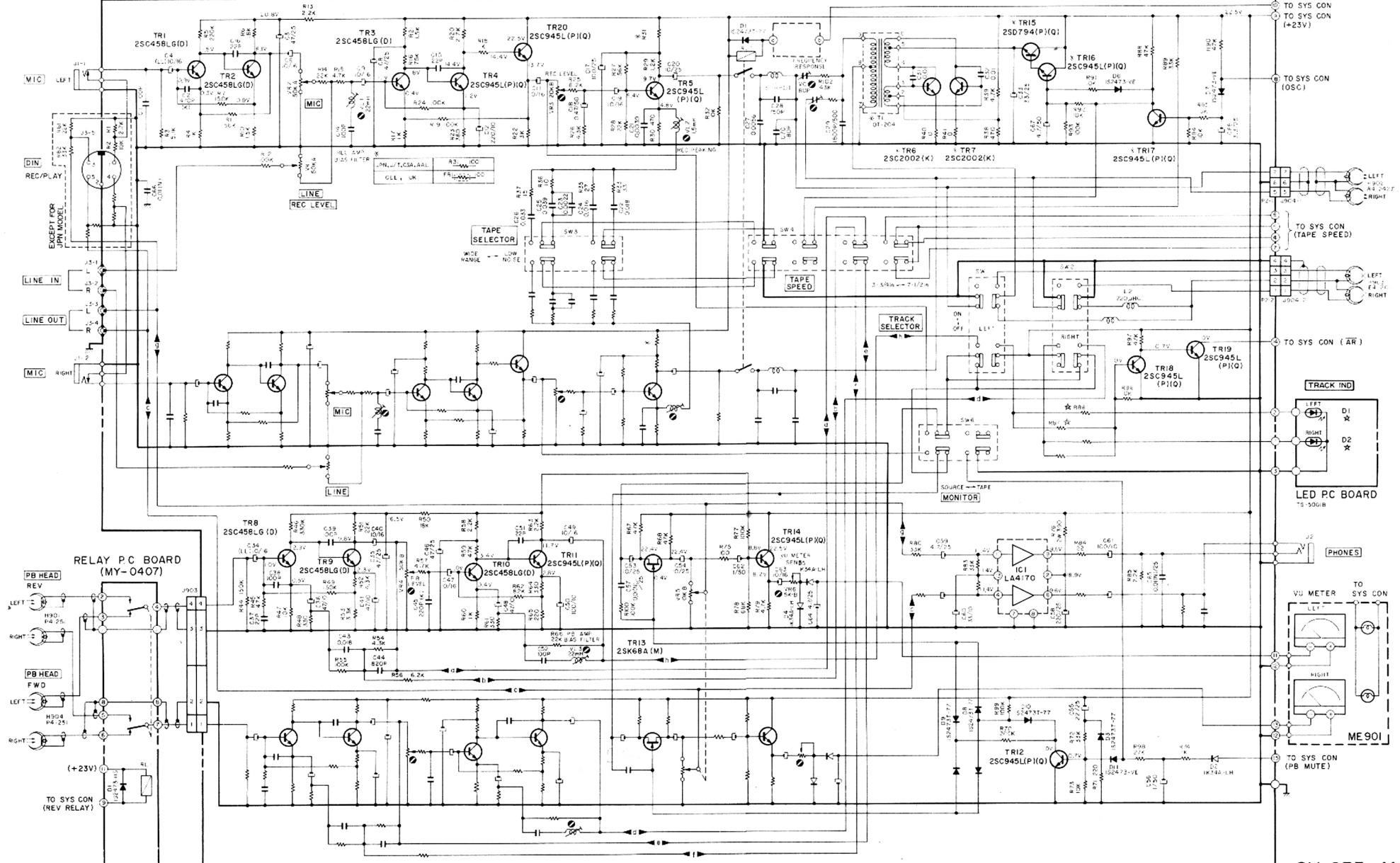
REC MODEL

TR17	B	7.72 V	3-244A
	D <td>0.2 V <td>0.2 V</td> </td>	0.2 V <td>0.2 V</td>	0.2 V
	E <td>1.9 V <td>1.9 V</td> </td>	1.9 V <td>1.9 V</td>	1.9 V
	F <td>7.2 V <td>14.2 V</td> </td>	7.2 V <td>14.2 V</td>	14.2 V
	G <td>16.8 V <td>3.8 V</td> </td>	16.8 V <td>3.8 V</td>	3.8 V
TR16	L <td>0.2 V <td>0.4 V</td> </td>	0.2 V <td>0.4 V</td>	0.4 V
	M <td>0.6 V <td>0.8 V</td> </td>	0.6 V <td>0.8 V</td>	0.8 V
	N <td>16.3 V <td>3.2 V</td> </td>	16.3 V <td>3.2 V</td>	3.2 V
	O <td>24.3 V</td> <td>80.5 VAC</td>	24.3 V	80.5 VAC
	P <td>11.4 VAC <td>100.4 VAC</td> </td>	11.4 VAC <td>100.4 VAC</td>	100.4 VAC

P66	3	22
JPN	4.3x	GL-98R2
117.5/250 (250) (250) (250)	28	GL-98R2



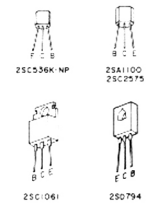
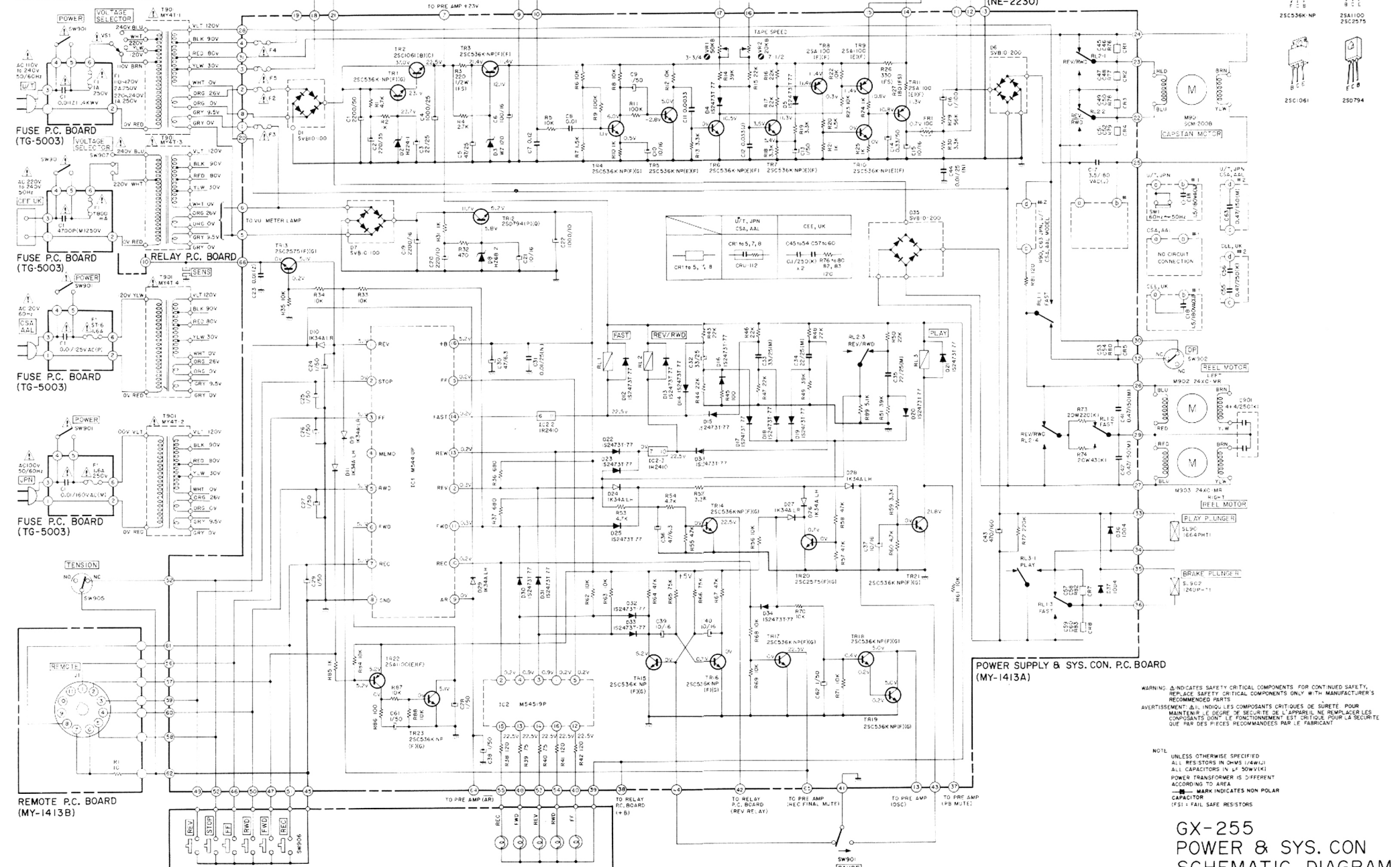
PRE AMP P.C BOARD



NOTE
 UNLESS OTHERWISE SPECIFIED
 ALL RESISTORS IN OHMS (R/W/1)
 ALL CAPACITORS IN μ F (50V 1.0)
 ILL: LOW LEAKAGE CAPACITOR

GX-255 AMP SCHEMATIC DIAGRAM
 No.2-2 1582213 A

U77, JPN	CSA, AAL	CEE, UK
F2	1A 250V	ST-6 1A 1A
F3	1A 250V	ST-6 1A 1A
F4	1A 250V	ST-6 1A 1A
F5	0.5A 250V	ST-6 0.5A 1500mA



FUSE P.C. BOARD (TG-5003)

FUSE P.C. BOARD (TG-5003)

FUSE P.C. BOARD (TG-5003)

FUSE P.C. BOARD (TG-5003)

REMOTE P.C. BOARD (MY-1413B)

OPERATION BLK

POWER SUPPLY & SYS. CON. P.C. BOARD (MY-1413A)

WARNING: ⚠ INDICATES SAFETY CRITICAL COMPONENTS FOR CONTINUED SAFETY. REPLACE SAFETY CRITICAL COMPONENTS ONLY WITH MANUFACTURER'S RECOMMENDED PARTS.

AVERTISSEMENT: ⚠ INDIQUE LES COMPOSANTS CRITIQUES DE SÛRETÉ POUR MAINTENIR LE DEGRÉ DE SÛRETÉ DE L'APPAREIL. NE REMPLACEZ LES COMPOSANTS QU'AVEC LE TYPE RECOMMANDÉ PAR LE FABRICANT.

NOTE: UNLESS OTHERWISE SPECIFIED ALL RESISTORS IN OHMS (R/W/L) ALL CAPACITORS IN μF (50WV/1K) POWER TRANSFORMER IS DIFFERENT ACCORDING TO AREA

⚡ MARK INDICATES NON POLAR CAPACITOR

(F5) I FAIL SAFE RESISTORS

GX-255
POWER & SYS. CON
SCHEMATIC DIAGRAM
NO. 2-1 I582212A