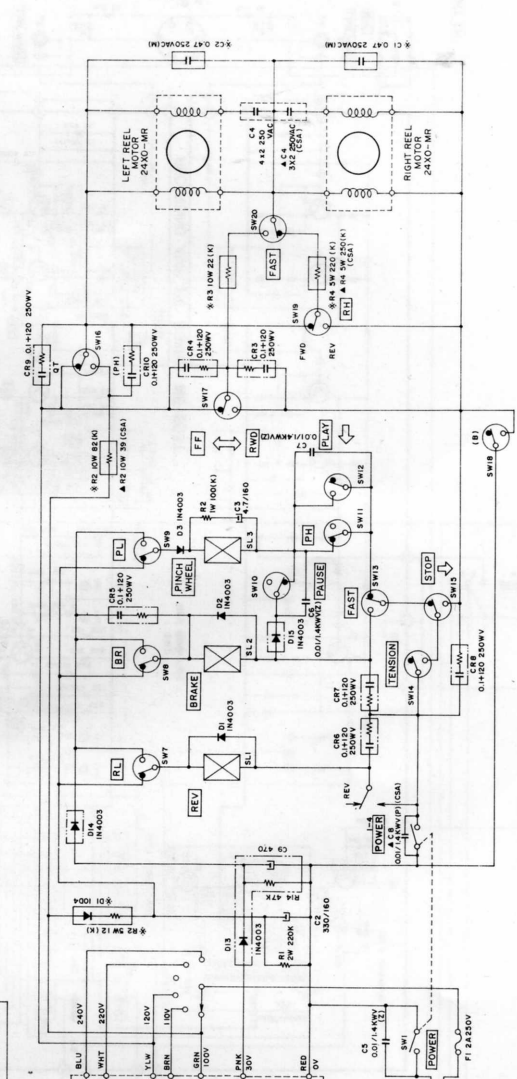
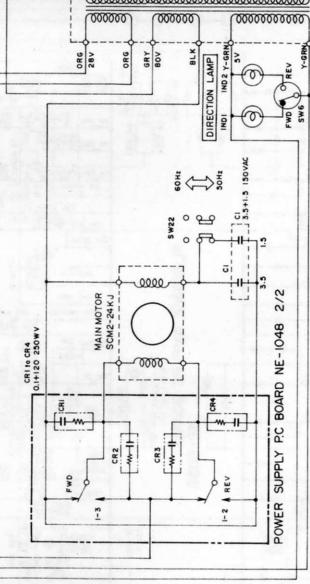
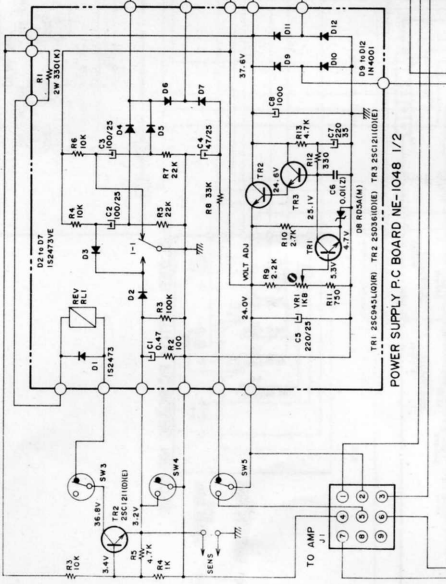
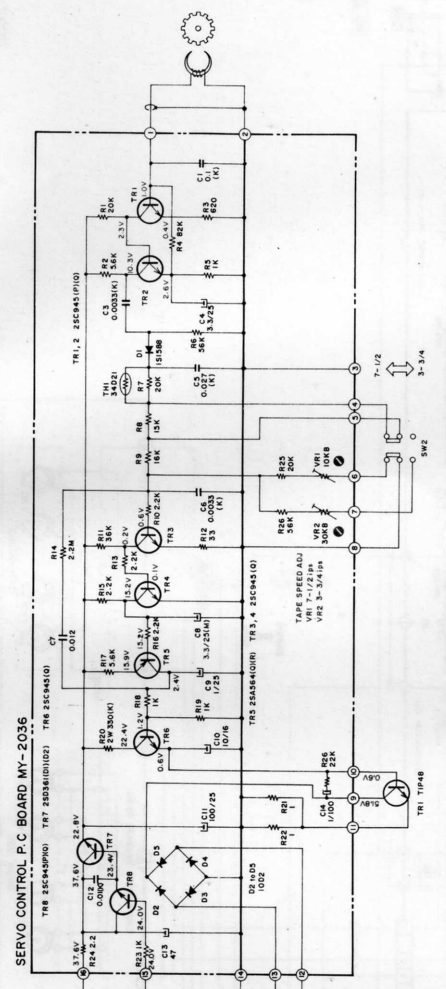


NOTE  
 1. UNLESS OTHERWISE SPECIFIED  
 ALL RESISTORS IN Ω, 100Ω, 1K, 10K, 100K, 1M, 10M, 100M, 1000M  
 2. L.L. INDICATES LOW LEAKAGE  
 3. CAPACITOR

**GX-2650  
 SCHEMATIC DIAGRAM  
 NO. 2-1 1501624A**

MAINTENANCE MANUAL  
 GX-2650  
 ACCESSORIES

SERVO CONTROL P.C. BOARD NY-2036



NOTE  
 1. UNLESS OTHERWISE SPECIFIED ALL CAPACITORS IN  $\mu$ F 50V(1)  
 2. MARKS INDICATES PARTS ARE P.C. BOARD NE-1048  
 3. POWER TRANSFORMER, T1, IS A  
 4. MARK INDICATES PARTS, CIA MODEL

GX-265D  
 SCHEMATIC DIAGRAM  
 NO.2-2 1501625A

