

SECTION 2

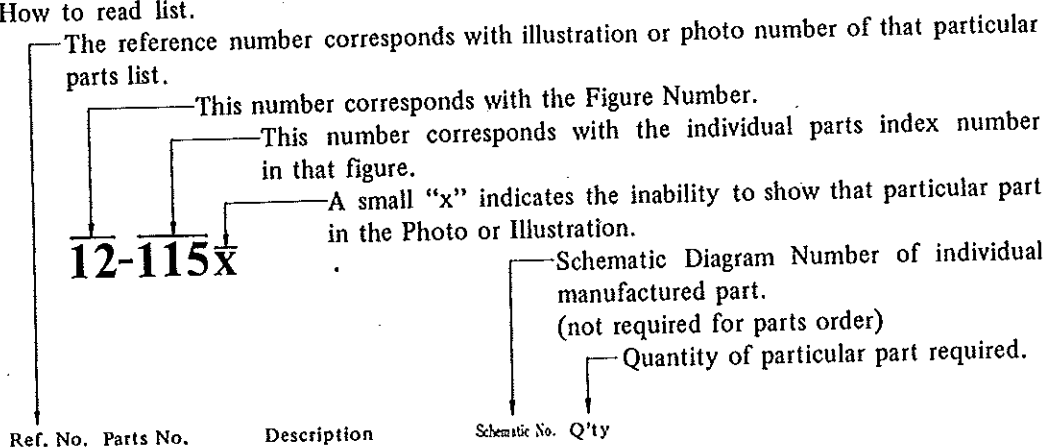
PARTS LIST

TABLE OF CONTENTS

FIG. 1	TD HEAD BLOCK	38
FIG. 2	MAIN MOTOR BLOCK	40
FIG. 3	REEL MOTOR/REEL TABLE BLOCK	41
FIG. 4	FLYWHEEL BLOCK	43
FIG. 5	IMPEDANCE ROLLER BLOCK	44
FIG. 6	TENSION ARM BLOCK	46
FIG. 7	LEVER SW. BLOCK	47
FIG. 8	OPERATION BLOCK	48
FIG. 9	POWER SUPPLY BLOCK	50
FIG. 10	MECHANISM ASSEMBLY BLOCK	53
FIG. 11	AMPLIFIER ASSEMBLY BLOCK	54
FIG. 12	P.B. P.C. BOARD (TD-5004) BLOCK	56
FIG. 13	REC. & OSC. P.C. BOARD (TD-5003) BLOCK	57
FIG. 14	DOLBY P.C. BOARD (TD-5301) BLOCK	58
FIG. 15	POWER SUPPLY P.C. BOARD (TD-2060) BLOCK	59
FIG. 16	SPEED CHANGE/SRT P.C. BLOCK	60
FIG. 17	SPEED CHANGE/SRT P.C. BLOCK (PRO)	61
FIG. 18	SPARK QUENCHER P.C. BOARD (A) (TD-2086) BLOCK	62
FIG. 19	FINAL ASSEMBLY BLOCK	63
INDEX		65

HOW TO USE THIS PARTS LIST

1. This parts list is compiled by various individual blocks based on assembly process.
2. When ordering parts, please describe parts number, serial number, and model number in detail.
3. How to read list.



Ref. No.	Parts No.	Description	Schematic No.	Q'ty
FLYWHEEL BLOCK #13				
12-115x	800425	Flywheel Block Assy. Comp.	RDG #13	1
12-116	244506	Flywheel Only	RD-233	1
12-117x	244754	Felt, Flywheel	RD-275	1
12-118	251324	Main Metal Case	RD-236	1
12-119	253080	Main Metal	RD-237	1

4. The symbol numbers shown on the P.C. Board list can be matched with the Composite Views of components of the Schematic Diagram or Service Manual.
5. The indications of Resistors and Capacitors in the photos of P.C. Board are being eliminated.
6. The shape of the parts and parts name, etc. can be confirmed by comparing them with the parts shown on the Electrical Parts Table of P.C. Board.
7. Both the kind of part and installation position can be determined by the Parts Number. To determine where a parts number is listed, utilize Parts Index at end of Parts List.
It is necessary first of all to find the Parts Number. This can be accomplished by using the Reference Number listed at right of parts number in the Parts Index. (meaning of ref. no. outlined in Item 3 above).
8. Utilize separate "Price List for Parts" to determine unit price. The most simple method of finding parts Price is to utilize the reference number.

ELECTRICAL PARTS TABLE

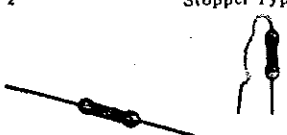



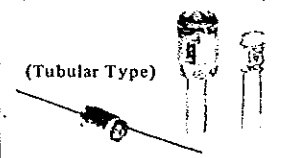

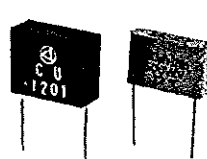
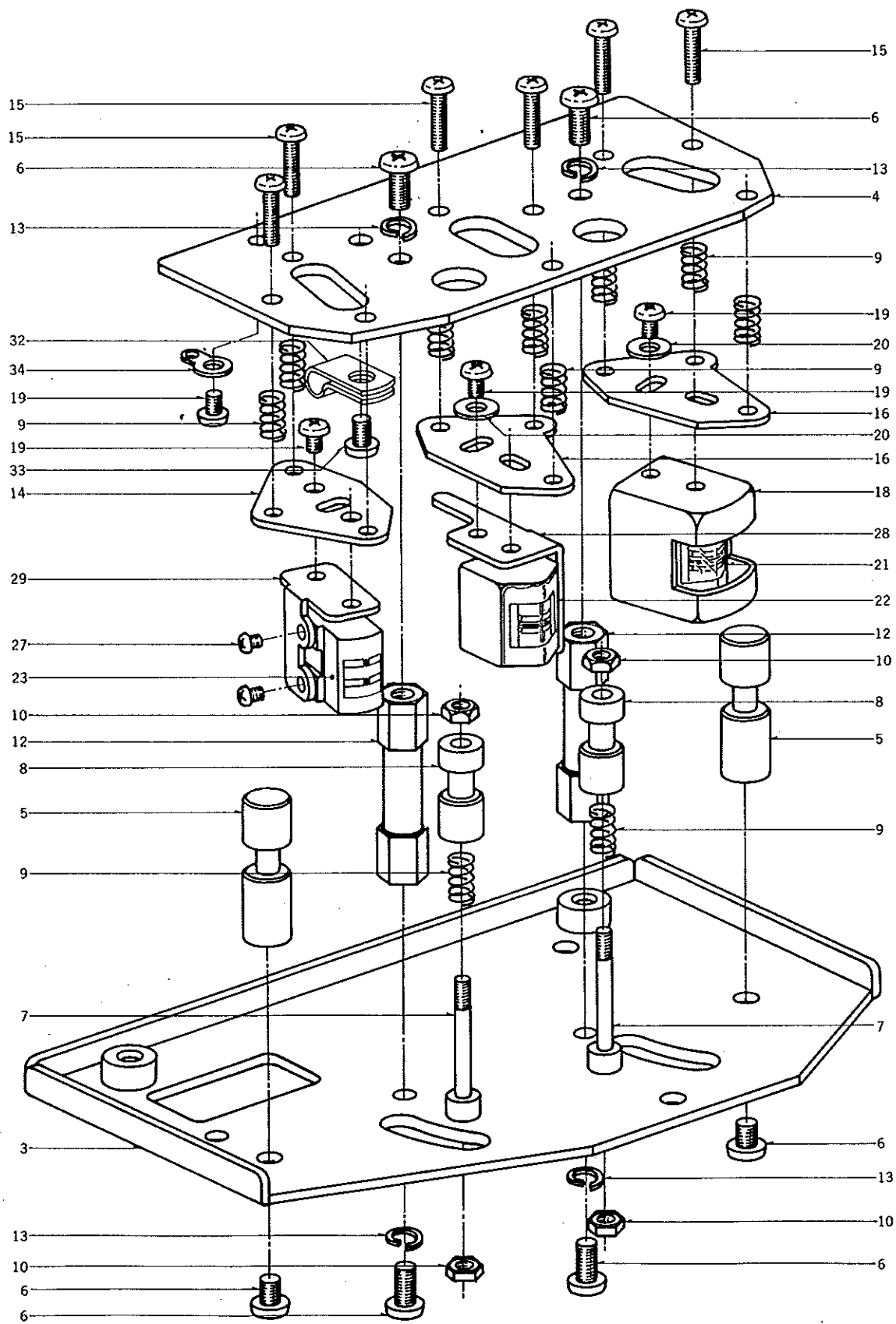
<p>Because the indication of resistors and capacitors in the P. C. Board photos are being eliminated, please confirm parts name and shape by comparing them with the parts shown in this table.</p>	<p style="text-align: center;">1</p>  <p style="text-align: center;">Solid Resistor</p>	<p style="text-align: center;">2</p> <p style="text-align: right;">Stopper Type</p>  <p style="text-align: center;">Insulator Type</p> <p style="text-align: center;">Carbon Resistor</p>	<p style="text-align: center;">3</p>  <p style="text-align: center;">Metal Oxide Film Resistor</p>
<p style="text-align: center;">4</p>  <p style="text-align: center;">Cement Resistor</p>	<p style="text-align: center;">5</p>  <p style="text-align: center;">Wire-Wound Resistor</p>	<p style="text-align: center;">6</p>  <p style="text-align: center;">Thermister</p>	<p style="text-align: center;">7</p>  <p style="text-align: center;">Enamel Resistor</p>
<p style="text-align: center;">1</p>  <p style="text-align: center;">MP Capacitor (Tubular Type)</p>	<p style="text-align: center;">2</p>  <p style="text-align: center;">Plastic Capacitor</p>	<p style="text-align: center;">3</p>  <p style="text-align: center;">Mylar Capacitor</p>	<p style="text-align: center;">4</p>  <p style="text-align: center;">VFM (Hi-Q) Capacitor</p>
<p style="text-align: center;">5</p>  <p style="text-align: center;">Mylar Capacitor</p>	<p style="text-align: center;">6</p>  <p style="text-align: center;">Tantalum Capacitor</p>	<p style="text-align: center;">7</p>  <p style="text-align: center;">Oil Capacitor (Tubular Type)</p>	<p style="text-align: center;">8</p> <p style="text-align: right;">Vertical Type</p> <p style="text-align: left;">(Tubular Type)</p>  <p style="text-align: center;">Styrol Capacitor</p>
<p style="text-align: center;">9</p>  <p style="text-align: center;">Electrolytic Capacitor (Tubular Type)</p>	<p style="text-align: center;">10</p> <p style="text-align: right;">Vertical Type</p> <p style="text-align: left;">(Tubular Type)</p>  <p style="text-align: center;">Electrolytic Capacitor</p>	<p style="text-align: center;">11</p>  <p style="text-align: center;">Ceramic Capacitor</p>	<p style="text-align: center;">12</p>  <p style="text-align: center;">Metalized Mylar (Paper) Capacitor</p>
<p style="text-align: center;">13</p>  <p style="text-align: center;">Trimmer Condenser</p>		<p style="text-align: center;">VR</p>  <p style="text-align: center;">Semi-Fixed Volume</p>	
<p style="text-align: center;">L</p>  <p style="text-align: center;">Ferri Inductor</p>	<p style="text-align: center;">TR</p>  <p style="text-align: center;">Transistor</p>		
<p style="text-align: center;">CR</p>  <p style="text-align: center;">Spark Quencher</p>	<p style="text-align: center;">D</p>  <p style="text-align: center;">Diode (Silicon, Zener, Germanium)</p>		

FIG. 1 ILLUSTRATION OF TD HEAD BLOCK



TD HEAD BLOCK

Ref. No.	Parts No.	Description	Schematic No.	Q'ty
1-1x	BH587777	TDHead Block Comp.	TD-1,3	1
1-2x	BH587788	TD Head Block Comp. (PRO)	TD-2	1
1-3	HZ581106	Head Base A, w/prop	TD-001	1
1-4	HZ581117	Head Base B	TD-001	1
1-5	HZ803597	Tape Guide A	RD-3	1
1-6	ZS537006	Screw, binding head 4x8		6
1-7	MH578957	Tape Guide Prop	TD-003	2
1-8	HZ532710	Tape Guide B	TW-006	2
1-9	ZG466312	Angle Adjust Spring E	BS-0018	11
1-10	ZW273835	Nut M3		4
1-11x	ZW273745	Spring Washer M3		2
1-12	MH529233	Head Base Prop B	ND-0017	2
1-13	ZW273914	Spring Washer M4		4
1-14	HZ532732	CH Retaining Base	TW-008	1
1-15	ZS562432	Screw, binding head 3x13		9
1-16	HZ532765	PH Retaining Base	TW-010	2
1-17x	ZG540584	Angle Adjust Spring G (PRO)	TW-025	3
1-18	HZ532776	Shield Case	TW-011	1
1-19	ZS396000	Screw, binding head 3x4		7
1-20	ZW413256	Washer (SPC) D3.4x7.8x0.5t		2
1-21	HP536501	P.B. HEAD BLOCK P4-202		1
1-22	HR384513	REC HEAD R4-200		1
1-23	HE563220	ERASE HEAD BLOCK		1
		E4-260		1
1-24x	HP552205	P.B. HEAD P2-100 (PRO)		1
1-25x	HR552216	REC. HEAD R2-100 (PRO)		1
1-26x	HE587790	ERASE HEAD E2-100 (PRO)		1
1-27	ZS394525	Screw, binding head 2x3		4
1-28	HA533597	RH Angle	TW-0201	1
1-29	HA533608	EH Angle	TW-0202	1
1-30x	ZS460438	Screw, binding head 2x3		2
1-31x	EA382713	Head Connector P.C. Board	RD-A8	1
1-32	EJ315101	Nylon Clip HP-4N	2-7-38	1
1-33	ZS355511	Screw, binding head 3x6		1
1-34	ZW273881	Earth Lug M4		1

MAIN MOTOR BLOCK

Ref. No.	Parts No.	Description	Schematic No.	Q'ty
2-1x	BMS87507	Main Motor Block Comp. HM2-16TD	TD	1
2-2	MZ526421	16 Motor Cover, w/metal	TW-7023	1
2-3	MZ448222	24 Motor Cover, w/metal	24X-781	1
2-4	ZS427037	Screw, pan head 4x50, w/washer		4
2-5	MR540876	Motor Pulley Comp.	MC-7201	1
2-6	ZS203016	Screw, oval countersunk head 3x15		1
2-7	MZ316293	Motor Mt. Plate, MR	MR-717	1
2-8	MH254182	Motor Prop B	24X-731	1
2-9	MH586563	Motor Prop C, w/bush	TD-7005	2
2-10	ZS424056	Screw, pan head 4x10		4
2-11	ZS272395	Motor Prop Retaining Screw, M-7	24X-732	1
2-12	ZS427026	Screw, countersunk head 4x10		2
2-13	SZ529108	Main Motor Fan	ND-7010	1
2-14	ZW270134	'E' Ring 5M	6-1-9	1
2-15x	ZW330412	Adjust. Washer (U) D4x13x0.13t		1
2-16x	ZW330423	Adjust. Washer (U) D4x13x0.25t		1
2-17	ZW330445	Adjust. Washer (U) D4x13x0.8t		1

When ordering parts, please describe Parts Number, Serial Number, and Model Number in detail.

FIG. 2 ILLUSTRATION OF MAIN MOTOR BLOCK

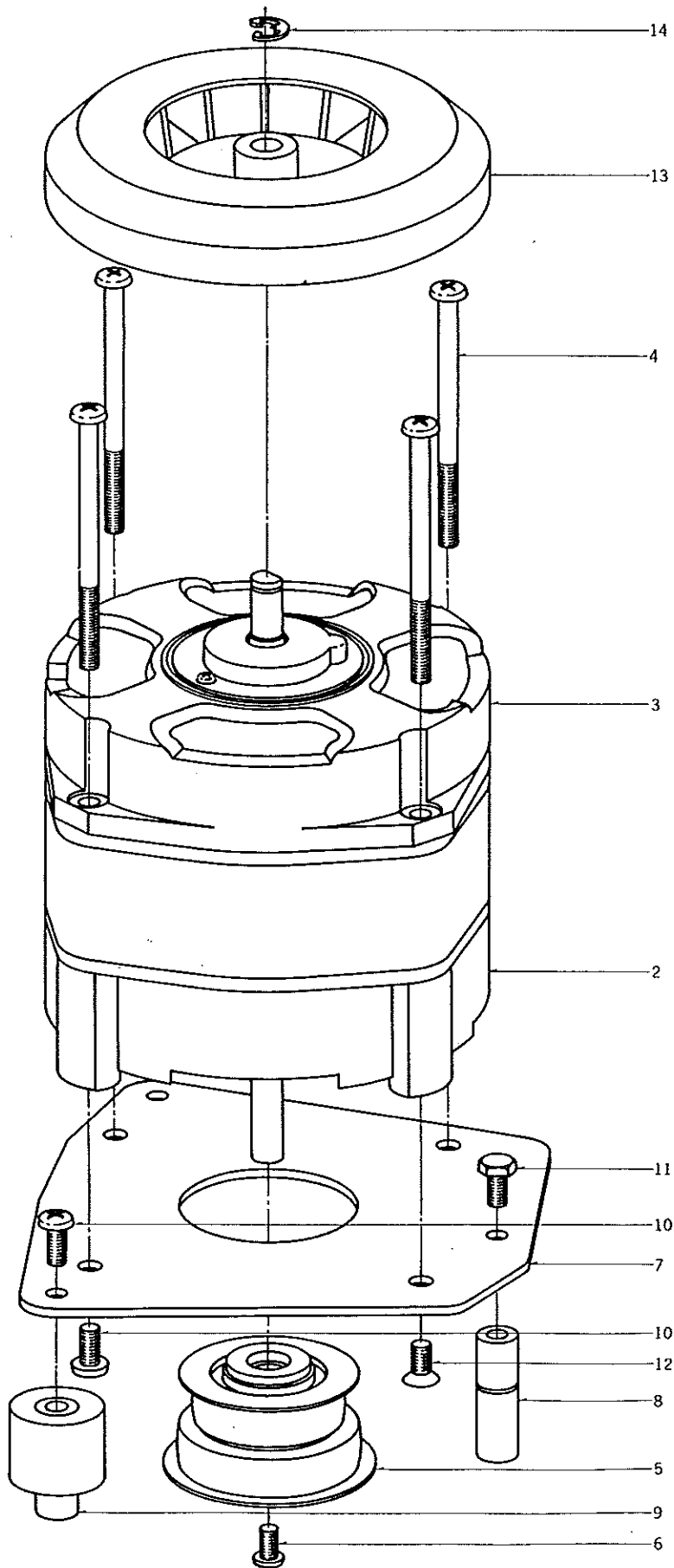
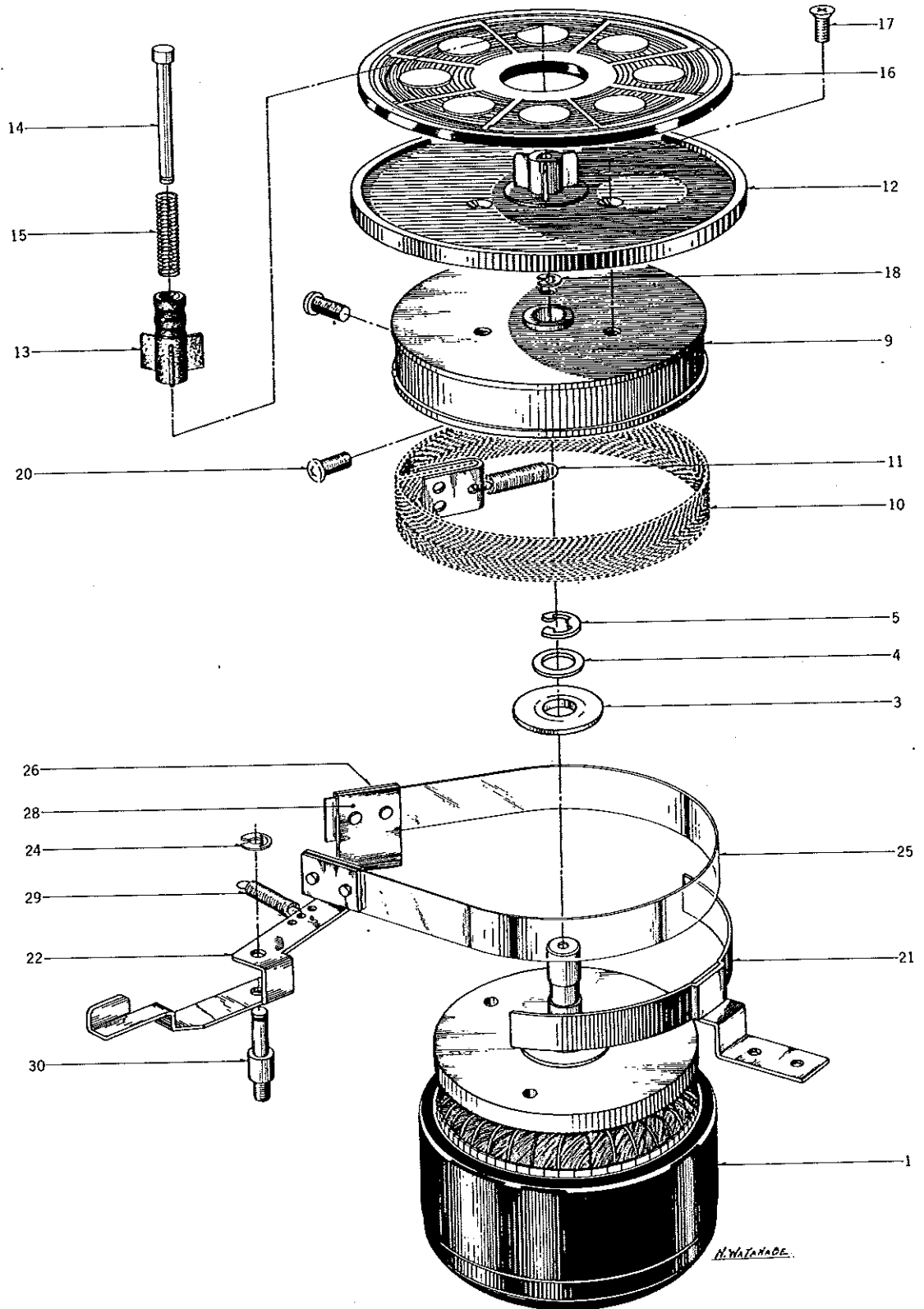


FIG. 3 ILLUSTRATION OF REEL MOTOR/REEL TABLE BLOCK



REEL MOTOR/REEL TABLE BLOCK

Ref. No.	Parts No.	Description	Schematic No.	Q'ty
REEL MOTOR BLOCK				
3-1	BM587518	Reel Motor Block Comp. 24XO-2	TD	1
3-2x	MV408510	Bearing 608VVMC2ERAV2L		1
3-3	MZ248185	Bearing Retainer	3R-758	1
3-4	ZW260278	Washer (Nylon) D8.1x13x0.5t		1
3-5	ZW270156	'E' Ring 6M	6-1-9	1
REEL TABLE (R, L) BLOCK				
3-6x	BR587542	Reel Table Block Comp. (Supply)	TD	1
3-7x	BR587553	Reel Table Block Comp. (Take-up)	TD	1
3-8x	MT577473	Brake Drum (L) B	MR-216	1
3-9	MT576538	Brake Drum (R) B	MR-216	1
3-10	MT436860	Brake Cloth Comp.	MR-269	1
3-11	ZG317496	Felt Tension Spring	MR-260	1
3-12	MT534666	Reel Table	TW-2031	1
3-13	MT534677	Reel Clamper	TW-2032	1
3-14	MS342000	Reel Shaft	3R-108	1
3-15	ZG540617	Clamper Spring	TW-2096	1
3-16	MT534688	Reel Table Rubber	TW-2033	1
3-17	ZW413785	Screw, binding head 3x12		3
3-18	ZW270088	'E' Ring 1.9M	6-1-9	1
3-19x	ZW562476	Earth Lug M3		1
3-20	ZS435273	Screw, binding head 4x10		2
MECH. ASSEMBLY BLOCK				
3-21	MZ581995	Brake Band Guide	TD-1014	2
3-22	ML582041	Brake Lever A (Take-up)	TD-1019	1
3-23x	ML533643	Brake Lever B (Supply)	TW-1030	1
3-24	ZW290283	'U' Ring 2.85M	6-1-1	2
3-25	MT314987	Brake Band	MR-213	2
3-26	MZ314998	Brake Band Retaining Plate	MR-212	4
3-27x	ZS413155	Screw, binding head 3x6		16
3-28	ML582074	Brake Band Support	TD-1023	2
3-29	ZG540090	Brake Lever Spring	TW-1058	2
3-30	MH581984	Brake Lever Post B	TD-1013	1

FLYWHEEL BLOCK

Ref. No.	Parts No.	Description	Schematic No.	Q'ty
4-1x	BF587520	Flywheel Block Comp.	TD-1, 3	1
4-2x	BF587531	Flywheel Block Comp. (PRO)	TD-2	1
4-3	MI296245	Flywheel 24	MH-202	1
4-4	MS581310	Capstan Shaft A	TD-2001	1
4-5x	MS581321	Capstan Shaft B (pro)	TD-2002	1
4-6	ZW437804	Flywheel Thrust AD7.9x13x1t	101024	1
4-7	ZS373577	Set Screw, hexagon Socket 5x6 (Flat/p.)		2
4-8	MZ413976	Main Case B 24 Comp.	1630-205	1
4-9x	MZ586798	Main Case Felt	A0415	1
4-10	MZ446635	Thrust Cap, Main Metal B2	LF-2006	1
4-11	MH244710	Flywheel Fixing Pin	900-250	1
4-12	MZ586438	Main Metal Cap Felt	A0414	1
4-13	SK581332	Main Case Cap	TD-2003	1
MECH. ASSEMBLY BLOCK				
4-14	ZS416687	Screw, binding head 4x8		5
4-15	MV537862	Steel Ball D4		1
4-16	MZ453767	Thrust Bracket	BS-1022	1
4-17	ZW462205	Washer (Nylon) D7.9x1t (Without hole)		1
4-18	MH581916	Flywheel Prop	TD-1005	2
4-19	MB437703	Flywheel Belt, MCD113x7x1.6	MC-1015	1
4-20	MZ436847	Belt Guide	LF-1012	1
4-21	ZS322728	Screw, binding head 3x5		2
4-22	ZW330412	Adjust. Washer (U) D4x13x0.13t		1
4-23x	ZW330423	Adjust. Washer (U) D4x13x0.25t		1
4-24x	ZW413190	Adjust. Washer (U) D4x13x0.8t		1

When ordering parts, please describe Parts Number, Serial Number, and Model Number in detail.

FIG. 4 ILLUSTRATION OF FLYWHEEL BLOCK

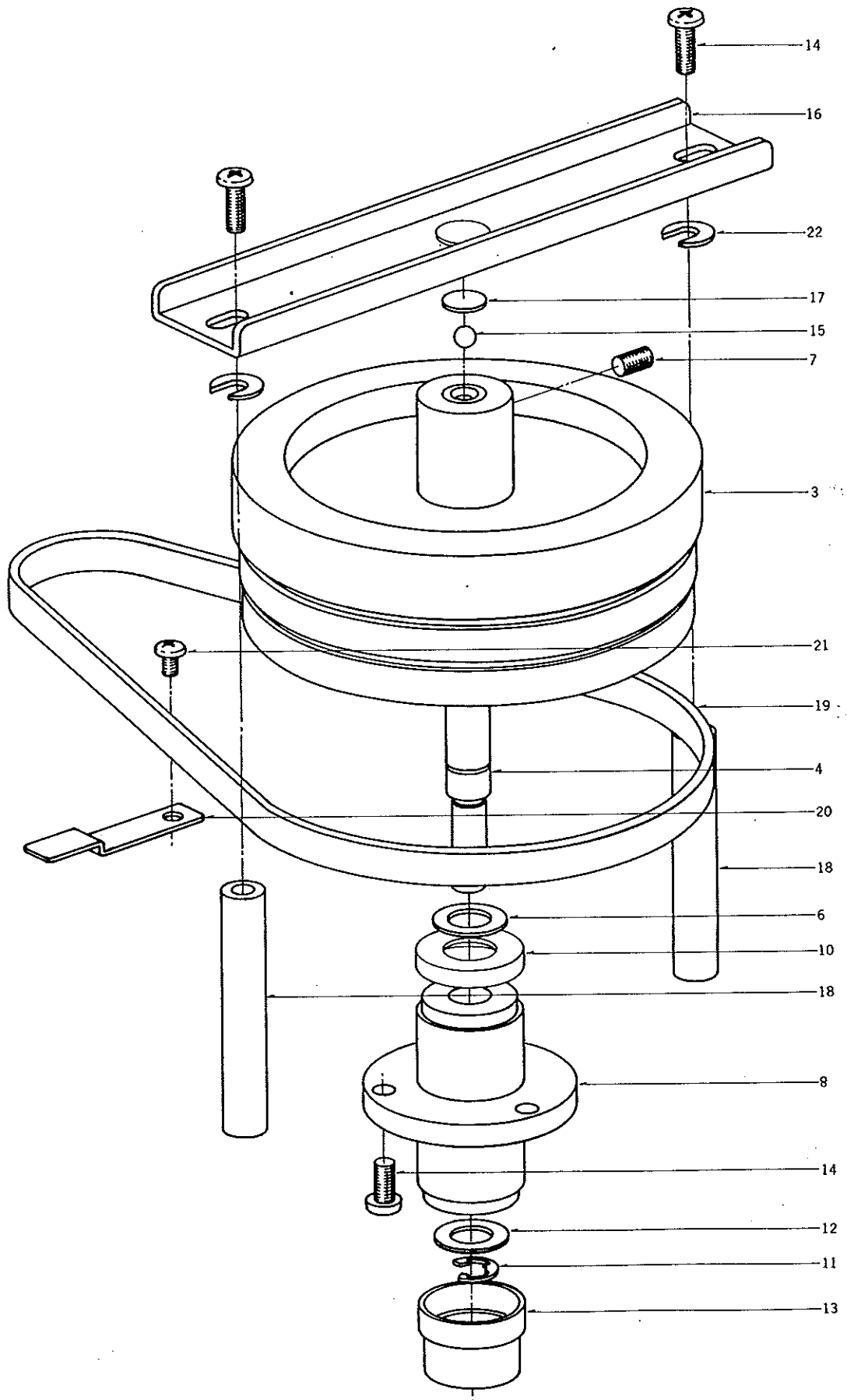
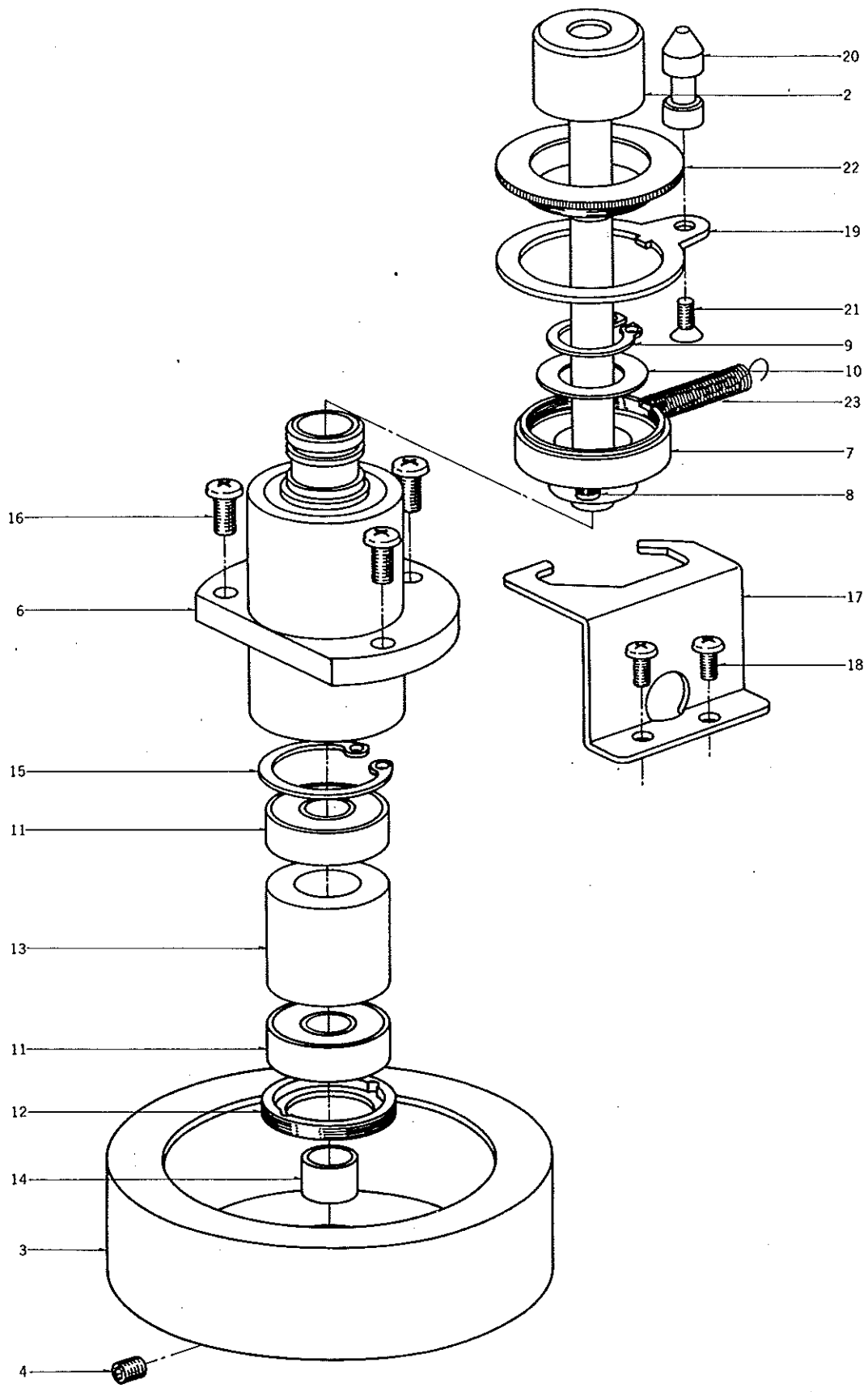


FIG. 5 ILLUSTRATION OF IMPEDANCE ROLLER BLOCK



IMPEDANCE ROLLER BLOCK

Ref. No.	Parts No.	Description	Schematic No.	Q'ty
5-1x	BI587755	Impedance Roller Block Comp.	TD	1
5-2	MS580386	Impedance Roller Shaft, w/roller	TD-2030	1
5-3	MI292678	Z Wheel	RD-245	1
5-4	ZS487912	Set Screw, hexagon Socket 5x6 (cup/p.)		2
5-5x	ZW321592	Washer (sus) D8.1x13x0.3t		1
5-6	BC580792	Impedance Case, w/shaft	TD-2080	1
5-7	MZ580634	Arm Holder	TD-2063	1
5-8	MZ596698	Stopper Pin Tube	TD-2100	1
5-9	ZW573546	'C' Ring (Shaft) STW-13		1
5-10	ZW584043	Thrust Washer	TD-2099	1
5-11	MV248141	Bearing 608VVMC2ERB32L		2
5-12	ZS292667	Z Bearing Screw	.3A-215	1
5-13	MZ580836	Bearing Collar B	TD-2088	1
5-14	MZ580667	Bearing Collar A	TD-2066	1
5-15	ZW575684	'C' Ring (Hollow) RTW-22		1
MECH. ASSEMBLY BLOCK				
5-16	ZS416687	Screw, binding head 4x8		3
5-17	MZ480015	Tension Arm Bracket	TD-1038	1
5-18	ZS413155	Screw, binding head 3x6		2
5-19	ML580004	Impedance Roller Arm	TD-1037	1
5-20	MS580454	Tension Arm Guide	TD-2038	1
5-21	ZS200305	Screw, countersunk head 3x5		1
5-22	SK580151	Arm Cap	TD-1063	1
5-23	ZG582232	Z Arm Spring	TD-1039	1

TENSION ARM BLOCK

Ref. No.	Parts No.	Description	Schematic No.	Q'ty
6-1x	BL587801	Tension Arm Block Comp.	TD	1
6-2	ML580443	Tension Arm Table, w/metal	TD-2037	1
6-3	MS580487	Tension Shaft	TD-2041	1
6-4	ZW580498	Tension Arm Washer	TD-2042	1
6-5	ZW575763	Washer (SPC) D8.1x13x0.5t		2
6-6	ZW260256	Washer (PBP) D8.1x13x0.1t		2
6-7	MH244710	Flywheel Fixing Pin	900-250	1
6-8	MH580588	Damper Prop.	TD-2062	1
6-9x	UM387617	Clutch Felt	CS-2011	1
6-10	MZ580577	Clutch Plate, w/metal A	TD-2061	1
6-11	ML580555	Clutch Lever, w/support	TD-2048	1
6-12	ZW270156	'E' Ring 6M	6-1-9	1
6-13	ZG580511	Clutch Spring	TD-2044	1
6-14	ZW580678	Spring Retaining Washer	TD-2067	2
6-15	ZW273756	Nut M3		2
6-16	ZW575774	Washer D4.5x9.8x0.7t		1
6-17	ZG580533	Cramp Spring	TD-2046	1
6-18	ZW410051	'E' Ring 2.5	6-1-9	1
6-19	ZG580522	Clutch Lever Spring	TD-2045	1
6-20	MZ580500	Switch Cam	TD-2043	1
6-21	ZG580746	Tension Spring	TD-2074	1
6-22	ZW550642	Washer (SPC) D3.1x7.9x0.5t		1
6-23	ZS323728	Screw, binding head 3x5		1
6-24	ML580465	Tension Arm	TD-2039	1
6-25	MS580454	Tension Arm Guide	TD-2038	1
6-26x	MZ810191	Cushion Rubber, RD	RD-278	1
6-27	ZS424124	Screw, countersunk head 3x5		1
MECH. ASSEMBLY BLOCK				
6-28	ZW413190	Adjust. Washer (U) D4x13x0.8t		1
6-29x	ZW330423	Adjust. Washer (U) D4x13x0.25t		1
6-30x	ZW330412	Adjust. Washer (U) D4x13x0.13t		1
6-31	ZS413155	Screw, binding head 3x6		4
6-32	MH580691	Actuator Prop.	TD-2069	1
6-33	MZ580680	Actuator	TD-2068	1
6-34	ZW290283	'U' Ring 2.85M	6-1-1	1
6-35	ES562465	Micro SW. K-1	25-1-26	1
6-36	ZS417148	Screw, binding head 3x15		2
6-37	MH581905	Prop A	TD-1004	3
6-38	SZ535094	Decorative Washer	TW-2077	1
6-39	ZS575796	Screw, oval countersunk head 3x5		1

When ordering parts, please describe Parts Number, Serial Number, and Model Number in detail.

FIG. 6 ILLUSTRATION OF TENSION ARM BLOCK

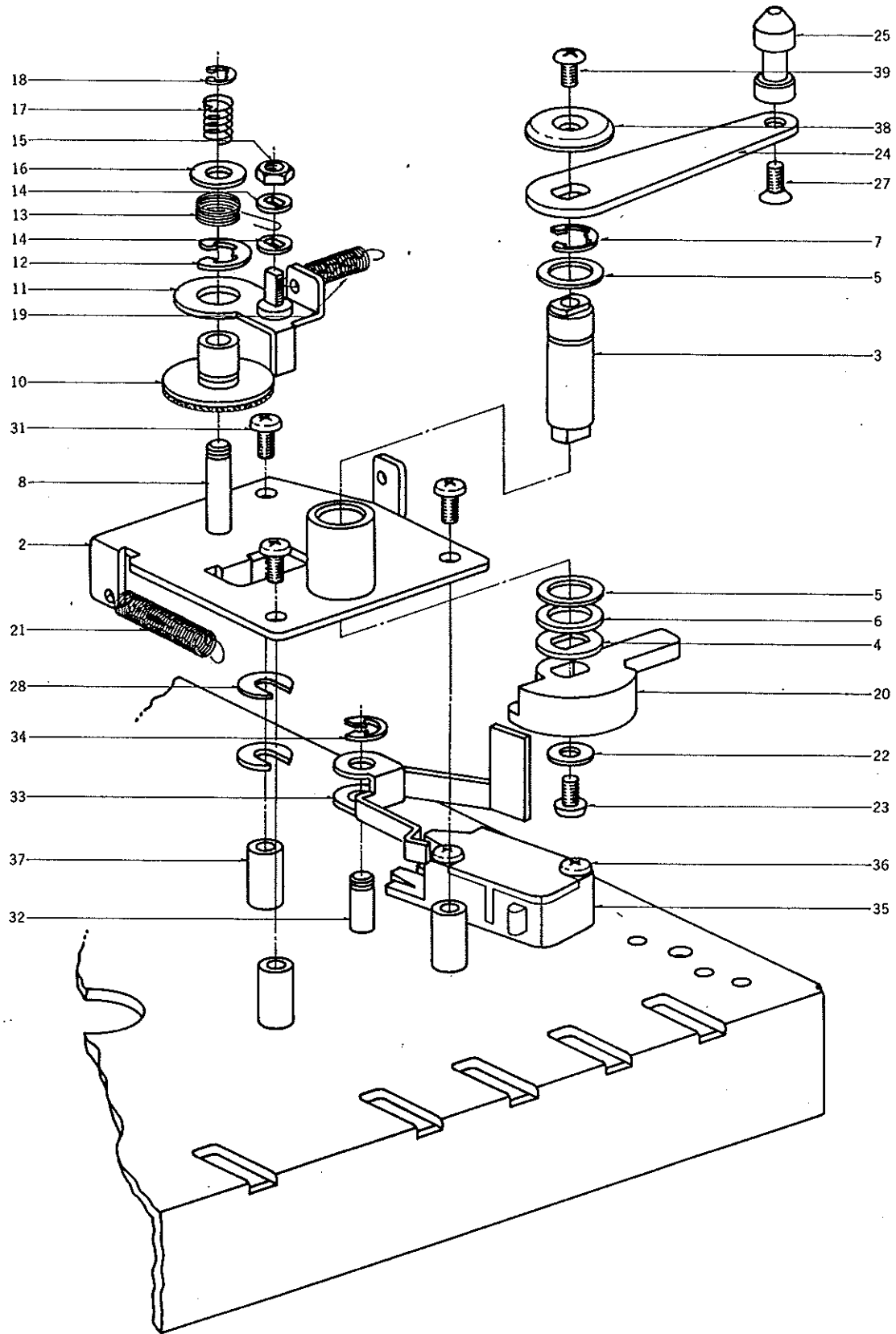
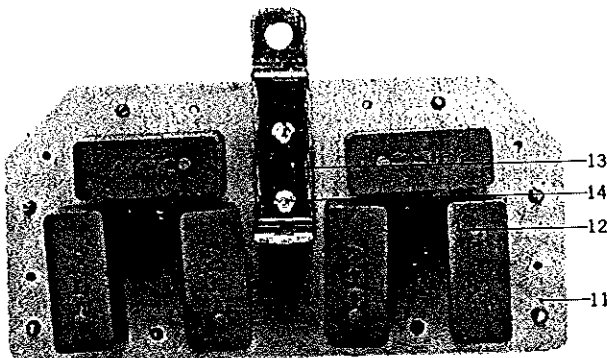
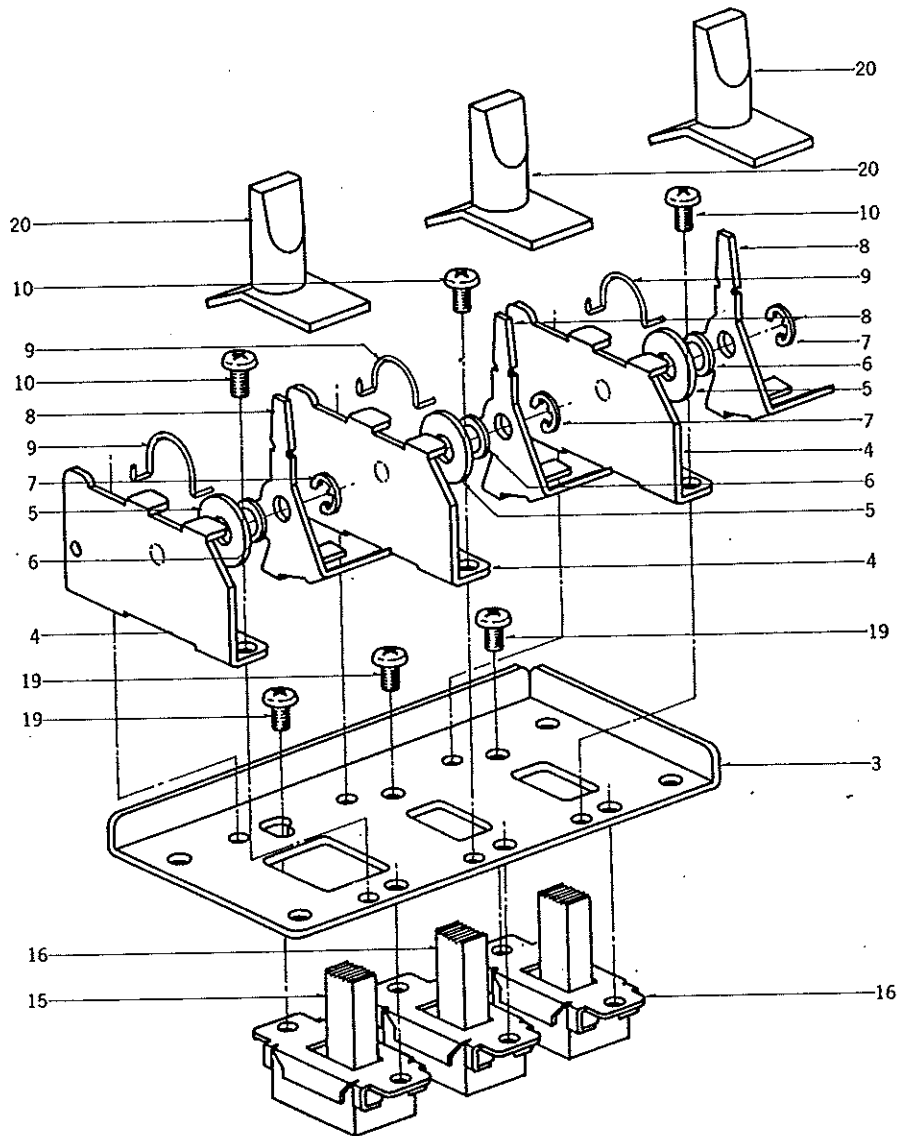


FIG. 7 ILLUSTRATION LEVER SW. BLOCK

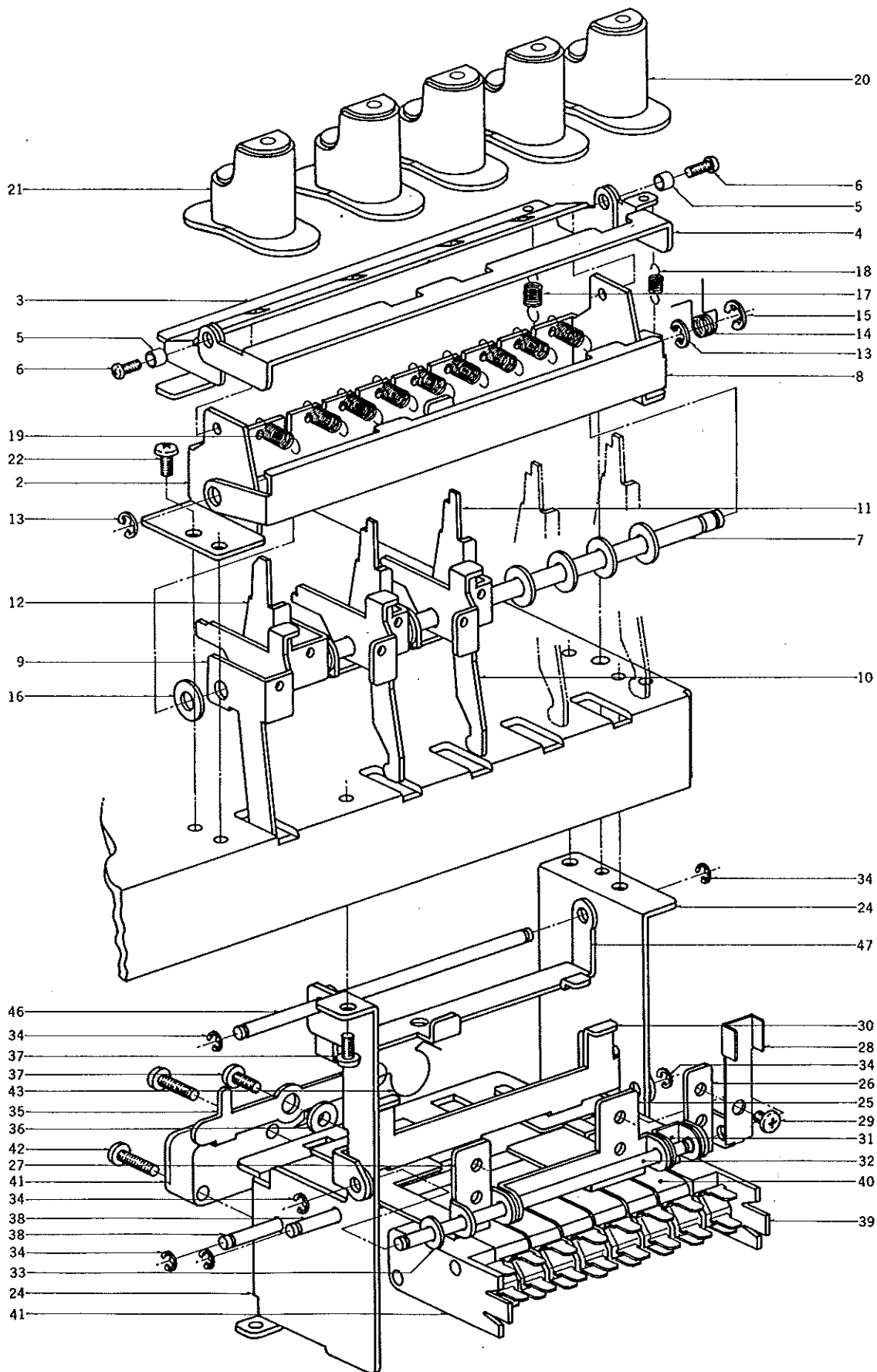


LEVER SW. BLOCK

Ref. No.	Parts No.	Description	Schematic No.	Q'ty
7-1x	BS587733	Lever SW. Block Comp.	TD	1
7-2x	BS587744	Lever SW. Block Comp. (EC)	TD	1
7-3	MZ580410	SW. Plate	TD-2033	1
7-4	MZ580397	Lever SW. Bracket	TD-2031	3
7-5	MZ421097	Washer D4.5x13x1t		3
7-6	ZW589893	Washer D4.1x7x0.4t		3
7-7	ZW270101	'E' Ring 3M	6-1-9	3
7-8	ML580408	SW. Lever	TD-2032	3
7-9	ZG580432	Turn Spring	TD-2036	3
7-10	ZS575752	Tapping Screw #2 3x5 (binding)		6
7-11	EA581782	Spark Quencher P.C. Board B	TD-2087	1
7-12	ER376435	Spark Quencher U/L 0.1μ+120Ω 250 WV	41-1-35	6
7-13	ML580847	P.C. Board Mt. Parts	TD-2089	1
7-14	ZS323728	Screw, binding head 3x5		2
7-15	ES479485	Slide SW. S-1	25-3-66	1
7-16	ES479496	Slide SW. S-2	25-3-67	1
7-17x	MZ580724	Power SW. Cover (EC)	TD-2072	1
7-18x	MZ580858	SW. Lever Cover (EC)	TD-2090	2
7-19	ZS371856	ISO Screw, binding head 3x5		4
7-20	SK581837	Amp Knob 1-B	CP-5018	3

When ordering parts, please describe Parts Number, Serial Number, and Model Number in detail.

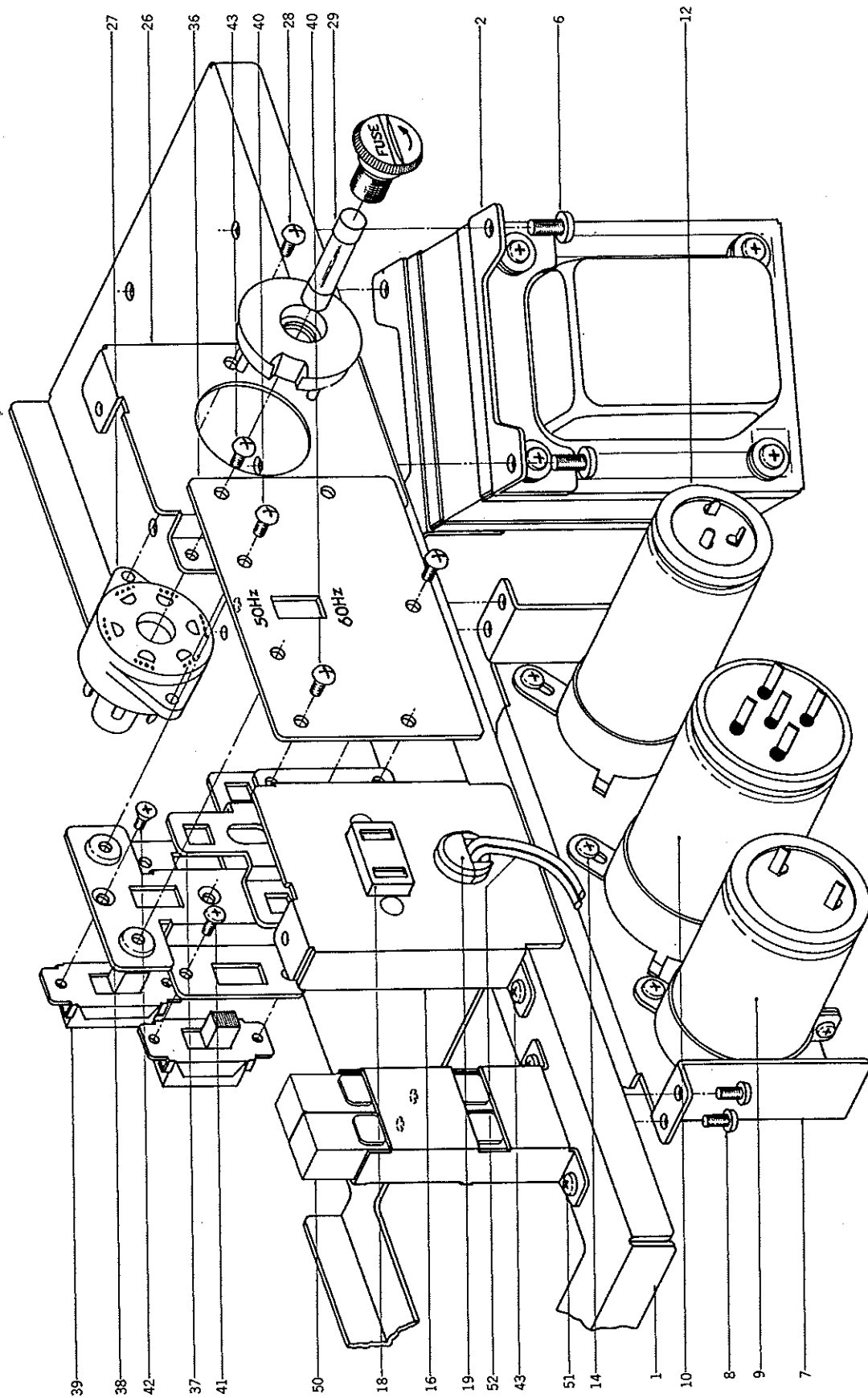
FIG. 8 ILLUSTRATION OF OPERATION BLOCK



OPERATION BLOCK

Ref. No.	Parts No.	Description	Schematic No.	Q'ty
OPERATION LEVER BLOCK				
8-1x	BL587564	Operation Lever Block Comp.	TD	1
8-2	ML581152	Operation Table	TD-2004	1
8-3	ML581163	Lock Plate A	TD-2005	1
8-4	ML581174	Lock Plate B	TD-2006	1
8-5	MZ580241	Lock Plate Bush	TD-2014	2
8-6	ZS464692	Screw, binding head 2.3x6		2
8-7	MS581343	Button Lever Shaft	TD-2008	1
8-8	ML581185	Lock Plate C	TD-2007	1
8-9	ML581354	Pause Lever	TD-2009	1
8-10	ML581365	Operation Lever A	TD-2010	4
8-11	ML580217	Button Lever A	TD-2011	4
8-12	ML580228	Button Lever B	TD-2012	1
8-13	ZW270101	'E' Ring 3M	6-1-9	2
8-14	ZG580230	Lock Plate C Spring	TD-2013	1
8-15	ZW290283	'U' Ring 2.85M	6-1-1	1
8-16	ZW562757	Washer D4.3x11x0.8t		11
8-17	ZG580252	Lock Plate A Spring	TD-2015	1
8-18	ZG580263	Lock Plate B Spring	TD-2016	1
8-19	ZG580285	Button Lever Spring	TD-2018	10
8-20	SB583244	Operation Button A	TD-6015	4
8-21	SB581578	Operation Button B (Blue)	TD-6015	1
8-22	ZS413155	Screw, binding head 3x6		4
OPERATION SW. BLOCK				
8-23x	BK587575	Operation SW. Block Comp.	TD	1
8-24	MZ581196	SW. Holder	TD-2019	1
8-25	ML580296	FWD SW. Lever	TD-2020	1
8-26	ML580307	FF SW. Lever	TD-2021	1
8-27	ML580318	RWD SW. Lever	TD-2022	1
8-28	MZ580320	Cushion Plate	TD-2023	3
8-29	ZS481645	Screw, binding head 2.6x3		3
8-30	ML580331	Fast SW. Lever	TD-2024	1
8-31	ML580342	OP SW. Lever	TD-2025	1
8-32	MS580353	Micro SW. Shaft	TD-2026	1
8-33	ZW550642	Washer (SPC) D3.1x7.9x0.5t		7
8-34	ZW270088	'E' Ring 1.9M	6-1-9	8
8-35	ML580364	Seesaw Lever	TD-2027	1
8-36	MZ580375	SW. Bush	TD-2028	1
8-37	ZS413741	Screw, binding head 3x8		4
8-38	MS580353	Micro SW. Shaft	TD-2026	2
8-39	ES562465	Micro SW. K-1	25-1-26	1
8-40	ES573478	Micro SW. K-3	25-1-31	6
8-41	ES573456	Micro SW. K-2	25-1-30	2
8-42	ZS562432	Screw, binding head 3x13		2
8-43	ZG528928	Turn Spring B	ND-2042	1
8-44x	BA587586	Spark Quencher P.C. Board (A) (TD-2086) Comp.	TD	1
8-45x	ZS413155	Screw, binding head 3x6		3
8-46	MS583380	Release Lever Shaft	TD-2094	1
8-47	ML583367	Release Lever B	TD-2092	1

FIG. 9 ILLUSTRATION OF POWER SUPPLY BLOCK



POWER SUPPLY BLOCK

Ref. No.	Parts No.	Description	Schematic No.	Q'ty
9-1	MZ581444	Power Shassis	TD-2053	1
9-2	BT573513	Power Trans. TDT-4	38-4-270	1
9-3x	BT573491	Power Trans. TDT-2 (UL)	38-4-268	1
9-4x	BT573502	Power Trans. TDT-3 (EC)	38-4-269	1
9-5x	BT573480	Power Trans. TDT-1 (JPN)	38-4-267	1
9-6	ZS416687	Screw, binding head 4x8		4
9-7	MZ581242	Capacitor Base	TD-2055	1
9-8	ZS472274	Tapping Screw #2 3x6 (bind)		12
9-9	EC557190	Elect./C. 470 μ F 160WV (Lug type)	24-10-88	1
9-10	EC520626	MP/C. (3+1) μ Fx2 250WV AC (Lug type)	24-9-74	1
9-11x	EC536927	MP/C. 3 μ Fx2 250WV AC (Lug type UNI/D.) (UL)	24-9-79	1
9-12	EC442056	MP/C. (2+1) μ F 250WV AC (Lug type OP./D.)	24-9-61	1
9-13x	EC536938	MP/C. 2 μ F 250WV AC (Lug type UNI/D.) (UL)	24-9-78	1
9-14	ZS413155	Screw, binding head 3x6		6
9-15x	ER365016	Carbon/R. RD1/4 220k(J) (Insu. type)	35-9-5	1
9-16	ML581207	AC Table A	TD-2054	1
9-17x	ML581231	AC Table B (EC)	TD-2054	1
9-18	EJ378944	Socket, AC U/L S-1 9122	31-1-47	1
9-19	EZ382263	Strain Relief SR-4K-4	2-7-12	1
9-20x	EZ246936	Strain Relief SR-6W-1 (WG, 3 core)	2-7-8	1
9-21x	ZW273881	Earth Lug M4		1
9-22x	EJ561227	Terminal No. 500/2 (EC)	52-1-18	1
9-23x	MZ546625	Connector Insulator Paper (EC)	ND-1081	1
9-24x	ZS417148	Screw, binding head 3x15		1
9-25x	ZS455207	Tapping Screw #2 3x5 (BR)		1
9-26	ML581613	VS Table	TD-2056	1
9-27	EJ233370	Socket S-18010 (Volt. Selector)	30-2-3	1
9-28	ZS374128	ISO Screw, truss head 3x8		2
9-29	EF563703	Fuse 2A 250V	39-1-50	1
9-30x	EF277413	Fuse ST-2 2A	39-1-26	2
9-31x	EF277424	Fuse ST-4 0.8A	39-1-28	1
9-32x	EF354306	Fuse 1.25AT (T type)		3
9-33x	EF395188	Fuse 630MAT (T type) (CEE)		1
9-34x	EF563703	Fuse 2A 250V	39-1-50	3
9-35x	EF575932	Fuse 0.8A 250V	39-1-50	1
9-36	ML580590	F SW. Base B	TD-2057	1
9-37	MZ580601	F SW. Plate	TD-2058	1
9-38	ML580612	F SW. Base A	TD-2059	1
9-39	ES479485	Slide SW. S-1	25-3-66	3
9-40	ZS355511	Screw, binding head 3x6		3
9-41	ZS379405	ISO Screw, binding head 3x6		4
9-42	ZS440291	ISO Screw, countersunk head 3x6		2
9-43	ZS589511	Tapping Screw #2 3x6 (bind)		4
9-44x	EA581815	Fuse P.C. Board TD (EC, JPN)	TD-1066	1
9-45x	EJ580825	Fuse Holder (EC, JPN)	TD-2083	4
9-46x	EF354306	Fuse 1.25AT (T type)		2
9-47x	EF563703	Fuse 2A 250V	39-1-50	2
9-48x	ZS468358	Screw, truss head 3x5		2
9-49x	HA583198	Fuse Angle TD (EC, JPN)	TD-1067	2
9-50	ER575640	Cement/R. H(20+20)B (43+220+180)K	35-16-54	1
9-51	ZS472274	Tapping Screw #2 3x6 (bind)		2
9-52	EW540112	AC Cord 2.5M (CUL)	26-3-19	1
9-53x	EW559260	Power Cord Type-412 (EC)	26-3-33	1
9-54x	EW524845	AC Cord 2.5M (JPN)	26-3-31	1
9-55x	EW466784	Australia Cord (3 core)	26-3-23	1
9-56x	ES479485	Slide SW. S-1 (Reel Size)	25-3-66	1
9-57x	ESS73535	Slide SW. 302BA893-100-1 (Reel Size) (EC)	25-3-99	1
9-58x	ES573456	Micro SW. K-2	25-1-30	1
9-59x	EJ299823	Mate-N-Lock Cap Housing 6P 1-480276-0	52-1-2	1
9-60x	EJ373623	Pin Contact 61116-1	52-1-1	5
9-61x	EJ205975	Cramp Terminal 1-SD	32-1-7	4

When ordering parts, please describe Parts Number, Serial Number, and Model Number in detail.

MECHANISM ASSEMBLY BLOCK

Ref. No.	Parts No.	Description	Schematic No.	Q'ty	Ref. No.	Parts No.	Description	Schematic No.	Q'ty
PINCH ROLLER PLUNGER BLOCK					10-66	MP582164	Pinch Roller D = 42	TD-1034	1
10-1x	BZ587766	Pinch Roller Plunger Block Comp.		1	10-67x	MP533744	Pinch Roller D = 36 (PRO)	TW-1040	1
10-2	ML396933	Pinch Roller Arm	TD	1	10-68	ZW430402	Washer (Nylon) 1Roller D6.2x10x0.5t		1
10-3	MZ580781	Pinch Arm Joint, w/pin	KD-1030	1	10-69	ZS533766	Pinch Rbller Screw	TW-1042	1
10-4	ZW345442	Washer (Nylon) D4.2x9x1t	TD-2079	1	10-70	MZ580206	Guide Angle	TD-1058	1
10-5	MH533913	Connecting Pin	TW-2010	1	10-71	ML582085	Shifter Lever A, w/pin	TD-1024	1
10-6x	ZW270088	'E' Ring 1.9M	6-1-9	4	10-72	MZ581128	Shifter Plate	TD-1028	1
10-7	MZ802980	Spring Holder	RD-276	2	10-73	ML582096	Shifter Lever B	TD-1025	1
10-8	ZG428927	Pinch Roller Compression Spring B	KD-1032	1	10-74	ZW420682	Washer (Nylon) D4.2x9x0.5t		3
10-9	EP573658	Plunger Solenoid 1660THT-3	44-1-66	1	10-75	ML582118	Shifter Arm, w/pin	TD-1027	2
10-10x	ED224550	Silicon Diode 10D4	45-2-16	1	10-76	MS580094	Arm Shaft	TD-1047	1
10-11	MZ581275	PR Plunger Bracket	TD-1061	1	10-77	ML582175	Spring Lever	TD-1036	1
10-12x	ZS323728	Screw, binding head 3x5		2	10-78	ML582120	Connecting Bar	TD-1029	1
10-13	MS582153	Pinch Roller Shaft	TD-1033	1	10-79	ZG582131	Shifter Spring	TD-1030	1
10-14	ZW416698	Nut M4		1	10-80	ZW580173	Guide Washer	TD-1055	3
MECH. ASSEMBLY BLOCK					10-81	ML580026	Shifter Lock Arm A, w/prop	TD-1040	1
10-15	MZ581466	Mech. Frame	TD-1001	1	10-82	ZG580746	Tension Spring	TD-2074	1
10-16	ML581883	Shifter Stopper	TD-1002	2	10-83	MZ580061	Shifter Lock Collar	TD-1044	1
10-17	ZW273756	Nut M3		12	10-84	ZW270088	'E' Ring 1.9M	6-1-9	2
10-18	MZ810191	Cushion Rubber, RD	RD-278	3	10-85	ML580037	Shifter Lock Arm B, w/pin	TD-1041	1
10-19	MH581894	Head Base Prop	TD-1003	3	10-86	MZ580162	Pause Spring Hanger	TD-1054	1
10-20x	ZS416687	Screw, binding head 4x8		5	10-87	ZG580285	Button Lever Spring	TD-2018	1
10-21	ZS413155	Screw, binding head 3x6		33	10-88	MH580083	Slider Base Post	TD-1046	1
10-22	MH581927	Shifter Guide Post	TD-1006	3	10-89	MZ580072	Slider Base	TD-1045	1
10-23	MH581940	Shifter Lever Post A	TD-1008	1	10-90	MS580184	Spoke Guide	TD-1056	1
10-24	MH581951	Spring Lever Post	TD-1010	1	10-91	ZG583391	Plate Spring	TD-1072	1
10-25x	ZW416698	Nut M4		4	10-92x	EJ589331	Nylon Clip SN-10A	2-7-43	1
10-26	MH581962	Shifter Lever Post B	TD-1011	1	10-93x	EJ205986	Cramp Terminal 2-SD	32-1-8	10
10-27	MH581973	Brake Lever Post A	TD-1012	1	10-94	MZ527894	Panel Support	ND-1020	1
10-28	MH581984	Brake Lever Post B	TD-1013	1	10-95	ZS325495	Tapping Screw #2 3x6		2
10-29	MH583345	Release Lever Post	TD-1071	1	10-96	ML583356	Release Lever A, w/pin	TD-2091	1
10-30	MZ581995	Brake Band Guide, w/base	TD-1014	2	10-97	MZ583424	SW Bracket	TD-2098	1
10-31	MC573726	Counter MP490-20, w/base	9-1-33	1	10-98	ZG583413	SW Spring	TD-2097	1
10-32	MZ582028	Head Cover Support	TD-1017	2	10-99	ZS413785	Screw, binding head 3x12		2
10-33	MZ582030	Spring Hanger	TD-1018	3	10-100x	MZ581286	Insulator Barrier (1)	TD-1063	1
10-34	ML533643	Brake Lever B	TW-1030	1	10-101	ES573456	Micro SW. K-2	25-1-30	1
10-35	ZW290283	'U' Ring 2.85M	6-1-1	12	10-102	MH581938	Shifter Arm Shaft	TD-1007	2
10-36	ML582041	Brake Lever A	TD-1019	1					
10-37	ML582063	Brake Lever C, w/pin	TD-1021	1					
10-38	ZW580173	Guide Washer	TD-1055	1					
10-39x	ZW259896	Washer (Lino tape) D5.1x10.3x0.17t		1					
10-40	MT314987	Brake Band	MR-213	2					
10-41	MZ314998	Brake Band Retaining Plate	MR-212	4					
10-42	ML582074	Brake Band Support	TD-1023	2					
10-43	MZ314605	Spring Rack, MR	MR-104	2					
10-44	ZG540090	Brake Lever Spring	TW-1058	2					
10-45	MZ582142	Plunger Bracket	TD-1032	1					
10-46	EP574885	Plunger Solenoid SDC-1064PHT 48V 300Ω	44-1-69	1					
10-47x	ZS371856	ISO Screw, binding head 3x5		2					
10-48x	ED511907	Silicon Diode 1N4002	45-2-51	1					
10-49	MH257477	Connecting Pin	RD-211	1					
10-50	ML580702	QT SW. Table	TD-2070	1					
10-51	ES403727	Micro SW. V-1A106 U/L	25-1-20	1					
10-52	ZS413785	Screw, binding head 3x12		2					
10-53	ML580127	Middle Pulley Table	TD-1050	1					
10-54	MS580116	Middle Pulley Shaft	TD-1049	1					
10-55	MR580105	Middle Pulley, w/metal	TD-1048	1					
10-56	ZW259738	Washer (Polyslider) D4.1x7x0.25t		1					
10-57	MB527556	Counter Belt D93x1.5	ND-1022	1					
10-58	MB580138	Counter Belt D73x1.5	TD-1051	1					
10-59	ZW259773	Washer (Nylon) D4.1x7x0.5t		1					
10-60	ML581130	Reset Spoke	TD-1035	1					
10-61	MH581253	Pinch Roller Arm Shaft	TD-1059	1					
10-62x	ZW581264	Nut M-5	TD-1060	1					
10-63	ZS243516	Screw, pinch roller	XR-140	1					
10-64	ZG580770	Pinch Roller Spring	TD-2078	1					
10-65	ZG580768	Spoke Spring	TD-2077	1					

FIG. 10 ILLUSTRATION OF MECHANISM ASSEMBLY BLOCK

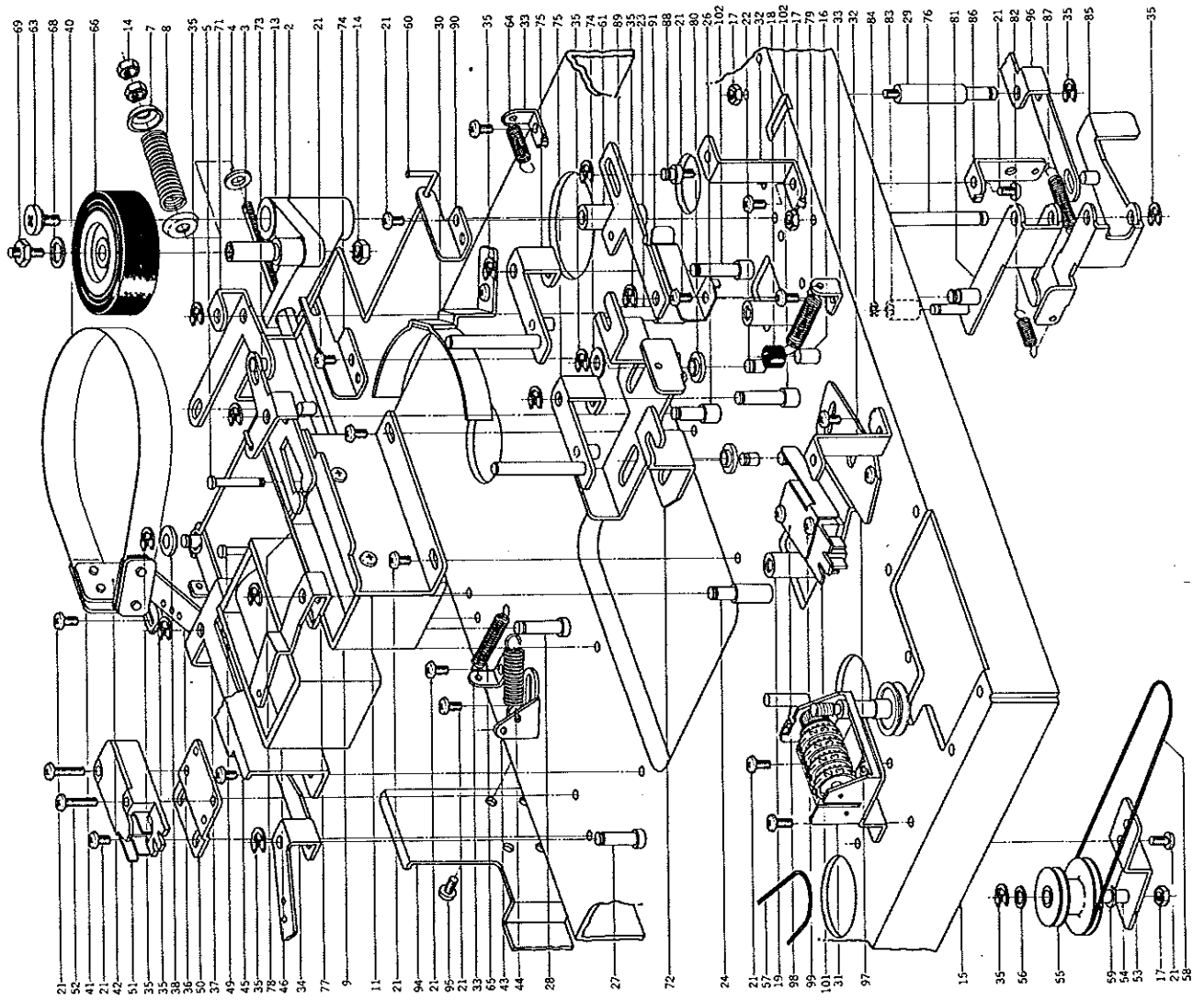
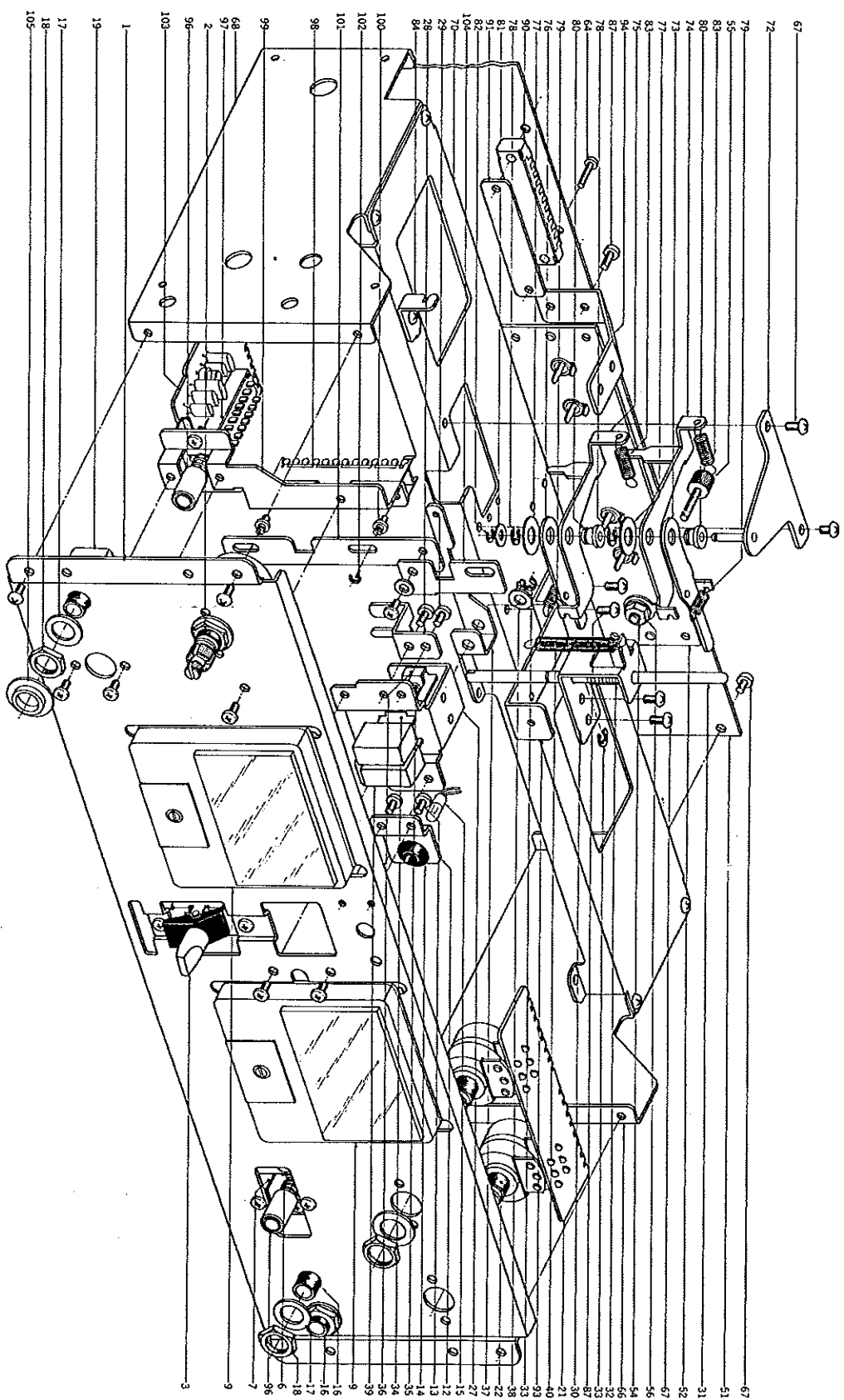


FIG. 11 ILLUSTRATION OF AMPLIFIER ASSEMBLY BLOCK

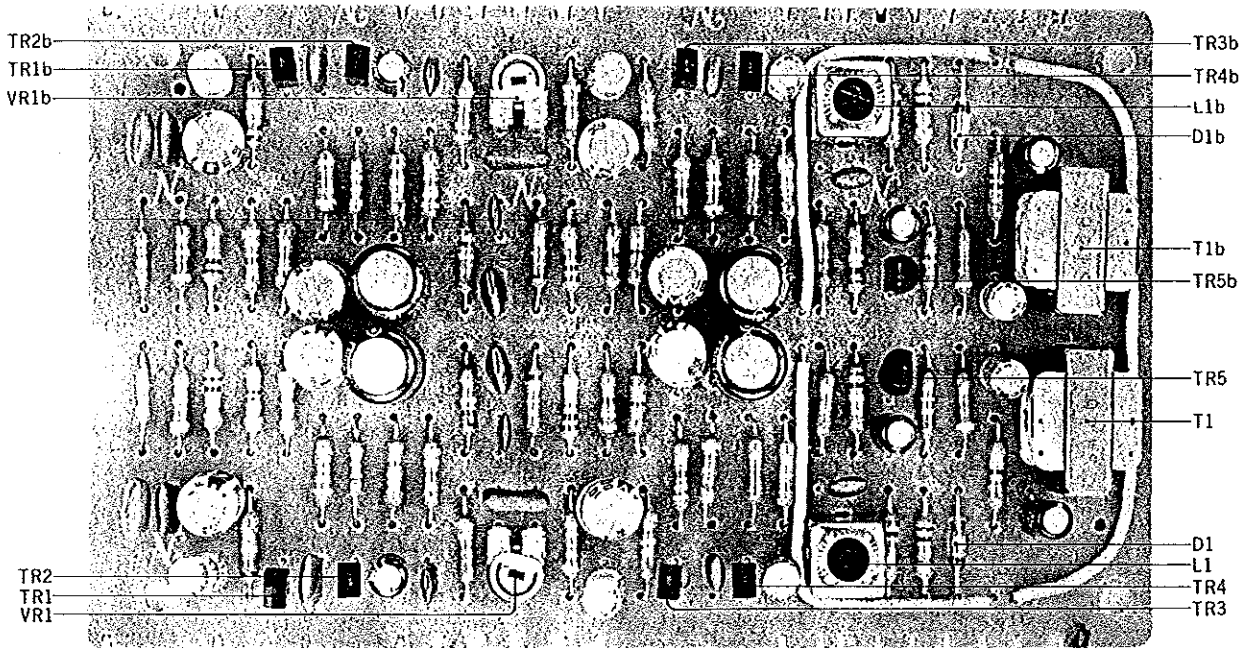


AMPLIFIER ASSEMBLY BLOCK

Ref. No.	Parts No.	Description	Schematic No.	Q'ty	Ref. No.	Parts No.	Description	Schematic No.	Q'ty
AMP. FRONT CHASSIS BLOCK					REAR SHASSIS BLOCK				
11-1	EZ581387	Amp. Front Chassis	TD-5001	1	11-51	EZ529593	Amp. Rear Chassis	ND-5035	1
11-2	EV573660	Double/Vol. DJ20A B10kx2	36-3-53	1	11-52	EJ581646	Jack Plate (3)	TD-5025	1
11-3	ES565255	Lever SW. 12T-3S040 (Lead type)	25-12-11	1	11-53x	EJ558246	SP Din Jack	31-1-99	1
11-4x	ES565446	Lever SW. S-J6398 (DB)	25-12-12	1	11-54	EJ457661	Terminal A	55-5032	1
11-5x	ZS371856	ISO Screw, binding head 3x5		4	11-55	EJ457637	Terminal B	55-5033	1
11-6	ES571094	Push SW. 1FST-2U-378-3	25-5-116	1	11-56	ZW463410	ISO Nut #3 M5		1
11-7	EZ549764	SW. Base B	TW-5306	1	11-57x	ZW463408	Toothed Lock Washer M5		1
11-8x	ZS323728	Screw, binding head 3x5		2	11-58x	ZW463397	Earth Lug M5		1
11-9	EM561756	VU Meter KL-250B-27 (Black)	46-1-79	2	11-59x	ER345712	Carbon/R. RD1/4 22k(J) (Insu. type)	35-9-5	4
11-10x	EM573748	VU Meter KL-280B-28 (Yellow)	46-1-86	2	11-60x	ER329264	Carbon/R. RD1/4 2.2k(J) (Insu. type)	35-9-5	2
11-11x	SE529457	Meter Mask	ND-5043	2	11-61x	ER213647	Carbon/R. RD1/4 10k(J) (Insu. type)	35-9-5	4
11-12	EZ549797	Lamp Holder	TW-5316	1	11-63x	ZW273756	Nut M3		4
11-13	ZS447772	Tapping Screw #2 3x6(BR)		2	11-64	ZS575910	Screw, binding head 2.3x12		2
11-14	EZ428117	Rubber Bushing	AA-801	1	11-65x	ZW273688	Nut M2.3		2
11-15	EL565468	Pilot Lamp (L/T) 24V 35MA (150M/Mx2)	28-2-24	1	AMP. ASSEMBLY BLOCK				
11-16	EJ374016	Mic. Jack 2PMJ1	31-2-23	2	11-66	EZ528366	Amp. Side Plate (R)	ND-5020	1
11-17	ZW272722	Toothed Lock Washer M9 D9.3x13x0.5t		3	11-67	ZS447772	Tapping Screw #2 3x6 (BR)		18
11-18	ZW554624	E Jack Nut	7-1-56	3	11-68	EZ528377	Amp. Side Plate (L)	ND-5020	1
11-19	EJ372892	Mic. Jack 3PMJ1	31-2-24	1	11-69x	ZS523664	Tapping Screw #2 3x10(BR)		1
VOL. P.C. BOARD BLOCK					11-70	EZ581398	Center Bridge	TD-5002	1
11-20x	BA587946	Vol. P.C. Board Block Comp. (TD-5029)	TD	1	11-71x	EJ328320	Nylon Clip HP-5N	2-7-39	1
11-21	EA581760	Vol. P.C. Board	TD-5010	1	11-72	EZ528276	Lever Retaining Plate, w/shaft	ND-5022	1
11-22	EV573682	Double/Vol. DJ60R A50kx2	36-3-54	2	11-73	ML528851	Sub R Lever A	ND-5025	1
11-23x	ER329308	Carbon/R. RD1/4 47k(J) (Insu. type)	35-9-5	4	11-74	ML528873	Rec. Lever A	ND-5026	1
11-24x	ER565301	Carbon/R. RD1/4 180k(J) (Insu. type)	35-9-5	2	11-75	ML528884	Rec. Lever B	ND-5027	1
11-25x	ER345756	Carbon/R. RD1/4 68k(J) (Insu. type)	35-9-5	2	11-76	ML541484	Sub R Lever C	ND-5053	1
REC. BUTTON BLOCK					11-77	ZW379361	Washer (Nylon) D6.1x13x0.5t		2
11-26x	BZ587935	Rec. Button Block	TD	1	11-78	ZW270123	'E' Ring 4M	6-1-9	2
11-27	EZ528333	Rec. SW. Holder, w/shaft	ND-5002	1	11-79	ZG528423	Rec. Pull Spring A	ND-5028	2
11-28	EZ528208	Safety Guard	ND-5010	1	11-80	ZW544083	Sleeve	ND-5055	2
11-29	ZS447772	Tapping Screw #2 3x6 (BR)		4	11-81	ZW317171	Washer (PBP) D3.1x8x0.1t		3
11-30	EZ528298	Rod Stand	ND-5008	1	11-82	ZW270088	'E' Ring 1.9M	6-1-9	1
11-31	EZ580915	Rec. Con Rod	TD-5015	1	11-83	ZG529683	Rec. Pull Spring B	ND-5029	2
11-32	ZG580882	Record Spring	TD-5009	1	11-84	EZ580893	P.C. Board Holder	TD-5011	4
11-33	ZW270101	'E' Ring 3M	6-1-9	2	11-85x	EZ581635	P.C. Board Angle A (Large)	TD-5013	1
11-34	EZ528322	SW. Slider	ND-5004	2	11-86x	EZ580904	P.C. Board Angle B (Small)	TD-5014	1
11-35	ZG528311	Coil Spring	ND-5005	2	11-87	ZS447772	Tapping Screw #2 3x6 (BR)		17
11-36	EZ528300	Spring Retainer	ND-5006	1	11-88x	EJ299823	Mate-N-Lock Cap Housing 6P 1-480276-0	52-1-2	1
11-37	EZ528467	Stopper	ND-5007	1	11-89x	EJ373623	Pin Contact 61116-1	52-1-1	5
11-38	ZW420682	Washer (Nylon) D4.2x9x0.5t		1	11-90	EJ292961	Multi-Jack 10P 500-010-005	31-4-4	1
11-39	SK528671	Push SW. Knob	ND-5011	2	11-91	EZ530021	Jack Nut Plate	ND-5052	1
11-40	ZG520716	RF Spring	3R-150	1	11-92x	ZS462947	Screw, pan head 2.3x12		2
DOLBY/SOS SW. BLOCK					11-93	EZ528963	Am p. Supporting Plate A	ND-5040	1
11-41x	BS587957	Dolby/Sos. SW. Block Comp. (DB)	TD-3	1	11-94	EZ528952	Amp. Supporting Plate B	ND-5041	1
11-42x	ES573693	Push SW. 2FST-6U-561-3	25-5-120	1	11-95x	ZS413155	Screw, binding head 3x6		2
11-43x	EZ580972	SW. Base	TD-5020	1	11-96	SK531224	Push Button Knob	91-5051	2
11-44x	SE580983	Lamp Mask	TD-5021	1	11-97	ES573671	Push SW. 1FST-6U-122-3	25-5-119	1
11-45x	EZ580994	Lamp Holder	TD-5022	1	11-98	ES574446	Slide SW. SSBO8223	25-3-101	1
11-46x	EZ581005	Lamp Holder Support	TD-5023	1	11-99	EZ580871	SW. Mt. Parts	TD-5008	1
11-47x	SB581016	Lamp Button A (Green)	TD-5024	1	11-100	VM422381	Slide Plate Shaft	PX-A206	2
11-48x	SB581027	Lamp Button B (Orange)	TD-5024	1	11-101	EZ580860	Speed SW. Lever	TD-5007	1
11-49x	EL565468	Pilot Lamp (L/T) 24V 35MA (150M/Mx2)	28-2-24	1	11-102	ZW357164	'E' Ring 2.3M	6-1-9	2
11-50x	ZS417137	Screw, binding head 3x4		2	11-103	BA587913	SRT P.C. Board (B) Block	TD-5201	1
					11-104	SZ580735	Speed Change Plate	TD-2073	1
					11-105	EZ436217	Collar For Jack	MC-5006	3

When ordering parts, please describe Parts Number, Serial Number, and Model Number in detail.

FIG. 12 PHOTO OF P.B. P.C. BOARD (TD-5004) BLOCK

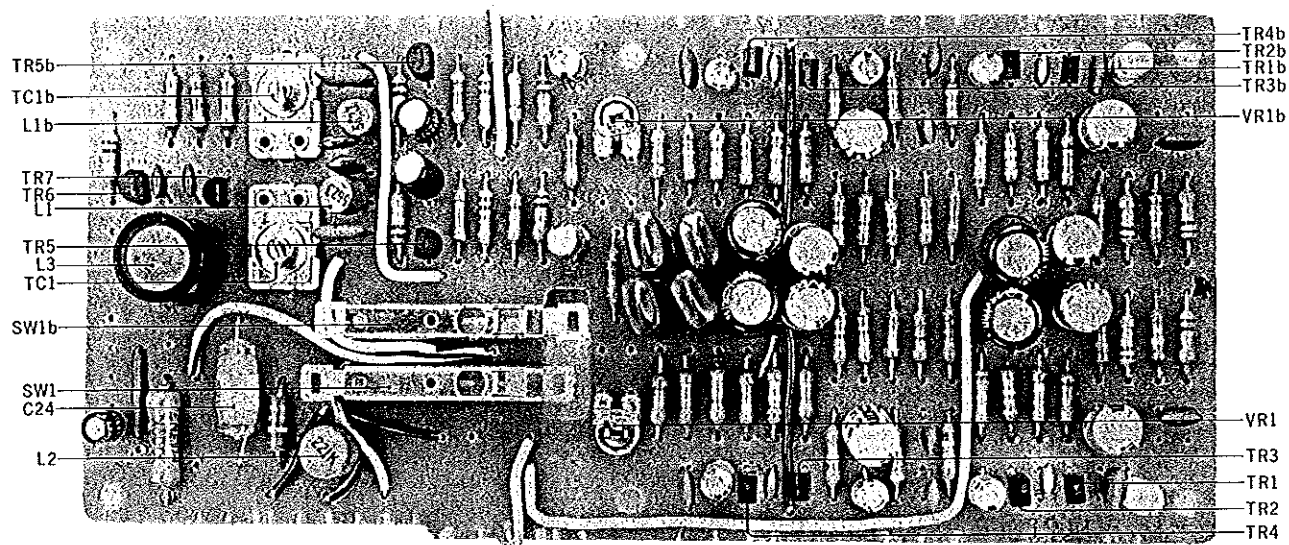


PB. P.C. BOARD (TD-5004) BLOCK

Symbol No.	Parts No.	Description	Q'ty	Symbol No.	Parts No.	Description	Q'ty
12-1x	BA587981	PB. P.C. Board Block Comp. (TD-5004)	1	Resistor, Insulator Type			
12-TR1to4	ET234854	Transistor 2SC458LG(C)	8	12-R1	ER559067	Carbon RD1/4 330k(J)	2
12-TR5	ET453486	Transistor 2SC711(E)(F)	2	12-R2	ER330063	Carbon RD1/4 47k(J)	2
12-D1	ED219464	Germanium Diode 1N34A	2	12-R3	ER559067	Carbon RD1/4 330k(J)	2
12-VR1	EV464220	Semi-fixed/Vol. V8K4-1 50 kB	2	12-R4	ER368111	Carbon RD1/4 10k(J)	2
12-L1	EO346230	Inductor RX 22MH	2	12-R5	ER368076	Carbon RD1/4 330(J)	2
12-T1	BT517274	Headphone Trans. N16-535S	2	12-R6	ER330041	Carbon RD1/4 150k(J)	2
Capacitor, Vertical Type				12-R7	ER368133	Carbon RD1/4 22k(J)	2
12-C1	EC220151	Elect. 100μF 25WV	2	12-R8	ER364375	Carbon RD1/4 3.3k(J)	2
12-C2	EC432810	Elect. 10μF 16WV	2	12-R9	ER575548	Carbon RD1/4 4.3k(J)	2
12-C3	EC467133	VFM 68PF(J) 50WV	2	12-R10	ER330120	Carbon RD1/4 100k(J)	2
12-C4	EC290520	VFM 100PF(J) 50WV	2	12-R11	ER575537	Carbon RD1/4 3.9k(J)	2
12-C5	EC336104	Elect. 100μF 6.3WV	2	12-R12	ER364375	Carbon RD1/4 3.3k(J)	2
12-C6	EC290520	VFM 100PF(J) 50WV	2	12-R13	ER368122	Carbon RD1/4 18k(J)	2
12-C7	EC320051	Elect. 10μF 16WV	2	12-R14	ER337353	Carbon RD1/4 4.7k(J)	2
12-C8	EC336104	Elect. 100μF 6.3WV	2	12-R15	ER330063	Carbon RD1/4 47k(J)	2
12-C9	EC392038	Mylar 0.018μF(J) 50WV	2	12-R16	ER337342	Carbon RD1/4 1k(J)	2
12-C10, 11	EC335373	Mylar 0.0022μF(J) 50WV	4	12-R17	ER368076	Carbon RD1/4 330(J)	2
12-C12	EC220151	Elect. 100μF 25WV	2	12-R18	ER330052	Carbon RD1/4 2.2k(J)	2
12-C13	EC432810	Elect. 10μF 16WV NL	2	12-R19	ER368177	Carbon RD1/4 82k(J)	2
12-C14	EC329850	VFM 220PF(J) 50WV	2	12-R20	ER330052	Carbon RD1/4 2.2k(J)	2
12-C15	EC336104	Elect. 100μF 6.3WV	2	12-R21	ER368076	Carbon RD1/4 330(J)	2
12-C16	EC399565	VFM 22PF(J) 50WV	2	12-R22	ER575526	Carbon RD1/4 220(J)	2
12-C17	EC320051	Elect. 10μF 16WV	2	12-R23	ER368133	Carbon RD1/4 22k(J)	2
12-C18	EC336104	Elect. 100μF 6.3WV	2	12-R24	ER337342	Carbon RD1/4 1k(J)	2
12-C19	EC377212	VFM 47PF(J) 50WV	2	12-R25	ER368111	Carbon RD1/4 10k(J)	2
12-C20	EC450055	Elect. 1μF 25WV	2	12-R26	ER330120	Carbon RD1/4 100k(J)	2
12-C21	EC320051	Elect. 10μF 16WV	2	12-R27	ER537388	Carbon RD1/4 68k(J)	2
12-C22	EC450055	Elect. 1μF 25WV	2	12-R28	ER337353	Carbon RD1/4 4.7k(J)	2
				12-R29	ER575550	Carbon RD1/4 750(J)	2

When ordering parts, please describe Parts Number, Serial Number, and Model Number in detail.

FIG. 13 PHOTO OF REC. & OSC. P.C. BOARD (TD-5003) BLOCK

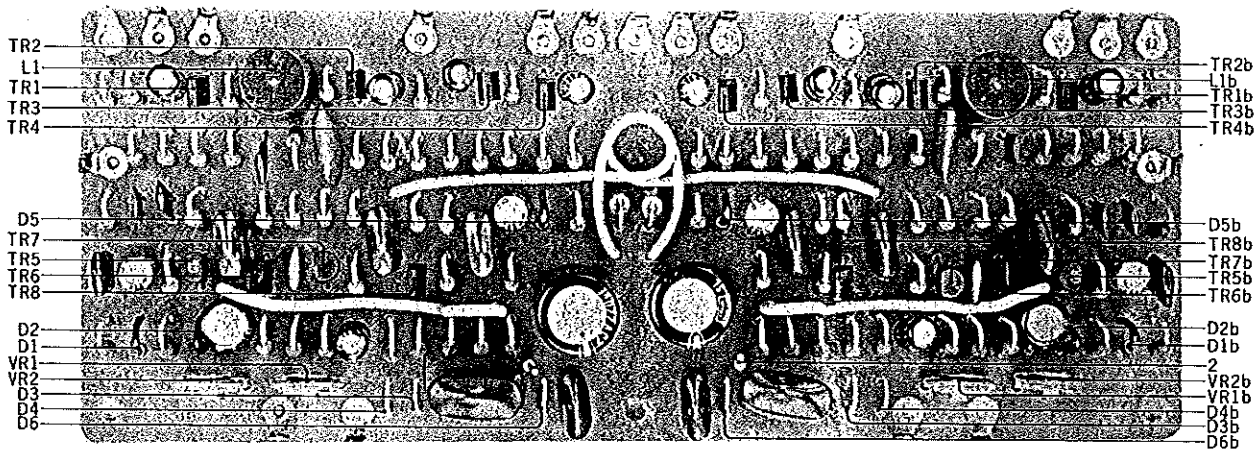


REC. & OSC. P.C. BOARD (TD-5003) BLOCK

Symbol No.	Parts No.	Description	Q'ty	Symbol No.	Parts No.	Description	Q'ty
13-1x	BA587968	Rec. & Osc. P.C. Board Comp. (TD-5003)	1	Resistor, Insulator Type			
13-2x	BA587970	Rec. & Osc. P.C. Board Comp. (TD-5003) (DB)	1	13-R1	ER368111	Carbon RD1/4 10k(J)	2
13-TR1 to 4	ET234854	Transistor 2SC458LG(C)	8	13-R2	ER559067	Carbon RD1/4 330k(J)	2
13-TR5	ET453486	Transistor 2SC711(E) (F)	2	13-R3	ER368111	Carbon RD1/4 10k(J)	2
13-TR6, 7	ET495415	Transistor 2SC1211(D)	2	13-R4	ER558606	Carbon RD1/4 680(J)	2
13-VR1	EV464207	Semi-fixed/Vol. V8K4-1 5 kΩ	2	13-R5	ER330041	Carbon RD1/4 150k(J)	2
13-TC1	EC398878	Trimmer/C. C-1P-2 70PF	2	13-R6	ER330052	Carbon RD1/4 2.2k(J)	2
13-L1	EO321254	Ferri Inductor FL7H 5.6MH(J)	2	13-R7	ER368122	Carbon RD1/4 18k(J)	2
13-L2	EO390622	Ferri Inductor FL9H 220μF(K)	1	13-R8	ER337397	Carbon RD1/4 2.7k(J)	2
13-L3	EO383365	Osc. Coil OT-204	1	13-R9	ER575616	Carbon RD1/4 1.6k(J)	2
13-L4	EO390622	Ferri Inductor FL9H 220μF(K)	1	13-R10	ER368122	Carbon RD1/4 18k(J)	2
13-SW1	ES520784	Slide SW. CL-104BO	2	13-R10	ER368133	Carbon RD1/4 22k(J) (DB)	2
Capacitor, Vertical Type				13-R11	ER476313	Carbon RD1/2 220(J)	2
13-C1	EC290520	VFM 100PF(J) 50WV	2	13-R12	ER337353	Carbon RD1/4 4.7k(J)	2
13-C2	EC220151	Elect. 100μF 25WV	2	13-R13	ER537366	Carbon RD1/4 120k(J)	2
13-C3	EC432810	Elect. 10μF 16WV NL	2	13-R14	ER575605	Carbon RD1/4 8.2k(J)	2
13-C4	EC290520	VFM 100PF(J) 50WV	2	13-R15	ER558584	Carbon RD1/4 270(J)	2
13-C5	EC336104	Elect. 100μF 6.3WV	2	13-R16	ER368177	Carbon RD1/4 82k(J)	2
13-C6, 7	EC399565	VFM 22PF(J) 50WV	4	13-R18	ER330164	Carbon RD1/4 1.8k(J)	2
13-C8	EC320051	Elect. 10μF 16WV	2	13-R19	ER575550	Carbon RD1/4 750(J)	2
13-C9	EC336104	Elect. 100μF 6.3WV	2	13-R20	ER368133	Carbon RD1/4 22k(J)	2
13-C10	EC220151	Elect. 100μF 25WV	2	13-R21	ER575594	Carbon RD1/4 36k(J)	2
13-C11	EC377212	VFM 47PF(J) 50WV	2	13-R22	ER558573	Carbon RD1/4 27k(J)	2
13-C12	EC320051	Elect. 10μF 16WV	2	13-R23	ER364375	Carbon RD1/4 3.3k(J) (DB)	2
13-C13	EC336104	Elect. 100μF 6.3WV	2	13-R24	ER368098	Carbon RD1/4 1.2k(J) (DB)	2
13-C14	EC399565	VFM 22PF(J) 50WV	2	13-R25	ER330052	Carbon RD1/4 2.2k(J)	2
13-C15	EC290520	VFM 100PF(J) 50WV	2	13-R26	ER558573	Carbon RD1/4 27k(J)	2
13-C16	EC336104	Elect. 100μF 6.3WV	2	13-R27	ER368111	Carbon RD1/4 10k(J)	2
13-C17	EC320051	Elect. 10μF 16WV	2	13-R28	ER337342	Carbon RD1/4 1k(J)	2
13-C18, 19	EC333562	Mylar 0.18μF(K) 50WV	4	13-R29	ER337353	Carbon RD1/4 4.7k(J)	2
13-C20	EC320051	Elect. 10μF 16WV	2	13-R30	ER368111	Carbon RD1/4 10k(J)	2
13-C21	EC220994	Elect. 10μF 25WV	2	13-R31	ER368087	Carbon RD1/4 470(J)	1
13-C22	EC380621	Mylar 0.0068μF(J) 50WV	2	13-R32, 33	ER575583	Carbon RD1/4 3.3(J)	2
13-C23	EC389237	VFM 200PF(J) 50WV	2	13-R34	ER368111	Carbon RD1/4 10k(J)	1
13-C24	EC573636	Plastic Film 620PF(J) 500WV	1	13-R35	ER426892	Solid RC1/2 2.4k(J)	1
13-C25, 26	EC250841	Mylar 0.01μF(J) 50WV	2	13-R38	BZ483287	Metal Oxide Film 2W 100(K)	1
13-28	EC450527	Elect. 4.7μF 25WV	1	13-R39	ER552802	Carbon RD1/2 100(J)	1
13-29	EC336115	Elect. 220μF 25WV	1				

When ordering parts, please describe Parts Number, Serial Number, and Model Number in detail.

FIG. 14 PHOTO OF DOLBY P.C. BOARD (TD-5301) BLOCK

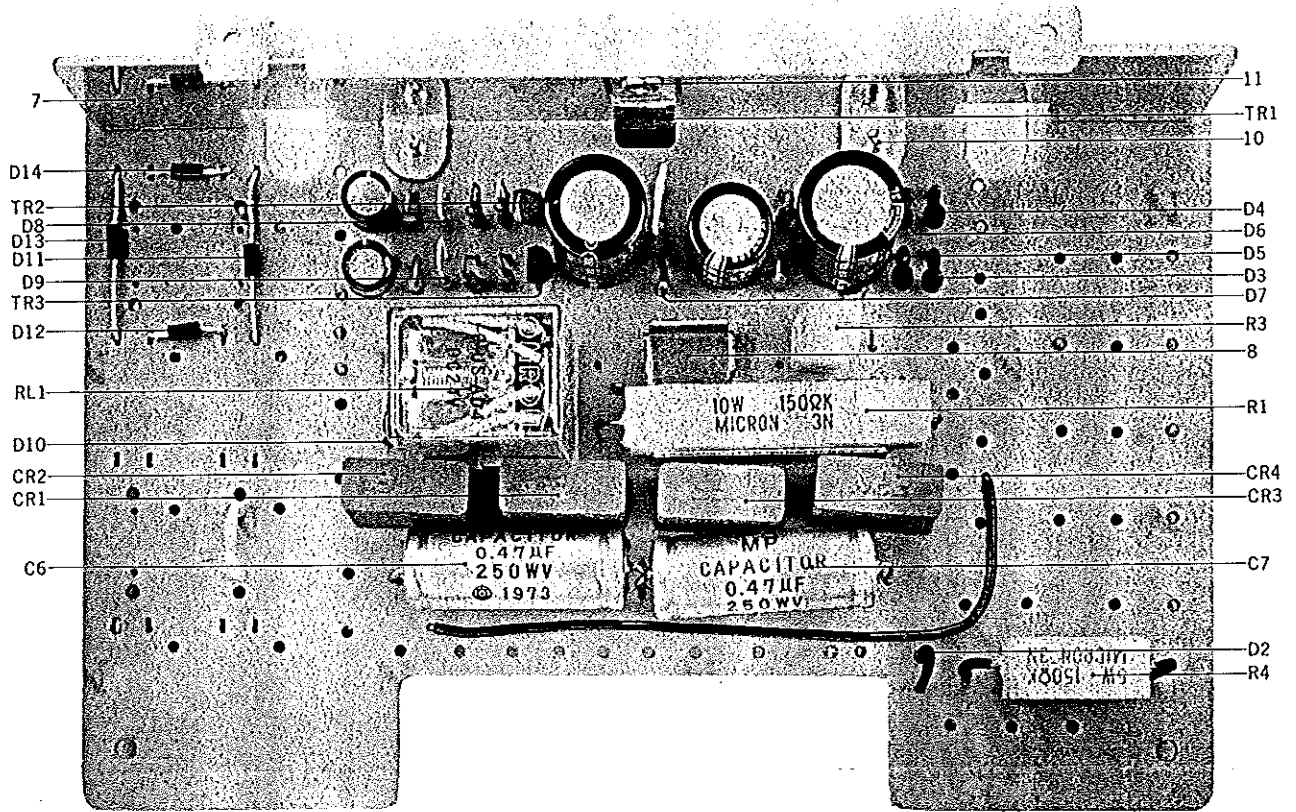


DOLBY P.C. BOARD (TD-5301) BLOCK

Symbol No.	Parts No.	Description	Q'ty	Symbol No.	Parts No.	Description	Q'ty
14-1x	BA588003	Dolby P.C. Board Comp. (TD-5301)	1			Resistor, Stopper Type	
14-TR1	ET234854	Transistor 2SC458LG(C)	2	14-R1	ER419556	Carbon RD1/4 43k(J)	2
14-TR2	ET329218	Transistor 2SC458(C)	2	14-R2	ER336442	Carbon RD1/4 10k(J)	2
14-TR3	ET352146	Transistor 2SC458LG(D)	2	14-R3	ER306887	Carbon RD1/4 15k(J)	2
14-TR4	ET329218	Transistor 2SC458(C)	2	14-R4	ER346601	Carbon RD1/4 47k(J)	2
14-TR5	ET391051	FET 2SK30A(GR)	2	14-R5	ER429996	Carbon RD1/4 470k(J)	2
14-TR6	ET234854	Transistor 2SC458LG(C)	2	14-R6	ER212477	Carbon RD1/4 3.3k(J)	2
14-TR7	ET350335	Transistor 2SA564(Q)	2	14-R7	ER304402	Carbon RD1/4 470(J)	2
14-TR8	ET329218	Transistor 2SC458(C)	2	14-R8	ER212264	Carbon RD1/4 22k(J)	2
14-D1	ED219464	Germanium Diode 1N34A	2	14-R9	ER336442	Carbon RD1/4 10k(J)	2
14-D2	ED491130	Zener Diode WZ-085	2	14-R10	ER343078	Carbon RD1/4 2.7k(J)	2
14-D3, 4	ED560913	Silicon Diode 1S2473 VE	4	14-R11	ER349907	Carbon RD1/4 33k(J)	2
14-D5	ED219464	Germanium Diode 1N34A	2	14-R12	ER397570	Carbon RD1/4 150k(J)	2
14-D6	ED560913	Silicon Diode 1S2473 VE	2	14-R13	ER212174	Carbon RD1/4 180k(J)	2
14-VR1	EV523620	Semi-Fixed/Vol. V8K4-1 500 ΩB	2	14-R14	ER212264	Carbon RD1/4 22k(J)	2
14-VR2	EV464207	Semi-Fixed/Vol. V8K4-1 5 kB	2	14-R15	ER357570	Carbon RD1/4 150k(J)	2
14-L1	EO496350	Inductor 146LY 36 MH(J)	2	14-R16	ER212264	Carbon RD1/4 22k(J)	2
14-2	EJ363126	P.C.Board Terminal	2	14-R17	ER349942	Carbon RD1/4 8.2k(J)	2
		Capacitor, Vertical Type		14-R18	ER343078	Carbon RD1/4 2.7k(J)	2
14-C1	EC320051	Elect. 10μF 16WV	2	14-R19	ER458728	Carbon RD1/2 100(J)	2
14-C2	EC350875	Mylar 0.001μF(J) 50WV	2	14-R20,21	ER349907	Carbon RD1/4 33k(J)	4
14-C3	EC336194	VFM 270PF(J) 50WV	2	14-R22	ER357535	Carbon RD1/4 39k(J)	2
14-C4, 5,6	EC320051	Elect. 10μF 16WV	6	14-R23	ER212477	Carbon RD1/4 3.3k(J)	2
14-C7	EC313121	Elect. 220μF 25WV	2	14-R24	ER349942	Carbon RD1/4 8.2k(J)	2
14-C8	EC329883	Mylar 0.0056μF(J) 50WV	2	14-R25	ER306843	Carbon RD1/4 1.2k(J)	2
14-C9	EC329861	Mylar 0.027μF(J) 50WV	2	14-R26	ER430097	Carbon RD1/4 680k(J)	2
14-C10	EC337500	Mylar 0.0047μF(J) 50WV	2	14-R27	ER357456	Carbon RD1/4 2.2k(J)	2
14-C11	EC320051	Elect. 10μF 16WV	2	14-R28	ER306887	Carbon RD1/4 15k(J)	2
14-C12	EC379170	Mylar 0.1μF(J) 50WV	2	14-R29to31	ER349942	Carbon RD1/4 8.2k(J)	6
14-C13	EC320040	Elect. 47μF 16WV	2	14-R32	ER336442	Carbon RD1/4 10k(J)	2
14-C14	EC290520	VFM 100PF(J) 50WV	2	14-R33	ER349907	Carbon RD1/4 33k(J)	2
14-C15	EC320051	Elect. 10μF 16WV	2	14-R34	ER450011	Carbon RD1/4 120k(J)	2
14-C16	EC379170	Mylar 0.1μF(J) 50WV	2	14-R35	ER346601	Carbon RD1/4 47k(J)	2
14-C17	EC320051	Elect. 10μF 16WV	2	14-R36	ER343078	Carbon RD1/4 2.7k(J)	2
14-C18,19	EC379170	Mylar 0.1μF(J) 50WV	4	14-R37	ER211465	Carbon RD1/4 1k(J)	2
14-C20	EC395504	Mylar 0.33μF(K) 50WV	2	14-R38	ER380913	Carbon RD1/4 33(J)	2
				14-R39	ER361642	Carbon RD1/4 47(J)	2
				14-R40	ER306887	Carbon RD1/4 15k(J)	2
				14-R41,42	ER426857	Carbon RD1/4 270k(J)	4
				14-R43	ER380711	Carbon RD1/4 220k(J)	2

When ordering parts, please describe Parts Number, Serial Number, and Model Number in detail.

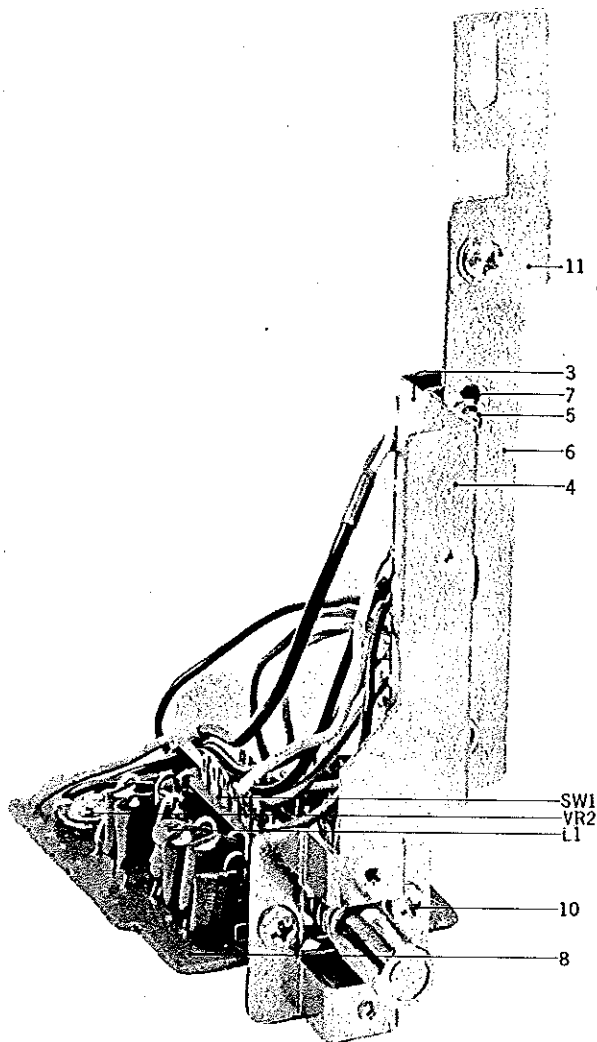
FIG. 15 PHOTO OF POWER SUPPLY P.C. BOARD (TD-2060) BLOCK



**POWER SUPPLY P.C. BOARD
(TD-2060) BLOCK**

Symbol No.	Parts No.	Description	Q'ty	Symbol No.	Parts No.	Description	Q'ty
15-1x	BA587698	Power Supply P.C. Board Comp. (TD-2060)	1			Capacitor, Vertical Type	
15-2x	BA589847	Power Supply P.C. Board Comp. (TD-2060)(UL)	1	15-C1	EC403468	Elect. 330µF 50WV	1
15-3x	BA587711	Power Supply P.C. Board Comp. (TD-2060)(EC, JPN)	1	15-C2	EC372148	Elect. 220µF 35WV	1
15-4x	BA587700	Power Supply P.C. Board Comp. (TD-2060) (pro)	1	15-C3	EC331817	Elect. 470µF 25WV	1
15-5x	BA589858	Power Supply P.C. Board Comp. (TD-2060) (pro-UL)	1	15-C4, 5	EC220612	Elect. 33µF 25WV	2
15-6x	BA587722	Power Supply P.C. Board Comp. (TD-2060) (pro-EC, JPN)	1	15-C6, 7	EC350987	MP 0.47µF(M) 250VAC(Tub. type)	2
15-TR1	ET517375	Transistor 2SD360(D)(E)	1	15-R1	ER573524	Resistor, Stopper Type Cement 10W 150(K) (Wire-wound type)	1
15-TR2, 3	ET453486	Transistor 2SC711(E)(F)	2	15-R3	ER535948	Cement 5W 10(K)	1
15-D2	ED224550	Silicon Diode 10D4	1	15-R4	ER573715	Cement 5W 150(K) (Wire-wound type)	1
15-D3 to 6	ED494583	Silicon Diode 10D05	4	15-R5	ER306843	Carbon RD1/4 1.2k(J)	1
15-D7	ED511918	Zener Diode WZ-240	1	15-R6	ER211667	Carbon RD1/4 100(J)	2
15-D8 to 10	ED560913	Silicon Diode 1S2473 VE	3	15-R8	ER211465	Carbon RD1/4 1k(J)	1
15-D11 to 14	ED224550	Silicon Diode 10D4	4	15-R9	ER336442	Carbon RD1/4 10k(J)	1
15-RL1	EP344136	Relay MY4-0-US-AD4 24V	1	15-R10	ER380711	Carbon RD1/4 220k(J)	1
15-CR1 to 4	ER376435	Spark Quencher U/L 0.1µ+120Ω 250WV	4	15-R11	ER211667	Carbon RD1/4 100(J)	1
15-7	EZ581624	Heat-sink Plate	1	15-R12	ER362485	Carbon RD1/4 330k(J)	1
15-8	EZ580623	Cement/R. Base	1	15-R13	ER212883	Carbon RD1/4 4.7k(J)	1
15-9x	ZS413155	Screw, binding head 3x6	2				
15-10	ZS447840	Tapping Screw #2 3x8(BR)	2				
15-11	ZS413741	Screw, binding head 3x8	1				
15-12x	ZW273756	Nut M3	1				
15-13x	EJ580825	Fuse Hodler	14				
15-14x	EZ581804	Insulator Barrier 2	1				

FIG. 16 PHOTO OF
SPEED CHANGE/SRT P.C. BLOCK

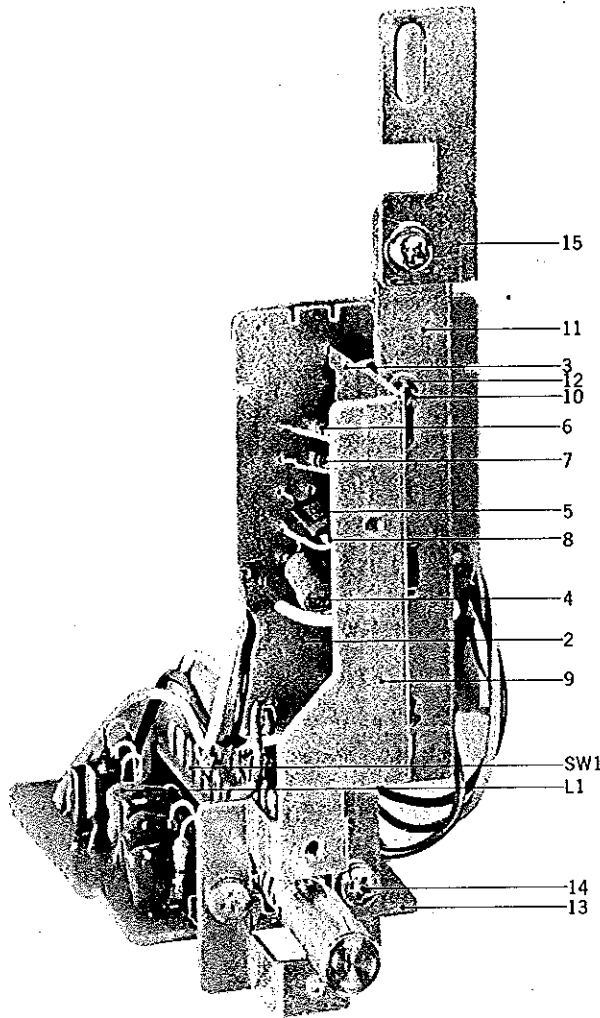


SPEED CHANGE/SRT P.C. BLOCK

Symbol No.	Parts No.	Description	Q'ty
SPEED CHANGE SW. P.C. BLOCK			
16-1x	BA587878	Speed Change SW. P.C. Block Comp.	1
16-2x	BA587891	Speed Change SW. P.C. Block Comp. (DB)	1
16-3	ES574446	Slide SW. SSBO8223	1
16-4	EZ580871	SW. Retaining Parts	1
16-5	VM422381	Slide Plate Shaft	2
16-6	EZ580860	Speed SW. Lever	1
16-7	ZW357164	'E' Ring 2.3M	2
16-8	BA587913	SRT P.C. Board B(TD-5201) Comp.	1
16-9x	BA587924	SRT P.C. Board B(TD-5201) Comp. (DB)	1
16-10	ZS371856	ISO Screw, binding head 3x5	2
16-11	SZ580735	Speed Change Plate	1
SRT P.C. BOARD B (TD-5201) BLOCK			
16-8	BA587913	SRT P.C. Board B (TD-5201) Comp.	1
16-9x	BA587924	SRT P.C. Board B (TD-5201) Comp. (DB)	1
16-SW1	ES573671	Push SW. 1FST-6U-122-3	1
16-VR1, 2	EV522797	Semi-Fixed/Vo. V8K4-1 20k(B) (DB)	1
16-L1	EO369178	Ferri Inductor FL7H 1.5MH(J)	2
Capacitor, Vertical Type			
16-C1	EC329861	Mylar 0.027 μ F(J) 50WV	2
16-C2	EC379214	Mylar 0.047 μ F(J) 50WV	2
16-C3	EC368335	Mylar 0.022 μ F(J) 50WV	2
16-C4	EC379214	Mylar 0.047 μ F(J) 50WV	2
16-C5	EC379192	Mylar 0.039 μ F(J) 50WV	2
Resistor, Stopper Type			
16-R1	ER349784	Carbon RD1/4 390(J)	2
16-R2	ER213120	Carbon RD1/4 56(J)	2
16-R3	ER362441	Carbon RD1/4 1.8k(J)	2
16-R4	ER406923	Carbon RD1/4 75(J)	2
16-R5	ER380913	Carbon RD1/4 33(J)	2
16-R6	ER430053	Carbon RD1/4 22(J)	2

When ordering parts, please describe Parts Number, Serial Number, and Model Number in detail.

FIG. 17 PHOTO OF SPEED CHANGE/SRT P.C. BLOCK (PRO)

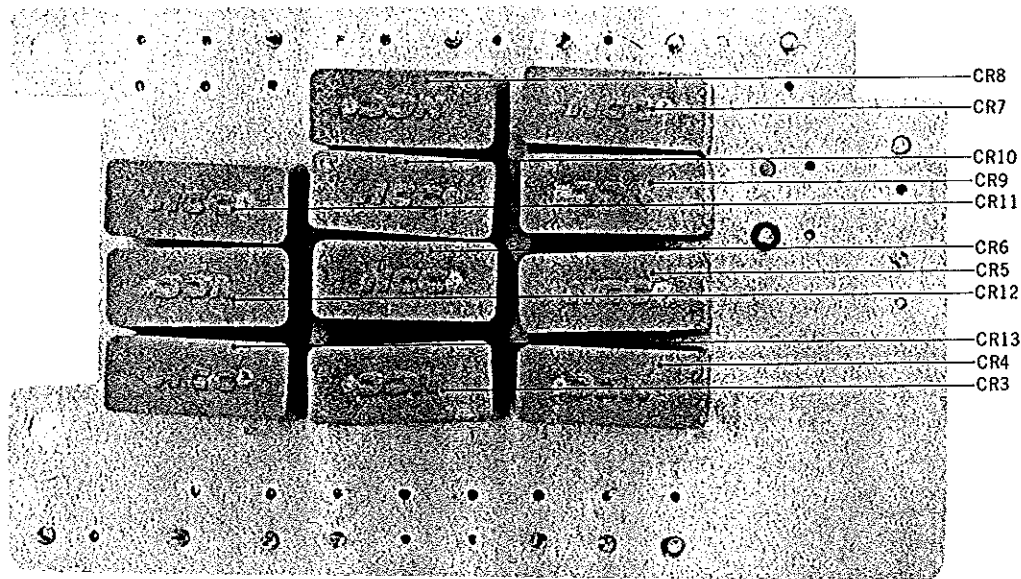


SPEED CHANGE/SRT P.C. BLOCK (PRO)

Symbol No.	Parts No.	Description	Q'ty
SPEED CHANGE SW. P.C. BLOCK			
17-1x	BA587880	Speed Change SW. P.C. Block Comp. (PRO)	1
17-2	EA581758	Speed Change SW. P.C. Board	1
17-3	ES520672	Slide SW. SL-282B4	1
17-4	EO379923	Ferri Inductor FL7H 8.2 mH(J)	2
17-5	EC250841	Mylar/C. 0.01 μ F(J) 50WV (Vert. type)	2
17-6	ER380913	Carbon/R. RD1/4 33(J) (Stop. type)	2
17-7	ER211667	Carbon/R. RD1/4 100(J) (Stop. type)	2
17-8	ER350065	Carbon/R. RD1/4 430(J) (Stop. type)	2
17-9	EZ580871	SW. Retaining Parts	1
17-10	VM422381	Slide Plate Shaft	2
17-11	EZ580860	Speed SW. Lever	1
17-12	ZW357164	'E' Ring 2.3M	2
17-13	BA587902	SRT P.C. Board A (TD-5006) Comp. (PRO)	1
17-14	ZS371856	ISO Screw, binding head 3x5	2
17-15	SZ580735	Speed Change Plate	1
SRT P.C. BOARD A (TD-5006) BLOCK			
17-13	BA587902	SRT P.C. Board A (TD-5006) Comp. (PRO)	1
17-SW1	ES573671	Push SW. 1FST-6U-122-3	1
17-L1	EO369178	Ferri Inductor FL7H 1.5MH(J)	2
Capacitor, Vertical Type			
17-C1	EC250841	Mylar 0.01 μ F(J) 50WV	2
17-C2	EC411827	Mylar 0.0082 μ F(J) 50WV	2
17-C3	EC329861	Mylar 0.027 μ F(J) 50WV	2
17-C4	EC379214	Mylar 0.047 μ F(J) 50WV	2
17-C5	EC368335	Mylar 0.022 μ F(J) 50WV	2
Resistor, Stopper Type			
17-R1	ER213096	Carbon RD1/4 510(J)	2
17-R2	ER349784	Carbon RD1/4 390(J)	2
17-R3, 4	ER380913	Carbon RD1/4 33(J)	4
17-R5	ER213120	Carbon RD1/4 56(J)	2
17-R6	ER362441	Carbon RD1/4 1.8k(J)	2
17-R7	ER406923	Carbon RD1/4 75(J)	2

When ordering parts, please describe Parts Number, Serial Number, and Model Number in detail.

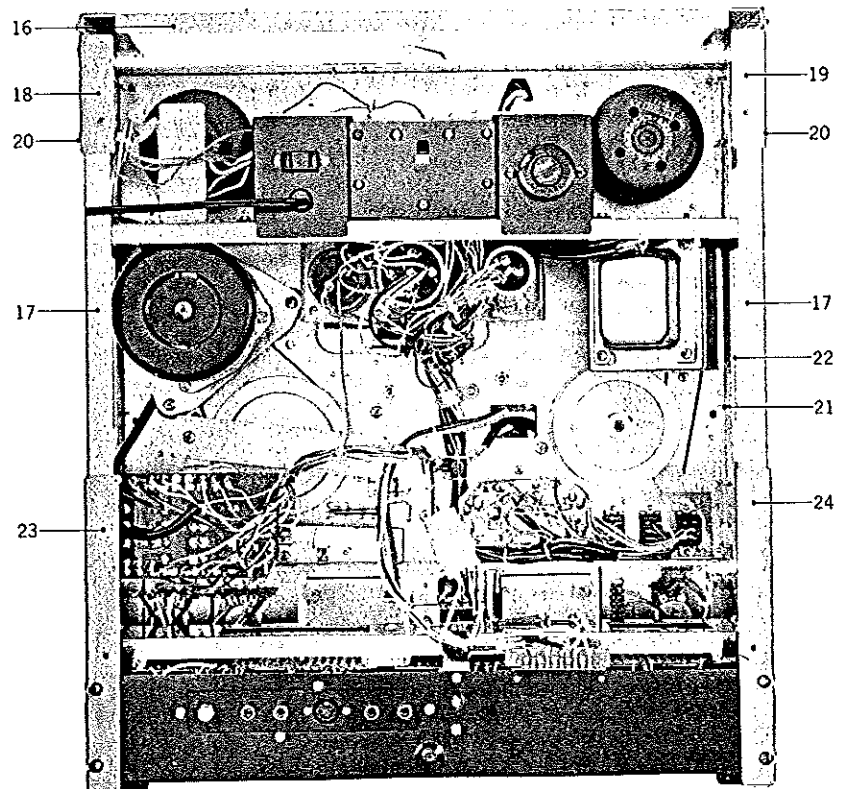
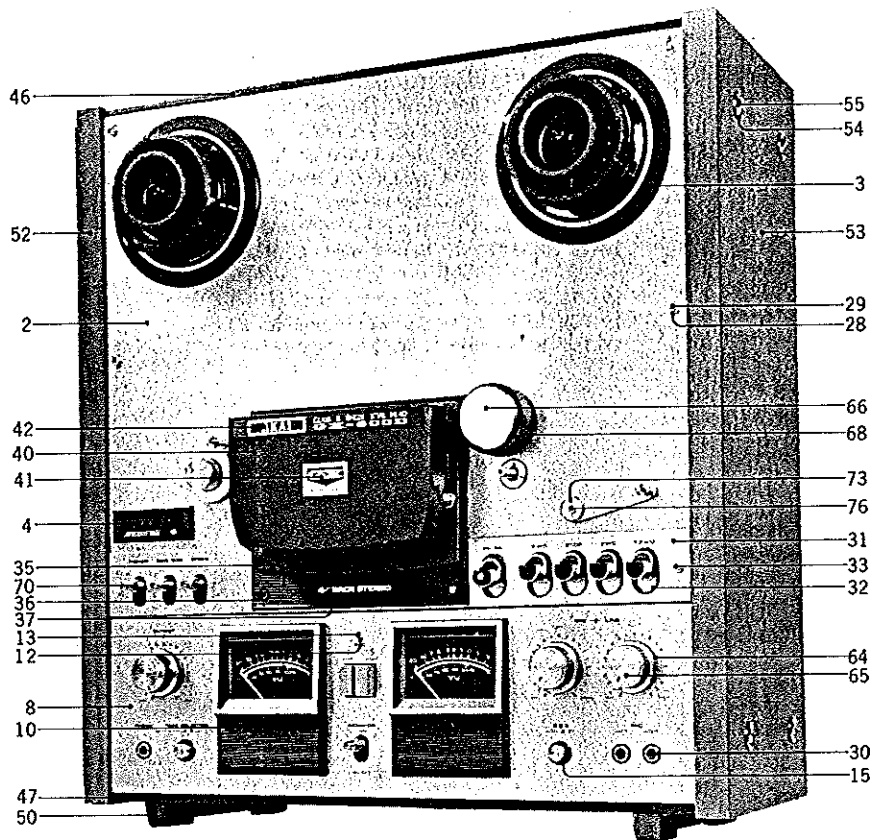
FIG. 18 PHOTO OF SPARK QUENCHER P.C. BOARD (A) (TD-2086) BLOCK



SPARK QUENCHER P.C. BOARD (A)
(TD-2086) BLOCK

Symbol No.	Parts No.	Description	Q'ty
18-1x	BA587586	Spark Quencher P.C. Board (A) Comp. (TD-2086)	1
18-CR3to13	ER376435	Spark Quencher U/L 0.1 μ +120 Ω 250WV	18

FIG. 19 PHOTO OF FINAL ASSEMBLY BLOCK



FINAL ASSEMBLY BLOCK

Ref. No.	Parts No.	Description	Schematic No.	Q'ty	Ref. No.	Parts No.	Description	Schematic No.	Q'ty
MECH. PANEL BLOCK									
19-1x	BZ587373	Mech. Panel Block Comp.	TD	1	19-67x	SK534374	Pinch Roller Cap (PRO)	TW-6019	1
19-2	SP581455	Mech. Panel	TD-6001	1	19-68	MP582164	Pinch Roller D=42	TD-1034	1
19-3	SE581602	Reel Table Escutcheon 2	TD-6021	2	19-69x	MP533744	Pinch Roller TW D=36 (PRO)	TW-1040	1
19-4	SE528906	Counter Escutcheon	ND-6008	1	19-70	SK581837	Amp. Knob 1-B	CP-5018	3
19-5x	ZW575730	Speed Nut (P Type) 3M	6-3-6	8	19-71x	EF563681	Fuse 1A 250V	39-1-50	1
AMP. PANEL BLOCK									
19-6x	BZ587384	Amp. Panel Block Comp.	TD-1, 2	1	19-72x	SZ580735	Speed Change Plate	TD-2073	1
19-7x	BZ587395	Amp. Panel Block Comp. (DB)	TD-3	1	19-73	ZW535094	Decorative Washer	TW-2077	1
19-8	SP581422	Amp. Panel A	TD-6004	1	19-74x	ZW575785	Washer (Nylon) D6.5x10.3x0.5t		1
19-9x	SP581512	Amp. Panel B (DB)	TD-6004	1	19-75x	ZW260010	Washer (PBP) D6.1x10x0.1t		2
19-10	SZ473815	VU Meter Cover	KH-6020	2	19-76	ZS575796	Screw, oval countersunk head 3x5		1
19-11x	ZS355500	Screw, binding head 2.6x5		6	19-77x	SZ581141	Protector Plate (JPN)	TD-1062	1
19-12	SZ457806	Lens Holder	55-5013	1	19-78x	ZS355511	Screw, binding head 3x6		2
19-13	EL569878	Lamp Lense A-2 (Red)	55-5011	1	19-79x	EF563703	Fuse 2A 250V	39-1-50	1
19-14x	ZW405865	Washer (Nylon) D5.2x10.3x0.5t		1					
19-15	SE569744	Knob Escutcheon	TD-6017	2					
FINAL ASSEMBLY BLOCK									
19-16	SZ529920	Reinforcement Angle A	ND-6003	1					
19-17	SZ529086	Reinforcement Angle B	ND-6004	2					
19-18	SZ581534	Mech. Side Plate A (Right)	TD-6006	1					
19-19	SZ581545	Mech. Side Plate B (Left)	TD-6006	1					
19-20	ZS419736	Screw, binding head 4x6		8					
19-21	ZS447840	Tapping Screw #2 3x8 (BR)		12					
19-22	SZ581040	Panel Support	TD-6012	2					
19-23	MZ529931	Mech. Side Plate C (Right)	ND-6002	1					
19-24	MZ529942	Mech. Side Plate D (Left)	ND-6002	1					
19-25x	SZ581218	Amp. Panel Support A (Right)	TD-6018	1					
19-26x	SZ581220	Amp. Panel Support B (Left)	TD-6018	1					
19-27x	ZS447772	Tapping Screw #2 3x6 (BR)		6					
19-28	ZW408418	Panel Washer	KD-6029	6					
19-29	ZS203084	Screw, oval countersunk head 3x8		4					
19-30	EZ436217	Collar For Jack	MC-5006	3					
19-31	SP581433	Control Panel	TD-6005	1					
19-32	SE581038	Operation Button Escutcheon	TD-6007	5					
19-33	ZS408690	Screw, oval countersunk head 3x10		2					
19-34x	ZS200687	Tapping Screw #2 3x6 (Round)		2					
19-35	SC581400	Head Cover Base	TD-6002	1					
19-36	ZW421740	Screw, pan head 3x8 (Black)		2					
19-37	SM581084	Name Plate (4TR)	TD-6024	1					
19-38x	SM581073	Name Plate (2TR)	TD-6023	1					
19-39x	SM495977	Name Plate (DB)	KD-A6207	1					
19-40	SC581411	Head Cover	TD-6003	1					
19-41	SM382285	GX Symbol Plate	RD-A633	1					
19-42	SM581062	Name Plate GX-600D	TD-6022	1					
19-43x	SM583323	Name Plate (DB)	TD-6031	1					
19-44x	ZW527670	Head Cover Retaining Ring	ND-6018	2					
19-45x	SZ529874	Head Cover Prop	ND-6014	2					
19-46	SP528748	Upper Plate	ND-6022	1					
19-47	SP528750	Lower Plate	ND-6022	1					
19-48x	SZ483737	Panel Washer B (Black)	KD-6029	4					
19-49x	ZS482815	Screw, oval countersunk head 3x8 (Black)		4					
19-50	SZ549516	ND Square Foot	ND-6041	2					
19-51x	ZS413245	Screw, pan head 4x15		4					
19-52	SP527692	Side Plate A (Right)	ND-6021	1					
19-53	SP527703	Side Plate B (Left)	ND-6021	1					
19-54	ZW548010	Spot Facing Washer	MU-6028	8					
19-55	ZS561295	Screw, binding head 4x25		8					
19-56x	SP581670	Rear Plate U	ND-6023	1					
19-57x	SP581657	Rear Plate A (UL)	ND-6023	1					
19-58x	SP581668	Rear Plate E (EC)	ND-6023	1					
19-59x	SP581501	Rear Plate J (JPN)	ND-6023	1					
19-60x	SA377190	Rubber Foot, LM	LM-404	4					
19-61x	ZW419646	Washer (SPC) D4.5x9.8x0.5t		4					
19-62x	ZS36444	Screw, binding head 4x18		4					
19-63x	ZS498273	Tapping Screw #2 3x8, w/washer		2					
19-64	SK549843	Double Knob A, w/rubber ring	TW-6304	3					
19-65	SK549876	Double Knob B, w/rubber ring	TW-6307	3					
19-66	SK581051	Pinch Roller Cap	TD-6013	1					

When ordering parts, please describe Parts Number, Serial Number, and Model Number in detail.

INDEX

Parts No.	Ref. No. & Symbol No.	Parts No.	Ref. No. & Symbol No.	Parts No.	Ref. No. & Symbol No.	Parts No.	Ref. No. & Symbol No.	Parts No.	Ref. No. & Symbol No.
ZW270088	3-18	ZW584043	5-10						
ZW270088	8-34	ZW589893	7-6						
ZW270088	10-6x								
ZW270088	10-84								
ZW270088	11-82								
ZW270101	7-7								
ZW270101	8-13								
ZW270101	11-33								
ZW270123	11-78								
ZW270134	2-14								
ZW270156	3-5								
ZW270156	6-12								
ZW272722	11-17								
ZW273688	11-65x								
ZW273745	1-11x								
ZW273756	6-15								
ZW273756	10-17								
ZW273756	11-63x								
ZW273756	5-12x								
ZW273835	1-10								
ZW273881	1-34								
ZW273881	9-21x								
ZW273914	1-13								
ZW280283	3-24								
ZW290283	6-34								
ZW290283	8-15								
ZW290283	10-35								
ZW317171	11-81								
ZW321592	5-5x								
ZW330412	2-15x								
ZW330412	4-22								
ZW330412	6-30x								
ZW330423	2-16x								
ZW330423	4-23x								
ZW330423	6-29x								
ZW330445	2-17x								
ZW345442	10-4								
ZW357164	11-102								
ZW357164	16-7								
ZW357164	17-12								
ZW379361	11-77								
ZW405865	19-14x								
ZW408418	19-28								
ZW410051	6-18								
ZW413190	4-24x								
ZW413190	6-28								
ZW413256	1-20								
ZW413785	3-17								
ZW416698	10-14								
ZW416698	10-25x								
ZW419646	19-61x								
ZW420682	10-74								
ZW420682	11-38								
ZW421097	7-5								
ZW430402	10-68								
ZW437804	4-6								
ZW462205	4-17								
ZW463397	11-58x								
ZW463408	11-57x								
ZW463410	11-5C								
ZW527670	19-44x								
ZW535094	19-73								
ZW544083	11-80								
ZW548010	19-54								
ZW550642	6-22								
ZW550642	8-33								
ZW554624	11-18								
ZW562476	3-19x								
ZW562757	8-16								
ZW573546	5-9								
ZW575684	5-15								
ZW575730	19-5x								
ZW575763	6-5								
ZW575774	6-16								
ZW575785	19-74x								
ZW580173	10-38								
ZW580173	10-80								
ZW580498	6-4								
ZW580678	6-14								
ZW581264	10-62x								