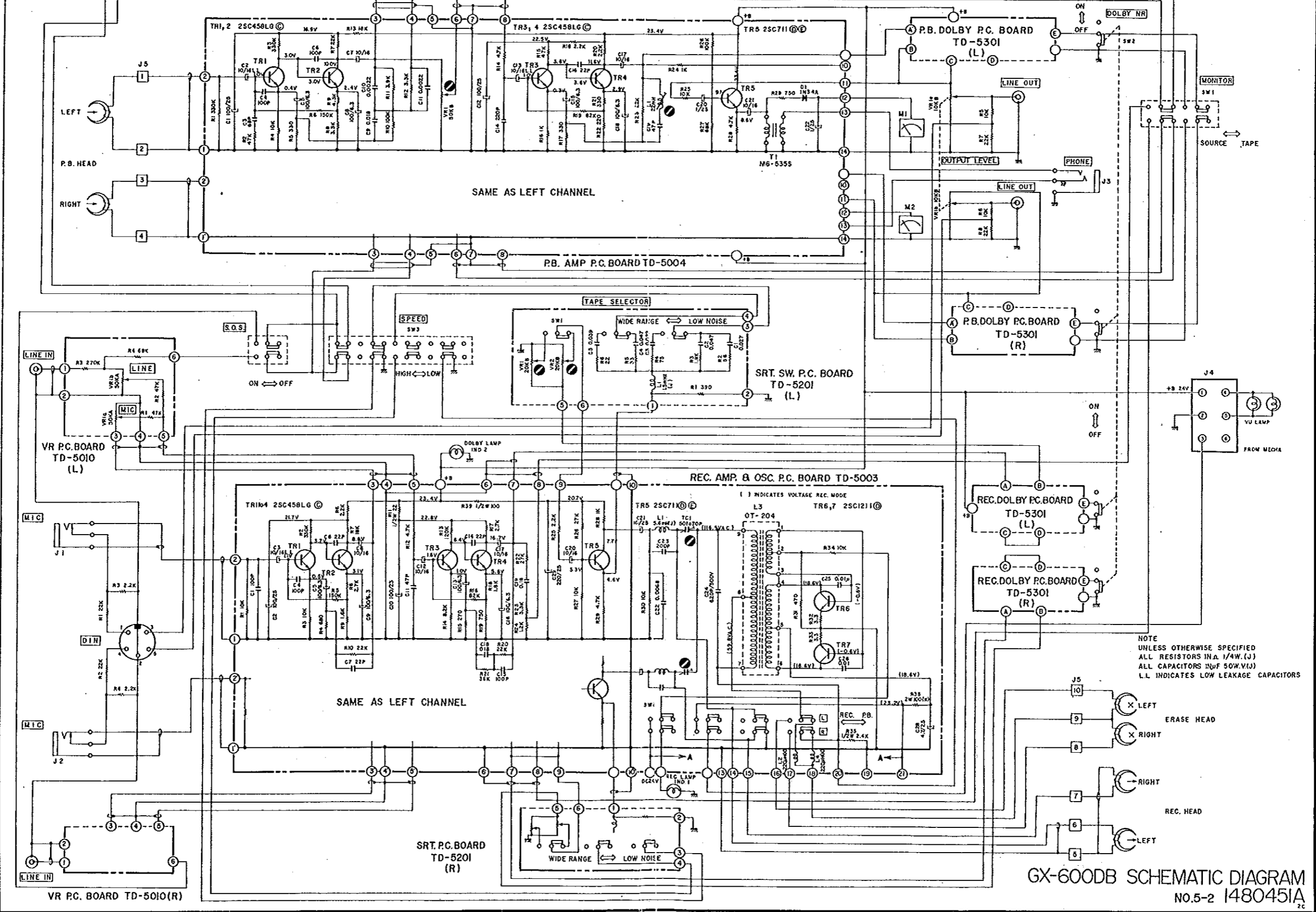


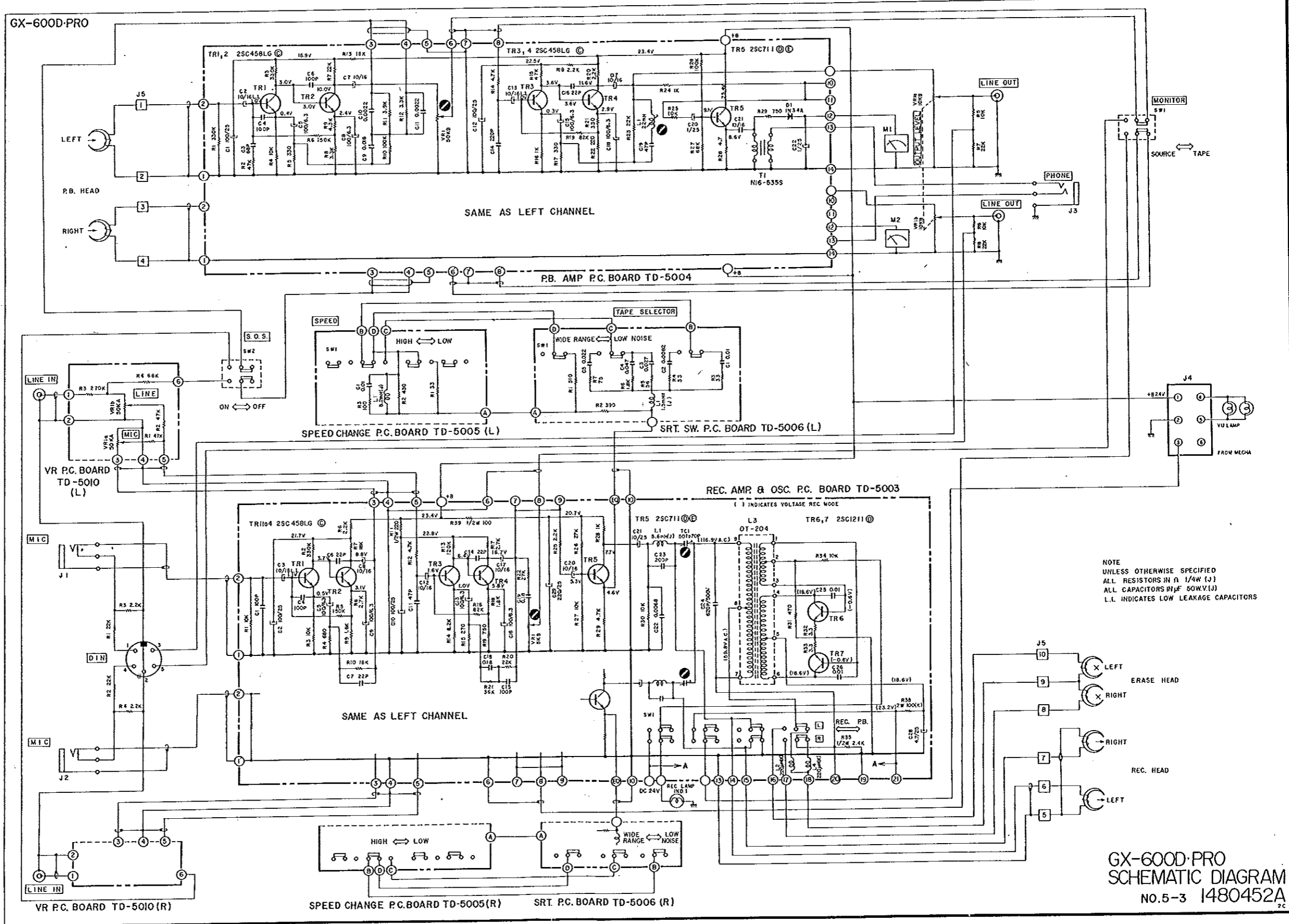
**GX-6000**  
**SCHEMATIC DIAGRAM**  
 NO.5-1 1480450A

GX-600DB



GX-600DB SCHEMATIC DIAGRAM No.5-2 1480451A

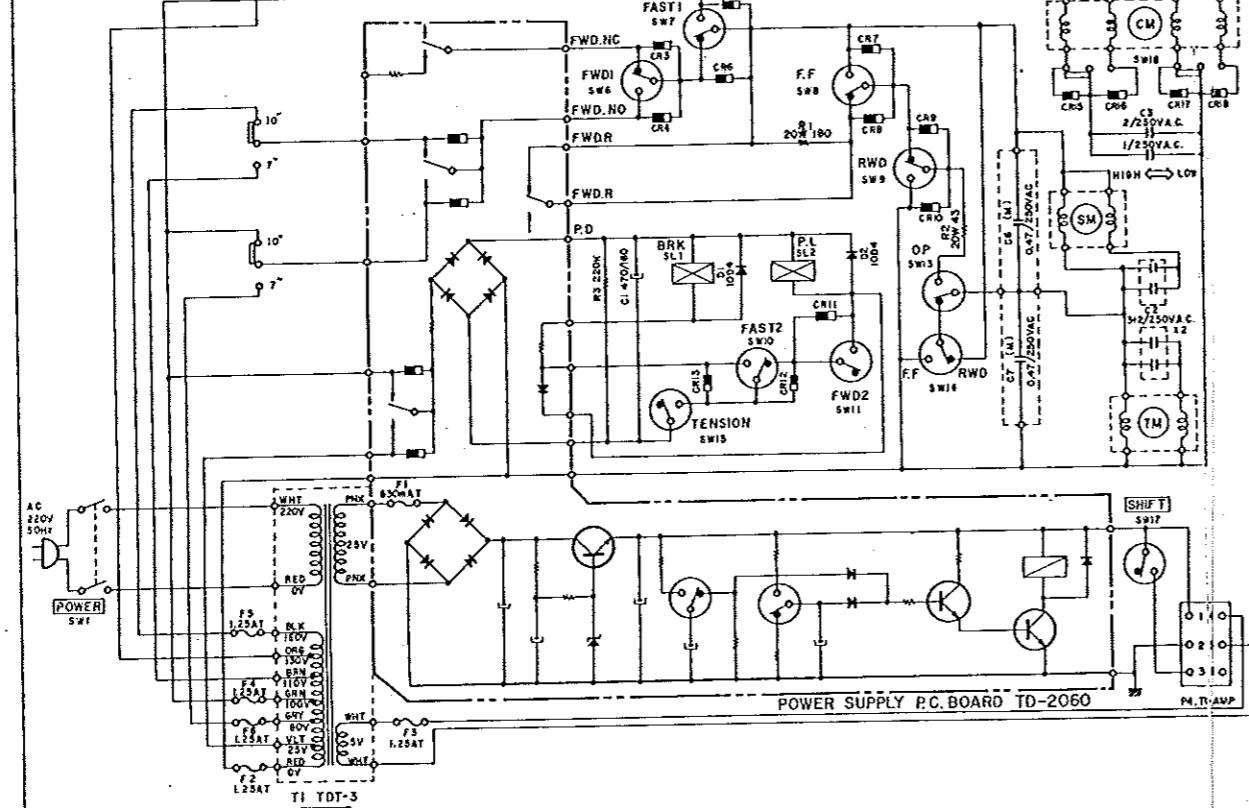
GX-600D-PRO



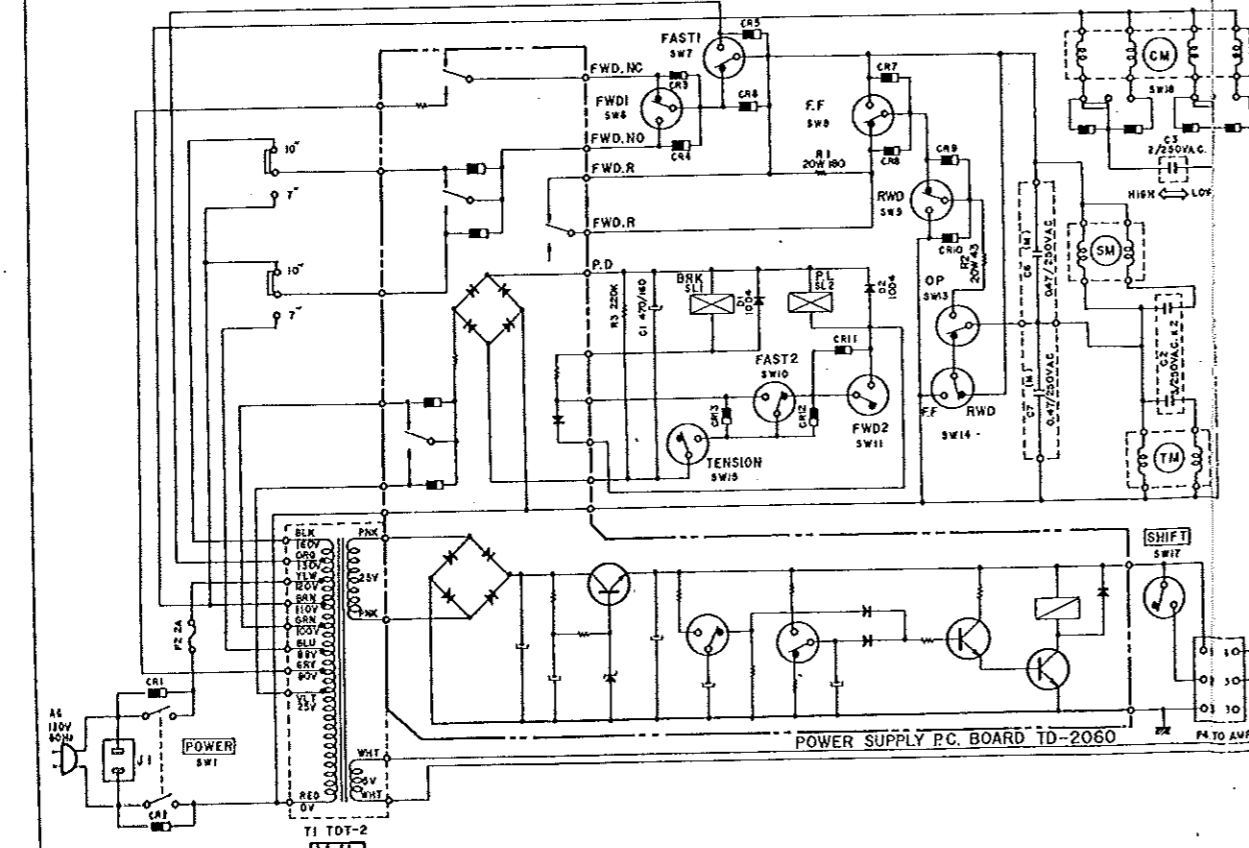
NOTE  
UNLESS OTHERWISE SPECIFIED  
ALL RESISTORS IN A 1/4W (J)  
ALL CAPACITORS IN 50WV (J)  
L.L. INDICATES LOW LEAKAGE CAPACITORS

GX-600D-PRO  
SCHEMATIC DIAGRAM  
NO.5-3 1480452A

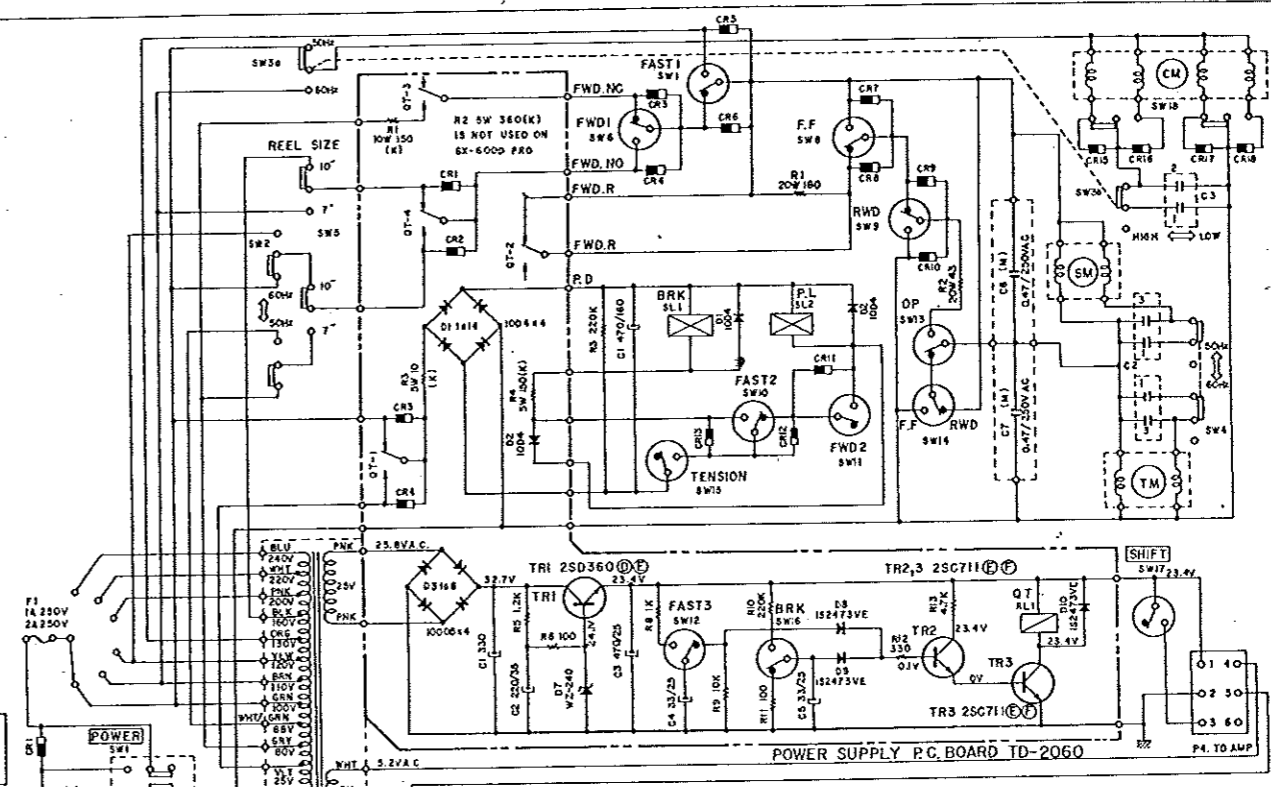
GX-6000/DB/PRO



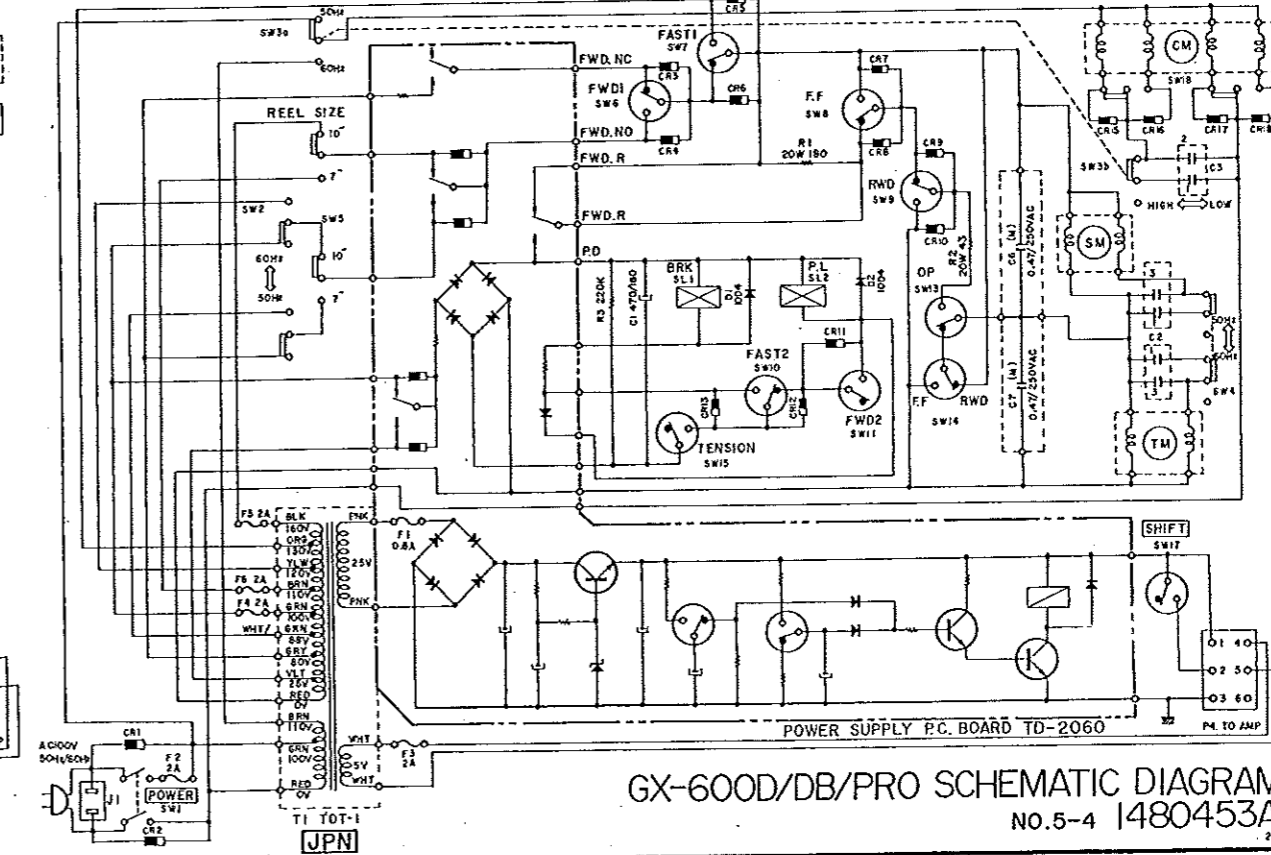
CEE



U/L



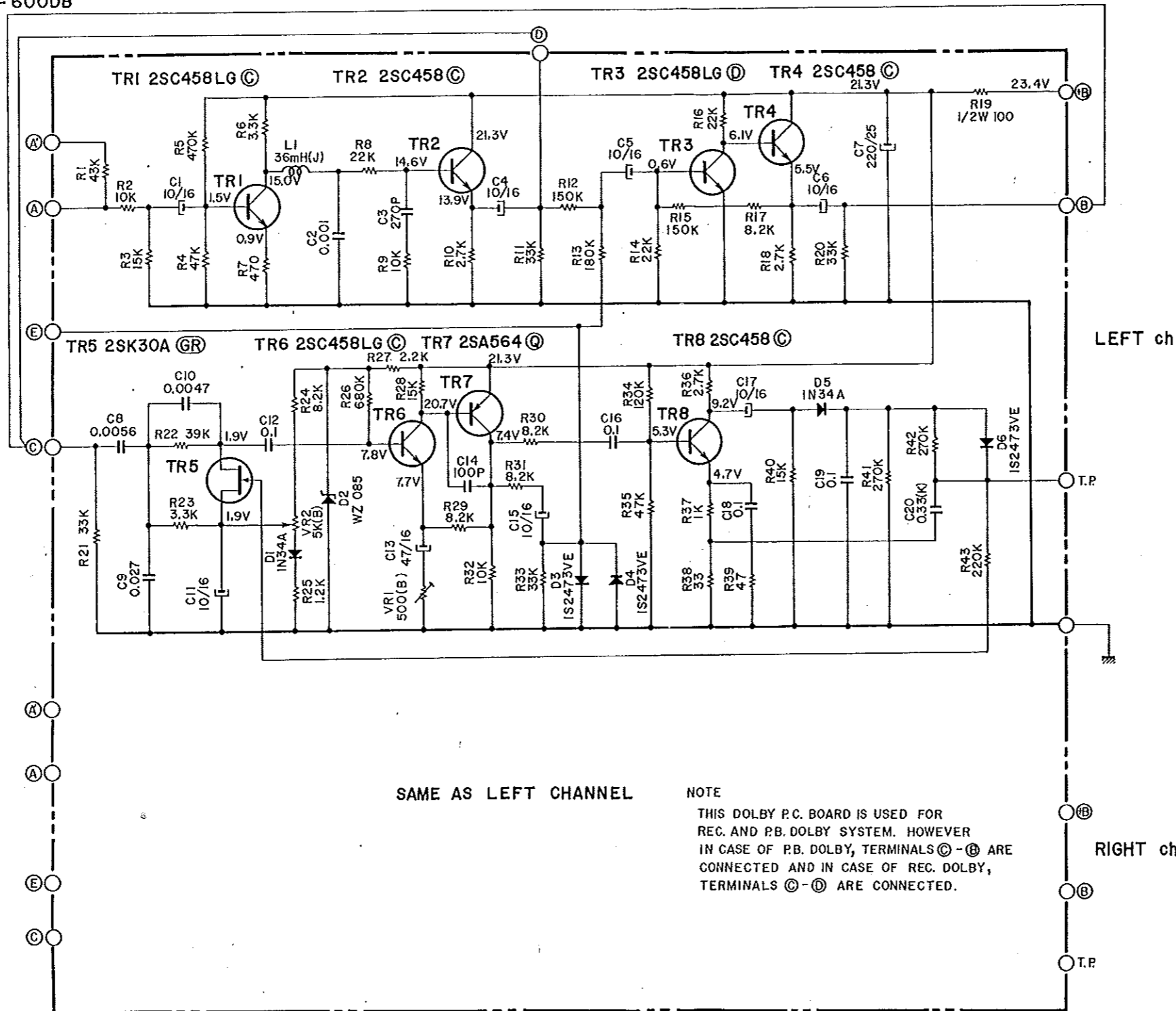
UNIVERSAL



JPN

GX-6000/DB/PRO SCHEMATIC DIAGRAM  
NO.5-4 1480453A

GX-600DB



SAME AS LEFT CHANNEL

NOTE

THIS DOLBY P.C. BOARD IS USED FOR REC. AND P.B. DOLBY SYSTEM. HOWEVER IN CASE OF P.B. DOLBY, TERMINALS ©-Ⓞ ARE CONNECTED AND IN CASE OF REC. DOLBY, TERMINALS Ⓞ-Ⓞ ARE CONNECTED.

NOTE  
UNLESS OTHERWISE SPECIFIED  
ALL RESISTORS IN Ω 1/4W.(J)  
ALL CAPACITORS IN μF 50W.V.(J)

DOLBY P.C. BOARD TD-530I

GX-600DB  
SCHEMATIC DIAGRAM  
NO.5-5 1480454A