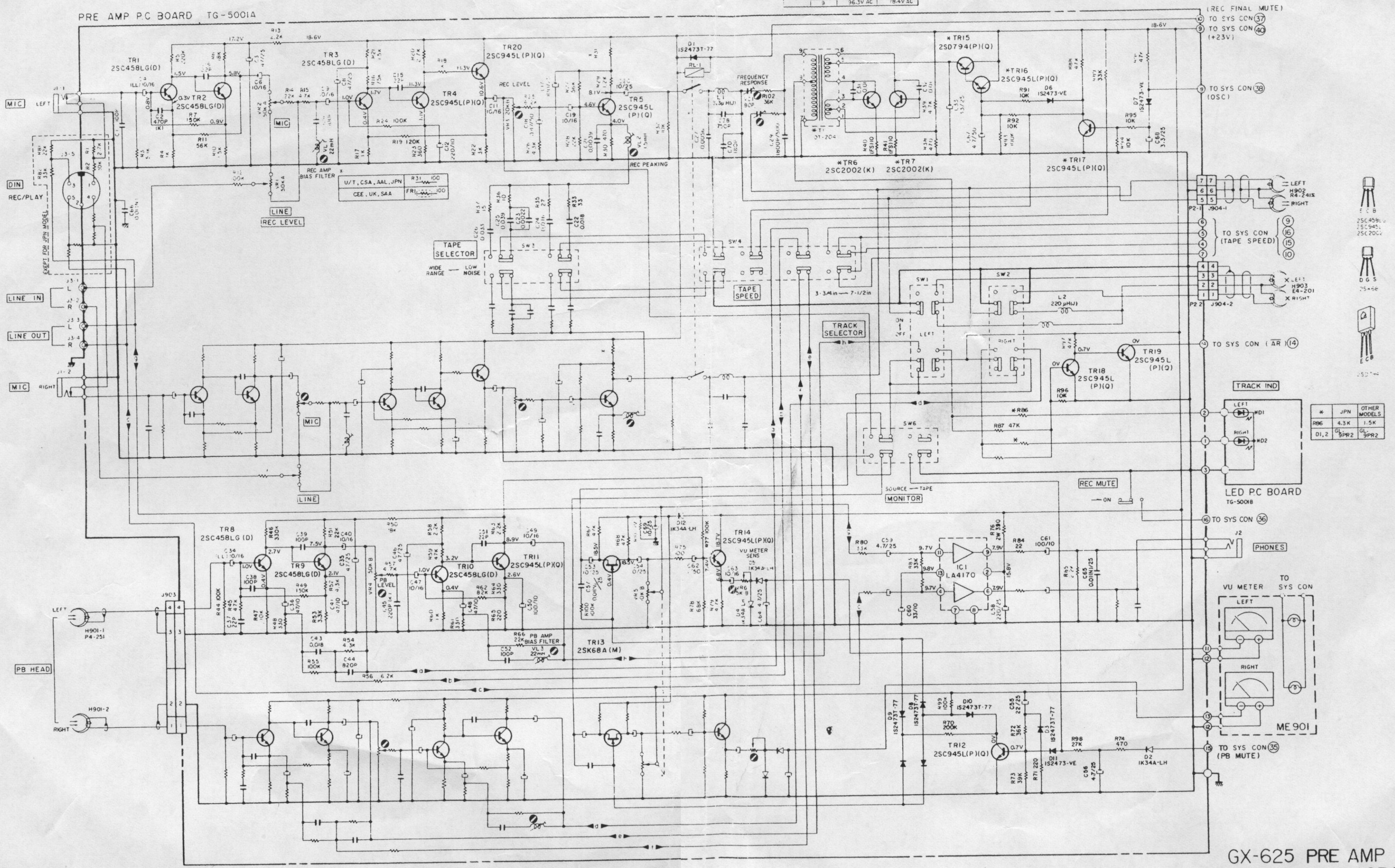


GX-625  
 POWER & SYS.CON  
 SCHEMATIC DIAGRAM  
 NO.3-1 1600444A

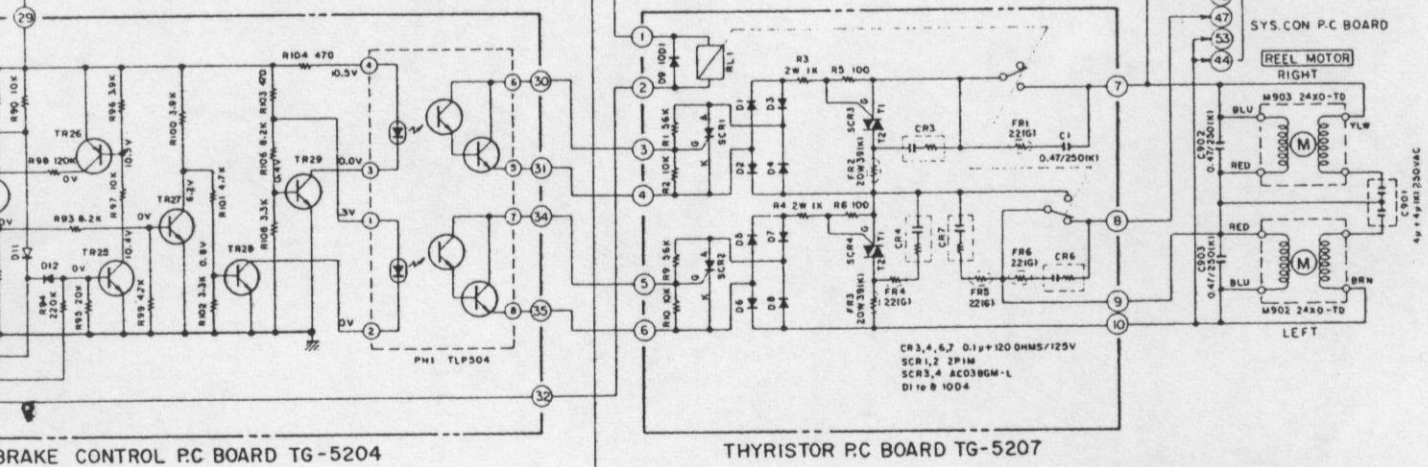
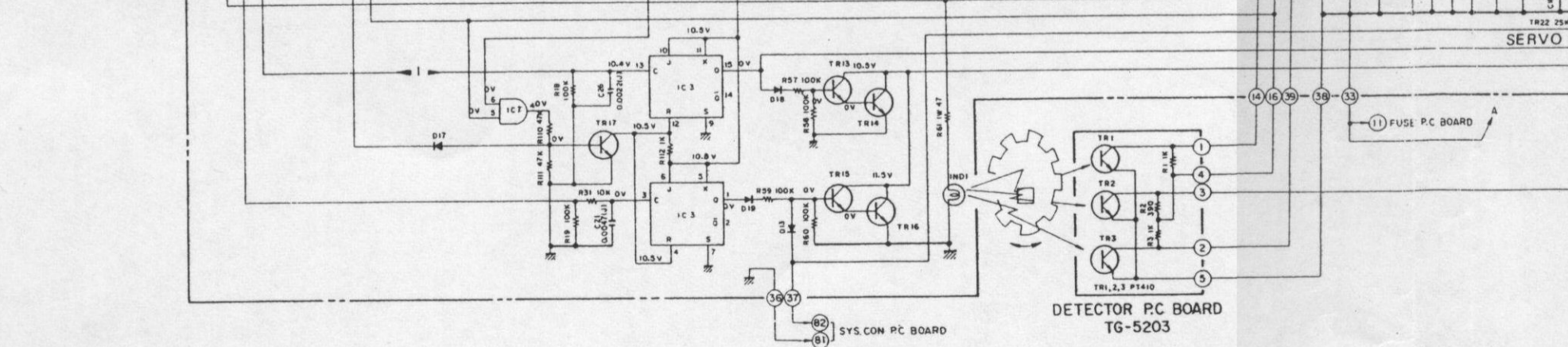
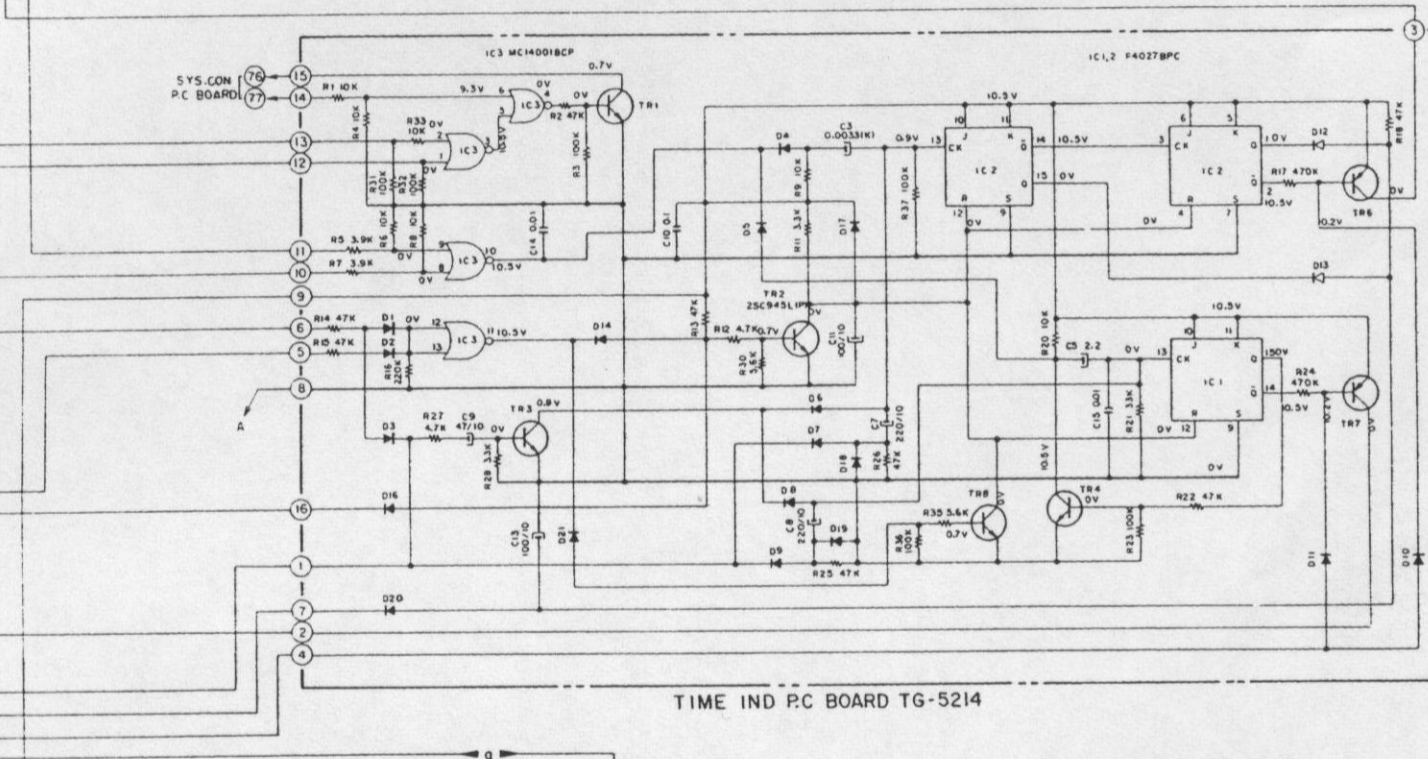
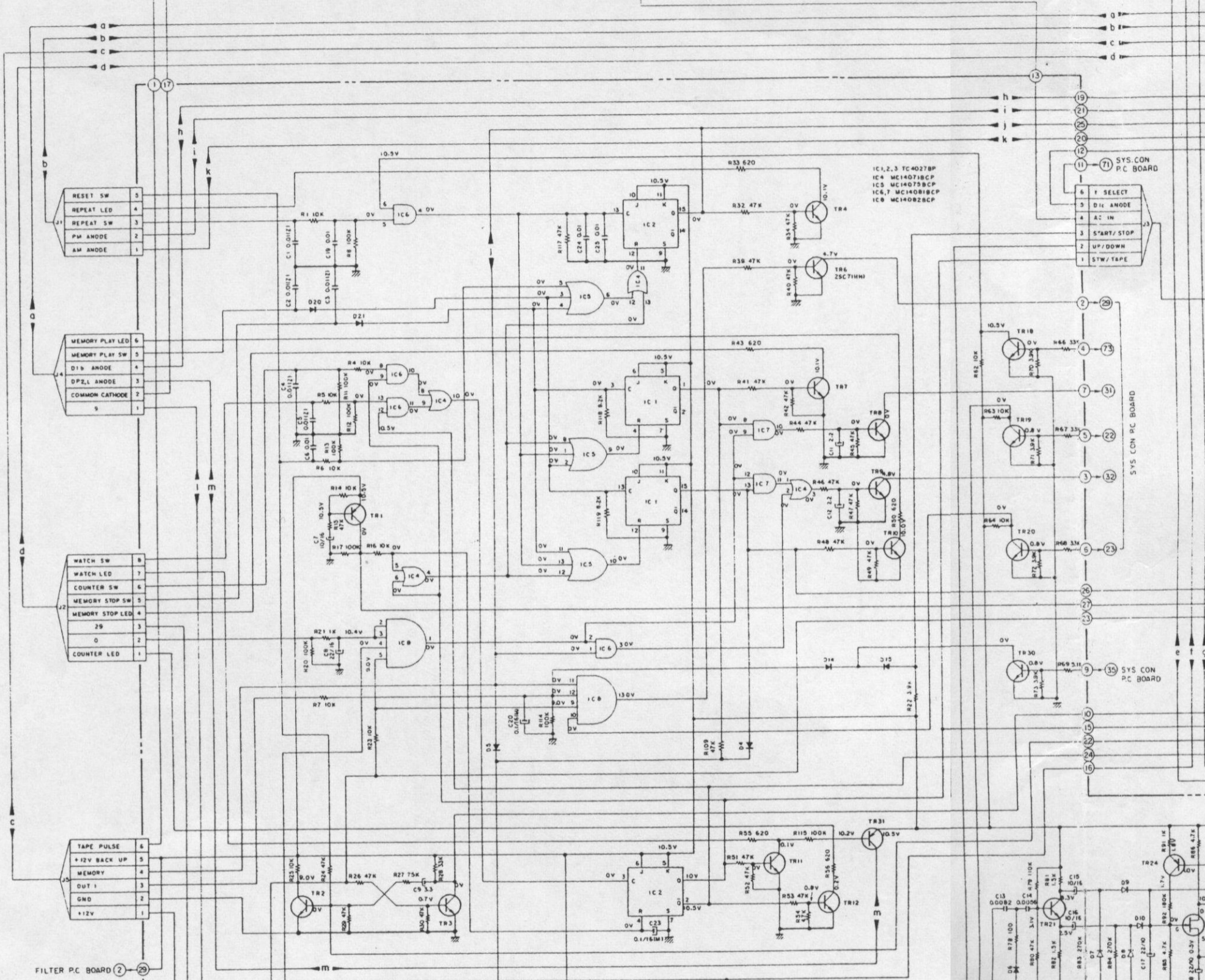
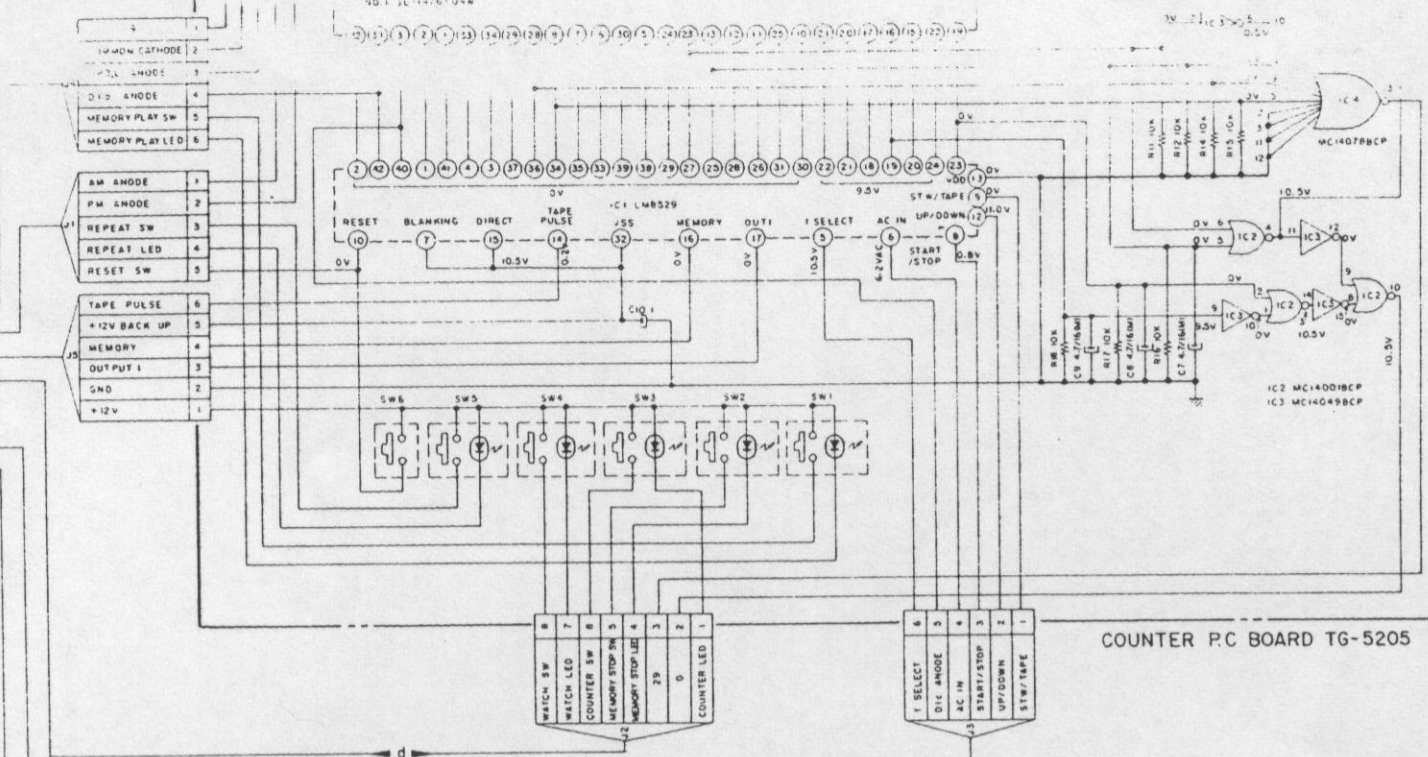
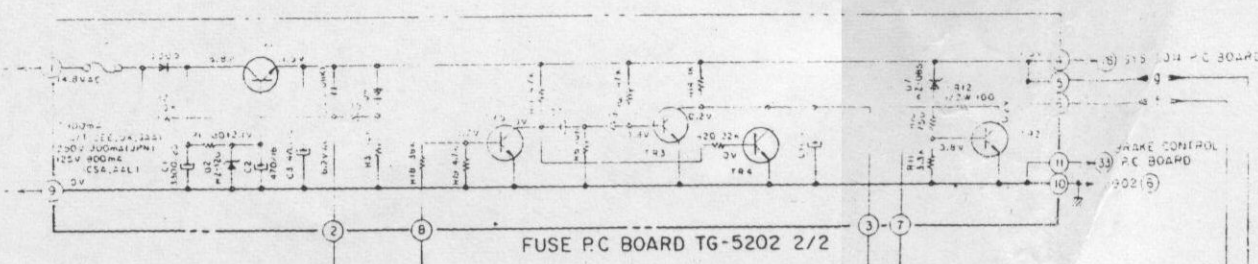
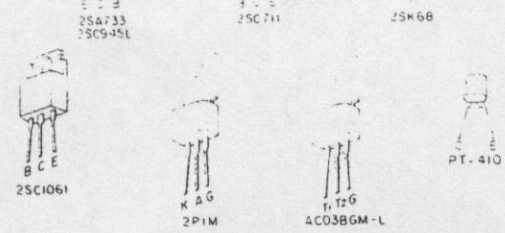
1	2.2	5.0
2	1.0	1.0
3	1.0	1.0
4	1.0	1.0
5	1.0	1.0
6	1.0	1.0
7	1.0	1.0
8	1.0	1.0
9	1.0	1.0
10	1.0	1.0

PRE AMP PC BOARD TG-5001A



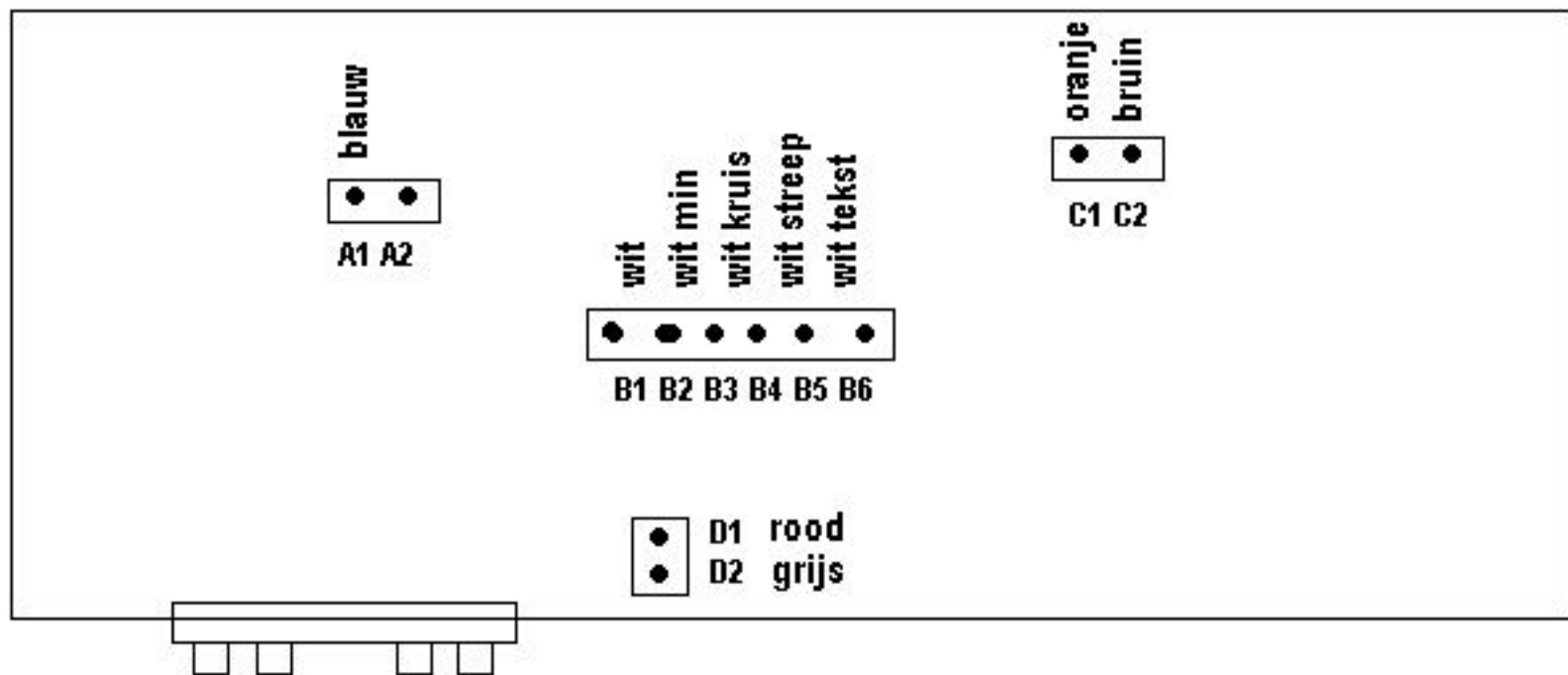
NOTE  
 UNLESS OTHERWISE SPECIFIED  
 ALL RESISTORS IN OHMS (1/4W (1))  
 ALL CAPACITORS IN  $\mu$ F (50WV (1))  
 (LL) = LOW LEAKAGE CAPACITOR

GX-625 PRE AMP  
 SCHEMATIC DIAGRAM  
 NO.3-3 1600446A



NOTE  
UNLESS OTHERWISE SPECIFIED  
ALL RESISTORS IN OHMS 1/4W (1)  
ALL CAPACITORS IN  $\mu$ F 50 WV (K)  
SILICON DIODES  $\rightarrow$  152473  
GERMANIUM DIODES  $\rightarrow$  15344  
PNP TRANSISTORS  $\rightarrow$  25A733 (P10)  
NPN TRANSISTORS  $\rightarrow$  25C945L (P10)

GX-625  
SCHEMATIC DIAGRAM  
NO. 3-2 1600445A



**Akai GX-625**