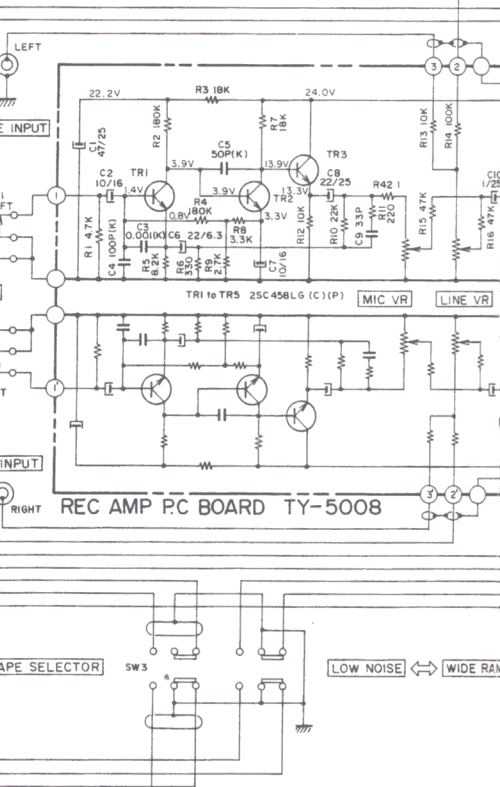
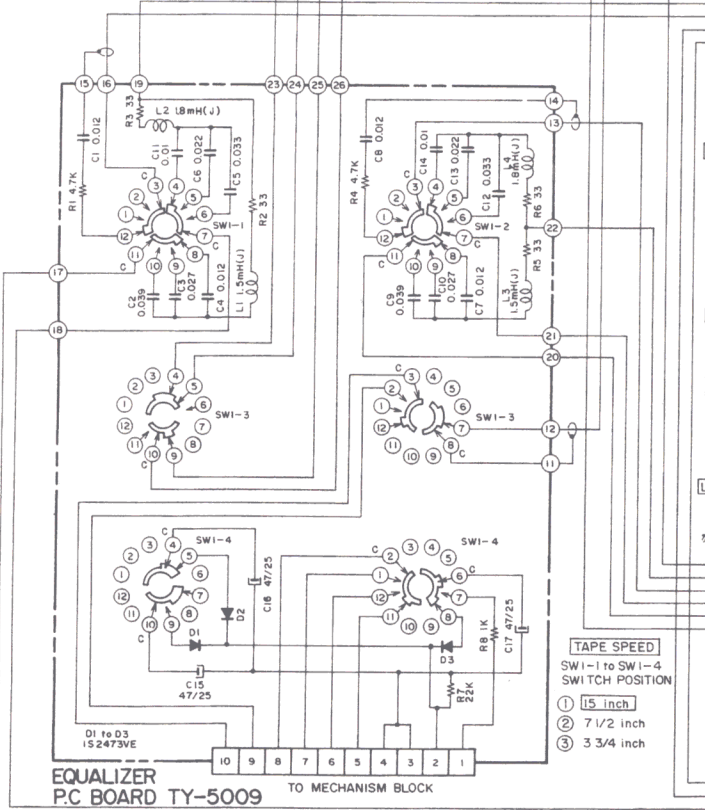
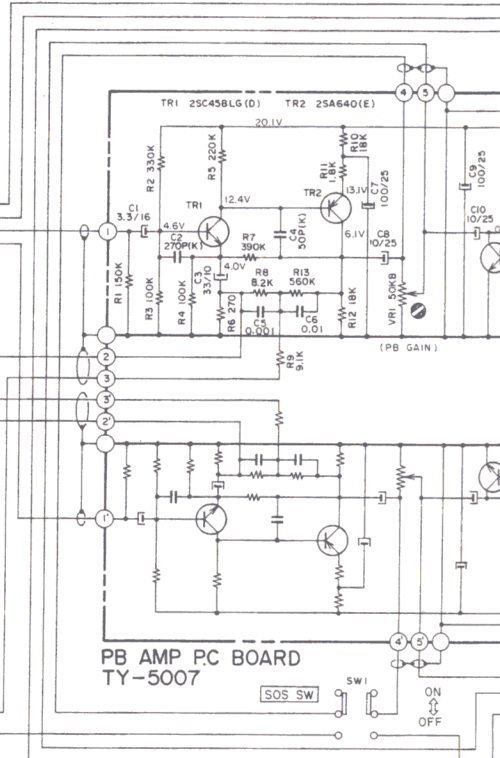
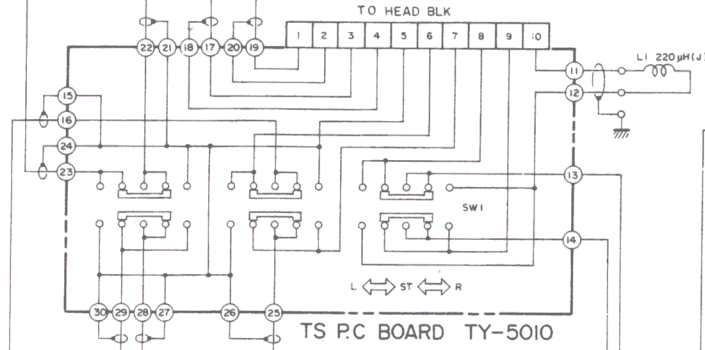
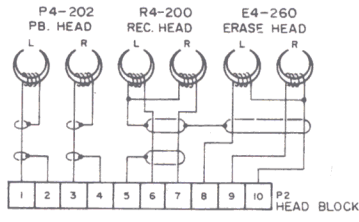
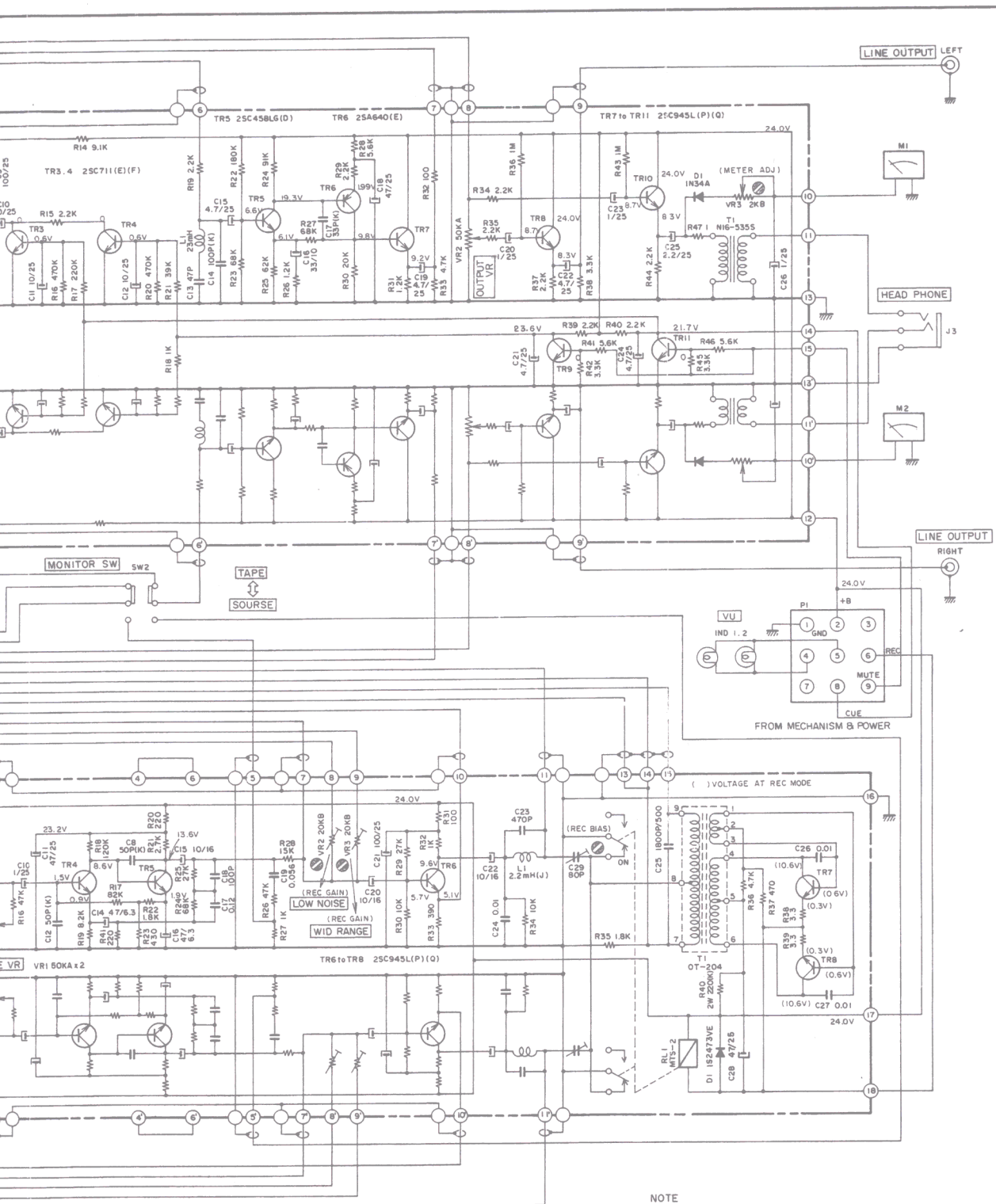


GX-650D



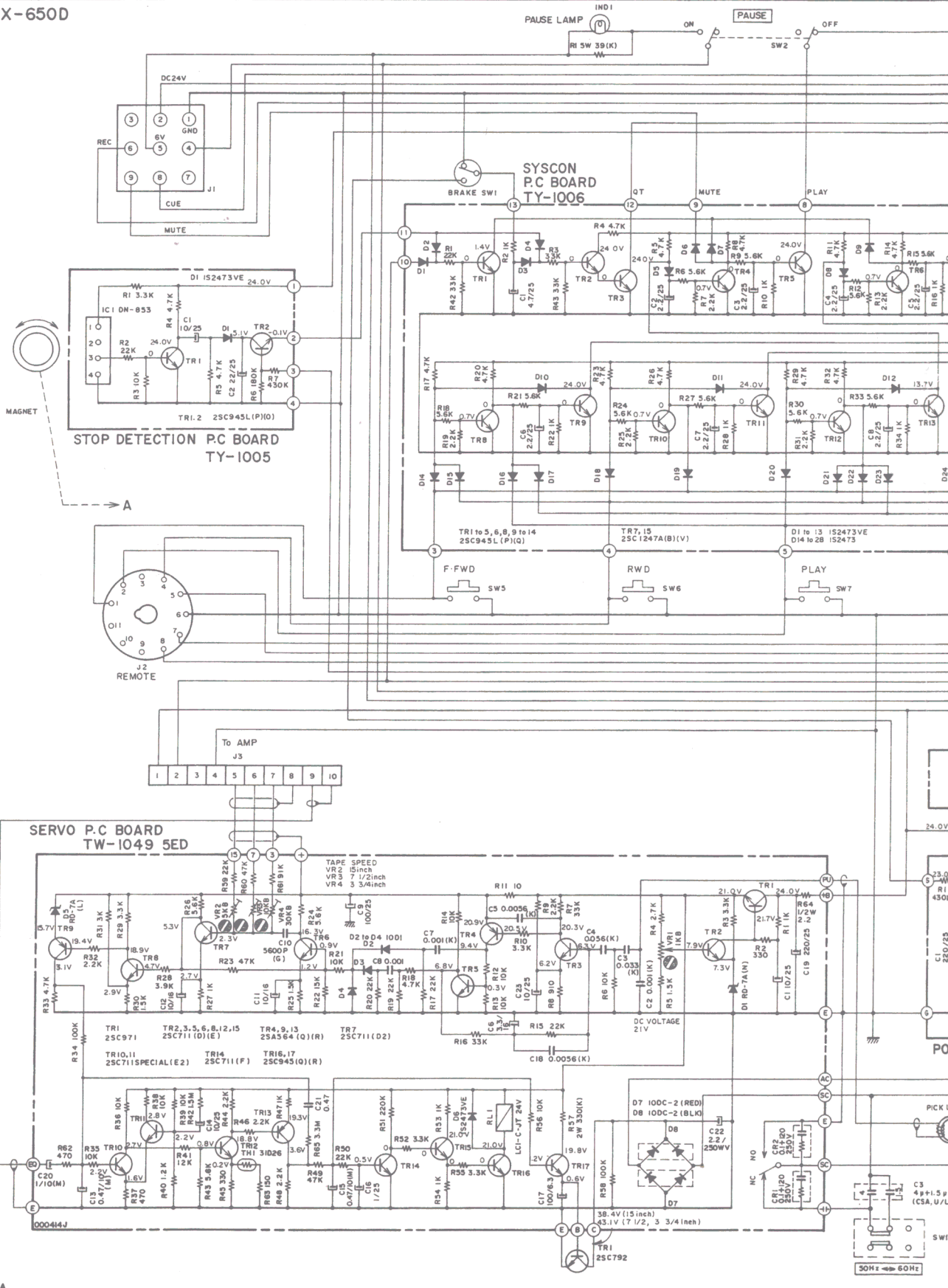
- TAPE SPEED
SWI-1 to SWI-4
SWITCH POSITION
- ① 15 inch
 - ② 7 1/2 inch
 - ③ 3 3/4 inch

EQUALIZER P.C. BOARD TY-5009 TO MECHANISM BLOCK

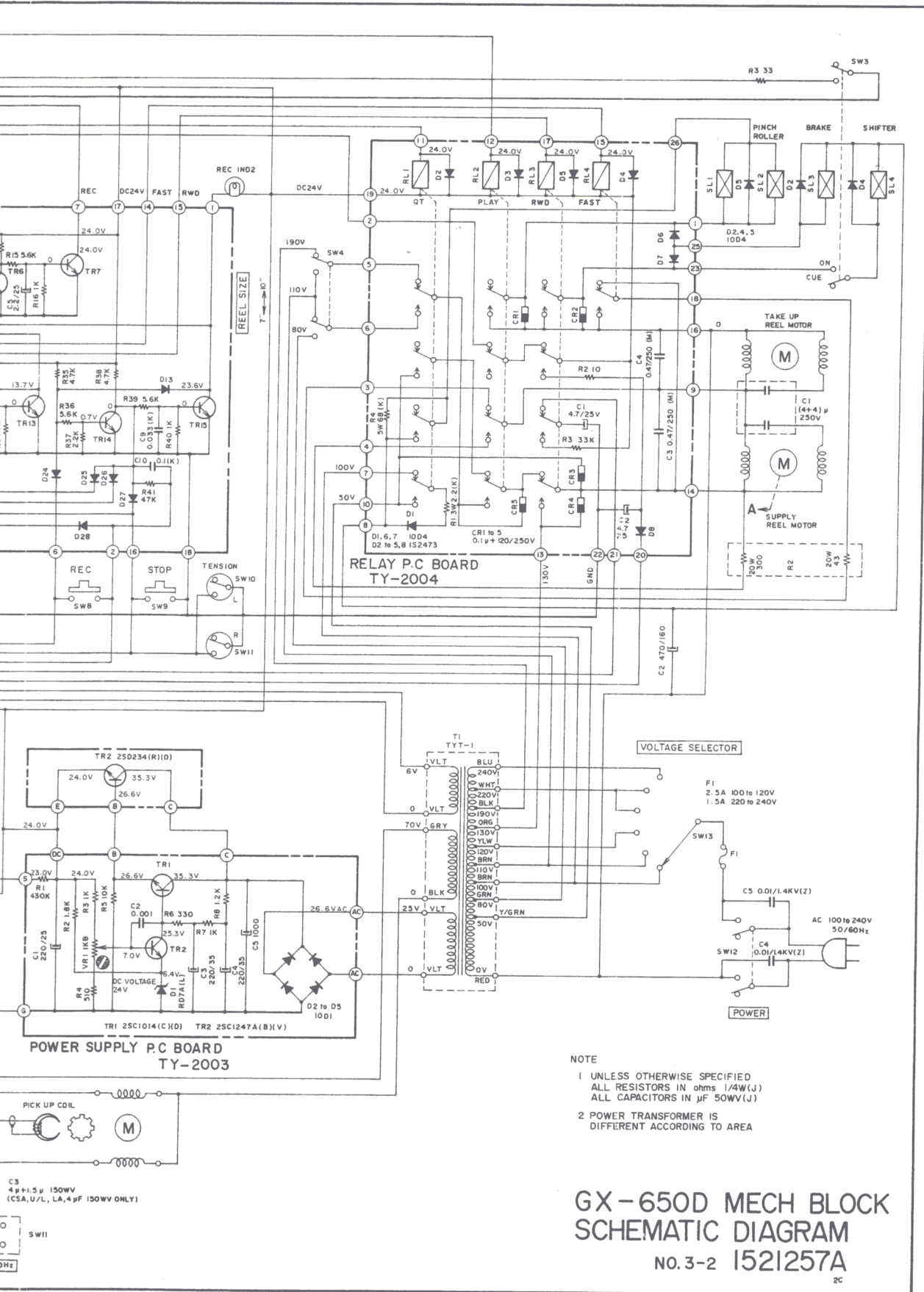


GX-650D AMP BLOCK
SCHEMATIC DIAGRAM
 NO.3-1 1521256A

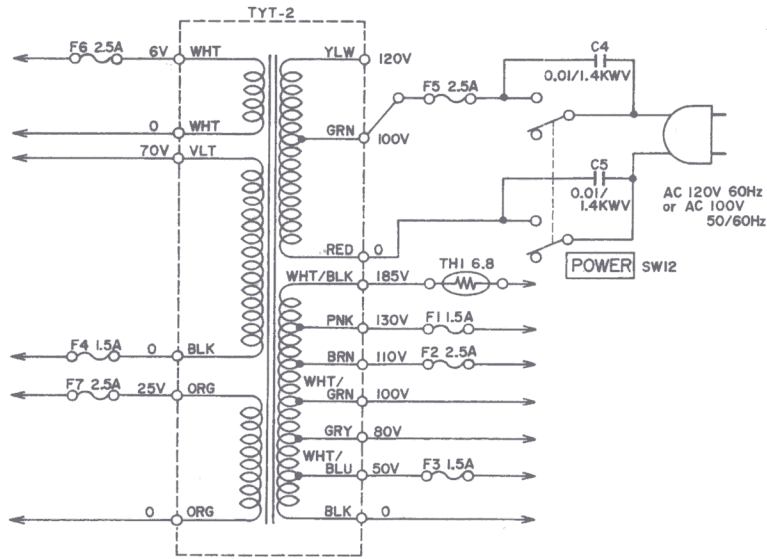
GX-650D



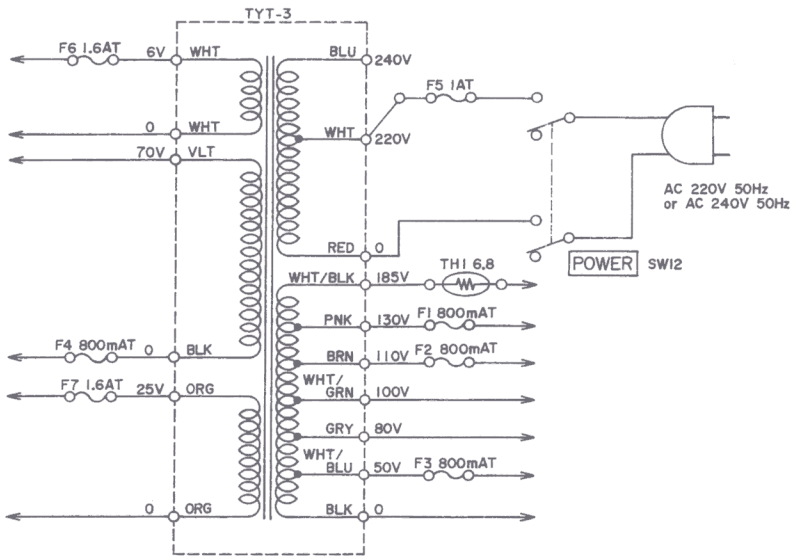
000794A



GX-650D



CSA/JPN



CEE/BSI

NOTE
POWER TRANSFORMER IS
DIFFERENT ACCORDING TO AREA

GX - 650D
POWER SUPPLY
SCHEMATIC DIAGRAM
NO. 3-3 1521258A