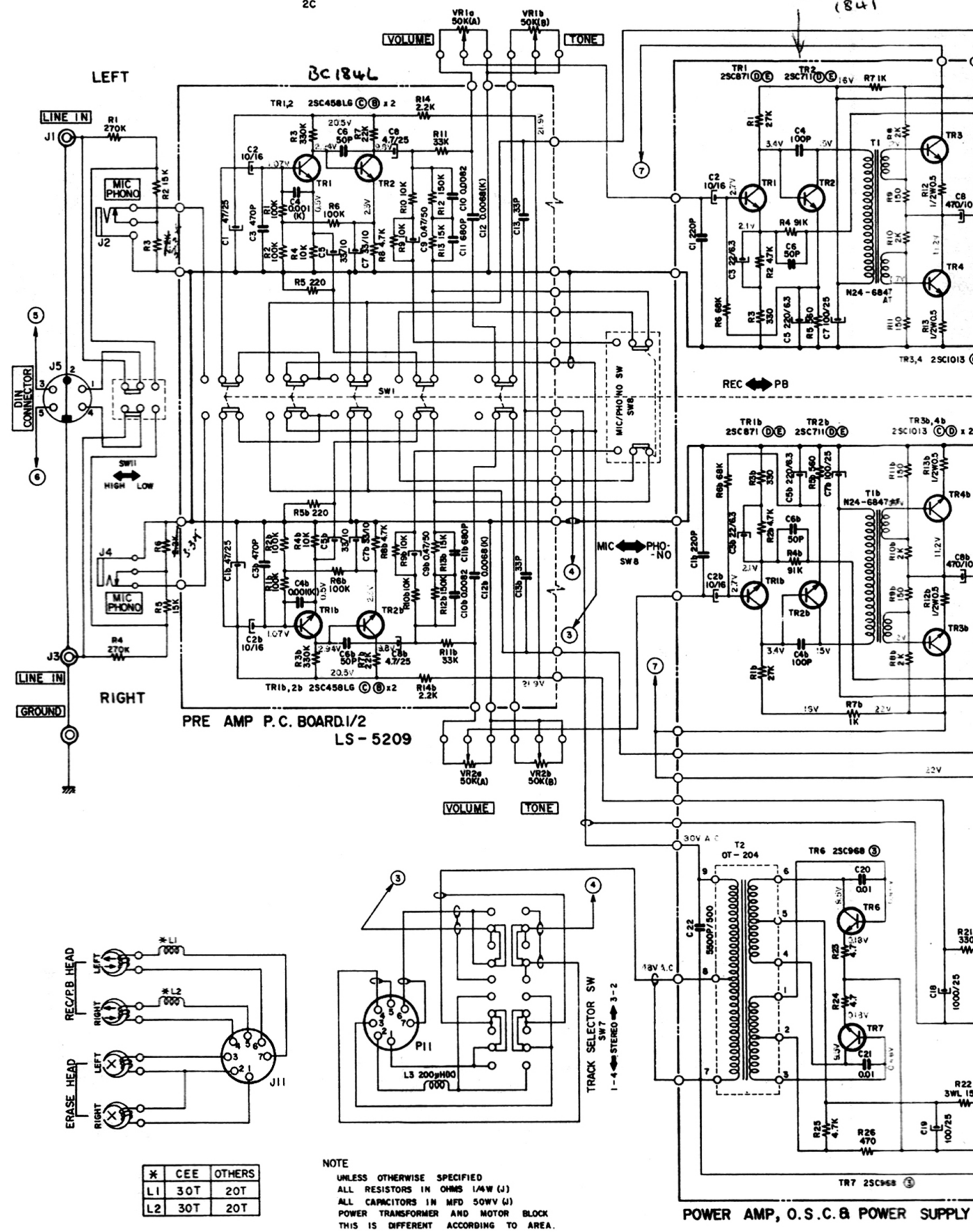


1721 W/L SCHEMATIC DIAGRAM NO.2-1 1441850A

2C



*	CEE	OTHERS
L1	30T	20T
L2	30T	20T

NOTE
UNLESS OTHERWISE SPECIFIED
ALL RESISTORS IN OHMS (1/4W (J))
ALL CAPACITORS IN MFD 50V (J)
POWER TRANSFORMER AND MOTOR BLOCK
THIS IS DIFFERENT ACCORDING TO AREA.

POWER AMP, O.S.C. & POWER SUPPLY

