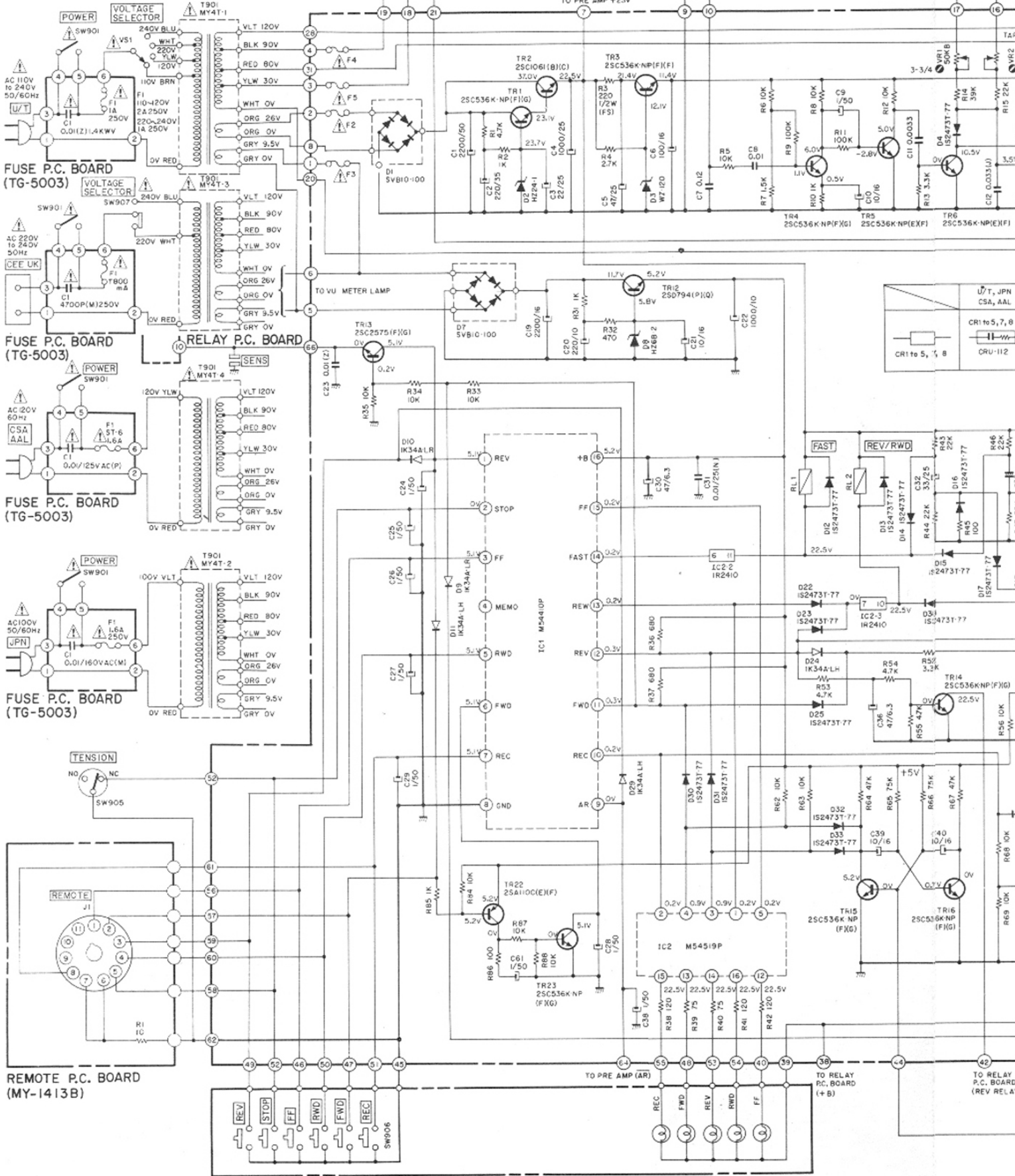


GX-255

	U/T, JPN	CSA, AAL	CEE, UK
F2	1A 250V	ST-6 1A	T 1A
F3	1A 250V	ST-6 1A	T 1A
F4	1A 250V	ST-6 1A	T630mA
F5	0.5A 250V	ST-6 0.5A	T500mA



FUSE P.C. BOARD (TG-5003)

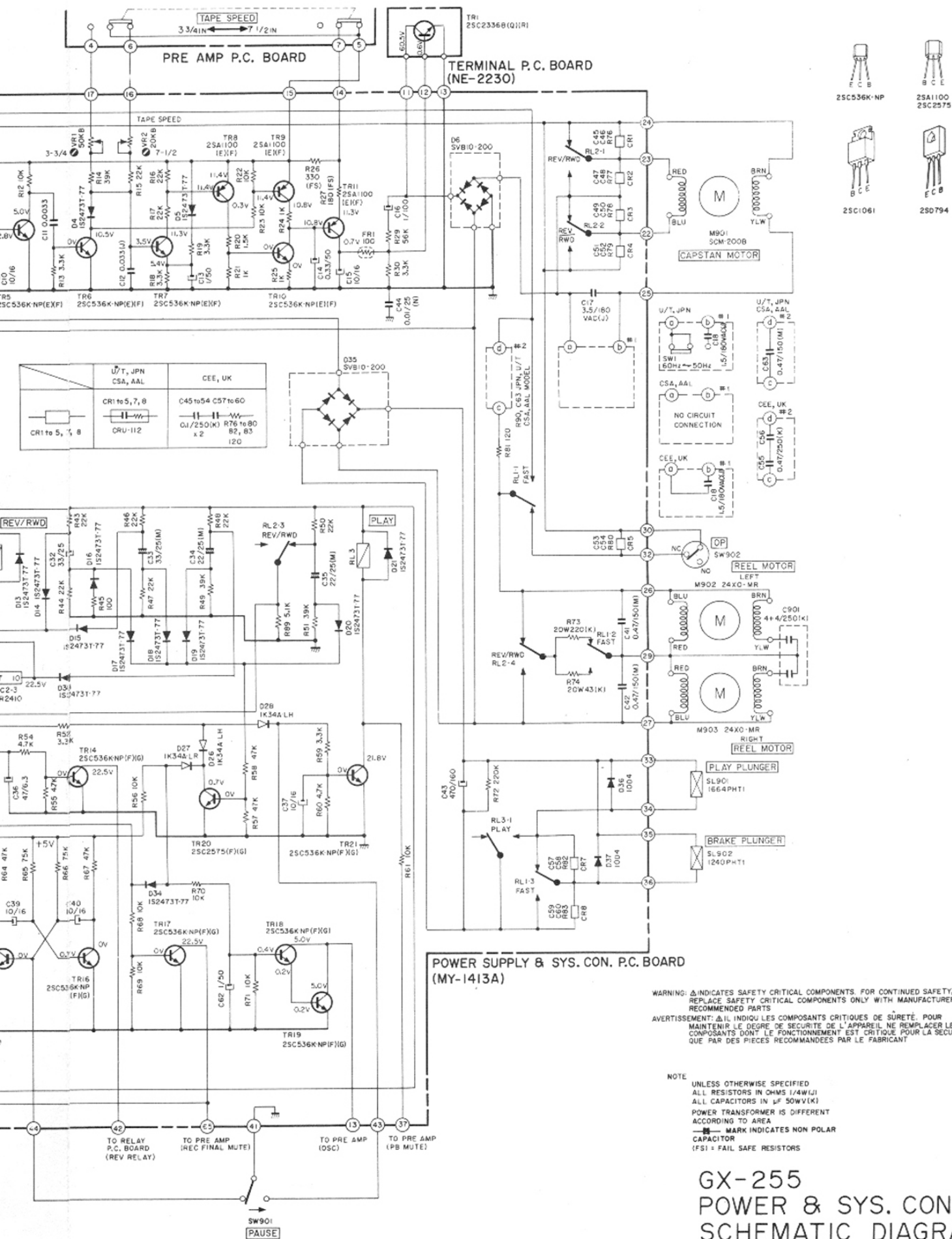
FUSE P.C. BOARD (TG-5003)

FUSE P.C. BOARD (TG-5003)

FUSE P.C. BOARD (TG-5003)

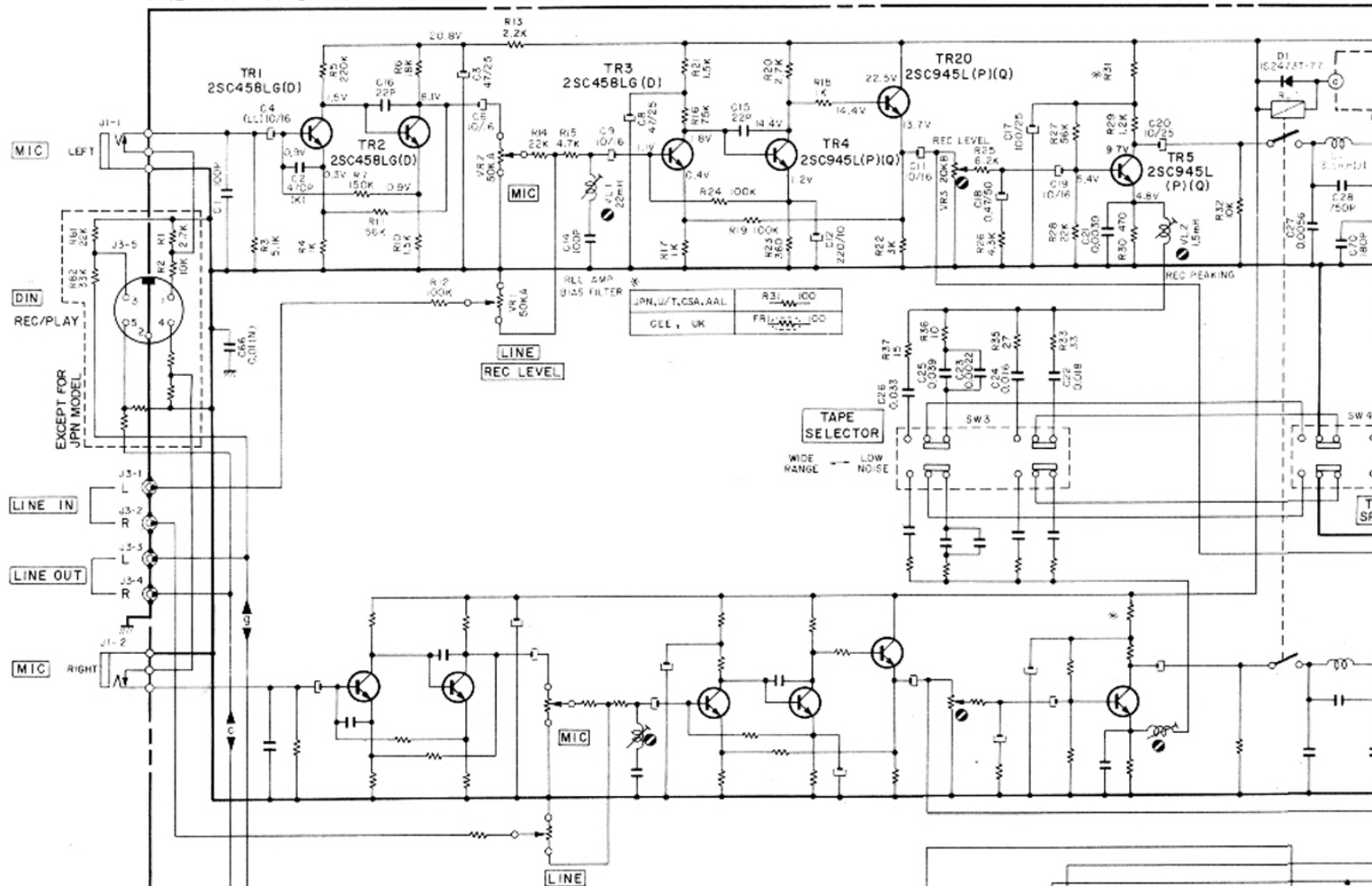
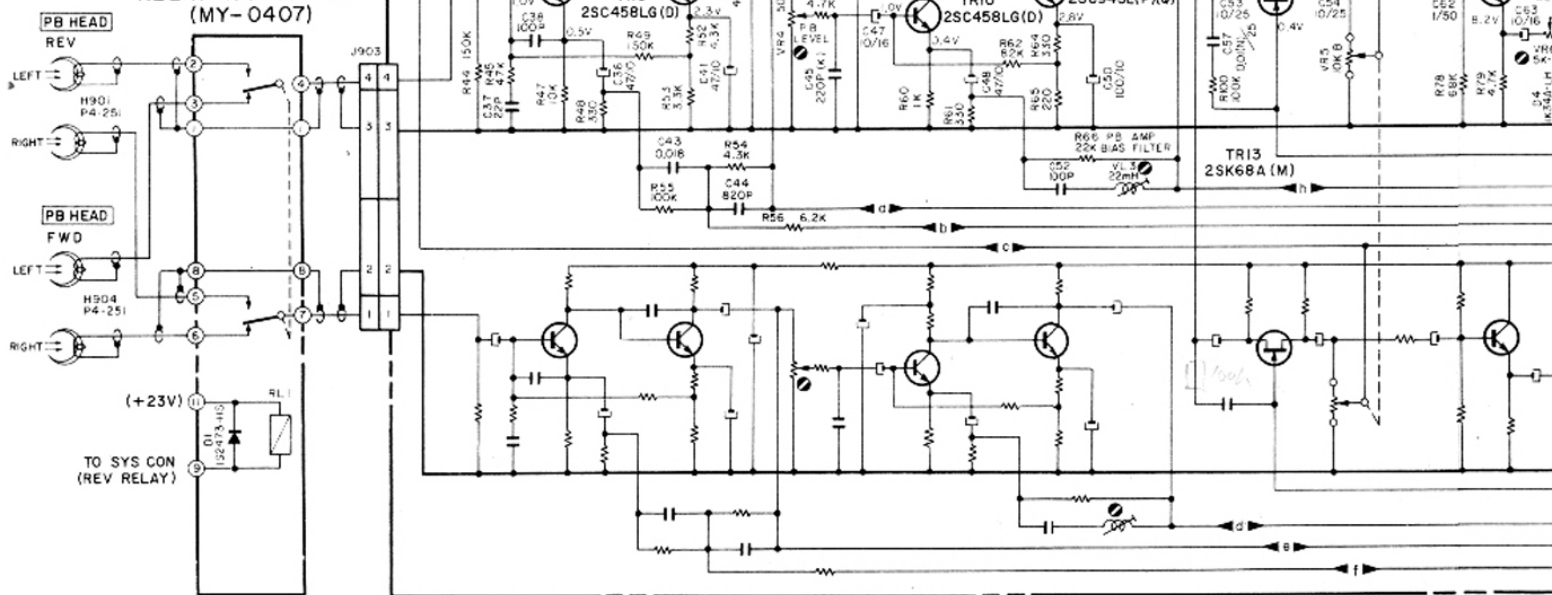
REMOTE P.C. BOARD (MY-1413B)

OPERATION BLK



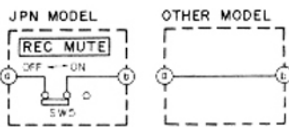
GX-255
POWER & SYS. CON
SCHEMATIC DIAGRAM
No. 2-1 1582212A

PRE AMP P.C BOARD

RELAY P.C BOARD
(MY-0407)

NOTE

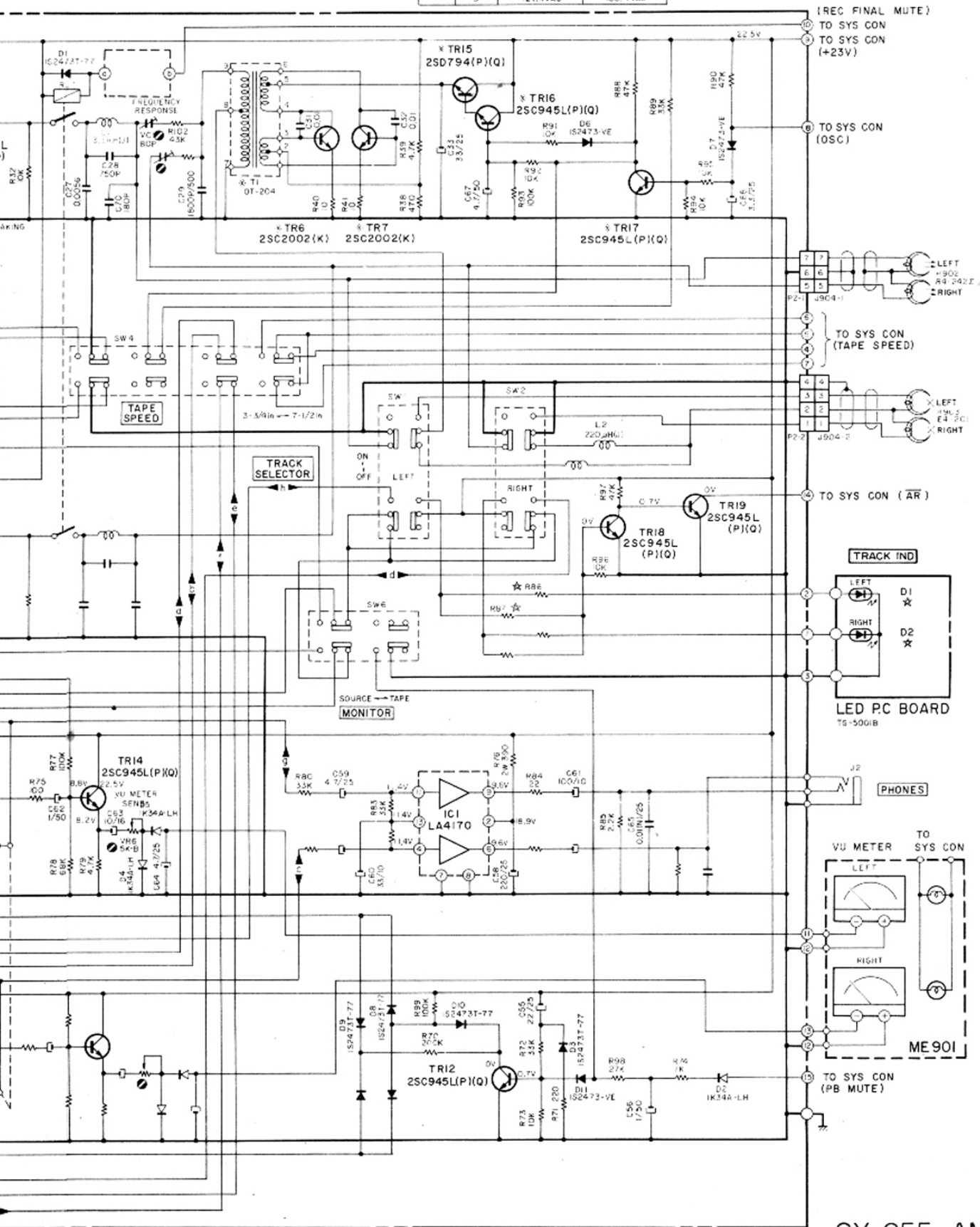
UNLESS OTHERWISE SPECIFIED
 ALL RESISTORS IN OHMS (1/4W 1%)
 ALL CAPACITORS IN μ F 50V (J)
 ILLI=LOW LEAKAGE CAPACITOR



* REC MODE

		7-1/2 in	5-1/4 in
* TR17	B	0.2V	0.2V
	C	19.1V	14.2V
	D	17.3V	14.2V
* TR16	E	16.8V	13.8V
	F	0.4V	0.4V
* TR6,7	1103	0.6V	0.6V
	4106	16.3V	3.2V
	B	74.3VAC	60.5VAC
	D	121.4VAC	100.4VAC

	R85	D1	D2
JPN, U/T, CSA, CFE, NAL, UK	4.3K	GL-9PR2	GL-9PR2
	1.5K	GL-9PG2	GL-9PG2



GX-255 AMP
SCHEMATIC DIAGRAM
NO.2-2 1582213 A