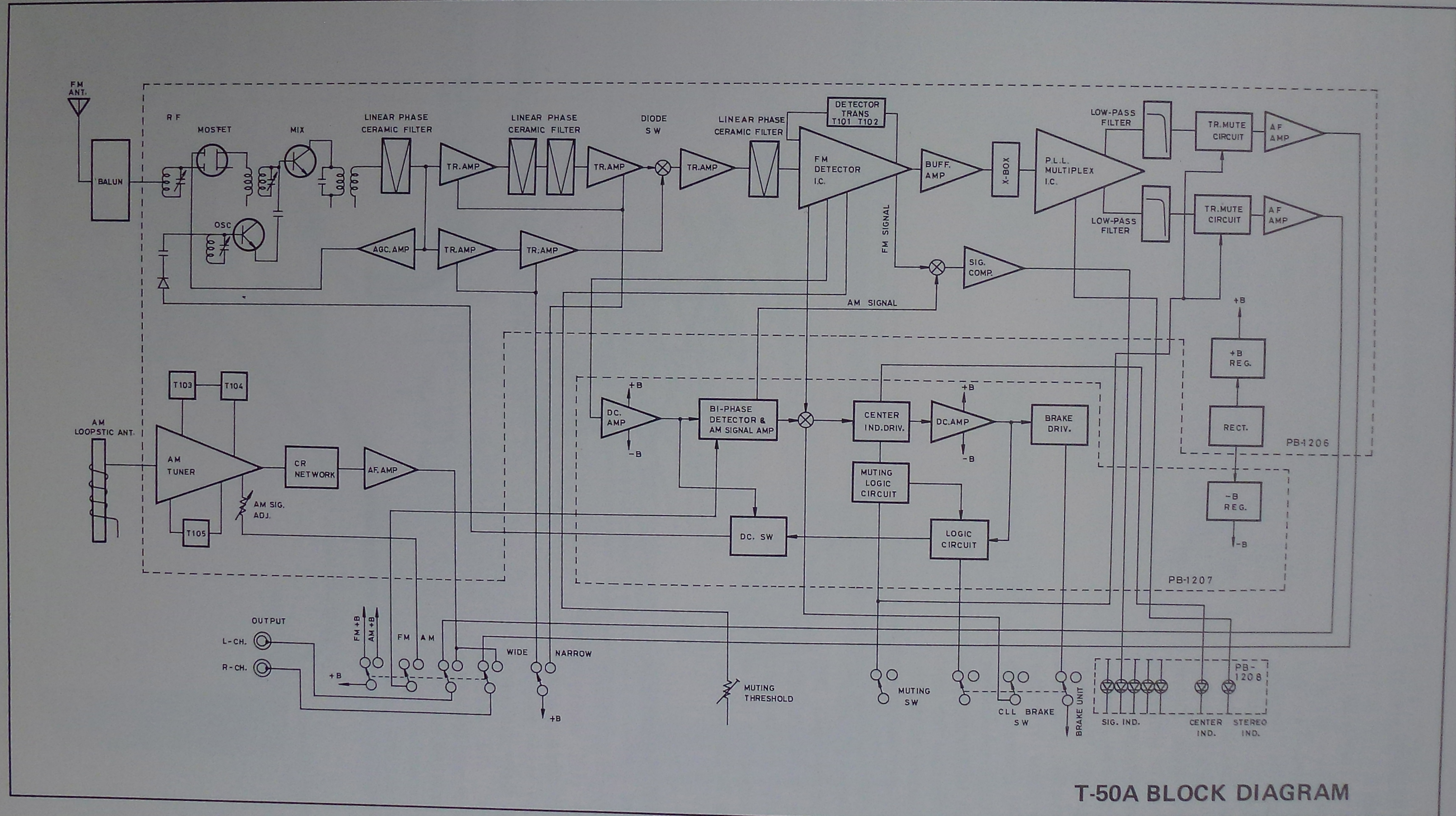


# BLOCK DIAGRAM



T-50A BLOCK DIAGRAM